

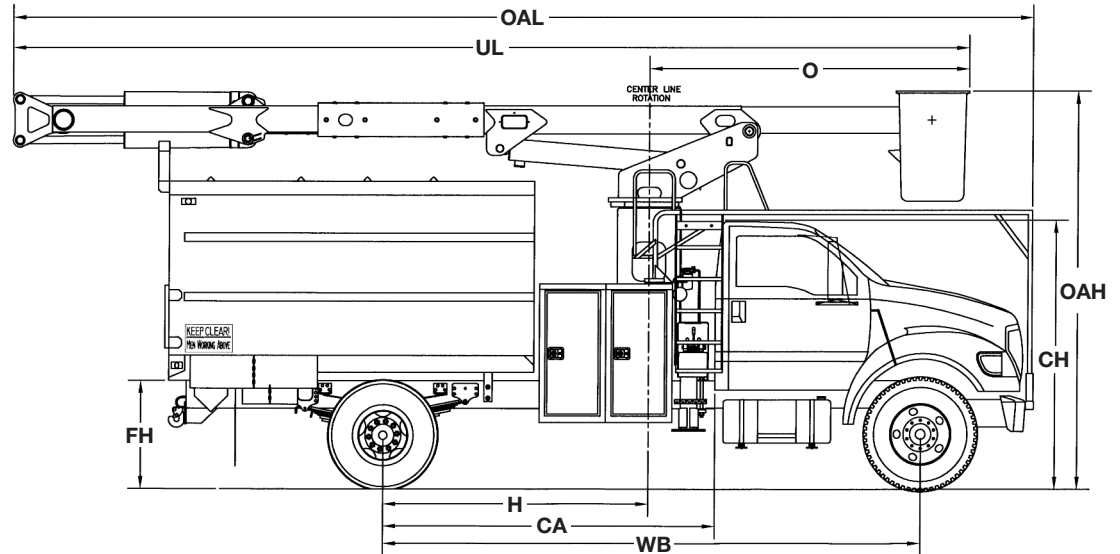


TEREX®

XT SERIES Hi-Ranger Overcenter Aerial Device For Tree Trimming

AERIAL DEVICES

Terex® Hi-Ranger Aerial Devices are known throughout the industry. They come with a long history featuring quality and innovative design.



| Measurements | XT55 | | XT60 | | XT55/65 | | XT60/70 | |
|------------------------------------|---|---------------------------|---|---------------------------|---|---------------------------|---|---------------------------|
| | ORA | BC | ORA | BC | ORA | BC | ORA | BC |
| Typical Frame Height (FH) | 40 in. (101.6 cm) | | 40 in. (101.6 cm) | | 40 in. (101.6 cm) | | 40 in. (101.6 cm) | |
| Typical Cab Height (CH) | 108 in. (274.3 cm) | | 108 in. (274.3 cm) | | 108 in. (274.3 cm) | | 108 in. (274.3 cm) | |
| Offset (O) | 73.5 in. (186.7 cm) | 115.5 in. (293.4 cm) | 73.5 in. (186.7 cm) | 143.5 in. (364.5 cm) | 73.5 in. (186.7 cm) | 115.5 in. (293.4 cm) | 73.5 in. (186.7 cm) | 115.5 in. (293.4 cm) |
| Overall Height (OAH) | 10' 4" (3.1 m) | 11' 9" (3.6 m) | 10' 5" (3.2 m) | 11' 10" (3.6 m) | 11' 9" (3.6 m) | | 11' 10" (3.6 m) | |
| Overall Length (OAL) | 27' 6" (8.4 m) | 29' 10" (9.1 m) | 30' 0" (9.2 m) | 32' 11" (10.0 m) | 27' 6" (8.4 m) | 30' 2" (9.2 m) | 30' 0" (9.2 m) | 33' 6" (10.2 m) |
| Unit Length (UL) | 27' 1" (8.2 m) | 28' 10" (8.8 m) | 29' 7" (9.0 m) | 32' 6" (9.9 m) | 27' 1" (8.2 m) | 28' 10" (8.8 m) | 29' 7" (9.0 m) | 32' 6" (9.9 m) |
| Center of Rotation (H) | 21.5 in. (54.6 cm) | 96.3 in. (244.6 cm) | 21.5 in. (54.6 cm) | 114.3 in. (290.3 cm) | 27.75 in. (70.5 cm) | 91.8 in. (233.2 cm) | 27.75 in. (70.5 cm) | 109.8 in. (278.9 cm) |
| Cab to Axle (CA) | 102 in. (259 cm) | 120 in. (304.8 cm) | 120 in. (304.8 cm) | 138 in. (350.5 cm) | 102 in. (259 cm) | 120 in. (304.8 cm) | 120 in. (304.8 cm) | 138 in. (350.5 cm) |
| Wheel Base (WB) | 174 in. (442.0 cm) | 192 in. (487.7 cm) | 192 in. (487.7 cm) | 210 in. (533.4 cm) | 174 in. (442.0 cm) | 192 in. (487.7 cm) | 192 in. (487.7 cm) | 210 in. (533.4 cm) |
| Front Axle (GAWR) | 10,500 lb. (4,763 kg) | 9,000 lb. (4,082 kg) | 10,500 lb. (4,763 kg) | | 10,000 lb. (4,536 kg) | 12,000 lb. (5,443 kg) | 10,500 lb. (4,763 kg) | 14,000 lb. (6,350 kg) |
| Rear Axle (GAWR) | 15,000 lb. (6,804 kg) | 17,000 lb. (7,711 kg) | 15,000 lb. (6,804 kg) | 17,000 lb. (7,711 kg) | 19,000 lb. (8,618 kg) | | 19,000 lb. (8,618 kg) | |
| Gross Vehicle Weight Rating (GVWR) | 25,000 lb. (11,340 kg) | 26,000 lb. (11,793 kg) | 25,500 lb. (11,567 kg) | 27,500 lb. (12,474 kg) | 29,000 lb. (13,154 kg) | 31,000 lb. (14,061 kg) | 29,500 lb. (13,381 kg) | 33,000 lb. (14,969 kg) |
| Recommended Weight For Stability | 19,000 lb. (8,618 kg) | | 21,000 lb. (9,525 kg) | | 19,000 lb. (8,618 kg) | | 21,000 lb. (9,525 kg) | |
| Frame Section Modulus | 15.9 in ³ 18.0 in ³ | | 15.9 in ³ 18.0 in ³ | | 15.9 in ³ 18.0 in ³ | | 15.9 in ³ 18.0 in ³ | |
| Frame Yield Strength | 50,000 psi | | 50,000 psi | | 50,000 psi | | 50,000 psi | |
| Frame RBM | 795,000 in-lbs | | 795,000 in-lbs 900,000 in-lbs | | 795,000 in-lbs 900,000 in-lbs | | 795,000 in-lbs 900,000 in-lbs | |



TEREX®

500 Oakwood Drive
PO BOX 1150
Watertown, SD 57201-6150
USA

Phone: (605) 882-4000
Facsimile: (605) 882-1842
www.terexutilities.com
E-mail: utilities.info@terex.com

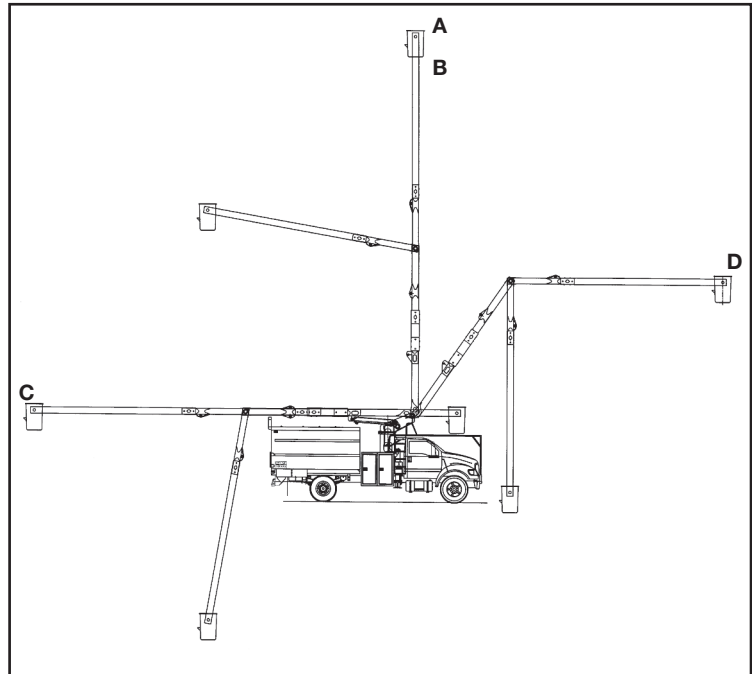
Distributed By:

XT SERIES

Hi-Ranger Overcenter Aerial Device For Tree Trimming

STANDARD EQUIPMENT

- Side Mounted 24" x 24" x 40" One Person Platform
- Platform Capacity of up to 350 lbs. (159 Kg)
- Control-Plus "3-D" Single Stick at Platform
- Safety Harness With Attached Lanyard
- Continuous Unrestricted Worm Gear Rotation
- Category "C" Rating Per ANSI A92.2
- Rectangular, Bi-Axial Epoxy Resin, Filament Wound Fiberglass Booms
- Individual Lever Lower Controls
- Mechanical Platform Leveling
- Two Speed Throttle Control at Upper Controls
- Full Pressure, Open-Center Hydraulic System
- 35 Gallon Hydraulic Oil Reservoir
- Padded Boom Rests with Upper Boom Tie Down
- Boom Interlock
- Moving Outrigger Alarm
- Truck Level Indicator



CAPACITIES & DIMENSIONAL DATA (Based on a 40 Inch Frame Height)

| | A | B | C | D | E | F |
|---------|---------------------------|-------------------|-----------------------|---------------------------|-------------------------|-------------------------|
| | Bottom of Platform Height | Working Height | Overcenter Side Reach | Non-Overcenter Side Reach | Upper Boom Articulation | Lower Boom Articulation |
| XT55 | 55.0 ft. (16.8 m) | 60.0 ft. (18.3 m) | 44.9 ft. (13.7 m) | 42.5 ft. (12.9 m) | 260° | 125° |
| XT60 | 60.0 ft. (18.3 m) | 65.0 ft. (19.8 m) | 49.9 ft. (15.2 m) | 44.9 ft. (13.7 m) | 245° | 120° |
| XT55/65 | 65.0 ft. (19.8 m) | 70.0 ft. (21.3 m) | 44.9 ft. (13.7 m) | 42.5 ft. (12.9 m) | 260° | 125° |
| XT60/70 | 70.0 ft. (21.3 m) | 75.0 ft. (22.9 m) | 49.9 ft. (15.2 m) | 44.9 ft. (13.7 m) | 245° | 120° |

All dimensions and figures based on Behind Cab Mount

OPTIONAL EQUIPMENT

- Side Mount 24" x 30" x 42" One Person Platform
- Various Platform Covers
- Liners With or Without Steps
- Hydraulic or Manual Platform Tilt
- Category "B" Rating per ANSI A92.2
- Lower Boom Lifting Eye
- Automatic Upper Boom Latch
- Hydraulic Lifts: 10 ft. Transverse
- Engine Stop/Start
- Auxiliary Power
- Auxiliary Let Down System
- Demand Throttle
- Boom Overstow Protection
- Boom/Boom Stow Interlock
- Boom Storage Warning Light
- Various Types of Outriggers
- Truck Grounding Cable & Clamp
- Hybrid Enable
- HyPower™ Hybrid System by Terex®

Effective Date: March, 2010. Product specifications and prices are subject to change without notice or obligation. The photographs and/or drawings in this document are for illustrative purposes only. Refer to the appropriate Operator's Manual for instructions on the proper use of this equipment. Failure to follow the appropriate Operator's Manual when using our equipment or to otherwise act irresponsibly may result in serious injury or death. The only warranty applicable to our equipment is the standard written warranty applicable to the particular product and sale and Terex makes no other warranty, express or implied. Products and services listed may be trademarks, service marks or trade-names of Terex Corporation and/or its subsidiaries in the USA and other countries. All rights are reserved. Terex® is a registered trademark of Terex Corporation in the USA and many other countries. Copyright 2010 Terex Corporation.