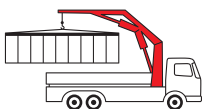


PK 13002 / PK 14002 · EH

High Performance

PALFINGER CRANE



KTL
protected

**Paltronic
50**
controlled

RRC^{*)}
Radio Remote Control
operated

ISC^{*)}
Integrated Stability Control
monitored

AOS^{*)}
Active Oscillation Suppression
inside

Crane concept for versatile use

Power Link Plus. Flexibility at its best.

The PK 13002 *High Performance* has an impressively wide performance range. Used in the municipal sector, for transporting building materials or in classic unit load handling, it demonstrates its high level of flexibility and reliability on a daily basis. The PK 14002 EH *High Performance* is impressive in its class due to innovative technology, functional design and equipment features that define today's state-of-the-art truck-mounted crane.



Crane performance at the highest level



A synergy of function and design



Power Link Plus

This knuckle boom, specially developed by PALFINGER which can be angled upwards stands out by virtue of excellent movement geometry. Even in the tightest spaces difficult crane jobs can be performed with precision.



Maintenance-free extension system

With the maintenance-free extension system PALFINGER sets a clear path in easy servicing. The use of sliding elements made of special plastic in combination with the proven KTL cathodic dip painting means that the extension boom system no longer has to be serviced by the operator. This not only saves time and expense but also protects the environment.



Control console

All important information about the crane can be seen on the main control stand. A digital indicator counts and displays the operating hours. Ergonomic control levers and the optional lighting package provide increased safety and comfort even in poor visibility conditions.



Functional Design

Functional Design elements increase working comfort, protect against damage and make servicing and maintenance easier. The spiral tube hose optimally protects the hydraulic hoses from environmental influences, damage and dirt. Thanks to the patented interlock system, the crane is equipped with an innovative outrigger safety system for manual stabilizer supports.



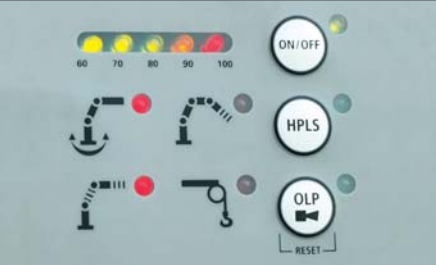
Lighting package (optional)

The control stand is supplied on request with LED illumination and backlit symbols. LED warning lights are fitted on the outriggers to provide better visibility.



Radio remote control

Radio remote control with digital data transmission (standard on EH models) offers maximum efficiency and comfort. The display integrated in the handset informs the crane operator continuously about the current capacity loading level of the crane.



PALTRONIC 50

Modern electronics in the increasingly complex crane system offers safety and comfort functions which make the crane operator's work easier and increases the efficiency of the crane job.

Outstanding power to weight ratio

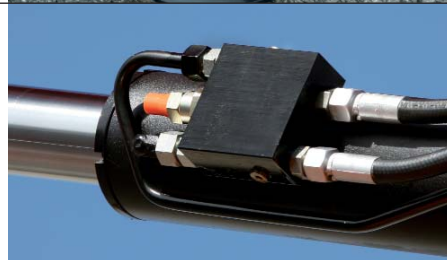
Outrigger system

All the outriggers are fitted as standard with a ball-jointed support plate that can be swivelled through 10°. This enables them to adapt optimally to the ground. The enlarged plate also reduces the pressure on the ground. Three outrigger widths are available: 5.0 m, 16' 5" (mechanical), 5.6 m, 18' 4" (mechanical or hydraulic) and 6.6 m, 21' 8" (hydraulic). The crane's stabilizer cylinders can be pivoted fully hydraulically upwards through 180° (optional equipment).



Load-holding valve

They prevent the crane boom from dropping and are fitted as standard on all slewing, lifting, knuckle-boom and extension cylinders. The valves are positioned in such a way that they are protected against damage.



Hose equipment for auxiliary equipment

Hoses providing oil supply for auxiliary equipment are routed in compact trays and protective chains. A clean design offers maximum service life. There is also an optional solution with hose drum on the main boom with the hoses guided on the inside in the extension system for protection.



Return oil utilisation

The high speed of the extension system is impressive. It results from return oil utilisation, which is installed as standard, and the generously dimensioned hydraulic lines. This increases efficiency in all types of applications!



KTL – the cathodic dip painting

The shot-blasted crane parts are covered in zinc phosphate in an immersion process and coated electro-statically. The subsequent two-component top coating of paint provides a surface protection which in the past was usually only found in the automotive industry.



ISC (optional)*

The integrated stability control (ISC) is a system that monitors the stability of the crane vehicle. The system adjusts the crane's lifting forces depending on the current stability support situation and the crane boom to ensure the vehicle's stability over the entire working area.

* ISC or an alternative system for monitoring stability is mandatory in the version compliant with EN12999:2009.



AOS (optional)

The Active Oscillation Suppression system available exclusively from PALFINGER compensates for jolts and sharp stress cycles caused by crane operation. Because oscillations are eradicated the crane can work with precision, much faster and therefore more cost-efficiently.



PK 13002 High Performance

Max. lifting capacities

A

Max. lifting capacities	6100 kg	13440 lbs
Outreach	Capacity	
hydraulic		
3.9 m	12' 10"	2950 kg 6500 lbs
5.9 m	19' 4"	1900 kg 4200 lbs
7.9 m	25' 11"	1400 kg 3100 lbs

B

Max. lifting capacities	6000 kg	13200 lbs
Outreach	Capacity	
hydraulic		
4.0 m	13' 1"	2800 kg 6100 lbs
6.0 m	19' 8"	1760 kg 3900 lbs
8.0 m	26' 3"	1280 kg 2850 lbs
10.1 m	33' 2"	1000 kg 2200 lbs
12.4 m*	40' 8"	740 kg 1630 lbs
14.6 m*	47' 11"	570 kg 1260 lbs

C

Max. lifting capacities	5850 kg	12890 lbs
Outreach	Capacity	
hydraulic		
4.1 m	13' 5"	2650 kg 5900 lbs
6.1 m	20' 0"	1660 kg 3650 lbs
8.1 m	26' 7"	1180 kg 2600 lbs
10.2 m	33' 6"	890 kg 1960 lbs
12.4 m	40' 8"	730 kg 1600 lbs
14.6 m*	47' 11"	560 kg 1240 lbs
16.8 m*	55' 1"	440 kg 970 lbs

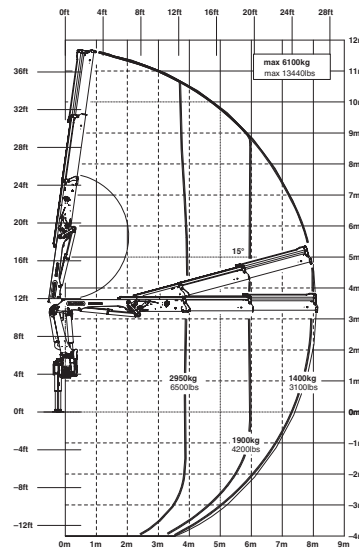
D

Max. lifting capacities	5750 kg	12670 lbs
Outreach	Capacity	
hydraulic		
4.2 m	13' 9"	2550 kg 5600 lbs
6.2 m	20' 4"	1560 kg 3450 lbs
8.2 m	26' 11"	1080 kg 2400 lbs
10.3 m	33' 10"	800 kg 1760 lbs
12.5 m	41' 0"	630 kg 1400 lbs
14.6 m	47' 11"	530 kg 1160 lbs
16.8 m*	55' 1"	410 kg 900 lbs
18.8 m*	61' 8"	340 kg 750 lbs

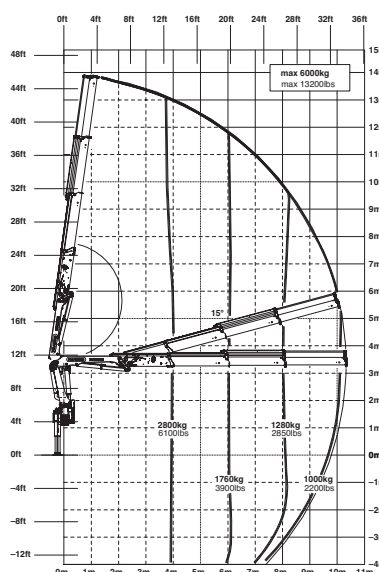
E

Max. lifting capacities	5650 kg	12450 lbs
Outreach	Capacity	
hydraulic		
4.3 m	14' 1"	2400 kg 5300 lbs
6.3 m	20' 8"	1460 kg 3200 lbs
8.3 m	27' 3"	980 kg 2150 lbs
10.4 m	34' 1"	700 kg 1540 lbs
12.6 m	41' 4"	540 kg 1180 lbs
14.7 m	48' 3"	440 kg 960 lbs
16.8 m	55' 1"	370 kg 820 lbs
18.9 m*	62' 0"	300 kg 660 lbs

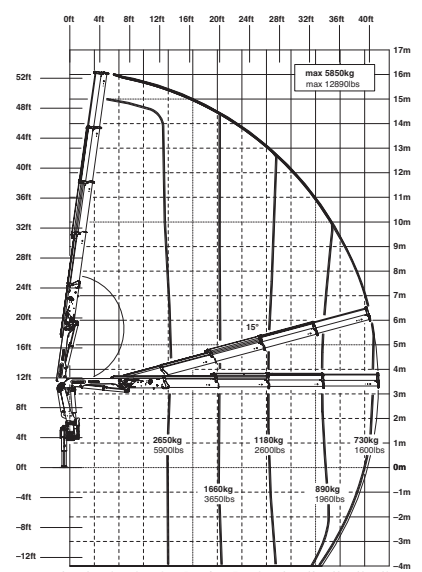
A



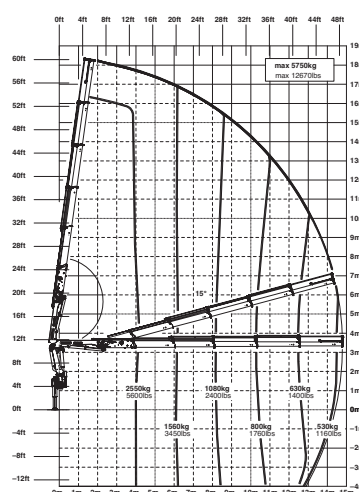
B



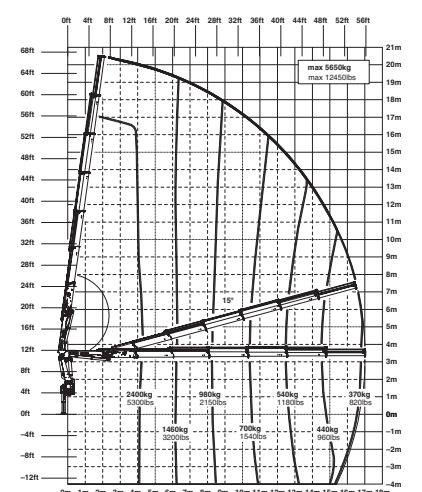
C



D



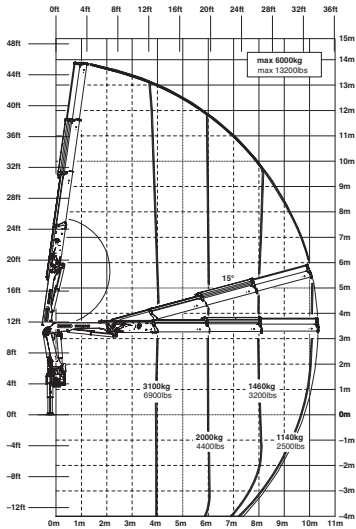
E



The outreaches stated are with a boom angle of 20° and are therefore not the maximum.

PK 14002 EH High Performance

B



Package model PK 14002 EH:

- E-HPLS
- Paltronic 50
- Radio remote control with LED display
- Danfoss control valve or PVG2000
- 8.5 kW oil cooler
- 140 l oil tank

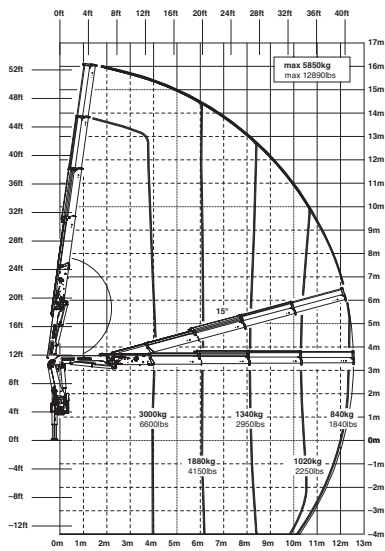
Max. lifting capacities

A		Capacity	Capacity
Max. lifting capacities	6100 kg	13440 lbs	
Outreach			
3.9 m	12' 10"	3250 kg	7200 lbs
5.9 m	19' 4"	2150 kg	4700 lbs
7.9 m	25' 11"	1580 kg	3500 lbs

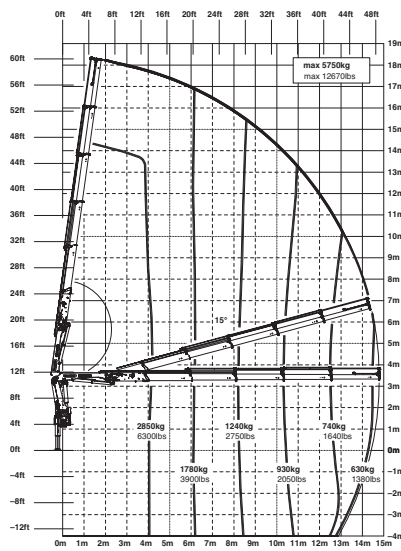
B

B		Capacity	Capacity
Max. lifting capacities	6000 kg	13200 lbs	
Outreach			
4.0 m	13' 1"	3100 kg	6900 lbs
6.0 m	19' 8"	2000 kg	4400 lbs
8.0 m	26' 3"	1460 kg	3200 lbs
10.1 m	33' 2"	1140 kg	2500 lbs
12.4 m*	40' 8"	860 kg	1900 lbs
14.6 m*	47' 11"	670 kg	1480 lbs

C



D



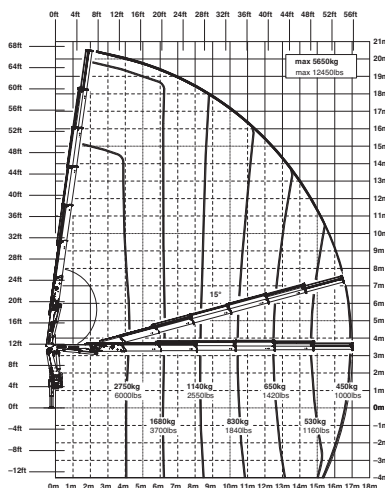
C

C		Capacity	Capacity
Max. lifting capacities	5850 kg	12890 lbs	
Outreach			
4.1 m	13' 5"	3000 kg	6600 lbs
6.1 m	20' 0"	1880 kg	4150 lbs
8.1 m	26' 7"	1340 kg	2950 lbs
10.2 m	33' 6"	1020 kg	2250 lbs
12.4 m	40' 8"	840 kg	1840 lbs
14.6 m*	47' 11"	660 kg	1460 lbs
16.8 m*	55' 1"	530 kg	1170 lbs

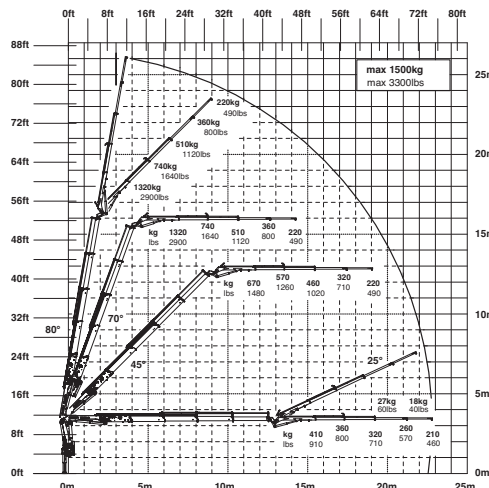
D

D		Capacity	Capacity
Max. lifting capacities	5750 kg	12670 lbs	
Outreach			
4.2 m	13' 9"	2850 kg	6300 lbs
6.2 m	20' 4"	1780 kg	3900 lbs
8.2 m	26' 11"	1240 kg	2750 lbs
10.3 m	33' 10"	930 kg	2050 lbs
12.5 m	41' 0"	740 kg	1640 lbs
14.6 m	47' 11"	630 kg	1380 lbs
16.8 m*	55' 1"	500 kg	1100 lbs
18.8 m*	61' 8"	410 kg	900 lbs

E



C PJ040A JV2



E

E		Capacity	Capacity
Max. lifting capacities	5650 kg	12450 lbs	
Outreach			
4.3 m	14' 1"	2750 kg	6000 lbs
6.3 m	20' 8"	1680 kg	3700 lbs
8.3 m	27' 3"	1140 kg	2550 lbs
10.4 m	34' 1"	830 kg	1840 lbs
12.6 m	41' 4"	650 kg	1420 lbs
14.7 m	48' 3"	530 kg	1160 lbs
16.8 m	55' 1"	450 kg	1000 lbs
18.9 m*	62' 0"	370 kg	820 lbs

* mechanical extension

PK 13002 High Performance

Technical Specifications (EN 12999 HC1 HD4/B3)

Max. lifting moment	12.0 mt/117.7 kNm	86780 ft.lbs
Max. lifting capacity	6200 kg/60.8 kN	13670 lbs
Max. hydraulic outreach	17.0 m	55' 9"
Max. manual outreach	19.0 m	62' 4"
Slewing angle	420°	
Slewing torque	1.6 mt/15.7 kNm	11580 ft.lbs
Stabilizer spread	std. 5.0 m/16' 5"	max. 6.6 m/21' 8"
Fitting space required (std.)	0.83 m	2' 9"
Width folded	2.51 m	8' 3"
Max. operating pressure	320 bar	4640 psi
Recommended pump capacity	from 35 l/min	9.2 US gal./min
	to 50 l/min	13.2 US gal./min
Dead weight (std.)	1764 kg	3890 lbs

PK 14002 EH High Performance

Technical Specifications (EN 12999 HC1 HD4/B3)

Max. lifting moment	13.4 mt/131.0 kNm	96590 ft.lbs
Max. lifting capacity	6200 kg/60.8 kN	13670 ft.lbs
Max. hydraulic outreach	17.0 m	55' 9"
Max. manual outreach	19.0 m	62' 4"
Outreach (+ fly jib)	23.0 m	75' 6"
Slewing angle	420°	
Slewing torque	1.6 mt/15.7 kNm	11580 ft.lbs
Stabilizer spread	std. 5.0 m/16' 5"	max. 6.6 m/21' 8"
Fitting space required (std.)	0.83 m	2' 9"
Width folded	2.51 m	8' 3"
Max. operating pressure	350 bar	5075 psi
Recommended pump capacity	from 50 l/min	13.2 US gal./min
	to 70 l/min	18.5 US gal./min
Dead weight (std.)	1789 kg	3940 lbs

