

SPECIFICATIONS

SPEC. No. CT-2616
DATE-SEP. 2017

SPECIFICATIONS HYDRAULIC CRANE

**MODEL:UNIC URU554RKK-A1
(FOR U.S.A.)**

Specifications subject to change without notice.

FURUKAWA UNIC CORPORATION

*EXPORT TECHNICAL DEPT
TOKYO JAPAN*

UNIC CRANE PERFORMANCE
MODEL : URU554RKK-A1

CRANE CAPACITY:

LIFTING CAPACITY : Max. 11,100 lbs.at 8.2 ft.
with 4-parting of loadline.

HOOK HEIGHT
ABOVE GROUND LEVEL : Max. 41.6 ft.(Approx.)

WORKING RADIUS : Min 2.3 ft. to Max. 34.8 ft.

BOOM:

Four-section box beam type telescoping boom
with boom angle indicator.

Boom Length
All booms retracted; 11.8 ft.
Second stage extended; 19.7 ft.
Third stage extended; 27.7 ft.
Fourth stage extended; 35.6 ft.

Boom Telescoping Cylinder; Double acting type with counterbalance valve.
Boom extending speed; 23.8 ft. / 21.5 s

Boom Raising Cylinder; Double acting type with counterbalance valve.
Boom raising speed; 1° to 78° / 12 s

WINCH:

Hydraulic motor driven, spur gear reduction,
with automatic mechanical brake.

Single Line Pull; 2,775 lbs.

Hoisting Speed
Single line speed; 228.3 ft. / min at 4th layer
Hook speed; 57.0 ft. / min at 4th layer with 4-parting of load line.

Hook Block; 10,990 lbs. capacity, 2 sheaves with
safety latch

Hydraulic Motor; Axial plunger type

Wire Rope
Construction(JIS); IWRC 6 × Fi(29)
Diameter × Length; 25/64 in. × 226 ft.
Breaking strength; 17,630 lbs.

SLEWING:

Hydraulic motor driven, worm gear reduction, worm self-locking brake

Slewing Range;

360° continuous rotation on a ball bearing race

Hydraulic Motor;

Axial plunger type with automatic lock mechanism

Slewing Speed;

2.5 rpm

OUTRIGGERS:

Vertical jacks and horizontal beams

Vertical Jacks;

Double acting hydraulic cylinders with pilot-operated check valves

Horizontal Beams;

Manual extension type

Outrigger Span

Retracted;

7.2 ft.

Extended;

12.5 ft.

Mid-extended;

9.8 ft.

Note: The figures in relation to the speed are on the basis of no-load running at rated oil flow condition.

HYDRAULIC SYSTEM:

Hydraulic Valves

Control valve;

Multiple control valve, spring centered, spool-type, with pressure relief valve

Pressure relief valve setting;

2,990 psi

Oil Reservoir;

15.6 gal.capacity

Strainer;

100 wire mesh

Return Filter;

10 micron replaceable type

Recommended Hydraulic Pump

Rated pressure;

2,990 psi

Rated delivery;

15.9 gal./min.

ANTI TWO-BLOCK SYSTEM:

This system senses the presence of the load block in close proximity to the boom tip and automatically interrupts the operation of those boom functions which could bring the load block in contact with the boom tip.

Those boom functions which could be used to move the load block away from the boom tip remain operational.

This system is fully automatic and does not have any type of manual overriding.

ELECTRICAL SYSTEM:

12 volt DC.

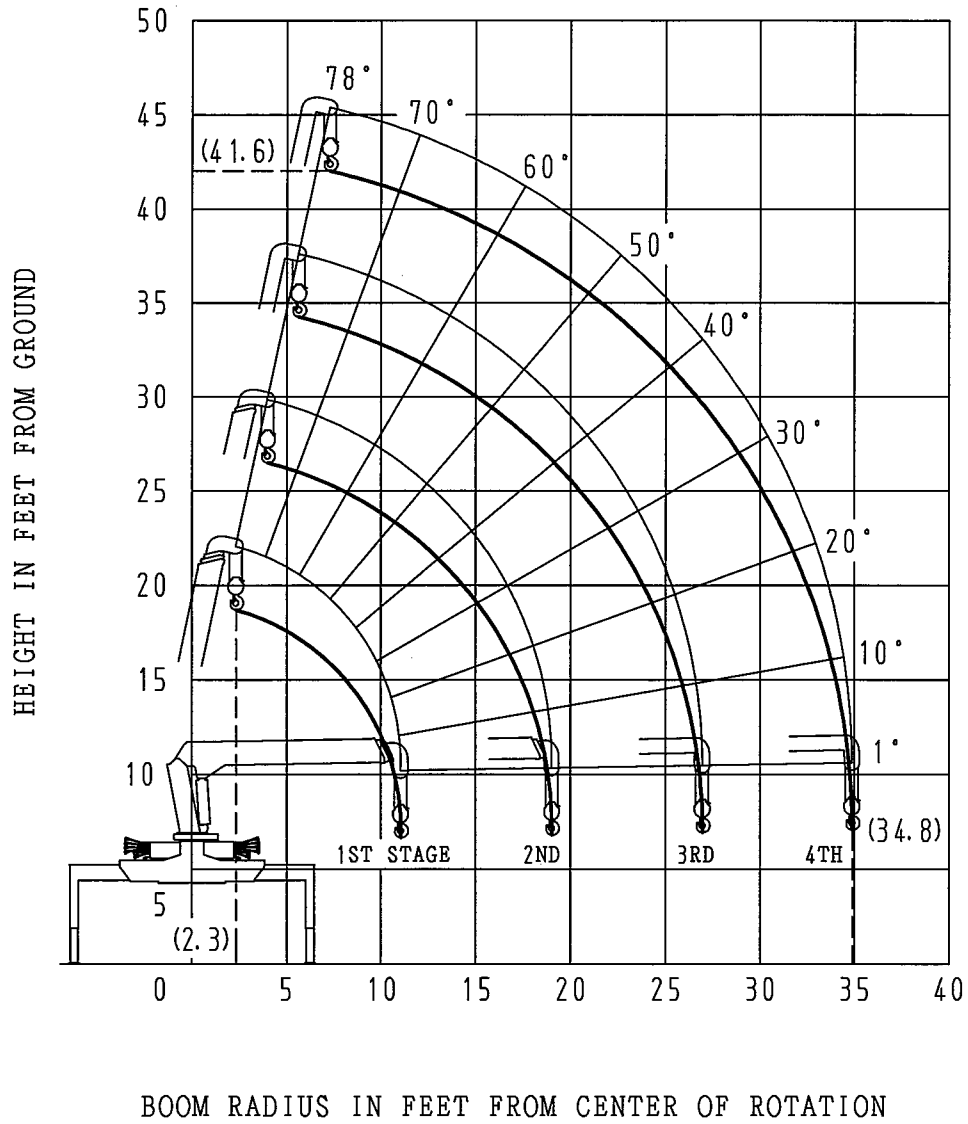
WARNING HORN:

Horn switch is equipped with each side of crane body.

WARNING

This machine is not insulated.
Do not operate any crane within 10 feet of power lines or electrified sources.

RANGE DIAGRAM:



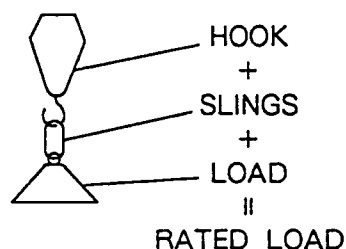
Note: The above figures are based on no-load condition and do not include the deflection of the boom.

RATED LOADS:

BOOM RADIUS (ft.)	ALL BOOMS RETRACTED (lbs.)	2ND STAGE EXTENDED (lbs.)	3RD STAGE EXTENDED (lbs.)	4TH STAGE EXTENDED (lbs.)
8.2	11,100	8,900		
9.8	8,900	8,900	6,700	
11.0	7,700	7,350	6,700	4,500
13.1		6,500	6,500	4,500
14.7		5,700	5,700	4,500
16.4		5,050	5,050	4,050
18.0		4,250	4,250	3,600
18.9		4,150	3,850	3,300
21.3			3,400	2,950
22.9			3,050	2,750
24.6			2,850	2,500
26.2			2,500	2,400
29.5				2,200
32.8				1,850
34.8				1,750

Note:

1. RATED LOADS SHOWN ON CHART ARE MAXIMUM ALLOWABLE LOADS WITH THE OUTRIGGERS FULLY EXTENDED ON A FIRM LEVEL GROUND AND BASED ON THE ACTUAL WORKING RADIUS INCLUDING THE DEFLECTION OF THE BOOM.
2. WEIGHTS OF HOOK (110 lbs.), SLINGS, AND ANY ACCESSORIES TO THE BOOM OR LOADLINE MUST BE DEDUCTED FROM THE RATED LOADS.
3. WHEN A LOAD IS LIFTED IN THE VEHICLE FRONT, OPERATE THE CRANE WITH A LOAD LESS THAN 25% OF THE RATED LOADS.



TITLE		MODEL		
UNIC HYDRAULIC CRANE		URU554RKK-A1		
FOR U. S. A. : REAR BOOM		DRN	CKD	APPD
		K. SAITO	T. KITANI	T. KITANI
SCALE	UNIT	DATE	DRAWING NO.	
1/20	ft. - in.	SEP. 2017	B-531403	
FURUKAWA UNIC CORP.				

