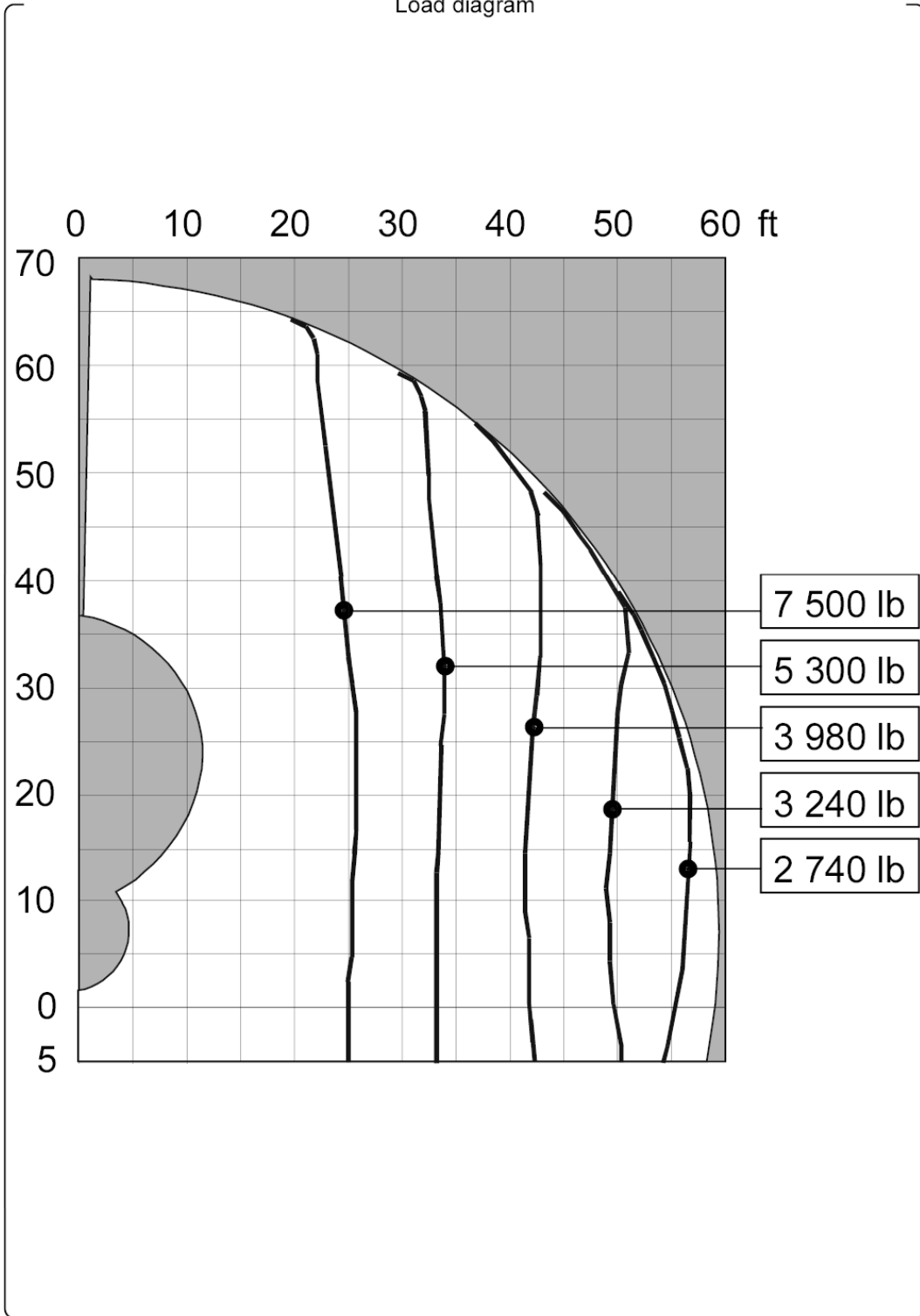


Technical Data

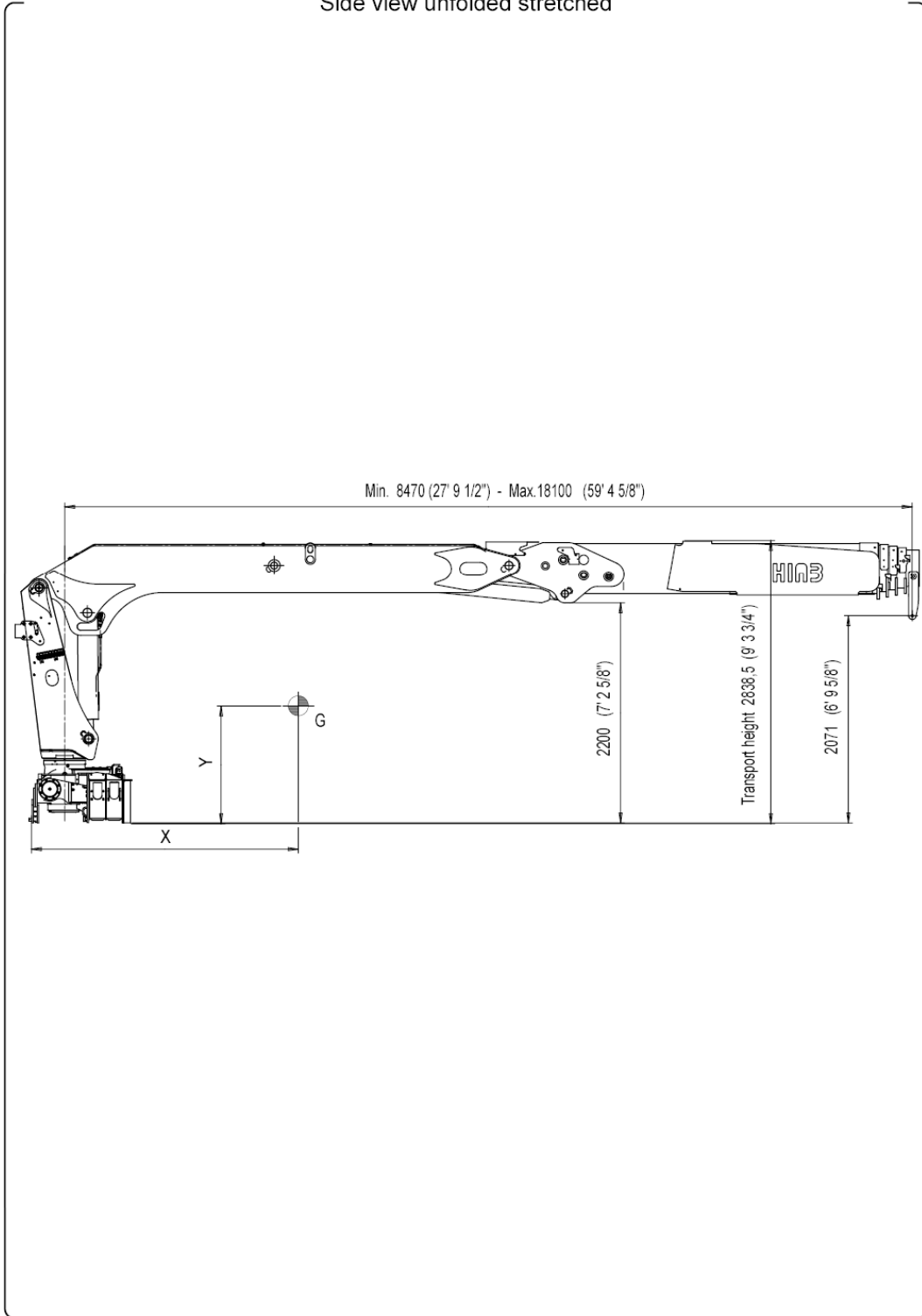
Hiab 335 KN-4

Version		HIAB 335 K-4 Pro
Lifting capacity (ADC)	ft-lbs	0
Outreach - lifting capacity, standard	ft-lbs.	25' 3" - 7 500
		33' 2" - 5 290
		41' 4" - 4 010
		48' 11" - 3 260
		56' 9" - 2 760
Outreach - lifting capacity, manual extensions	ft-lbs.	
Hydraulic outreach, standard	ft	59' 5"
Hydraulic boom extension	ft	31' 6" ft
Lifting height above installation level, hydr/man	ft	68' 3" / 0' 0"
Rec. oil flow	gallon/min	21 - 32
Working pressure	psi	4 210
Oil in tank	gallon	0 - 53
Slewing angle	Ø	0 - 0
Max slope viable at full capacity	°	6
Lifting speed at standard hydraulic outreach	ft/s	4' 3"
Height in folded position	"	110
Width in folded position	"	98
Install space required. Rotation area not included	"	44
Install space required with hose and pipe kit	"	44
Weight		
Crane in standard version without support legs	lbs.	10 430
Top seat	lbs.	0
Frame attachments	lbs.	250
Support leg equipment	lbs.	1 520
Data sheet		HIAB 335 K-4 Pro

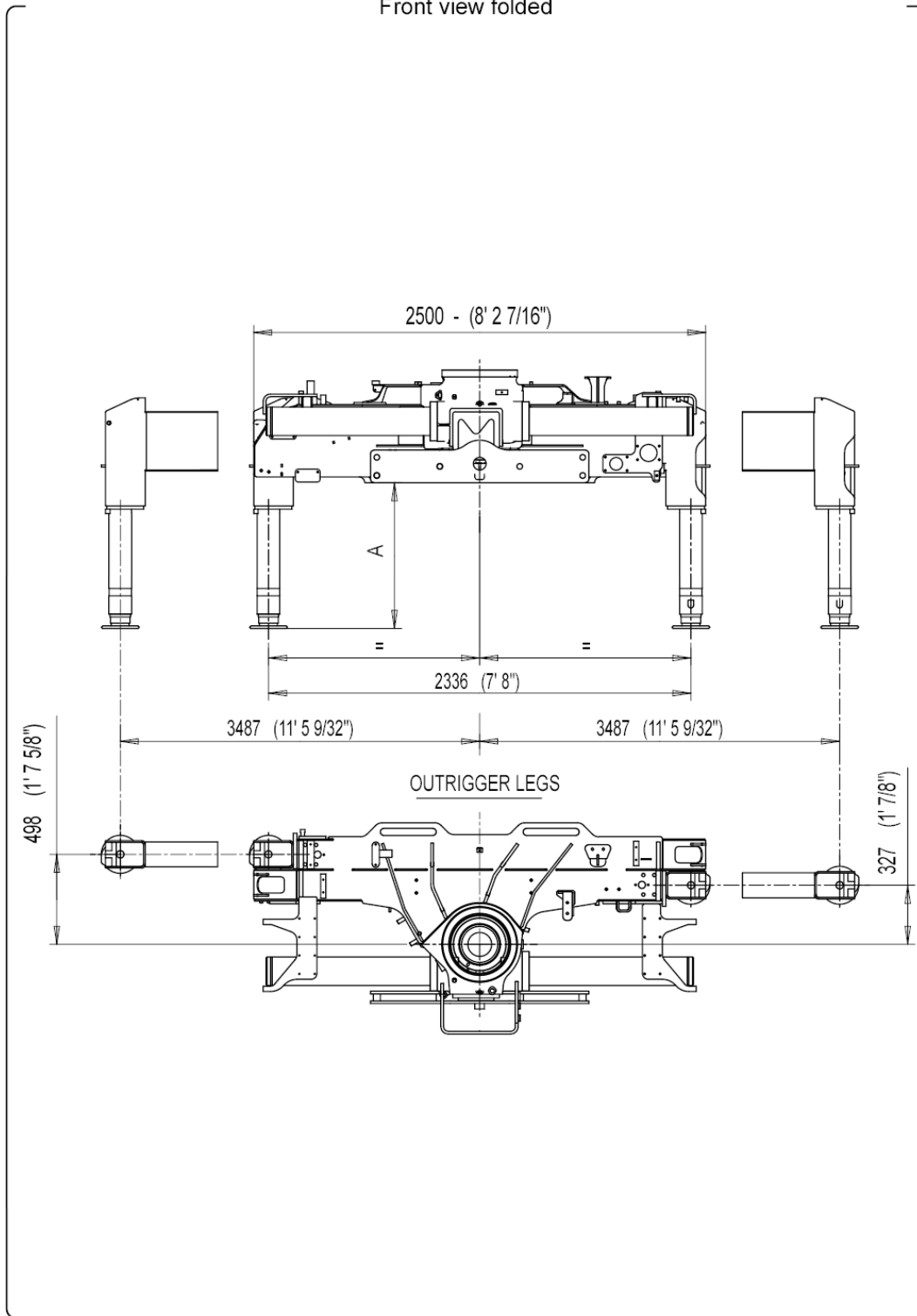
Load diagram



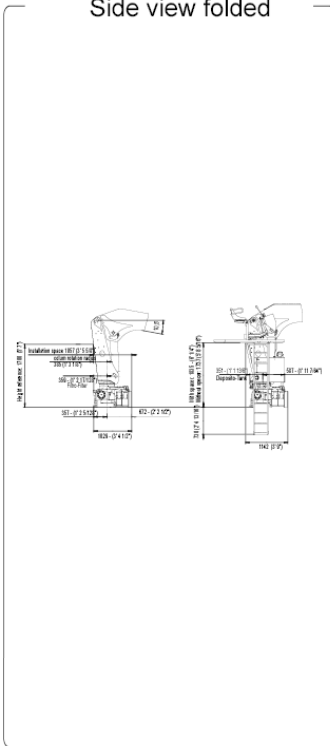
Side view unfolded stretched



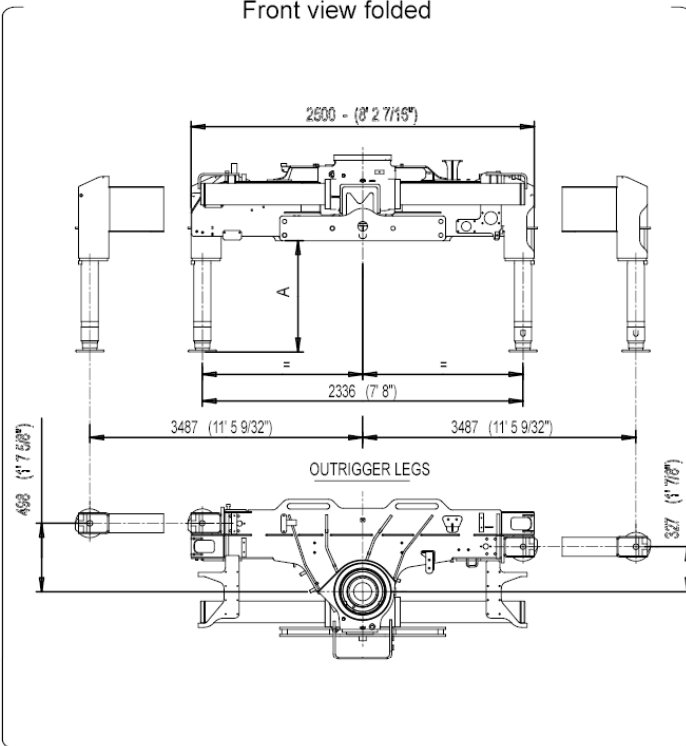
Front view folded



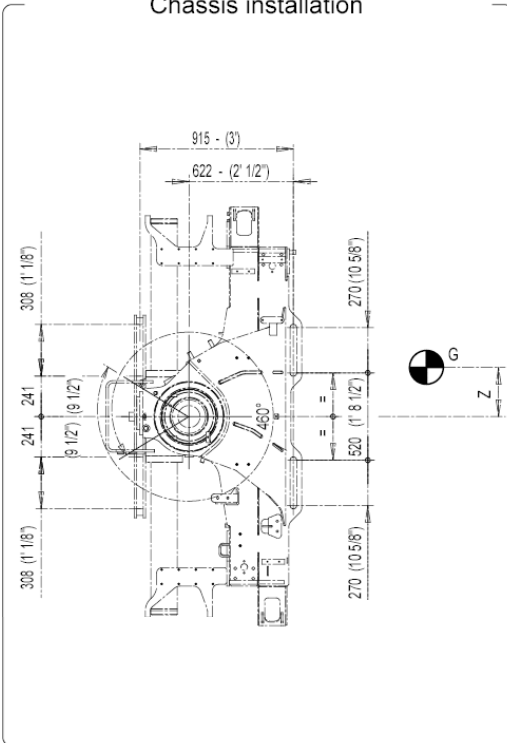
Side view folded



Front view folded



Chassis installation



Top view

