

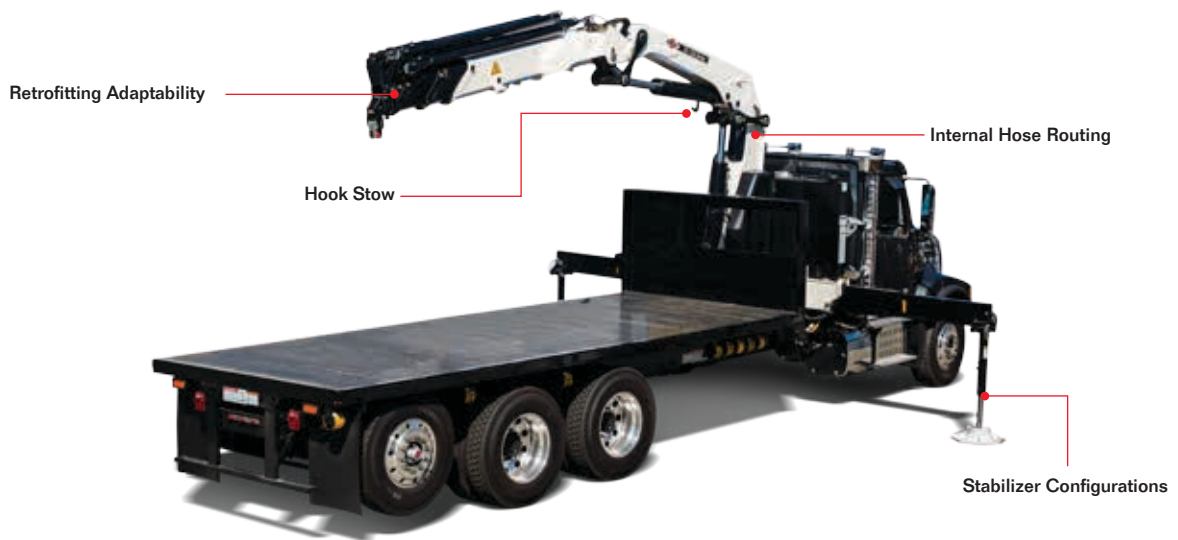
32/222

Articulating Crane



► 32/222 Articulating Crane

Power up your productivity with the IMT® 32/222 articulating crane. Featuring a superior lift-to-weight ratio, our 32/222 model has a maximum lift capacity of 15,058 pounds (6830 kg) and one of the industry's longest maximum horizontal reaches in the 30 tm range: 69 feet 7 inches (21.2 meters). This crane offers the performance, versatility and dependability you need to enhance efficiency — even on the most challenging jobsites.



32/222 Specifications

	2 - Hydraulic	3 - Hydraulic	4 - Hydraulic	5 - Hydraulic
Crane Rating*	222,050 ft-lb (30.7 tm)	215,540 ft-lb (29.8 tm)	213,370 ft-lb (29.5 tm)	207,590 ft-lb (28.7 tm)
Max Horizontal Reach	26' 11" (8.2 m)	33' 6" (10.2 m)	40' 4" (12.3 m)	47' 7" (14.5 m)
Max Vertical Reach	35' 2" (10.7 m)	41' 9" (12.7 m)	48' 7" (14.8 m)	55' 10" (17 m)
Max Capacity	15,058 lb (6830 kg)	14,617 lb (6630 kg)	14,132 lb (6410 kg)	13,735 lb (6230 kg)
Max Cap @ Max Reach	7209 lb (3270 kg)	6217 lb (2820kg)	4784 lb (2170 kg)	3748 lb (1700 kg)
Crane Weight **	5710 lb (2590 kg)	6151 lb (2790 kg)	6592 lb (2990 kg)	6967 lb (3160 kg)
Hook Approach				
Vertical	8' 3" (2.5 m)	8' 1" (2.5 m)	7' 11" (2.4 m)	7' 9" (2.4 m)
Horizontal	27' 2" (8.2 m)	33' 9" (10.3 m)	40' 8" (12.4 m)	47' 10" (14.6 m)
Center of Gravity - Stored				
Vertical	2' 9" (825 mm)	2' 9" (845 mm)	2' 10" (870 mm)	2' 11" (875 mm)
Horizontal (C/L Rotation to Bridge)	13.2" (335 mm)	13.2" (335 mm)	12.8" (325 mm)	12.6" (320 mm)

	6 - Hydraulic	7 - Hydraulic	8 - Hydraulic
Crane Rating*	201,800 ft-lb (27.9 tm)	201,080 ft-lb (27.8)	196,010 ft-lb (27.1 tm)
Max Horizontal Reach	54' 10" (16.7 m)	62' 1" (18.9 m)	69' 7" (21.2 m)
Max Vertical Reach	63' 1" (19.2 m)	70' 4" (21.4 m)	77' 10" (23.7 m)
Max Capacity	13,382 lb (6070 kg)	13,029 lb (5910 kg)	12,721 lb (5770 kg)
Max Cap @ Max Reach	2932 lb (1330 kg)	2293 (1040 kg)	1764 lb (800 kg)
Crane Weight **	7319 lb (3320 kg)	7650 lb (3470 kg)	7926 lb (3595 kg)
Hook Approach			
Vertical	7' 8" (2.3 m)	7' 7" (2.3 m)	7' 5" (2.3 m)
Horizontal	55' 1" (16.8 m)	62' 4" (19 m)	69' 10" (21.3 m)
Center of Gravity - Stored			
Vertical	3' 11" (885 mm)	2' 12" (900 mm)	3' (920 mm)
Horizontal (C/L Rotation to Bridge)	12.4" (315 mm)	12" (305 mm)	11.6" (295 mm)

* Crane rating (ft-lb) is the rated load (lb) multiplied by the respective distance (ft) from centerline of rotation with all extensions retracted and the inner and outer booms in a horizontal position, per ANSI B30.22. ** Crane weight is for standard crane with tank & 8-bolt long mounting kit. Does not include stabilizers, tank or oil.

Standard Features

- Radio remote control
- Application-specific product offering
- Superior lift-to-weight ratio
- Long-reach capabilities
- Hexagonal booms for superior reach and maximum control
- Internal hose routing
- 15° overbending on outer boom

Options

- Various stabilizer configurations
- Boom mounted winch
- Floodlight on outer boom
- Boom tip functions for hydraulic attachments
- Oil cooler

Specifications

Stabilizer Pad Diameter	8" (200 mm)
Crane Storage Height	7' 9" (2350 mm)
Mounting Space***	3' 4" (1024 mm)
Rotational Torque	28,027 ft-lb (3.9 tm)
Rotation	Continuous
Optimum Pump Performance	21.1 gpm (80 L/min)
System Pressure	5295 psi (365 bar)
Oil Reservoir Capacity	42.3 gal (160 L)
Stabilizer Extension Span	
Minimum (2 beams - 64" [1625 mm] long)	18' 3" (6200 mm)
Maximum (2 beams - 108" [2743 mm] long)	21' 1" (6430 mm)
Stabilizer Weights	
Stabilizer Beam 64" (1625 mm)	298 lb (135 kg)
Stabilizer Beam 81" (2065 mm)	397 lb (180 kg)
Stabilizer Cylinder, 1x swing-up	110 lb (50 kg)

*** Maximum swing clearance radius required is 29" (73.7 cm) at 8' 6" (2.6 m) from top of chassis frame

Minimum Chassis Specifications

Front Axle Rating (GAWR)	16,000 lb (7260 kg)
Rear Axle Rating (GAWR)	40,000 lb (18,145 kg)
Resistance to Bending Moment Minimum	3,441,775 in-lb (396,535 kg-m)

Hexagonal Boom Design

A wide hexagonal profile with large bearing surfaces ensures greater strength and stability for horizontal and vertical spans — even when working in extreme positions with long reaches. Plus, it's protected by powdercoat paint that never fades, flakes, or corrodes.



Internal Hose Routing

Fed internally through protective nylon drag chains or roller guides, all hoses are equipped with sturdy, high-pressure swivel couplings to prevent them from twisting.



Overbending

Overbending between the main boom and jib provides greater flexibility when working under power wires and more potential for high lifting in narrow passages. It also lowers the total height when the loader is stowed over the truck body.

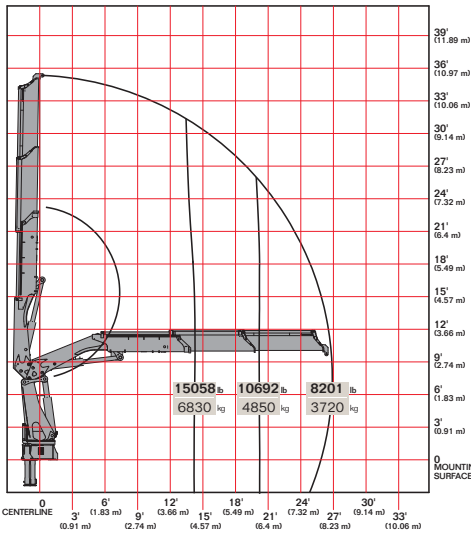


Stow Bracket Innovation

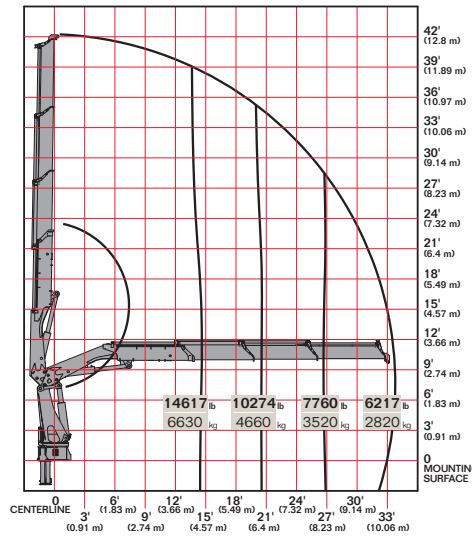
The stow bracket is designed to secure the boom for transport position but not allow for bracket damage. Unlike systems with rigid fixed brackets, the "J" hook will pivot if an incorrect movement is attempted.

▶ 32/222 Capacity Charts

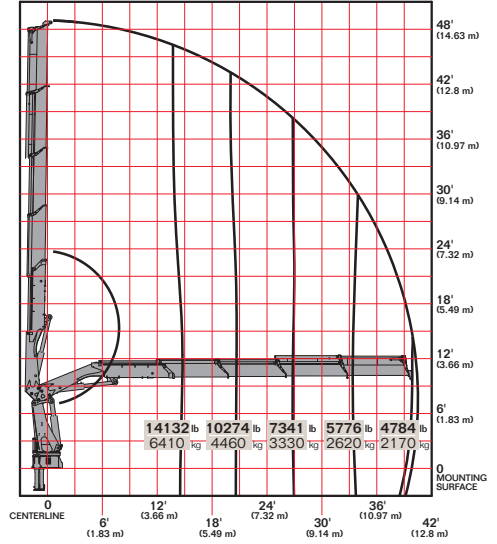
32/222 K2



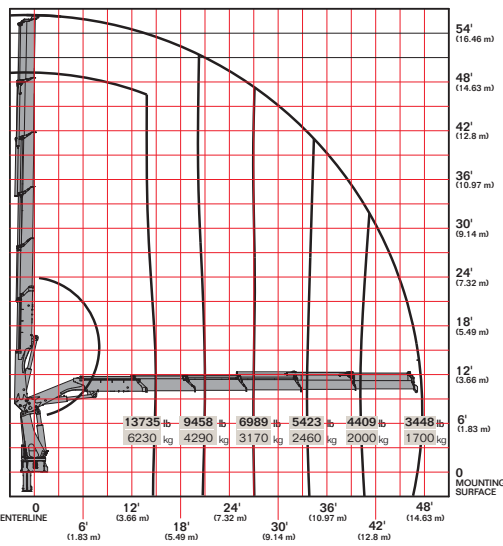
32/222 K3



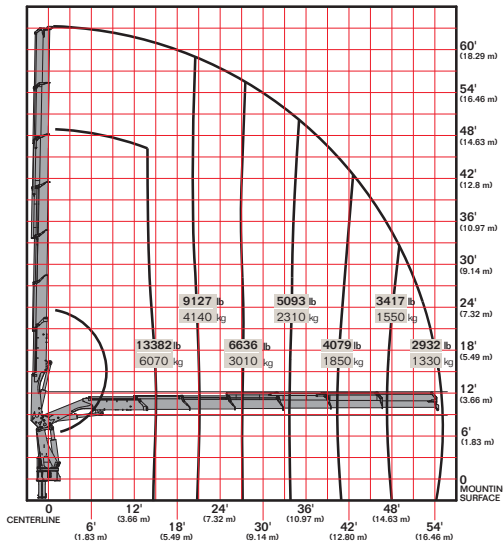
32/222 K4



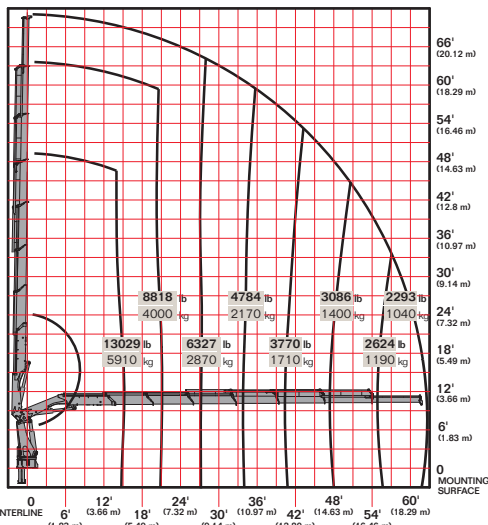
32/222 K5



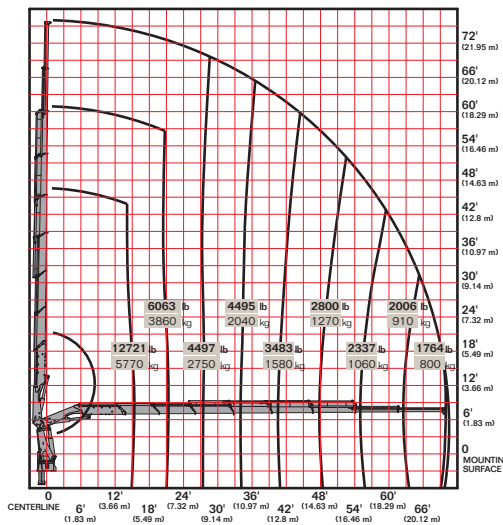
32/222 K6



32/222 K7



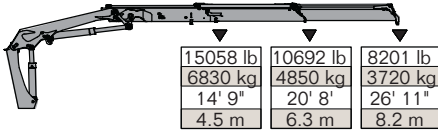
32/222 K8



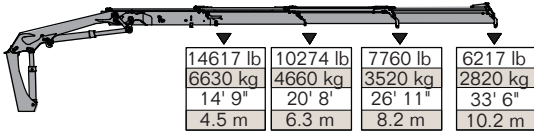
Limit working loads to those shown. Deduct the weight of load-handling devices.

▶ 32/222 Lifting Capacity

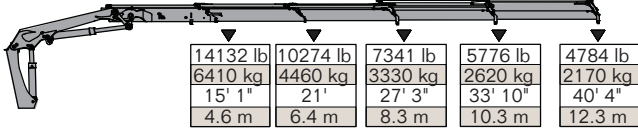
32/222 - 2 Hydraulic



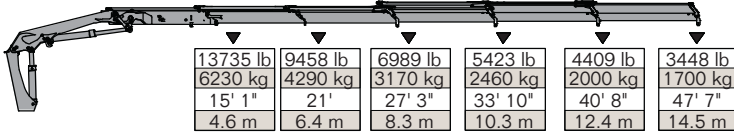
32/222 - 3 Hydraulic



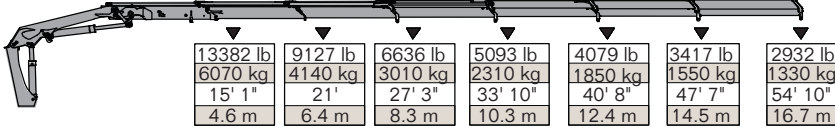
32/222 - 4 Hydraulic



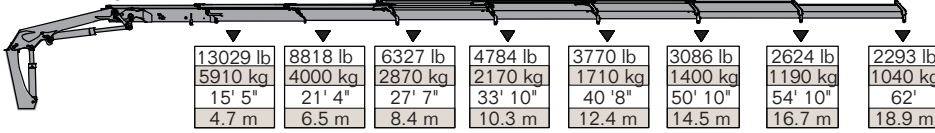
32/222 - 5 Hydraulic



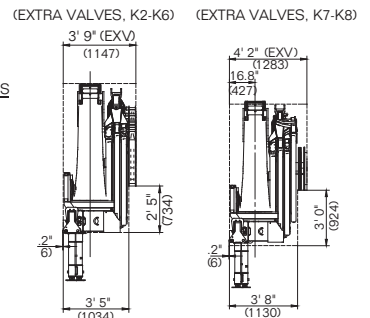
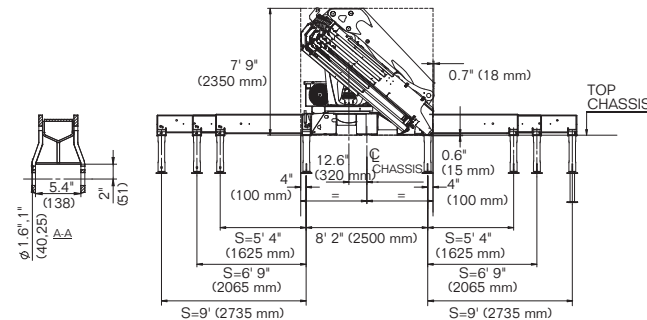
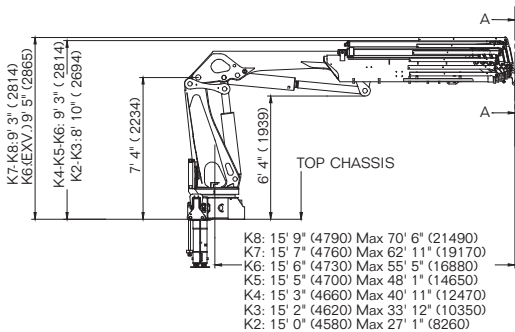
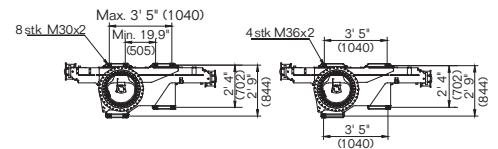
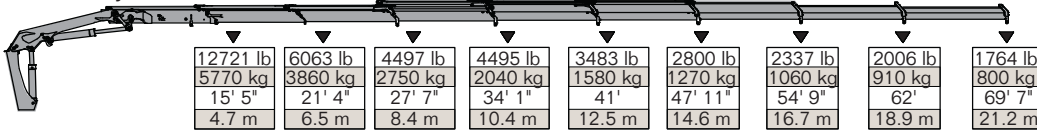
32/222 - 6 Hydraulic



32/222 - 7 Hydraulic



32/222 - 8 Hydraulic



Power Source

- Standard integral-mounted piston hydraulic pump and PTO application

Cylinder Holding Valves

- Integral-mounted counterbalance valves or load-holding check valves
- Prevention of sudden cylinder collapse in case of hose failure

Rotation System

- Continuous rotation through planetary gear box
- 28,027 ft-lb (3.9 tm) rotational high-torque hydraulic motor
- Hydraulic brake included

Hydraulic System

- Open-centered system — closed optional
- Regeneration system on extension cylinder to ensure quick deployment
- Hydraulic oil reservoir, air breather, replaceable return-line filter, and control valve with levers

Overload System

- Load-limiting capability for boom functions
- Rated capacity limitation (RCL) 5300 blocks load-increasing functions when full capacity is attained



Nothing Says Commitment Like The Diamond.™

IMT has been meeting the needs of our customers for over 50 years and none of it would have been possible without a distributor network that's second to none. IMT distributors offer fast, knowledgeable service and the ability to help customers find the right product for every application. When you're looking for reliable equipment and dependable service, remember IMT.



An Oshkosh Corporation Company

Iowa Mold Tooling Co., Inc.
500 Highway 18 West
Garner, Iowa 50438
800-247-5958 • www.imt.com