

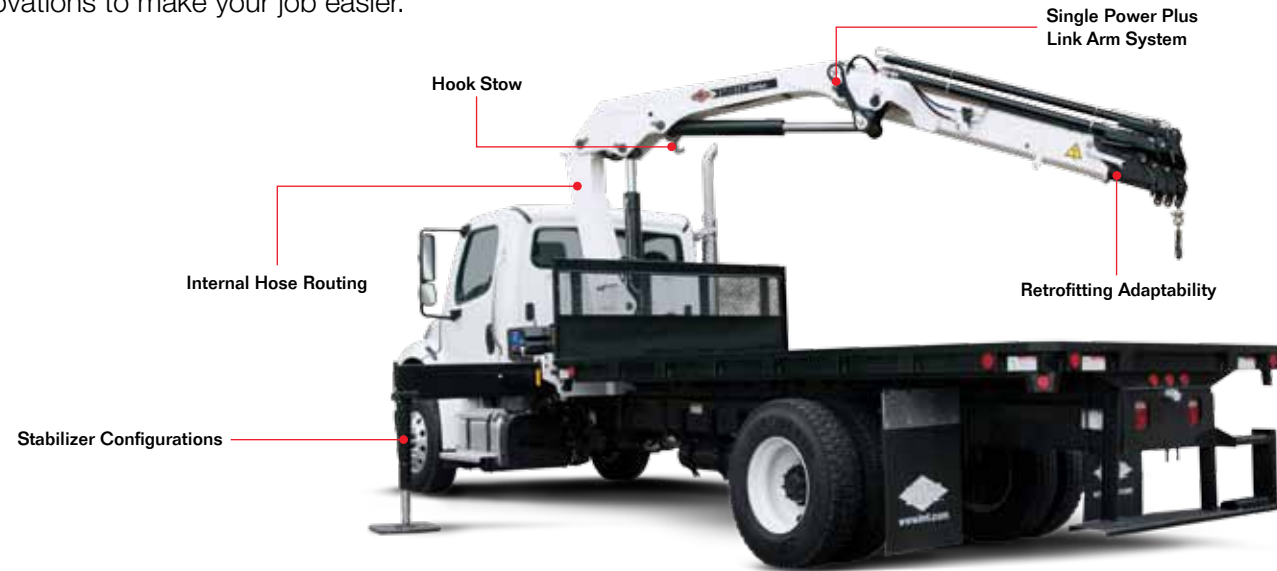
# 17/117

Articulating Crane



## ▶ 17/117 Articulating Crane

IMT® 17/117 articulating cranes provide premium performance on the job site. With a max lifting capacity of 12,785 lb (5800 kg) for the SL model and 14,835 lb (6730 kg) for the DL model, as well as a horizontal reach of 56 ft 5 in (17.2 m), these compact cranes deliver heavy-duty lifting and long-reach capabilities for a number of challenging tasks. Plus, their hexagonal booms offer strength and stability, and they feature unique innovations to make your job easier.



### 17/117SL Specifications

	1 - Hydraulic	2 - Hydraulic	3 - Hydraulic	4 - Hydraulic	5 - Hydraulic	6 - Hydraulic
<b>Crane Rating*</b>	116,450 ft-lb (16.1 tm)	112,835 ft-lb (15.6 tm)	109,940 ft-lb (15.2 tm)	107,050 ft-lb (14.8 tm)	104,155 ft-lb (14.4 tm)	101,985 ft-lb (14.1 tm)
<b>Max Horizontal Reach</b>	20' 4" (6.2 m)	27' 3" (8.3 m)	34' 1" (10.4 m)	41' 8" (12.7 m)	48' 11" (14.9 m)	56' 5" (17.2 m)
<b>Max Vertical Reach</b>	28' 7" (8.7 m)	35' 5" (10.8 m)	42' 6" (12.9 m)	49' 11" (15.2 m)	57' 1" (17.4 m)	64' 7" (19.7 m)
<b>Max Capacity</b>	12,785 lb (5800 kg)	12,565 lb (5700 kg)	12,125 lb (5500 kg)	11,465 lb (5200 kg)	11,245 lb (5100 kg)	11,245 lb (5100 kg)
<b>Max Cap @ Max Reach</b>	5710 lb (2590 kg)	4080 lb (1850 kg)	3000 lb (1360 kg)	2225 lb (1010 kg)	1675 lb (760 kg)	1280 lb (580 kg)
<b>Crane Weight **</b>	3020 lb (1370 kg)	3330 lb (1510 kg)	3640 lb (1650 kg)	3935 lb (1785 kg)	4200 lb (1905 kg)	4410 lb (2000 kg)
<b>Hook Approach</b>						
Vertical	9' 1" (2.76 m)	8' 11" (2.71 m)	8' 7" (2.62 m)	8' 4" (2.53 m)	8' (2.44 m)	7' 9" (2.35 m)
Horizontal	2' 5" (0.74 m)	2' 7" (0.79 m)	2' 9" (0.84 m)	2' 11" (0.89 m)	3' 1" (0.94 m)	3' 3" (1 m)
<b>Center of Gravity - Stored</b>						
Vertical	2' 5" (730 mm)	2' 6" (755 mm)	2' 7" (780 mm)	2' 8" (805 mm)	2' 8" (805 mm)	2' 9" (840 mm)
Horizontal (C/L Rotation to Bridge)	14" (355 mm)	13.8" (350 mm)	13.2" (335 mm)	12.6" (320 mm)	12" (305 mm)	11.4" (290 mm)

### 17/117DL Specifications

	1 - Hydraulic	2 - Hydraulic	3 - Hydraulic	4 - Hydraulic	5 - Hydraulic	6 - Hydraulic
<b>Crane Rating*</b>	115,730 ft-lb (16 tm)	112,835 ft-lb (15.6 tm)	109,220 ft-lb (15.1 tm)	106,325 ft-lb (14.7 tm)	104,155 ft-lb (14.4 tm)	101,260 ft-lb (14 tm)
<b>Max Horizontal Reach</b>	20' 4" (6.2 m)	27' 3" (8.3 m)	34' 1" (10.4 m)	41' 8" (12.7 m)	48' 11" (14.9 m)	56' 5" (17.2 m)
<b>Max Vertical Reach</b>	28' 7" (8.7 m)	35' 5" (10.8 m)	42' 6" (12.9 m)	49' 11" (15.2 m)	57' 1" (17.4 m)	64' 7" (19.7 m)
<b>Max Capacity</b>	14,835 lb (6730 kg)	14,460 lb (6560 kg)	13,825 lb (6270 kg)	13,230 lb (6000 kg)	12,700 lb (5760 kg)	12,190 lb (5530 kg)
<b>Max Cap @ Max Reach</b>	5710 lb (2590 kg)	4080 lb (1850 kg)	3000 lb (1360 kg)	2205 lb (1000 kg)	1675 lb (760 kg)	1255 lb (570 kg)
<b>Crane Weight **</b>	3130 lb (1420 kg)	3440 lb (1560 kg)	3750 lb (1700 kg)	4045 lb (1835 kg)	4310 lb (1955 kg)	4520 lb (2050 kg)
<b>Hook Approach</b>						
Vertical	9' 1" (2.76 m)	8' 11" (2.71 m)	8' 7" (2.62 m)	8' 4" (2.53 m)	8' (2.44 m)	7' 9" (2.35 m)
Horizontal	2' 5" (0.74 m)	2' 7" (0.79 m)	2' 9" (0.84 m)	2' 11" (0.89 m)	3' 1" (0.94 m)	3' 3" (1 m)
<b>Center of Gravity - Stored</b>						
Vertical	2' 7" (785 mm)	2' 7" (800 mm)	2' 8" (820 mm)	2' 9" (835 mm)	2' 9" (850 mm)	2' 10" (860 mm)
Horizontal (C/L Rotation to Bridge)	13" (330 mm)	12.8" (325 mm)	12.4" (315 mm)	12" (305 mm)	11.8" (300 mm)	11" (280 mm)

\* Crane rating (ft-lb) is the rated load (lb) multiplied by the respective distance (ft) from centerline of rotation with all extensions retracted and the inner and outer booms in a horizontal position, per ANSI B30.22. \*\* Crane weight does not include stabilizers.

### Standard Features

- Application-specific product offering
- Superior lift-to-weight ratio
- Long-reach capabilities
- Hexagonal booms for superior reach and maximum control
- Internal hose routing
- 15° overbending on outer boom

### Options

- Radio remote control
- Various stabilizer configurations
- Double link arm system
- Boom mounted winch
- Floodlight on outer boom
- Boom tip functions for hydraulic attachments
- Oil cooler

### Specifications

<b>Stabilizer Pad Diameter</b>	6" (160 mm)
<b>Crane Storage Height</b>	7' 5" (2250 mm)
<b>Mounting Space***</b>	2' 8" (820 mm)
<b>Rotational Torque</b>	14,465 ft-lb (2 tm)
<b>Rotation</b>	400°
<b>Optimum Pump Performance</b>	13.2 gpm (50 L/min)
<b>System Pressure</b>	4785 psi (330 bar)
<b>Oil Reservoir Capacity</b>	23.8 gal (90 L)
<b>Stabilizer Extension Span</b>	
Standard (manual out/hydraulic down)	15' 2" (4615 mm)
Weight	440 lb (200 kg)
Opt. 1 (manual out/hydraulic down)	18' 4" (5590 mm)
Weight	560 lb (254 kg)
Opt. 2 (hydraulic out/hydraulic down)	21' 3" (6470 mm)
Weight	640 lb (290 kg)

\*\*\* Maximum swing clearance radius required is 24" (600 mm) at 7' 10" (2375 mm) from top of chassis frame.

### Minimum Chassis Specifications

<b>Front Axle Rating (GAWR)</b>	12,000 lb (5445 kg)
<b>Rear Axle Rating (GAWR)</b>	21,000 lb (9525 kg)
<b>Resistance to Bending Moment Minimum</b>	1,850,000 in-lb (213,145 kg-m)

### Hexagonal Boom Design

A wide hexagonal profile with large bearing surfaces ensures greater strength and stability for horizontal and vertical spans — even when working in extreme positions with long reaches. Plus, it's protected by powdercoat paint that never fades, flakes, or corrodes.



### Internal Hose Routing

Fed internally through protective nylon drag chains or roller guides, all hoses are equipped with sturdy, high-pressure swivel couplings to prevent them from twisting.



### Overbending

Overbending between the main boom and jib provides greater flexibility when working under power wires and more potential for high lifting in narrow passages. It also lowers the total height when the loader is stowed over the truck body.

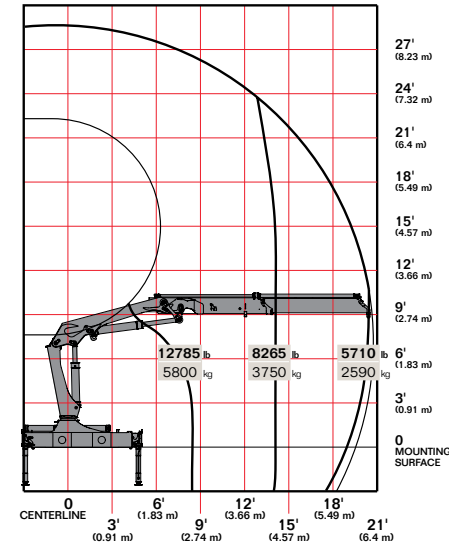


### Stow Bracket Innovation

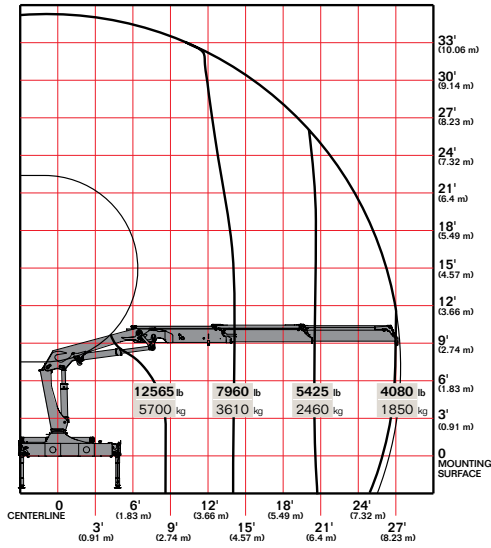
The stow bracket is designed to secure the boom for transport position but not allow for bracket damage. Unlike systems with rigid fixed brackets, the "J" hook will pivot if an incorrect movement is attempted.

## ► 17/117SL Capacity Charts

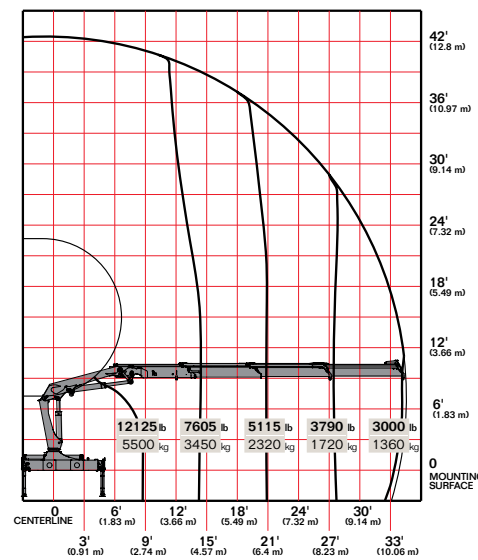
### 17/117SL K1



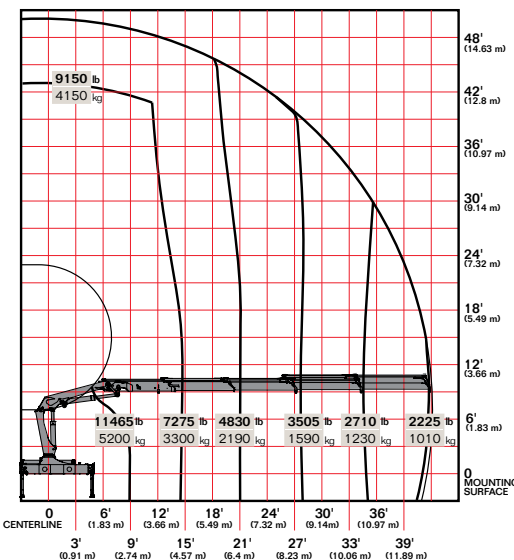
### 17/117SL K2



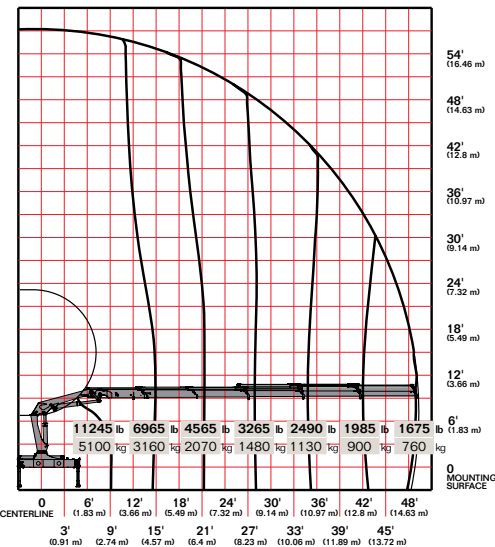
### 17/117SL K3



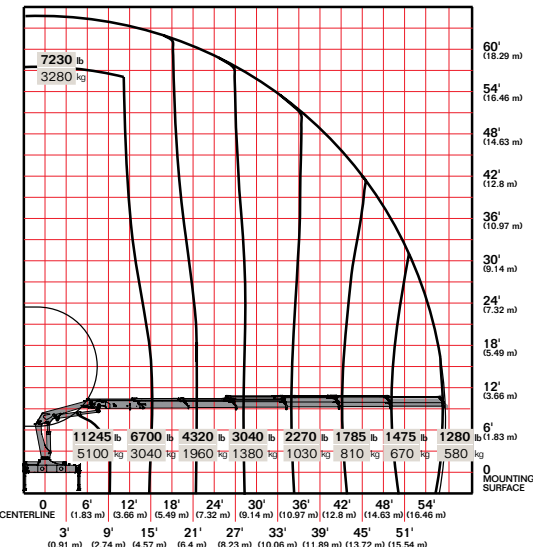
### 17/117SL K4



### 17/117SL K5



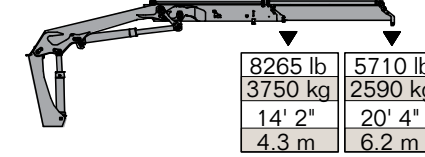
### 17/117SL K6



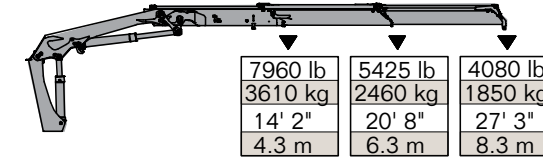
Limit working loads to those shown. Deduct the weight of load-handling devices.

## ► 17/117SL Lifting Capacity

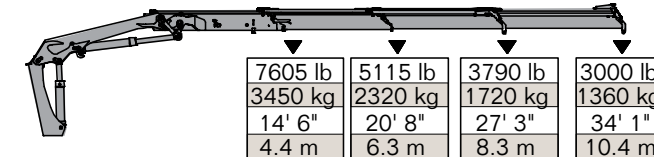
### 17/117SL - 1 Hydraulic



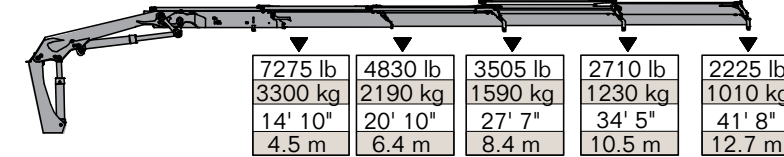
### 17/117SL - 2 Hydraulic



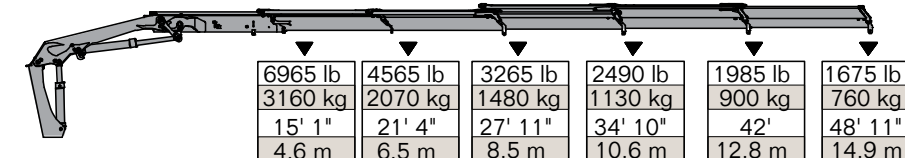
### 17/117SL - 3 Hydraulic



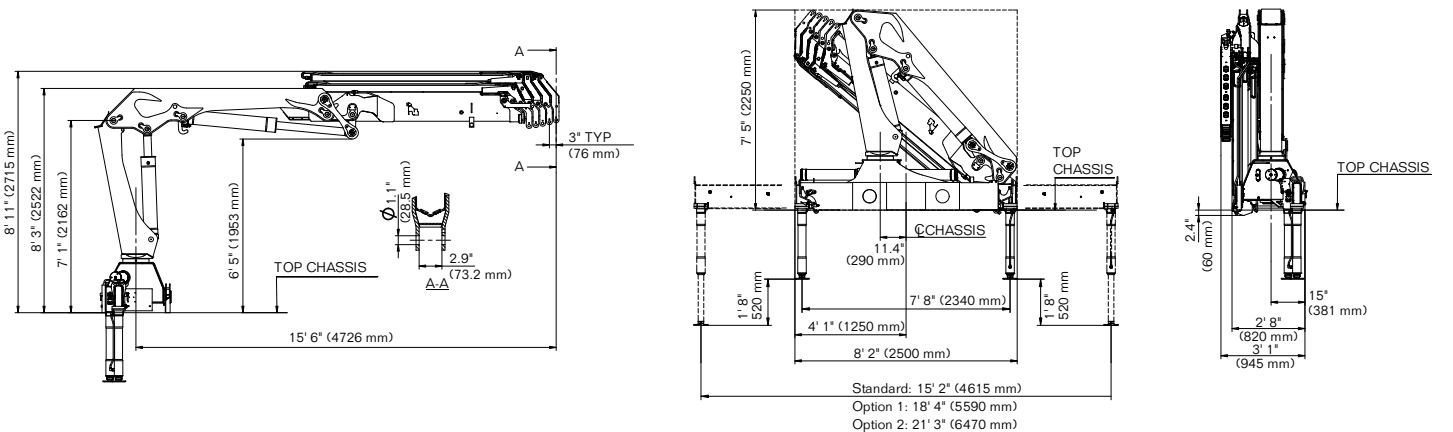
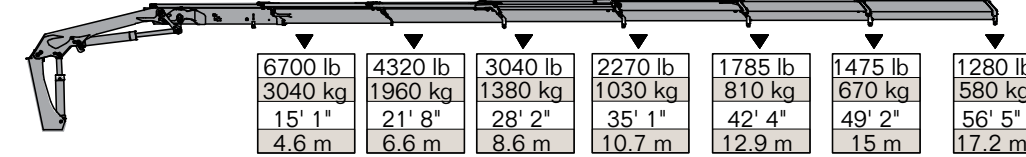
### 17/117SL - 4 Hydraulic



### 17/117SL - 5 Hydraulic

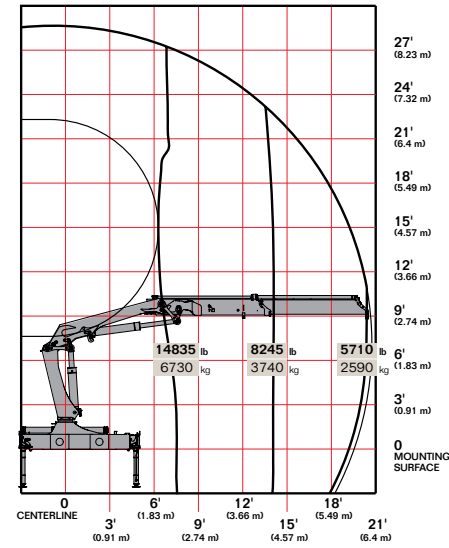


### 17/117SL - 6 Hydraulic

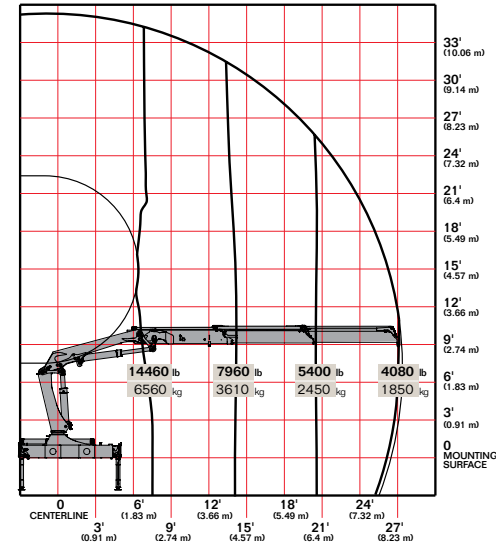


## ▶ 117/117DL Capacity Charts

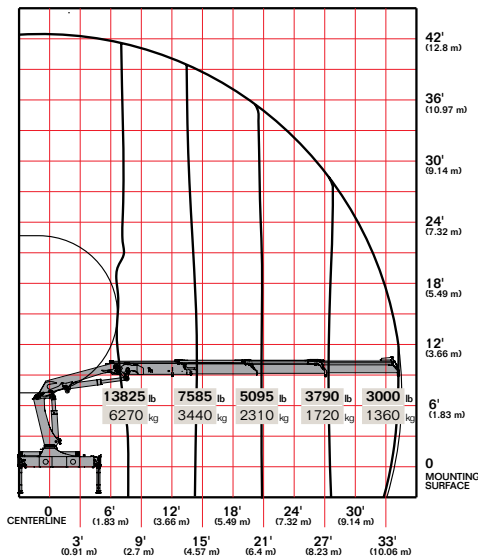
### 17/117DL K1



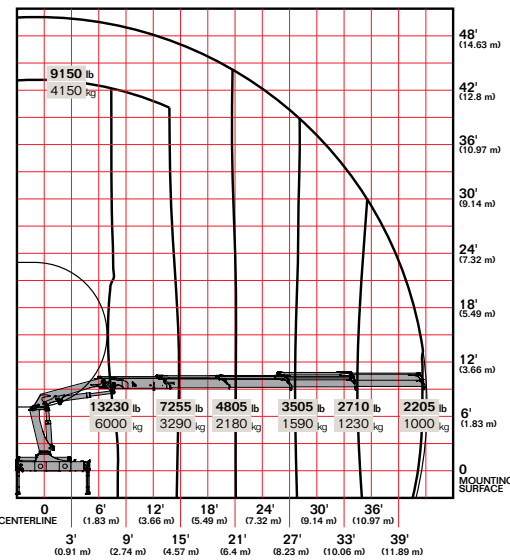
### 17/117DL K2



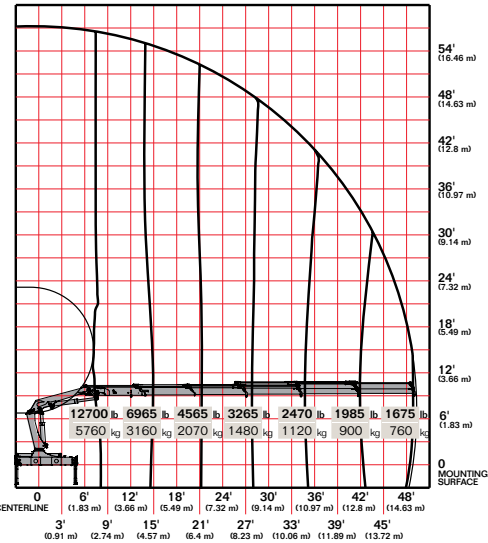
### 17/117DL K3



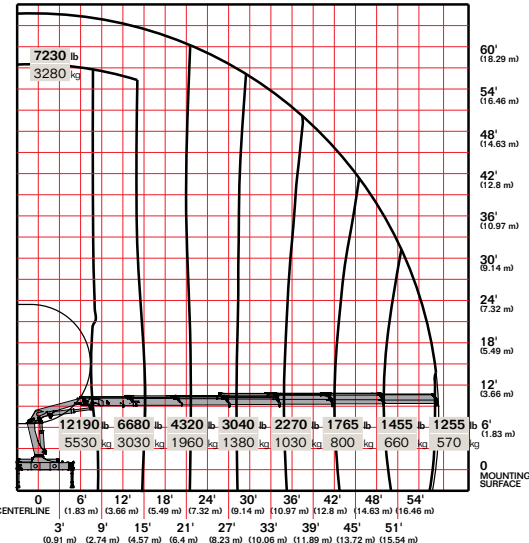
### 17/117DL K4



### 17/117DL K5

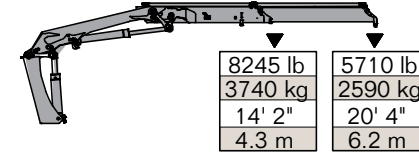


### 17/117DL K6

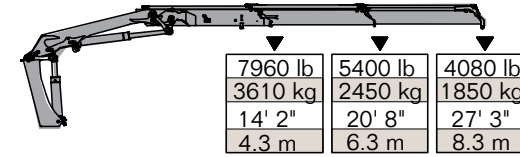


## ▶ 117/117DL Lifting Capacity

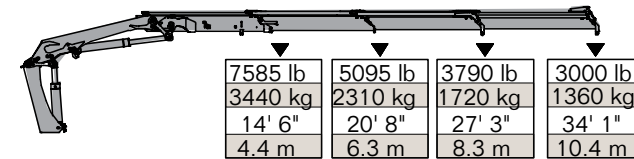
### 17/117DL - 1 Hydraulic



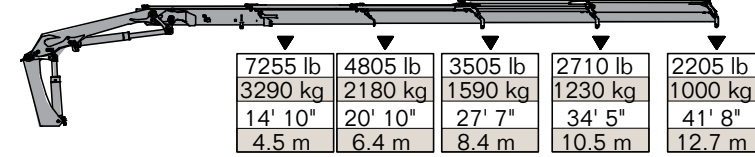
### 17/117DL - 2 Hydraulic



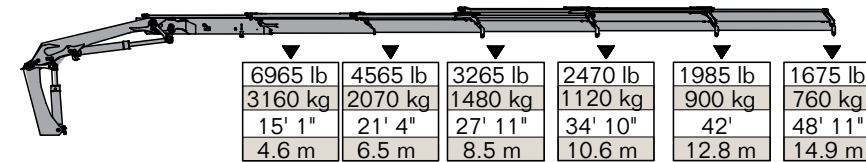
### 17/117DL - 3 Hydraulic



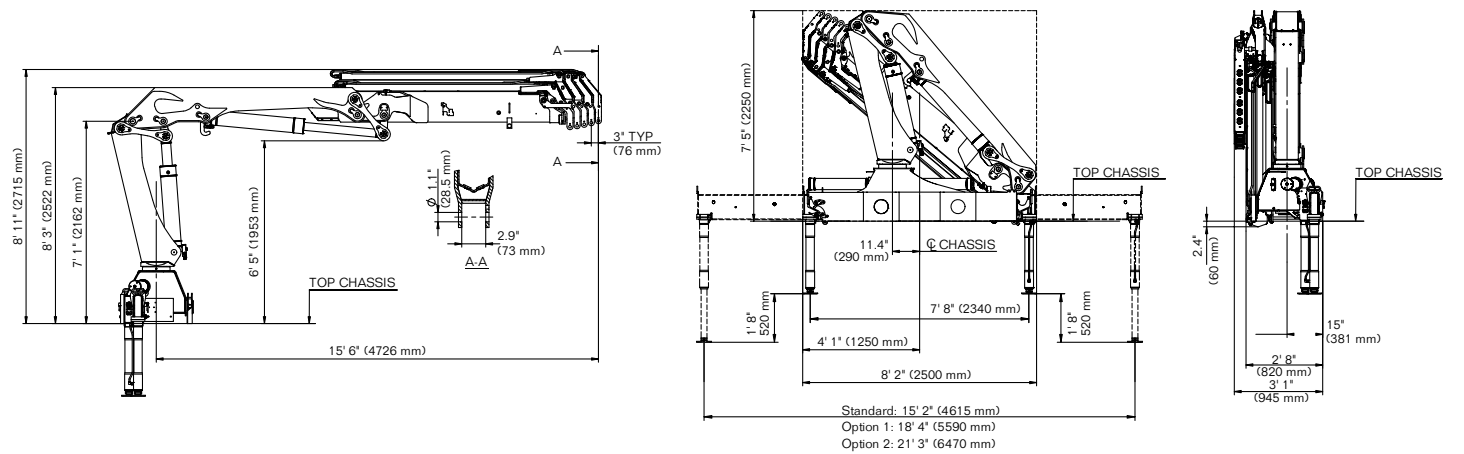
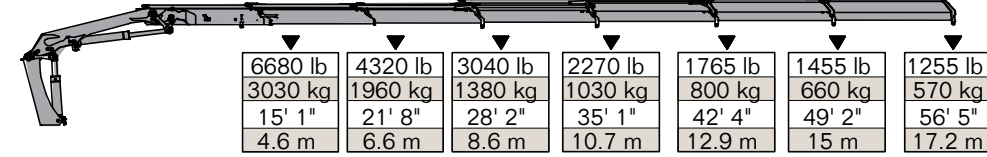
### 17/117DL - 4 Hydraulic



### 17/117DL - 5 Hydraulic



### 17/117DL - 6 Hydraulic



### Power Source

- Standard integral-mounted piston hydraulic pump and PTO application

### Cylinder Holding Valves

- Integral-mounted counterbalance valves or load-holding check valves
- Prevention of sudden cylinder collapse in case of hose failure

### Rotation System

- 400 degree rack and pinion
- 14,465 ft-lb (2 tm) rotational torque
- Counterbalance valve on each cylinder to stop motion in case of hose failure

### Hydraulic System

- Open-centered system — closed optional
- Regeneration system on extension cylinder to ensure quick deployment
- Hydraulic oil reservoir, air breather, replaceable return-line filter, and control valve with levers

### Overload System

- Load-limiting capability for boom functions
- Rated capacity limitation (RCL) 5300 blocks load-increasing functions when full capacity is attained



### Nothing Says Commitment Like The Diamond.™

IMT has been meeting the needs of our customers for over 50 years and none of it would have been possible without a distributor network that's second to none. IMT distributors offer fast, knowledgeable service and the ability to help customers find the right product for every application. When you're looking for reliable equipment and dependable service, remember IMT.



An Oshkosh Corporation Company

**Iowa Mold Tooling Co., Inc.**  
500 Highway 18 West  
Garner, Iowa 50438  
800-247-5958 • [www.imt.com](http://www.imt.com)

IMT reserves the right to make changes in engineering, design, and specifications; add improvements; or discontinue manufacturing at any time without notice or obligation. IMT, the IMT logo and NOTHING SAYS COMMITMENT LIKE THE DIAMOND are registered trademarks or trademarks of Iowa Mold Tooling Co., Inc., Garner, IA, USA.  
© 2013 Iowa Mold Tooling Co., Inc. All Rights Reserved.