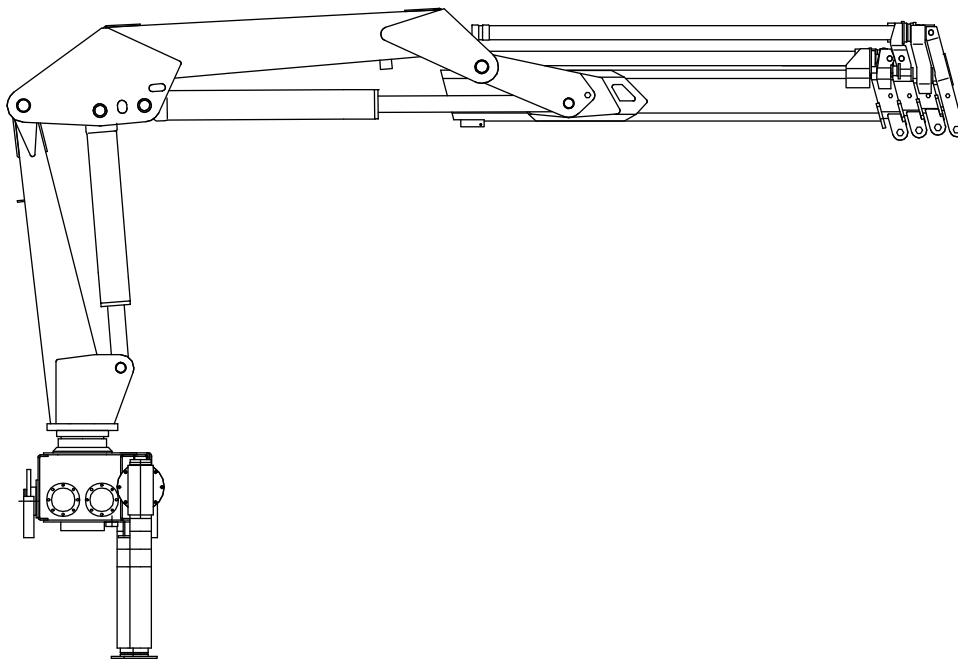


IMT

MATERIAL HANDLING SYSTEMS

Repair Parts *Model 7/48 Crane*



IOWA MOLD TOOLING CO., INC.

BOX 189, GARNER, IA 50438-0189

641-923-3711

MANUAL PART NUMBER: 99904681

Iowa Mold Tooling Co., Inc. is an Oshkosh Corporation company.

In addition to the information presented in this manual, read and understand the IMT Crane Operator's Safety Manual before operating or performing any maintenance on your crane.

REVISIONS LIST

DATE	LOCATION	DESCRIPTION OF CHANGE
20091204	THROUGHOUT	ADDED NEM KIT, M50 ASSEMBLIES
20110207	41717823	ECN 11383 - UPDATE HARDWARE ON HOOK, CABLE, WINCH KIT
20111213		ECN 11628 - UPDATED STABILIZER WORDING

TABLE OF CONTENTS

7/48: 99904681: 20091204

REVISIONS LIST	2
INTRODUCTION	4
BASE	5
ROTATION (SLEWING) SYSTEM-400°	6
MAST (COLUMN)	7
INNER (MAIN) BOOM	8
OUTER (JIB) BOOM	9
1ST STG EXT BOOM	10
2ND STG EXT BOOM	11
3RD STG EXT BOOM	12
4TH STG EXT BOOM	13
HOOK SUSPENSION	14
MANUAL EXTENSIONS-1H	15
MANUAL EXTENSIONS-2H	16
MANUAL EXTENSIONS-3H	17
MANUAL EXTENSIONS-4H	18
INNER BOOM CYLINDER C110-600	19
OUTER (JIB) BOOM CYLINDER C110-760	20
EXTENSION CYLINDER C50-1700 (Ø35/Ø20)	21
EXTENSION CYLINDER C50-1700 (Ø30/Ø16)	22
EXTENSION CYLINDER C50-1700 (Ø30)	23
STABILIZER CYLINDER C80-640	24
STABILIZER BEAM SV	25
STABILIZER BEAM SR	26
STABILIZER BEAM DV	27
STABILIZER BEAM DR	28
VALVE GROUP-RS150	29
CONTROL VALVE, M50	30
VALVE BLOCK FOR SERIAL CONNECTION	31
ELECTRO-HYDRAULIC NEM KIT, NEM RADIO CONTROL	32
VALVE BRACKET & DUAL CONTROL-RS150	33
VALVE BRACKET & DUAL CONTROL-M50	34
HYDRAULIC SYSTEM-PUMP & TANK-RS150	35
HYDRAULIC SYSTEM-PUMP & TANK-M50	36
HYDRAULIC SYSTEM-ROTATION CYLINDER-RS150	37
HYDRAULIC SYSTEM-ROTATION CYLINDER WITH LHV, M50	38
HYDRAULIC SYSTEM-INNER BOOM CYLINDER-C110-600	39
HYDRAULIC SYSTEM-INNER BOOM CYLINDER-C=6 O'CLOCK, M50	40
HYDRAULIC SYSTEM-INNER BOOM CYLINDER-C=12 O'CLOCK, M50	41
HYDRAULIC SYSTEM-OUTER BOOM CYLINDER-C110-760	42
HYDRAULIC SYSTEM-EXT CYLINDER-1H-C50-1700	43
HYDRAULIC SYSTEM-EXT CYLINDER-2H-C50-1700	44
HYDRAULIC SYSTEM-EXT CYLINDER-3H-C50-1700	45
HYDRAULIC SYSTEM-EXT CYLINDER-4H-C50-1700	46
HYDRAULIC SYSTEM-STABILIZERS-TYPE SV/SR	47
HYDRAULIC SYSTEM-STABILIZERS-TYPE DV/DR	48
DECAL PLACEMENT, 7/48 CRANE (99904682)	49
MOUNTING FITTINGS	50
DUAL CONTROL 2 STABILIZER VALVES	51
DUAL CONTROL FOR SERIES CONNECTION, M50	52
SERIES CONNECTION PARTS-RS150	53
SERIES CONNECTION PARTS-M50	54
EXTRA VALVES-1H	55
EXTRA VALVES-2H	56
EXTRA VALVES-3H	57
EXTRA VALVES-4H	58
WINCH KIT (99903568-1)	59
WINCH KIT (99903568-2)	60
CABLE & HOOK KIT (41717823)	61

PARTS-4 INTRODUCTION

GENERAL

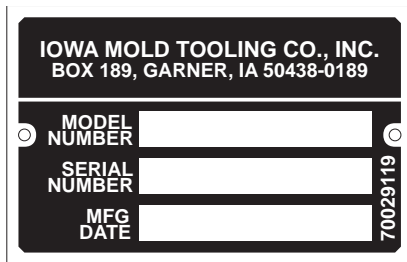
This manual contains the parts drawings with accompanying parts lists for the assemblies used on this crane. These drawings are intended to be used in conjunction with the instructions found in the Instruction Manual.

WARNING

DO NOT ATTEMPT TO REPAIR ANY COMPONENT WITHOUT READING THE INFORMATION CONTAINED IN THE INSTRUCTION MANUAL. PAY PARTICULAR ATTENTION TO THE WARNINGS, CAUTIONS AND NOTES CONTAINED IN THAT MANUAL. FAILURE TO COMPLY WITH THESE INSTRUCTIONS MAY RESULT IN DAMAGE TO THE EQUIPMENT, AN INJURY OR EVEN DEATH.

CRANE IDENTIFICATION

Every crane has a serial number placard attached to the mast or crane base. When ordering parts, communicating warranty information or referring to the unit in correspondence, always include the assigned serial number and model number as shown on the serial number placard.



SERIAL NUMBER PLACARD

ORDERING REPAIR PARTS

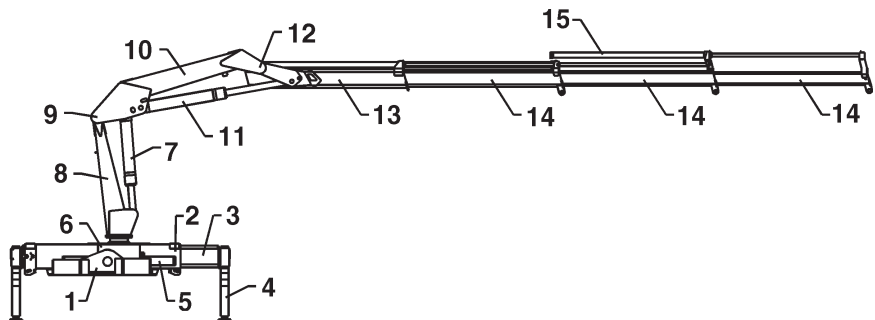
When ordering replacement parts:

1. Give the model number of the unit.
2. Give the serial number of the unit.
3. Specify the complete part number. When ordering complete cylinders or assemblies, identify the cylinder or assembly by name.
4. Give a complete description of the part.
5. Specify the quantity required.

All inquiries should be addressed to:

Iowa Mold Tooling Co., Inc.
Box 189, Garner, IA 50438-0189
Telephone: 641-923-3711
Technical Support Fax: 641-923-2424

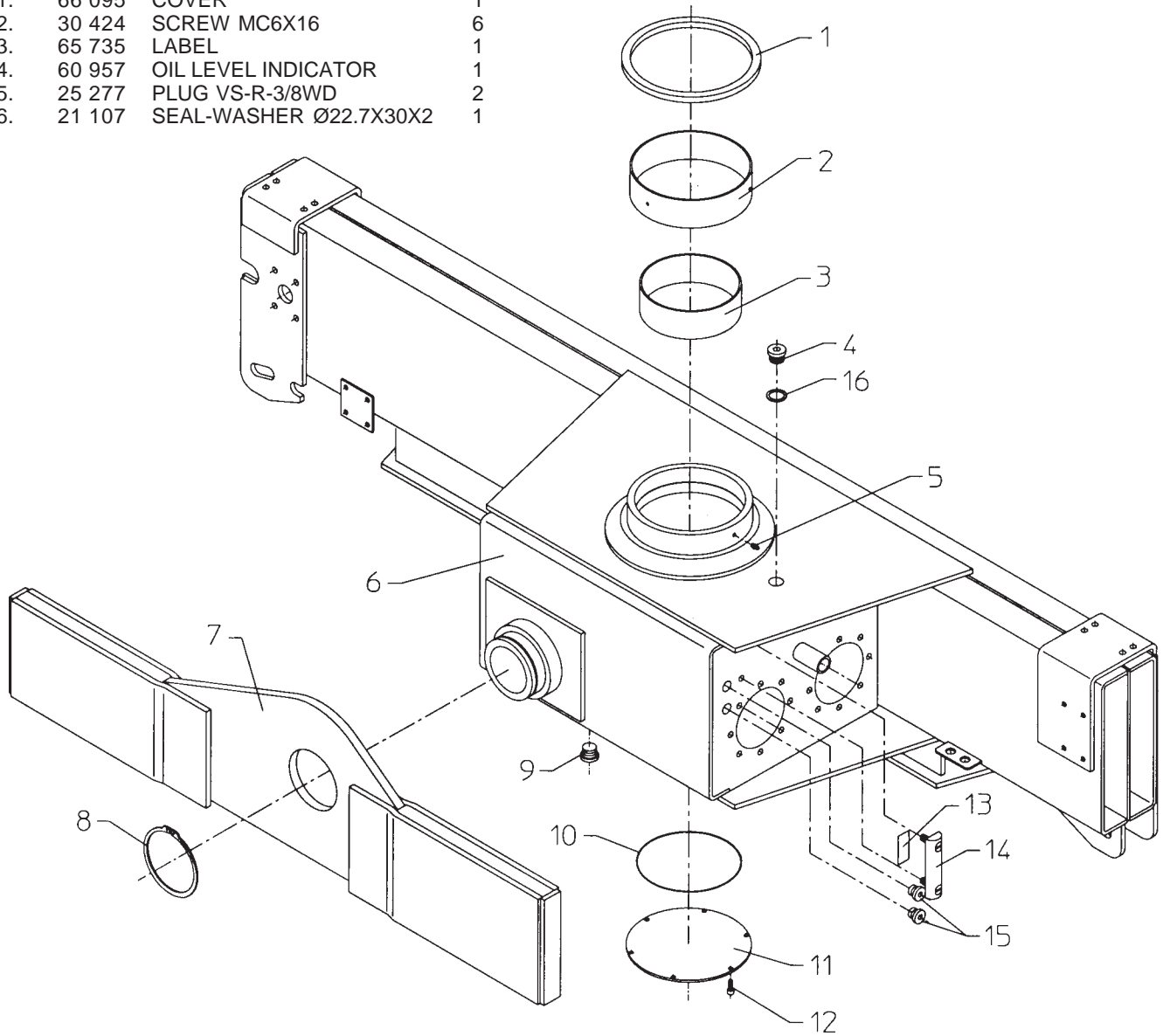
1. Suspension traverse
2. Control valve block
3. Stabilizer beam
4. Stabilizer leg
5. Rotation/Slewing cylinder
6. Base
7. Inner/Boom cylinder
8. Mast/Column
9. Hinge pin
10. Inner/Main boom
11. Outer/Jib cylinder
12. Outer/Jib pin
13. Outer boom/Jib
14. Extension boom
15. Extension cylinder



COMPONENT REFERENCE

BASE

1.	12 92 654	BEARING	1
2.	12 92 664	BEARING	1
3.	23 372	BUSHING	1
4.	26 155	PLUG M22X1.5	1
5.	31 329	ZERK M6X1-0	1
6.	12 92 762	BASE	1
7.	12 92 502	SUSPENSION TRAVERSE	1
8.	33 148	CIRCLIP	1
9.	25 103	PLUG	1
10.	20 341	O-RING 154.2X5.7	1
11.	66 095	COVER	1
12.	30 424	SCREW MC6X16	6
13.	65 735	LABEL	1
14.	60 957	OIL LEVEL INDICATOR	1
15.	25 277	PLUG VS-R-3/8WD	2
16.	21 107	SEAL-WASHER Ø22.7X30X2	1

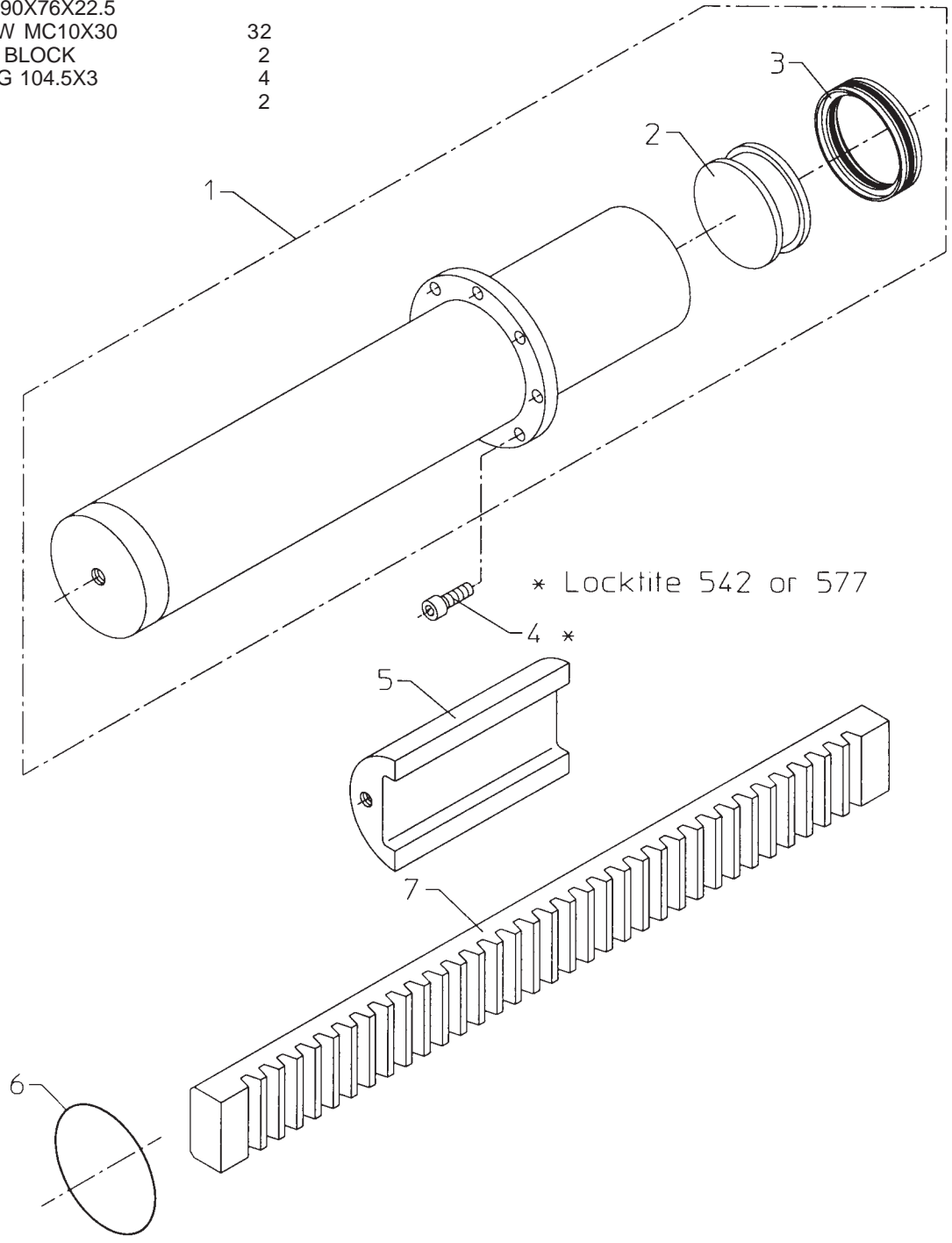


7/48: 452 01 100: 19990630

PARTS-6

ROTATION (SLEWING) SYSTEM-400°

		REF
68 92 950	SEAL KIT (INCL: 3,6)	
1. 12 90 564	ROTATION CYLINDER	4
2. 12 90 574	PISTON	
3. 20 786	SEAL 90X76X22.5	
4. 30 455	SCREW MC10X30	32
5. 12 90 593	SLIDE BLOCK	2
6. 20 195	O-RING 104.5X3	4
7. 12 90 583	RACK	2

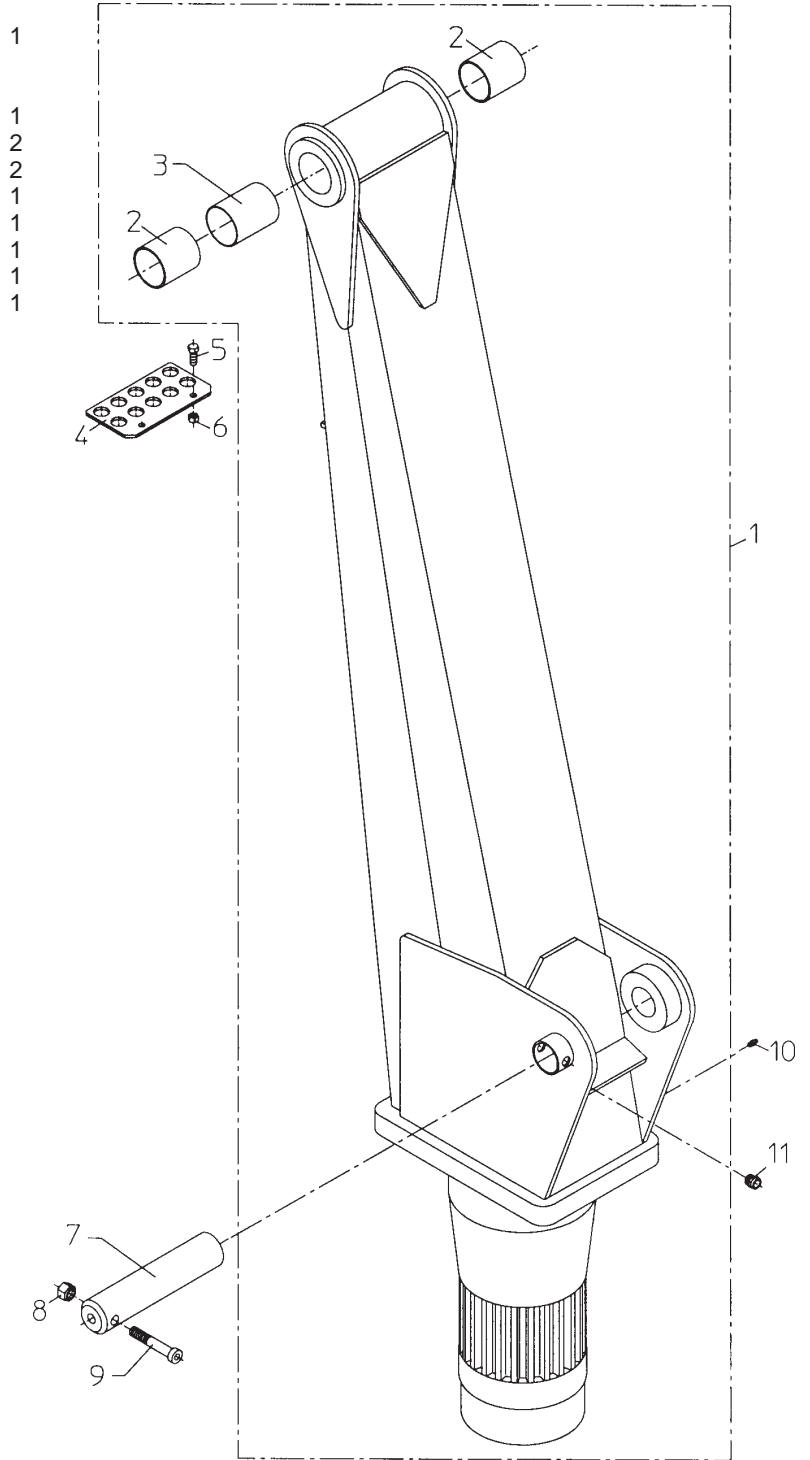


7/48: 452 01 200: 19990630

MAST (COLUMN)

- 1. 12 90 020 MAST (COMPLETE)
- 2. 23 324 BUSHING
- 3. 12 93 104 DISTANCE RING
- 4. 66 094 CLAMP
- 5. 30 132 SET SCR M8X20
- 6. 30 886 LOCK NUT M8
- 7. 12 95 184 PIN
- 8. 30 890 LOCK NUT M12
- 9. 30 963 SCREW MC12X70
- 10. 31 329 ZERK M6X1-0
- 11. 59 371 PLUG M6X1-0

PARTS-7

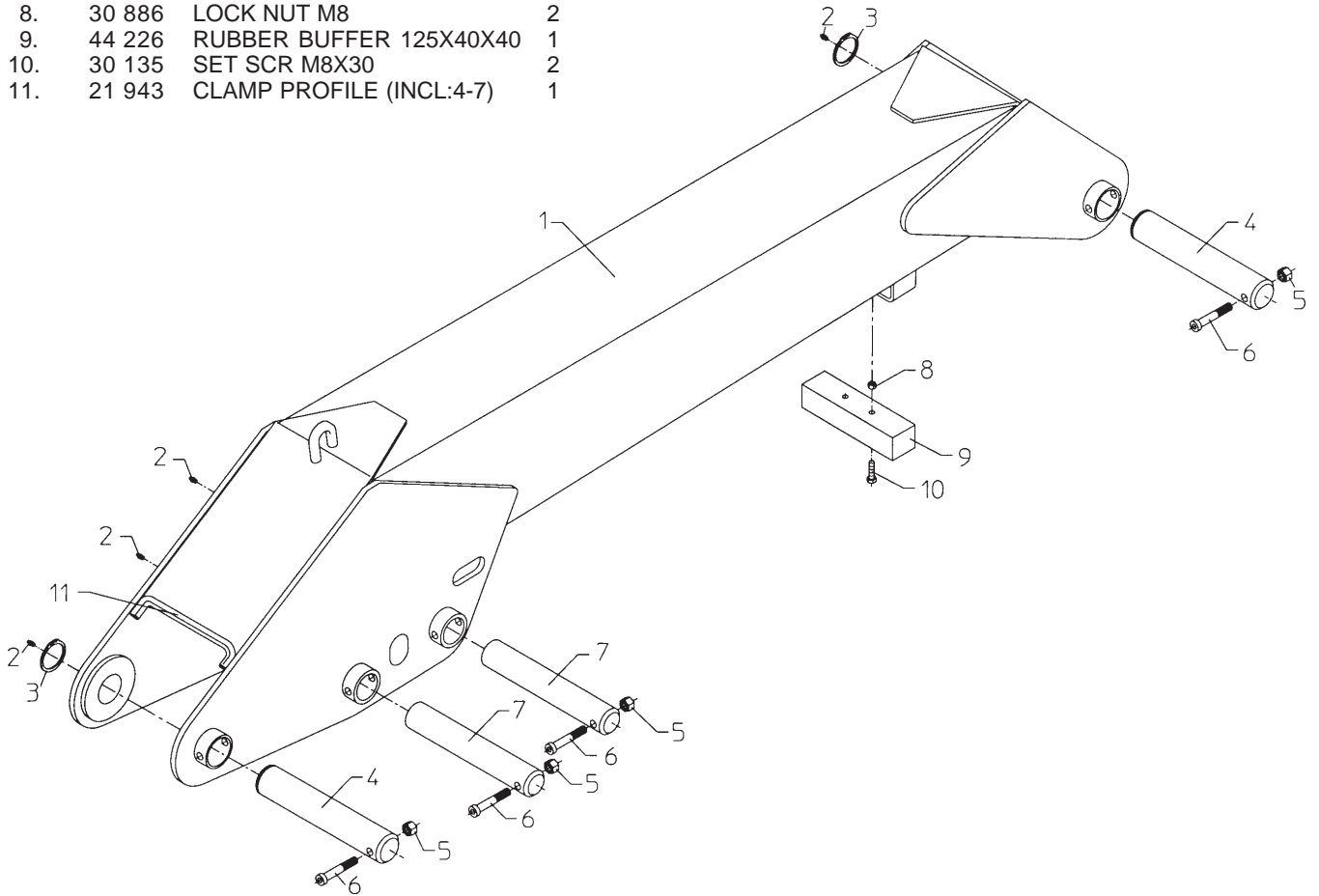


7/48: 452 02 010: 19990630

PARTS-8

INNER (MAIN) BOOM

1.	12 92 372	INNER BOOM	1
2.	31 329	ZERK M6X1-0	4
3.	33 129	CIRCLIP 50U	2
4.	12 95 194	PIN	2
5.	30 890	LOCK NUT M12	4
6.	30 963	SCREW MC12X70	4
7.	12 95 204	PIN	2
8.	30 886	LOCK NUT M8	2
9.	44 226	RUBBER BUFFER 125X40X40	1
10.	30 135	SET SCR M8X30	2
11.	21 943	CLAMP PROFILE (INCL:4-7)	1

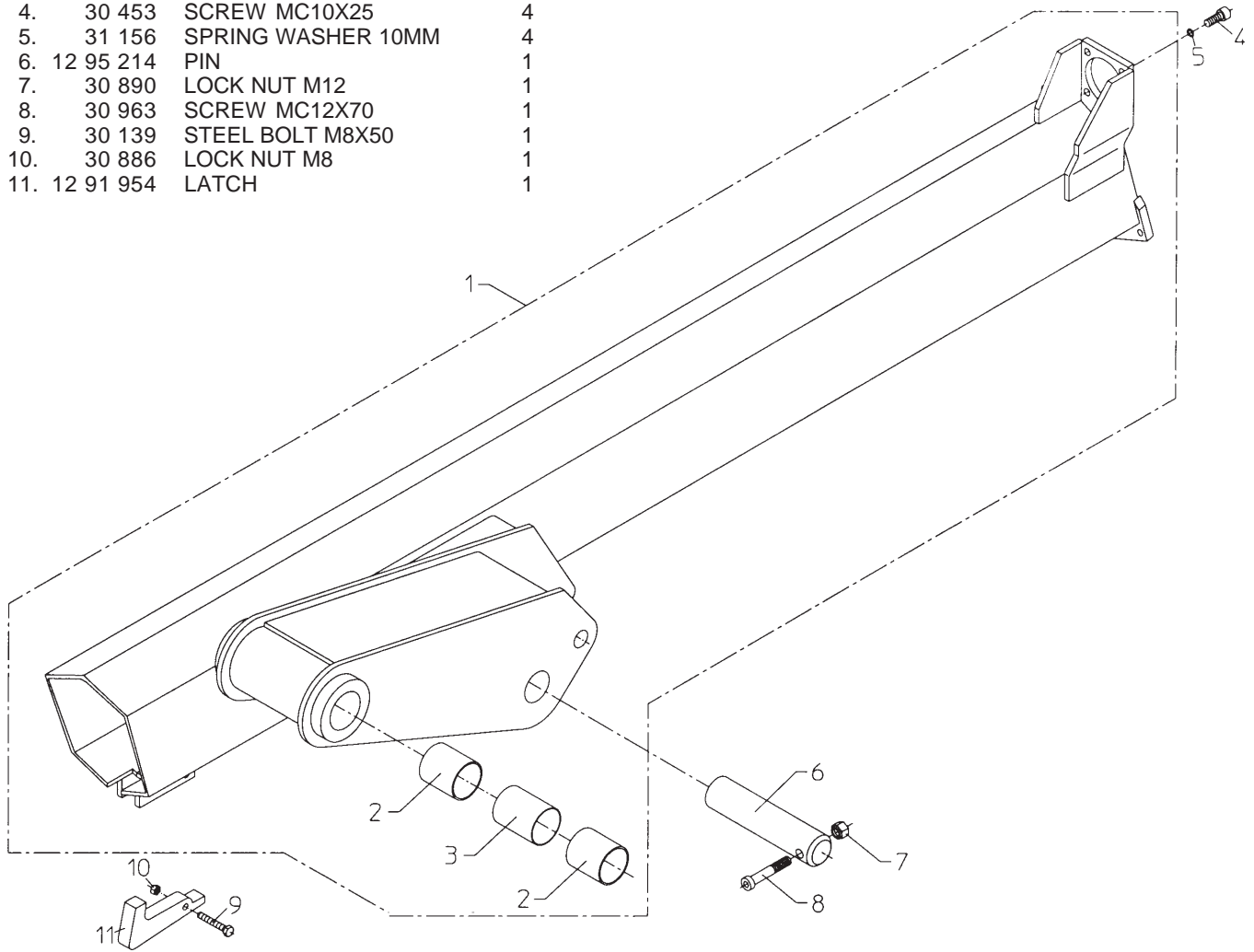


7/48: 452 02 050: 19990630

PARTS-9

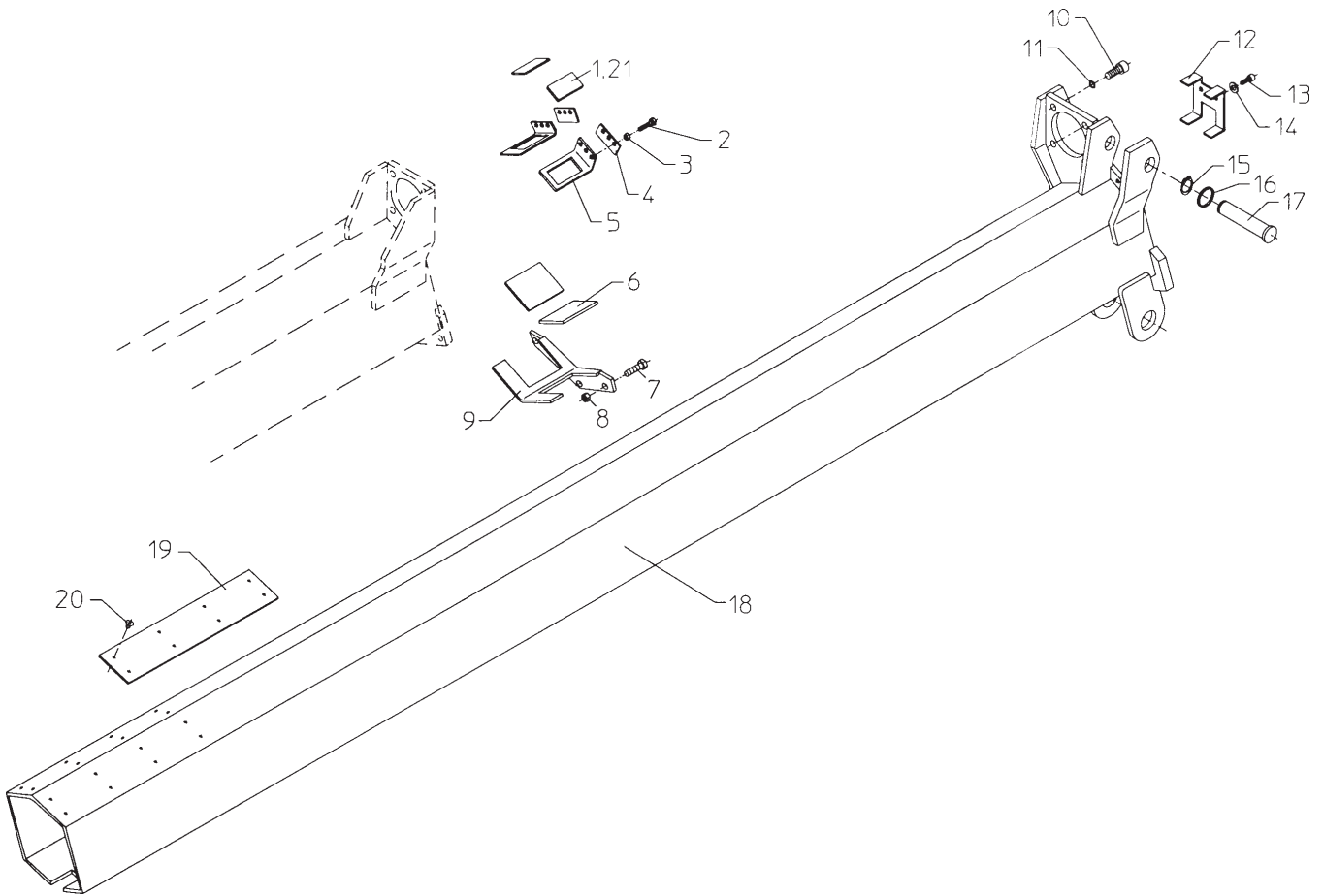
OUTER (JIB) BOOM

- | | | | |
|-----|-----------|--------------------|---|
| 1. | 12 90 030 | JIB (COMPLETE) | 1 |
| 2. | 23 324 | BUSHING PM5060DX | |
| 3. | 12 93 104 | DISTANCE RING | |
| 4. | 30 453 | SCREW MC10X25 | 4 |
| 5. | 31 156 | SPRING WASHER 10MM | 4 |
| 6. | 12 95 214 | PIN | 1 |
| 7. | 30 890 | LOCK NUT M12 | 1 |
| 8. | 30 963 | SCREW MC12X70 | 1 |
| 9. | 30 139 | STEEL BOLT M8X50 | 1 |
| 10. | 30 886 | LOCK NUT M8 | 1 |
| 11. | 12 91 954 | LATCH | 1 |



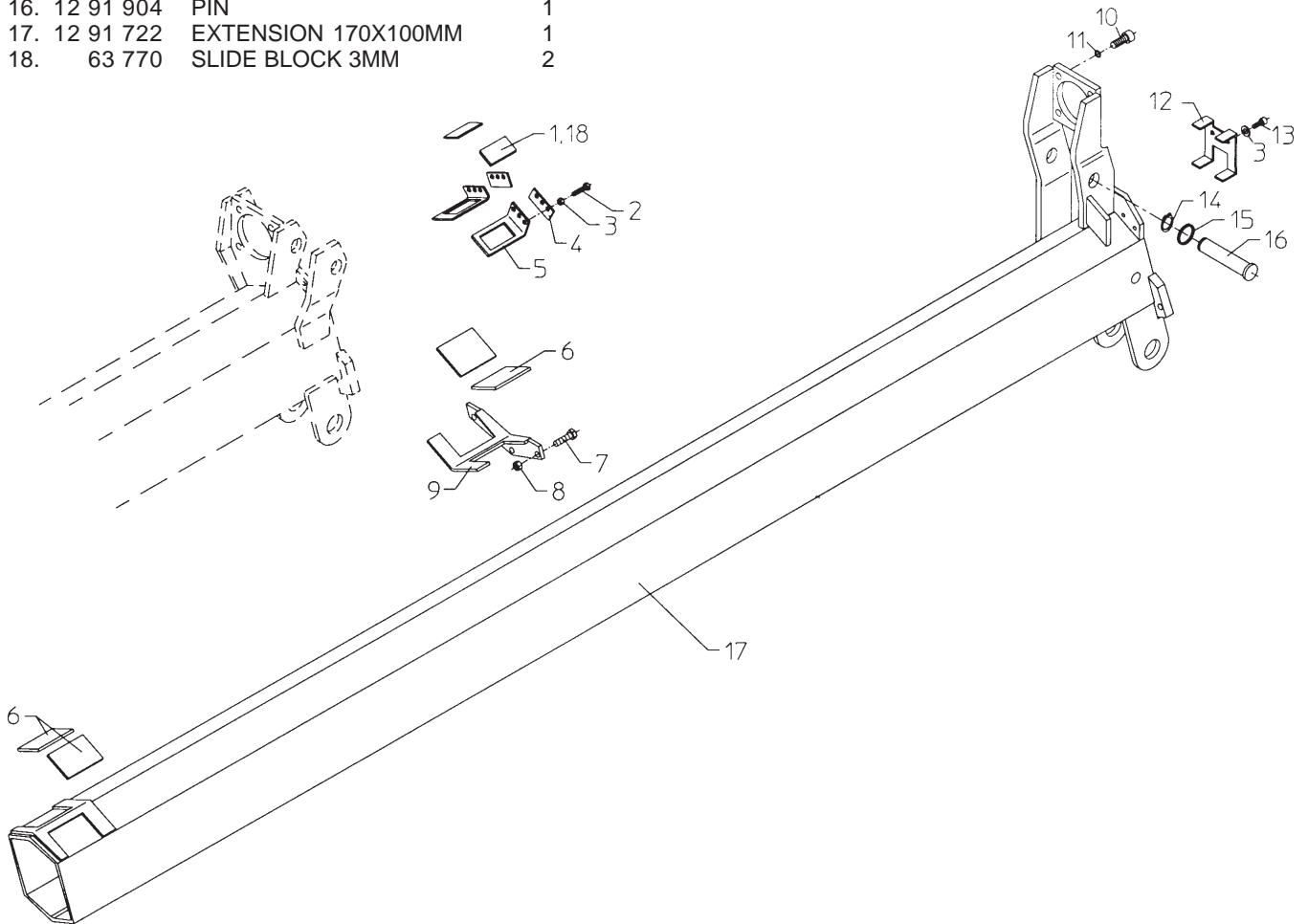
1ST STG EXT BOOM

1.	63 826	SLIDE BLOCK 4MM	2
2.	30 114	SET SCR M6X25	4
3.	30 884	LOCK NUT M6	4
4.	66 088	SPACER	1
5.	66 089	BRACKET	2
6.	63 822	SLIDE BLOCK	2
7.	30 135	SET SCR M8X30	3
8.	30 886	LOCK NUT M8	3
9.	12 91 633	BRACKET	1
10.	30 453	SCREW MC10X25	4
11.	31 156	SPRING WASHER 10MM	4
12.	66 092	BRACKET	1
13.	30 424	SCREW MC6X16	2
14.	31 154	SPRING WASHER 6MM	2
15.	33 108	CIRCLIP 20U	1
16.	31 179	WASHER 37X21X3	1
17.	12 91 904	PIN	1
18.	12 91 702	EXTENSION 193X120MM	1
19.	63X821	SLIDE BLOCK	2
20.	30 516	COUNTERSUNK SCR MK6X8	16
21.	63 770	SLIDE BLOCK 3MM	2



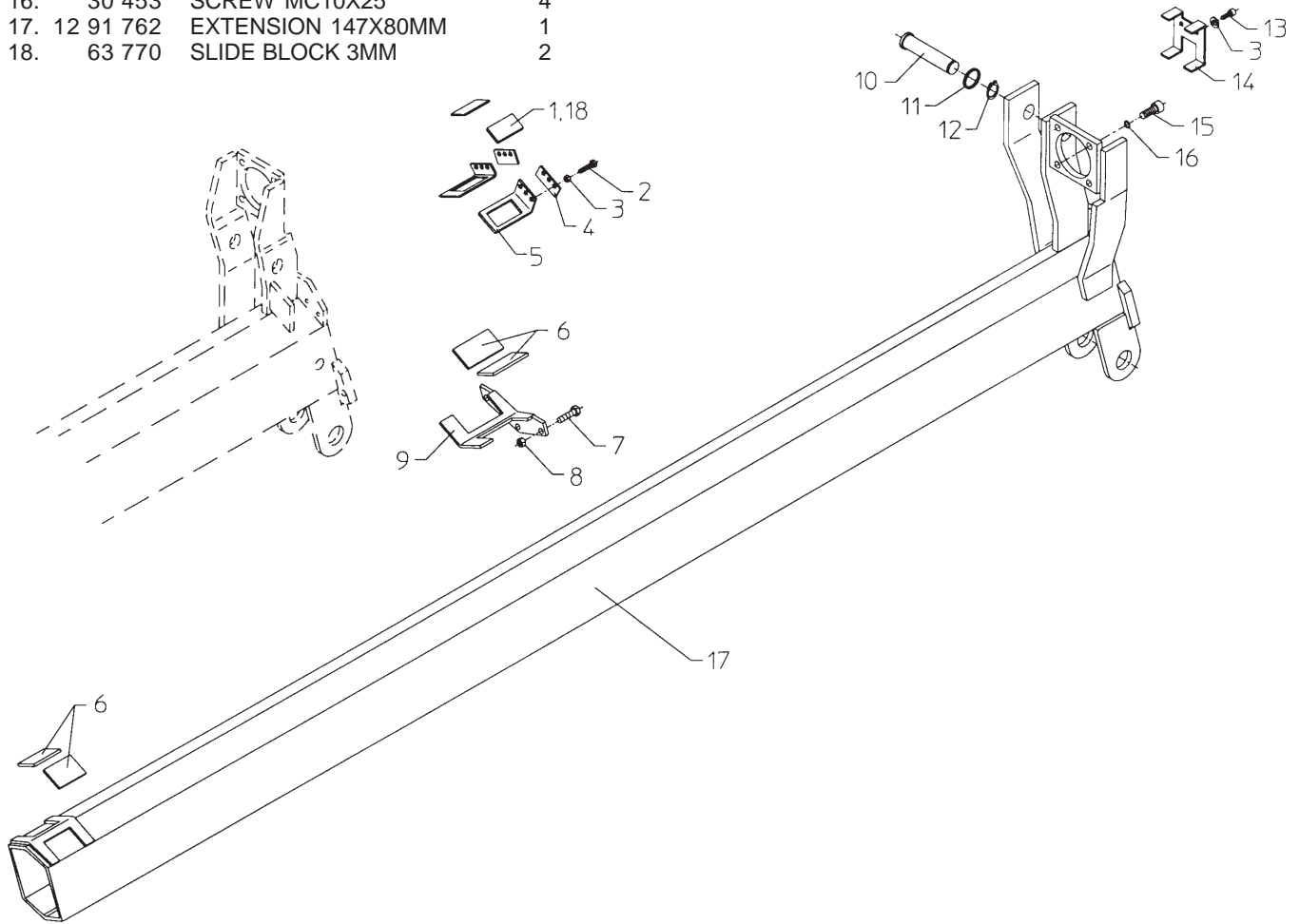
2ND STG EXT BOOM

1.	63 826	SLIDE BLOCK 4MM	2
2.	30 112	SET SCR M6X16	4
3.	31 154	SPRING WASHER 6MM	6
4.	66 088	SPACER	2
5.	66 089	BRACKET	2
6.	63 823	SLIDE BLOCK	2
7.	30 135	SET SCR M8X30	3
8.	30 886	LOCK NUT M8	3
9.	12 91 643	BRACKET	1
10.	30 453	SCREW MC10X25	4
11.	31 156	SPRING WASHER 10MM	4
12.	66 092	BRACKET	1
13.	30 424	SCREW MC6X16	2
14.	33 108	CIRCLIP 20U	1
15.	31 179	WASHER 37X21X3	1
16.	12 91 904	PIN	1
17.	12 91 722	EXTENSION 170X100MM	1
18.	63 770	SLIDE BLOCK 3MM	2



3RD STG EXT BOOM

1.	63 826	SLIDE BLOCK 4MM	2
2.	30 112	SET SCR M6X16	4
3.	31 154	SPRING WASHER 6MM	6
4.	66 088	SPACER	2
5.	66 089	BRACKET	2
6.	63 824	SLIDE BLOCK	4
7.	30 135	SET SCR M8X30	3
8.	30 886	LOCK NUT M8	3
9.	12 91 653	BRACKET	1
10.	12 91 904	PIN	1
11.	31 179	WASHER 37X21X3	1
12.	33 108	CIRCLIP 20U	1
13.	30 424	SCREW MC6X16	1
14.	66 092	BRACKET	1
15.	31 156	SPRING WASHER 10MM	4
16.	30 453	SCREW MC10X25	4
17.	12 91 762	EXTENSION 147X80MM	1
18.	63 770	SLIDE BLOCK 3MM	2

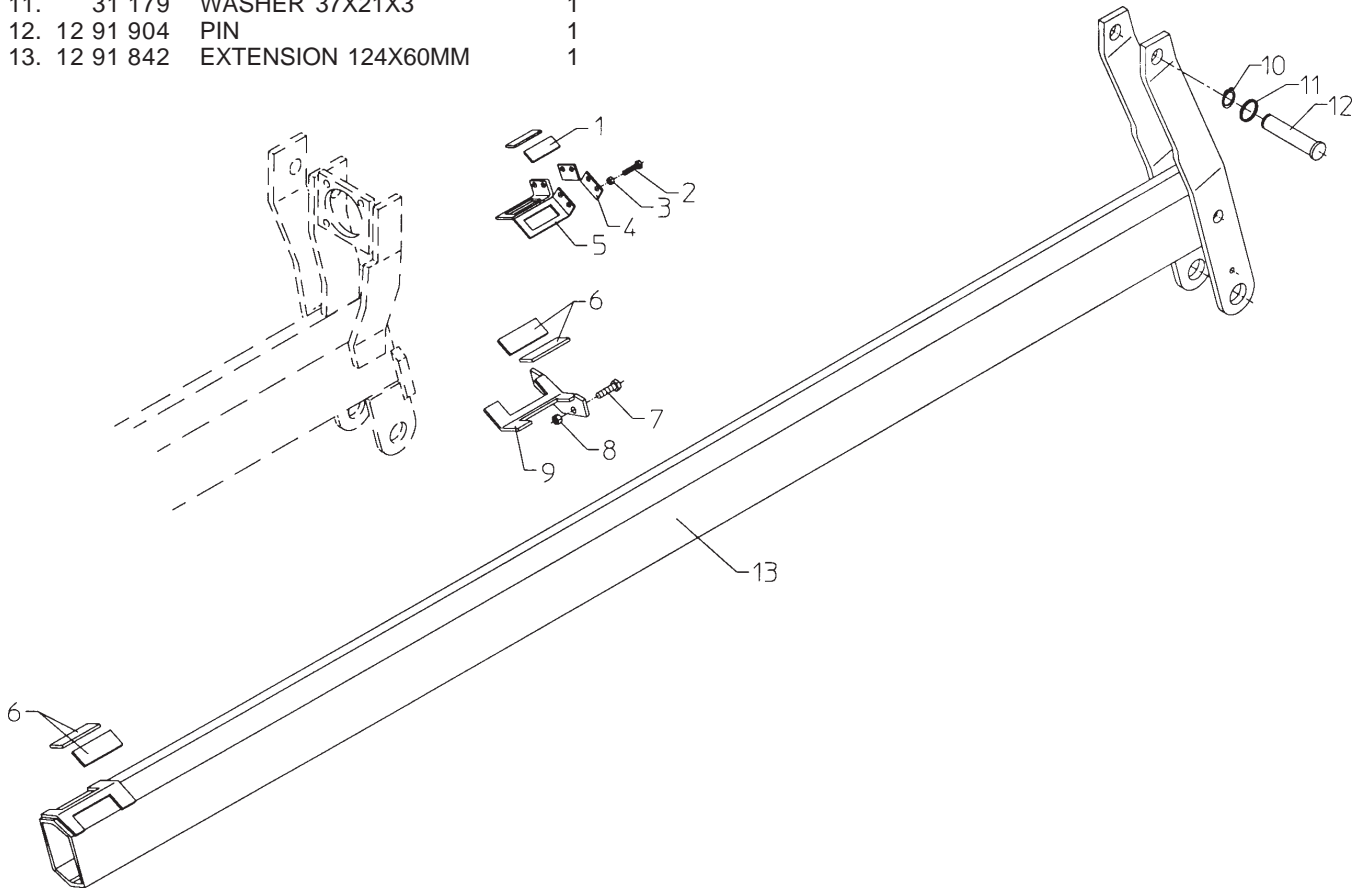


7/48: 452 02 130: 19990630

PARTS-13

4TH STG EXT BOOM

1.	63 827	SLIDE BLOCK	2
2.	30 112	SET SCR M6X16	4
3.	31 154	SPRING WASHER 6MM	4
4.	66 090	SPACER	2
5.	66 091	BRACKET	2
6.	63 825	SLIDE BLOCK	4
7.	30 135	SET SCR M8X30	2
8.	30 886	LOCK NUT M8	2
9.	12 91 663	BRACKET	1
10.	33 108	CIRCLIP 20U	1
11.	31 179	WASHER 37X21X3	1
12.	12 91 904	PIN	1
13.	12 91 842	EXTENSION 124X60MM	1

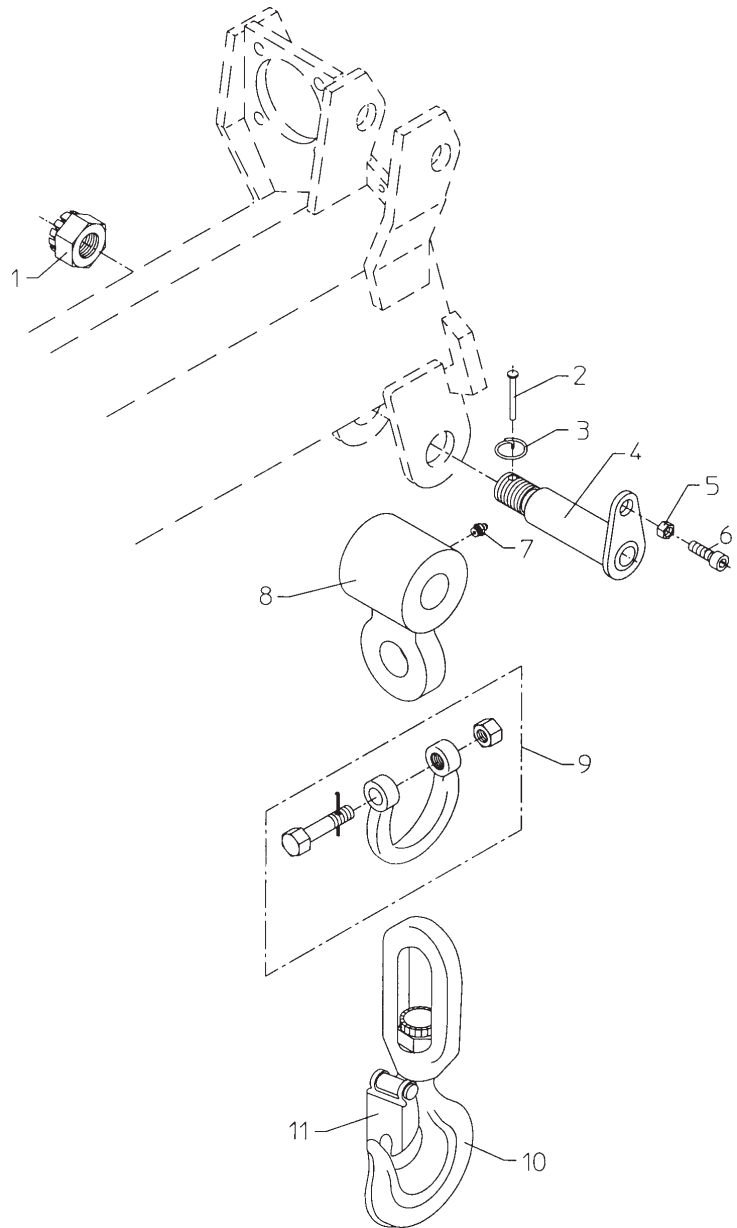


7/48: 452 02 500: 19990630

HOOK SUSPENSION

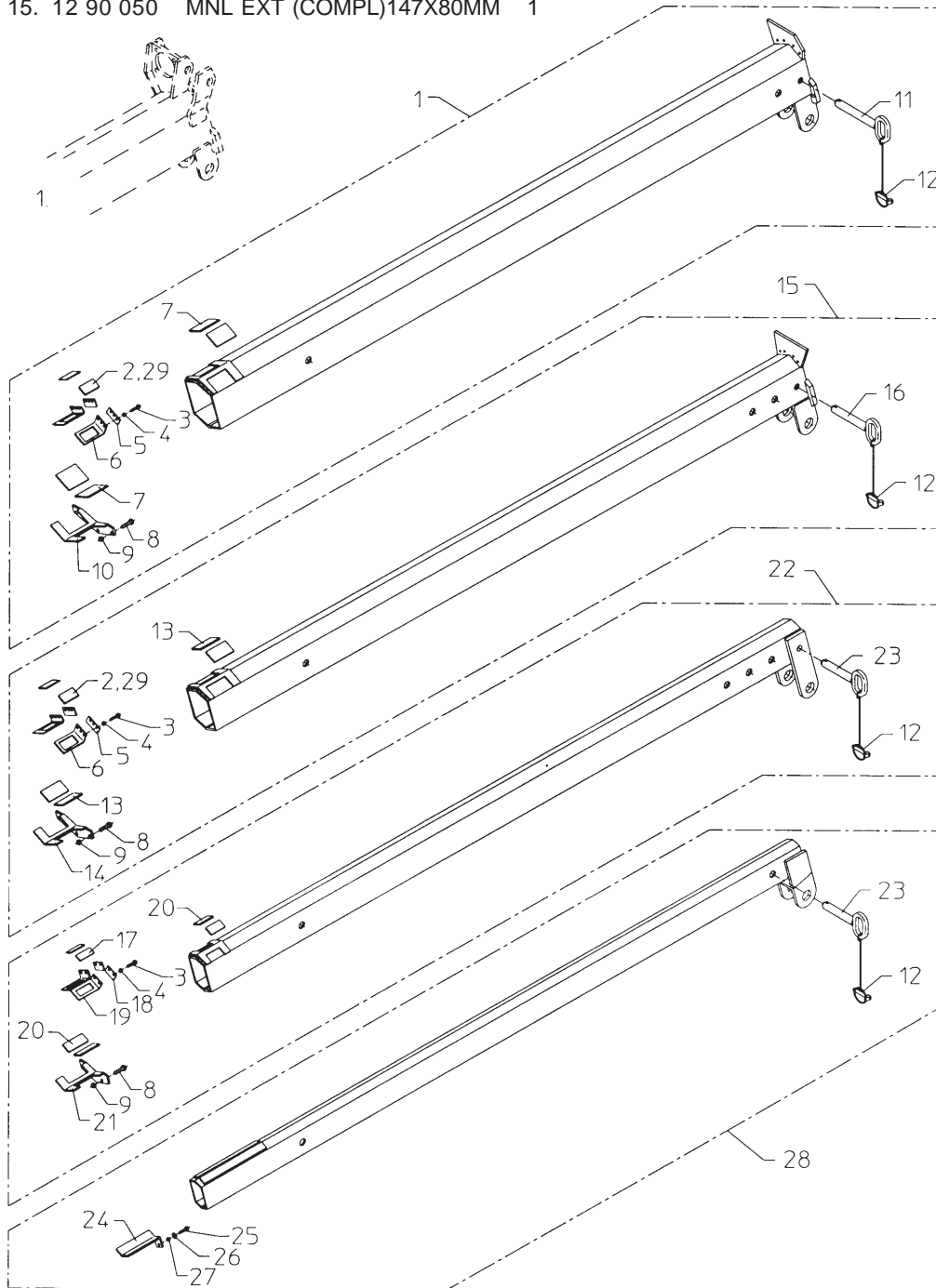
1.	30 837	NUT M24	1
2.	31 280	COTTER BOLT Ø5X40	1
3.	33 458	LOCK RING-SS	1
4.	12 93 124	PIN	1
5.	30 886	LOCK NUT M8	1
6.	30 438	SCREW MC8X20	1
7.	31 318	ZERK 1/8"RG-0	1
8.	60 82 874	SUSPENSION WELDMENT	1
9.	62 115	SHACKLE SWL 3.25TON	1
10.	62 101	HOOK 40KN	1
11.	62 143	SAFETY LATCH 4.2TON	1

PARTS-14



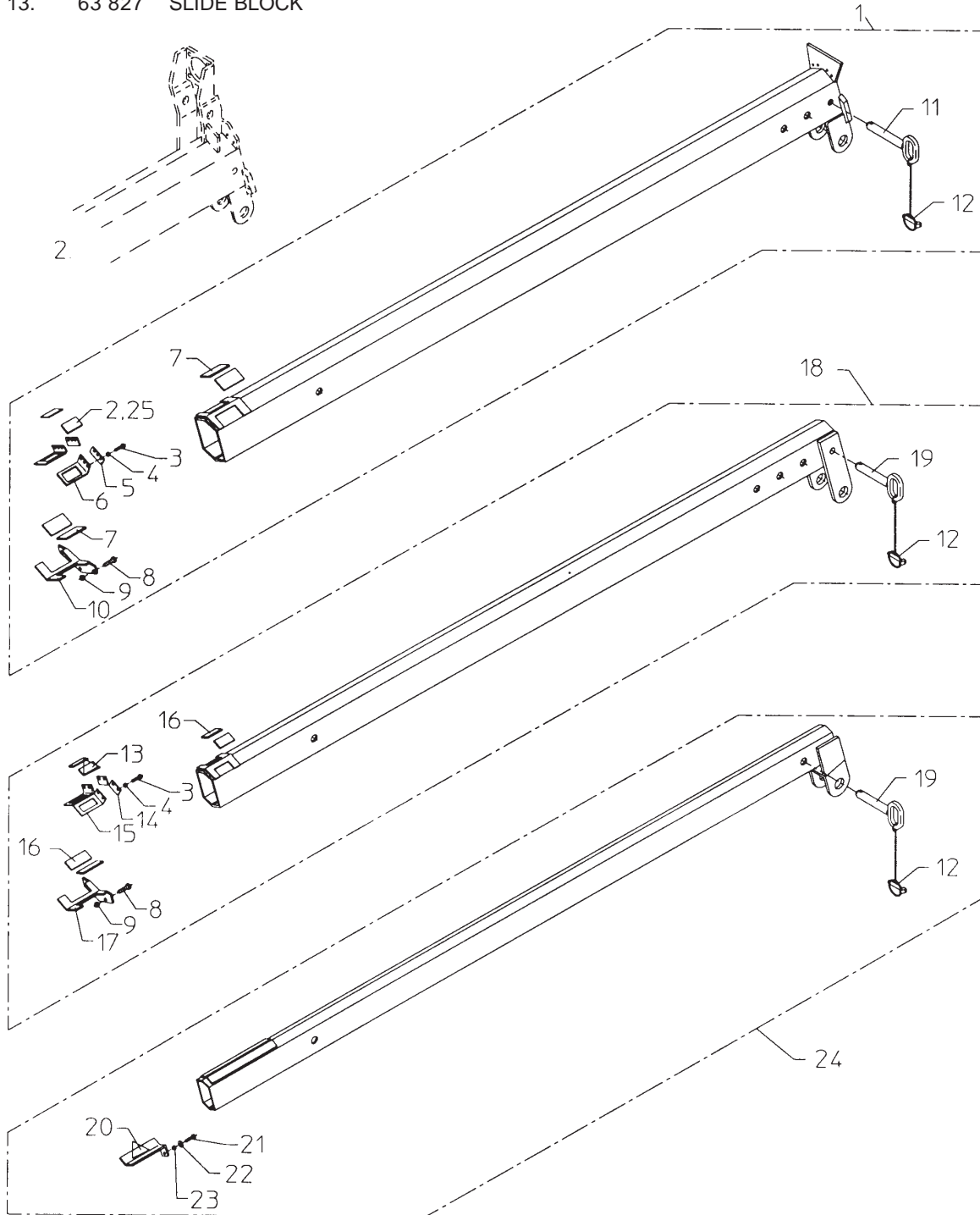
MANUAL EXTENSIONS-1H

- | | | | | | | | |
|-----|-----------|--------------------------|---|-----|-----------|-------------------------|---|
| 1. | 12 90 040 | MNL EXT (COMPL)170X100MM | 1 | 16. | 12 93 584 | PIN | |
| 2. | 63 826 | SLIDE BLOCK 4MM | | 17. | 63 827 | SLIDE BLOCK | |
| 3. | 30 112 | SET SCR M6X16 | | 18. | 66 090 | SPACER | |
| 4. | 31 154 | SPRING WASHER 6MM | | 19. | 66 091 | BRACKET | |
| 5. | 66 088 | SPACER | | 20. | 63 825 | SLIDE BLOCK | |
| 6. | 66 089 | BRACKET | | 21. | 12 91 663 | BRACKET | |
| 7. | 63 823 | SLIDE BLOCK | | 22. | 12 90 060 | MNL EXT (COMPL)124X60MM | 1 |
| 8. | 30 135 | SET SCR M8X30 | | 23. | 12 93 574 | PIN | |
| 9. | 30 886 | LOCK NUT M8 | | 24. | 66 093 | BRACKET | |
| 10. | 12 91 643 | BRACKET | | 25. | 30 114 | SET SCR M6X25 | |
| 11. | 12 93 594 | PIN | | 26. | 31 134 | WASHER 6MM | |
| 12. | 33 387 | SPLIT RING | | 27. | 30 884 | LOCK NUT M6 | |
| 13. | 63 824 | SLIDE BLOCK | | 28. | 12 90 070 | MNL EXT (COMPL)101X45MM | 1 |
| 14. | 12 91 653 | BRACKET | | 29. | 63 770 | SLIDE BLOCK 3MM | |
| 15. | 12 90 050 | MNL EXT (COMPL)147X80MM | 1 | | | | |



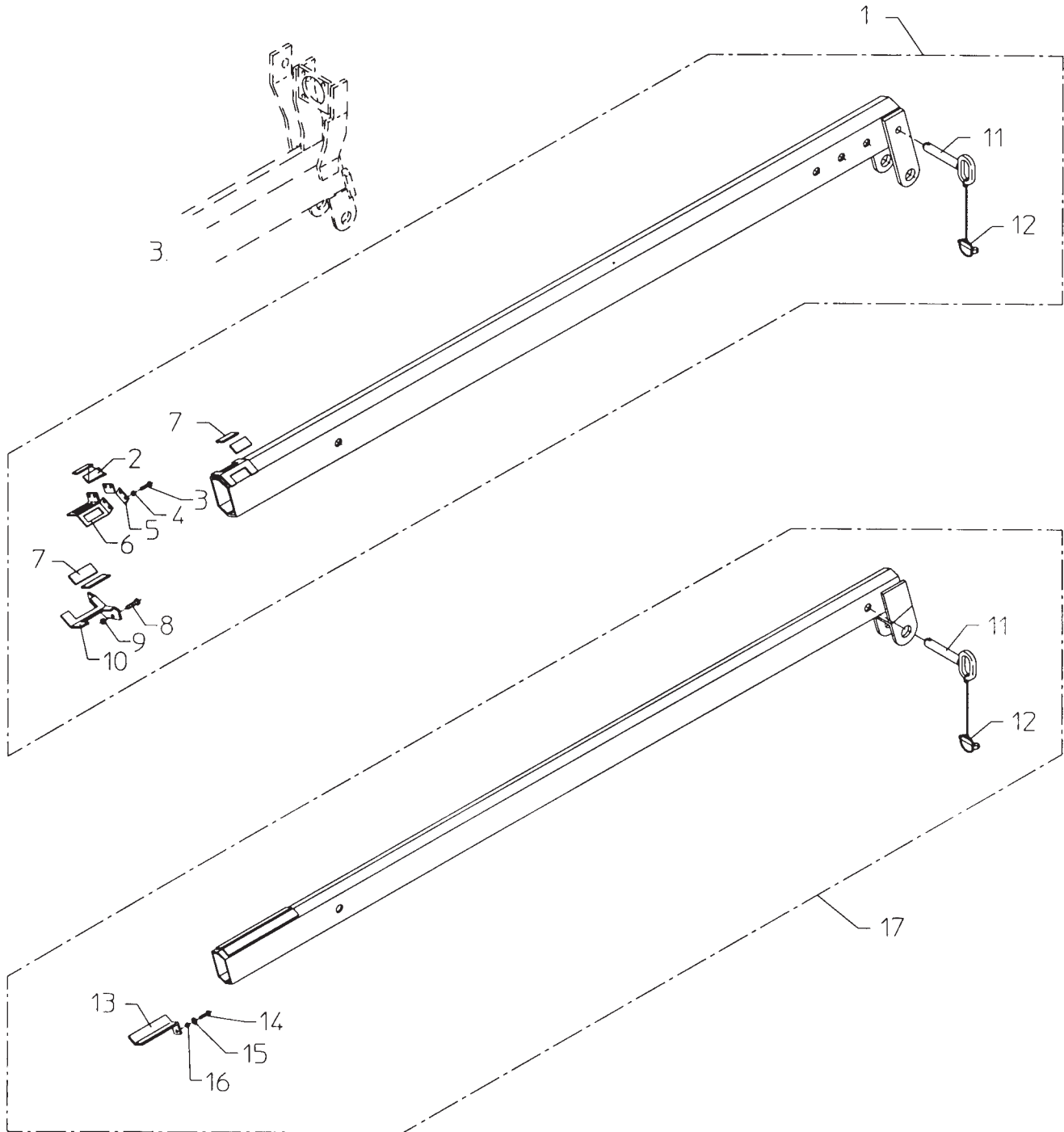
MANUAL EXTENSIONS-2H

- | | | | | | | | |
|-----|-----------|-------------------------|---|-----|-----------|-------------------------|---|
| 1. | 12 90 050 | MNL EXT (COMPL)147X80MM | 1 | 14. | 66 090 | SPACER | |
| 2. | 63 826 | SLIDE BLOCK 4MM | | 15. | 66 091 | BRACKET | |
| 3. | 30 112 | SET SCR M6X16 | | 16. | 63 825 | SLIDE BLOCK | |
| 4. | 31 154 | SPRING WASHER 6MM | | 17. | 12 91 663 | BRACKET | |
| 5. | 66 088 | SPACER | | 18. | 12 90 060 | MNL EXT (COMPL)124X60MM | 1 |
| 6. | 66 089 | BRACKET | | 19. | 12 93 574 | PIN | |
| 7. | 63 824 | SLIDE BLOCK | | 20. | 66 093 | BRACKET | |
| 8. | 30 135 | SET SCR M8X30 | | 21. | 30 114 | SET SCR M6X25 | |
| 9. | 30 886 | LOCK NUT M8 | | 22. | 31 134 | WASHER 6MM | |
| 10. | 12 91 653 | BRACKET | | 23. | 30 884 | LOCK NUT M6 | |
| 11. | 12 93 584 | PIN | | 24. | 12 90 070 | MNL EXT (COMPL)101X45MM | 1 |
| 12. | 33 387 | SPLIT RING | | 25. | 63 770 | SLIDE BLOCK 3MM | |
| 13. | 63 827 | SLIDE BLOCK | | | | | |



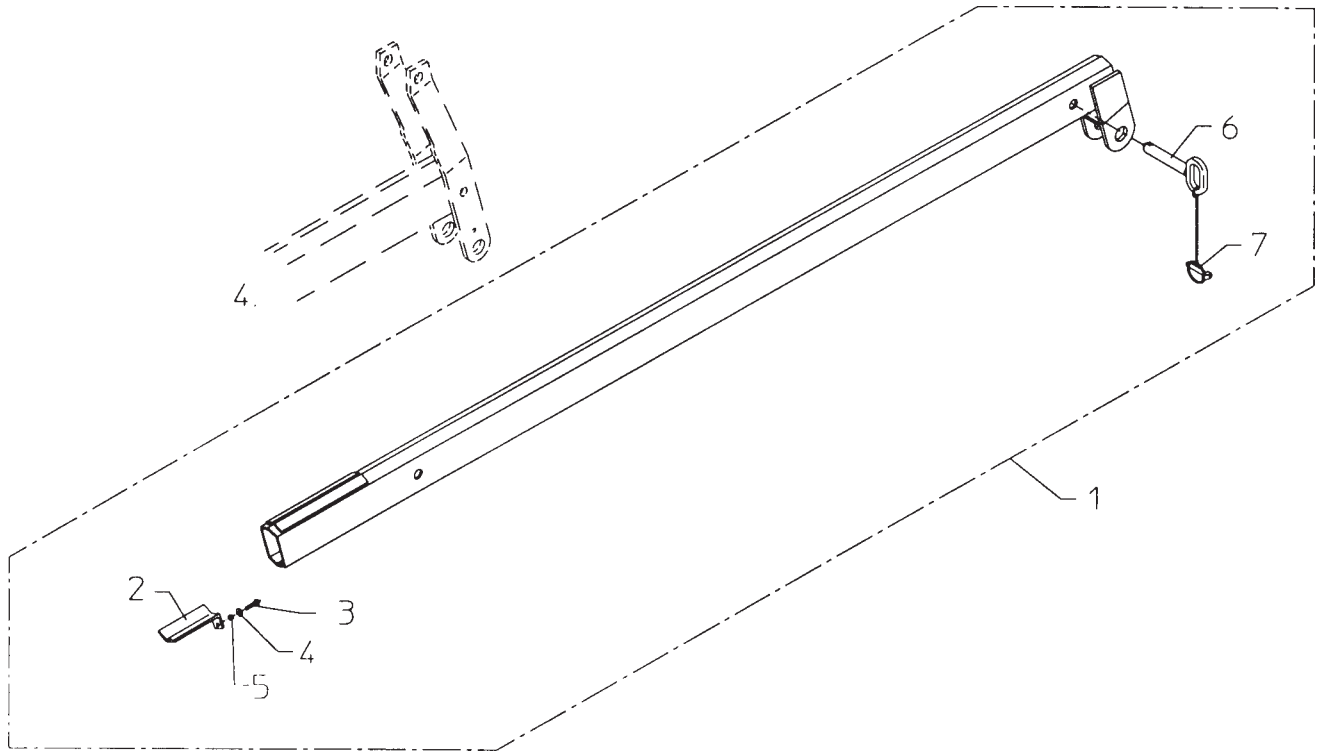
MANUAL EXTENSIONS-3H

- | | | | | | | | |
|----|-----------|-------------------------|---|-----|-----------|-------------------------|---|
| 1. | 12 90 060 | MNL EXT (COMPL)124X60MM | 1 | 10. | 12 91 663 | BRACKET | |
| 2. | 63 827 | SLIDE BLOCK | | 11. | 12 93 574 | PIN | |
| 3. | 30 112 | SET SCR M6X16 | | 12. | 33 387 | SPLIT RING Ø8 | |
| 4. | 31 154 | SPRING WASHER 6MM | | 13. | 66 093 | BRACKET | |
| 5. | 66 090 | SPACER | | 14. | 30 114 | SET SCR M6X25 | |
| 6. | 66 091 | BRACKET | | 15. | 31 134 | WASHER 6MM | |
| 7. | 63 825 | SLIDE BLOCK | | 16. | 30 884 | LOCK NUT M6 | |
| 8. | 30 135 | SET SCR M8X30 | | 17. | 12 90 070 | MNL EXT (COMPL)101X45MM | 1 |
| 9. | 30 886 | LOCK NUT M8 | | | | | |



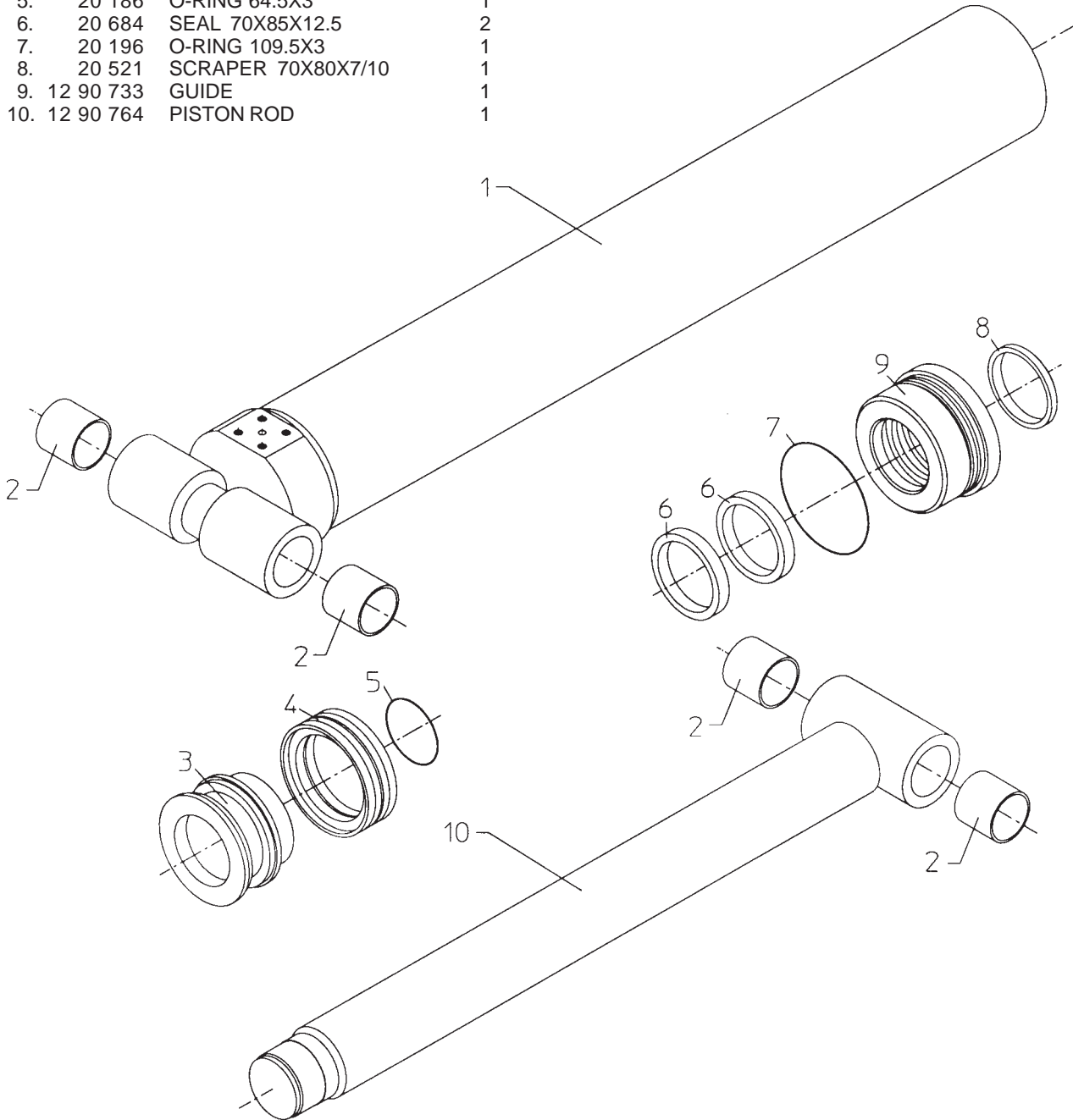
MANUAL EXTENSIONS-4H

- 1. 12 90 070 MNL EXT (COMPL)101X45MM 1
- 2. 66 093 BRACKET
- 3. 30 114 SET SCR M6X25
- 4. 31 134 WASHER 6MM
- 5. 30 884 LOCK NUT M6
- 6. 12 93 574 PIN
- 7. 33 387 SPLIT RING Ø8



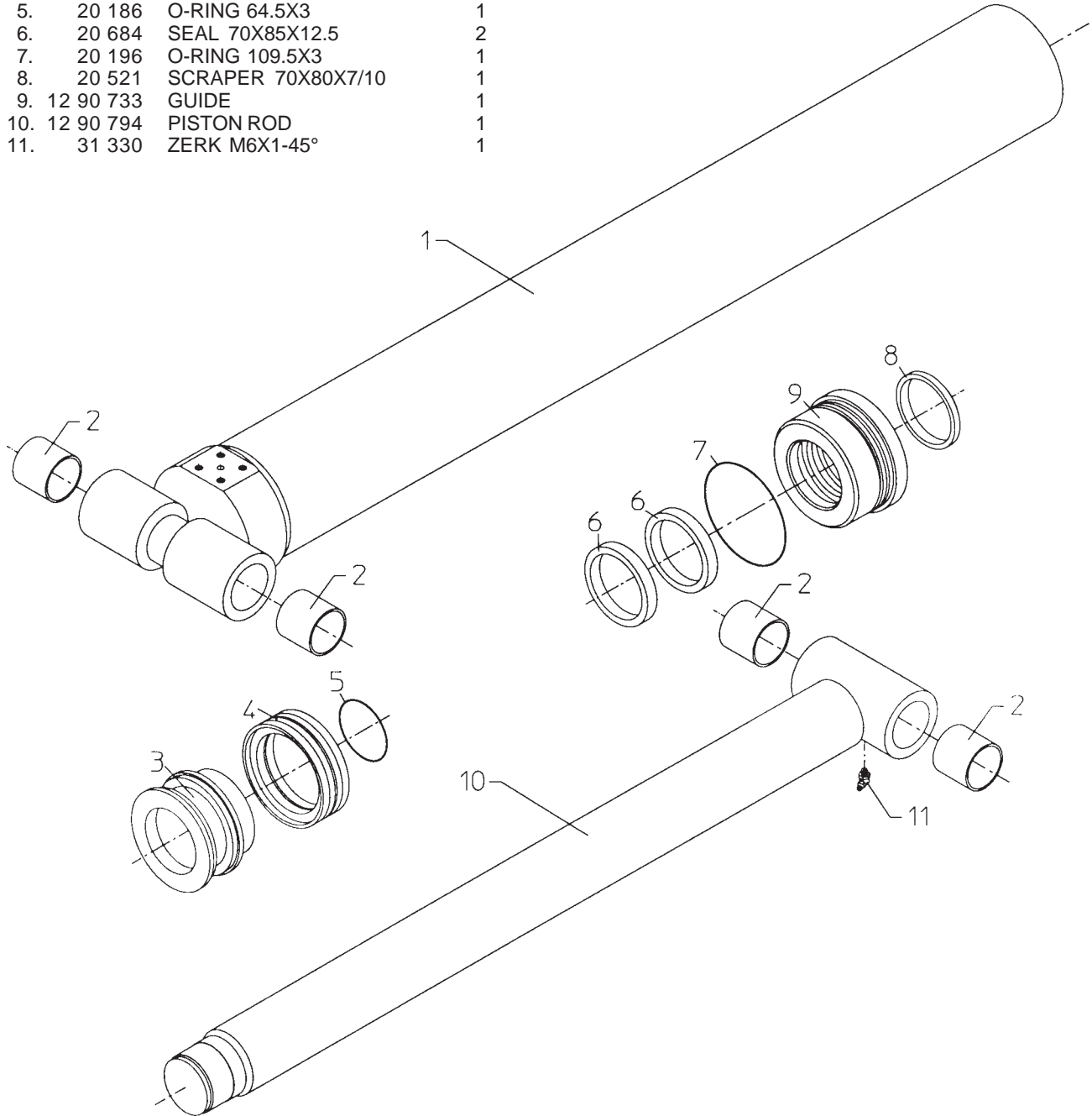
INNER BOOM CYLINDER C110-600

12 90 773	BOOM CYLINDER	1
68 92 960	SEAL KIT	1
1. 12 90 713	CYLINDER	1
2. 23 319	BUSHING PM4545DX	4
3. 12 90 723	PISTON	1
4. 20 642	DBL SLEEVE 110X85X22.4	1
5. 20 186	O-RING 64.5X3	1
6. 20 684	SEAL 70X85X12.5	2
7. 20 196	O-RING 109.5X3	1
8. 20 521	SCRAPER 70X80X7/10	1
9. 12 90 733	GUIDE	1
10. 12 90 764	PISTON ROD	1



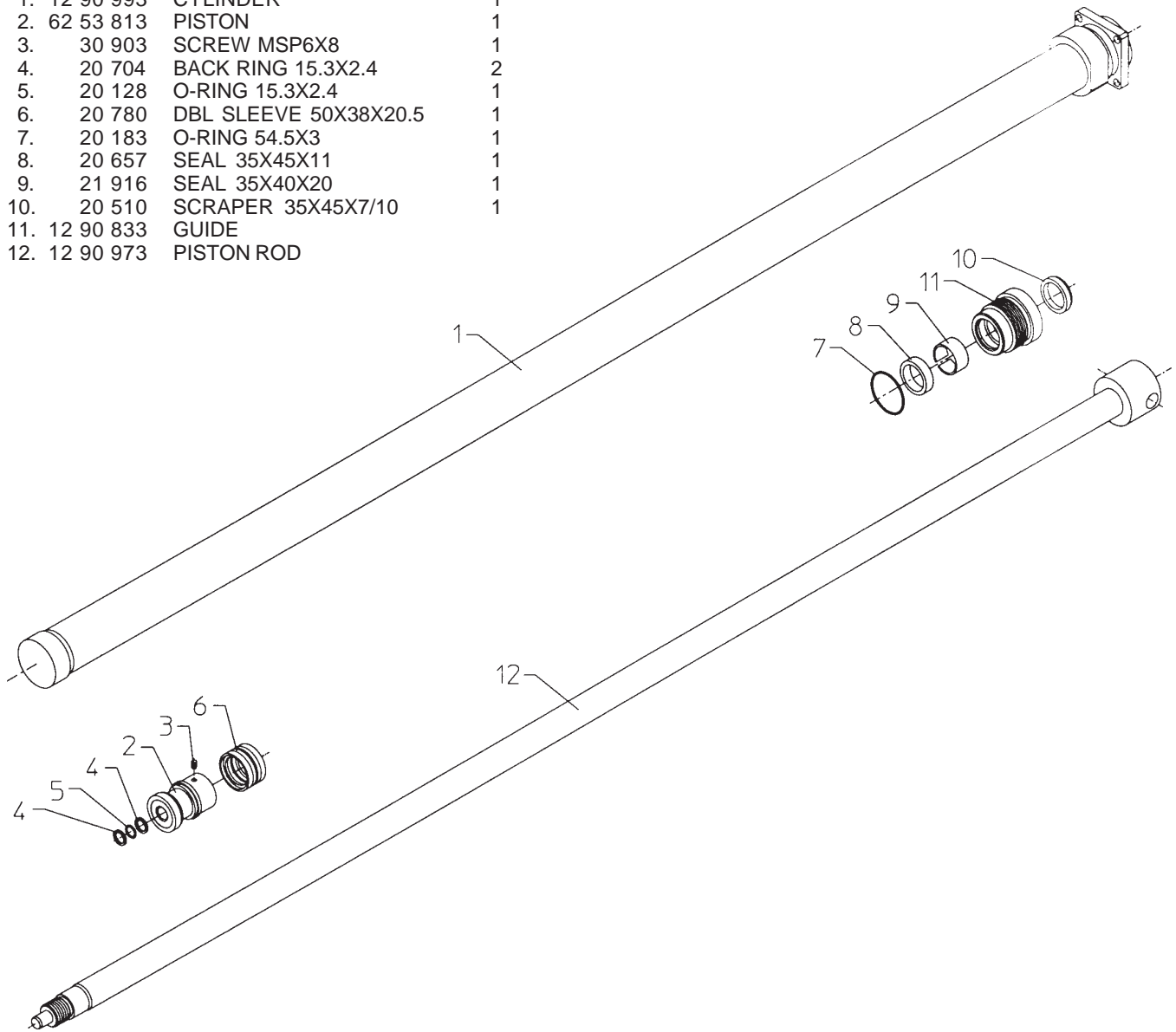
OUTER (JIB) BOOM CYLINDER C110-760

12 90 823	INNER CYLINDER	1
68 92 960	SEAL KIT (INCL:4-8)	1
1. 12 90 813	CYLINDER	1
2. 23 319	BUSHING PM4545DX	4
3. 12 90 723	PISTON	1
4. 20 642	DBL SLEEVE 110X85X22.4	1
5. 20 186	O-RING 64.5X3	1
6. 20 684	SEAL 70X85X12.5	2
7. 20 196	O-RING 109.5X3	1
8. 20 521	SCRAPER 70X80X7/10	1
9. 12 90 733	GUIDE	1
10. 12 90 794	PISTON ROD	1
11. 31 330	ZERK M6X1-45°	1



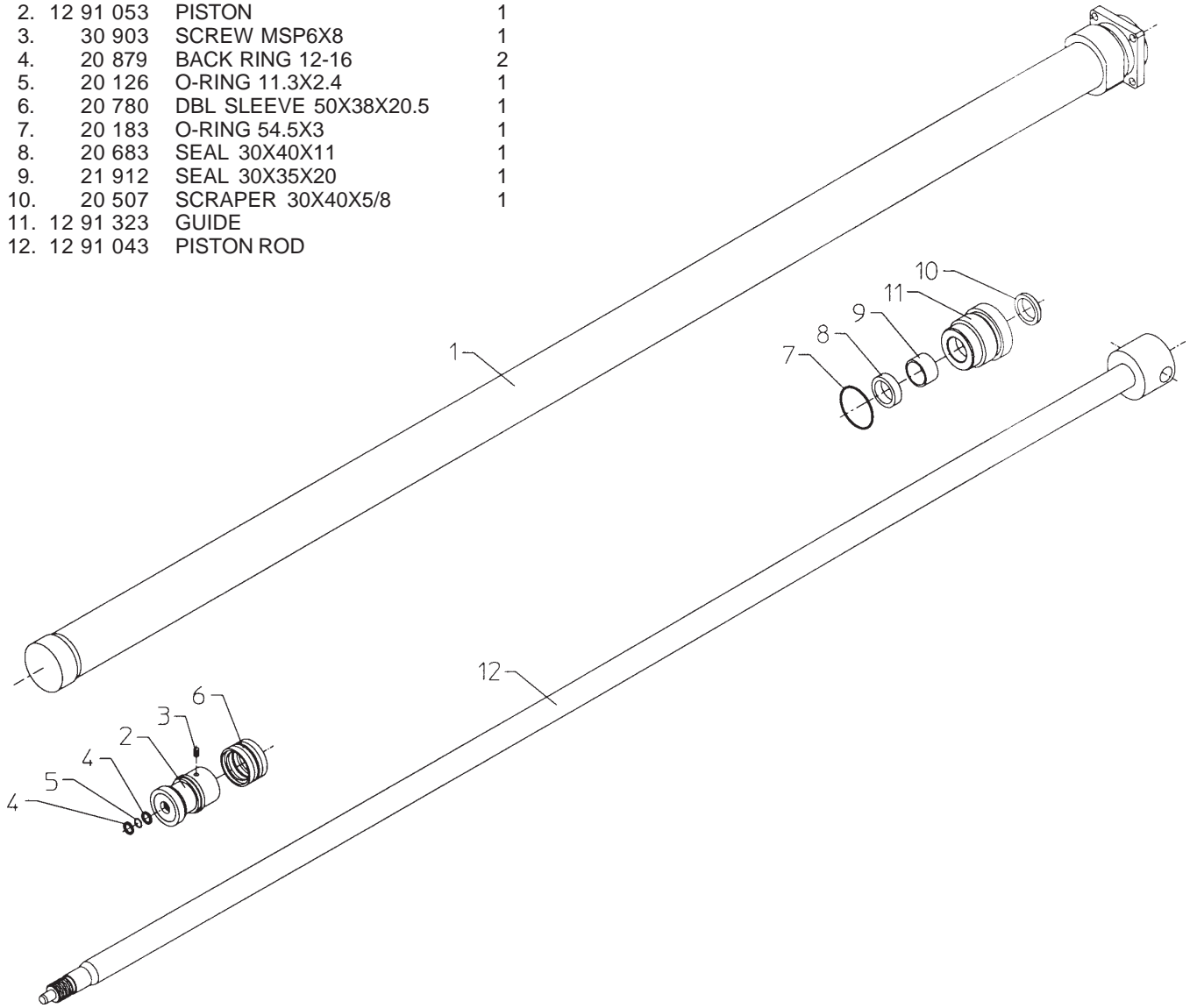
EXTENSION CYLINDER C50-1700 (Ø35/Ø20)

12 91 003	EXT CYLINDER	1
68 92 970	SEAL KIT (INCL:4-10)	1
1. 12 90 993	CYLINDER	1
2. 62 53 813	PISTON	1
3. 30 903	SCREW MSP6X8	1
4. 20 704	BACK RING 15.3X2.4	2
5. 20 128	O-RING 15.3X2.4	1
6. 20 780	DBL SLEEVE 50X38X20.5	1
7. 20 183	O-RING 54.5X3	1
8. 20 657	SEAL 35X45X11	1
9. 21 916	SEAL 35X40X20	1
10. 20 510	SCRAPER 35X45X7/10	1
11. 12 90 833	GUIDE	1
12. 12 90 973	PISTON ROD	1



EXTENSION CYLINDER C50-1700 (Ø30/Ø16)

12 91 063	EXT CYLINDER	1
68 92 980	SEAL KIT (INCL:4-10)	1
1. 12 90 993	CYLINDER	1
2. 12 91 053	PISTON	1
3. 30 903	SCREW MSP6X8	1
4. 20 879	BACK RING 12-16	2
5. 20 126	O-RING 11.3X2.4	1
6. 20 780	DBL SLEEVE 50X38X20.5	1
7. 20 183	O-RING 54.5X3	1
8. 20 683	SEAL 30X40X11	1
9. 21 912	SEAL 30X35X20	1
10. 20 507	SCRAPER 30X40X5/8	1
11. 12 91 323	GUIDE	
12. 12 91 043	PISTON ROD	

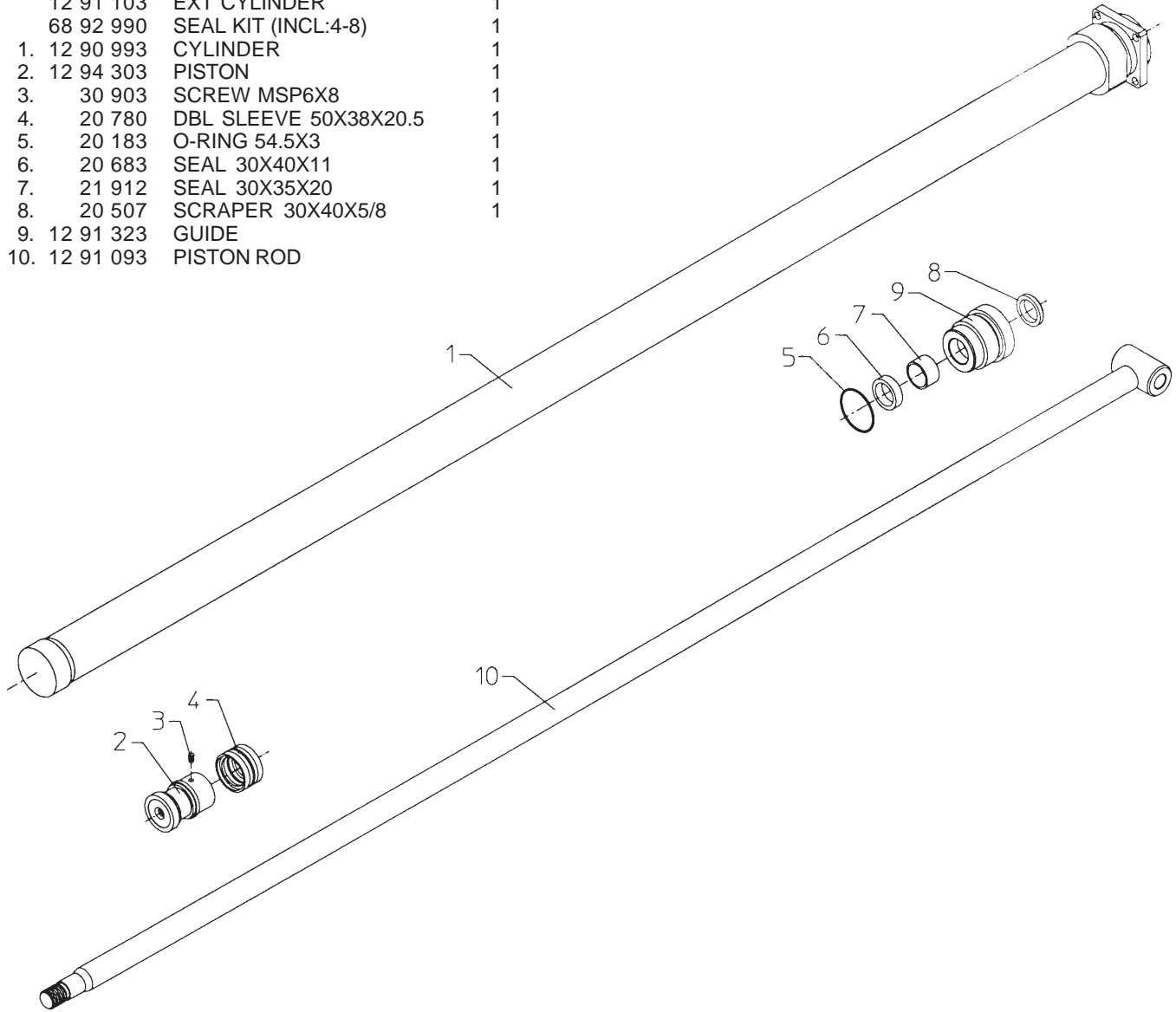


7/48: 452 03 120: 19990630

PARTS-23

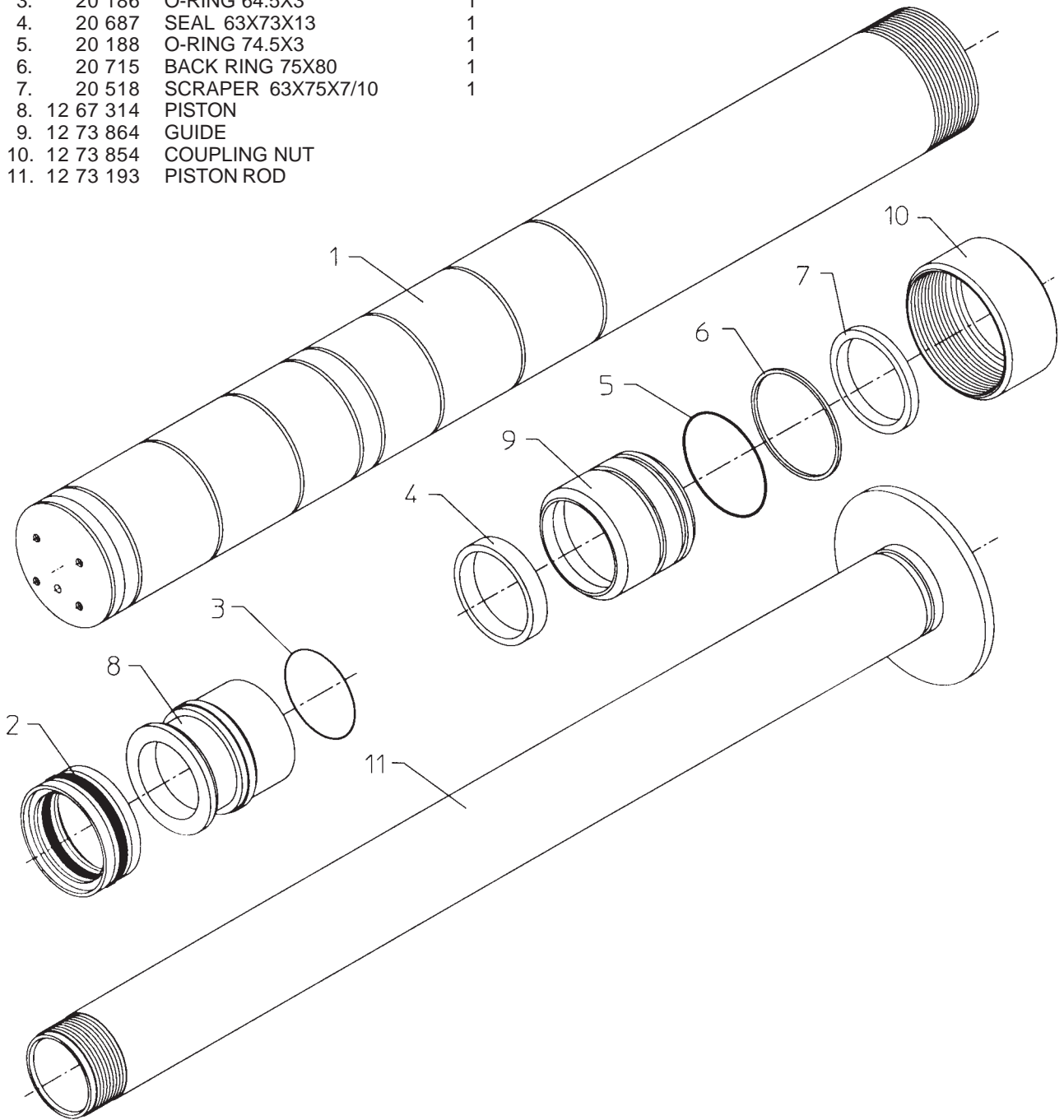
EXTENSION CYLINDER C50-1700 (Ø30)

12 91 103	EXT CYLINDER	1
68 92 990	SEAL KIT (INCL:4-8)	1
1. 12 90 993	CYLINDER	1
2. 12 94 303	PISTON	1
3. 30 903	SCREW MSP6X8	1
4. 20 780	DBL SLEEVE 50X38X20.5	1
5. 20 183	O-RING 54.5X3	1
6. 20 683	SEAL 30X40X11	1
7. 21 912	SEAL 30X35X20	1
8. 20 507	SCRAPER 30X40X5/8	1
9. 12 91 323	GUIDE	1
10. 12 91 093	PISTON ROD	1



STABILIZER CYLINDER C80-640

	12 73 872	STABILIZER CYLINDER	1
	68 92 600	SEAL KIT (INCL:2-7)	1
1.	12 73 213	CYLINDER	1
2.	20 785	SEAL 80X66X22.5	1
3.	20 186	O-RING 64.5X3	1
4.	20 687	SEAL 63X73X13	1
5.	20 188	O-RING 74.5X3	1
6.	20 715	BACK RING 75X80	1
7.	20 518	SCRAPER 63X75X7/10	1
8.	12 67 314	PISTON	
9.	12 73 864	GUIDE	
10.	12 73 854	COUPLING NUT	
11.	12 73 193	PISTON ROD	

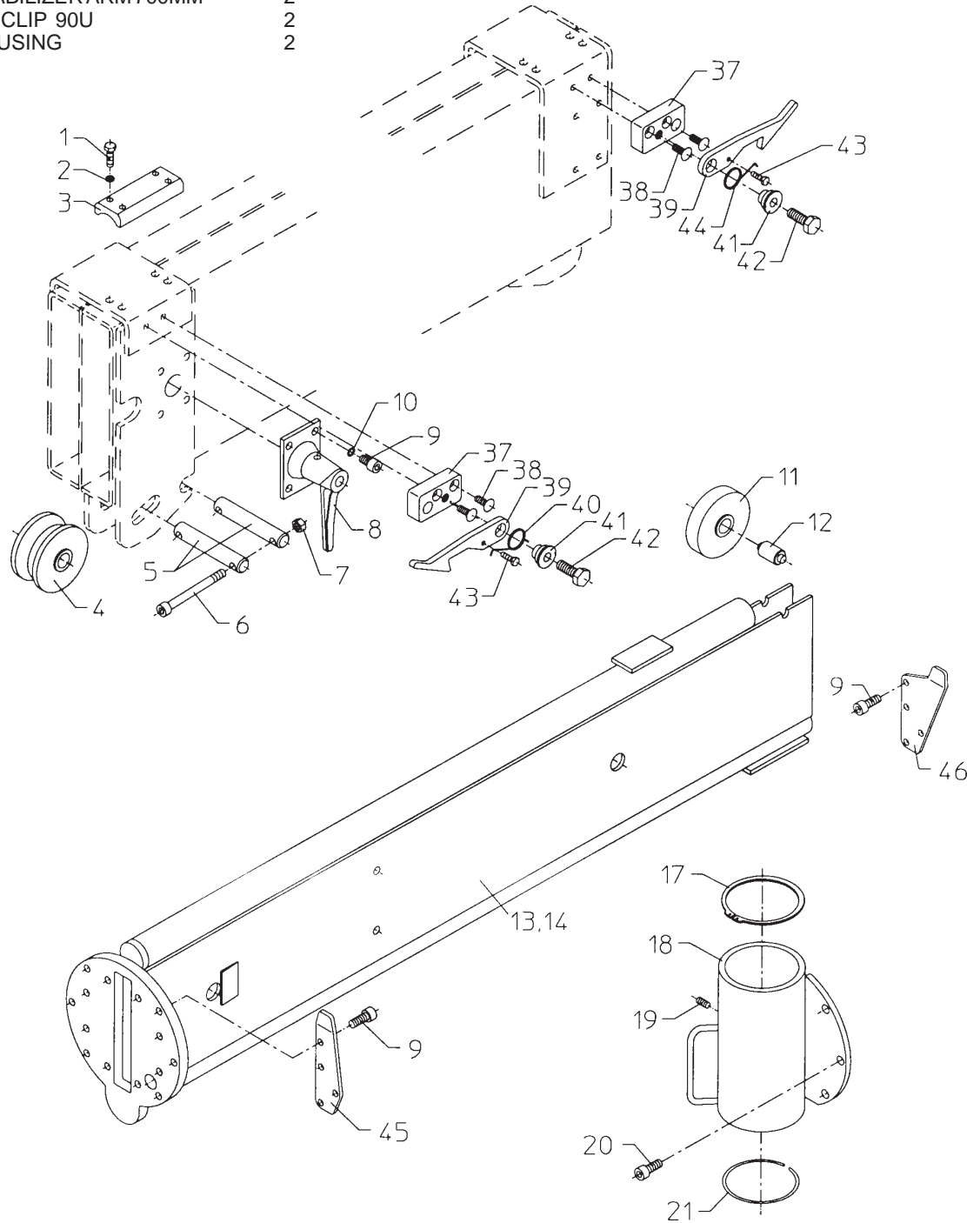


7/48: 452 04 010: 20111213

PARTS-25

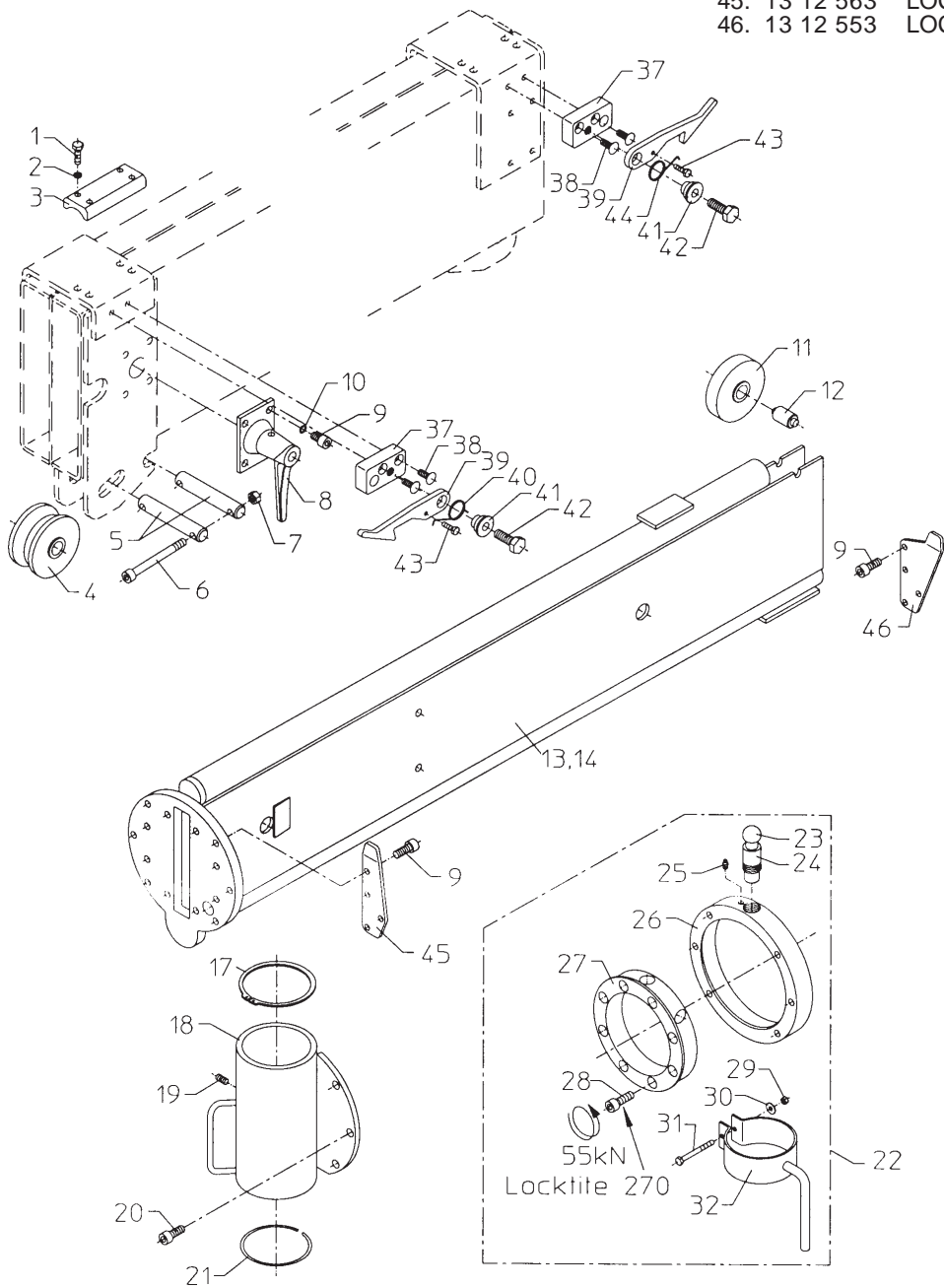
STABILIZER BEAM SV

1.	30 134	SET SCR M8X25	8	19.	30 566	POINTING SCR MSP9X16	2
2.	31 155	SPRING WASHER 8MM	8	20.	30 453	SCREW MC10X25	12
3.	12 92 773	STOP	2	21.	33 446	LOCK RING	2
4.	12 92 784	GUIDE ROLLER	2	37.	13 12 543	BRACKET	2
5.	12 92 794	PIN	4	38.	30 583	SCREW MK8X25	4
6.	32 427	SCREW MC10X110	4	39.	62 45 244	HOOK	2
7.	30 888	LOCK NUT M10	4	40.	33 474	SPRING	1
8.	66 61 734	LOCKING DEVICE	2	41.	62 45 264	BUSHING	2
9.	30 964	SCREW MC10X16	12	42.	30 178	SET SCR M12X35	2
10.	31 156	SPRING WASHER 10MM	8	43.	30 579	COUNTERSUNK SCR MK6X20	2
11.	12 92 894	GUIDE ROLLER	2	44.	33 473	SPRING	1
12.	12 92 904	PIN	2	45.	13 12 563	LOCK PLATE	
13.	12 92 942	STABILIZER ARM 1380MM	2	46.	13 12 553	LOCK PLATE	
14.	12 93 092	STABILIZER ARM 700MM	2				
17.	33 241	CIRCLIP 90U	2				
18.	12 92 923	HOUSING	2				



STABILIZER BEAM SR

1.	30 134	SET SCR M8X25	8	22.	12 90 080	MOUNTINGKIT	2
2.	31 155	SPRING WASHER 8MM	8	23.	64 254	BALL-BLACK	
3.	12 92 773	STOP	2	24.	12 66 814	PIN	
4.	12 92 784	GUIDE ROLLER	2	25.	31 329	ZERK M6X1-0	
5.	12 92 794	PIN	4	26.	12 93 023	DISC	
6.	32 427	SCREW MC10X110	4	27.	12 93 033	DISC	
7.	30 888	LOCK NUT M10	4	28.	30 455	SCREW MC10X30	
8.	66 61 734	LOCKING DEVICE	2	29.	30 884	LOCK NUT M6	
9.	30 964	SCREW MC10X16	12	30.	31 134	WASHER 6MM	
10.	31 156	SPRING WASHER 10MM	8	31.	30 120	STEEL BOLT M6X60	
11.	12 92 894	GUIDE ROLLER	2	32.	12 66 903	CLIP	
12.	12 92 904	PIN	2	37.	13 12 543	BRACKET	2
13.	12 92 942	STABILIZER ARM 1380MM	2	38.	30 583	SCREW MK8X25	4
14.	12 93 092	STABILIZER ARM 700MM	2	39.	62 45 244	HOOK	2
17.	33 241	CIRCLIP 90U	2	40.	33 474	SPRING	1
18.	12 92 923	HOUSING	2	41.	62 45 264	BUSHING	2
19.	30 566	POINTING SCR MSP9X16	2	42.	30 178	SET SCR M12X35	2
20.	30 453	SCREW MC10X25	12	43.	30 579	COUNTERSUNK SCR MK6X20	2
21.	33 446	LOCK RING	2	44.	33 473	SPRING	1
				45.	13 12 563	LOCK PLATE	1
				46.	13 12 553	LOCK PLATE	1

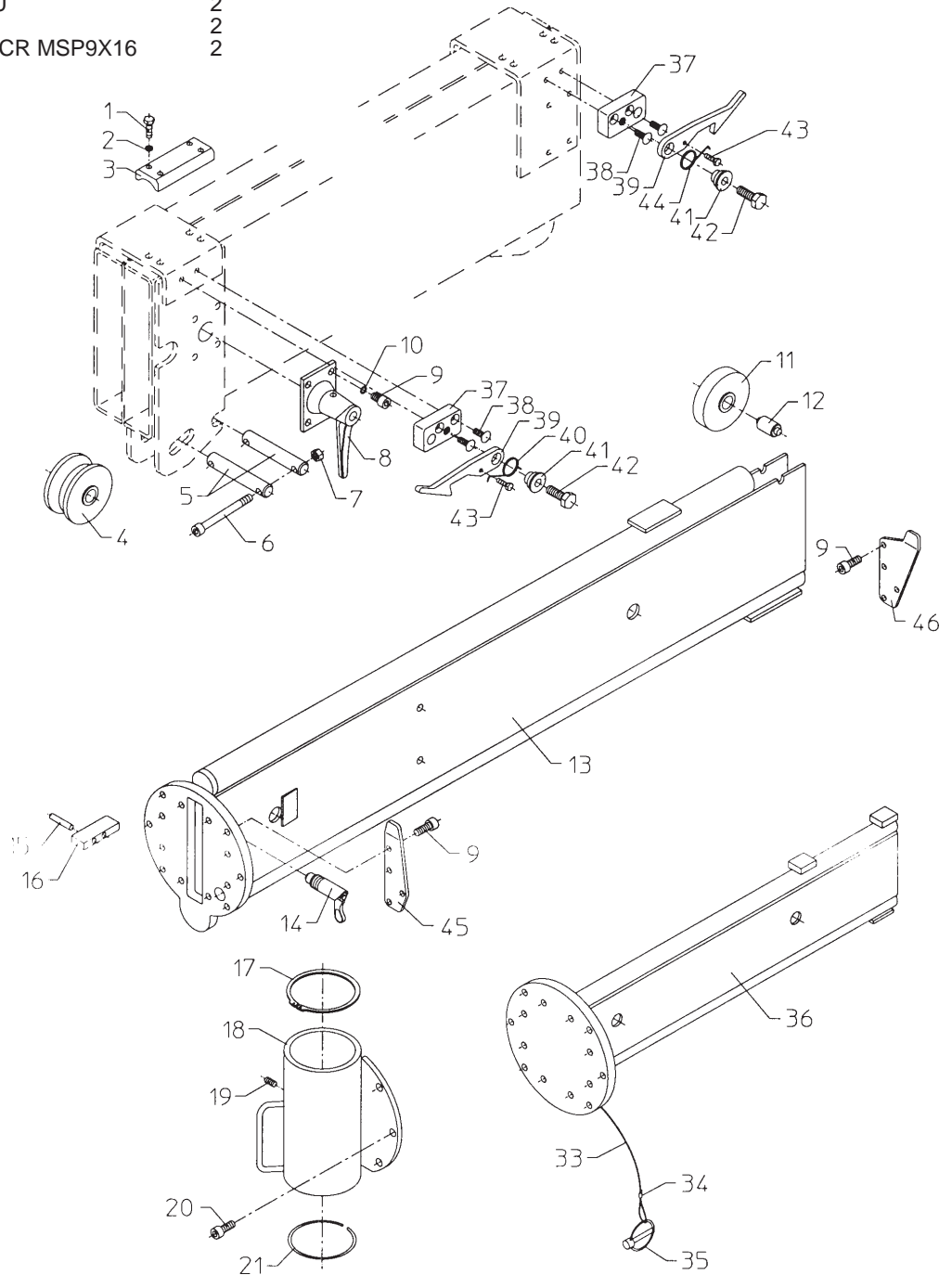


7/48: 452 04 030: 20111213

PARTS-27

STABILIZER BEAM DV

1.	30 134	SET SCR M8X25	8	20.	30 453	SCREW MC10X25	12
2.	31 155	SPRING WASHER 8MM	8	21.	33 446	LOCK RING	2
3.	12 92 773	STOP	2	33.	62 160	WIRE	
4.	12 92 784	GUIDE ROLLER	2	34.	62 161	WIRE LOCK	
5.	12 92 794	PIN	4	35.	33 385	SPLIT RING Ø4	
6.	32 427	SCREW MC10X110	4	36.	12 93 013	STABILIZER ARM	2
7.	30 888	LOCK NUT M10	4	37.	13 12 543	BRACKET	2
8.	66 61 734	LOCKING DEVICE	2	38.	30 583	SCREW MK8X25	4
9.	30 964	SCREW MC10X16	12	39.	62 45 244	HOOK	2
10.	31 156	SPRING WASHER 10MM	8	40.	33 474	SPRING	1
11.	12 92 894	GUIDE ROLLER	2	41.	62 45 264	BUSHING	2
12.	12 92 904	PIN	2	42.	30 178	SET SCR M12X35	2
13.	12 92 942	STABILIZER ARM 1380MM	2	43.	30 579	COUNTERSUNK SCR MK6X20	2
14.	12 00 624	BOLT	2	44.	33 473	SPRING	1
15.	31 217	RETAINING RING ØX40	4	45.	13 12 563	LOCK PLATE	1
16.	12 93 044	STOP	2	46.	13 12 553	LOCK PLATE	1
17.	33 241	CIRCLIP 90U	2				
18.	12 92 923	HOUSING	2				
19.	30 566	POINTING SCR MSP9X16	2				

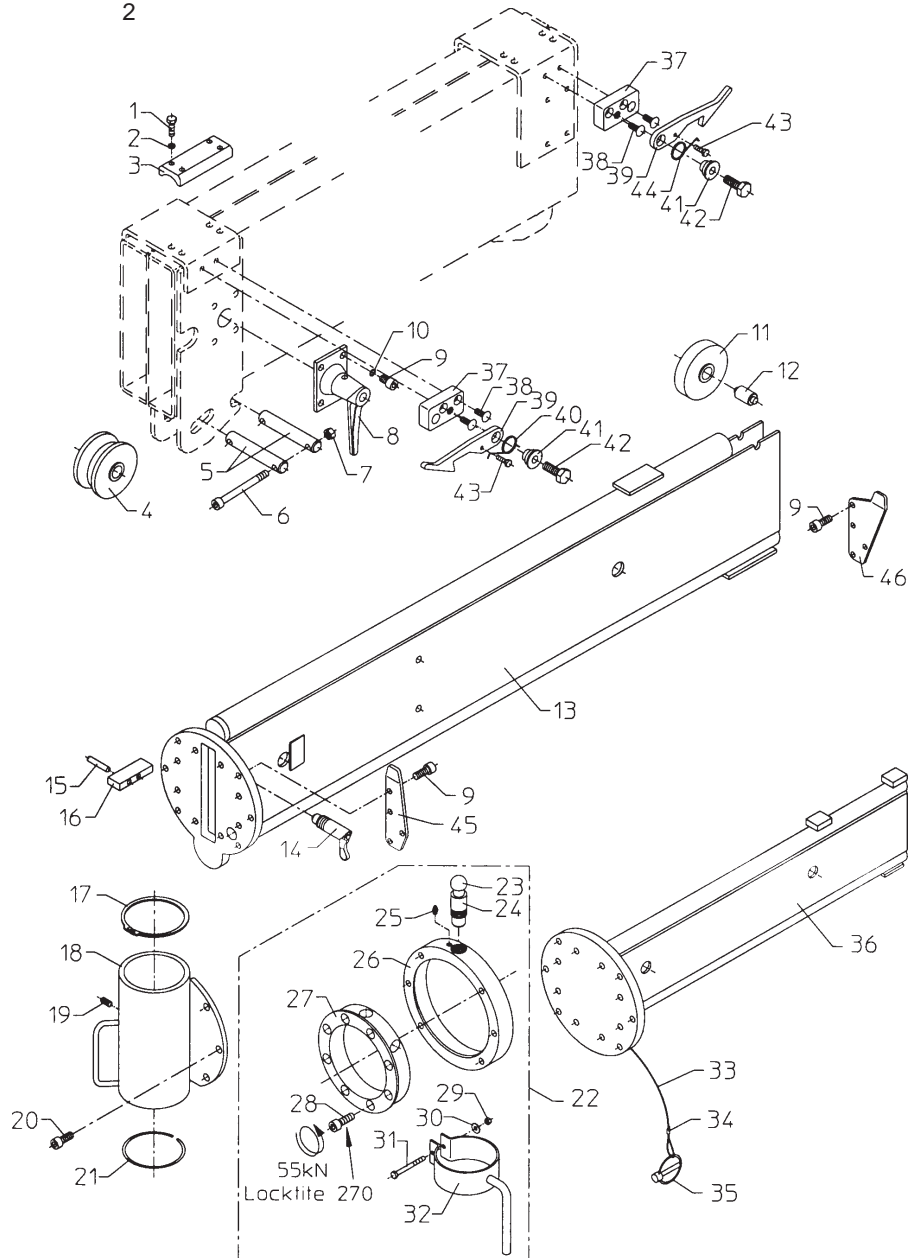


7/48: 452 04 040: 20111213

PARTS-28

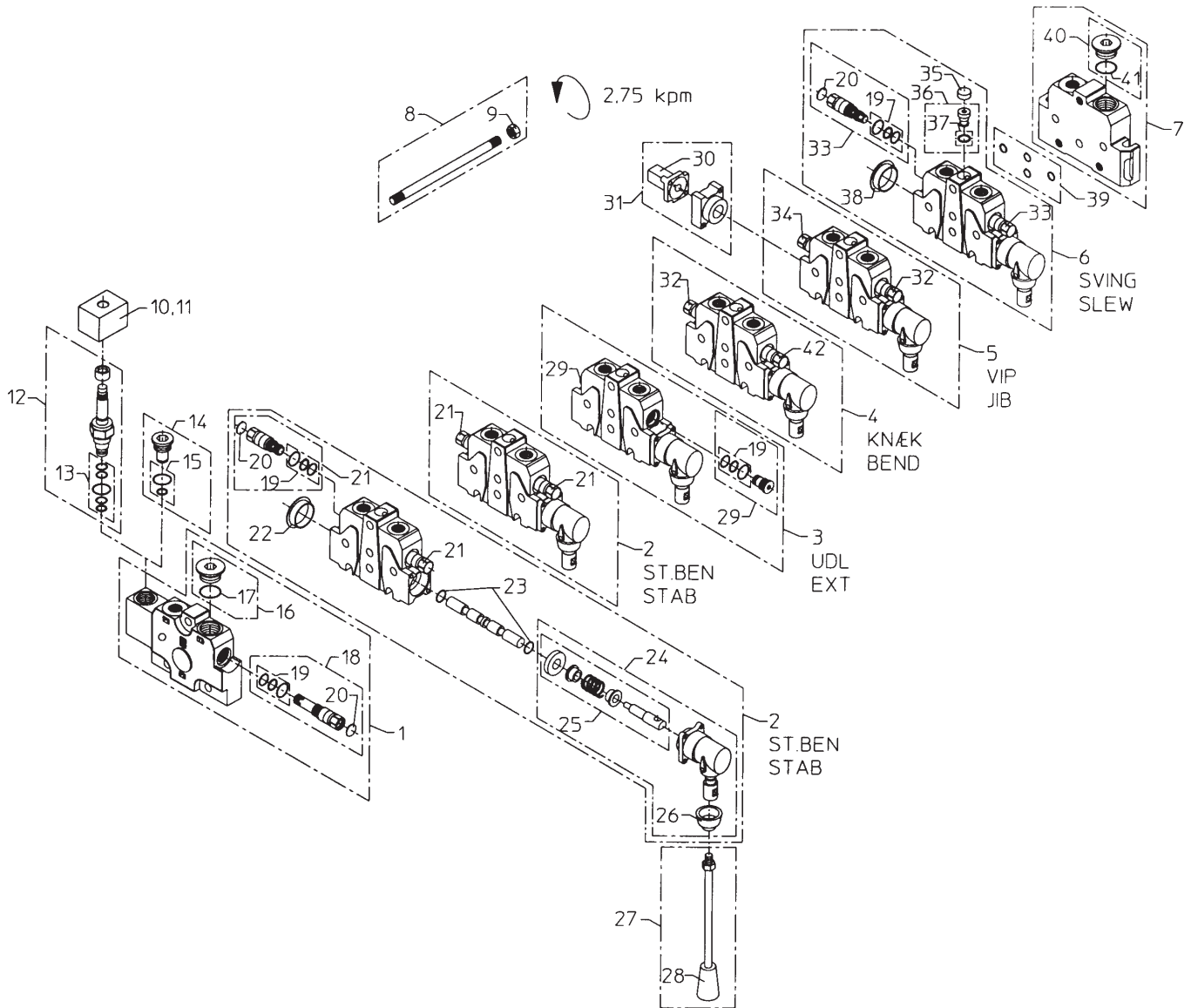
STABILIZER BEAM DR

1.	30 134	SET SCR M8X25	8	26.	12 93 023	DISC	
2.	31 155	SPRING WASHER 8MM	8	27.	12 93 033	DISC	
3.	12 92 773	STOP	2	28.	30 455	SCREW MC10X30	
4.	12 92 784	GUIDE ROLLER	2	29.	30 884	LOCK NUT M6	
5.	12 92 794	PIN	4	30.	31 134	WASHER 6MM	
6.	32 427	SCREW MC10X110	4	31.	30 120	STEEL BOLT M6X60	
7.	30 888	LOCK NUT M10	4	32.	12 66 903	CLIP	
8.	66 61 734	LOCKING DEVICE	2	33.	62 160	WIRE	
9.	30 964	SCREW MC10X16	12	34.	62 161	WIRE LOCK	
10.	31 156	SPRING WASHER 10MM	8	35.	33 385	SPLIT RING Ø4	
11.	12 92 894	GUIDE ROLLER	2	36.	12 93 013	STABILIZER ARM	2
12.	12 92 904	PIN	2	37.	13 12 543	BRACKET	2
13.	12 92 942	STABILIZER ARM 1380MM	2	38.	30 583	SCREW MK8X25	4
14.	12 00 624	BOLT	2	39.	62 45 244	HOOK	2
15.	31 217	RETAINING RING ØX40	4	40.	33 474	SPRING	1
16.	12 93 044	STOP	2	41.	62 45 264	BUSHING	2
17.	33 241	CIRCLIP 90U	2	42.	30 178	SET SCR M12X35	2
18.	12 92 923	HOUSING	2	43.	30 579	COUNTERSUNK SCR MK6X20	2
19.	30 566	POINTING SCR MSP9X16	2	44.	33 473	SPRING	1
20.	30 453	SCREW MC10X25	12	45.	13 12 563	LOCK PLATE	1
21.	33 446	LOCK RING	2	46.	13 12 553	LOCK PLATE	1
22.	12 90 080	MOUNTING KIT	2				
23.	64 254	BALL-BLACK					
24.	12 66 814	PIN					
25.	31 329	ZERK M6X1-0					



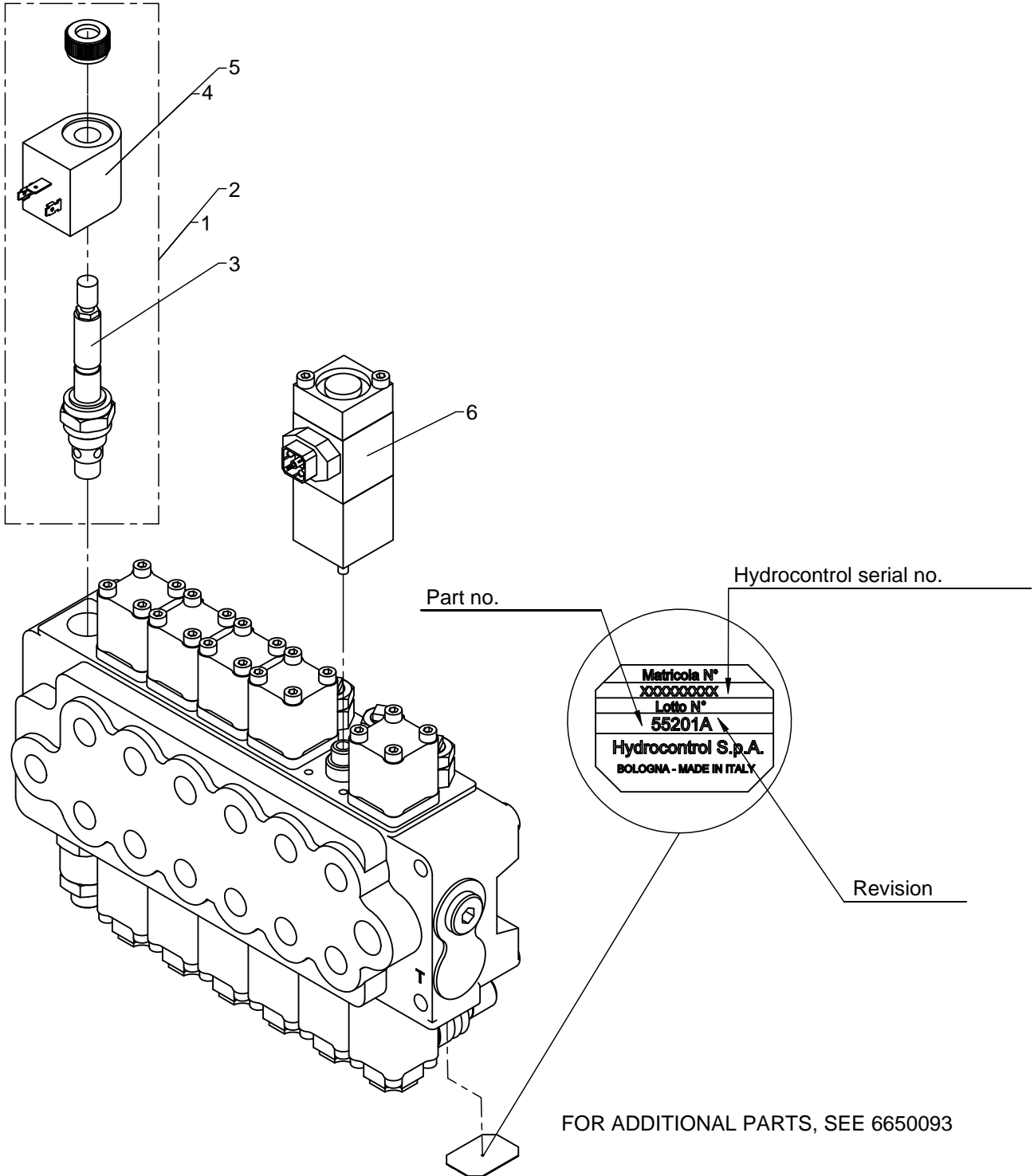
VALVE GROUP-RS150

	59 577	VALVE BLOCK (COMPLETE)	1		21.	59 249	PORT RELIEF VALVE(TBS175)
	59 576	VALVE BLOCK (COMPLETE)	1		22.	59 221	DUST CAP
1.	59 150	INLET SECTION			23.	59 230	SEAL KIT
2.	59 149	CTRL VALVE EXCL LEVER(1H)			24.	59 225	BRACKET
3.	59 148	CTRL VALVE EXCL LEVER(4H)			25.	59 227	SPRING KIT
4.	59 147	CTRL VALVE EXCL LEVER(1H-01)			26.	59 226	RUBBER BELLOWS
5.	59 146	CTRL VALVE EXCL LEVER(1H-01)			27.	59 223	LEVER
6.	59 145	CTRL VALVE EXCL LEVER(1HS)			28.	59 224	BALL
7.	59 144	OUTLET SECTION			29.	59 234	PLUG
8.	59 235	STAY BOLT (6 SECT)			30	59 243	REPAIR KIT
9.	30 888	LOCK NUT M10			31.	59 240	SPOOL SENSOR (COMPLETE)
10.	61 777	SOLENOID 12V			32.	59 248	PORT RELIEF VALVE(TB265)
11.	61 778	SOLENOID 26V			33.	59 246	RELIEF & ANTI-CAV VALVE(TBS150)
12.	61 776	CARTRIDGE			34.	59 247	RELIEF & ANTI-CAV VALVE(TBS100)
13.	61 779	SEAL KIT			35.	61 688	PLUG
14.	61 780	PLUG			36.	61 480	CHECK VALVE
15.	61 781	SEAL KIT			37.	59 231	SEAL KIT
16.	61 366	PLUG 1/2"BSP			38.	59 222	DUST CAP
17.	20 129	O-RING 17.3X2.4			39.	59 229	SEAL KIT
18.	59 250	MAIN RELIEF VALVE			40.	59 232	PLUG 3/8"
19.	59 228	SEAL KIT			41.	59 233	SEAL
20.	61 786	WASHER			42.	59 211	RELIEF & ANTI-CAV VALVE(TBS200)



CONTROL VALVE, M50

	55201	CONTROL VALVE	1
	55207	CONTROL VALVE	1
1.	55348	DUMP VALVE 12V	1
2.	55347	DUMP VALVE 26V	1
3.	55346	CARTRIDGE	1
4.	55344	SOLENIOD 12V	1
5.	55345	SOLENIOD 26V	1
6.	55250	SPOOL SENSOR	1



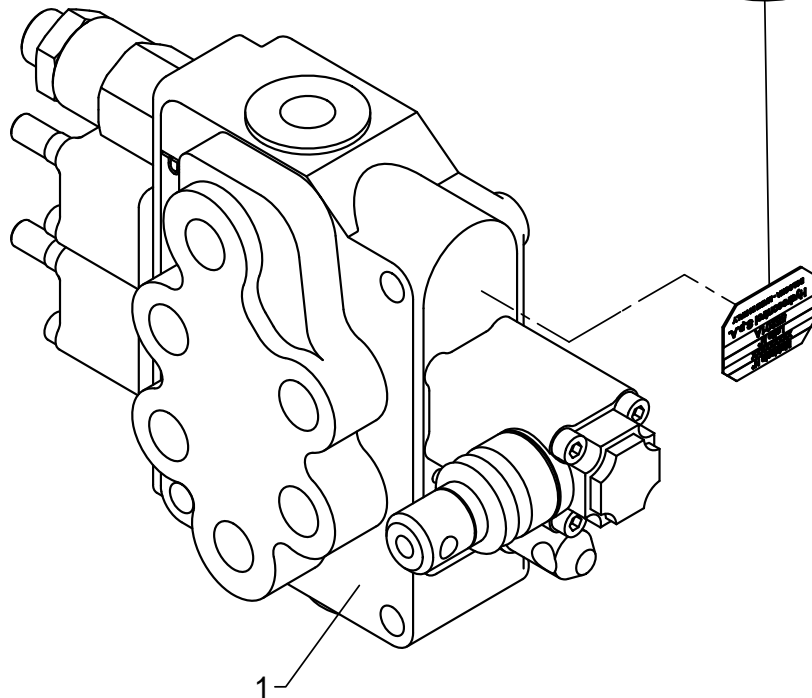
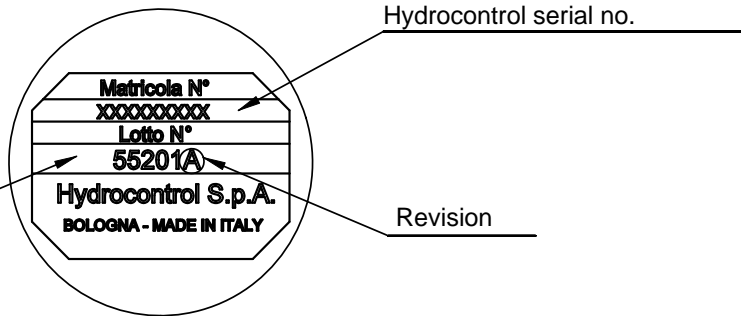
FOR ADDITIONAL PARTS, SEE 6650093

7/48: 080 05 015: 20090619

PARTS-31

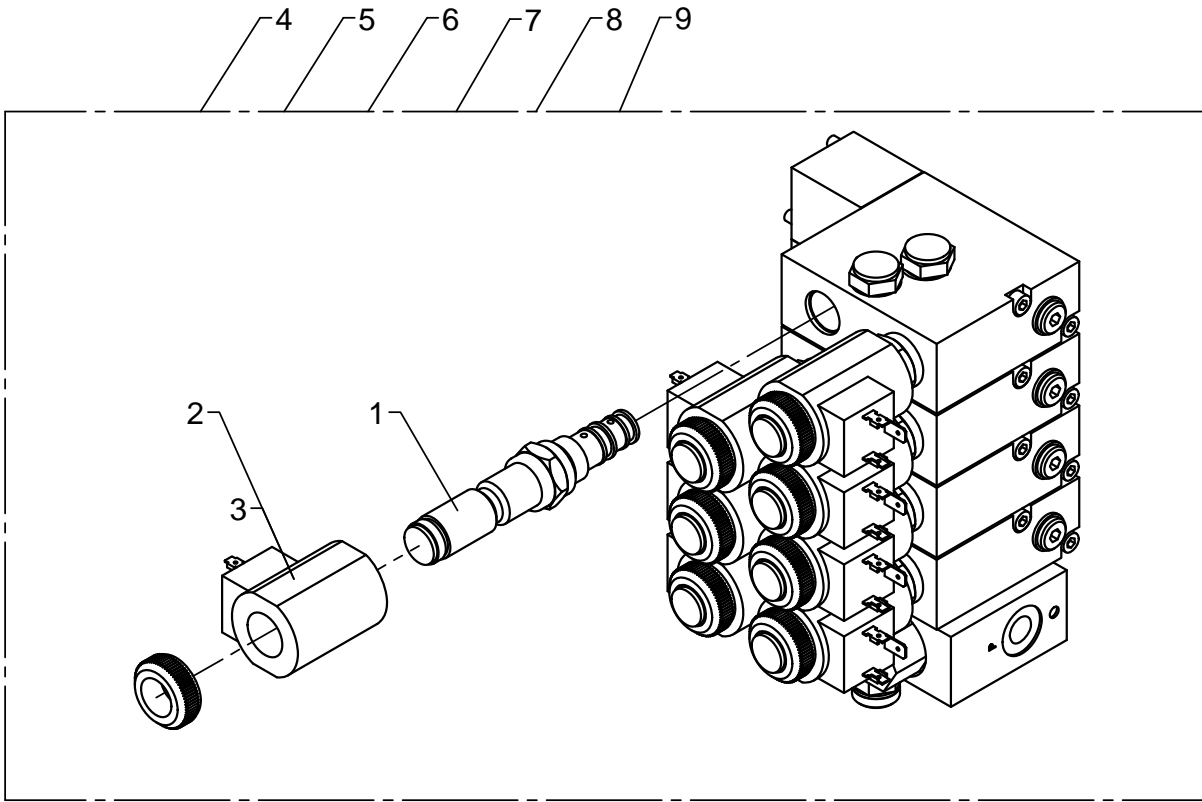
VALVE BLOCK FOR SERIAL CONNECTION

1. 55202 STABILIZER CONTROL VALVE 1



ELECTRO-HYDRAULIC NEM KIT, NEM RADIO CONTROL

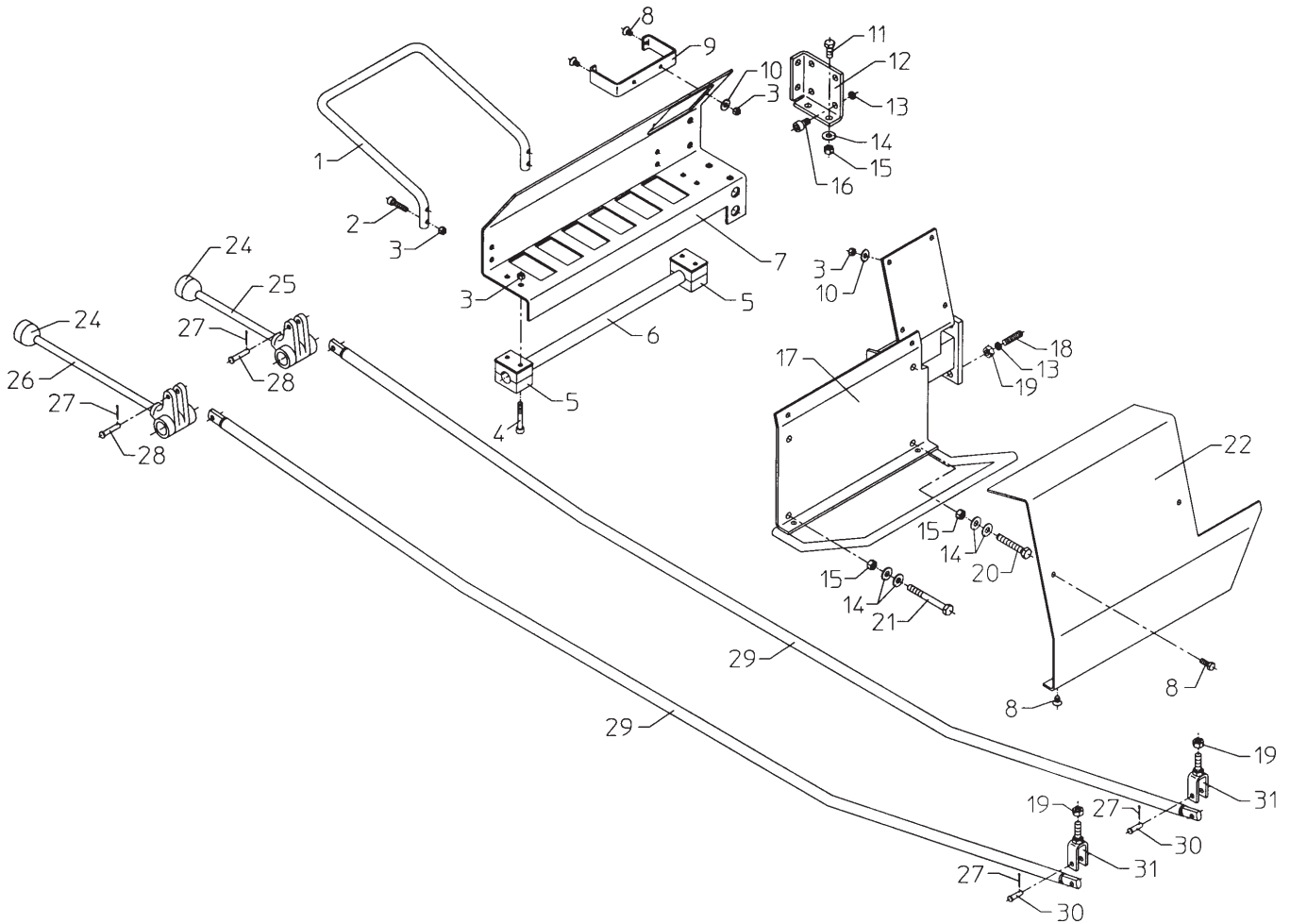
- 1. 55320 CARTRIDGE
- 2. 55323 SOLENOID 12V
- 3. 55321 SOLENOID 24V
- 4. 55244 ELECTRO-HYDRAULIC NEM-KIT 4X12V
- 5. 55247 ELECTRO-HYDRAULIC NEM-KIT 4X24V
- 6. 55245 ELECTRO-HYDRAULIC NEM-KIT 5X12V
- 7. 55248 ELECTRO-HYDRAULIC NEM-KIT 5X24V
- 8. 55246 ELECTRO-HYDRAULIC NEM-KIT 6X12V
- 9. 55249 ELECTRO-HYDRAULIC NEM-KIT 6X24V



See drawing no. 6650113 for additional parts.

VALVE BRACKET & DUAL CONTROL-RS150

1.	12 93 334	SAFETY GUARD	1	16.	32 415	STEEL BOLT MC8X14	4
2.	30 962	STEEL BOLT MC6X25	4	17.	12 93 233	VALVE BRACKET	1
3.	30 884	LOCK NUT M6	14	18.	32 407	SCREW MSP8X30	4
4.	32 414	STEEL BOLT MC6X40	4	19.	30 856	NUT M8	10
5.	31 428	CLAMP	2	20.	30 139	STEEL BOLT M8X50	1
6.	66 60 974	PIN (7 LEVER)	1	21.	30 142	STEEL BOLT M8X70	2
7.	66 099	PROTECTIVE PLATE	1	22.	66 096	PROTECTIVE PLATE	1
8.	30 997	SCREW M6X10	6	24.	64 262	BALL Ø32X10MM	6
9.	66 098	CLAMP		25.	66 60 933	CTRL LEVER-SHORT	2
10.	31 134	WASHER 6MM	6	26.	66 60 913	CTRL LEVER-LONG	4
11.	30 131	SET SCR M8X16	4	27.	31 601	SPLIT PIN Ø1.5X20	12
12.	66 097	BRACKET	1	28.	31 274	COTTER BOLT Ø6X30	6
13.	31 155	SPRING WASHER 8MM	8	29.	12 93 343	CONNECTING ROD	6
14.	31 136	WASHER 8MM	10	30.	31 271	COTTER BOLT Ø6X20	6
15.	30 886	LOCK NUT M8	7	31.	12 93 324	CLEVIS	6



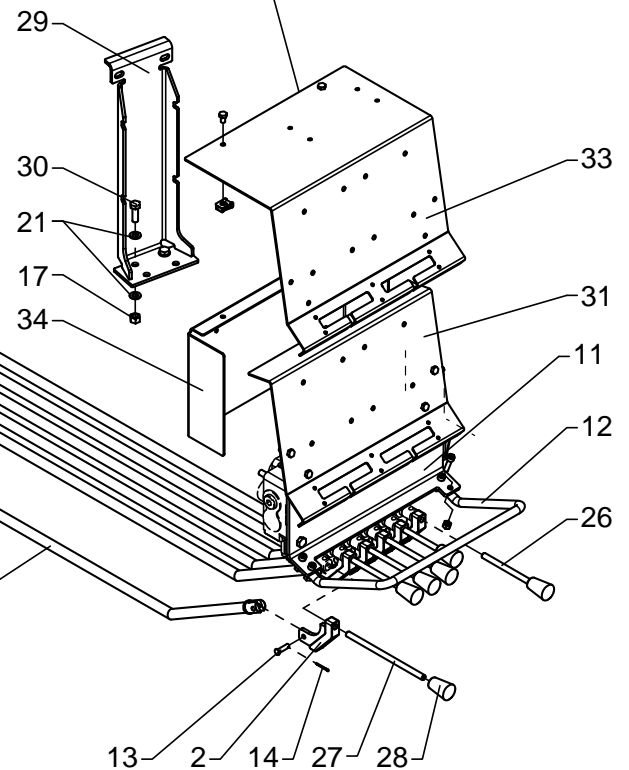
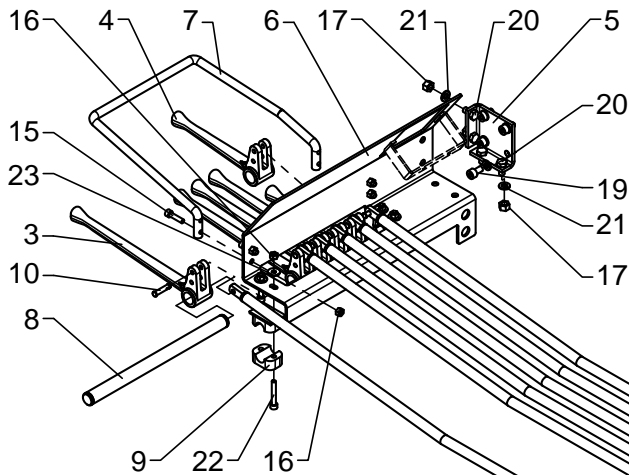
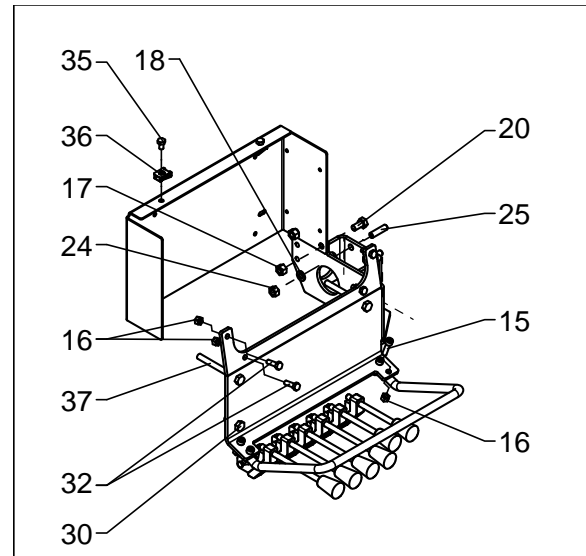
7/48: 080 05 101: 20090619

VALVE BRACKET & DUAL CONTROL-M50

- | | | | |
|-----|---------|--------------------------------|----|
| 1. | 1297483 | CONNECTING ROD | 6 |
| 2. | 63450 | ADAPTER FOR DUAL CONTROLS | 6 |
| 3. | 63443 | LEVER FOR DUAL CONTROLS | 4 |
| 4. | 63444 | LEVER FOR DUAL CONTROLS | 2 |
| 5. | 66097 | BRACKET | 1 |
| 6. | 1297393 | BRACKET, DUAL CONTROLS, 6 F | 1 |
| 7. | 1297403 | SAFETY GUARD, DUAL CTRL, 6 F. | 1 |
| 8. | 6660954 | PIN FOR 5 LEVERS | 1 |
| 9. | 31428 | CLAMP | 2 |
| 10. | 63468 | SPLIT PIN WITH SPRING LOCK | 6 |
| 11. | 1297413 | VALVE BRACKET, SV. | 1 |
| 12. | 129750 | 3 CLAMP FOR LEVER | 1 |
| 13. | 31271 | COTTER BOLT Ø6 X 21 | 6 |
| 14. | 31601 | SPLIT PIN, STAINLESS Ø1,6 X 20 | 6 |
| 15. | 30962 | SCREW, STAINLESS MC6 X 25 | 8 |
| 16. | 30884 | LOCK NUT, STAINLESS M6 | 16 |
| 17. | 30886 | LOCK NUT, STAINLESS M8 | 8 |
| 18. | 31155 | SPRING WASHER 8 MM | 8 |
| 19. | 32415 | SOCKETHEAD SCREW MC8 X 14 | 4 |
| 20. | 30131 | SET SCREW, STAINLESS M8 X 16 | 6 |
| 21. | 31147 | WASHER, STAINLESS 8 MM | 8 |
| 22. | 32414 | SCREW MC6 X 40 | 4 |
| 23. | 31134 | WASHER, STAINLESS 6MM | 4 |
| 24. | 30856 | NUT, STAINLESS | 4 |
| 25. | 30578 | SCREW MSP8 X 30 | 4 |
| 26. | 1320252 | CONTROL LEVER, SHORT, STR | 2 |
| 27. | 1320253 | CONTROL LEVER, LONG, STR | 4 |
| 28. | 59224 | KNOB FOR LEVER | 6 |
| 29. | 1298142 | HOSE BRACKET | 1 |

PARTS-34

- | | | | |
|-----|---------|-------------------------------|---|
| 30. | 30134 | SET SCREW, STAINLESS M8 X 25 | 3 |
| 31. | 1297473 | PROTECTION PLATE | 1 |
| 32. | 30113 | SET SCREW, STAINLESS M6 X 20 | 4 |
| 33. | 1297452 | PROT. PLATE CTRL VALVE/RC | 1 |
| 34. | 1297463 | BRACKET, REMOTE CONTROL | 1 |
| 35. | 30110 | SET SCREW, STAINLESS M6 X 10 | 2 |
| 36. | 31068 | CLIP M6 0,5 - 4,0 MM. | 2 |
| 37. | 30143 | STEEL BOLT, STAINLESS M8 X 80 | 2 |

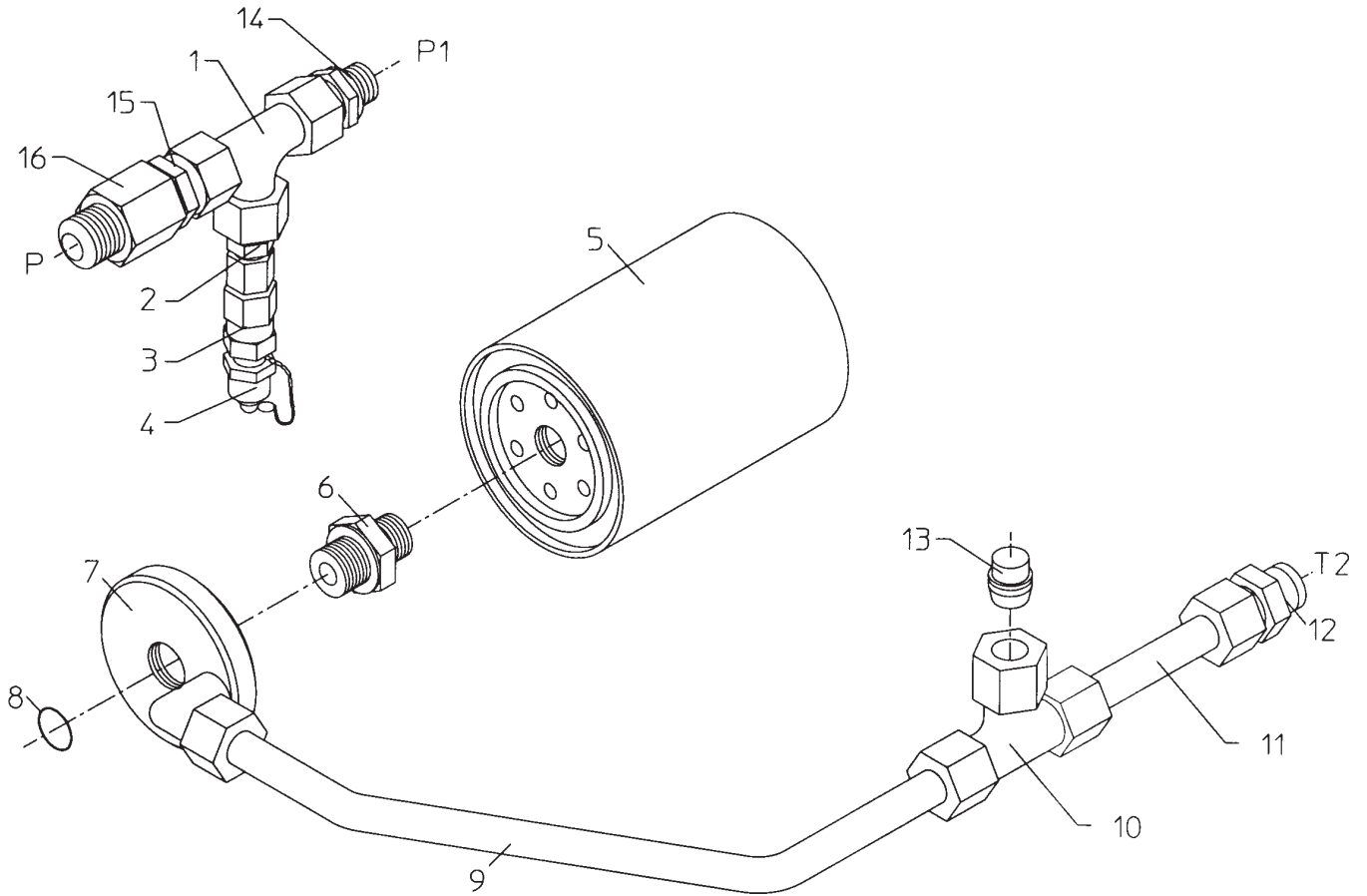


7/48: 452 05 150: 19990630

PARTS-35

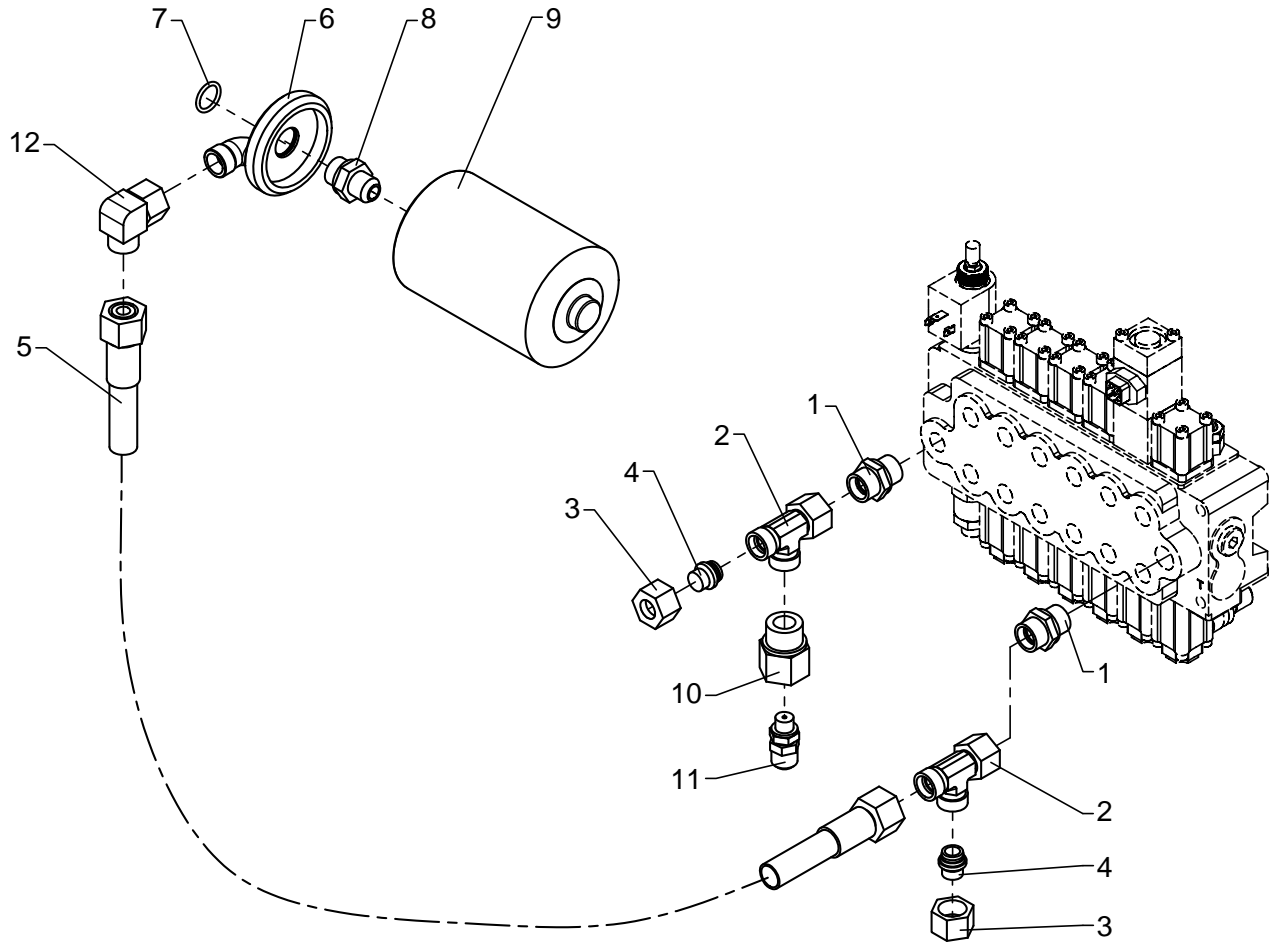
HYDRAULIC SYSTEM-PUMP & TANK-RS150

1.	26 142	CONNECTION	1	9.	12 93 644	PIPE PL2 M10X40	1
2.	25 160	REDUCING CONNECTION	1	10.	25 153	CONNECTION	1
3.	26 370	CONNECTION	1	11.	12 93 634	PIPE	1
4.	26 103	PRESSURE GAUGE CONN.	1	12.	25 143	CONNECTION	1
5.	60 212	FILTER	1	13.	26 168	BLANKING PLUG	1
6.	25 745	CONNECTION	1	14.	25 273	CONNECTION	1
7.	12 61 833	FITTINGS	1	15.	25 822	CONNECTION	1
8.	20 145	O-RING 18.72X2.62	1	16.	25 837	CONNECTION	1



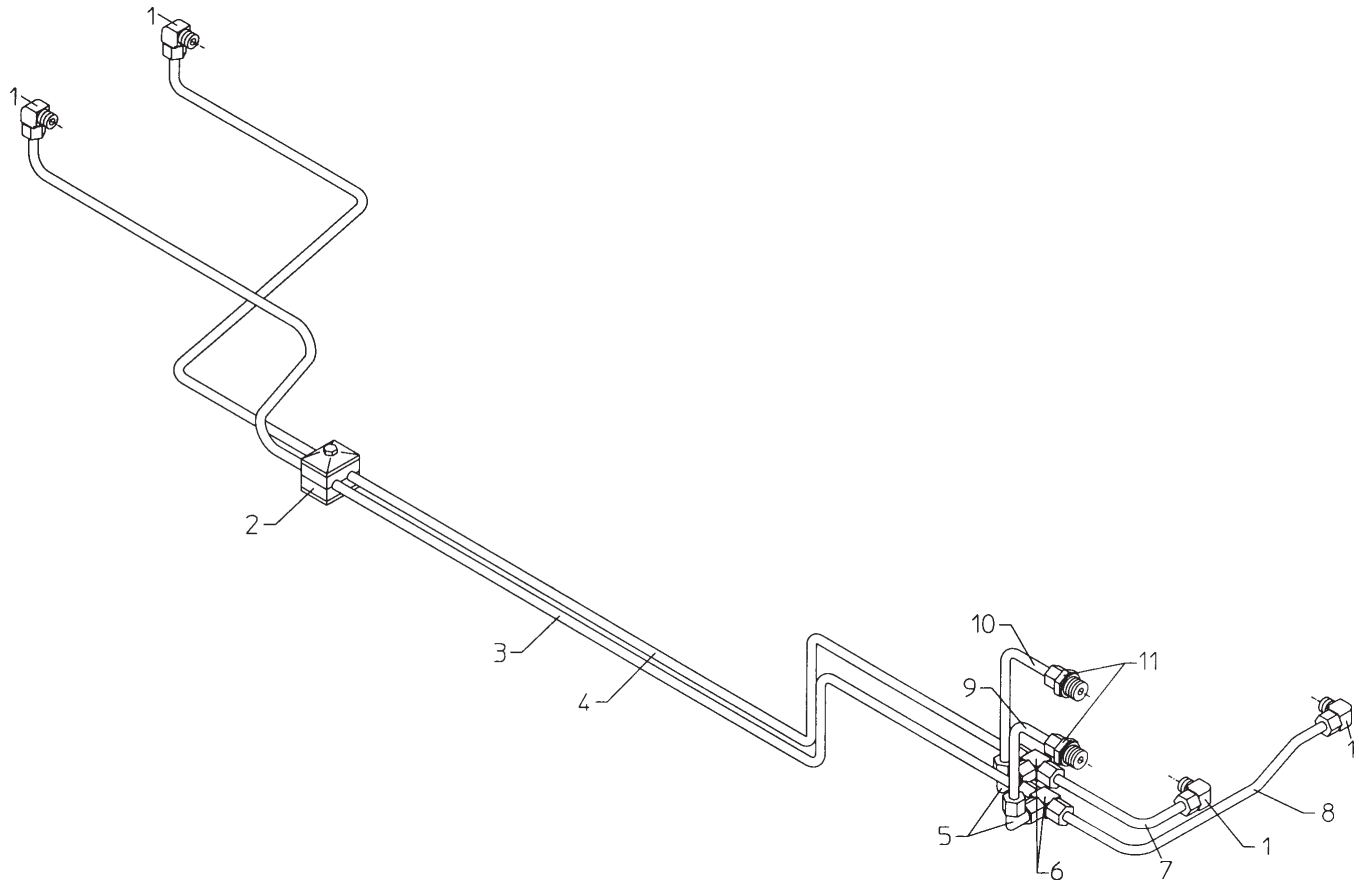
HYDRAULIC SYSTEM-PUMP & TANK-M50

1.	25 143	CONNECTION	2
2.	26 142	CONNECTION	2
3.	25 184	COUPLING NUT	2
4.	26 168	BLANKING PLUG	2
5.	56 270	HOSE 1/2" X 450 L/L	1
6.	12 61 833	FITTINGS	1
7.	20 145	O-RING	1
8.	25 832	STRAIGHT CONNECTION	1
9.	60 212	FILTER	1
10.	25 178	RED. CONNECTION	1
11.	26 103	PRESSURE-GAUGE CONNECT	1
12.	25 284	ELBOW CONNECTION	1



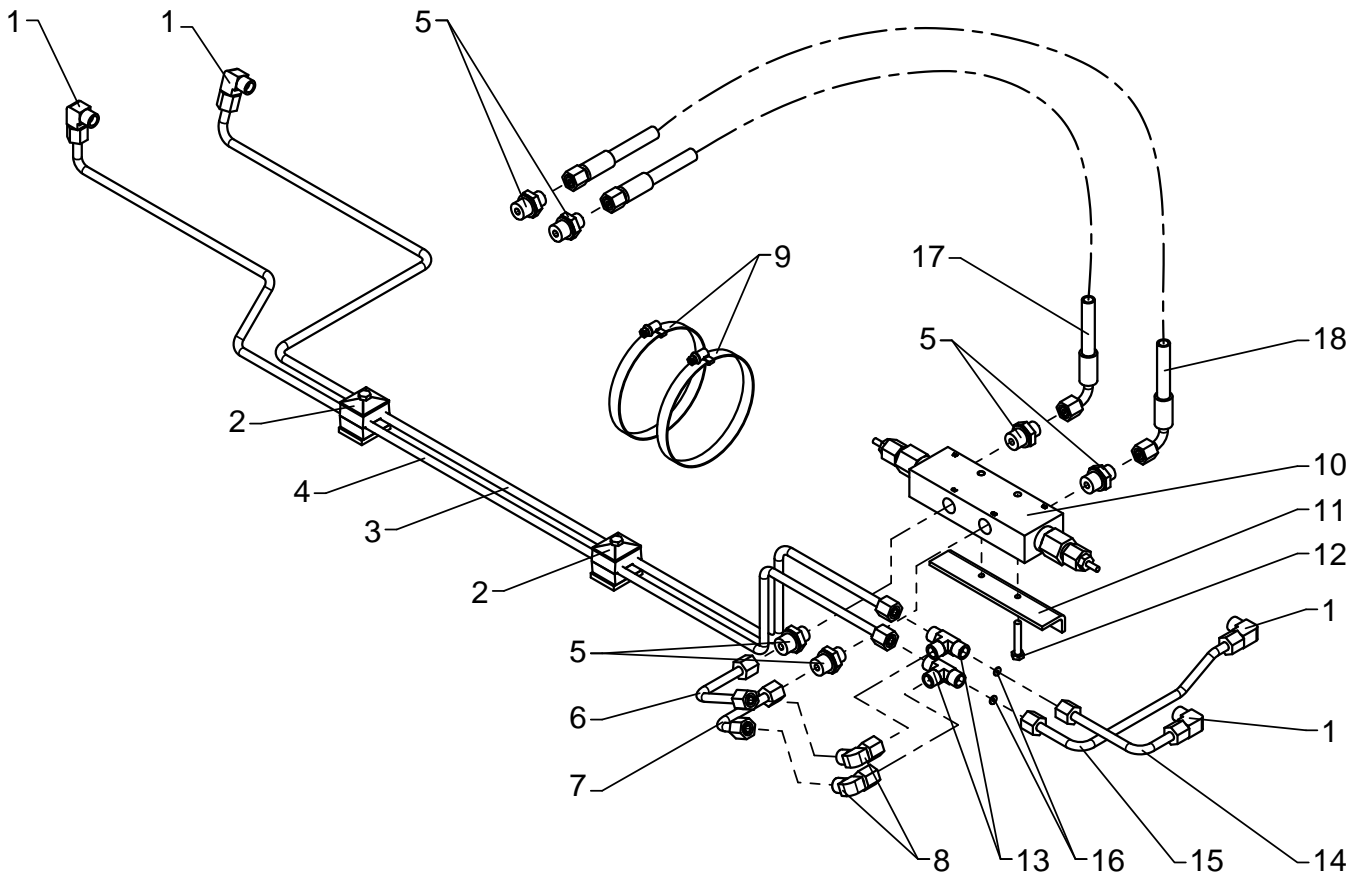
HYDRAULIC SYSTEM-ROTATION CYLINDER-RS150

1.	25 117	CONNECTION	4
2.	31 417	CLAMP 2X8MM	2
3.	12 93 693	PIPE	1
4.	12 93 703	PIPE	1
5.	25 248	CONNECTION	2
6.	25 114	CONNECTION	2
7.	12 93 664	PIPE	1
8.	12 93 654	PIPE	1
9.	12 93 674	PIPE PL2	1
10.	12 93 684	PIPE	1
11.	25 244	CONNECTION	2



HYDRAULIC SYSTEM-ROTATION CYLINDER WITH LHV, M50

1.	25 117	CONNECTION	4
2.	31 417	CLAMP 2X8MM	2
3.	13 01 633	PIPE	1
4.	13 01 653	PIPE, M50	1
5.	25 244	CONNECTION	6
6.	13 01 864	PIPE	1
7.	13 01 874	PIPE	1
8.	25 248	CONNECTION	2
9.	31 407	CLIP	2
10.	59 977	LOAD HOLDING VALVE	1
11.	13 01 904	PLATE	1
12.	30 116	STEEL BOLT, SS M6X35	2
13.	25 114	T-CONNECTION	2
14.	12 93 664	PIPE	1
15.	13 01 644	PIPE	1
16.	60 963	WASHER	2
17.	62 525	HOSE	1
18.	62 526	HOSE	1

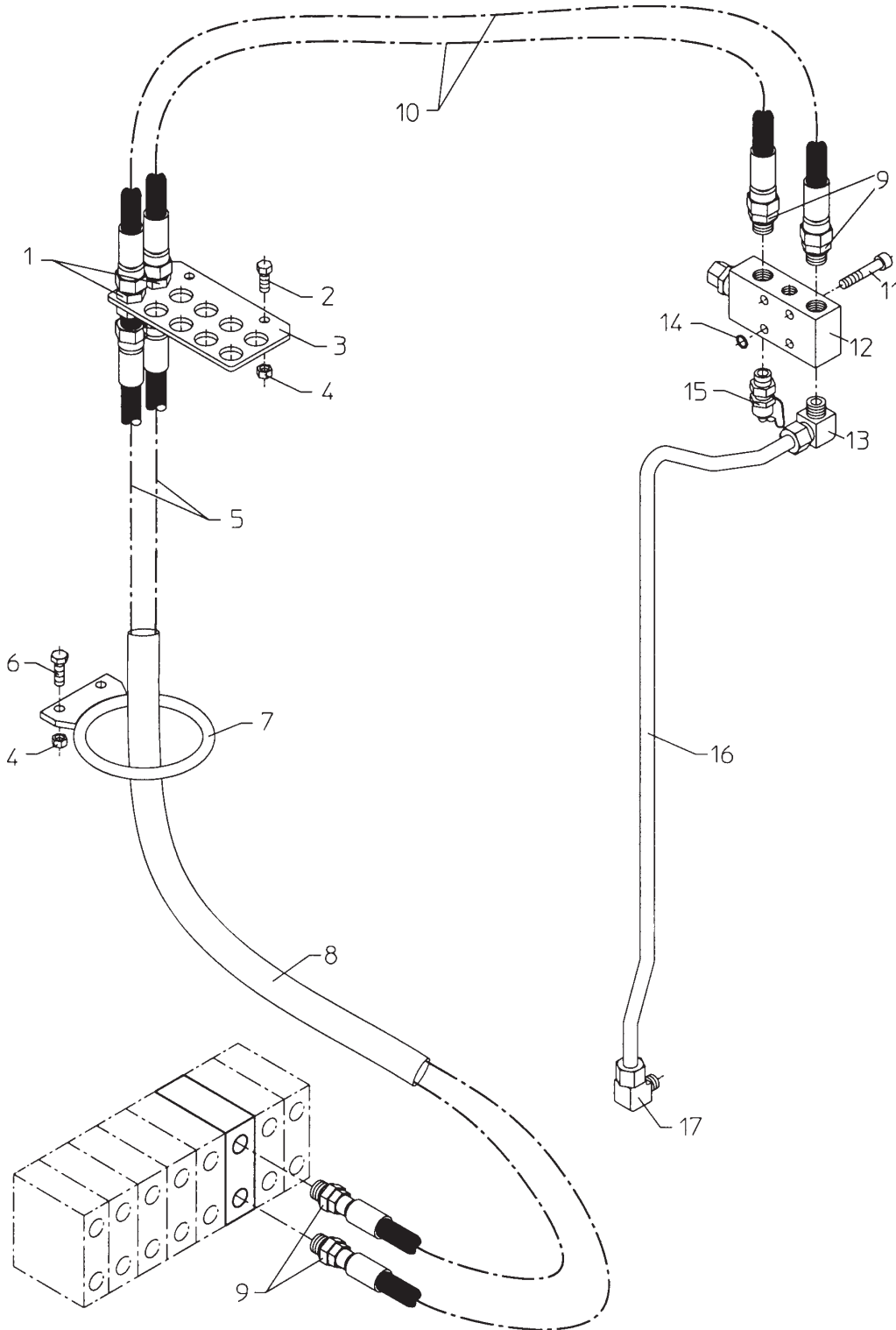


7/48: 452 05 250: 19990630

PARTS-39

HYDRAULIC SYSTEM-INNER BOOM CYLINDER-C110-600

1.	25 824	CONNECTION	2	10.	62 857	HOSE 3/8"X1150 O/O	2
2.	30 132	SET SCR M8X20	2	11.	30 436	SCREW MC8X45	4
3.	12 95 254	CLAMP	1	12.	59 955	LOAD HOLDING VALVE	1
4.	30 886	LOCK NUT M8	4	13.	25 132	CONNECTION	1
5.	62 860	HOSE 3/8"X2200 O/O	2	14.	20 138	O-RING 10.77X2.62	
6.	30 134	SET SCR M8X25	2	15.	26 103	PRESSURE GAUGE CONN.	1
7.	12 94 054	HOSE GUIDE	1	16.	12 93 874	PIPE	1
8.	62 598	PROTECTIVE COVER	1	17.	25 134	CONNECTION	1
9.	25 831	CONNECTION	4				

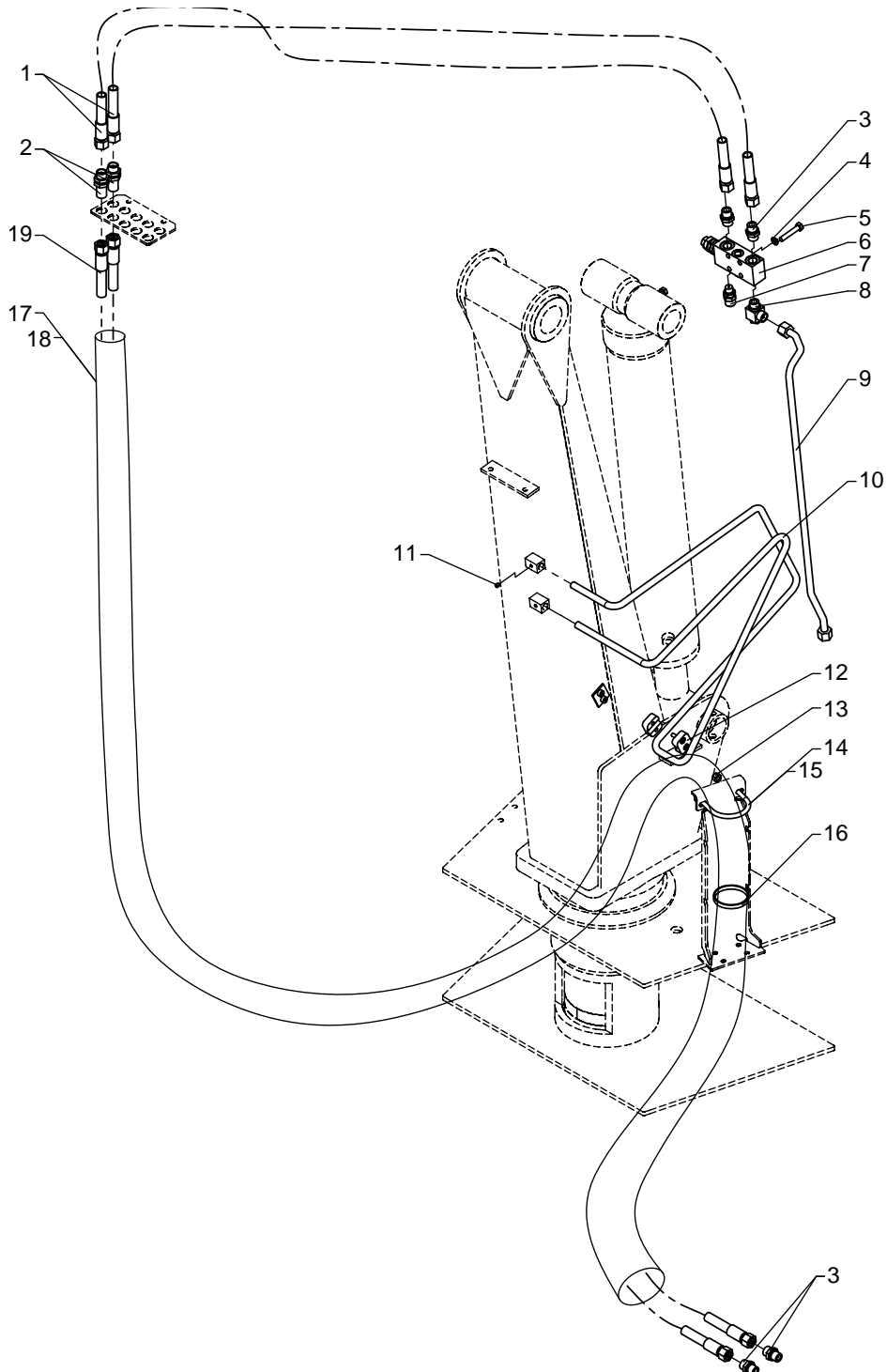


7/48: 080 05 260: 20090619

PARTS-40

HYDRAULIC SYSTEM-INNER BOOM CYLINDER-C=6 O'CLOCK, M50

1.	17650	HOSE	2	12.	31425	CLAMP	1
2.	25201	BULKHEAD CONNECTION	2	13.	30886	LOCK NUT, SS M8	2
3.	25127	CONNECTION	4	14.	31816	HOSE CLIP *	1
4.	31155	SPRING WASHER 8MM	4	15.	31884	HOSE CLIP **	1
5.	30138	STEEL BOLT, SS M8 X 45	4	16.	27275	CLIP	1
6.	59955	LOAD-HOLDING VALVE	1	17.	62599	PROTECTIVE COVER *	1
7.	26103	PRESS-GAUGE CONNECT.	1	18.	62602	PROTECTIVE COVER **	1
8.	25130	BANJO CONNECTION	1	19.	17290	HOSE	2
9.	1293874	PIPE	1	23.	66094	HOSE BRACKET	1
10.	1298123	HOSE GUIDE	1	27.	1298142	HOSE BRACKET	1
11.	31548	POINTED SCREW, SS MSP6 X 6	2			* EXCLUDING WINCH OR EXV	
						** INCLUDING WINCH OR EXV	



7/48: 080 05 270: 20090619

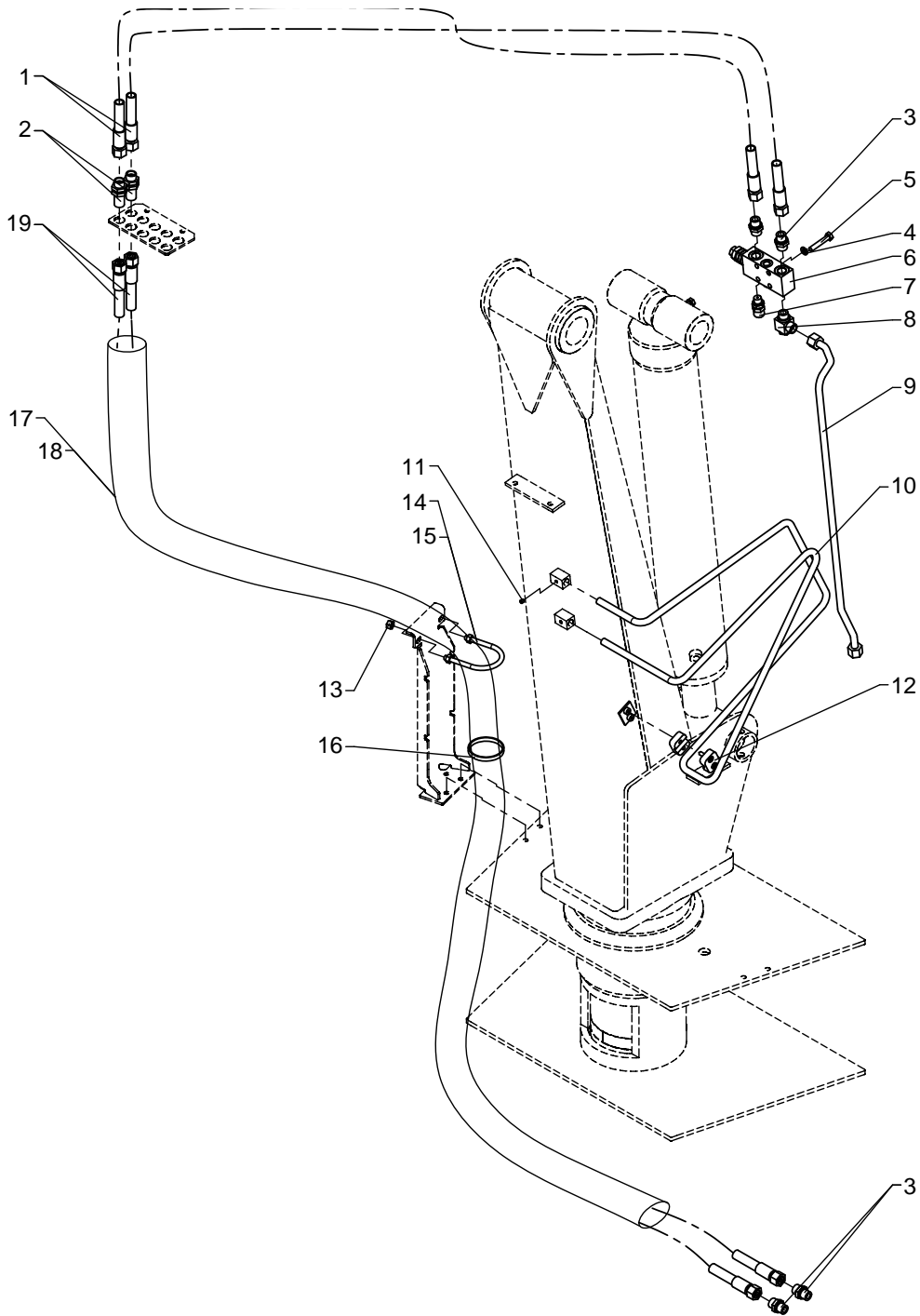
PARTS-41

HYDRAULIC SYSTEM-INNER BOOM CYLINDER-C=12 O'CLOCK, M50

1.	17650	HOSE	2	13.	30886	LOCK NUT, STAINLESS M8	2
2.	25201	BULKHEAD CONNECTION	2	14.	31816	HOSE CLIP *	1
3.	25127	CONNECTION	4	15.	31884	HOSE CLIP **	1
4.	31155	SPRING WASHER 8MM	4	16.	27275	CLIP	1
5.	30138	STEEL BOLT, SS M8X45	4	17.	62599	PROTECTIVE COVER *	1
6.	59955	LOAD-HOLDING VALVE	1	18.	62602	PROTECTIVE COVER **	1
7.	26103	PRESSURE-GAUGE CONNECT.	1	19.	15250	HOSE	2
8.	25130	BANJO CONNECTION	1	23.	66094	HOSE BRACKET	1
9.	1293874	PIPE	1				
10.	1298123	HOSE GUIDE	1				
11.	31548	POINTED SCREW, SS MSP6X6	2				
12.	31425	CLAMP	1				

* EXCLUDING WINCH OR EXV

** INCLUDING WINCH OR EXV

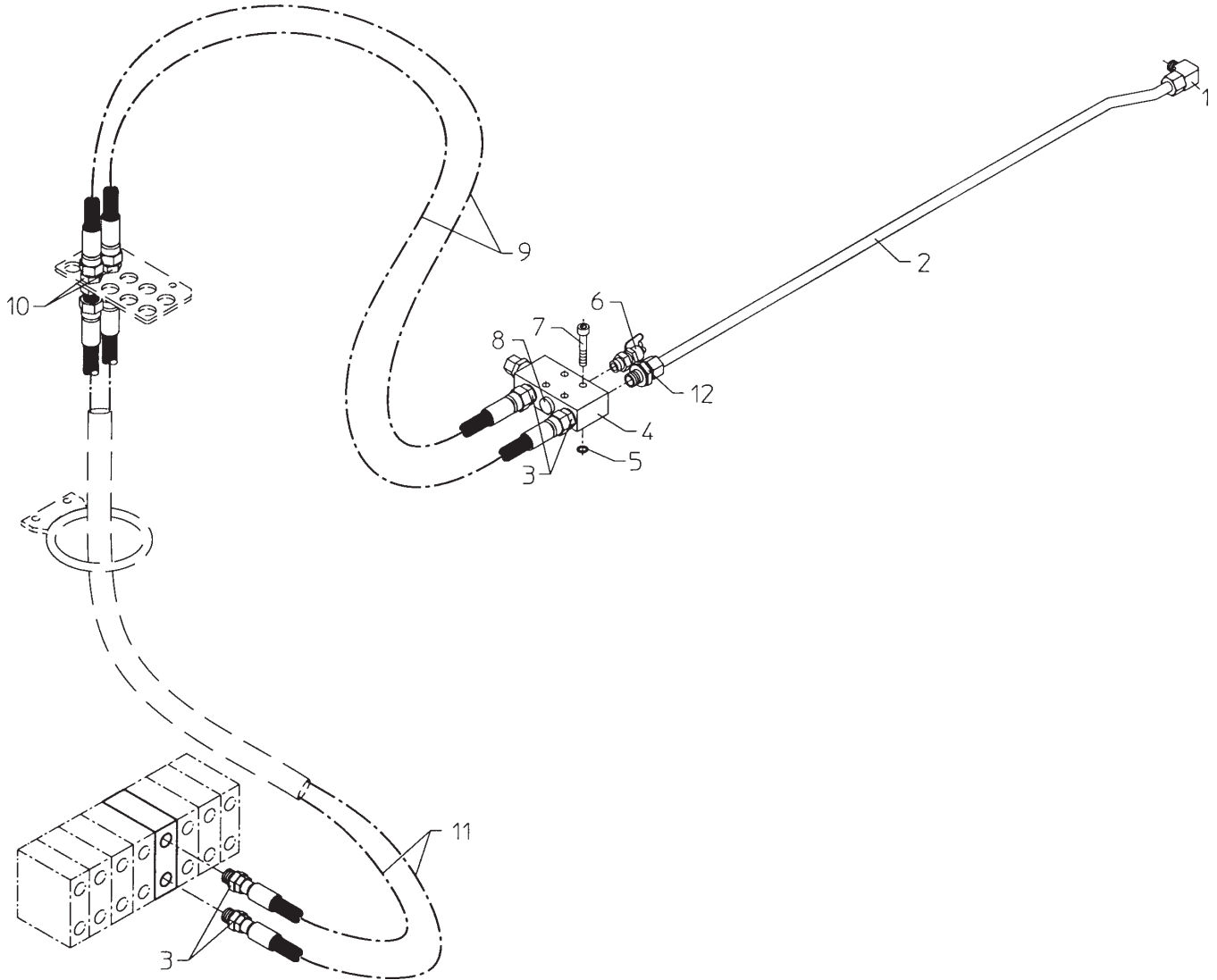


7/48: 452 05 300: 19990630

PARTS-42

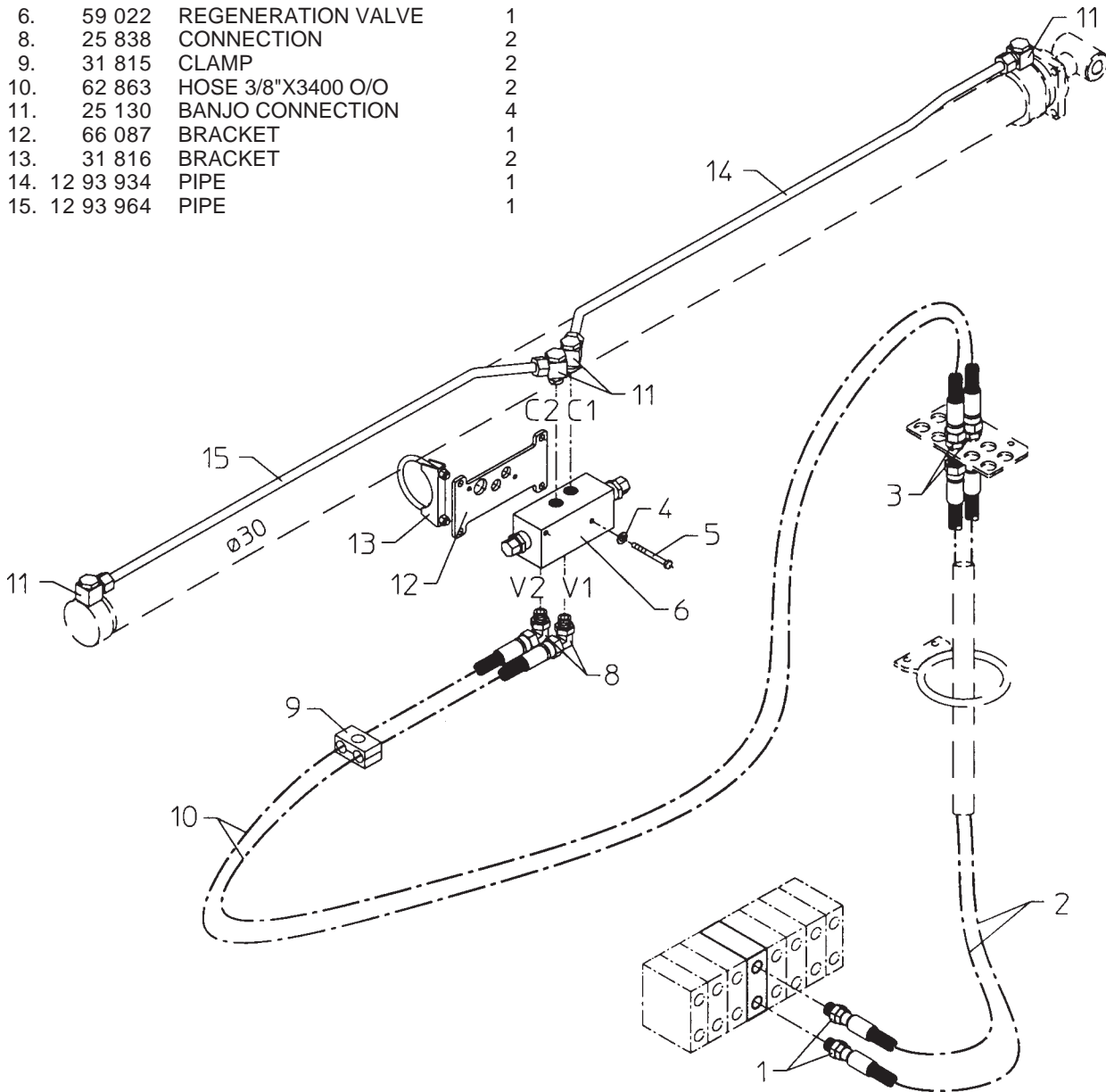
HYDRAULIC SYSTEM-OUTER BOOM CYLINDER-C110-760

1.	25 134	CONNECTION	1
2.	12 93 884	PIPE	1
3.	25 831	CONNECTION	4
4.	59 955	LOAD HOLDING VALVE	1
5.	20 138	O-RING 10.77X2.62	1
6.	26 103	PRESSURE GAUGE CONN.	1
7.	30 436	SCREW MC8X45	4
8.	25 197	PLUG	1
9.	62 857	HOSE 3/8"X1150 O/O	2
10.	25 824	CONNECTION	2
11.	62 860	HOSE 3/8"X2200 O/O	2
12.	25 127	CONNECTION	1



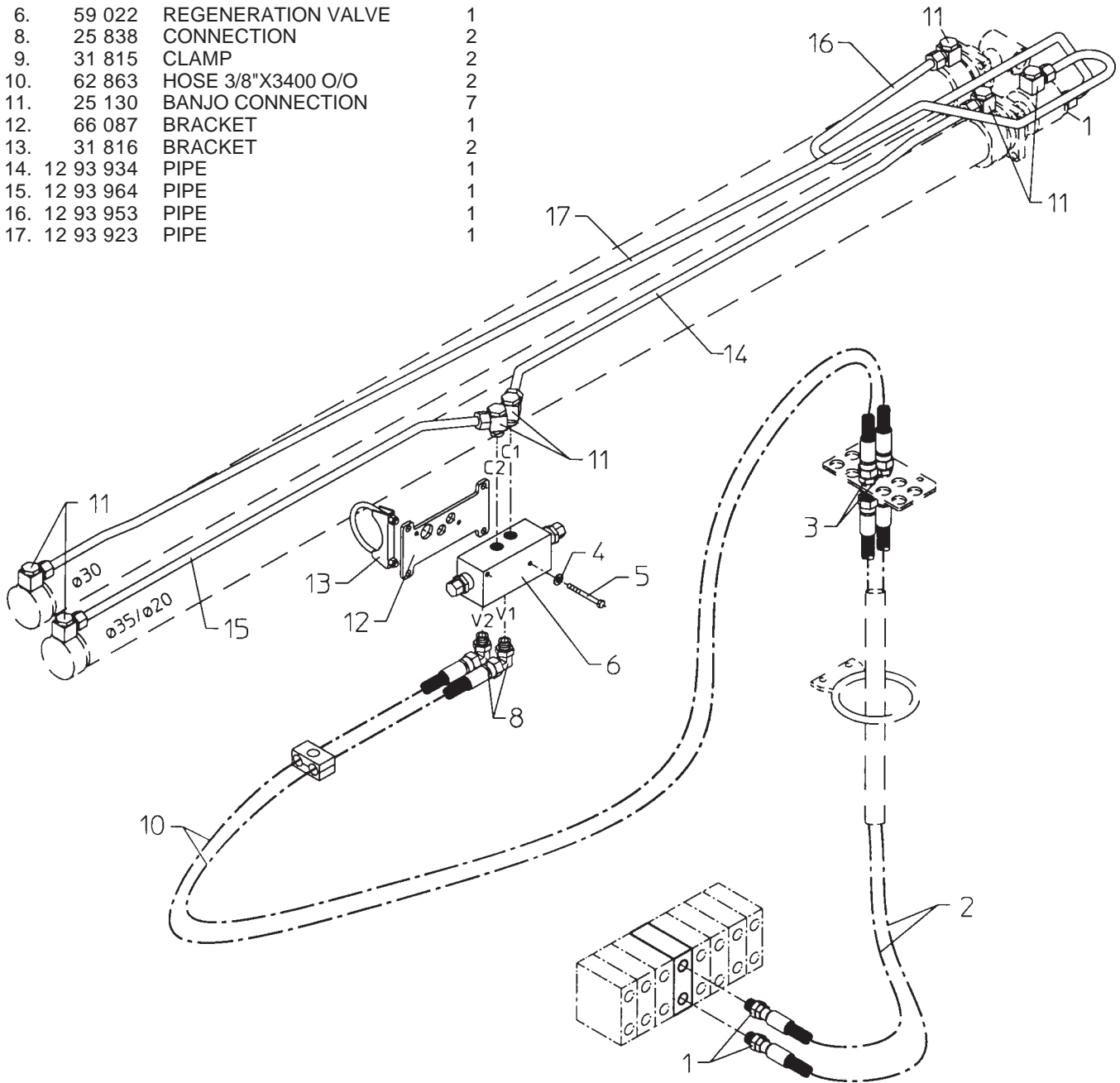
HYDRAULIC SYSTEM-EXT CYLINDER-1H-C50-1700

1.	25 127	CONNECTION	2
2.	62 860	HOSE 3/8"X2200 O/O	2
3.	25 824	CONNECTION	2
4.	31 154	SPRING WASHER 6MM	2
5.	30 120	STEEL BOLT M6X60	2
6.	59 022	REGENERATION VALVE	1
8.	25 838	CONNECTION	2
9.	31 815	CLAMP	2
10.	62 863	HOSE 3/8"X3400 O/O	2
11.	25 130	BANJO CONNECTION	4
12.	66 087	BRACKET	1
13.	31 816	BRACKET	2
14.	12 93 934	PIPE	1
15.	12 93 964	PIPE	1



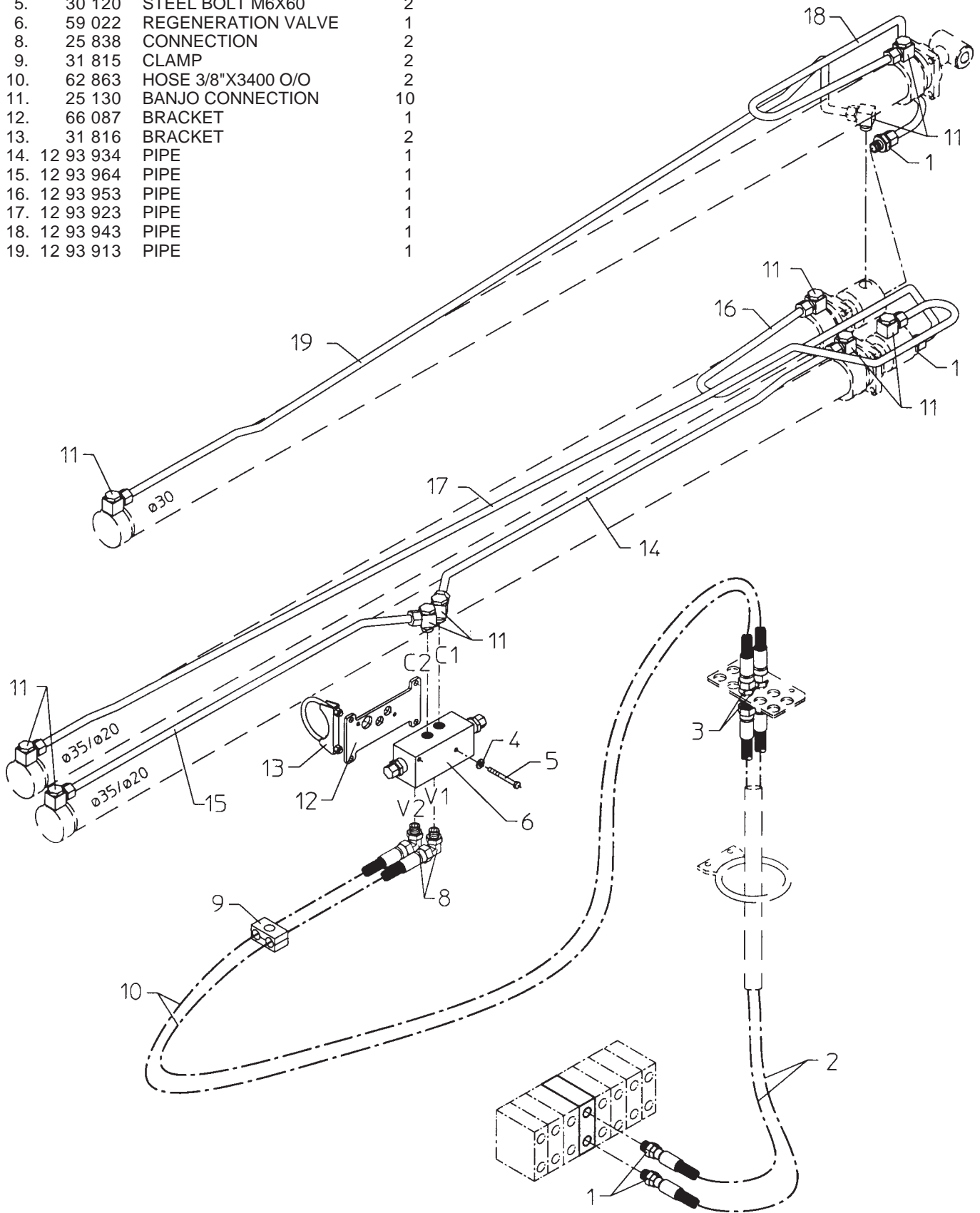
HYDRAULIC SYSTEM-EXT CYLINDER-2H-C50-1700

1.	25 127	CONNECTION	3
2.	00 17 290	HOSE 3/8"X2200 O/O	2
3.	25 824	CONNECTION	2
4.	31 154	SPRING WASHER 6MM	2
5.	30 120	STEEL BOLT M6X60	2
6.	59 022	REGENERATION VALVE	1
8.	25 838	CONNECTION	2
9.	31 815	CLAMP	2
10.	62 863	HOSE 3/8"X3400 O/O	2
11.	25 130	BANJO CONNECTION	7
12.	66 087	BRACKET	1
13.	31 816	BRACKET	2
14.	12 93 934	PIPE	1
15.	12 93 964	PIPE	1
16.	12 93 953	PIPE	1
17.	12 93 923	PIPE	1



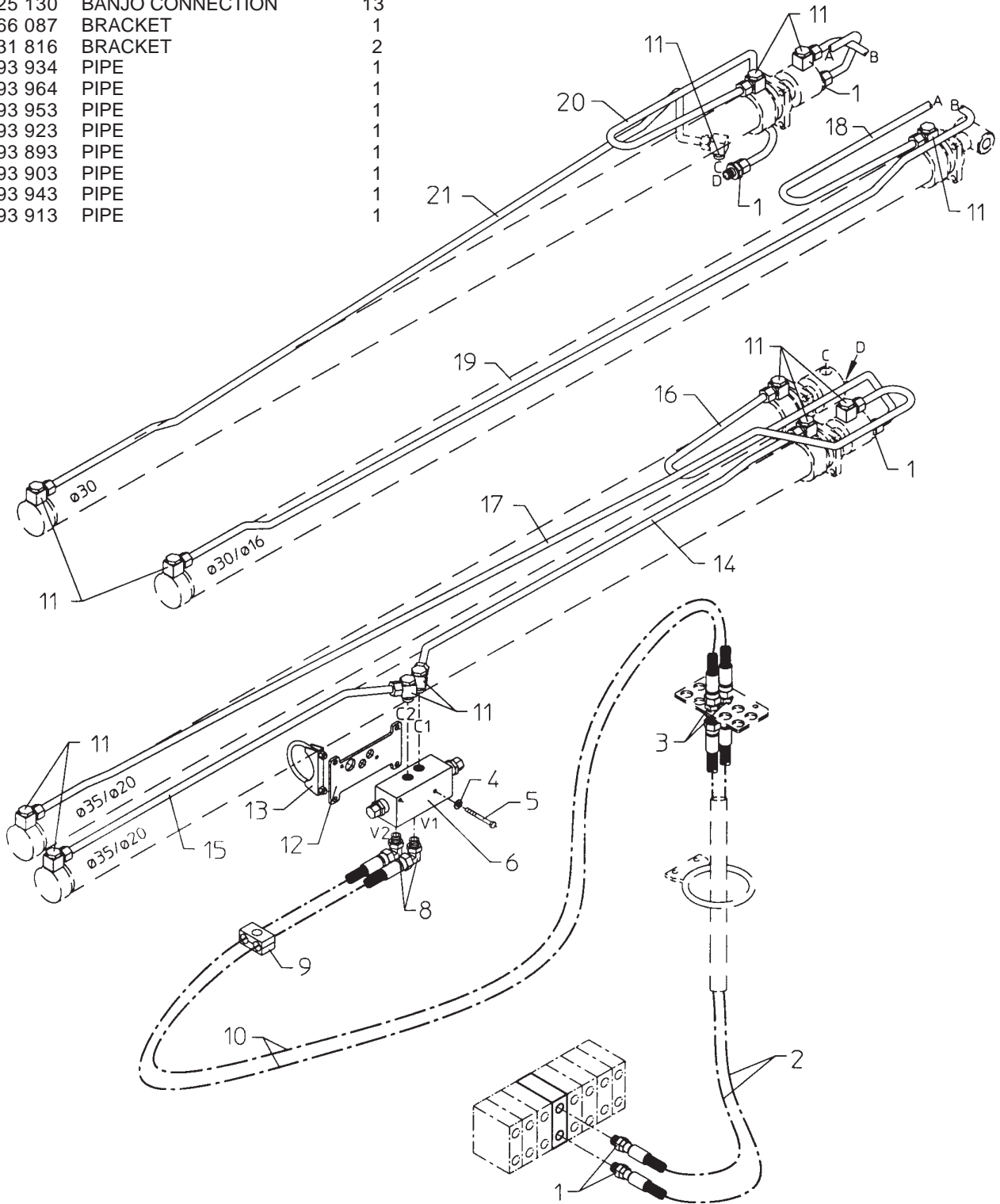
HYDRAULIC SYSTEM-EXT CYLINDER-3H-C50-1700

1.	25 127	CONNECTION	4
2.	62 860	HOSE 3/8"X2200 O/O	2
3.	25 824	CONNECTION	2
4.	31 154	SPRING WASHER 6MM	2
5.	30 120	STEEL BOLT M6X60	2
6.	59 022	REGENERATION VALVE	1
8.	25 838	CONNECTION	2
9.	31 815	CLAMP	2
10.	62 863	HOSE 3/8"X3400 O/O	2
11.	25 130	BANJO CONNECTION	10
12.	66 087	BRACKET	1
13.	31 816	BRACKET	2
14.	12 93 934	PIPE	1
15.	12 93 964	PIPE	1
16.	12 93 953	PIPE	1
17.	12 93 923	PIPE	1
18.	12 93 943	PIPE	1
19.	12 93 913	PIPE	1



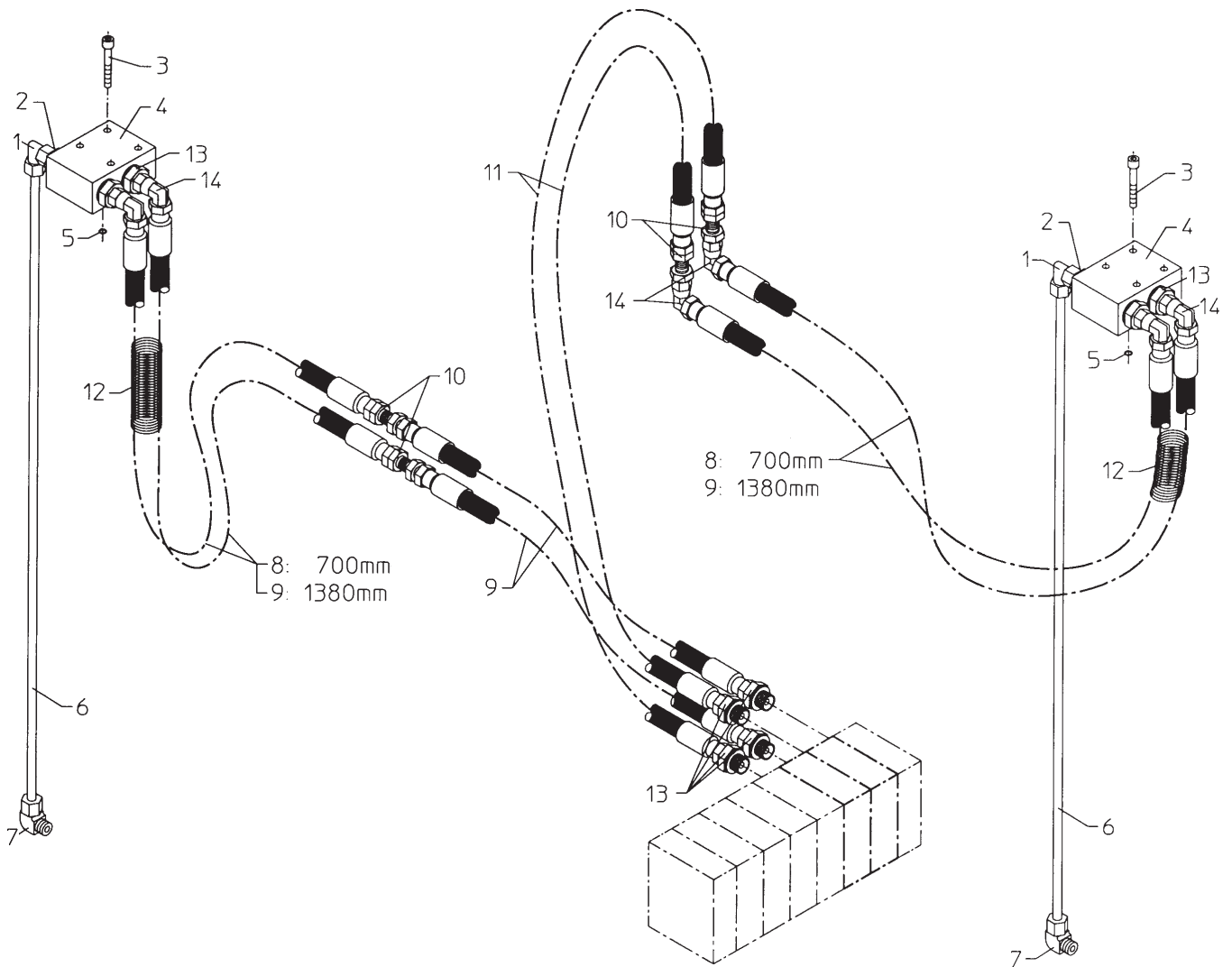
HYDRAULIC SYSTEM-EXT CYLINDER-4H-C50-1700

1.	25 127	CONNECTION	5
2.	62 860	HOSE 3/8"X2200 O/O	2
3.	25 824	CONNECTION	2
4.	31 154	SPRING WASHER 6MM	2
5.	30 120	STEEL BOLT M6X60	2
6.	59 022	REGENERATION VALVE	1
8.	25 838	CONNECTION	2
9.	31 815	CLAMP	2
10.	62 863	HOSE 3/8"X3400 O/O	2
11.	25 130	BANJO CONNECTION	13
12.	66 087	BRACKET	1
13.	31 816	BRACKET	2
14.	12 93 934	PIPE	1
15.	12 93 964	PIPE	1
16.	12 93 953	PIPE	1
17.	12 93 923	PIPE	1
18.	12 93 893	PIPE	1
19.	12 93 903	PIPE	1
20.	12 93 943	PIPE	1
21.	12 93 913	PIPE	1



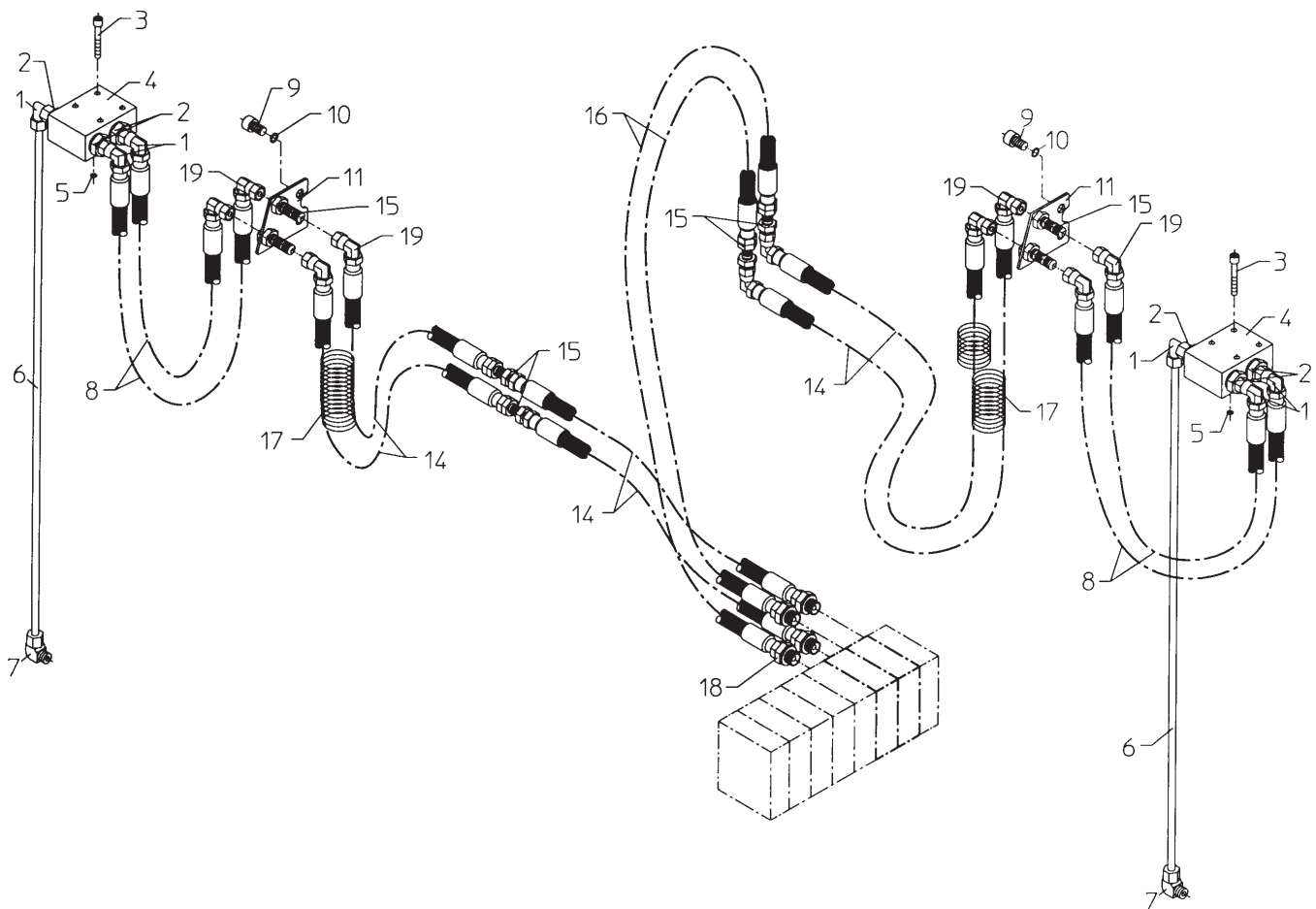
HYDRAULIC SYSTEM-STABILIZERS-TYPE SV/SR

1.	25 248	CONNECTION	2
2.	25 244	CONNECTION	2
3.	30 435	SCREW MC6X45	8
4.	59 924	PILOTED CHECK VALVE	2
5.	20 137	O-RING 9.19X2.62	
6.	12 73 234	PIPE 712MM	2
7.	25 117	CONNECTION	2
8.	62 853	HOSE 1/4"X1230 O/O	4
9.	62 855	HOSE 1/4"X1800 O/O	6
10.	25 823	CONNECTION	4
11.	62 851	HOSE 1/4"X500 L/L	2
12.	62 487	SPIRAL	2
13.	25 830	CONNECTION	8
14.	25 826	CONNECTION	6



HYDRAULIC SYSTEM-STABILIZERS-TYPE DV/DR

1.	25 248	CONNECTION	2
2.	25 244	CONNECTION	2
3.	30 435	SCREW MC6X45	8
4.	59 924	PILOTED CHECK VALVE	2
5.	20 137	O-RING 9.19X2.62	
6.	12 73 234	PIPE 712MM	2
7.	25 117	CONNECTION	2
8.	62 870	HOSE 1/4"X650 O/O	4
9.	30 964	SCREW MC10X16	4
10.	31 156	SPRING WASHER 10MM	4
11.	66 103	PLATE	1
14.	62 855	HOSE 1/4"X1800 O/O	6
15.	25 823	CONNECTION	8
16.	62 851	HOSE 1/4"X500 L/L	2
17.	62 487	SPIRAL	2
18.	25 830	CONNECTION	8
19.	25 826	CONNECTION	10



7/48: 99904679: 20111213

PARTS-49

DECAL PLACEMENT, 7/48 CRANE (99904682)

1.	95720380	DECAL KIT-COMMON	1REF
	95721971	DECAL KIT COMMON (SPANISH)	1REF
2.	70397053	DECAL-GREASE, 4-9 TM	1
3.	70396919	DECAL-DANGER SMALL ARTICULATING (PART OF #1)	2
4.	70392864	DECAL-WARNING STABILIZER STAND CLEAR (PART OF #1)	2
5.	70392865	DECAL-DANGER ELEC HAZARD LG (PART OF #1)	4
6.	70392868	DECAL-WARNING CR LOADLINE (PART OF #1)	4
7.	70392891	DECAL-DANGER DRIVELINE (PART OF #1)	2
8.	70394189	DECAL-MOBIL OIL RESERVOIR (PART OF #1)	1
9.	70391583	DECAL-SET UP/STOW INSTR. (PART OF #1)	2
10.	70029119	PLACARD-SERIAL NO.	1
11.	70397693	DECAL-CP 7/48 1H	2REF
	70397694	DECAL-CP 7/48 2H	2REF
	70397695	DECAL-CP 7/48 3H	2REF
	70397696	DECAL-CP 7/48 4H	2REF
12.	70397692	DECAL-ID 7/48 SERIES	2
13.	70396021	DECAL-MADE IN DENMARK (PART OF #1)	1

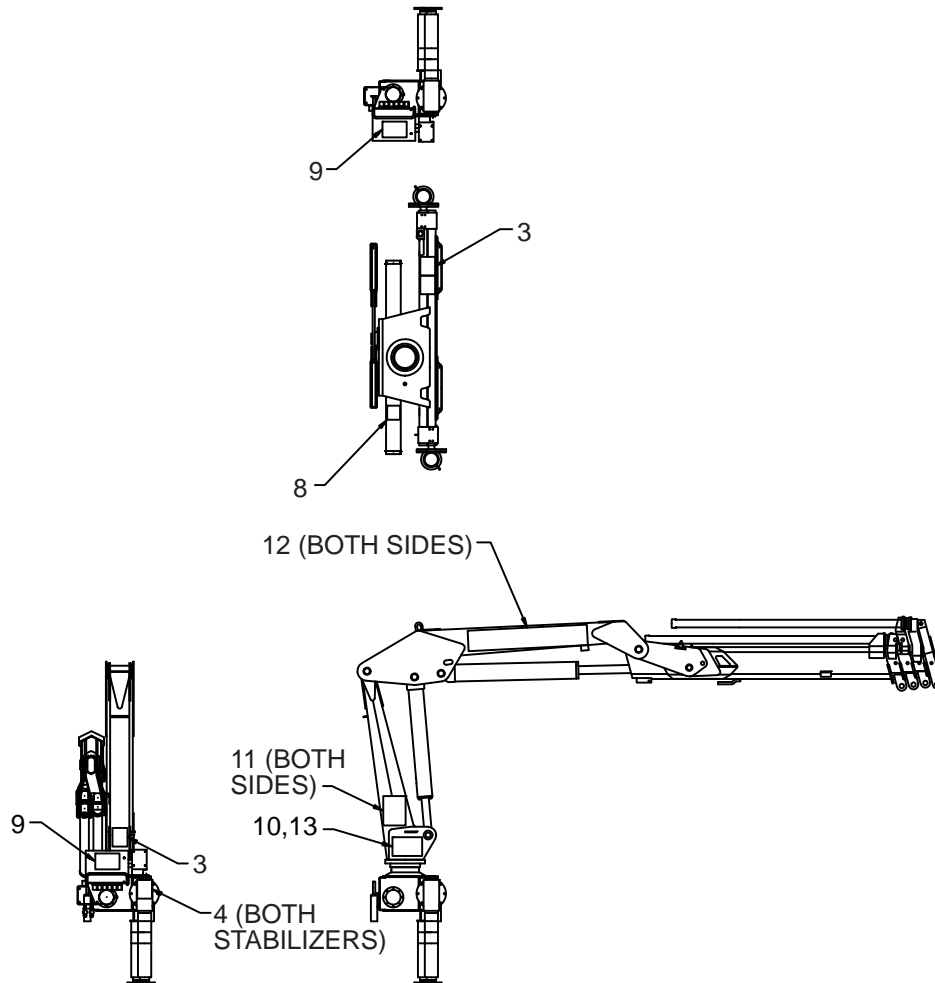
**ADDITIONAL DECALS (CONTROLS)
(BASED ON CONFIGURATION)**

65 762	CONTROL LABEL, 6 FUNCT. HORIZONTAL ORIENT. (SMALL-PD)
65 763	CONTROL LABEL, 6 FUNCT. HORIZONTAL ORIENT. (SMALL)
65 937	CONTROL LABEL, 6 FUNCT. HORIZONTAL ORIENT. (LARGE-PD)
65 938	CONTROL LABEL, 6 FUNCT. HORIZONTAL ORIENT. (LARGE)
65 185	CONTROL LABEL, STABILIZERS VERTICAL ORIENT.
65 521	CONTROL LABEL, 4 FUNCT. HORIZONTAL ORIENT. (SMALL)
65 850	CONTROL LABEL, 5 FUNCT. HORIZONTAL ORIENT. (LARGE)
65 540	CONTROL LABEL, WINCH

Decal Placement (if not shown on crane)

ITEM #	LOCATION
5,6	One on all four sides of carrier vehicle.
7	At or near driveline.

Note: Item #11 is dependent on crane configuration.



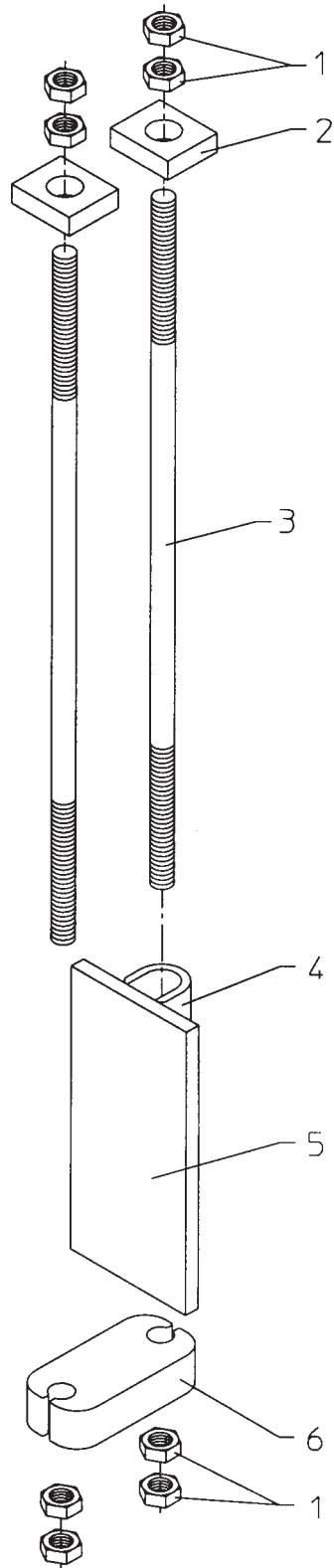
7/48: 452 06 100: 20020328

MOUNTING FITTINGS

- 1. 30 833 NUT 7/8"UNF
- 2. 66 57 044 WASHER
- 3. 66 57 614 MOUNTING BOLT 850MM
- 4. 66 59 914 U-SECTION
- 5. 66 59 924 SPACER
- 6. 59 58 574 CLAMP

- 32
- 8
- 8
- 4
- 4
- 4

PARTS-50

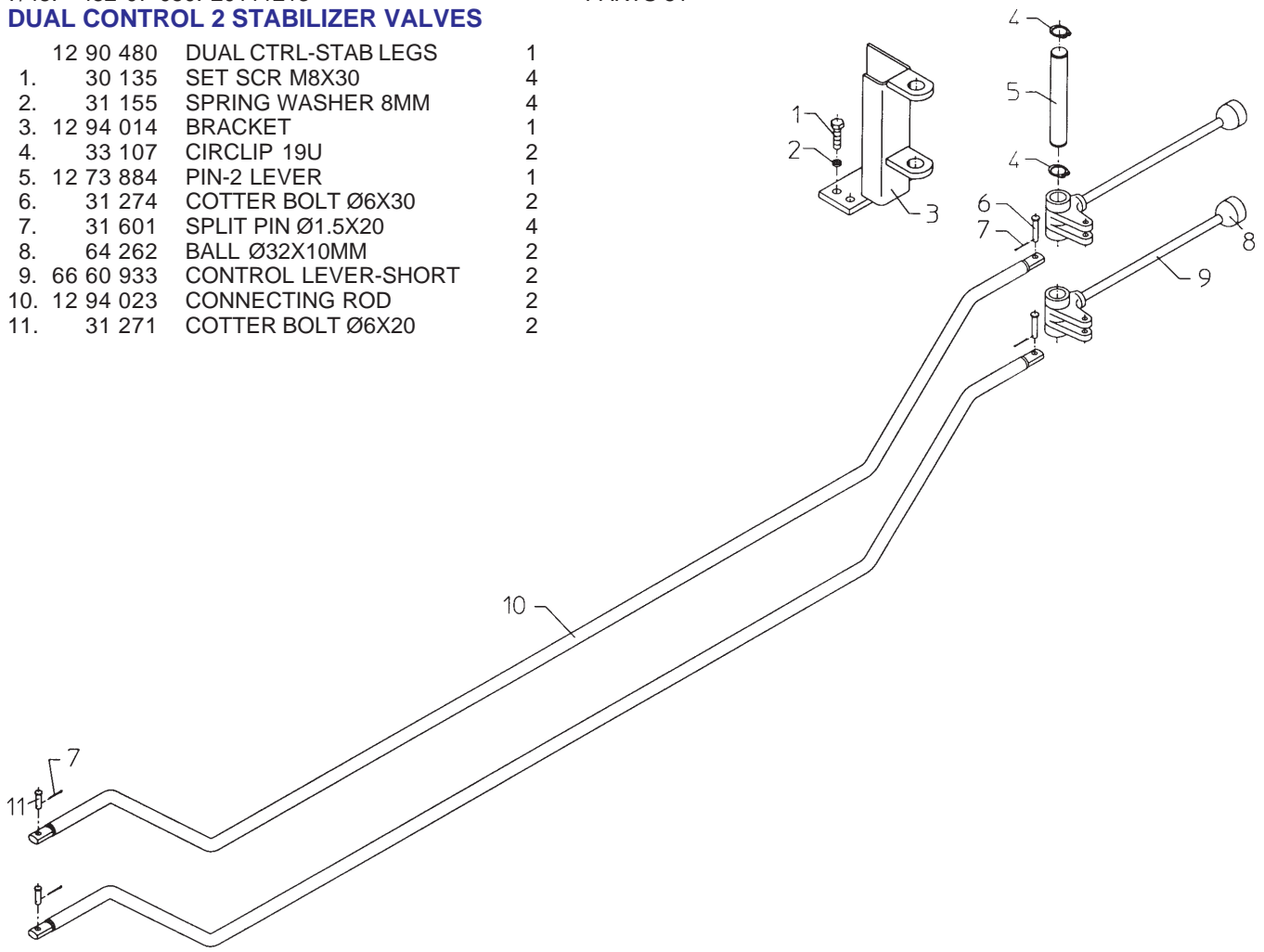


7/48: 452 07 050: 20111213

PARTS-51

DUAL CONTROL 2 STABILIZER VALVES

12 90 480	DUAL CTRL-STAB LEGS	1
1. 30 135	SET SCR M8X30	4
2. 31 155	SPRING WASHER 8MM	4
3. 12 94 014	BRACKET	1
4. 33 107	CIRCLIP 19U	2
5. 12 73 884	PIN-2 LEVER	1
6. 31 274	COTTER BOLT Ø6X30	2
7. 31 601	SPLIT PIN Ø1.5X20	4
8. 64 262	BALL Ø32X10MM	2
9. 66 60 933	CONTROL LEVER-SHORT	2
10. 12 94 023	CONNECTING ROD	2
11. 31 271	COTTER BOLT Ø6X20	2

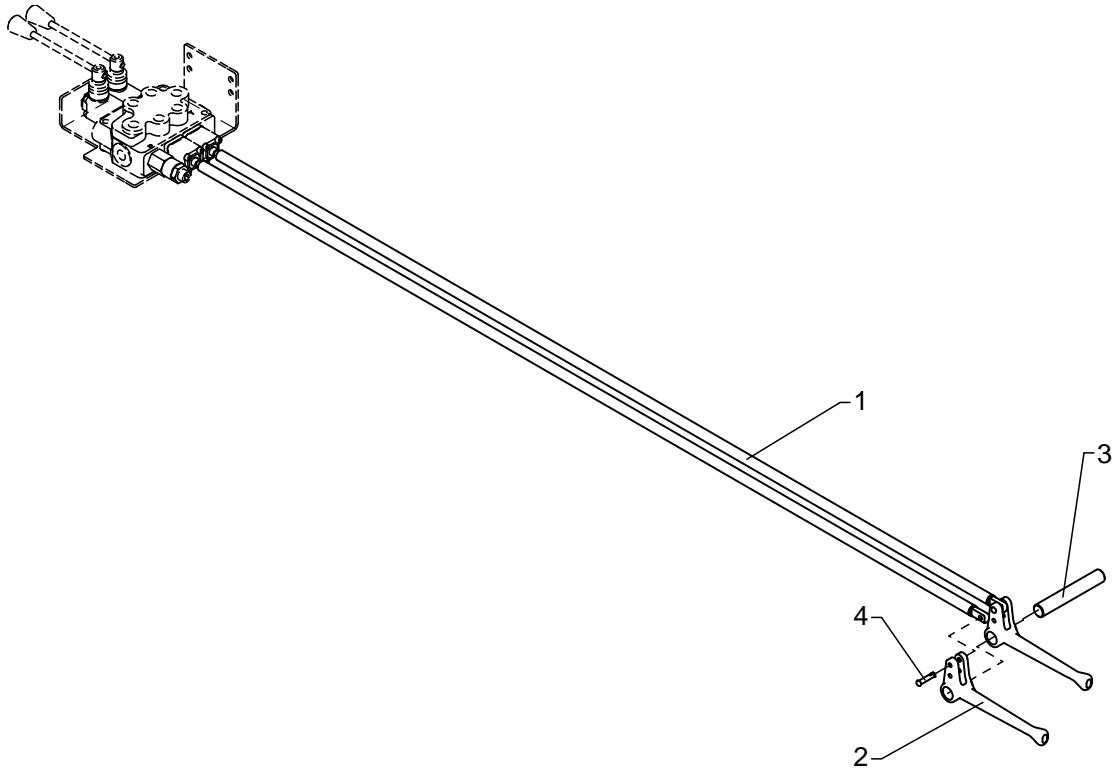


7/48: 080 07 060: 20090619

PARTS-52

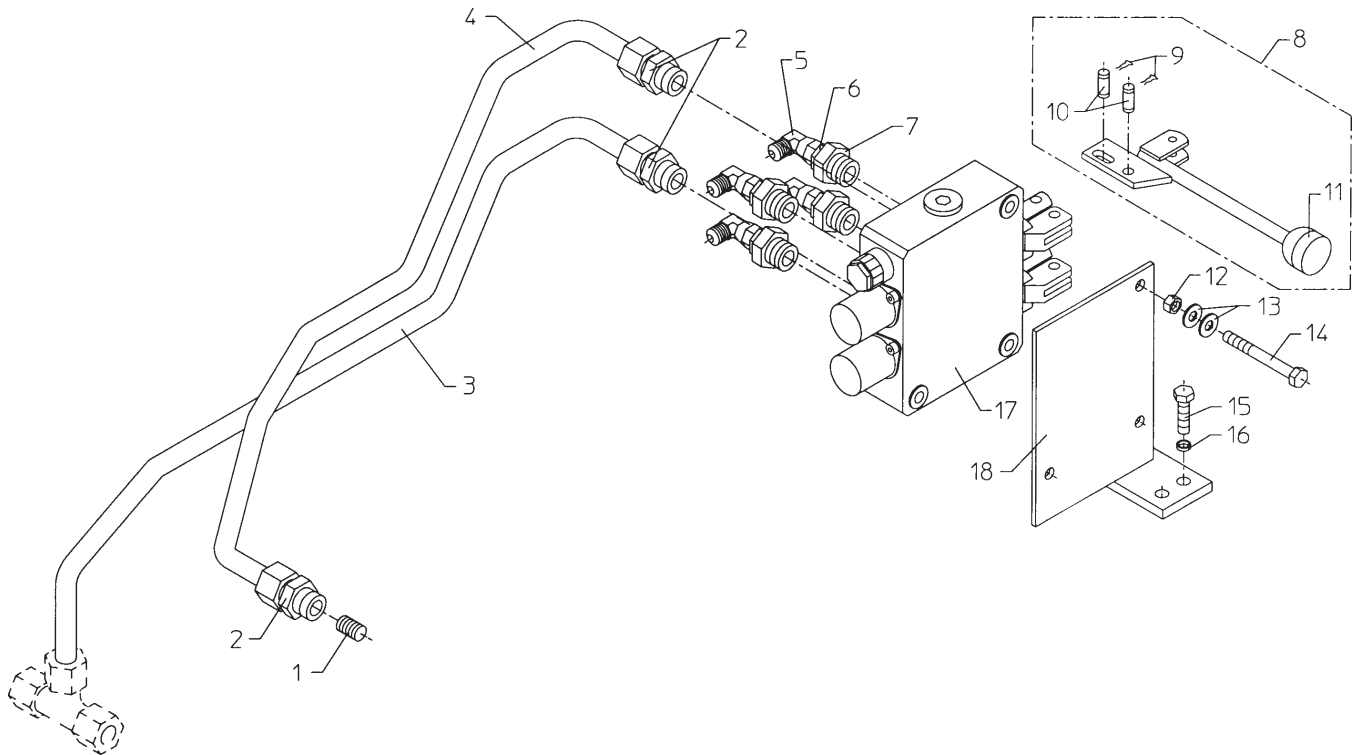
DUAL CONTROL FOR SERIES CONNECTION, M50

- | | | | |
|----|---------|----------------------------|---|
| 1. | 1297593 | CONNECTING ROD | 2 |
| 2. | 63444 | LEVER, DUAL CONTROL | 2 |
| 3. | 63453 | PIN | 1 |
| 4. | 63468 | SPLIT PIN WITH SPRING LOCK | 2 |



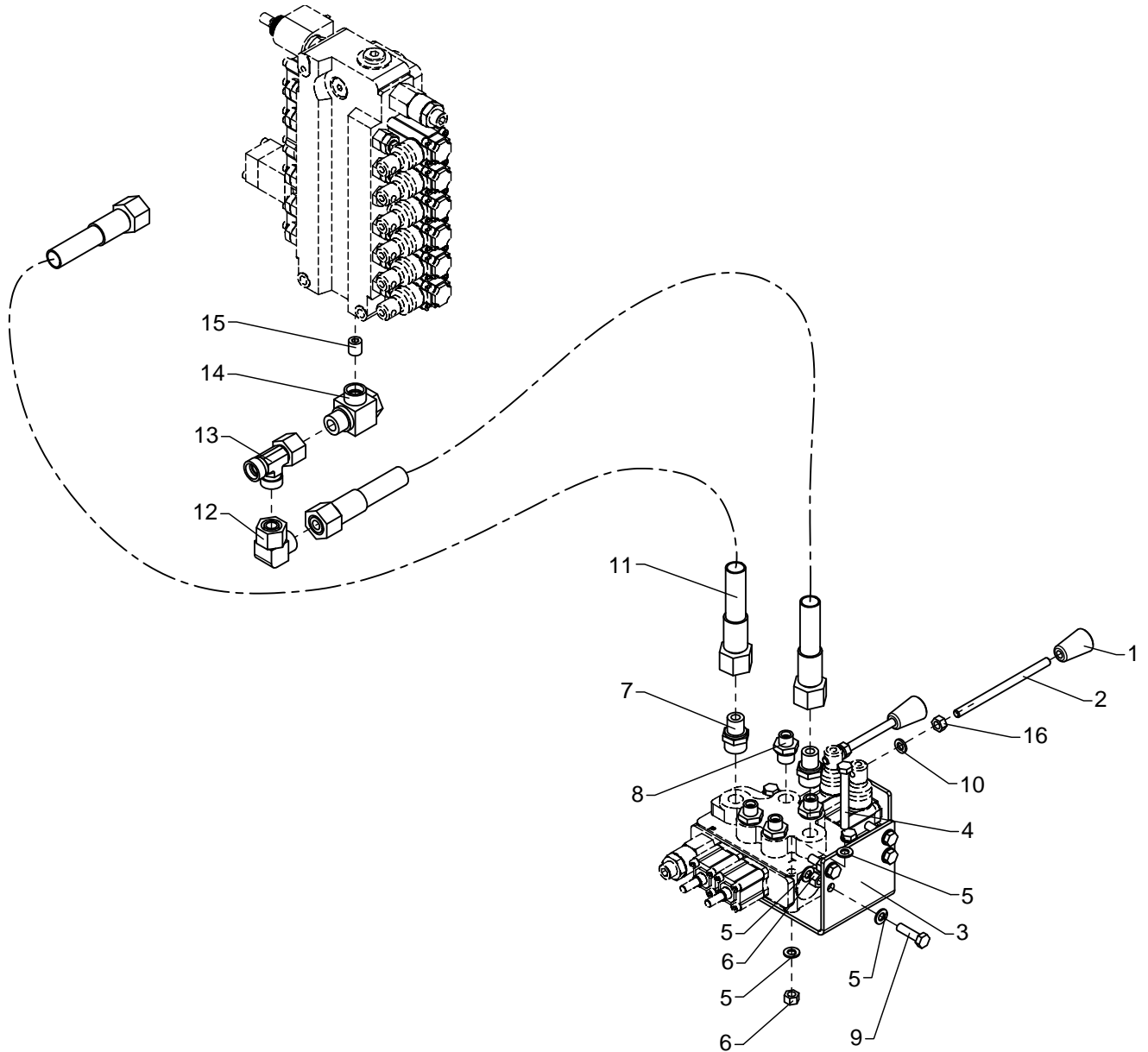
SERIES CONNECTION PARTS-RS150

1.	59 591	BLANKING PLUG	1
2.	25 143	CONNECTION	3
3.	12 93 973	PIPE	1
4.	12 93 983	PIPE	1
5.	25 826	CONNECTION	4
6.	25 829	CONNECTION	4
7.	25 821	CONNECTION	4
8.	66 31 270	CONTROL LEVER-SHORT	2
9.	61 320	PIN LOCK	
10.	61 364	PIN	
11.	64 262	BALL Ø32X10MM	
12.	30 886	LOCK NUT M8	3
13.	31 136	WASHER 8MM	6
14.	30 142	STEEL BOLT M8X70	3
15.	30 135	SET SCR M8X30	4
16.	31 155	SPRING WASHER 8MM	4
17.	59 561	VALVE BLOCK-2 SECTION	1
18.	12 93 274	BRACKET	1



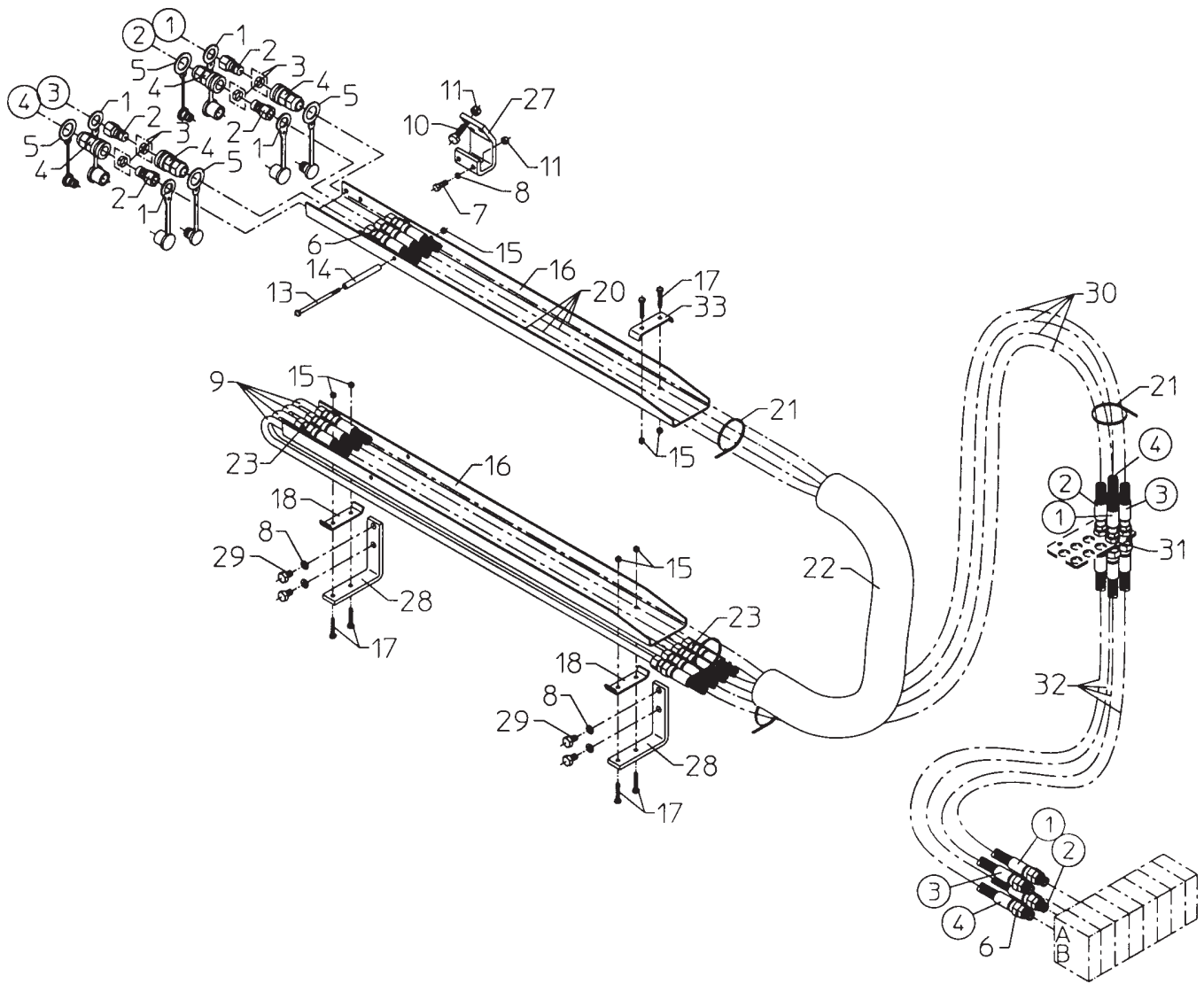
SERIES CONNECTION PARTS-M50

1.	59224	KNOB FOR LEVER	2
2.	1320252	CTRL LEVER, SHORT, STR	2
3.	1297543	VALVE BRACKET	1
4.	30142	STEEL BOLT, STAINLESS M8 X 70	3
5.	31147	WASHER, STAINLESS 8MM	14
6.	30886	LOCK NUT, STAINLESS M8	7
7.	25273	CONNECTION	2
8.	25244	CONNECTION	4
9.	30135	SET SCREW, STAINLESS M8 X 30	4
10.	31155	SPRING WASHER 8 MM	2
11.	16080	HOSE	2
12.	25284	ELBOW CONNECTION	1
13.	26142	CONNECTION	1
14.	25158	BANJO CONNECTION	1
15.	30417	PIPE PLUG	1
16.	30856	NUT, STAINLESS	2



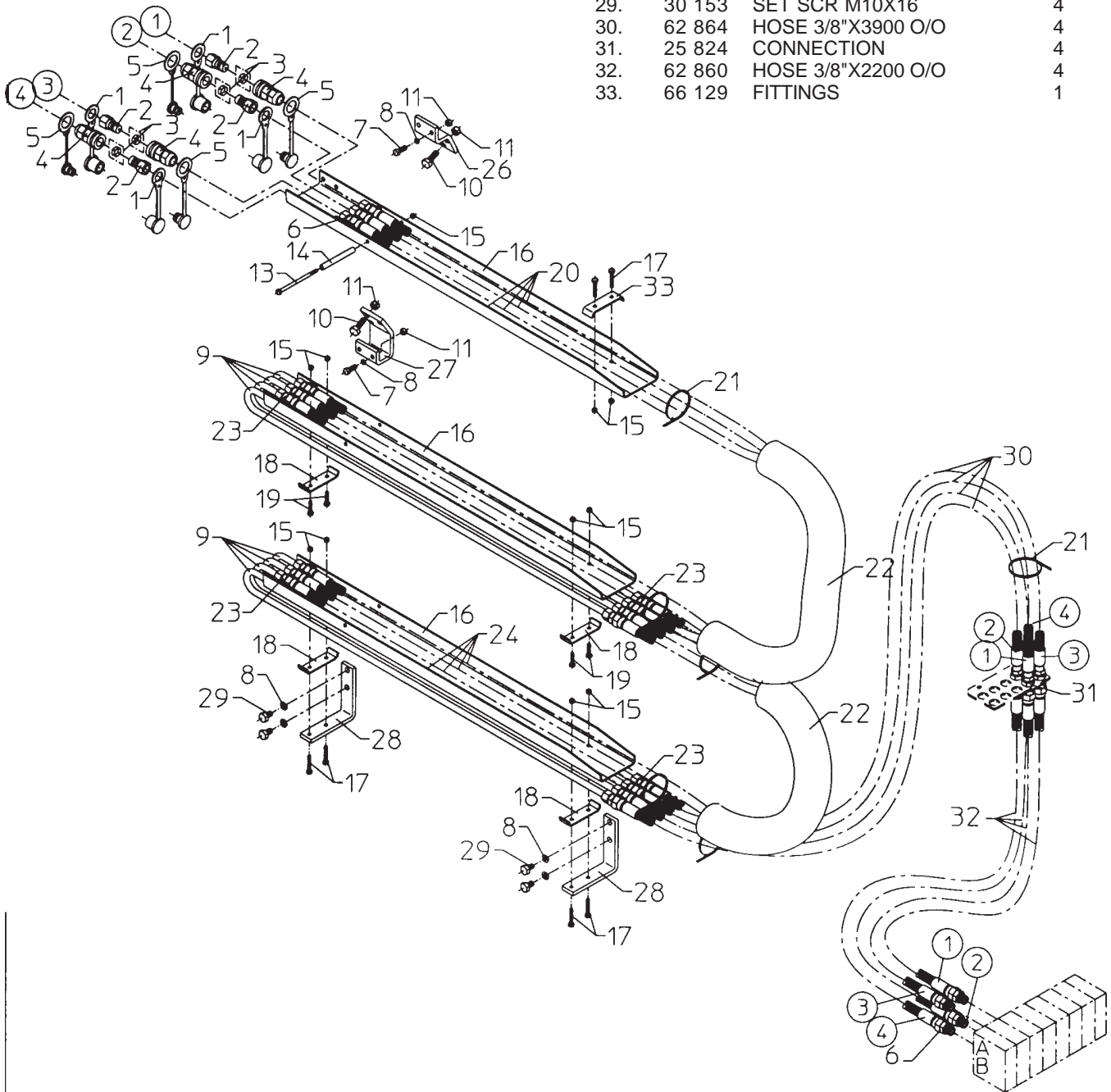
EXTRA VALVES-1H

12 90 090	MOUNTING KIT	1	14. 12 93 834	PIPE	1
12 90 130	MOUNTING KIT	1	15. 30 884	LOCK NUT M6	7
12 95 060	MOUNTING KIT	1	16. 66 106	HOSE GUIDE	2
12 95 100	MOUNTING KIT	1	17. 30 116	STEEL BOLT M6X35	6
1. 60 622	DUST CAP 3/8"M	4	18. 66 105	FITTINGS	2
2. 60 619	QUICK COUPLING 3/8"F	4	20. 62 871	HOSE 3/8"X2000 O/O	4
3. 60 635	SEAL KIT 3/8"		21. 27 274	CLIP	4
4. 60 620	QUICK COUPLING 3/8"M	4	22. 62 592	PROTECTIVE COVER	1
5. 60 621	DUST CAP 3/8"M	4	23. 25 843	CONNECTION	8
6. 25 831	CONNECTION	8	27. 12 93 713	FITTINGS	1
7. 30 155	SET SCR M10X25	2	28. 12 93 723	FITTINGS	2
8. 31 118	WASHER 10MM	6	29. 30 153	SET SCR M10X16	4
9. 12 95 264	PIPE	4	30. 62 864	HOSE 3/8"X3900 O/O	4
10. 30 156	SET SCR M10X30	3	31. 25 824	CONNECTION	4
11. 30 888	LOCK NUT M10	5	32. 62 860	HOSE 3/8"X2200 O/O	4
13. 32 107	STEEL BOLT M6X120	1	33. 66 129	FITTINGS	1



EXTRA VALVES-2H

12 90 100	MOUNTING KIT	1	11.	30 888	LOCK NUT M10	10
12 90 140	MOUNTING KIT	1	13.	32 107	STEEL BOLT M6X120	1
12 95 070	MOUNTING KIT	1	14.	12 93 834	PIPE	1
12 95 110	MOUNTING KIT	1	15.	30 884	LOCK NUT M6	11
1. 60 622	DUST CAP 3/8"M	4	16.	66 106	HOSE GUIDE	3
2. 60 619	QUICK COUPLING 3/8"F	4	17.	30 116	STEEL BOLT M6X35	6
3. 60 635	SEAL KIT 3/8"		18.	66 105	FITTINGS	4
4. 60 620	QUICK COUPLING 3/8"M	4	19.	30 115	STEEL BOLT M6X30	4
5. 60 621	DUST CAP 3/8"M	4	20.	62 871	HOSE 3/8"X2000 O/O	4
6. 25 831	CONNECTION	8	21.	27 274	CLIP	6
7. 30 155	SET SCR M10X25	4	22.	62 592	PROTECTIVE COVER	2
8. 31 118	WASHER 10MM	8	23.	25 843	CONNECTION	16
9. 12 95 264	PIPE	8	24.	62 857	HOSE 3/8"X1150 O/O	4
10. 30 156	SET SCR M10X30	6	26.	12 93 823	FITTINGS	1
			27.	12 93 713	FITTINGS	1
			28.	12 93 723	FITTINGS	2
			29.	30 153	SET SCR M10X16	4
			30.	62 864	HOSE 3/8"X3900 O/O	4
			31.	25 824	CONNECTION	4
			32.	62 860	HOSE 3/8"X2200 O/O	4
			33.	66 129	FITTINGS	1

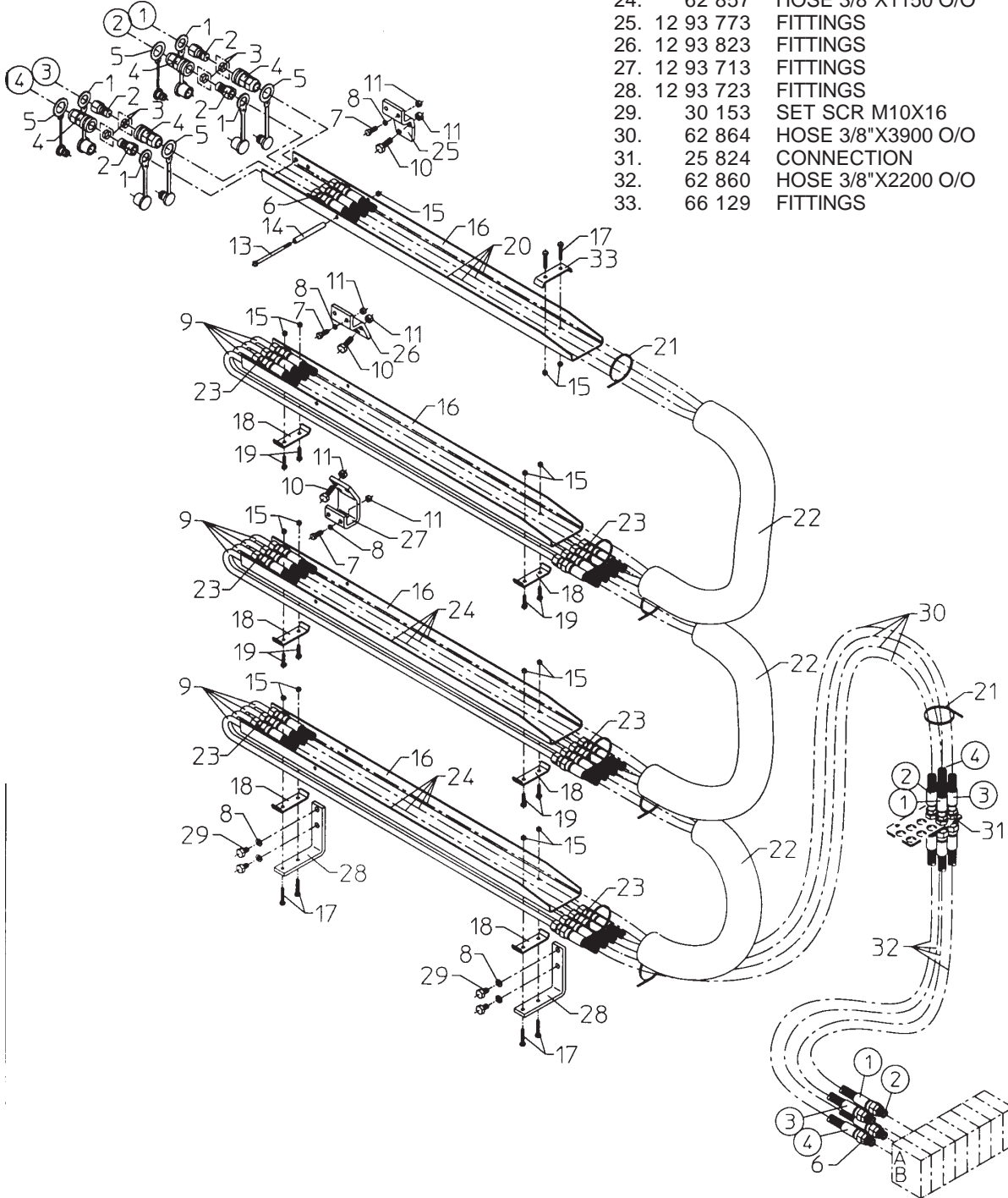


EXTRA VALVES-3H

12 90 110	MOUNTING KIT	1
12 90 150	MOUNTING KIT	1
12 95 080	MOUNTING KIT	1
12 95 120	MOUNTING KIT	1
1. 60 622	DUST CAP 3/8"M	4
2. 60 619	QUICK COUPLING 3/8"F	4
3. 60 635	SEAL KIT 3/8"	
4. 60 620	QUICK COUPLING 3/8"M	4
5. 60 621	DUST CAP 3/8"M	4
6. 25 831	CONNECTION	8
7. 30 155	SET SCR M10X25	6
8. 31 118	WASHER 10MM	10

PARTS-57

9. 12 95 264	PIPE	12
10. 30 156	SET SCR M10X30	9
11. 30 888	LOCK NUT M10	15
13. 32 107	STEEL BOLT M6X120	1
14. 12 93 834	PIPE	1
15. 30 884	LOCK NUT M6	15
16. 66 106	HOSE GUIDE	4
17. 30 116	STEEL BOLT M6X35	6
18. 66 105	FITTINGS	6
19. 30 115	STEEL BOLT M6X30	8
20. 62 871	HOSE 3/8"X2000 O/O	4
21. 27 274	CLIP	8
22. 62 592	PROTECTIVE COVER	3
23. 25 843	CONNECTION	24
24. 62 857	HOSE 3/8"X1150 O/O	8
25. 12 93 773	FITTINGS	1
26. 12 93 823	FITTINGS	1
27. 12 93 713	FITTINGS	1
28. 12 93 723	FITTINGS	2
29. 30 153	SET SCR M10X16	4
30. 62 864	HOSE 3/8"X3900 O/O	4
31. 25 824	CONNECTION	4
32. 62 860	HOSE 3/8"X2200 O/O	4
33. 66 129	FITTINGS	1

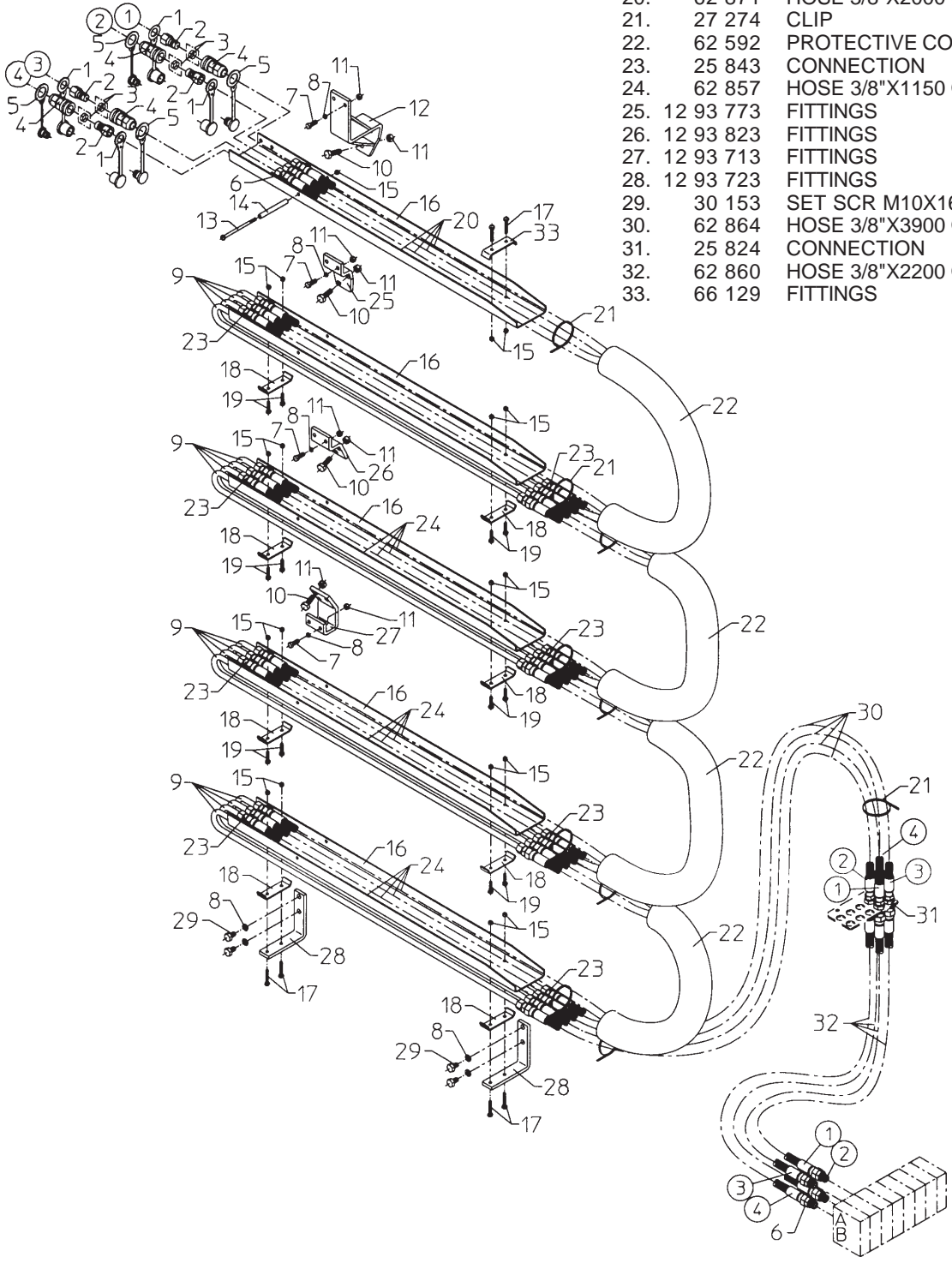


EXTRA VALVES-4H

PARTS-58

12 90 120	MOUNTING KIT	1
12 90 160	MOUNTING KIT	1
12 95 090	MOUNTING KIT	1
12 95 130	MOUNTING KIT	1
1. 60 622	DUST CAP 3/8"M	4
2. 60 619	QUICK COUPLING 3/8"F	4
3. 60 635	SEAL KIT 3/8"	
4. 60 620	QUICK COUPLING 3/8"M	4
5. 60 621	DUST CAP 3/8"M	4
6. 25 831	CONNECTION	8
7. 30 155	SET SCR M10X25	8

8. 31 118	WASHER 10MM	12
9. 12 95 264	PIPE	16
10. 30 156	SET SCR M10X30	12
11. 30 888	LOCK NUT M10	20
12. 12 93 814	FITTINGS	1
13. 32 107	STEEL BOLT M6X120	1
14. 12 93 834	PIPE	1
15. 30 884	LOCK NUT M6	19
16. 66 106	HOSE GUIDE	5
17. 30 116	STEEL BOLT M6X35	6
18. 66 105	FITTINGS	8
19. 30 115	STEEL BOLT M6X30	12
20. 62 871	HOSE 3/8"X2000 O/O	4
21. 27 274	CLIP	10
22. 62 592	PROTECTIVE COVER	4
23. 25 843	CONNECTION	32
24. 62 857	HOSE 3/8"X1150 O/O	12
25. 12 93 773	FITTINGS	1
26. 12 93 823	FITTINGS	1
27. 12 93 713	FITTINGS	1
28. 12 93 723	FITTINGS	2
29. 30 153	SET SCR M10X16	4
30. 62 864	HOSE 3/8"X3900 O/O	4
31. 25 824	CONNECTION	4
32. 62 860	HOSE 3/8"X2200 O/O	4
33. 66 129	FITTINGS	1



7/48: 99903568: REV. D 20080605

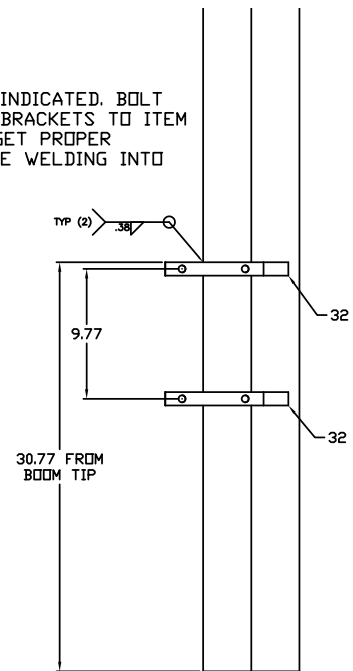
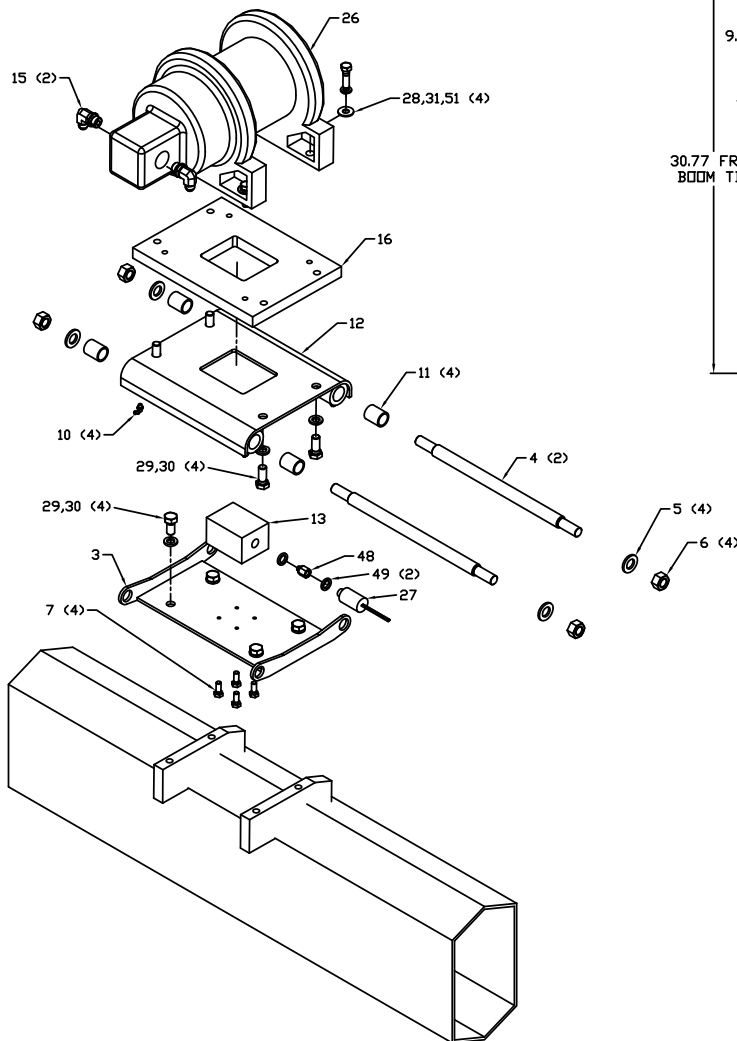
PARTS-59

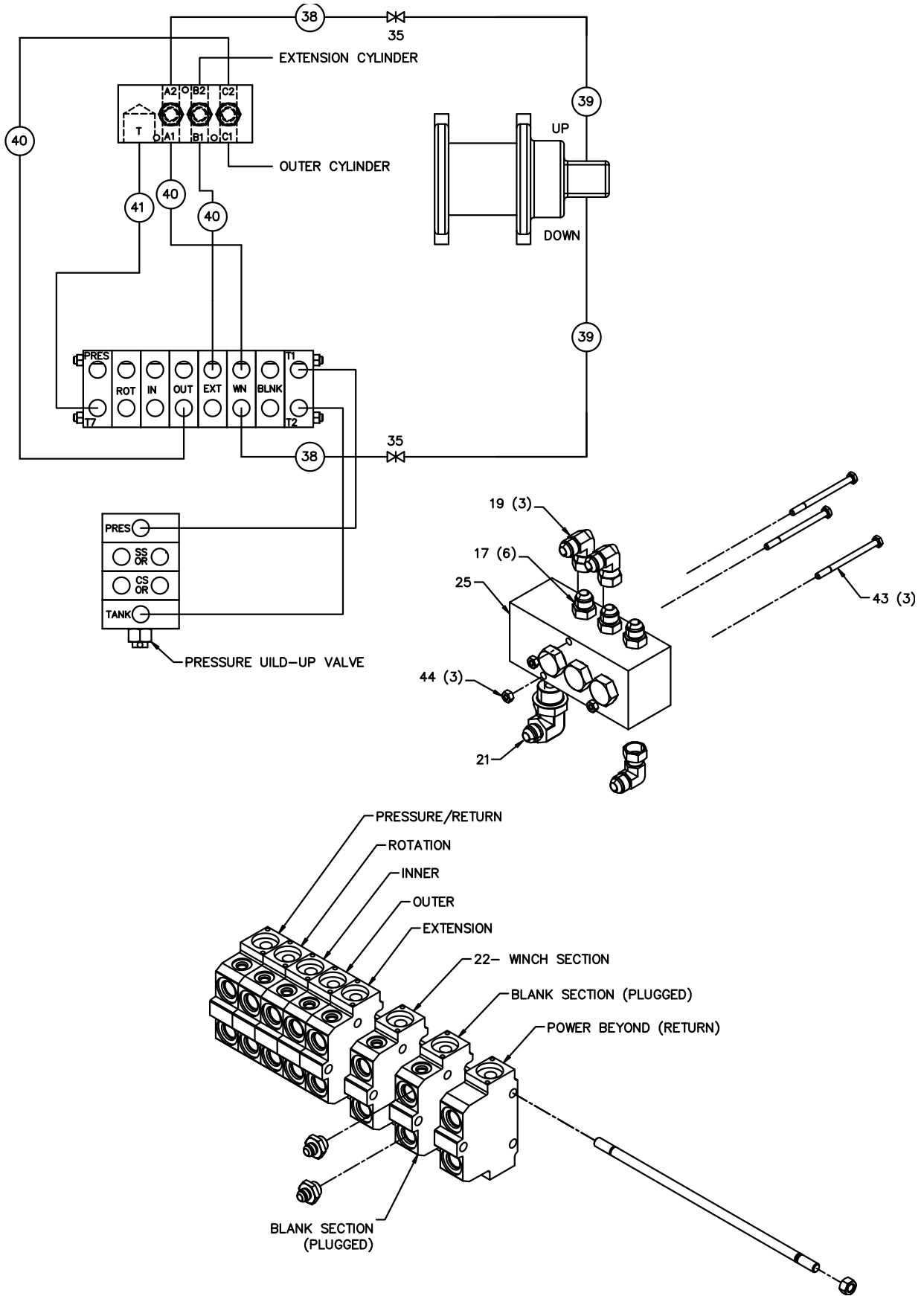
WINCH KIT (99903568-1)

1.	70148529	WINCH KIT	1
3.	6885213	WINCH MTG BRACKET	1
4.	6885244	PIN-WINCH MOUNTING	2
5.	31179	WASHER 37X21X3MM	4
6.	30894	NUT-LOCK M20	4
7.	30155	CAP SCR M10X25	4
10.	31322	ZERK 1/8" 90°	4
11.	23307	BUSHING - WINCH	4
12.	6885173	BRKT-SLIDER WINCH (WAS 6886633)	1
13.	6885120	WEIGHING HYD CELL	1
14.	72533628	CONNECTOR - M BSPP 8-8F	3REF
15.	72053764	ELBOW #10MSTR #8MJIC 90°	2REF
16.	60125700	SPACER-WINCH KIT	1
17.	72532358	ADPTR #8MSTR #8MJIC	6REF
19.	72532658	ELBOW #8MJIC #8FJIC SW	3REF
21.	72533595	ELBOW #12MSTR #8MJIC 90°	1REF
22.	59148	CONTROL VALVE EXCL. LEVER	1
25.	73540085	VALVE BLOCK ASM (PART OF 1)	1REF
26.	71570701	WINCH (PART OF 1)	1REF
27.	77041552	PRESS SWITCH (PART OF 1) (WAS 77041549)	1REF
28.	72060094	CAP SCR 1/2-13X1.75 HHGR5Z	4
29.	72060148	CAP SCR 5/8-11 X 1.25 HHGR5Z	8

30.	72063055	WASHER 5/8 LOCK ZINC	8
31.	72063132	WASHER 1/2 N FLAT	4
32.	60124773	MTGBRACKET-WINCH	2
35.	72533373	UNION-BLKHD 37° JIC 3/4	2REF
37.	51711085	HOSE-FF 1/4X260.38 OAL (8-8)	1REF
38.	51394426	HOSE-FF 3/8X87 OAL (8-8)	2REF
39.	51396484	HOSE-FF 3/8X174 OAL (8-8)	2REF
40.	51394390	HOSE-FJ 3/8X27 OAL (8-8)	3REF
41.	51393940	HOSE-FF 1/2X20 OAL (8-8)	1REF
42.	51718545	HOSE/ADPTR KIT (INCL. 14,15,17,19,21,35,38-41)	1
43.	72060016	CAP SCR 1/4-20X4 HHGR5Z	3
44.	72062104	NUT 1/4-20 HEX NYLOC	3
46.	70395989	DECAL-CONTROL SS WINCH	1
47.	70395990	DECAL-CONTROL CS WINCH	1
48.	6886834	ADAPTER-CONVERSION	1
49.	21102	SEAL WASHER	2
50.	51716903	HARNESS-WINCH	1
51.	72063053	WASHER 1/2 LOCK	4

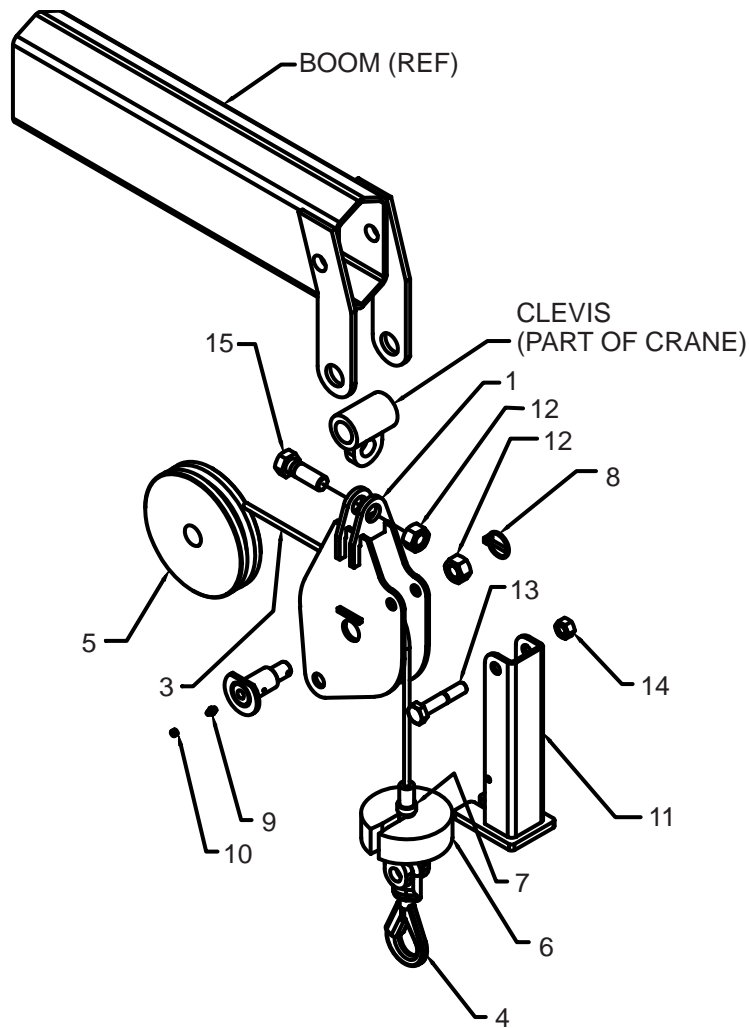
MODIFY BOOM AS INDICATED. BOLT WINCH MOUNTING BRACKETS TO ITEM #3 BRACKET TO GET PROPER ALIGNMENT BEFORE WELDING INTO PLACE.





CABLE & HOOK KIT (41717823)

1.	52716416	YOKE WELDMENT	1
2.	52716421	PIN	1
3.	70580165	WIRE ROPE ASM	1
4.	70732870	HOOK-SWVL POS LOCK 1.8TON	1
5.	60030325	SHEAVE	1
6.	60119011	DOWN HAUL WT (WAS 60118434)	1
7.	70149793	COLLAR-SHAFT (WAS 70145121)	1
8.	72661367	PIN-QUICK	1
9.	72053508	ZERK-NPT .12	1
10.	70034382	CAP-GREASE	1
11.	52716474	WELDMENT-WINCH STOP	1
12.	72062009	NUT 1.00- 8 HEX ZINC	1
13.	72060189	CAP SCR .75-10X 4.00 HH GR5 Z	1
14.	72062114	NUT .75-10 HEX NYLOC ZINC	1
15.	72601621	CAP SCR 1.00- 8X 3.0 HHGR8 Z	1
16.	72062137	NUT 1.00-8 HEX NYLOC ZINC	1



IMT

MATERIAL HANDLING SYSTEMS

IOWA MOLD TOOLING CO., INC.

BOX 189, GARNER, IA 50438-0189

641-923-3711

TECHNICAL SUPPORT FAX: 641-923-2424

MANUAL PART NUMBER: 99904681