

Valla



1725-22 SE



Electric battery operated Carry-Deck Mobile Crane Max. Capacity **Lbs. 22,000**



Valla

ON WHEEL FRONTAL

OUTREACH (Ft)	CAPACITY (Lbs.)
6	15,400
19	3,300
24	1,800



Valla

ON OUTRIGGER

OUTREACH (Ft)	PORTATA (Lbs)
6	2,200
19	3,600
24	2,600

TECHNICAL DATA

DRIVING: by DC 10kW 48V reversible electric motor , controlled by inverter, variable speed controlled by electronic diagnostic, temperature control and alarm on brushes wear.

TRANSMISSION: differential axle with reduction gear between motor and wheels.

BATTERY: 48V 960Ah battery, battery meter on dashboard.

BRAKES: hydraulic brake drum on the front and rear wheels. Parking hand brake mechanically operated.

SUSPENSION: oscillating rear axle.

OUTRIGGERS: four horizontal independent outriggers, controlled by safety valves.

WINCH: hydraulic controlled by safety device.

WHEELS: nr. 4 superelastic 300 R15.

BOOM: boom fabricated from preformed and welded quality steel plate. Nr.4 telescoping sections: 1 fixed; 2 hydraulically telescoping. Fitted with nylon wear pads adjustable wear pads on the sides. Incorporated manual extension 360° slewing.

BOOM CONTROL: proportional distributor controlled with joystick. Fitted with filter and safety valves. Motor driven pump 8 Kw 48V CC.

LMI: electronic Load Moment Indicator. Display showing lifted load, max allowed load, tilting percentage, operative radius, angle, telescope and light indicators on the operative mode.

TOTAL WEIGHT: Lbs. 27,000 **MAX. CAPACITY:** Lbs. 22,000

Options on request: 4 wheel steering; swingaway Jib extension (0° -45°); man bucket and relevant certification as aerial platform; remote control; enclosed cab; non marking tires; full set of road lights.

Data subject to be changed without any previous notice. Pictures may differ from technical description.

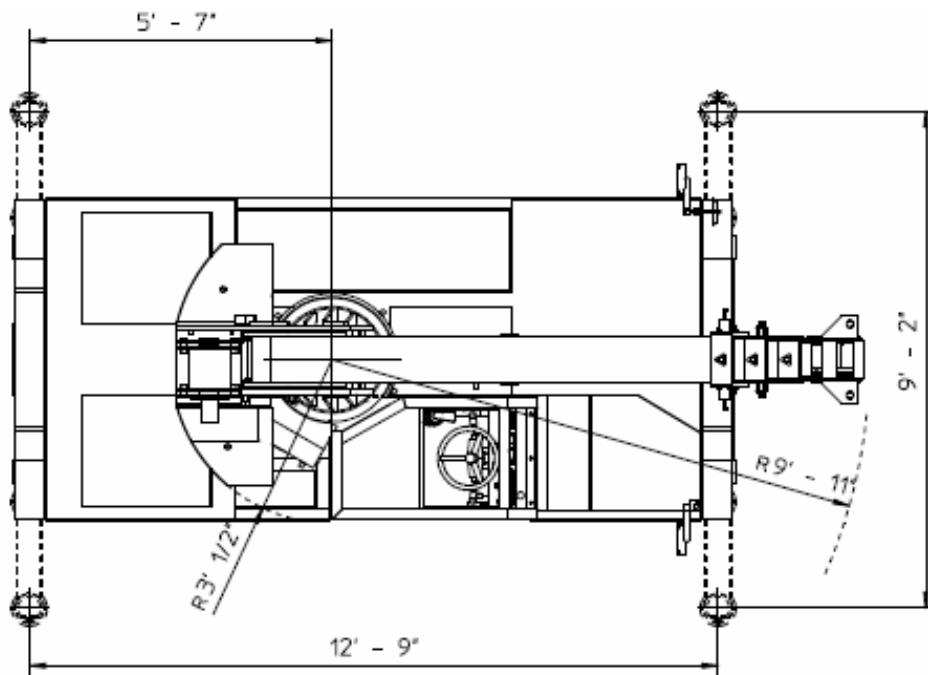
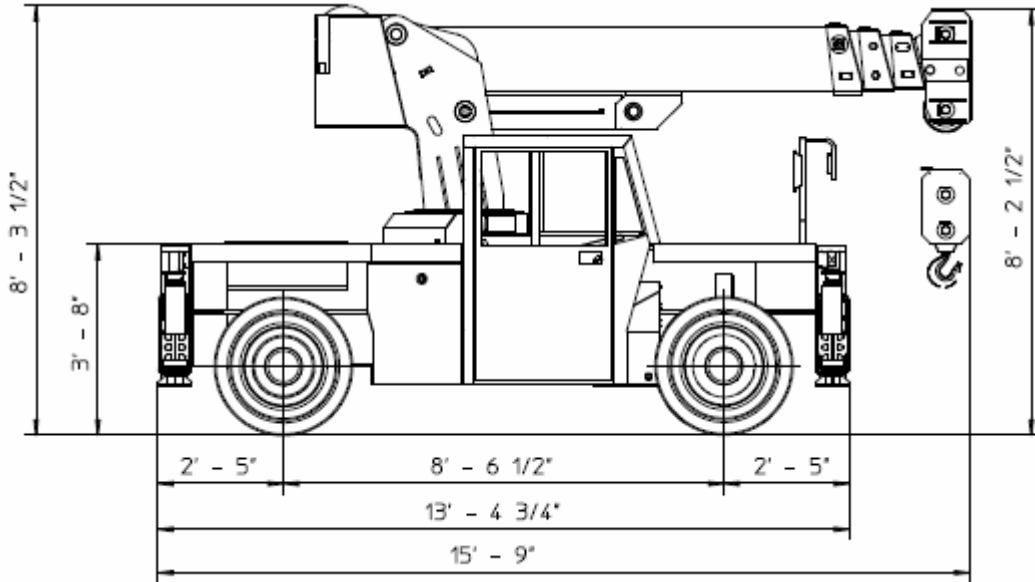
Valla



1725-22 SE



VALLA mobile crane mod. 1725-22 SE
complies with the following standards:
-2006/42/CE
-UNIEN13000
-I.S.P.E.S.L.



Valla a division of CVS Ferrari Srl
Via Piacenza, 45 - 29010 Calendasco (Piacenza) - ITALIA
Tel. +39 0523 762025 / 752004 - Fax +39 0523 760531
e-mail: info@valla.com - www.valla.com

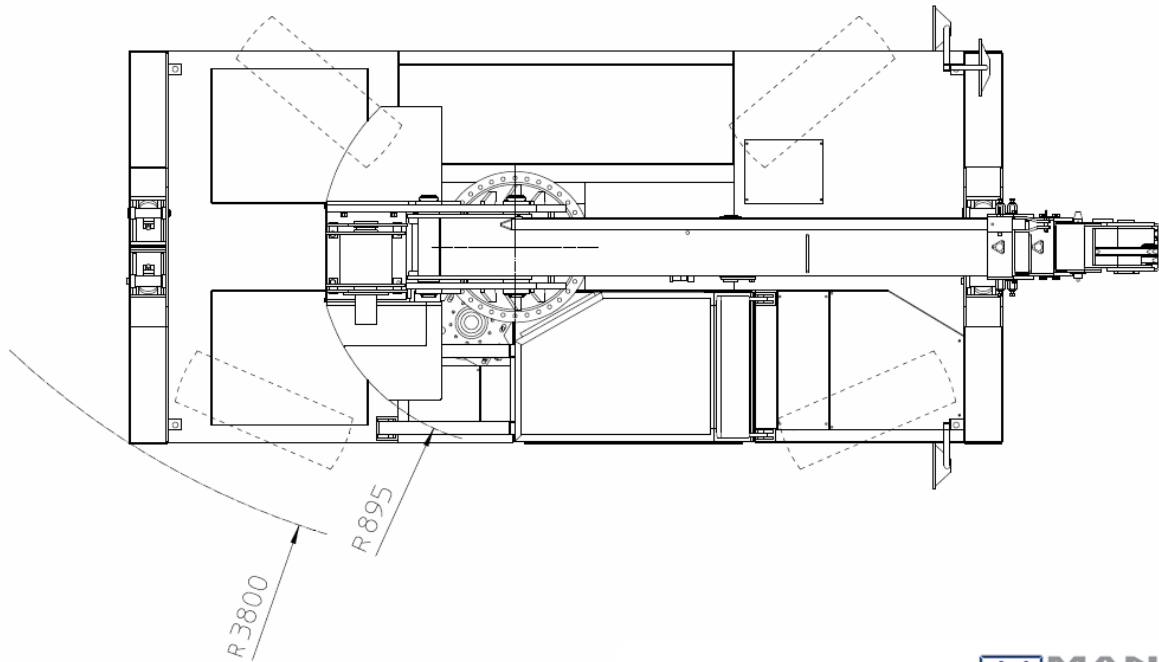
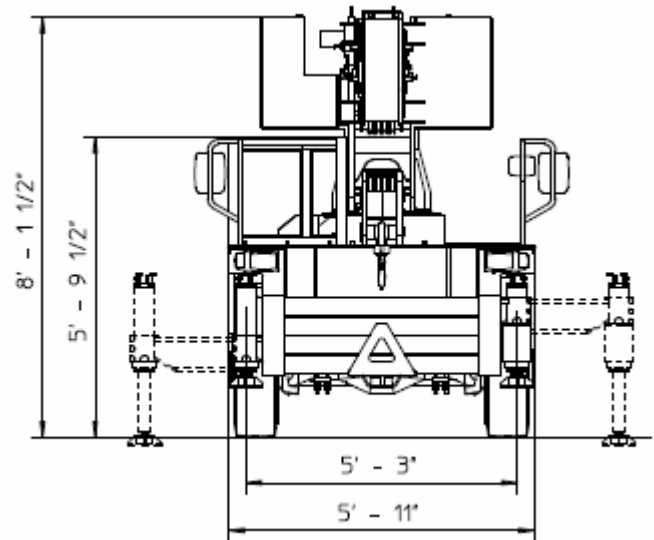
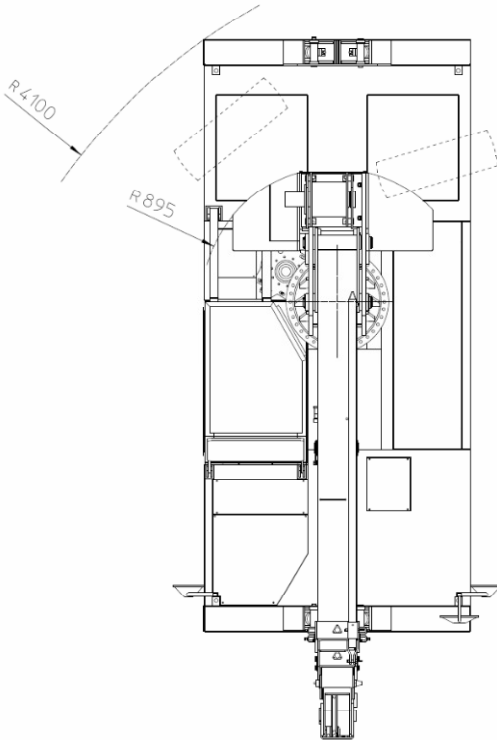
Valla



1725-22 SE



VALLA mobile crane mod. 1725-22 SE
complies with the following standards:
-2006/42/CE
-UNIEN13000
-I.S.P.E.S.L.



Valla a division of CVS Ferrari Srl
Via Piacenza, 45 - 29010 Calendasco (Piacenza) - ITALIA
Tel. +39 0523 762025 / 752004 - Fax +39 0523 760531
e-mail: info@valla.com - www.valla.com

Data subject to be changed without any previous notice. Pictures may differ from technical description.

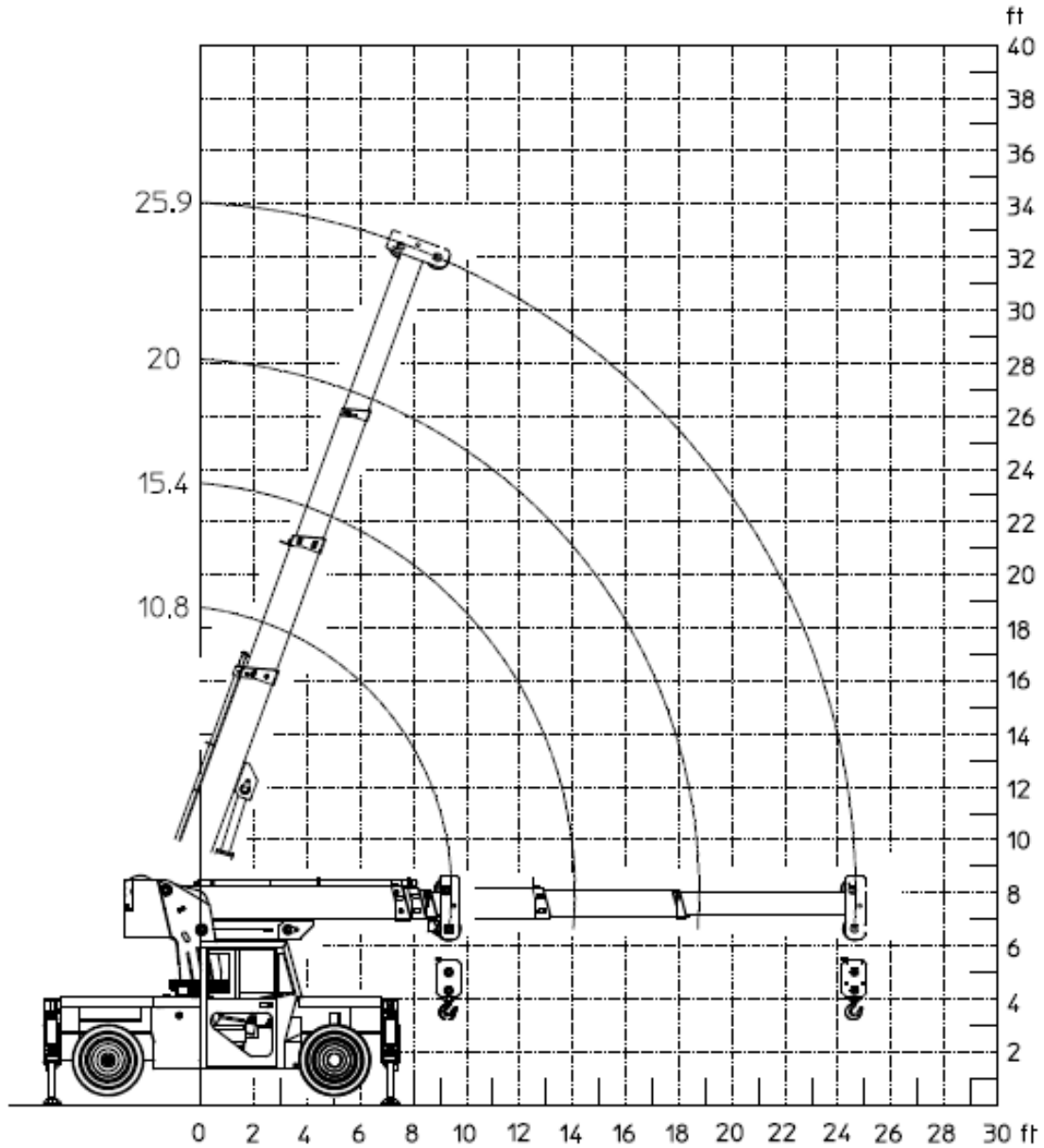
Valla



1725-22 SE



VALLA mobile crane mod. 1725-22 SE
 complies with the following standards:
 -2006/42/CE
 -UNIEN13000
 -I.S.P.E.S.L.



Lbs./ft



Valla a division of CVS Ferrari Srl
 Via Piacenza, 45 - 29010 Calendasco (Piacenza) - ITALIA
 Tel. +39 0523 762025 / 752004 - Fax +39 0523 760531
 e-mail: info@valla.com - www.valla.com

Data subject to be changed without any previous notice. Pictures may differ from technical description.

Valla

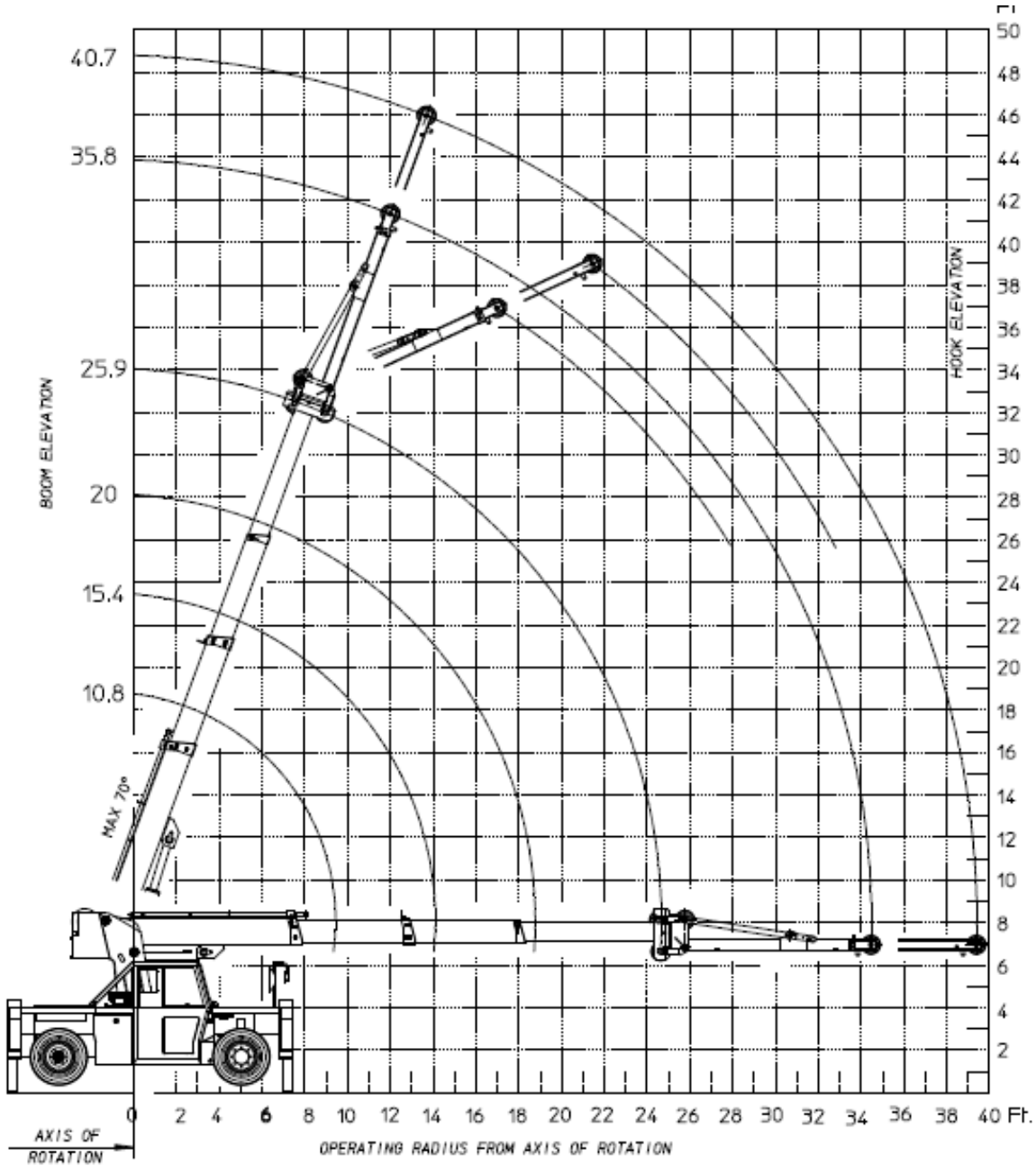


1725-22 SE



VALLA mobile crane mod. 1725-22 SE
 complies with the following standards:
 -2006/42/CE
 -UNIEN13000
 -I.S.P.E.S.L.

Jib 0° – 45°



Lbs./ft



Valla a division of CVS Ferrari Srl
 Via Piacenza, 45 - 29010 Calendasco (Piacenza) - ITALIA
 Tel. +39 0523 762025 / 752004 - Fax +39 0523 760531
 e-mail: info@valla.com - www.valla.com

Data subject to be changed without any previous notice. Pictures may differ from technical description.



1725-22 SE



VALLA mobile crane mod. 1725-22 SE complies with the following standards:
 -2006/42/CE
 -UNIEN13000
 -I.S.P.E.S.L.

VALLA MOBILE CRANE 22SE/SD									
LOAD CHART (Lbs.)									
WORKING RADIUS (ft)	ON OUTRIGGERS						ON RUBBERS		
	360°	ARC OVER FRONT *	WITH JIB 360°				STATIC LOAD OVER FRONT	STATIC LOAD 360°	PICK AND CARY LOAD UP TO 1.9 mph OVER FRONT
			0° CLOSE	45° CLOSE	0° OPEN	45° OPEN			
	Tab.0	Tab.0	Tab.1	Tab.2	Tab.3	Tab.4	Tab.5	Tab.5	Tab.6
6'2"	22.000	22.000					15.400	6.600	15.400
7'55"	14.000	15.400	5.270				13.650	4.850	13.650
9'35"	11.000	11.900	4.950		3.100		10.800	3.300	10.800
11'6"	8.800	9.700	4.900		2.900		7.300	1.550	7.300
14'1"	6.100	7.700	4.100	3.400	2.550		4.850	1.300	4.850
16'3"	4.800	6.600	3.750	3.100	2.300		4.200	1.100	4.200
18'7"	3.600	5.500	3.400	2.800	2.100	1.850	3.300		3.300
20'7"	3.300	5.100	3.100	2.600	2.000	1.800	2.850		2.850
22'6"	2.700	4.400	2.600	2.400	1.900	1.750	2.200		2.200
24'6"	2.500	4.000	2.250	2.200	1.850	1.700	1.750		1.750
26'2"			1.900	2.000	1.600	1.650			
27'8"			1.700	1.800	1.450	1.550			
29'5"			1.500		1.300	1.350			
31'1"			1.300		1.150	1.100			
32'8"			1.100		1.000	1.000			
34'5"			1.000		850				
36'1"					650				
37'7"					550				
39'4"					440				

- Rated loads above do not exceed 80% of tipping loads on outriggers and 75% on rubber.
- Capacities above bold lines are based only on structural strenght of crane.
- Capacities and performances are for crane on firm, level surfaces.
- Pick and carry operation: boom has to be centered overfront, used in the shortest possible lenght, min radius, lowest angle, load close to the ground. Negotiating grades (max 10%) is only permitted WITHOUT LOAD and limited to short distance and time.
- When needed, outriggers must be fully extended.
- When lifting area is not clearly visible by crane's operator, the presence of a second man is mandatory for signaling.
- Never handle a load in the area above cab.