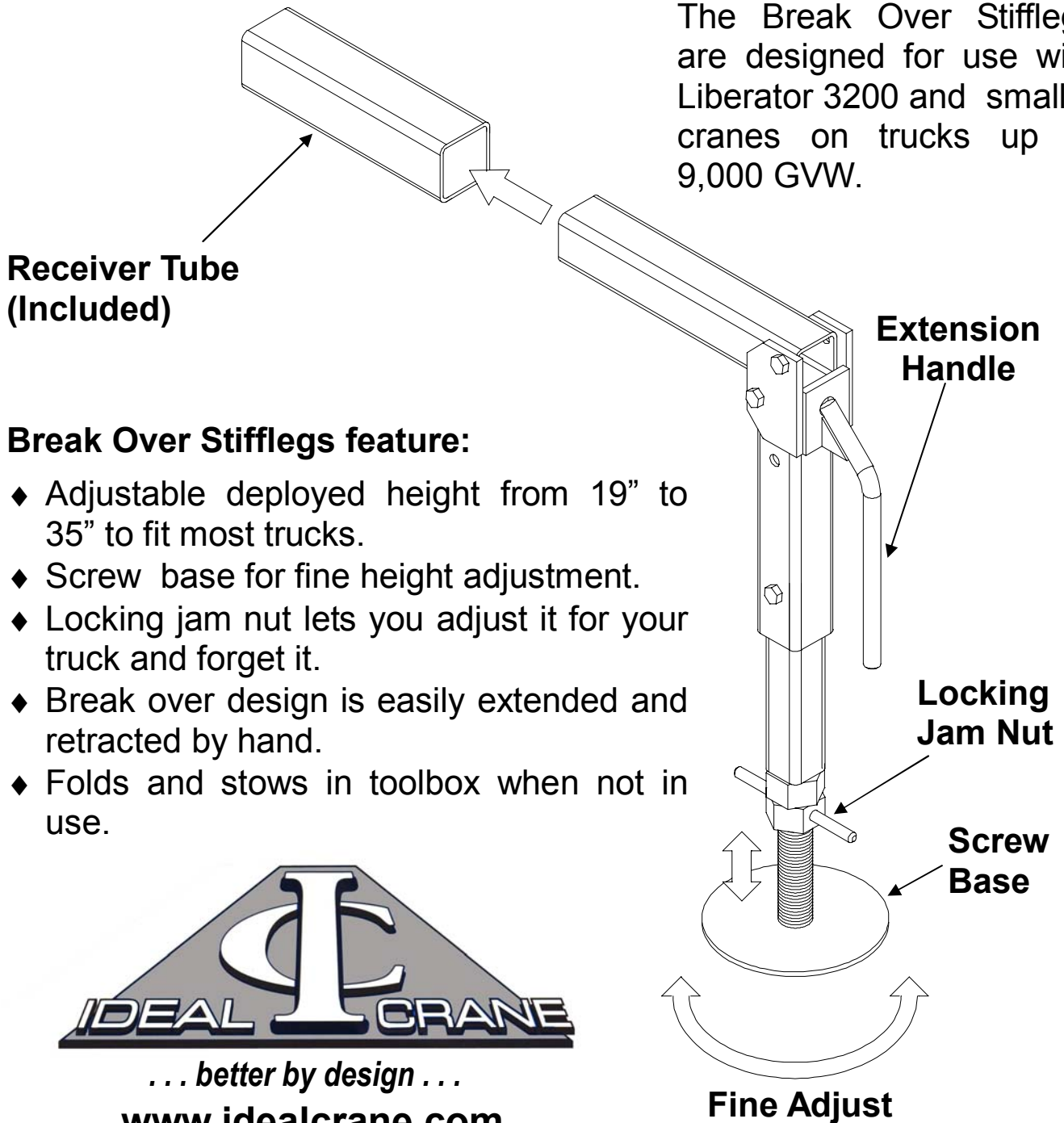


# Ideal Crane Stiffleg Break Over

**PART #900100**

The Break Over Stifflegs are designed for use with Liberator 3200 and smaller cranes on trucks up to 9,000 GVW.



**Receiver Tube  
(Included)**

## **Break Over Stifflegs feature:**

- ◆ Adjustable deployed height from 19" to 35" to fit most trucks.
- ◆ Screw base for fine height adjustment.
- ◆ Locking jam nut lets you adjust it for your truck and forget it.
- ◆ Break over design is easily extended and retracted by hand.
- ◆ Folds and stows in toolbox when not in use.



*... better by design ...*

[www.idealcrane.com](http://www.idealcrane.com)

See reverse side for dimensions.