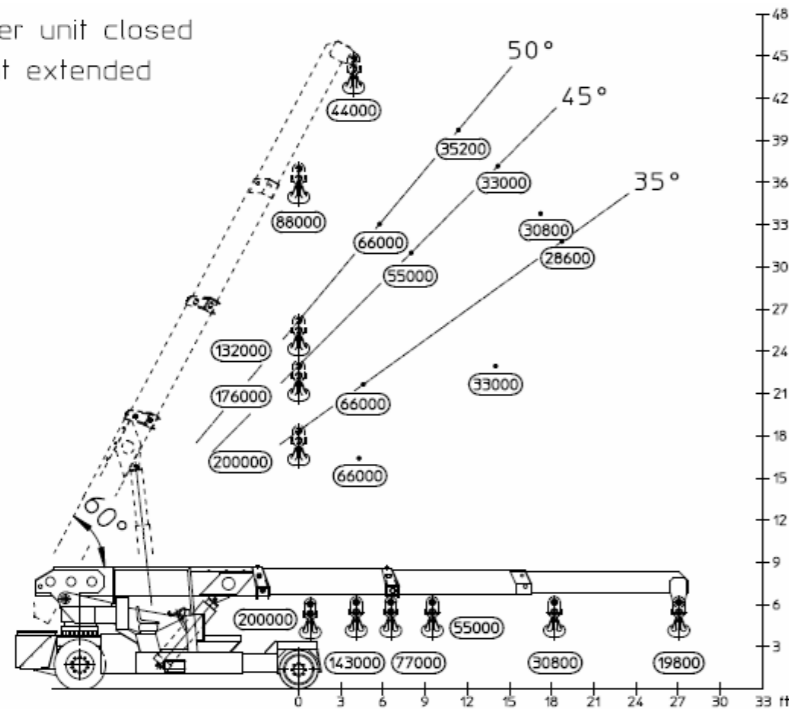
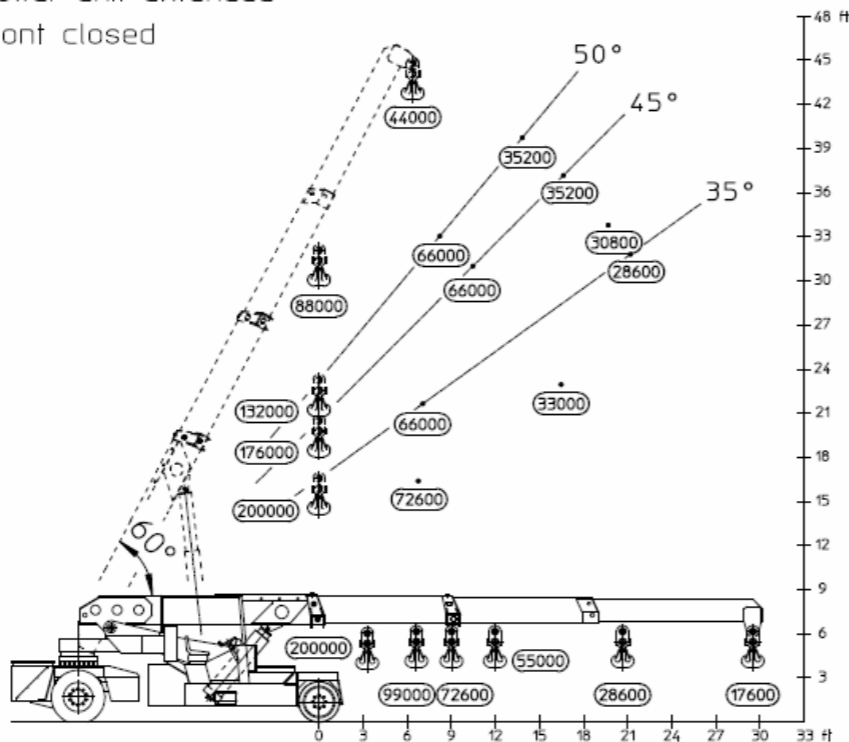


VALLA mobile crane mod. 900E complies with following standards:  
 -2006/42/CE  
 -UNIEN13000  
 -I.S.P.E.S.L.

power unit closed  
front extended



power unit extended  
front closed



Data subject to be changed without any previous notice. Pictures may differ from technical description.



Valla a division of CVS Ferrari Srl  
 Via Piacenza, 45 - 29010 Calendasco (Piacenza) - ITALIA  
 Tel. +39 0523 762025 / 752004 - Fax +39 0523 760531  
 e-mail: info@valla.com - www.valla.com

Lbs./ft

## Electric battery operated Mobile Crane Max. Capacity Lbs. 198,000



### TECHNICAL DATA

**CRANE FRAME:** eight-wheelers frame fabricated from preformed and welded steel plate with built-in counterweight.

**TRANSMISSION:** differential axle with reduction gear between motor and wheels running in oil bath. Travelling speed up to 8 Km/h.

**BATTERY:** 96V 1250Ah battery, battery meter on dashboard.

**BRAKES:** foot hydraulically operated brakes on 6 wheels (4 front and 2 rear wheels). Parking hand brake mechanically operated.

**SUSPENSION:** oscillating rear axle with mechanical lock.

**STEERING:** power steering operated through own hydraulic circuit by a hydraulic cylinder fitted between the articulated power unit and the crane frame allowing 120° steering fitted with safety valves and filters. 6 kW – 96 V motor driven pump.

**WHEELS:** nr. 2 rear superelastic 400/60-15 W section- nr. 6 front wulkollaw 800 x 32 R.15.

**BOOM:** boom fabricated from preformed and welded quality steel plate. Nr.4 telescoping sections: 1 fixed; 3 hydraulically telescoping. Fitted with nylon wear pads adjustable wear pads on the sides.

**BOOM CONTROL:** proportional distributor controlled with joystick. Fitted with filter and safety valves. Motor driven pump 26kW 26V.

**LMI:** electronic Load Moment Indicator. Display showing lifted load, max allowed load, tilting percentage, operating radius, angle, telescope and light indicators on the operative mode.

**TOTAL WEIGHT:** Lbs. 105,600 (Lbs. 72,600 without counterweight)  
**MAX. CAPACITY:** Lbs. 198,000

**Options on request:** hydraulic winch; chain hoists; carry-deck; battery charger (on board and stand-alone); manual and hydraulic jibs; cable remote control; radio remote control; full set of road lights; man bucket and relevant certification as aerial platform; non marking tires.

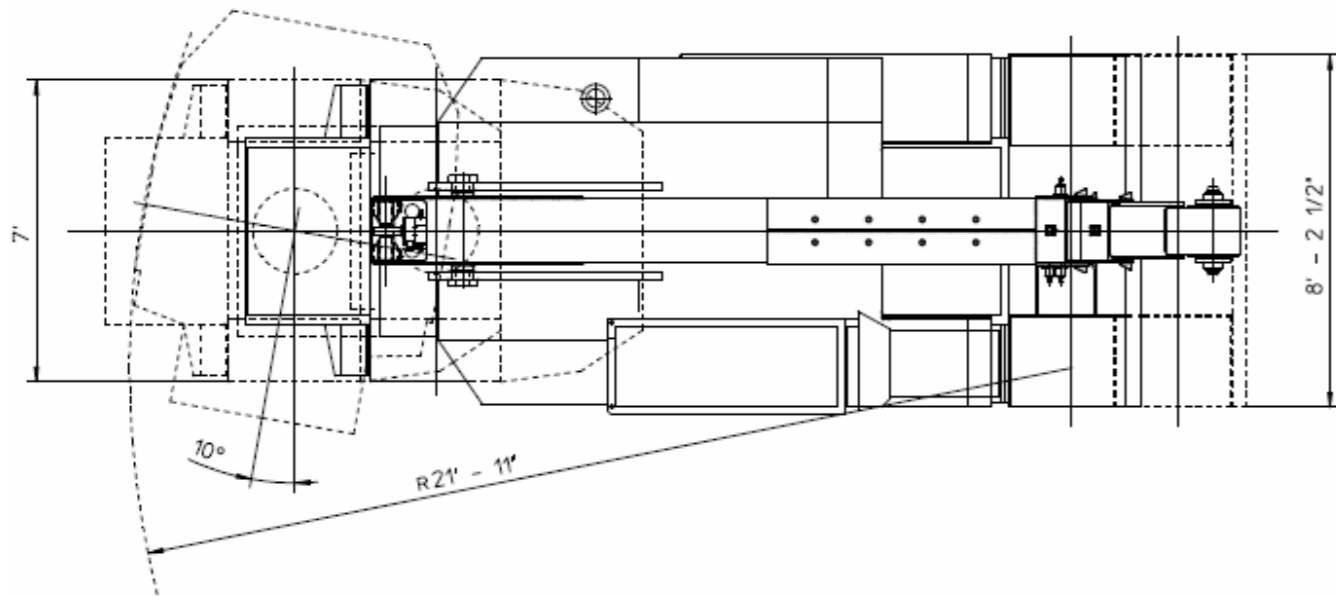
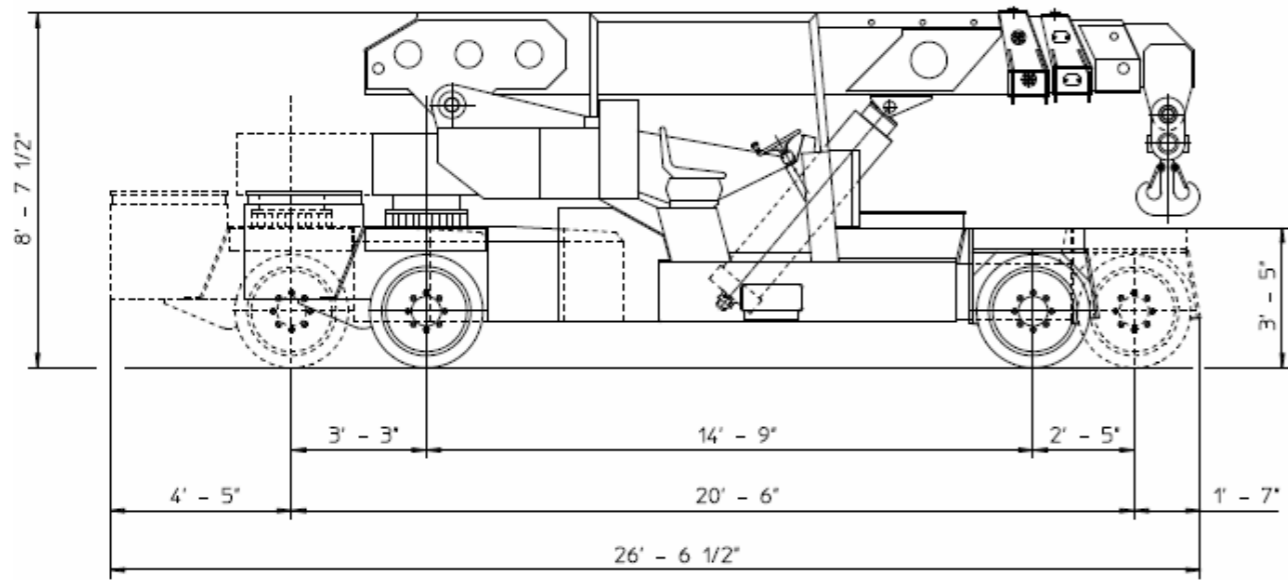
Valla	
FULL CLOSE	
OUTREACH (Ft)	CAPACITY (Lbs.)
9	48,000
18	30,000
29	14,500



Valla	
BACK WIDE	
OUTREACH (Ft)	CAPACITY (Lbs.)
9	72,000
18	35,000
29	17,500

Data subject to be changed without any previous notice. Pictures may differ from technical description.

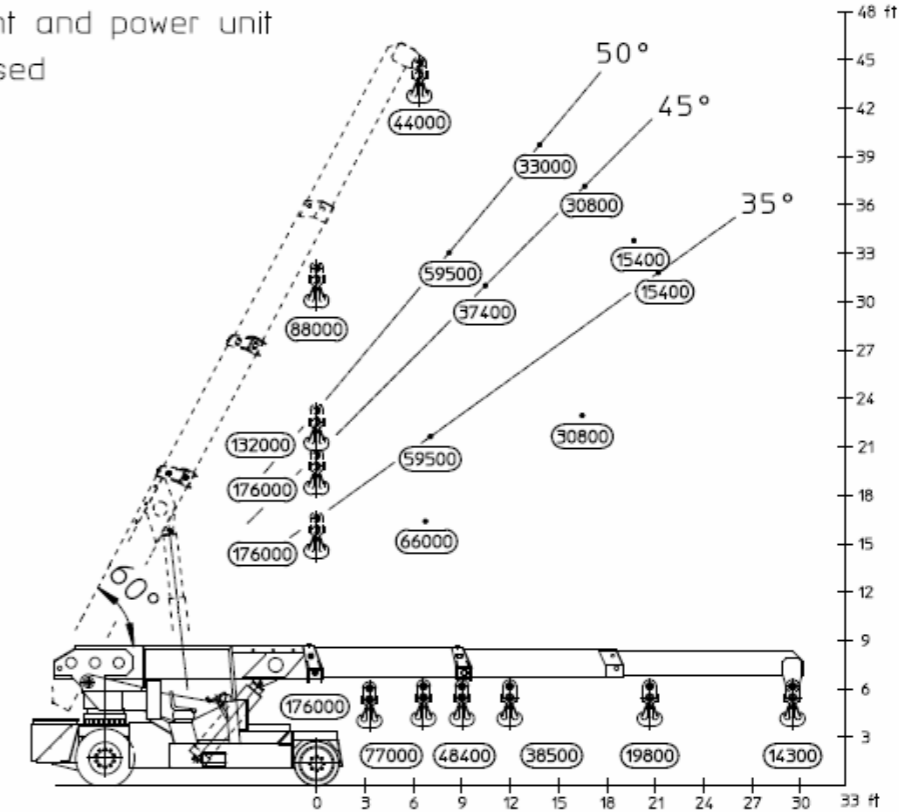
VALLA mobile crane mod. 900E  
 complies with following standars:  
 -2006/42/CE  
 -UNIEN13000  
 -I.S.P.E.S.L.



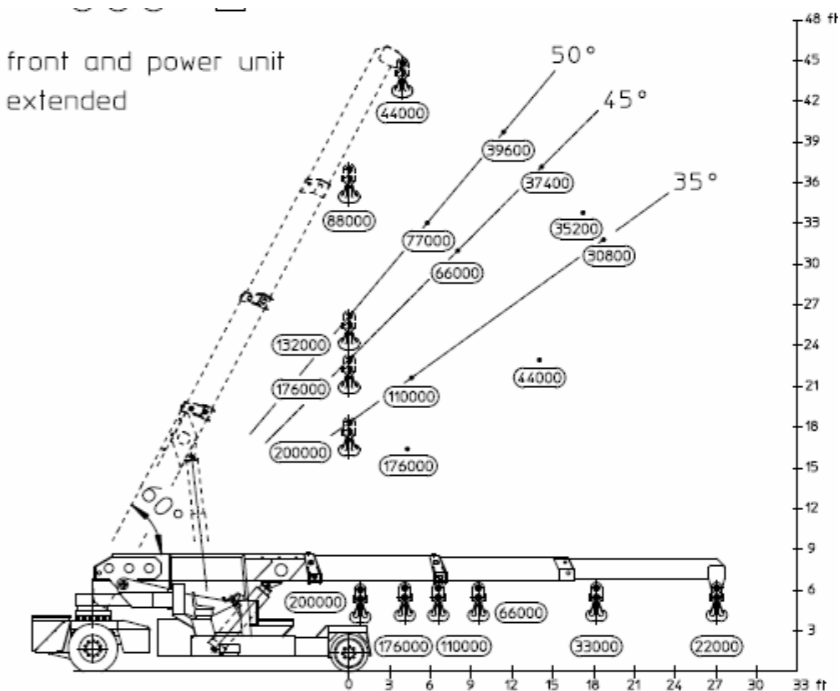
Data subject to be changed without any previous notice. Pictures may differ form technical description.

VALLA mobile crane mod. 900E  
 complies with following standard:  
 -2006/42/CE  
 -UNIEN13000  
 -I.S.P.E.S.L.

front and power unit  
 closed



front and power unit  
 extended



Lbs./ft

Data subject to be changed without any previous notice. Pictures may differ form technical description.