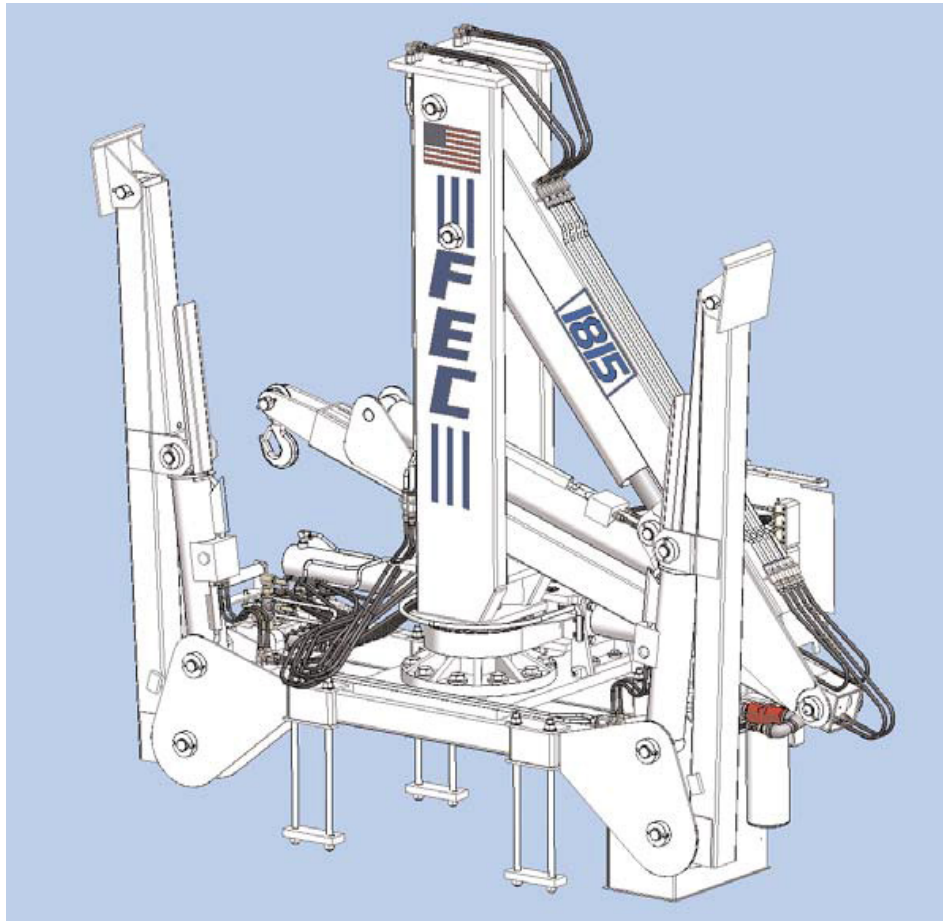


# Model 1815 Crane



- FEC's model 1815 tire service crane offers fold out style outriggers for extra stability
  - Rack/chain and pinion rotation system with superior durability
  - Load holding valves on all lift cylinders, chrome plated cylinder rods and walls.
  - Heavy duty PTO and hydraulic pump.
- Center mounted crane offers better weight distribution on chassis suspension system.
  - Optional Radio remote control system with manual lever back up is available.

---

## 28,000 ft. lbs. Rating

Crane Capacity Rating: 3,500 lbs.

Maximum Reach: 14'-9"

Crane Weight: 1,833 lbs.

Chassis RBM Required: 350,000 in.