

RATED LIFTING CAPACITIES (POUNDS) 14,330 LBS COUNTERWEIGHT

40 FT - 125 FT 4-SECTION BOOM ON OUTRIGGERS FULLY EXTENDED - 360°

Radius in feet	Main boom length in feet (fourth section fully retracted)							Fourth section fully extended
	40	45	55	65	75	85	96	
10	155000	89000	88400	84300				
12	115500	89000	88400	78800	70600			
15	94000	89000	81000	72300	62900	57600	36300	
20	71800	71800	69500	60200	53900	48400	36300	30800
25	55000	54900	54800	53800	46700	41000	36300	30800
30		43500	43400	43400	41100	36300	33100	27600
35		33200	33100	33000	33000	31600	28900	24800
40			26000	25900	25900	25900	25800	22400
50				16900	16900	16800	16800	17400
60					11300	11200	11200	13400
70						7500	7400	9500
80							4800	6800
90								4800
100								3200
110								2000

40 FT - 55 FT MAIN BOOM ON RUBBER CAPACITIES OVER REAR ONLY

Radius in feet	Up to 1 mph	Up to 3 mph
10	37400	29100
12	29300	25500
15	21400	21200
20	13700	13700
25	9200	9200
30	6200	6200
35	4100	4100
40	2600	2600

32 FT FIXED LENGTH BOOM EXTENSION ON OUTRIGGERS - 360°

Radius in feet	32ft Swingaway		
	0° Offset	15° Offset	30° Offset
25	18900		
30	18700	16200	
35	18500	15400	
40	18200	14700	11700
45	17900	14000	11300
50	16900	13400	11000
55	15700	12900	10600
60	14000	12400	10300
65	11800	11900	10100
70	10000	10900	9800
80	7200	7900	8500
90	5100	5700	6100
100	3500	3900	4300
110	2200	2600	2800
120		1400	1600

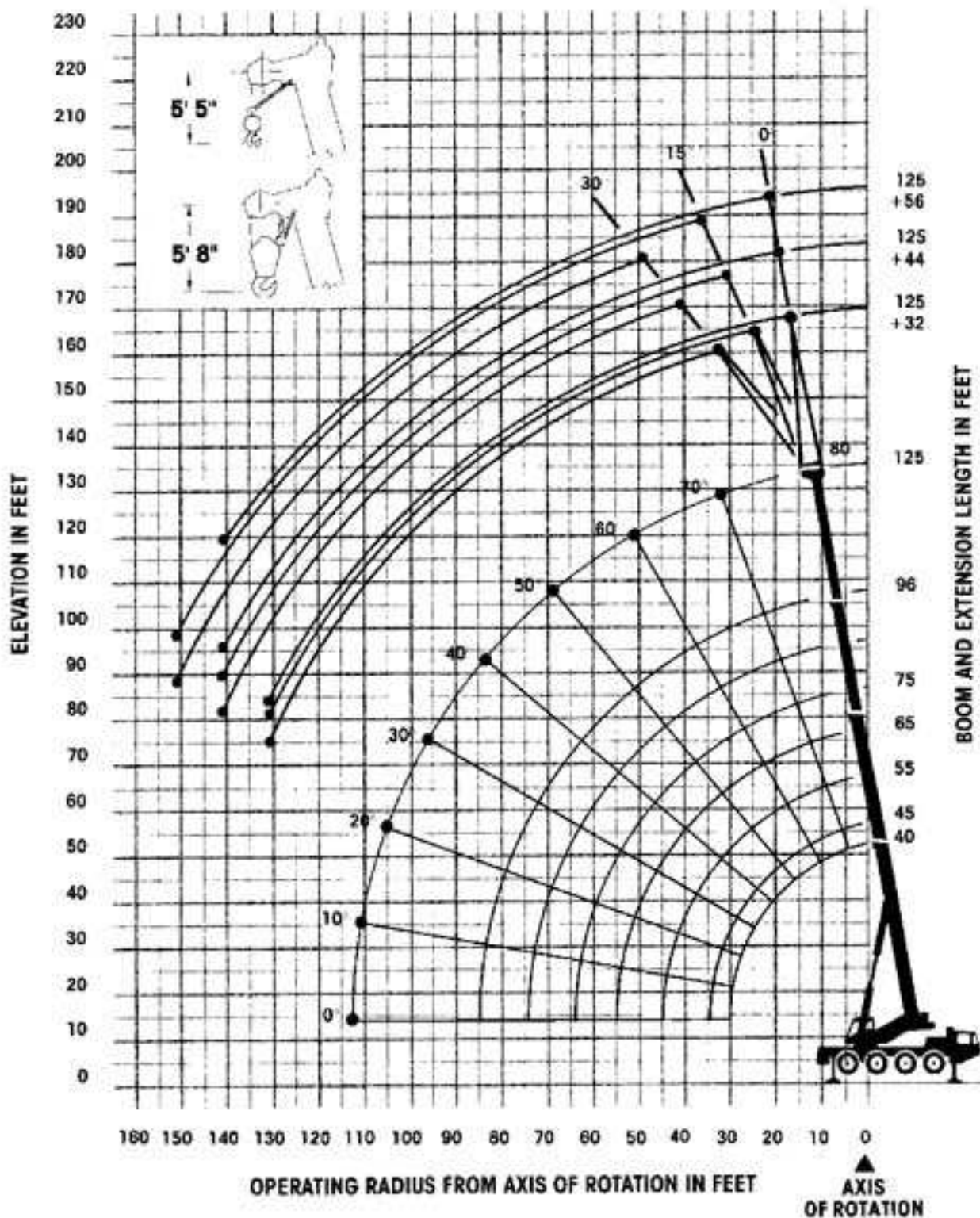


GROVE[®]
worldwide

AT880

85% DOMESTIC/40FT-125FT BOOM

RANGE DIAGRAM (UNLADEN BOOM)



RATED LIFTING CAPACITIES (POUNDS) 26,900 LBS COUNTERWEIGHT

40 FT - 125 FT 4-SECTION BOOM ON OUTRIGGERS FULLY EXTENDED - 360°

Radius in feet	Main boom length in feet (fourth section retracted)							Fourth section fully extended
	40	45	55	65	75	85	96	
10	160000	89000	88400	84300				
12	115500	89000	88400	78800	70600			
15	98400	89000	81000	72300	62900	57600	36300	
20	76600	76600	69500	60200	53900	48400	36300	30800
25	61000	61000	59100	53800	46700	41000	36300	30800
30		48600	48600	46400	41100	36300	33100	27600
35		39400	39400	39400	35600	31600	28900	24800
40			32900	32900	32000	28200	25900	22400
50				22200	22300	22300	20500	17400
60					15700	15700	15700	13800
70						11300	11400	11300
80							8200	8500
90								7400
100								5900
110								4300

40 FT - 65 FT MAIN BOOM ON RUBBER CAPACITIES OVER REAR ONLY

32 FT FIXED LENGTH BOOM EXTENSION ON OUTRIGGERS - 360°

Radius in feet	Up to 1 mph	Up to 3 mph
10	46700	29100
12	37000	25500
15	27500	21200
20	18200	15800
25	12700	11800
30	9200	8800
35	6600	6400
40	4800	4500
50	2200	

Radius in feet	32ft Swingaway		
	0° Offset	15° Offset	30° Offset
25	20600		
30	19900	16200	
35	19700	15400	
40	19100	14700	11700
45	18000	14000	11300
50	16900	13400	11000
55	15700	12900	10600
60	14300	12400	10300
65	13000	11900	10100
70	12000	11400	9800
80	10500	10400	9300
90	8100	8600	8600
100	6000	6500	6900
110	4300	4700	5000
120	3100	3400	3500
130	2000	2200	2300

32 FT - 56 FT TELE BOOM EXTENSION ON OUTRIGGERS - 360°

Radius in feet	32ft Swingaway			44ft Swingaway			56ft Swingaway		
	0° Offset	15° Offset	30° Offset	0° Offset	15° Offset	30° Offset	0° Offset	15° Offset	30° Offset
25	20000								
30	19300	15600		14800					
35	19100	14800		13400			10800		
40	18500	14100	11100	12300	10500	7900 @	10700		
45	17400	13400	10700	11600	10000	47'0"	10400	8100	
50	16300	12800	10400	11100	9500	7700	9800	7700	
55	15100	12300	10000	10700	9100	7400	9300	7300	6000
60	13700	11800	9700	10300	8700	7200	8800	7000	5600
65	12400	11300	9500	10000	8400	6900	8300	6700	5500
70	11400	10800	9200	9700	8000	6800	7900	6500	5300
80	9600	9800	8700	8900	7500	6400	7200	6000	5100
90	7000	7500	8000	8100	7000	6100	6600	5600	4800
100	5100	5700	5900	6500	6500	5900	6100	5200	4600
110	3600	3900	4200	4800	5300	5600	5600	5000	4400
120	2400	2500	2700	3600	4000	4300	3900	4700	4200
130	1400	1400	1500	2500	2600	2700	2800	3400	4000
140				1600	1600	1600	1800	2600	2700
150								1700	1700

RATED LIFTING CAPACITIES (POUNDS) 23,800 LBS COUNTERWEIGHT

40 FT - 125 FT 4-SECTION BOOM ON OUTRIGGERS FULLY EXTENDED - 360°

Radius in feet	Main boom length in feet (fourth section retracted)							Fourth section fully extended
	40	45	55	65	75	85	96	
10	160000	89000	88400	84300				
12	115500	89000	88400	78800	70600			
15	97600	89000	81000	72300	62900	57600	36300	
20	75900	75900	69500	60200	53900	48400	36300	30800
25	59700	59700	59100	53800	46700	41000	36300	30800
30		47500	47500	46400	41100	36300	33100	27600
35		38700	38700	38700	35600	31600	28900	24800
40			31400	31400	31400	28200	25900	22400
50				21000	21000	21000	20500	17400
60					14800	14800	14800	13800
70						10500	10500	11300
80							7400	8500
90								7100
100								5300
110								3800

40 FT - 65 FT MAIN BOOM ON RUBBER CAPACITIES OVER REAR ONLY

Radius in feet	Up to 1 mph	Up to 3 mph
10	45400	29100
12	35500	25500
15	26150	21200
20	16900	15800
25	11800	11800
30	8500	8500
35	6000	6000
40	4300	4300
45	2800	2800

32 FT FIXED LENGTH BOOM EXTENSION ON OUTRIGGERS - 360°

Radius in feet	32ft Swingaway		
	0° Offset	15° Offset	30° Offset
25	20600		
30	19900	16200	
35	19700	15400	
40	19100	14700	11700
45	18000	14000	11300
50	16900	13400	11000
55	15700	12900	10600
60	14300	12400	10300
65	13000	11900	10100
70	12000	11400	9800
80	9800	10400	9300
90	7100	8000	8600
100	5200	5900	6200
110	3700	4100	4300
120	2500	2900	3000
130	1500	1700	1800

32 FT - 56 FT TELE BOOM EXTENSION ON OUTRIGGERS - 360°

Radius in feet	32ft Swingaway			44ft Swingaway			56ft Swingaway		
	0° Offset	15° Offset	30° Offset	0° Offset	15° Offset	30° Offset	0° Offset	15° Offset	30° Offset
25	20000								
30	19300	15600		14800					
35	19100	14800		13400			10800		
40	18500	14100	11100	12300	10500	7900 @	10700		
45	17400	13400	10700	11600	10000	47'0"	10400	8100	
50	16300	12800	10400	11100	9500	7700	9800	7700	
55	15100	12300	10000	10700	9100	7400	9300	7300	6000
60	13700	11800	9700	10300	8700	7200	8800	7000	5600
65	12400	11300	9500	10000	8400	6900	8300	6700	5500
70	11400	10800	9200	9700	8000	6800	7900	6500	5300
80	9100	9800	8700	8900	7500	6400	7200	6000	5100
90	6400	7300	7800	7700	7000	6100	6600	5600	4800
100	4800	5000	5800	5630	5800	5900	6100	5200	4600
110	3100	3300	3700	3780	4300	5110	4900	4650	4400
120	1900	2100	2300	2360	2920	3850	3360	3880	3950
130				1190	1750	2200	2100	2940	3250



AT880

All-terrain hydraulic crane

- Capacity 70 tonnes (77 tons)
- Maximum on-board tip height 58 metres (190 ft)
- 8 x 6 wheel drive with eight wheel steer
- Maximum speed 70 kph (43.5 mph)
- Optional *telescopic Swingaway 9.8 – 13.4 – 17.1 metres (32 ft – 44 ft – 56 ft). Offsettable at 0°, 15° or 30°



RATED LIFTING CAPACITIES (POUNDS) ZERO COUNTERWEIGHT

40 FT - 125 FT 4-SECTION BOOM ON OUTRIGGERS FULLY EXTENDED - 360°

Radius in feet	Main boom length in feet (fourth section fully retracted)							Fourth section fully extended
	40	45	55	65	75	85	96	
10	145000	89000	88400	84300				
12	115500	89000	88400	78800	70600			
15	91400	89000	81000	72300	62900	57600	36300	
20	65300	65300	65300	60200	53900	48400	36300	30800
25	47000	47200	47200	47300	46700	41000	36300	30800
30		33300	33400	33400	33400	33500	33100	27600
35		24000	24300	24400	24400	24500	24500	24800
40			18200	18200	18300	18300	18300	20900
50				10700	10700	10600	10600	13100
60					6300	6300	6300	8500
70						3400	3400	5500
80							1300	3400
90								1700

40 FT - 45 FT MAIN BOOM ON RUBBER CAPACITIES OVER REAR ONLY

Radius in feet	Up to 1 mph	Up to 3 mph
10	26700	26700
12	20500	20500
15	14500	14500
20	8600	8600
25	5100	5100
30	2800	2800

32 FT FIXED LENGTH BOOM EXTENSION ON OUTRIGGERS - 360°

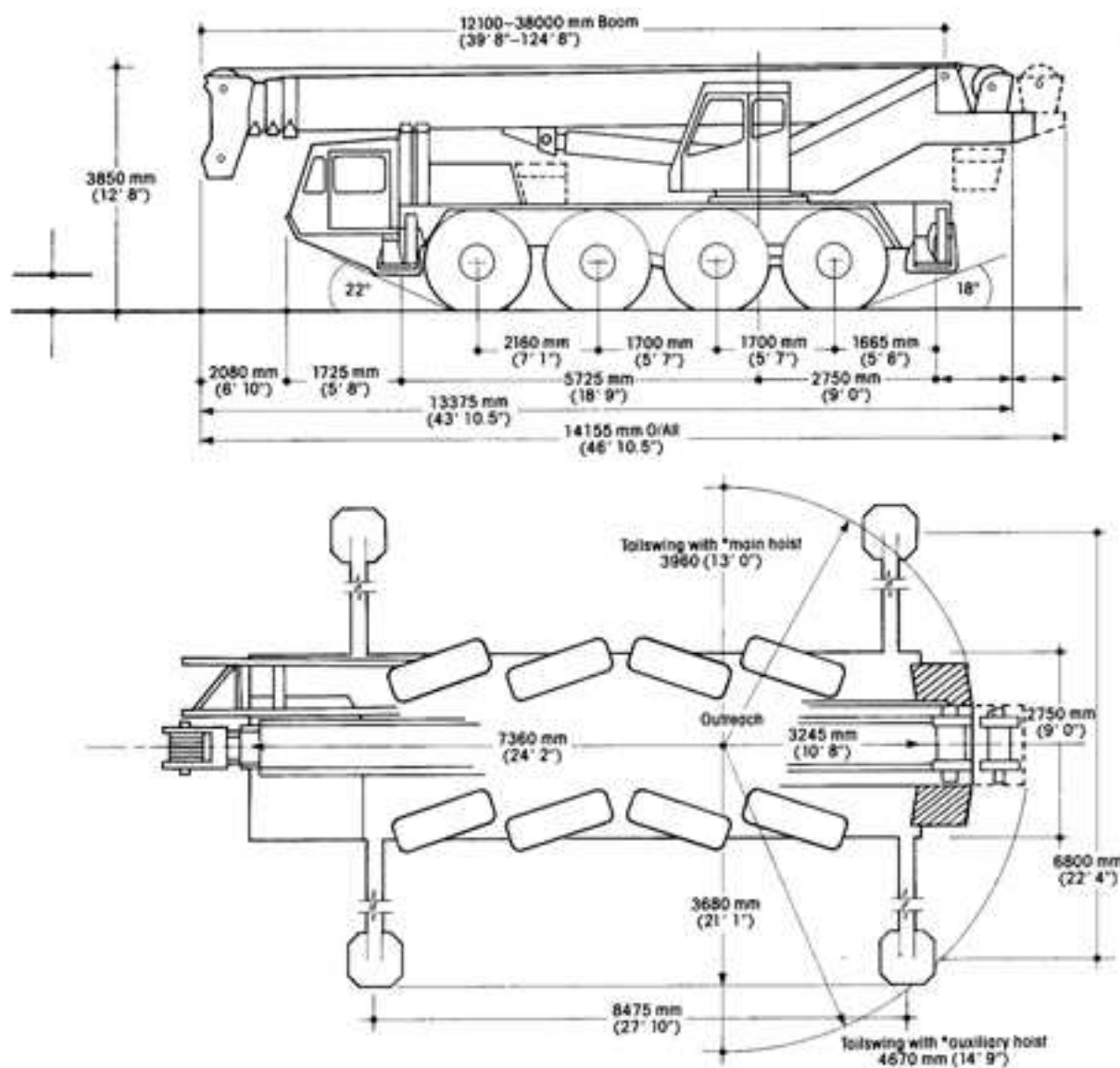
Radius in feet	32ft Swingaway		
	0' Offset	15' Offset	30' Offset
25	18400		
30	17700	16200	
35	17400	15400	
40	17000	14700	11700
45	15800	14000	11300
50	13400	13400	11000
55	10800	12100	10600
60	8800	9800	10300
65	7100	8000	8900
70	5700	6600	7300
80	3500	4200	4800
90	1900	2500	2900
100		1100	1400

WEIGHT REDUCTIONS FOR LOAD HANDLING DEVICES

Hookblocks	
80 Tons, 7 sheave	2535 lbs
35 Tons, 4 sheave	1036 lbs
20 Tons, 1 sheave	529 lbs
5 Tons, Headache ball	220 lbs
32ft Swingaway	
Stowed	772 lbs
Erected	3968 lbs
32ft - 56ft Telescopic Swingaway	
Stowed	1323 lbs
Erected (retracted)	5952 lbs
Erected (extended)	7395 lbs
Auxiliary boom nose	220 lbs

32 FT - 56 FT TELE BOOM EXTENSION ON OUTRIGGERS - 360°

Radius in feet	32ft Swingaway			44ft Swingaway			56ft Swingaway		
	0' Offset	15' Offset	30' Offset	0' Offset	15' Offset	30' Offset	0' Offset	15' Offset	30' Offset
25	17800								
30	17100	15600		14800					
35	16800	14800		13400			10800		
40	16400	14100	11100	12300	10500	7900 @	10700		
45	15200	13400	10700	11600	10000	47' 0"	10400	8100	
50	12900	12800	10400	11100	9500	7700	9800	7700	
55	10300	11600	10000	10700	9100	7400	9300	7300	6000
60	8300	9400	9700	9300	8700	7200	8800	7000	5800
65	6800	7600	8400	7600	8400	6900	8300	6700	5500
70	5200	6100	6800	6200	7500	6800	6900	6500	5300
80	2800	3500	4100	4000	5100	5800	4500	6000	5100
90	1200	1700	2200	2300	3200	3600	2800	4100	4800
100					1800	2200	1500	2500	3300
110							1300	2000	



Dimensions refer to machine with standard tyres

Europe, Africa, Middle East, Indian Sub-continent
Grove

Bicester, Oxfordshire, England OX6 0TZ

Telephone: Bicester (0869) 246800

Telex: 837447 CRANES G

Fax: Bicester (0869) 246965

North and South America, Far East, Australasia
Grove

Shady Grove, Pennsylvania PA17256, USA

Telephone: (717) 597-8121

Telex: 842308

Fax: (717) 597-4062

Constant improvement and engineering progress make it necessary that the company reserves the right to make specification, equipment and price changes without notice. Illustrations shown may include optional equipment and accessories and may not include all standard equipment. Optional equipment is designated by (*) in specifications folder.

Grove Coles Limited, Registered in England. No 1845138 Registered Office: Crown Works, Sunderland, England S64 6TT