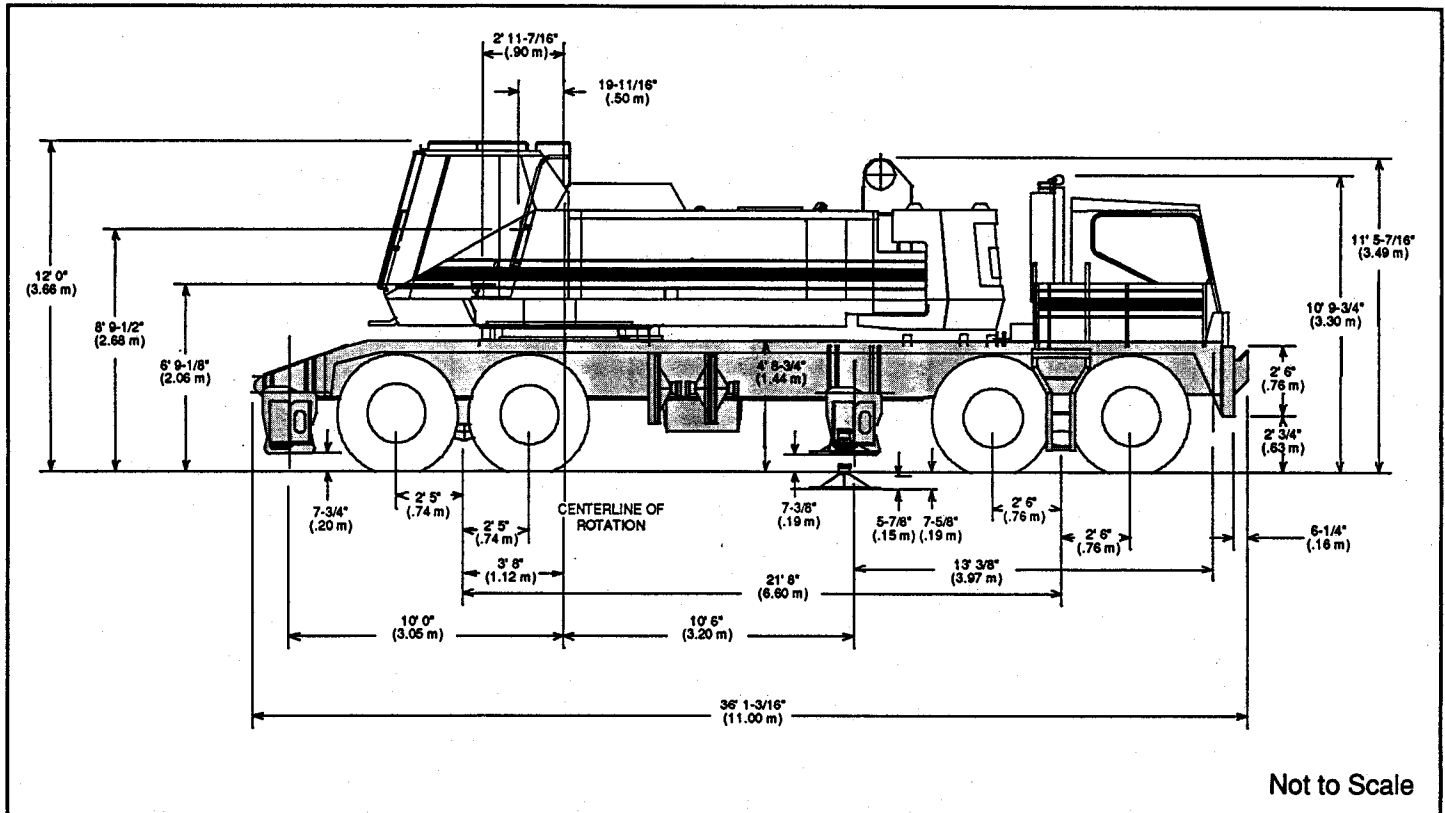


Specifications

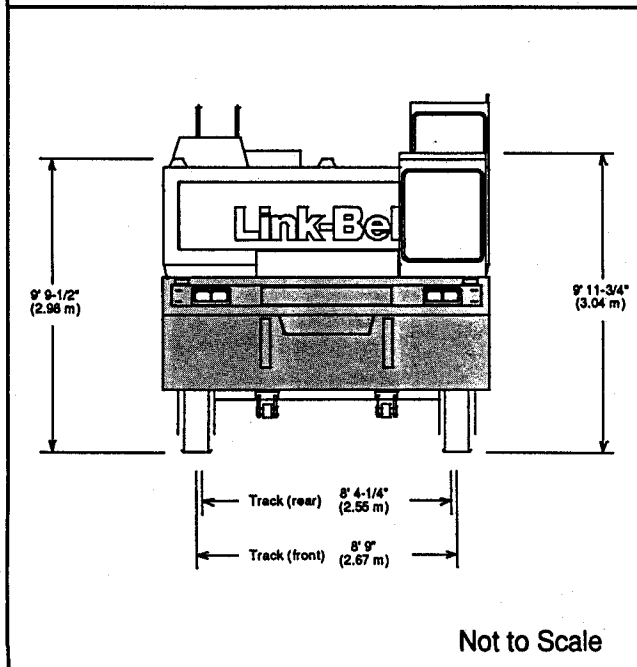
Lattice Boom Truck Crane

HC-228H

125 Ton (113 metric ton)



Not to Scale



Not to Scale

General dimensions	feet	meters
Overall width, outriggers extended, (over floats)	23' 6"	7.16
Overall width, outriggers extended, (C/L of jacks)	21' 0"	6.40
Overall width, outriggers retracted	11' 0"	3.35
Vehicle clearance circle over outside of front bumper	104' 2"	31.73
Vehicle clearance circle over outside of front bumper counterweight	105' 10"	32.25
Minimum ground clearance (at bottom of front bogie beams)	11"	.28
Counterweight tailswing (at corners)	15' 11"	4.85
Overall cab width (upper)	11' 0"	3.35
Radius of boom hinge pin	35'-7/16"	.90
Height of boom hinge pin	6' 9"	1.98
Ground clearance under counterweight	5' 2"	1.58

GENERAL INFORMATION ONLY

Axle Loads — Calculated

Based on standard HC-228H revolving upperstructure equipped with Isuzu engine, power load lowering on front and rear load hoist drums, no counterweight, mounted on 260" (6.60 m) wheelbase, 8x4 drive carrier, 11' 0" (3.35 m) wide, equipped with DD 8V-92 TAC DDEC diesel engine, front center hydraulic jack, and full fuel.	Basic Machine Gross Weight		Upper facing front				Upper facing rear				
	**	lbs.	kg	lbs.	kg	lbs.	kg	lbs.	kg	lbs.	kg
	A	34,340	15 577	-510	-231	34,850	15 808	12,130	5 502	22,210	10 074
B	42,430	19 246	20,745	9 410	21,685	9 836	20,745	9 410	21,685	9 836	
C	76,770	34 823	20,235	9 179	56,535	25 644	32,875	14 912	43,895	19 911	
Adjust axle weights for adding following components	Component Weights		Front axle		Rear axle		Front axle		Rear axle		
	lbs.	kg	lbs.	kg	lbs.	kg	lbs.	kg	lbs.	kg	
Upperstructure —											
Add for boomhoist rope and live mast :											
folded to rear of upper	5,590	2 536	-2,455	1 114	8,045	3 649	4,345	1 971	1,245	565	
-or-	-or-	-or-	-or-	-or-	-or-	-or-	-or-	-or-	-or-	-or-	
folded forward of boomfoot	5,590	2 536	3,470	1 574	2,120	962	-1,575	-714	7,165	3 250	
Rear drum wire rope —1,000' (305 m) of 1" (25 mm) Type "P"	770	349	-115	-52	885	401	375	170	395	179	
Front drum wire rope —1,000' (305 m) of 1-1/8" (29 mm) Type "N"	1,350	612	50	23	1,300	590	410	186	940	426	
Counterweight "A"	23,000	10 433	-10,580	-4 809	33,580	15 232	18,365	8 330	4,635	2 102	
-or-	-or-	-or-	-or-	-or-	-or-	-or-	-or-	-or-	-or-	-or-	
Counterweight "AB"	42,330	19 201	20,635	9 360	62,965	28 561	34,960	15 858	7,370	3 343	
Carrier—											
Front outrigger box, beams and jacks	7,600	3 447	4,970	2 254	2,630	1 193	4,970	2 254	2,630	1 193	
Rear outrigger box, beams and jacks	7,600	3 447	-2,220	-1 007	9,820	4 454	-2,220	-1 007	9,820	4 454	
Hydraulic pin pullers	430	195	80	36	350	159	80	36	350	159	
5 jack floats	810	368	315	143	495	225	315	143	495	225	
Bumper counterweight "A"	13,500	6 124	17,810	8 079	-4,310	-1 955	17,810	8 079	-4,310	-1 955	
Cummins N14-460E diesel engine	n/a	n/a	n/a	n/a	n/a	n/a	n/a	n/a	n/a	n/a	
Attachment—											
20' (6.10 m) tubular boom base section with hydraulic boomfoot pins — horizontal	3,380	1 533	-	-	-	-	-1,465	-665	4,845	2 198	

** A—Upper, B—Carrier C—Total

GENERAL INFORMATION ONLY

Carrier

■ Type

260" (6.60 m) wheelbase, 8 x 4 drive.
11' 0" (3.35 m) wide.

Frame — Main members heat treated alloy steel, triple-box construction. Machined mounting surface for turntable bearing. Towing shackles front and rear.

Turntable bearing — Inner race, with integral internal tooth swing (ring) gear, bolted to machined surface on carrier deck.

■ Outriggers

Full width, double box, front and rear pin connected to carrier frame. Hydraulically operated beams and jack cylinders individually controlled from each side of carrier. Hydraulic power supplied by belt-driven hydraulic pump. Check valve at each jack cylinder.

Optional - Hydraulic outrigger box pin puller.

Front center hydraulic jack with float

Standard- Single hydraulic jack, with float, mounted at front of the carrier. Jack/float assembly required for handling 360° swing ed capacities.

Floats — Low profile, alloy steel; 30" (0.76 m) square base.

Trailer hitch — *Optional* - Includes air and electric connections at rear of carrier for trailer lights and air brakes.

■ Axles

Front- Tubular; bogie beam mounted tandem axles, single wheels. 105" (2.67 m) track.

Rear- Planetary type, bogie mounted tandem axles, dual wheels. 100" (2.54 m) track.

Suspension — Hendrickson rubber bushed front and bronze bushed rear equalizer beams with rubber bushed torque rods.

Wheels and rims — Front; disc-type. Rear, integral with planetary hubs.

Tag axle — *Optional* - Consult factory.

■ Tires

Single tires on front axles, dual tires on rear axles.

Standard - Front - 14.0 x24J (18-ply rating) transport type tread.

Rear - 14.0 x24L (20-ply rating) transport type tread.

Optional - Consult factory.

■ Brakes

Air brake system

Service — Dual circuit with modulated emergency brakes. Bendix dual circuit 8 wheel air brakes with service chambers on 4 front wheels and spring applied, air released emergency, parking, service chambers on 4 rear wheels. Air dryer standard.

Size

Rear wheels; 20-1/4" x 7" (0.51 x 0.18 m)

Front wheels; 16-1/2" x 6" (0.42 x 0.15 m)

Steering — Sheppard full integral hydraulic power with one master gear, one slave gear and one hydraulic pump for each axle. Steering mounted high on side of frame to minimize exposure to hazards. Separate master and slave for each axle eliminates transfer of steering force from entire system into one axle which could overload and damage linkage. Steering wheel is mechanically connected to axles to allow steering (with increased steering input effort) in the event of hydraulic system failure. Multiple pumps minimize possibility of total hydraulic system failure and only require increase in steering input effort sufficient to compensate for that portion of system that failed. High speed, high power system to maximize maneuverability both on the job site and on the road.

■ Engines

Diesel; 12/24-volt alternator, starter, pressure lubrication, hydraulic pump, dry type air cleaner, and air compressor.

Standard - Detroit Diesel 8V-92 TAC diesel, 8 cylinder. See page 4 for details.

Optional - Cummins N14-460E (available 1991). See page 4 for details.

Clutch — Lipe-Rollway 15-1/2" (0.39 m) 2 plate, dry disc.

Transmissions

Main — Eaton RTX 14708LL; ten speeds forward, three reverse.

Auxiliary — Spicer P-1241-C; 4-speed, midship mounting.

■ Bumper Counterweight

"A" counterweight — 13 500 lbs.

(6 124 kg).

■ Carrier Cab

One-man, offset, fully enclosed. Air suspension mounted bucket seat with seat belt. Noise absorbing insulation with vinyl covering, sound reduction headliner, rubber floor mat; isolated from engine compartment, rubber mounted for sound level reduction. Instrument panel and dash includes speedometer, odometer, voltmeter, and gauges for fuel, engine temperature, air and oil pressures. Low air pressure warning buzzer, key locking switch, starter, tachometer, fire extinguisher, heater and defroster, 2-speed electric windshield wiper, and windshield washer. Tilt and telescope steering column.

■ Electrical System

12-volt; including dual sealed beam headlights, directional signals with 4-way flashing system, stop and tail lights, clearance lights, horn, lighting of instrument panel, dome light, headlight dimmer switch, and four 12-volt, group 31 batteries. Individual switches provide circuit control for hydraulic outrigger solenoid valves; one control station on each side of carrier.

■ Fuel Tank

One 85 gallon (322 liter) capacity tank; side mounted on carrier frame.

Standard auxiliary equipment — West Coast type rear view mirrors, lug wrench, 2-way reading bubble levels. High pressure lube fittings at all bearing points. Hand grab rails, carrier deck access ladder, back-up alarm, skid-resistant finish on carrier deck.

GENERAL INFORMATION ONLY

Engine Specifications	Detroit Diesel 8V-92 TAC DDEC	Cummins N14-460E
Number of cylinders	8	6
Bore	4.84" (0.12 m)	5.5" (0.14 m)
Stroke	5" (0.13 m)	6" (0.15 m)
Piston Displacement	736 cu. in. (12 061 cm ³)	855 cu. in. (14 013 cm ³)
Max. brake h.p. @ r.p.m.	450 (335.56 kw) @ 2,100	460 (343.02 kw) @ 1,700 or 350 (261.00 kw) @ 2,100
Governed load speed r.p.m.	2,100	2,100
Peak torque @ r.p.m.	1,425 ft. lbs. (1 932 j) @ 1,200	1,550 ft. lbs. (2 102 j) @ 1,200
Electrical system	12/24-volt charging/24-volt starting	12/24-volt charging/24-volt starting
Batteries	Four 12-volt	Four 12-volt
Air compressor	Bendix TU-FLO 1000, 24 cfm (68 m ³ /min)	Cummins 30 cfm (85 m ³ /min)

Carrier Speeds

Main — Eaton RTX 14708LL			Auxiliary — Spicer P-1241-C							
			4th (.81)		3rd (1.00)		2nd (1.24)		1st (2.37)	
Gear		Ratio	m.p.h.	km/hr	m.p.h.	km/hr	m.p.h.	km/hr	m.p.h.	km/hr
High	8th	.74	48.0	77.2	47.4	76.3	38.2	61.5	20.0	32.2
	7th	1.00	43.2	69.5	35.1	56.5	28.3	45.5	14.8	23.8
	6th	1.36	31.8	51.2	25.8	41.5	20.8	33.5	10.9	17.5
	5th	1.83	23.6	38.0	19.2	30.9	15.5	24.9	8.1	13.0
Low	4th	2.53	17.1	27.5	13.9	22.4	11.2	18.0	5.9	9.5
	3rd	3.40	12.7	20.4	10.3	16.6	8.3	13.4	4.4	7.1
	2nd	4.63	9.3	15.0	7.6	12.2	6.1	9.8	3.2	5.1
	1st	6.24	6.9	11.1	5.6	9.0	4.5	7.2	2.4	3.9
	L	9.42	4.6	7.4	3.7	6.0	3.0	4.8	1.6	2.6
Deep Reduction	LL	14.56	3.0	4.8	2.4	3.9	1.9	3.1	1.0	1.6
Hi Rev.	Rev.	2.89	15.0	24.1	12.1	19.5	9.8	15.8	5.1	8.2
Lo Rev.	Rev.	9.85	4.4	7.1	3.6	5.8	2.9	4.7	1.5	2.4
Deep Reduction	Rev.	15.22	2.8	4.5	2.3	3.7	1.9	3.1	1.0	1.6
Deep Reduction @ 1,200 rpm	LL	14.56	1.7	2.7	1.4	2.3	1.1	1.8	.6	1.0
Deep Reduction @ 1,200 rpm	Rev.	15.22	1.6	2.6	1.3	2.1	1.0	1.6	.6	1.0

Turning Ability

Turning circle diameter	Curb clearance circle diameter	Vehicle clearance circle diameter	
		Over outside of front bumper	Over outside of front bumper counterweight "A"
Centerline of outer front tire	Outside of outer front tire		
98' 6" (30.02 m)	99' 10" (30.43 m)	104' 2" (31.75 m)	105' 10" (32.26 m)

GENERAL INFORMATION ONLY

HC-228H Load Hoisting Performance

Available line speed and line pull - based on ISUZU 6SA1T at 2100 rpm full load speed.

Line pulls are not based on wire rope strength. See wire rope chart for maximum permissible single part of line working loads.

Front and Rear Drum: Line speeds and pulls

16-3/4" (.43 m) Root Dia. - 7/8" (22 mm) dia. rope													
Single line pull		First layer speed				Fourth layer speed				Seventh layer speed			
		Front Drum		Rear Drum		Front Drum		Rear Drum		Front Drum		Rear Drum	
lbs	kgs	fpm	m/min	fpm	m/min	fpm	m/min	fpm	m/min	fpm	m/min	fpm	m/min
1,000	454	224	68	363	111	291	89	471	144	357	109	579	176
5,000	2 268	224	68	363	111	291	89	471	144	357	109	579	176
10,000	4 536	224	68	332	101	291	89	341	104	331	101	353	108
15,000	6 804	219	67	233	71	227	69	238	73	233	71	-	-
20,000	9 072	171	52	180	55	176	54	-	-	180	55	-	-
25,000	9 979	140	43	-	-	140	43	-	-	140	43	-	-

Wire rope: size, type and working strength

Wire rope application	Size: diameter		Type	Max permissible load	
	inches	mm		lbs	kg
Boom hoist	7/8	22	W	22,700	10 297
Main load hoist	7/8	22	N	22,700	10 297
Auxiliary hoist	7/8	22	P	13,000	5 896
Boom pendants	1-1/4	32	N	53,200	24 100

GENERAL INFORMATION ONLY

Wire rope: types available

- Type "N" - 6 X 25 (6 X 19 class), filler wire, extra improved plow steel, preformed, independent wire rope center, right lay, regular lay.
- Type "W" - 6 X 26 (6 X 19 class), extra improved plow steel, preformed, independent wire rope center, right lay, alternate lay.
- Type "P" - 19 X 7 non-rotating, extra improved plow steel, preformed, wire strand core.

Upperstructure

Frame

All-welded, precision machined unit;

Fuel tank

76 gallon (290 L) capacity

Power transmission

All functions hydraulically powered allowing positive, precise control, with independent or simultaneous operation of all crane functions.

Engine Specifications

Isuzu 6SA1T with oil filter, oil cooler, air cleaner, fuel filter, water separator, hour meter, tachometer and electrical shutdown.

Number of cylinders	6
Bore and stroke - inch - (mm)	4 - 17/32 X 5 - 5/16 (115 X 135)
Piston displacement - (in ³) - (cm ³)	513 (8413)
Engine rpm at full load speed Hi-idle rpm	2100 2350
Net engine horsepower at full load speed, (HP)	195 (145 kw)
Peak torque - foot pounds - (joule)	513 696
Peak torque - rpm	1400
Electrical system Batteries	24 volt 2 - 12 volt

Hydraulic System

Hydraulic pumps

Two variable displacement piston pumps operating at 4000 PSI powers main drum, auxiliary drum, and boomhoist functions. One fixed displacement gear pump operating at 3000 PSI powers swing functions. One fixed displacement gear pump operating at 1210 PSI powers pilot control system, clutches, brakes and pump controls.

Hydraulic reservoir

78 US gallon (295 L), equipped with sight level gauge.

Relief valves

Each function is equipped with relief valves to protect the circuit from overload or shock.

Hydraulic filtration

Ten micron, full flow line filter furnished in control circuit. All oil is filtered prior to return to sump tank.

Hydraulic motors

Main hoist drum, auxiliary hoist drum, boomhoist, and swing are powered by axial piston motors.

Counterbalance valves

Hoist motors are equipped with counterbalance valves to provide positive load lowering and prevent accidental load drop when hydraulic power is suddenly reduced.

GENERAL INFORMATION ONLY

Principal Operating Functions

Control system

Remote controlled hydraulic servo for main drum and auxiliary drum. Mechanical linkage controls swing. Function speed is proportional to lever movement. Levers are adjustable for operator comfort.

Load hoisting and lowering

Main and auxiliary hoist drums are driven by individual axial piston motors and reduction gearing. Load hoisting or lowering is provided by actuating or reversing a hydraulic motor. Smooth, precise, power load lowering is attained with automatic hydraulic brake. The control lever provides two speeds for hoisting and lowering. Hoisting or lowering speeds are proportional to lever movement.

Load hoist drums

Main (front) and auxiliary (rear) hoist drums are 16-3/4" (.43 m) root diameter grooved for 7/8" (22 mm) wire rope. Mounted on anti-friction bearings.

Drum clutches

Speed-o-Matic® power hydraulic two-shoe clutches; internal expanding, lined shoes. Clutch spiders are splined to shafts; clutch drums are integral with hoist drums.

Load hoist clutches - Front and rear main drums - clutch drums 20" diameter, 5" face width. Swept area is 314 square inches.

Drum brakes

External contracting band type; operated by foot pedal equipped with a locking latch. Operator may select automatic brake mode (spring applied, hydraulically released), which will apply brakes when the hoist control lever is in the neutral position.

Drum rotation indicators

Standard for front and rear drums. Audible-type indicators.

Drum locking pawl

Standard for front and rear drums; electrically actuated and prevents drum rotation in a lowering direction.

Anti two-block system

Standard: A switch mounted on the boom peak activates a buzzer to warn the operator of a two-block condition and simultaneously disengages hoist function while applying the hoist brakes.

Swing system

Independent, hydraulic swing is driven; by an axial piston motor through a gear reduction system.

Swing brake - Spring applied, hydraulically released; controlled by button on swing control lever.

Swing lock - Mechanically controlled, 360° locking mechanism.

Swing speed - 0 to 2.2 r.p.m.

Boomhoist / lowering system

Independent, hydraulic boomhoist is driven by an axial piston motor through a gear reduction system. Boom hoisting or lowering is performed by actuating or reversing the motor.

Boomhoist drum

Single grooved lagging 10-11/16" (.27 m) root diameter.

Boomhoist drum locking pawl

Electrically operated.

Boomhoist brake

Spring applied, hydraulically released, multiple disc type brake. Brake is automatically applied when control lever is in neutral position.

Boomhoist limiting device - Restricts hoisting boom beyond recommended minimum radius.

Electrical system

24 volt negative ground system, with two 12-volt batteries. Standard lighting system includes: two 70 watt headlights mounted on machine front and one interior cab light.

Operator's cab

Full vision, modular compartment with safety glass panels. The completely independent cab is insulated against noise and vibration. Sliding operator's door, swing up roof window. Standard equipment includes: heater, defroster, windshield wiper, dry chemical fire extinguisher, sun visor, bubble-type level, fuel gauge, tachometer, hydraulic temperature gauge, engine oil pressure gauge, coolant temperature gauge and service monitor system.

Machinery cab

Hinged doors (one on right side, two on left side) for machinery access. Equipped with roof-top access ladder, electric warning horn and skid resistant finish on roof.

Catwalks

Standard on operator side. Catwalks remove for reduced travel width.

GENERAL INFORMATION ONLY

■ **Bail**

Pinned to revolving frame. Six sheaves are provided for 14-part boomhoist wire rope reeving. Sheaves mounted on anti-friction bearings, sealed for lifetime lubrication.

■ **Counterweight**

Counterweight "A" – 23,000 lbs. (10 433 kg)

Counterweight "B" – 20,000 lbs. (9 072 kg)

Boom and Jib

■ **Tubular Boom**

Two-piece basic boom 50' (15.24 m) long with open throat top section. Boom 70" (1.77 m) wide, 62" (1.57 m) deep at connections. Alloy steel round tubular cords 4" (0.10 m) outside diameter.

■ **Base Section**

20' (6.10 m) long; boomfeet on 55" (1.40 m) centers.

■ **Boom Extensions**

Available in 10', 20', 30' and 40' (3.05, 6.10, 9.14 and 12.19 m) lengths with appropriate length pendants.

■ **Boom Connections**

In-line pin connections.

■ **Boom Top Section**

Open throat; 30' (9.14 m) long.

■ **Boompoint Machinery**

Six 21" (0.53 m) root diameter sheaves mounted on lifetime sealed anti-friction bearings for lifting crane applications.

■ **Boom Live Mast**

Supports boomhoist bridle and boom pendants. Required for all boom lengths. May be used as short boom for assembling and disassembling counterweight, outriggers and boom, but is not intended for general crane service. Refer to operator's manual for boom live mast lifting capacities.

Note: The mast may be self-stored either over the back of the machinery house or forward of the boomfoot during transportation. Resulting weight transfer will significantly affect axle loadings (see axle load chart on page 2).

■ **Tubular Jib**

Two-piece basic jib 30' (9.14 m) long; 36" (0.91 m) wide, 30" (0.76 m) deep at connections. Alloy steel tubular chords 2-1/4" (57 mm) outside diameter.

■ **Base Section**

15' (4.57 m) long; mounted to boom headshaft hubs.

■ **Jib Extensions**

Available in 10', 15', 20', 30' and 40' (3.05, 4.57, 6.10, 9.14 and 12.19 m) lengths; maximum jib length permitted - 70' (21.34 m).

■ **Jib Connections**

In-line pin connections.

■ **Jib Tip Section**

15' (4.57 m) long; single peak sheave 21" (0.53 m) root diameter mounted on anti-friction bearings.

■ **Jib Mast**

12' 7-5/8" (6.85 m) high, mounted on jib base section. One deflector sheave, mounted on anti-friction bearings, mounted within mast to guide jib load hoist line. Jib frontstay line and jib backstay line pin at top of jib mast.

GENERAL INFORMATION ONLY

Link-Belt® HC-228H lifting crane capacities — open throat boom

PCSA Class12-775
Refer to notes page 6

Boom — tubular; 70" (1.77m) wide, 62" (1.57m) deep with open throat top section, 1-3/8" (35 mm) diameter boom pendants & boom live mast.

Jib — tubular; 36" (.91 m) wide, 30" (.76m) deep.

Counterweights — Refer to charts below.

Mounting — rubber tire mobile base: Link-Belt; 8 x 4 drive, 260" (6.60m) wheelbase, 11' 0" (3.35m) wide.

Counterweights					
"A" upper		"AB" upper		"A" bumper	
Pounds	Kilograms	Pounds	kilograms	Pounds	kilograms
23,000	10 433	42,330	19 201	13,500	6 124

Open throat boom or boom + jib machine can lift off ground unassisted, without load.

Standard HC-228H must be equipped with the counterweight combinations below when the indicated boom or boom + jib lengths are used.	Minimum/maximum boom or boom + jib lengths allowed	On outriggers							
		Over rear				Over side			
		Boom		Boom + jib		Boom		Boom + jib	
		Feet	meters	Feet	meters	Feet	meters	Feet	meters
O + O	Minimum Maximum	50 160	15.24 48.77	50 + 30 120 + 70	15.24 + 9.14 36.58 + 21.34	50 140	15.24 42.67	50 + 30 110 + 70	15.24 + 9.14 33.53 + 21.34
A + O	Minimum Maximum	50 190	15.24 57.91	50 + 30 160 + 70	15.24 + 9.14 48.77 + 21.34	50 180	15.24 54.86	50 + 30 140 + 70	15.24 + 9.14 42.67 + 21.34
A + A	Minimum Maximum	50 220	15.24 67.06	50 + 30 180 + 70	15.24 + 9.14 54.86 + 21.34	50 190	15.24 57.91	50 + 30 150 + 70	15.24 + 9.14 45.72 + 21.34
AB + O	Minimum Maximum	50 220	15.24 67.06	50 + 30 180 + 70	15.24 + 9.14 54.86 + 21.34	50 210	15.24 64.01	50 + 30 170 + 70	15.24 + 9.14 51.82 + 21.34
AB + A	Minimum Maximum	50 240	15.24 73.15	50 + 30 210 + 70	15.24 + 9.14 64.01 + 21.34	50 210	15.24 64.01	50 + 30 180 + 70	15.24 + 9.14 54.86 + 21.34

Machine travel^① with open throat boom + jib, with no load.^②

Standard HC-228H must be equipped with the counterweight combinations below when the indicated boom or boom + jib lengths are used.	Minimum/maximum boom or boom + jib lengths allowed	On tires ^③							
		Jobsite moves at 1 mph (1.61 km/h) with boom or boom + jib in the air ^④ , and with upper facing rear only.				Jobsite moves at 5 mph (8.05 km/h), with boom or boom + jib horizontal over rear only, and supporting with standard suspension.			
		Boom		Boom + jib		Boom		Boom + jib	
		Feet	meters	Feet	meters	Feet	meters	Feet	meters
O + O	Minimum Maximum	50 160	15.24 48.77	n/a n/a	n/a n/a	50 70	15.24 21.34	n/a n/a	n/a n/a
A + O	Minimum Maximum	50 190	15.24 57.91	n/a n/a	n/a n/a	50 100	15.24 30.48	n/a n/a	n/a n/a
A + A	Minimum Maximum	50 220	15.24 67.06	n/a n/a	n/a n/a	50 130	15.24 39.62	n/a n/a	n/a n/a
AB + O	Minimum Maximum	50 220	15.24 67.06	n/a n/a	n/a n/a	50 130	15.24 39.62	n/a n/a	n/a n/a
AB + A	Minimum Maximum	50 240	15.24 73.15	50 + 30 210 + 70	15.24 + 9.14 64.01 + 21.34	70 150	21.34 45.72	50 + 30 120 + 70	15.24 + 9.14 36.58 + 21.34

- ① Hook block may be carried only when attached to carrier.
- ② Limited to 85% of available stability with machine standing level on firm supporting surface.
- ③ For air pressure in front and rear tires refer to operator's manual or tire inflation chart on machine.
- ④ For minimum and maximum boom angles refer to operator's manual.

Caution: This material is for reference only. Operator must refer to in-cab capacity plate to determine allowable machine lifting capacities and operating procedures.

HC-228H Lift Crane Capacities

Boom - Tubular
70" (1.77 m) wide and 62" (1.57 m) deep with open throat top
section: with 26" (7.92 m) live mast and 1-3/8" (35 mm) diameter boom pendants.

Mounting - Link-Belt carrier:
8 x 4 drive, 260" (6.60 m) wheelbase 11' 0" (3.35 m) wide.

Counterweights:
Ctwt. "A": 23,000 lbs. (10 433 kg)
Ctwt. "B": 19,330 lbs. (8 768 kg)
Bumper Ctwt. "A": 13,500 lbs. (6 124 kg)

Length	Boom					Over Rear				360°			
	Radius		Angle	Boom Pt. Height [ⓐ]		"A + A" Ctwt.		"AB + A" Ctwt.		"A + A" Ctwt.		"AB + A" Ctwt.	
	feet	meters	degree	feet	meters	pounds	kilograms	pounds	kilograms	pounds	kilograms	pounds	kilograms
120' (36.58 m)	24	7.32	79.9	125.0	38.10	118,400*	53 706*	126,700*	57 471*	114,900	52 119	126,700*	57 471*
	25	7.62	79.4	124.8	38.04	113,600*	51 529*	123,600*	56 065*	106,700	48 399	123,600*	56 065*
	30	9.14	77.0	123.7	37.70	94,400*	42 820*	102,900*	46 675*	77,700	35 245	99,000	44 906
	35	10.67	74.5	122.5	37.34	78,000	35 381	87,800*	39 826*	60,600	27 488	77,500	35 154
	40	12.19	72.0	121.0	36.88	64,000	29 030	76,300	34 610	49,200	22 317	63,400	28 758
	50	15.24	66.9	117.2	35.72	46,300	21 002	56,600	25 674	35,200	15 967	45,700	20 730
	60	18.29	61.6	112.4	34.26	35,900	16 284	44,100	20 004	26,800	12 156	35,300	16 012
	70	21.34	56.0	106.3	32.40	28,800	13 064	35,600	16 148	21,300	9 662	28,200	12 792
	80	24.38	50.1	98.8	30.11	23,800	10 796	29,600	13 427	17,300	7 847	23,200	10 524
	90	27.43	43.5	89.4	27.25	20,100	9 117	25,100	11 385	14,300	6 486	19,600	8 891
	100	30.48	36.0	77.4	23.59	17,100	7 757	21,700	9 843	12,000	5 443	16,700	7 575
	110	33.53	26.9	61.0	18.59	14,700	6 668	18,800	8 528	10,100	4 581	14,300	6 486
120	36.58	12.7	33.3	10.15	12,700	5 761	15,000*	6 804*	8,500	3 856	12,400	5 625	
130' (39.62 m)	26	7.92	79.8	134.8	41.09	108,900*	49 397*	115,700*	52 482*	99,300	45 042	115,700*	52 482*
	30	9.14	78.0	134.0	40.84	94,000*	42 638*	102,400*	46 449*	77,600	35 199	98,800	44 816
	35	10.67	75.7	132.8	40.48	77,800	35 290	87,400*	39 645*	60,500	27 443	77,400	35 109
	40	12.19	73.4	131.4	40.05	63,800	28 940	75,900*	34 428*	49,100	22 272	63,200	28 668
	50	15.24	68.8	128.0	39.01	46,100	20 911	56,400	25 583	35,100	15 921	45,500	20 639
	60	18.29	64.0	123.6	37.67	35,700	16 194	43,900	19 913	26,600	12 066	35,000	15 876
	70	21.34	59.0	118.2	36.03	28,600	12 973	35,400	16 057	21,100	9 571	28,000	12 701
	80	24.38	53.7	111.5	33.99	23,500	10 660	29,400	13 336	17,100	7 757	23,000	10 433
	90	27.43	48.0	103.4	31.52	19,900	9 027	24,900	11 295	14,100	6 396	19,400	8 800
	100	30.48	41.7	93.3	28.44	16,900	7 666	21,500	9 752	11,800	5 352	16,500	7 484
	110	33.53	34.6	80.6	24.57	14,500	6 577	18,600	8 437	9,900	4 491	14,100	6 396
	120	36.58	25.8	63.4	19.32	12,600	5 715	16,300	7 394	8,400	3 810	12,200	5 534
	130	39.62	12.2	34.4	10.49	10,900	4 944	13,000*	5 897*	7,100	3 221	10,500	4 763
140' (42.67 m)	28	8.53	79.7	144.6	44.07	100,400*	45 541*	105,000*	47 628*	87,200	39 554	105,000*	47 628*
	30	9.14	78.9	144.2	43.90	93,500*	42 412*	101,900*	46 222*	77,500	35 154	98,700	44 770
	35	10.67	76.8	143.1	43.62	77,600	35 199	87,000*	39 463*	60,300	27 352	77,200	35 018
	40	12.19	74.7	141.8	43.22	63,600	28 849	75,400*	34 201*	48,900	22 181	63,000	28 577
	50	15.24	70.4	138.7	42.28	45,900	20 820	56,100	25 447	34,900	15 831	45,200	20 503
	60	18.29	66.0	134.7	41.06	35,500	16 103	43,700	19 822	26,400	11 975	34,800	15 785
	70	21.34	61.4	129.7	39.53	28,400	12 882	35,200	15 967	20,900	9 480	27,800	12 610
	80	24.38	56.6	123.7	37.70	23,300	10 569	29,100	13 200	16,900	7 666	22,800	10 342
	90	27.43	51.6	116.5	35.51	19,700	8 936	24,600	11 159	13,900	6 305	19,200	8 709
	100	30.48	46.1	107.7	32.83	16,700	7 575	21,200	9 616	11,600	5 262	16,200	7 348
	110	33.53	40.1	97.0	29.57	14,300	6 486	18,400	8 346	9,700	4 400	13,900	6 305
	120	36.58	33.3	83.6	25.48	12,400	5 625	16,100	7 303	8,100	3 674	12,000	5 443
	130	39.62	24.8	65.6	19.99	10,700	4 854	14,100	6 396	6,900	3 130	10,400	4 717
	140	42.67	11.8	35.4	10.79	9,300	4 218	11,100*	5 035*	5,700	2 586	9,000	4 082
150' (45.72 m)	30	9.14	79.6	154.4	47.06	93,100*	42 230*	96,400*	43 727*	77,300	35 063	96,400*	43 727*
	35	10.67	77.7	153.4	46.76	77,400	35 109	86,500*	39 236*	60,200	27 307	77,000	34 927
	40	12.19	75.7	152.2	46.39	63,400	28 758	75,000*	34 020*	48,700	22 090	62,900	28 531
	50	15.24	71.7	149.2	45.48	45,700	20 730	55,900	25 356	34,600	15 695	45,000	20 412
	60	18.29	67.6	145.5	44.35	35,200	15 967	43,400	19 686	26,100	11 839	34,600	15 695
	70	21.34	63.4	141.0	42.98	28,100	12 746	34,900	15 831	20,700	9 390	27,500	12 474
	80	24.38	59.1	135.5	41.30	23,000	10 433	28,900	13 109	16,700	7 575	22,500	10 206
	90	27.43	54.5	129.0	39.32	19,400	8 800	24,400	11 068	13,700	6 214	18,900	8 573
	100	30.48	49.7	121.2	36.94	16,400	7 439	21,000	9 526	11,300	5 126	16,000	7 258
	110	33.53	44.5	111.9	34.11	14,100	6 396	18,200	8 256	9,400	4 264	13,800	6 280
	120	36.58	38.7	100.6	30.66	12,100	5 489	15,800	7 167	7,900	3 583	11,700	5 307
	130	39.62	32.1	86.6	26.40	10,500	4 763	13,900	6 305	6,600	2 994	10,100	4 581
	140	42.67	24.0	67.8	20.67	9,100	4 128	12,300	5 579	5,500	2 495	8,800	3 992
	150	45.72	11.4	36.4	11.09	7,900	3 583	9,600*	4 355*	4,600	2 087	7,600	3 447
160' (48.77 m)	31	9.45	79.9	164.3	49.77	88,300*	40 053*	88,300*	40 053*	73,000	33 113	88,300*	40 053*
	35	10.67	78.4	163.6	49.87	77,200	35 018	85,700*	38 874*	60,000	27 216	76,800	34 836
	40	12.19	76.6	162.5	49.53	63,200	28 668	74,600*	33 839*	48,500	22 000	62,700	28 441
	50	15.24	72.9	159.7	48.68	45,400	20 593	55,700	25 266	34,400	15 604	44,800	20 321
	60	18.29	69.1	156.3	47.64	35,000	15 876	43,200	19 596	25,900	11 748	34,400	15 604
	70	21.34	65.2	152.1	46.36	27,900	12 655	34,700	15 740	20,500	9 299	27,300	12 383
	80	24.38	61.2	147.0	44.81	22,800	10 342	28,600	12 973	16,400	7 439	22,200	10 070
	90	27.43	57.0	141.1	43.01	19,200	8 709	24,100	10 932	13,400	6 078	18,700	8 482
	100	30.48	52.7	134.0	40.84	16,200	7 348	20,700	9 390	11,100	5 035	15,700	7 122
	110	33.53	48.0	125.7	38.31	13,800	6 260	17,900	8 119	9,200	4 173	13,400	6 078
	120	36.58	43.0	115.9	35.33	11,900	5 398	15,600	7 076	7,700	3 493	11,500	5 216
	130	39.62	37.4	104.1	31.73	10,200	4 627	13,700	6 214	6,400	2 903	9,900	4 491
	140	42.67	31.1	89.4	27.25	8,900	4 037	12,000	5 443	5,300	2 404	8,500	3 856
	150	45.72	23.2	69.9	21.31	7,700	3 493	10,600	4 808	4,300	1 950	7,300	3 311
	160	48.77	11.0	37.4	11.40	6,600	2 994	8,100*	3 674*	3,500	1 588	6,300	2 858

ⓐ Measured vertically from center of boom head sheave to ground

HC-228H Lift Crane Capacities

Boom - tubular:

70" (1.77 m) wide and 62" (1.57 m) deep with open throat top section; with 26" (7.92 m) live mast and 1-3/8" (35 mm) diameter boom pendants.

Mounting - Link-Belt carrier:

8 x 4 drive, 260" (6.60 m) wheelbase 11' 0" (3.35 m) wide.

Counterweights:

Cwt. "A": 23,000 lbs. (10 433 kg)
 Cwt. "B": 19,330 lbs. (8 768 kg)
 Bumper Cwt. "A": 13,500 lbs. (6 124 kg)

Length	Boom					Over Rear				360°			
	Radius		Angle	Boom Pt. Height ^①		"A + A" Cwt.		"AB + A" Cwt.		"A + A" Cwt.		"AB + A" Cwt.	
	feet	meters	degree	feet	meters	pounds	kilograms	pounds	kilograms	pounds	kilograms	pounds	kilograms
170' (51.82 m)	33	10.06	79.8	174.1	53.07	81,000*	36 742*	81,000*	36 742*	65,900	29 892	81,000*	36 742*
	35	10.67	79.1	173.8	52.97	77,000	34 927	80,000*	36 288*	59,800	27 125	76,600	34 746
	40	12.19	77.4	172.7	52.64	63,000	28 577	74,200*	33 657*	48,300	21 909	62,500	28 350
	50	15.24	73.9	170.2	51.88	45,200	20 503	55,400	25 129	34,200	15 513	44,800	20 321
	60	18.29	70.4	167.0	50.90	34,700	15 740	42,900	19 459	25,700	11 658	34,100	15 468
	70	21.34	66.8	163.0	49.68	27,600	12 519	34,400	15 604	20,200	9 163	27,000	12 247
	80	24.38	63.0	158.4	48.28	22,500	10 206	28,400	12 882	16,200	7 348	22,200	10 070
	90	27.43	59.2	152.8	46.57	18,900	8 573	23,800	10 796	13,200	5 988	18,400	8 346
	100	30.48	55.5	146.4	44.62	15,900	7 212	20,500	9 299	10,800	4 899	15,500	7 031
	110	33.53	51.0	138.9	42.34	13,800	6 169	17,700	8 029	8,900	4 037	13,100	5 942
	120	36.58	46.5	130.1	39.65	11,600	5 262	15,300	6 940	7,400	3 357	11,200	5 080
	130	39.62	41.6	119.8	36.52	10,000	4 536	13,400	6 078	6,100	2 767	9,600	4 355
	140	42.67	36.3	107.4	32.74	8,600	3 901	11,700	5 307	5,000	2 268	8,300	3 765
	150	45.72	30.1	92.1	28.07	7,400	3 357	10,300	4 672	4,100	1 860	7,100	3 221
	160	48.77	22.5	71.9	21.92	6,400	2 903	9,100	4 128	3,300	1 497	6,100	2 767
	170	51.82	10.7	38.4	11.70	5,500	2 495	6,800*	3 084*	2,600	1 179	5,200	2 359
	180' (54.86 m)	35	10.67	79.7	183.9	56.05	72,800*	33 022*	72,800*	33 022*	59,700	27 080	72,800*
40		12.19	78.1	183.0	55.78	62,800	28 486	71,700*	32 523*	48,100	21 818	62,300	28 259
50		15.24	74.8	180.6	55.05	45,000	20 412	55,200	25 039	34,000	15 422	44,600	20 231
60		18.29	71.5	177.5	54.10	34,500	15 649	42,700	19 369	25,400	11 521	33,900	15 377
70		21.34	68.1	173.9	53.00	27,400	12 429	34,200	15 513	20,000	9 072	26,800	12 156
80		24.38	64.7	169.5	51.66	22,300	10 115	28,100	12 746	16,000	7 258	22,000	9 979
90		27.43	61.1	164.4	50.11	18,700	8 482	23,500	10 660	12,900	5 851	18,200	8 256
100		30.48	57.4	158.4	48.28	15,700	7 122	20,200	9 163	10,600	4 808	15,200	6 895
110		33.53	53.5	151.5	46.18	13,300	6 033	17,400	7 893	8,700	3 946	12,900	5 851
120		36.58	49.4	143.6	43.77	11,300	5 126	15,100	6 849	7,100	3 221	11,000	4 990
130		39.62	45.1	134.3	40.93	9,700	4 400	13,100	5 942	5,800	2 631	9,300	4 218
140		42.67	40.4	123.5	37.64	8,300	3 765	11,500	5 216	4,800	2 177	8,000	3 629
150		45.72	35.2	110.6	33.71	7,100	3 221	10,100	4 581	3,800	1 724	6,800	3 084
160		48.77	29.3	94.8	28.90	6,100	2 767	8,900	4 037	3,000	1 361	5,800	2 631
170		51.82	21.9	73.9	22.52	5,200	2 359	7,800	3 538	2,300	1 043	4,900	2 223
180		54.86	10.4	39.3	11.98	4,400	1 996	5,600*	2 540*	-----	-----	4,100	1 860
190' (57.91 m)		36	10.97	80.0	193.9	59.10	63,300*	28 713*	63,300*	28 713*	56,800	25 764	63,300*
	40	12.19	78.8	193.2	58.98	62,600	28 395	63,300*	28 713*	47,900	21 727	62,000	28 123
	50	15.24	75.7	190.9	58.19	44,700	20 276	55,000	24 948	33,800	15 332	44,300	20 094
	60	18.29	72.5	188.0	57.30	34,200	15 513	42,400	19 233	25,200	11 431	33,600	15 241
	70	21.34	69.3	184.6	56.27	27,100	12 293	33,900	15 377	19,800	8 981	26,500	12 020
	80	24.38	66.1	180.5	55.02	22,200	10 070	27,800	12 610	15,700	7 122	21,700	9 843
	90	27.43	62.7	175.5	53.55	18,400	8 346	23,300	10 569	12,700	5 761	17,900	8 119
	100	30.48	59.3	170.2	51.88	15,400	6 985	20,000	9 072	10,300	4 672	15,000	6 804
	110	33.53	55.7	163.8	49.93	13,000	5 897	17,100	7 757	8,400	3 810	12,600	5 715
	120	36.58	52.0	156.6	47.70	11,100	5 035	14,800	6 713	6,900	3 130	10,700	4 854
	130	39.62	48.0	148.1	45.14	9,400	4 264	12,800	5 806	5,400	2 449	9,100	4 128
	140	42.67	43.8	138.4	42.18	8,100	3 674	11,200	5 080	4,500	2 041	7,700	3 493
	150	45.72	39.3	127.1	38.74	6,900	3 130	9,800	4 445	3,600	1 633	6,600	2 994
	160	48.77	34.3	113.8	34.69	5,800	2 631	8,600	3 901	2,800	1 270	5,500	2 495
	170	51.82	28.5	97.3	29.66	5,000	2 268	7,500	3 402	2,000	907	4,700	2 132
	180	54.86	21.3	75.8	23.10	4,200	1 905	6,600	2 994	-----	-----	3,900	1 769
	190	57.91	10.1	40.2	12.25	3,400	1 542	4,500*	2 041*	-----	-----	3,200	1 452
200' (60.96 m)	38	11.58	79.9	203.7	62.09	56,000*	25 402*	56,000*	25 402*	51,800	23 496	56,000*	25 402*
	40	12.19	79.3	203.4	62.00	56,000*	25 402*	56,000*	25 402*	47,700	21 637	56,000*	25 402*
	50	15.24	76.4	201.2	61.33	44,700	20 276	52,900*	23 995*	33,500	15 196	44,100	20 004
	60	18.29	73.4	198.5	60.50	34,000	15 422	42,200	19 142	24,900	11 295	33,400	15 150
	70	21.34	70.4	195.2	59.50	26,800	12 156	33,700	15 286	19,500	8 845	26,300	11 930
	80	24.38	67.3	191.4	58.34	22,000	9 979	27,600	12 519	15,400	6 985	21,500	9 752
	90	27.43	64.2	186.9	56.97	18,100	8 210	23,000	10 433	12,400	5 625	17,700	8 029
	100	30.48	61.0	181.7	55.38	15,100	6 849	19,700	8 936	10,000	4 536	14,700	6 668
	110	33.53	57.6	175.8	53.58	12,800	5 806	16,800	7 620	8,100	3 674	12,300	5 579
	120	36.58	54.2	169.0	51.51	10,800	4 899	14,500	6 577	6,600	2 994	10,400	4 717
	130	39.62	50.6	161.3	49.16	9,200	4 173	12,600	5 715	5,300	2 404	8,800	3 992
	140	42.67	46.7	152.5	46.48	7,800	3 538	10,900	4 944	4,200	1 905	7,400	3 357
	150	45.72	42.7	142.4	43.40	6,600	2 994	9,500	4 309	3,200	1 452	6,300	2 858
	160	48.77	38.3	130.7	39.84	5,600	2 540	8,300	3 765	2,500	1 134	5,300	2 404
	170	51.82	33.4	116.8	35.60	4,700	2 132	7,200	3 266	-----	-----	4,400	1 996
	180	54.86	27.7	99.8	30.42	3,900	1 769	6,300	2 858	-----	-----	3,600	1 633
	190	57.91	20.7	77.6	23.65	3,200	1 452	5,400	2 449	-----	-----	2,900	1 315
200	60.96	9.9	41.1	12.63	2,500	1 134	3,400*	1 542*	-----	-----	2,300	1 043	

① Measured vertically from center of boom head sheave to ground

HC-228H Lift Crane Capacities

Boom - Tubular

70" (1.77 m) wide and 62" (1.57 m) deep with open throat top section; with 26" (7.92 m) live mast and 1-3/8" (35 mm) diameter boom pendants.

Mounting - Link-Belt carrier:

8 x 4 drive, 260" (6.60 m) wheelbase 11' 0" (3.35 m) wide.

Counterweights:

Cwt. "A": 23,000 lbs. (10 433 kg)

Cwt. "B": 19,330 lbs. (8 768 kg)

Bumper Cwt. "A": 13,500 lbs. (6 124 kg)

Length	Boom					Over Rear				360°			
	Radius		Angle	Boom Pt. Height ^①		"A + A" Cwt.		"AB + A" Cwt.		"A + A" Cwt.		"AB + A" Cwt.	
	feet	meters	degree	feet	meters	pounds	kilograms	pounds	kilograms	pounds	kilograms	pounds	kilograms
210' (64.01 m)	40	12.19	79.8	213.5	65.07	49,800*	22 589*	49,800*	22 589*	47,500	21 546	49,800*	22 589*
	50	15.24	77.1	211.5	64.47	44,500	20 185	47,000*	21 319*	33,300	15 105	43,900	19 913
	60	18.29	74.2	208.9	63.67	33,700	15 286	41,700*	18 915*	24,700	11 204	33,100	15 014
	70	21.34	71.4	205.8	62.73	26,600	12 066	33,400	15 150	19,300	8 754	26,000	11 794
	80	24.38	68.5	202.2	61.63	21,700	9 843	27,300	12 383	15,200	6 895	21,200	9 616
	90	27.43	65.5	197.9	60.32	17,900	8 119	22,700	10 297	12,100	5 489	17,400	7 893
	100	30.48	62.5	193.0	58.83	14,900	6 759	19,400	8 800	9,800	4 445	14,400	6 532
	110	33.53	59.4	187.5	57.15	12,500	5 670	16,600	7 530	7,900	3 583	12,100	5 489
	120	36.58	56.1	181.2	55.23	10,500	4 762	14,200	6 441	6,300	2 858	10,100	4 581
	130	39.62	52.8	174.0	53.04	8,900	4 037	12,300	5 579	5,000	2 268	8,500	3 856
	140	42.67	49.3	165.9	50.57	7,500	3 402	10,700	4 854	3,900	1 769	7,200	3 266
	150	45.72	45.6	156.7	47.76	6,300	2 858	9,200	4 173	3,000	1 361	6,000	2 722
	160	48.77	41.6	146.2	44.56	5,300	2 404	8,000	3 629	2,200	998	5,000	2 268
170	51.82	37.3	134.1	40.87	4,400	1 996	6,900	3 130	-----	-----	4,100	1 860	
180	54.86	32.5	119.8	36.52	3,600	1 633	6,000	2 722	-----	-----	3,300	1 497	
190	57.91	27.0	102.3	31.18	2,900	1 315	5,200	2 359	-----	-----	2,600	1 179	
200	60.96	20.2	79.4	24.20	2,300	1 043	4,400	1 996	-----	-----	2,000	907	
210	64.01	9.6	41.9	12.77	-----	-----	2,400*	1 089*	-----	-----	-----	-----	
220' (67.06 m)	42	12.80	79.8	223.3	68.06	-----	-----	43,900*	19 913*	-----	-----	43,900*	19 913*
	50	15.24	77.7	221.7	67.57	-----	-----	41,300*	18 734*	-----	-----	41,300*	18 734*
	60	18.29	75.0	219.3	66.84	-----	-----	37,200*	16 874*	-----	-----	32,900	14 923
	70	21.34	72.3	216.3	65.93	-----	-----	33,100	15 014	-----	-----	25,700	11 658
	80	24.38	69.5	212.9	64.89	-----	-----	27,000	12 247	-----	-----	20,900	9 480
	90	27.43	66.7	208.9	63.67	-----	-----	22,400	10 161	-----	-----	17,100	7 757
	100	30.48	63.8	204.3	62.27	-----	-----	19,200	8 709	-----	-----	14,200	6 441
	110	33.53	60.9	199.0	60.66	-----	-----	16,300	7 394	-----	-----	11,800	5 352
	120	36.58	57.9	193.1	58.86	-----	-----	14,000	6 350	-----	-----	9,900	4 490
	130	39.62	54.7	186.4	56.81	-----	-----	12,000	5 443	-----	-----	8,200	3 720
	140	42.67	51.5	178.9	54.53	-----	-----	10,400	4 717	-----	-----	6,900	3 130
	150	45.72	48.1	170.5	51.97	-----	-----	9,000	4 082	-----	-----	5,700	2 586
	160	48.77	44.5	160.9	49.04	-----	-----	7,700	3 493	-----	-----	4,700	2 132
170	51.82	40.6	150.0	45.72	-----	-----	6,700	3 039	-----	-----	3,800	1 724	
180	54.86	36.4	137.4	41.88	-----	-----	5,700	2 586	-----	-----	3,000	1 361	
190	57.91	31.8	122.6	37.37	-----	-----	4,900	2 223	-----	-----	2,400	1 089	
200	60.96	26.4	104.7	31.91	-----	-----	4,100	1 860	-----	-----	-----	-----	
210	64.01	19.8	81.2	24.75	-----	-----	3,500	1 588	-----	-----	-----	-----	
220	67.06	9.4	42.7	13.01	-----	-----	-----	-----	-----	-----	-----	-----	
230' (70.10 m)	43	13.11	80.0	233.3	71.11	-----	-----	39,000*	17 690*	-----	-----	39,000*	17 690*
	50	15.24	78.2	232.0	70.71	-----	-----	37,000*	16 783*	-----	-----	37,000*	16 783*
	60	18.28	75.6	229.6	69.98	-----	-----	33,300*	15 105*	-----	-----	32,600	14 787
	70	21.34	73.1	226.8	69.13	-----	-----	30,000*	13 608*	-----	-----	25,500	11 567
	80	24.38	70.4	223.5	68.12	-----	-----	26,700	12 111	-----	-----	20,700	9 390
	90	27.43	67.8	219.7	66.96	-----	-----	22,100	10 025	-----	-----	16,900	7 666
	100	30.48	65.0	215.3	65.62	-----	-----	18,900	8 573	-----	-----	13,900	6 305
	110	33.53	62.3	210.4	64.13	-----	-----	16,000	7 258	-----	-----	11,500	5 216
	120	36.58	59.4	204.8	62.42	-----	-----	13,700	6 214	-----	-----	9,600	4 355
	130	39.62	56.5	198.5	60.50	-----	-----	11,700	5 307	-----	-----	8,000	3 629
	140	42.67	53.4	191.5	58.37	-----	-----	10,100	4 581	-----	-----	6,600	2 994
	150	45.72	50.3	183.7	55.99	-----	-----	8,700	3 946	-----	-----	5,400	2 449
	160	48.77	46.9	174.9	53.31	-----	-----	7,400	3 357	-----	-----	4,400	1 996
170	51.82	43.4	164.9	50.26	-----	-----	6,400	2 903	-----	-----	3,500	1 588	
180	54.86	39.7	153.6	46.82	-----	-----	5,400	2 449	-----	-----	2,800	1 270	
190	57.91	35.6	140.7	42.89	-----	-----	4,600	2 087	-----	-----	2,100	953	
200	60.96	31.0	125.4	38.22	-----	-----	3,800	1 724	-----	-----	-----	-----	
210	64.01	25.8	107.0	32.61	-----	-----	3,200	1 452	-----	-----	-----	-----	
220	67.06	19.3	82.9	25.27	-----	-----	2,600	1 179	-----	-----	-----	-----	
230	70.10	9.2	43.6	13.29	-----	-----	-----	-----	-----	-----	-----	-----	
240' (73.15 m)	45	13.72	79.9	243.1	74.10	-----	-----	34,900*	15 831*	-----	-----	34,900*	15 831*
	50	15.24	78.7	242.2	73.82	-----	-----	33,100*	15 014*	-----	-----	33,100*	15 014*
	60	18.28	76.2	239.9	73.12	-----	-----	29,800*	13 517*	-----	-----	29,800*	13 517*
	70	21.34	73.8	237.3	72.33	-----	-----	26,800*	12 156*	-----	-----	25,200	11 431
	80	24.38	71.3	234.1	71.35	-----	-----	24,200*	10 977*	-----	-----	20,400	9 253
	90	27.43	68.7	230.5	70.26	-----	-----	21,000*	9 526*	-----	-----	16,600	7 530
	100	30.48	66.1	226.3	68.98	-----	-----	18,600	8 437	-----	-----	13,600	6 169
	110	33.53	63.5	221.6	67.54	-----	-----	15,700	7 122	-----	-----	11,200	5 080
	120	36.58	60.8	216.3	65.93	-----	-----	13,400	6 078	-----	-----	9,300	4 218
	130	39.62	58.0	210.4	64.13	-----	-----	11,400	5 171	-----	-----	7,700	3 493
	140	42.67	55.2	203.8	62.19	-----	-----	9,800*	4 445*	-----	-----	6,300*	2 858*
	150	45.72	52.2	196.5	59.89	-----	-----	8,400	3 810	-----	-----	5,100	2 313
	160	48.77	49.1	188.3	57.39	-----	-----	7,200	3 266	-----	-----	4,100	1 860
170	51.82	45.9	179.1	54.59	-----	-----	6,100	2 787	-----	-----	3,200	1 452	
180	54.86	42.5	168.8	51.45	-----	-----	5,100	2 313	-----	-----	2,500	1 134	
190	57.91	38.8	157.2	47.91	-----	-----	4,300	1 950	-----	-----	-----	-----	
200	60.96	34.8	143.8	43.83	-----	-----	3,400*	1 542*	-----	-----	-----	-----	
210	64.01	30.4	128.2	39.08	-----	-----	2,200*	998	-----	-----	-----	-----	
220	67.06	25.3	109.2	33.28	-----	-----	-----	-----	-----	-----	-----	-----	
230	70.10	18.9	84.6	25.79	-----	-----	-----	-----	-----	-----	-----	-----	
240	73.15	9.0	44.3	13.50	-----	-----	-----	-----	-----	-----	-----	-----	

① Measured vertically from center of boom head sheave to ground

WARNING AND OPERATING INSTRUCTIONS

Read and understand these operating instructions and the chart values before operating crane. Operation which does not follow these instructions may result in an accident.

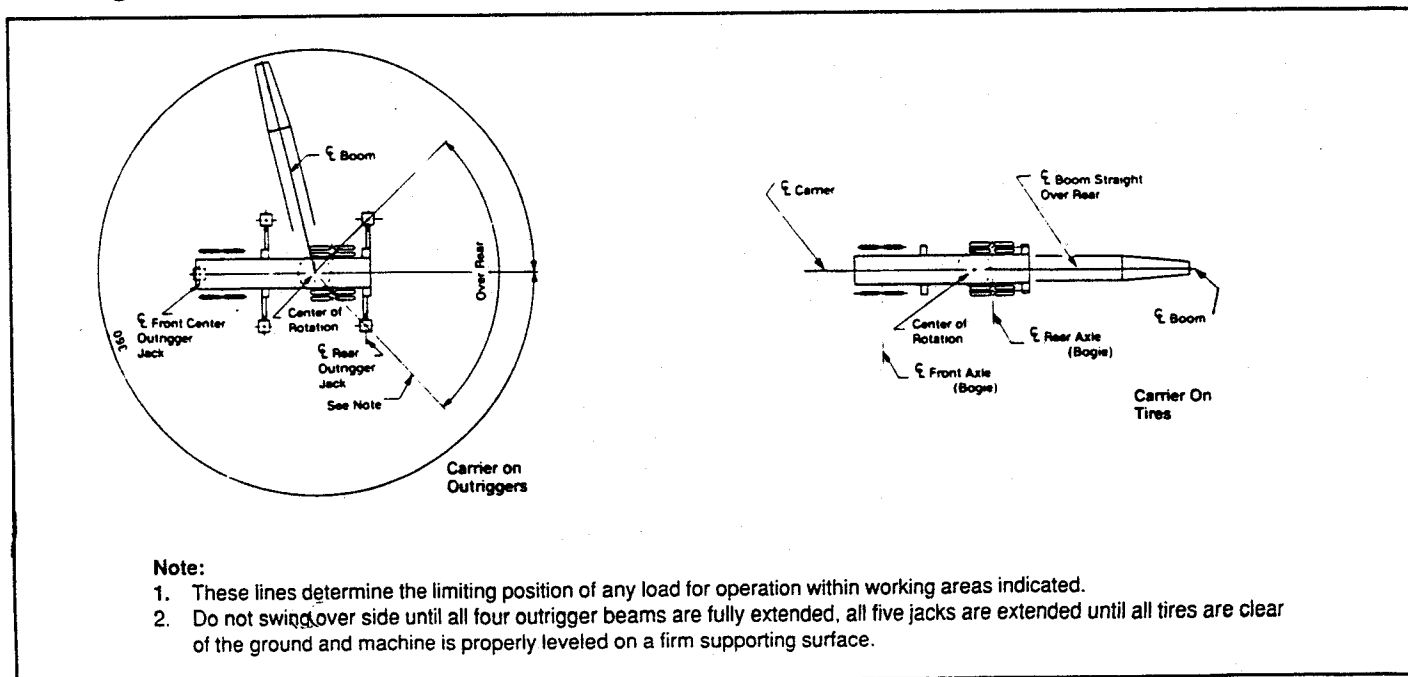
General:

1. Rated lifting capacities as shown on lift chart pertain to this machine as originally manufactured and normally equipped by Link-Belt Construction Equipment Company. Modifications to the machine or use of optional equipment other than that specified can result in a reduction of capacity.
2. Construction equipment can be dangerous if improperly operated or maintained. Operation and maintenance of this machine must be in compliance with the information in the operator's, parts and safety manuals supplied with the machine. If these manuals are missing, order replacements through the distributor.
3. The operator and other personnel associated with this machine shall fully acquaint themselves with the latest applicable American National Standards Institute (ANSI) safety standards for cranes.

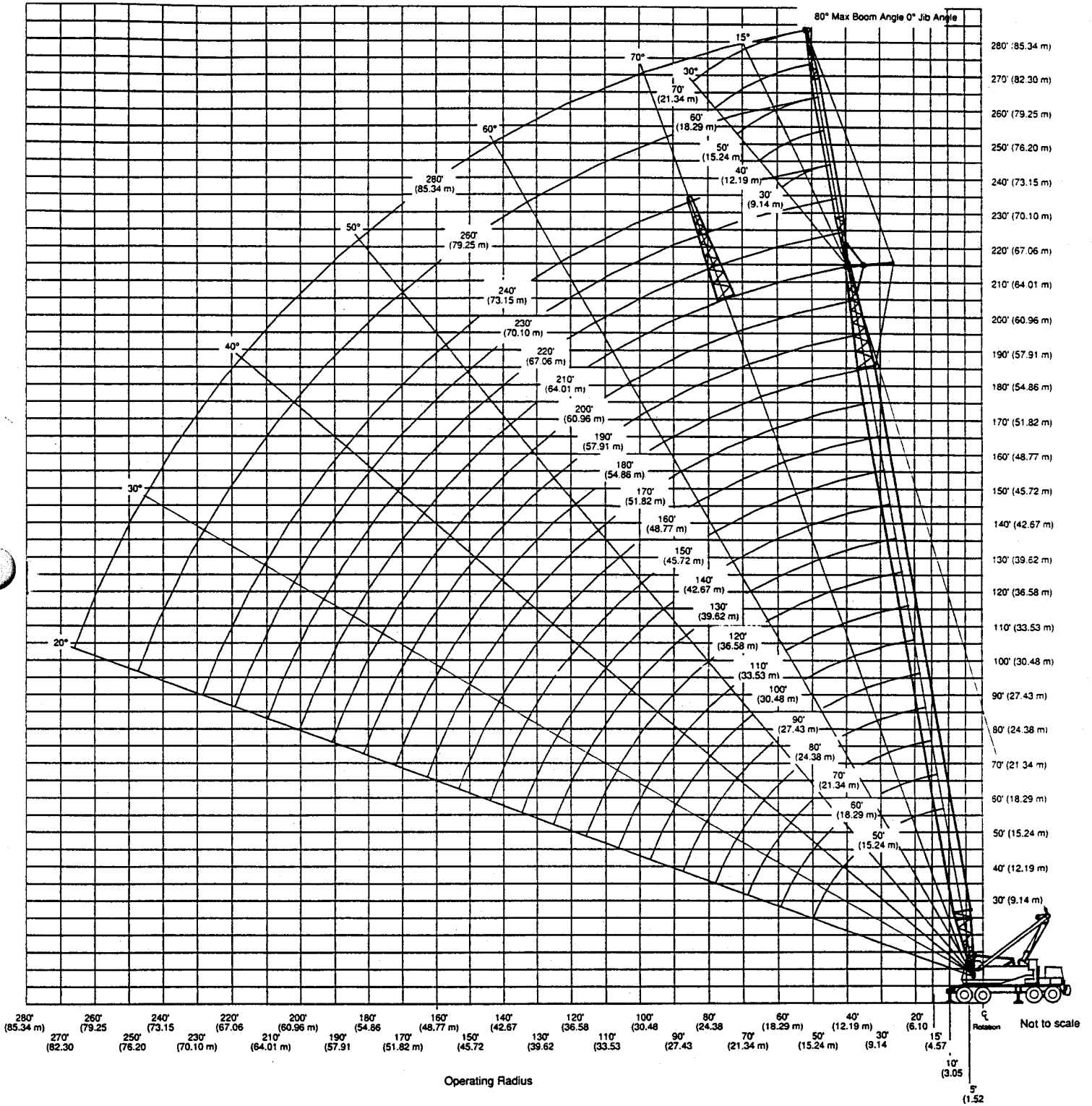
Lifting Crane Notes:

1. Capacities shown are not more 85% of the tipping loads with machine standing level on firm supporting surface. A deduction must be made from these capacities for weight of hook block, hook, sling, grapple, load weighing devices, etc. When using main hook while jib is attached reduce capacities by values shown on jib capacity chart. See operator's manual for all limitations when raising or lowering attachment.
2. For recommended reeving, parts of line, wire rope type and wire rope inspection, see operator's manual and parts manual.
3. For lifting 250,000 lb. (113 400 kg) capacity, 12 part load hoist line (7/8" - 22.23 mm - dia., type "N" wire rope) is required.
4. Do not swing over side until all four outrigger beams are fully extended, all five jacks are extended until all tires are clear of the ground and machine is properly leveled on a firm supporting surface.
5. The least stable rated condition is over the side.
6. The jib cannot be used on a boom longer than 210' (64.01 m). For boom-jib combination see plate no. C4P0002.
7. Maximum boom length without jib is 240' (73.15 m).
8. These capacities apply only to the machine as originally manufactured and normally equipped by Link-Belt Construction Equipment Company.
9. Machine equipped with "A" or "AB" upper counterweight - do not swing over side until outriggers have been set.
10. Capacity columns headed "A + A" indicate 23,000 lb. (10 433 kg) "A" upper counterweight with 13,500 lb. (6 124 kg) "A" bumper counterweight.
11. Capacity columns headed "AB + A" indicate 42,330 lb. (19 201 kg) "AB" upper counterweight with 13,500 lb. (6 124 kg) "A" bumper counterweight.
12. Load ratings shown on this chart are based on freely suspended loads and make no allowance for such factors as the effect of wind, ground conditions and operating speeds. The operator therefore shall reduce load ratings in order to take these conditions into account.

Working Areas



Working Range



HC-228H Jib Capacities (U.S. units)

Boom - tubular:
70" wide, 62" deep with open throat top section, 1-3/8" pendants and boom live mast.

Jib - tubular; 36" wide, 30" deep.

Mounting - rubber tire
mobile base: Link-Belt; 8 x 4 drive, 260" wheelbase, 11' 0" wide.

Counterweights:
Ctwt. "A" upper - 23,000 lbs.
Ctwt. "AB" upper - 42,330 lbs.
Ctwt. "A" bumper - 13,500 lbs.

Length	Radius	Capacities on outriggers - 360° swing														
		30° jib			40° jib			50° jib			60° jib			70° jib		
		jib angles to boom (jib offset degrees)														
feet	0°	15°	30°	0°	15°	30°	0°	15°	30°	0°	15°	30°	0°	15°	30°	
50'	17	30,000*	-----	-----	-----	-----	-----	-----	-----	-----	-----	-----	-----	-----	-----	-----
	18	29,800*	-----	-----	-----	-----	-----	-----	-----	-----	-----	-----	-----	-----	-----	-----
	19	29,600*	-----	-----	26,700*	-----	-----	-----	-----	-----	-----	-----	-----	-----	-----	-----
	20	29,400*	-----	-----	26,500*	-----	-----	-----	-----	-----	-----	-----	-----	-----	-----	-----
	25	28,300*	26,400*	-----	25,600*	-----	-----	23,300*	-----	-----	-----	-----	21,200*	-----	-----	18,800*
	30	27,200*	25,400*	-----	24,700*	23,300*	-----	22,500*	-----	-----	-----	-----	20,500*	-----	-----	18,100*
	35	26,100*	24,300*	21,300*	23,800*	21,800*	-----	21,700*	20,400*	-----	-----	-----	19,800*	-----	-----	17,500*
	40	25,000*	23,300*	19,700*	22,700*	20,300*	17,000*	20,900*	18,800*	-----	-----	-----	19,100*	18,000*	-----	16,800*
	50	22,800*	20,500*	17,000*	19,500*	17,100*	14,500*	17,900*	15,300*	12,000*	17,100*	14,600*	-----	-----	-----	15,400*
	60	19,400*	16,700*	15,200*	16,300*	14,500*	12,000*	14,200*	12,000*	10,200*	13,500*	11,000*	8,400*	8,400*	11,000*	11,700*
	70	15,800*	15,300*	-----	13,500*	11,800*	10,900*	11,400*	10,100*	8,400*	9,700*	8,400*	7,100*	10,700*	9,000*	7,300*
80	-----	-----	-----	11,300*	10,600*	-----	9,300*	8,300*	7,500*	7,800*	7,000*	5,800*	7,900*	7,200*	6,000*	
90	-----	-----	-----	-----	-----	-----	7,800*	7,200*	-----	6,300*	5,800*	5,300*	6,600*	5,900*	4,800*	
100	-----	-----	-----	-----	-----	-----	-----	-----	-----	5,400*	5,100*	-----	5,100*	4,700*	4,300*	
110	-----	-----	-----	-----	-----	-----	-----	-----	-----	-----	-----	-----	4,400*	4,100*	-----	
70'	25	29,200*	-----	-----	26,300*	-----	-----	23,900*	-----	-----	-----	-----	-----	-----	-----	-----
	30	28,400*	26,200*	-----	25,600*	-----	-----	23,300*	-----	-----	-----	-----	21,100*	-----	-----	18,600*
	35	27,500*	25,400*	22,400*	24,900*	23,000*	-----	22,600*	-----	-----	-----	-----	20,500*	-----	-----	18,100*
	40	26,700*	24,500*	20,900*	24,200*	21,800*	-----	21,900*	20,100*	-----	-----	-----	19,900*	-----	-----	17,500*
	50	24,900*	22,800*	18,500*	22,300*	19,300*	15,800*	20,600*	17,300*	13,100*	18,700*	16,400*	-----	-----	-----	16,300*
	60	23,100*	20,600*	16,700*	19,700*	16,600*	13,900*	17,700*	14,400*	11,300*	16,700*	13,400*	9,100*	15,200*	13,100*	-----
	70	20,800*	17,600*	15,300*	16,900*	14,600*	11,900*	14,700*	11,900*	9,800*	13,600*	10,400*	8,000*	13,200*	11,000*	7,900*
	80	17,500*	15,700*	14,200*	14,700*	12,500*	11,100*	11,900*	10,300*	8,400*	10,500*	8,400*	6,800*	11,000*	8,700*	6,900*
	90	15,500*	15,000*	-----	12,200*	11,200*	-----	10,200*	8,600*	7,700*	8,300*	7,200*	5,800*	8,600*	7,300*	5,800*
	100	-----	-----	-----	11,000*	-----	-----	8,500*	7,800*	-----	7,100*	5,900*	5,400*	7,100*	6,100*	4,900*
	110	-----	-----	-----	-----	-----	-----	7,500*	-----	-----	5,800*	5,500*	-----	6,000*	4,900*	4,400*
120	-----	-----	-----	-----	-----	-----	-----	-----	-----	5,300*	-----	-----	4,800*	4,500*	-----	
130	-----	-----	-----	-----	-----	-----	-----	-----	-----	-----	-----	-----	4,300*	-----	-----	
90'	25	29,900*	-----	-----	-----	-----	-----	-----	-----	-----	-----	-----	-----	-----	-----	-----
	30	29,200*	-----	-----	26,200*	-----	-----	23,800*	-----	-----	-----	-----	21,500*	-----	-----	-----
	35	28,400*	26,000*	-----	25,600*	-----	-----	23,200*	-----	-----	-----	-----	21,000*	-----	-----	18,500*
	40	27,700*	25,400*	21,800*	25,000*	22,800*	-----	22,600*	20,800*	-----	-----	-----	20,500*	-----	-----	18,000*
	50	26,300*	24,000*	19,600*	23,800*	20,700*	16,600*	21,500*	18,700*	-----	-----	-----	19,400*	17,600*	-----	17,000*
	60	24,800*	22,600*	17,800*	22,000*	18,600*	15,100*	20,100*	16,300*	12,000*	18,400*	15,100*	10,300*	16,000*	14,200*	-----
	70	23,300*	20,600*	16,400*	19,800*	16,500*	13,400*	17,600*	13,800*	10,800*	16,300*	12,600*	8,500*	15,000*	12,300*	8,800*
	80	21,700*	18,200*	15,300*	17,400*	14,800*	11,900*	15,000*	11,800*	9,500*	13,700*	9,900*	7,600*	13,100*	10,400*	7,500*
	90	19,000*	15,900*	14,400*	15,400*	13,000*	11,200*	12,300*	10,500*	8,400*	11,000*	8,400*	6,700*	11,200*	8,500*	6,600*
	100	16,000*	15,400*	-----	13,500*	11,600*	10,400*	10,900*	9,100*	7,800*	8,700*	7,400*	5,800*	9,100*	7,300*	5,700*
	110	15,000	-----	-----	11,700*	10,800*	-----	9,400*	8,100*	7,100*	7,600*	6,300*	5,500*	7,500*	6,300*	4,900*
120	-----	-----	-----	10,700*	-----	-----	8,200*	7,400*	-----	6,500*	5,700*	5,100*	6,500*	5,300*	4,500*	
130	-----	-----	-----	-----	-----	-----	7,300*	-----	-----	5,700*	5,200*	-----	5,400*	4,700*	4,100*	
140	-----	-----	-----	-----	-----	-----	-----	-----	-----	5,100*	-----	-----	4,700*	4,300*	-----	
150	-----	-----	-----	-----	-----	-----	-----	-----	-----	-----	-----	-----	4,200*	-----	-----	
110'	30	29,700*	-----	-----	26,600*	-----	-----	-----	-----	-----	-----	-----	-----	-----	-----	-----
	35	29,100*	26,500*	-----	26,100*	-----	-----	23,700*	-----	-----	-----	-----	21,400*	-----	-----	18,900*
	40	28,500*	25,900*	-----	25,600*	-----	-----	23,200*	-----	-----	-----	-----	21,000*	-----	-----	18,400*
	50	27,300*	24,800*	20,400*	24,500*	21,800*	17,100*	22,200*	19,800*	-----	-----	-----	20,000*	18,200*	-----	17,500*
	60	26,000*	23,600*	18,800*	23,500*	20,000*	15,700*	21,200*	17,700*	12,600*	19,100*	16,400*	-----	-----	-----	16,700*
	70	24,800*	22,400*	17,400*	21,700*	18,100*	14,500*	19,700*	15,600*	11,500*	18,100*	14,200*	8,900*	15,800*	13,400*	9,500*
	80	23,500	20,700*	16,300*	19,800*	16,300*	13,100*	17,500*	13,300*	10,400*	16,100*	11,900*	8,200*	14,700*	11,700*	7,900*
	90	19,800	18,600*	15,300*	17,800*	14,900*	11,800*	15,200*	11,700*	9,300*	13,800*	9,600*	7,400*	13,100*	10,000*	7,200*
	100	16,900	16,400*	14,600*	16,000*	13,300*	11,300*	12,800*	10,600*	8,400*	11,400*	8,300*	6,500*	11,300*	8,300*	6,400*
	110	14,500	14,800	-----	14,300*	11,900*	10,600*	11,400*	9,400*	7,900*	8,900*	7,500*	5,800*	9,500*	7,300*	5,600*
	120	12,600	12,800	-----	12,500*	11,200*	-----	10,100*	8,400*	7,300*	8,000*	6,600*	5,500*	7,800*	6,500*	4,900*
130	11,000	-----	-----	11,200	10,400*	-----	8,700*	7,800*	-----	7,100*	5,800*	5,200*	6,900*	5,600*	4,600*	
140	-----	-----	-----	9,800	-----	-----	7,900*	7,100*	-----	6,000*	5,500*	-----	6,000*	4,900*	4,200*	
150	-----	-----	-----	-----	-----	-----	7,100*	-----	-----	5,500*	5,000*	-----	5,000*	4,500*	-----	
160	-----	-----	-----	-----	-----	-----	-----	-----	-----	5,000*	-----	-----	4,600*	4,100*	-----	
170	-----	-----	-----	-----	-----	-----	-----	-----	-----	-----	-----	-----	4,100*	-----	-----	

Caution: This material is for reference only. Operator must refer to in-cab capacity plate to determine allowable machine lifting capacities and operating procedures.

GENERAL INFORMATION ONLY

HC-228H Jib Capacities (U.S. units) con't

Boom - tubular:
70" wide, 62" deep with open throat top section, 1-3/8" pendants and boom live mast.

Jib - tubular; 36" wide, 30" deep.

Mounting - rubber tire mobile base: Link-Belt; 8 x 4 drive, 260" wheelbase, 11' 0" wide.

Counterweights:
Cwt. "A" upper - 23,000 lbs.
Cwt. "AB" upper - 42,330 lbs.
Cwt. "A" bumper - 13,500 lbs.

Length	Radius	Capacities on outriggers - 360° swing														
		30' jib			40' jib			50' jib			60' jib			70' jib		
		jib angles to boom (jib offset degrees)														
		feet	0°	15°	30°	0°	15°	30°	0°	15°	30°	0°	15°	30°	0°	15°
130'	35	29,600*	-----	-----	26,500*	-----	-----	24,000*	-----	-----	-----	-----	-----	-----	-----	-----
	40	29,100*	26,400*	-----	26,100*	-----	-----	23,600*	-----	-----	-----	-----	-----	21,300*	-----	-----
	50	28,000*	25,400*	21,100*	25,100*	22,600*	-----	22,700*	20,600*	-----	-----	-----	-----	20,500*	-----	18,000*
	60	26,900*	24,300*	19,500*	24,200*	21,000*	16,200*	21,800*	18,700*	13,500*	-----	-----	-----	19,700*	17,300*	-----
	70	25,800*	23,300*	18,200*	23,200*	19,400*	15,100*	20,900*	16,900*	12,000*	18,800*	15,400*	9,900*	16,400*	14,200*	-----
	80	22,900*	22,200*	17,100*	21,600*	17,700*	14,100*	19,400*	15,000*	11,100*	17,400*	13,400*	8,600*	15,500*	12,700*	8,700*
	90	19,300*	19,800*	16,200*	19,500*	16,200*	12,900*	17,400*	13,000*	10,100*	15,900*	11,400*	7,900*	14,100*	11,300*	7,600*
	100	16,400*	16,800*	15,400*	16,500*	14,900*	11,800*	15,400*	11,700*	9,200*	13,800*	9,300*	7,200*	12,900*	9,700*	6,900*
	110	14,000*	14,300*	14,600*	14,200*	13,600*	11,300*	13,300*	10,700*	8,400*	11,700*	8,300*	6,400*	11,500*	8,200*	6,200*
	120	12,100*	12,300*	12,500*	12,300*	12,200*	10,800*	11,700*	9,700*	7,900*	9,500*	7,600*	5,800*	9,800*	7,300*	5,500*
	130	10,500*	10,700*	-----	10,600*	11,000*	-----	10,700*	8,600*	7,400*	8,300*	6,800*	5,600*	8,200*	6,600*	4,900*
	140	9,100*	9,300*	-----	9,300*	9,500*	-----	9,400*	8,000*	-----	7,500*	5,900*	5,300*	7,300*	5,800*	4,600*
	150	7,900*	-----	-----	8,100*	-----	-----	8,300*	7,500*	-----	6,600*	5,600*	-----	6,500*	5,000*	4,300*
	160	-----	-----	-----	7,100*	-----	-----	7,200*	-----	-----	5,800*	5,300*	-----	5,600*	4,700*	4,000*
	170	-----	-----	-----	-----	-----	-----	6,400*	-----	-----	5,400*	-----	-----	4,800*	4,300*	-----
180	-----	-----	-----	-----	-----	-----	-----	-----	-----	5,000*	-----	-----	-----	4,500*	-----	
190	-----	-----	-----	-----	-----	-----	-----	-----	-----	-----	-----	-----	-----	4,000*	-----	
150'	35	29,900*	-----	-----	-----	-----	-----	-----	-----	-----	-----	-----	-----	-----	-----	-----
	40	29,500*	-----	-----	26,400*	-----	-----	23,900*	-----	-----	-----	-----	-----	21,600*	-----	-----
	50	28,500*	25,800*	21,700*	25,600*	23,200*	-----	23,100*	-----	-----	-----	-----	-----	20,900*	-----	18,300*
	60	27,600*	24,900*	20,200*	24,800*	21,800*	16,700*	22,300*	19,600*	-----	-----	-----	-----	20,100*	18,000*	-----
	70	26,600*	24,000*	18,900*	23,900*	20,400*	15,600*	21,500*	17,900*	12,400*	19,300*	16,400*	10,600*	16,900*	14,800*	-----
	80	22,400*	23,000*	17,800*	22,500*	18,900*	14,700*	20,200*	16,200*	11,600*	17,900*	14,600*	8,900*	16,000*	13,500*	9,200*
	90	18,800*	19,300*	16,900*	18,900*	17,400*	13,800*	18,600*	14,500*	10,700*	16,300*	12,800*	8,300*	14,500*	12,200*	7,900*
	100	15,800*	16,300*	16,100*	16,000*	16,100*	12,700*	16,100*	12,700*	9,900*	15,000*	11,000*	7,700*	13,200*	10,900*	7,300*
	110	13,400*	13,800*	14,200*	13,600*	14,100*	11,800*	13,800*	11,700*	9,000*	13,800*	9,100*	7,000*	12,100*	9,500*	6,700*
	120	11,500*	11,800*	12,100*	11,700*	12,100*	11,400*	11,800*	10,800*	8,400*	11,900*	8,300*	6,300*	11,100*	8,000*	6,100*
	130	9,900*	10,200*	10,400*	10,100*	10,500*	10,800*	10,200*	9,900*	8,000*	9,900*	7,700*	5,800*	10,100*	7,400*	5,400*
	140	8,500*	8,800*	-----	8,700*	9,000*	9,300*	8,800*	8,900*	7,500*	8,600*	7,000*	5,600*	8,600*	6,700*	4,900*
	150	7,400*	7,600*	-----	7,500*	7,800*	-----	7,700*	8,000*	7,100*	7,800*	6,200*	5,300*	7,500*	6,000*	4,600*
	160	6,300*	-----	-----	6,500*	6,700*	-----	6,700*	7,000*	-----	6,800*	5,800*	5,100*	6,800*	5,300*	4,400*
	170	5,500*	-----	-----	5,600*	-----	-----	5,800*	6,000*	-----	5,900*	5,500*	-----	6,000*	4,800*	4,100*
180	-----	-----	-----	-----	-----	-----	5,000*	-----	-----	5,100*	5,200*	-----	5,200*	4,500*	-----	
190	-----	-----	-----	-----	-----	-----	-----	-----	-----	4,400*	-----	-----	-----	4,500*	-----	
200	-----	-----	-----	-----	-----	-----	-----	-----	-----	-----	-----	-----	3,900*	-----	-----	
170'	40	29,800*	-----	-----	26,700*	-----	-----	-----	-----	-----	-----	-----	-----	-----	-----	-----
	50	29,000*	26,200*	-----	26,000*	23,500*	-----	23,400*	-----	-----	-----	-----	-----	21,200*	-----	18,600*
	60	28,100*	25,400*	-----	25,200*	22,400*	17,100*	22,700*	-----	-----	-----	-----	-----	20,500*	18,300*	-----
	70	26,900*	24,500*	19,500*	24,400*	21,100*	16,000*	22,000*	18,700*	13,100*	19,800*	17,200*	-----	17,300*	15,200*	-----
	80	22,000*	22,500*	18,400*	22,200*	19,800*	15,200*	20,500*	17,200*	12,000*	18,100*	15,600*	9,600*	16,200*	14,200*	9,500*
	90	18,200*	18,800*	17,500*	18,400*	18,500*	14,400*	18,500*	15,700*	11,200*	16,600*	14,000*	8,600*	14,800*	13,000*	8,500*
	100	15,200*	15,800*	16,200*	15,400*	16,100*	13,600*	15,600*	14,100*	10,500*	15,300*	12,300*	8,100*	13,500*	11,800*	7,700*
	110	12,900*	13,300*	13,700*	13,000*	13,600*	12,600*	13,200*	12,500*	9,700*	13,300*	10,600*	7,500*	12,400*	10,500*	7,100*
	120	10,900*	11,300*	11,600*	11,100*	11,600*	11,800*	11,200*	11,600*	8,900*	11,300*	8,900*	6,900*	11,400*	9,300*	6,600*
	130	9,300*	9,700*	9,900*	9,500*	9,900*	10,300*	9,600*	10,200*	8,400*	9,700*	8,300*	6,300*	9,800*	7,900*	6,000*
	140	8,000*	8,300*	8,500*	8,100*	8,500*	8,800*	8,300*	8,800*	8,000*	8,400*	7,700*	5,800*	8,400*	7,400*	5,400*
	150	6,800*	7,000*	-----	6,900*	7,300*	7,600*	7,100*	7,500*	7,600*	7,200*	7,100*	5,600*	7,300*	6,800*	4,900*
	160	5,800*	6,000*	-----	5,900*	6,200*	-----	6,100*	6,500*	6,700*	6,200*	6,400*	5,400*	6,200*	6,100*	4,600*
	170	4,900*	5,100*	-----	5,000*	5,300*	-----	5,200*	5,500*	-----	5,300*	5,700*	5,100*	5,400*	5,500*	4,000*
	180	4,100*	-----	-----	4,300*	4,500*	-----	4,400*	4,700*	-----	4,500*	4,900*	-----	4,600*	4,900*	3,600*
190	-----	-----	-----	3,600*	-----	-----	3,700*	3,900*	-----	3,800*	4,100*	-----	3,900*	4,300*	-----	
200	-----	-----	-----	-----	-----	-----	3,100*	-----	-----	3,200*	3,400*	-----	3,300*	3,600*	-----	
210	-----	-----	-----	-----	-----	-----	-----	-----	-----	2,600*	-----	-----	-----	2,700*	-----	
220	-----	-----	-----	-----	-----	-----	-----	-----	-----	-----	-----	-----	2,200*	-----	-----	

HC-228H Jib Capacities (U.S. units) con't

GENERAL INFORMATION ONLY

Length	Radius feet	Capacities on outriggers - 360° swing														
		30' jib			40' jib			50' jib			60' jib			70' jib		
		jib angles to boom (jib offset degrees)														
	0°	15°	30°	0°	15°	30°	0°	15°	30°	0°	15°	30°	0°	15°	30°	
190'	50	29,300*	26,500*	-----	26,300*	-----	-----	23,700*	-----	-----	21,400*	-----	-----	18,800*	-----	-----
	60	28,600*	25,700*	21,200*	25,600*	22,900*	-----	23,100*	20,700*	-----	20,800*	-----	-----	18,200*	-----	-----
	70	26,300	25,000*	20,000*	24,900*	21,800*	16,400*	22,400*	19,400*	13,600*	19,800*	17,400*	-----	17,600*	15,400*	-----
	80	21,500	22,300	19,000*	21,700	20,600*	15,600*	20,500*	18,100*	12,300*	18,200*	16,100*	10,200*	16,300*	14,300*	-----
	90	17,700	18,300	18,100*	17,800	18,700	14,800*	18,000	16,700*	11,600*	16,700*	14,900*	8,900*	14,900*	13,200*	9,100*
	100	14,700	15,300	15,800	14,800	15,600	14,100*	15,000	15,200*	11,000*	15,100	13,400*	8,400*	13,600*	12,200*	7,900*
	110	12,300	12,800	13,200	12,500	13,100	13,400*	12,600	13,400	10,300*	12,700	11,900*	7,900*	12,500*	11,300*	7,400*
	120	10,400	10,800	11,200	10,500	11,100	11,600	10,600	11,400	9,600*	10,800	10,300*	7,300*	10,800	10,200*	6,800*
	130	8,700	9,100	9,400	8,900	9,400	9,900	9,000	9,700	8,800*	9,100	8,900*	6,800*	9,200	9,100*	6,000*
	140	7,400	7,700	8,000	7,500	8,000	8,400	7,700	8,200	8,000*	7,800	8,300*	6,200*	7,800	7,700*	5,300*
	150	6,200	6,500	6,700	6,400	6,800	7,100	6,500	7,000	7,200*	6,800	7,200	5,700*	6,700	7,400*	4,600*
	160	5,200	5,400	5,600	5,300	5,700	6,000	5,500	5,900	6,300	5,600	6,100	5,100*	5,600	6,300	4,000*
	170	4,300	4,500	-----	4,400	4,800	5,000	4,600	5,000	5,300	4,700	5,200	4,600*	4,700	5,300	3,600*
180	3,500	3,700	-----	3,700	3,900	-----	3,800	4,100	-----	3,900	4,300	4,000*	4,000	4,500	3,300*	
190	2,800	3,000	-----	3,000	3,200	-----	3,100	3,400	-----	3,200	3,600	3,700*	3,300	3,700	2,900*	
200	2,200	-----	-----	2,300	-----	-----	2,500	2,700	-----	2,600	2,900	-----	2,600	3,100	2,700*	
210	-----	-----	-----	-----	-----	-----	-----	-----	-----	2,000	2,300	-----	2,100	2,400	-----	
210'	50	29,600*	-----	-----	26,500*	-----	-----	24,000*	-----	-----	21,600*	-----	-----	-----	-----	
	60	28,900*	26,000*	21,600*	25,900*	23,300*	-----	23,400*	-----	-----	21,100*	-----	-----	18,500*	-----	
	70	25,800	25,300*	20,500*	25,300*	22,300*	16,700*	22,700*	19,500*	-----	19,600*	17,200*	-----	17,700*	15,400*	
	80	20,900	21,800	19,500*	21,100	21,000*	15,900*	20,200*	18,200*	12,800*	18,000*	16,000*	10,800*	16,200*	14,200*	
	90	17,100	17,900	18,500	17,300	18,300	15,200*	17,400	17,000*	12,000*	16,500*	14,800*	9,400*	14,800*	13,100*	
	100	14,100	14,800	15,300	14,300	15,100	14,100*	14,400	15,500	11,400*	14,500	13,800*	8,600*	13,500*	12,100*	
	110	11,700	12,300	12,800	11,900	12,600	12,400*	12,000	12,900	10,200*	12,100	12,400*	8,200*	12,200	10,900*	
	120	9,800	10,300	10,700	9,900	10,600	11,000*	10,100	10,900	9,000*	10,200	11,000*	7,400*	10,200	9,700*	
	130	8,200	8,600	9,000	8,300	8,900	9,400	8,400	9,200	7,900*	8,500	9,400	6,500*	8,600	8,500*	
	140	6,800	7,200	7,500	6,900	7,500	7,900	7,100	7,700	7,100*	7,200	7,900	5,700*	7,200	7,600*	
	150	5,600	6,000	6,200	5,800	6,200	6,600	5,900	6,500	6,300*	6,000	6,700	5,000*	6,100	6,800*	
	160	4,600	4,900	5,100	4,700	5,200	5,500	4,900	5,400	5,600*	5,000	5,600	4,500*	5,000	5,800	
	170	3,700	4,000	4,200	3,800	4,200	4,500	4,000	4,400	4,800	4,100	4,600	4,000*	4,100	4,800	
180	2,900	3,100	-----	3,100	3,400	3,600	3,200	3,600	3,900	3,300	3,800	3,600*	3,300	4,000		
190	2,200	2,400	-----	2,400	2,600	-----	2,500	2,800	3,100	2,600	3,000	3,300*	2,600	3,200		
200	-----	-----	-----	-----	-----	-----	-----	-----	-----	-----	-----	-----	2,000	2,500		

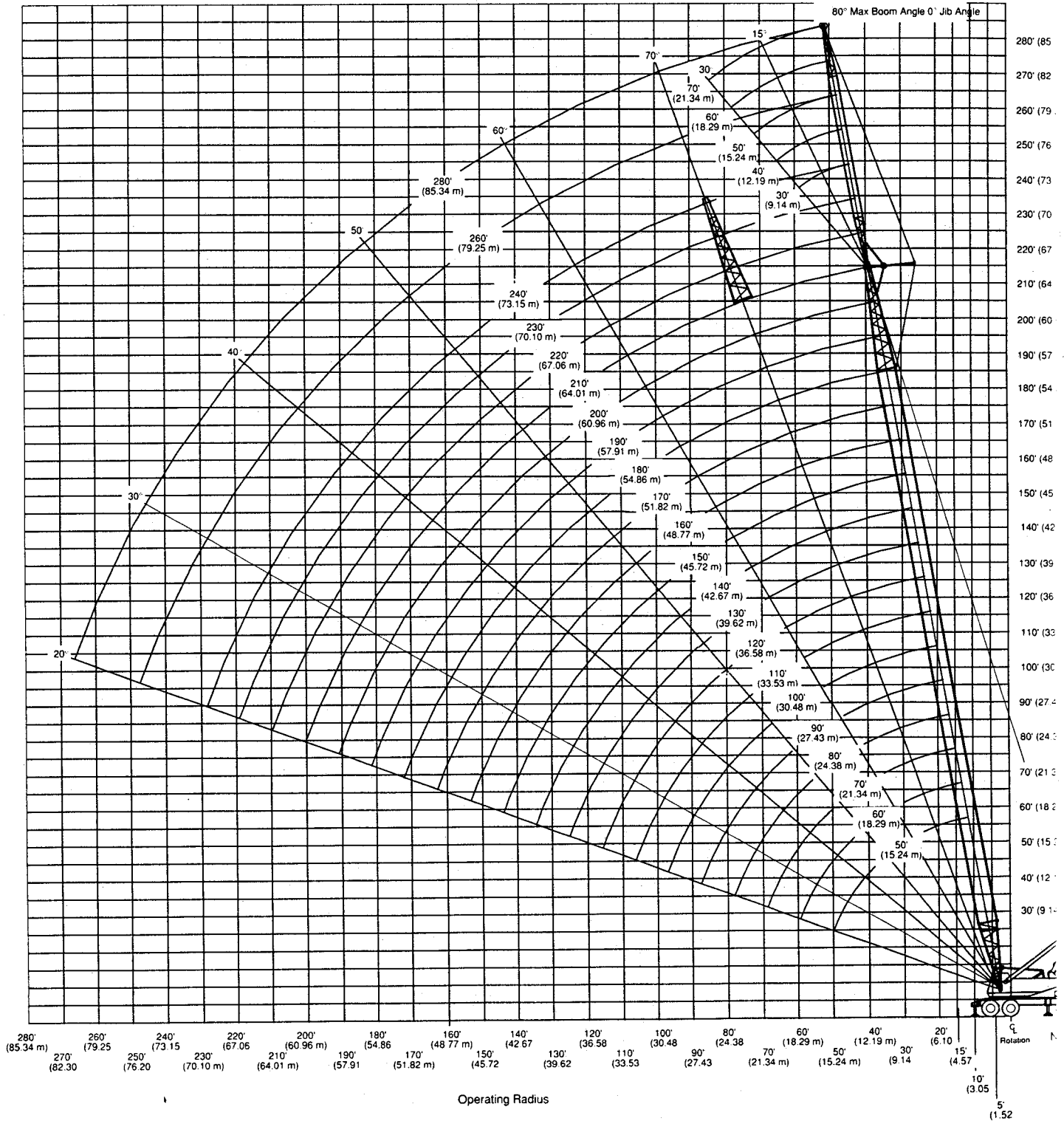
Jib Capacity

Notes:

- Capacities are shown in pounds and are the maximum allowable. Capacities are based on machine standing level on firm supporting surface under ideal job conditions. Capacities are not more than 85% of the tipping loads unless marked with an asterisk (*).
 - Asterisk indicates capacities are based on factors other than those which would cause a tipping condition.
- Capacities are for 360° swing on five outrigger jacks.
- Capacities are limited to a Link-Belt 62" x 70" open throat tubular boom, live mast and a Link-Belt 15 ton, 30" x 36" cross section jib with a 12' 7-5/8" high jib strut properly assembled.
- Do not swing over side until all four outrigger beams are fully extended, all five jacks are extended, until all tires are clear of the ground and machine is properly leveled on a firm supporting surface.
- Two parts of 7/8" diameter type "N" or "RB" wire rope is required for maximum lift.
- Capacities are for 30', 40', 50', 60' and 70' jib lengths only.
- A jib cannot be used on the open throat boom that is longer than 210'.
- The least stable condition is over the side.
- A deduction must be made from the jib capacities for weight of hook block, hook, sling, grapple, load weighing devices, etc.
- When using main hook, while jib is attached, reduce boom capacities by the following values:
 - 30' jib - 2,200 lbs.
 - 40' jib - 2,500 lbs.
 - 50' jib - 2,900 lbs.
 - 60' jib - 3,200 lbs.
 - 70' jib - 3,500 lbs.
- Refer to all notes on applicable lifting crane capacity chart in addition to these notes.
- Capacities apply only to the machine as originally manufactured and normally equipped by Link-Belt Construction Equipment Company.

GENERAL INFORMATION ONLY

Working Range



GENERAL INFORMATION ONLY

Link-Belt Construction Equipment Company Lexington, Kentucky

We are constantly improving our products and therefore reserve the right to change designs and specifications.

© Link-Belt is a registered trademark. Copyright 1991. All rights reserved.

A unit of Sumitomo Construction Machinery Co., Ltd.

Link-Belt

CONSTRUCTION EQUIPMENT

HC-228H maximum allowable open throat capacities on tires straight over the rear and 360°.

Capacities are for a crane on L-B 260" W.B. carrier and equipped with 1-3/8" diameter pendants, and 62" x 70" tubular boom. Refer to all notes at bottom.

Serial Number

WARNING AND OPERATING INSTRUCTIONS
READ AND UNDERSTAND THESE OPERATING INSTRUCTIONS AND THE CHART VALUES BEFORE OPERATING CRANE OPERATION WHICH DOES NOT FOLLOW THESE INSTRUCTIONS MAY RESULT IN AN ACCIDENT.

GENERAL:

- Rated lifting capacities in pounds as shown on lift chart pertain to this machine as originally manufactured and normally equipped. Modifications to the machine or use of optional equipment other than that specified can result in a reduction of capacity.
- Construction equipment can be dangerous if improperly operated or maintained. Operation and maintenance of this machine must be in compliance with the information in the operator's parts and safety manuals supplied with this machine. If these manuals are missing, order replacements through the distributor.
- The operator and other personnel associated with this machine shall fully acquaint themselves with the latest applicable American National Standards Institute (ANSI) safety standards for cranes.

- Capacities shown are in pounds and are not more than 75% of the tipping loads with machine standing level on firm supporting surface. A deduction must be made from these capacities for weight of hook block, hook, sling, grapple, load weighing devices, etc. When using main hook while jib is attached reduce capacities by values shown on jib capacity chart. See operator's manual for all limitations when raising or lowering attachment.
- Indicates these capacities are based on factors other than those which would cause a tipping condition.

BOOM			CAPACITIES			
Lgth.	Rad. Angle	Dynamic Straight Over The Rear 1 MPH Max. A + A	Cwt. AB + A	Cwt. A + A	Static On Tires	
					O + O	360°
50'	12°	79.6°	112,800*	110,900*	—	—
	14°	77.2°	105,300*	103,500*	—	—
	15°	76.1°	101,200*	100,200*	—	—
	16°	74.9°	92,600*	97,000*	32,200	81,600
	17°	73.7°	85,400*	94,100*	29,400	85,300
	18°	72.5°	78,200*	88,800*	26,600	85,700
	19°	71.3°	73,700*	84,800*	24,800	84,300
	20°	70.1°	68,900*	85,400*	23,000	84,000
	21°	68.8°	61,200*	84,400*	21,400	83,100
	35°	50.1°	33,400*	43,400*	11,600	38,900
40°	42.2°	28,500*	35,900*	7,600	32,900	
50°	19.8°	21,300	27,100	4,800	12,500	
60'	14°	78.4°	104,900*	103,000*	—	—
	15°	78.4°	101,400*	99,700*	—	—
	16°	78.4°	98,500*	96,500*	—	—
	17°	76.5°	85,500*	93,700*	—	—
	18°	75.5°	79,200*	90,900*	27,100	82,200
	19°	74.5°	73,800*	88,400*	25,000	84,400
	20°	73.5°	69,000*	85,900*	23,100	85,100
	21°	72.5°	64,800*	83,500*	21,500	84,000
	35°	57.5°	33,900*	41,200*	12,500	35,900
	40°	51.9°	28,600*	36,000*	9,700	31,000
70'	15°	78.4°	101,400*	99,700*	—	—
	16°	78.4°	98,500*	96,500*	—	—
	17°	76.5°	85,500*	93,700*	—	—
	18°	75.5°	79,200*	90,900*	27,100	82,200
	19°	74.5°	73,800*	88,400*	25,000	84,400
	20°	73.5°	69,000*	85,900*	23,100	85,100
	21°	72.5°	64,800*	83,500*	21,500	84,000
	35°	57.5°	33,900*	41,200*	12,500	35,900
	40°	51.9°	28,600*	36,000*	9,700	31,000
	50°	38.4°	21,300	27,100	5,000	24,800
80'	17°	78.4°	92,500*	90,700*	—	—
	18°	78.4°	89,200*	87,500*	—	—
	19°	76.7°	74,300*	82,200*	—	—
	20°	75.5°	68,800*	77,000*	—	—
	21°	74.5°	64,500*	73,700*	—	—
	30°	67.3°	41,500*	51,400*	12,800	45,300
	35°	59.0°	34,100*	42,700*	10,000	38,200
	40°	53.0°	28,800*	36,200*	8,000	32,800
	50°	35.4°	19,900*	27,700*	3,400	23,500
	60°	25.4°	13,500*	17,600*	2,000	16,300
90'	17°	78.3°	86,100*	84,300*	—	—
	18°	78.3°	82,800*	81,000*	—	—
	19°	76.4°	68,900*	76,700*	—	—
	20°	75.0°	64,700*	72,500*	—	—
	21°	74.0°	60,500*	68,300*	—	—
	30°	70.2°	41,800*	51,500*	16,900	45,700
	35°	66.4°	34,000*	42,900*	13,800	38,200
	40°	62.4°	28,700*	36,100*	9,900	32,800
	50°	46.8°	21,600*	27,800*	5,900	25,700
	60°	33.1°	16,800*	21,600*	3,300	19,500
80°	15.6°	11,000*	14,500*	—	—	

- For recommended reeving, parts of line, wire rope type, and wire rope inspection, see operator's manual and parts manual.
- Machine with "A" upper counterweight — Do not swing over side until "A" bumper counterweight and both front and rear outrigger box assemblies are installed correctly.
- Machine with "AB" upper counterweight — Do not swing over side until all four outrigger beams are fully extended, all five jacks are extended until all tires are clear of the ground and machine is properly leveled on a firm supporting surface.
- The least stable rated condition is over the side.
- Machine carrier must be equipped with both front and rear outrigger box assemblies.
- Dynamic capacities are restricted to a maximum travel speed of 1 mph. The boom must be centered straight over the rear with swing lock engaged and the load must be restrained from swinging.
- Machine to be equipped with 1024 AG rims on rear axles. Rim identification number can be found on inside diameter of rims.
- Capacity columns headed "O + O" indicate no upper cwt. with no bumper cwt.
- Capacity columns headed "A + A" indicate 23,000# "A" upper cwt. with 13,500# "A" bumper cwt.
- Capacity columns headed "AB + A" indicate 42,330# "AB" upper cwt. with 13,500# "A" bumper cwt.
- Load ratings shown on this chart are based on freely suspended loads and make no allowance for such factors as the effect of wind, ground conditions and operating speeds. The operator therefore shall reduce load ratings in order to take these conditions into account.
- These capacities apply only to the machine as originally manufactured and normally equipped by Link-Belt Construction Equipment Co.

GENERAL INFORMATION ONLY

Link-Belt Construction Equipment Company Lexington, Kentucky