

models **M-26** ■ **60-26** ■
M-21-8 ■ **60-18** ■
PC-16 ■ **110-26** ■
PC-20 ■ **110-35** ■

features

- **Twin and Single elevate cylinder design reduces weight and provides increased load clearance**
- **Proven pistol grip radio remote and patented SHOCK GUARD® pneumatic system provide dual control**
- **Box-type boom constructed of high strength steel for increased strength to weight ratio**
- **Continuous boom rotation with high torque 30:1 reduction gear box and ball bearing ring gear**
- **Low pressure, open centered hydraulic valves increase reliability and reduce hydraulic maintenance**
- **Flow divider allows the JIFFY-LIFT™ and SIDE-O-MATIC™ to perform several functions simultaneously and efficiently**
- **Pilot-operated load holding valves on all cylinders prevent accidental load fall should a hydraulic line burst**
- **Hydraulic outrigger options for increased stability**
- **Designed for truck or trailer installation**
- **Wide variety of factory approved forks and lifting devices available**
- **Optional bearing risers provide increased load clearance under boom**



USTC™

product guide

contents

Specifications	2
Outline Dimensions M-26 & M-21-8	3
Outline Dimensions PC-16 & PC-20 C	4
Outline Dimensions 60-26	5
Outline Dimensions 60-18	6
Outline Dimensions 110-26 & 110-35 E	7
UPTIME	8

specifications

2

Upperworks

Boom

M-26 E/C – 28' 2" overall length. 24' with hook out and 38" with hook in. Boom extension radius of 25' 4".

M-21-8 E/C – 26' 1" overall length. 21' with hook out and 38" with hook in. Boom extension radius of 22' 8".

PC-16 E/C – 26' 1" overall length. 22' with hook out and 57" with hook in (**PC-16 E** only) or 55" with hook in (**PC-16 C** only). Boom extension radius of 23' 11".

PC-20 C – 26' 1" overall length. 22' with hook out and 55" with hook in. Boom extension radius of 23' 11".

60-26 E/C – 25' 7.8" overall length. 20' 7" with hook out and 7.5" with hook in. Boom extension radius of 23'.6".

60-18 E/C – 20' 8" overall length. 17' 2" with hook out and 34" with hook in (**60-18 E** only) or 32" with hook in (**60-18 C** only). Boom extension radius of 18'.

110-26 E – 17' 2" overall retracted length. 25' 3" with hook out, and 14" with hook in. Boom extension radius of 26'.

110-35 E – 22' 3" overall retracted length. 34' 2" with hook out, and 14" with hook in. Boom extension radius of 35'.

Mechanisms

Trolley Systems – USTC's **M-21-8**, **M-26**, **60-26**, & **PC** series fixed length booms offer smooth and fast trolley operation. Straight trolley boom design allows easy operation of all functions.

The **110-26 E** & **110-35 E** three-section telescoping trolley booms are ideal for unloading with hook travel to within 14 inches of the pedestal without elevation.

USTC's **60-18** reciprocating trolley boom is the fastest unloader available today, offering efficient non-elevating trolley operation.

Outriggers

Outriggers – Optional A-Frame or Out/Down hydraulic outriggers for increased stability.

Mounting

Trailer or Truck Mounted – Trailer mounted unloaders utilize our "Classic" Pedestal/Base, and require only 24" (609 mm) of above deck load space. This "Classic" pedestal sits on top of the deck, and bolts to the trailers frame rails.

Electrical System

Engine – Trailer mounted units can be self-powered or PTO powered, with a wet-line kit. An 18 horsepower auxiliary gas engine is an option to PTO operation. All service parts are above the deck where they are easily accessed.

Control System

Dual remote control systems assure optimum "up-time" and provides operator protection against electrical hazards.

Unloader Safety Devices:

1. The hydraulic system incorporates such features as integral load holding valves for each cylinder, system relief valving, and those unloaders with winches (Versatel® and Powerlift series—only) have a planetary reduction driven winch with a fully automatic static braking system.
2. The patented SHOCKGUARD® Pneumatic Remote Control System, allows the operator to follow the load, while providing protection against electrical hazards. Troubleshooting and field service are simplified due to the low-tech nature of the SHOCKGUARD® system.

General

Service Network – Throughout North America our customers are supported by our extensive distributor sales and service network.

Options – Available options include a radio remote and a wide variety of hooks, pipe handling forks, highway barrier clamps, risers, power packs, anti-two blocking devices, auxiliary stabilizers, and more.

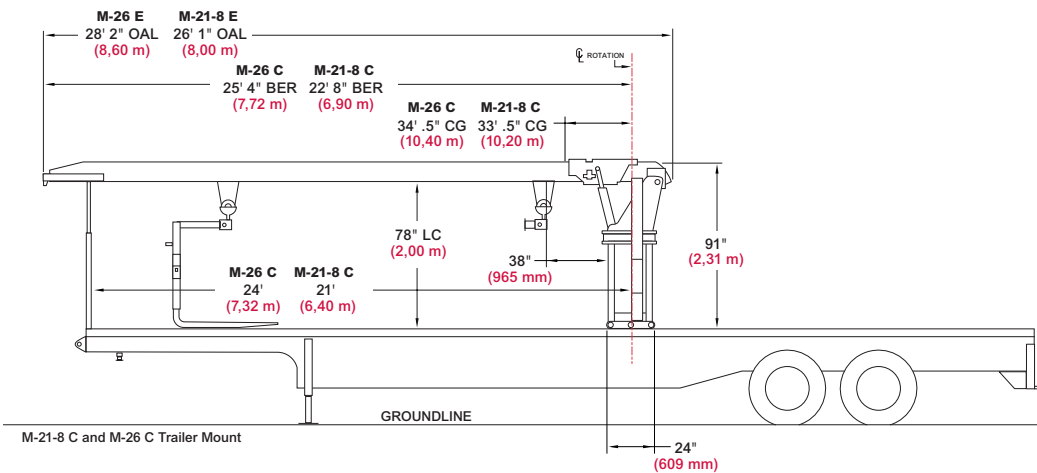
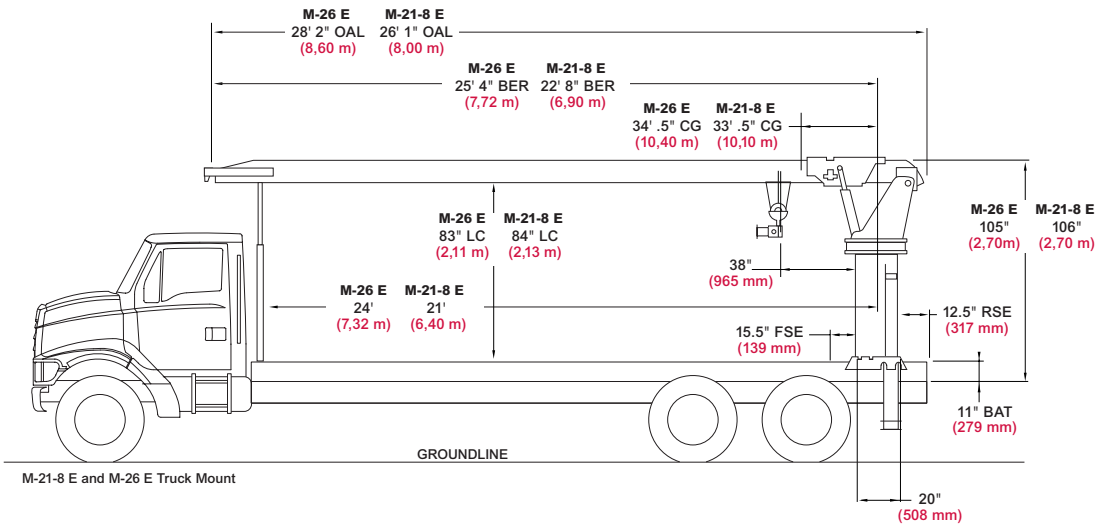
Warranty – 12 month warranty covers parts and labor resulting from defects in material workmanship.

Warning

1. The operator must read and understand the owner's manual before operating any unloader.
2. Positioning or operation beyond areas shown is not intended or approved except where specified in owner's manual.
3. Practical working loads depend on supporting surface, wind, and other factors affecting stability such as hazardous surroundings, experience of personnel, and proper handling, all of which must be taken into account by the operator.

outline dimensions

3



Chassis Data

Standard Specifications	M-26 E/C	M-21-8 E/C
Maximum Lift Capacity at 15' (4,57 m)*	-	8,000 lb (3 628 kg)
Maximum Lift Capacity at 21' (6,40 m)*	-	6,000 lb (2 721 kg)
Maximum Lift Capacity at 24' (7,32 m)*	4,000 lb (1 814 kg)	-
Cable Payout from Trolley	19' 11" (6,10 m)	19' 5.5" (5,93 m)
Elevation	60°	50°
Rotation	Continuous 1 rpm	Continuous 1 rpm
Minimum Frame Required	1.7 rbm	1.7 rbm

* Less Attachment Weight

- OAH Overall Height
- BER Boom Extension Radius
- LC Load Clearance
- FSE Front Stinger Extension
- RSE Rear Stinger Extension
- BAT Bed Assembly Thickness
- CG Center of Gravity from Center Line of Rotation

Weights

	M-26 E	M-26 C	M-21-8 E	M-21-8 C
Basic Unit (includes outrigger weight)	4,960 lb (2 249 kg)	6,600 lb (2 993 kg)	4,520 lb (2 050 kg)	6,470 lb (2 934 kg)
AS-6 A-Frame Outrigger	1,500 lb (680 kg)	-	1,500 lb (680 kg)	-
HS-6 Drop Down Outrigger	630 lb (285 kg)	-	630 lb (285 kg)	-

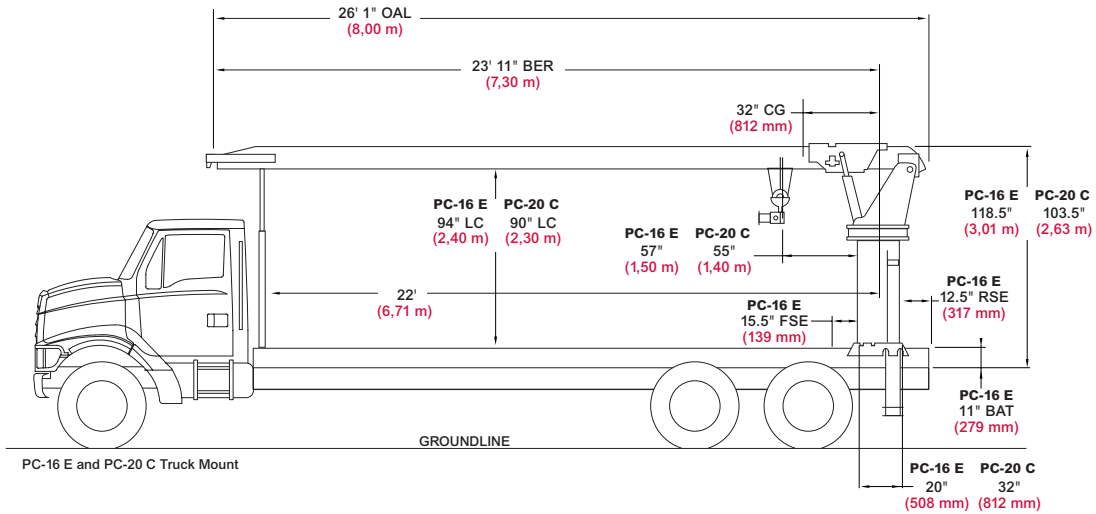
Hydraulic System

	M-26 E	M-26 C	M-21-8 E	M-21-8 C
Pump Flow	24 gpm (90 lpm)	12 gpm (45 lpm)	24 gpm (90 lpm)	12 gpm (45 lpm)
Recommended Truck Engine Speed	1,200 rpm	1,200 rpm	1,200 rpm	1,200 rpm
Operating Pressure	2,000 psi (13 789 kPa)	2,000 psi (13 789 kPa)	2,000 psi (13 789 kPa)	2,000 psi (13 789 kPa)

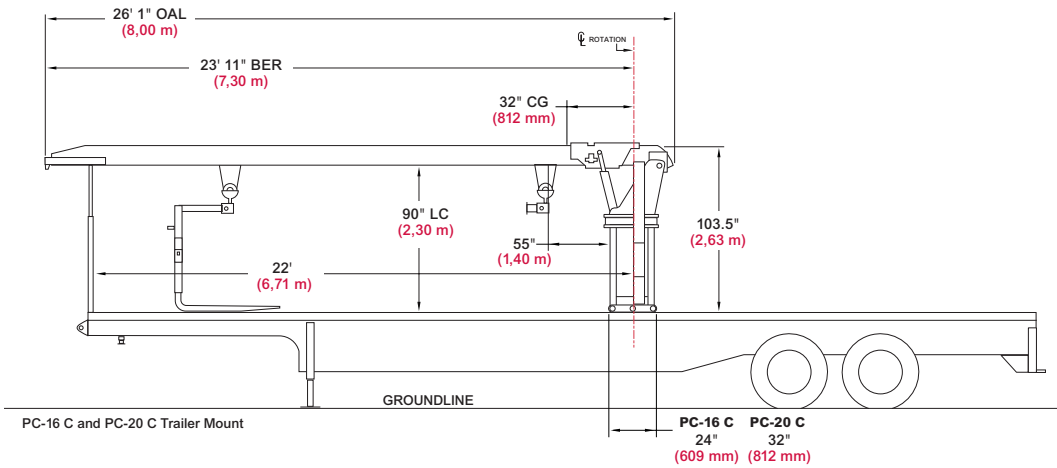
model M-26 & M-21-8

outline dimensions

4



PC-16 E and PC-20 C Truck Mount



PC-16 C and PC-20 C Trailer Mount

Chassis Data

Standard Specifications	PC-16 E/C	PC-20 C
Maximum Lift Capacity at 10' (3,10 m)*	16,000 lb (7 257 kg)	-
Maximum Lift Capacity at 11' (3,40 m)*	-	20,000 lb (9 090 kg)
Maximum Lift Capacity at 22' (6,71 m)*	8,000 lb (3 628 kg)	10,000 lb (4 545 kg)
Cable Payout from Trolley	17' 6.5" (5,40 m)	17' 6.5" (5,40 m)
Elevation	40°	40°
Rotation	Continuous 1 rpm	Continuous 1 rpm
Minimum Frame Required	3.2 rbm	3.2 rbm

* Less Attachment Weight

OAH Overall Height
 BER Boom Extension Radius
 LC Load Clearance
 FSE Front Stinger Extension
 RSE Rear Stinger Extension
 BAT Bed Assembly Thickness
 CG Center of Gravity from Center Line of Rotation

Weights

	PC-16 E	PC-16 C	PC-20 C
Basic Unit (classic includes outrigger)	7,040 lb (3 193 kg)	8,990 lb (4 077 kg)	10,800 lb (4 898 kg)
AS-6 A-Frame Outrigger	1,500 lb (680 kg)	-	-
ER-20 Radial Out/Down Outrigger	1,370 lb (621 kg)	-	-
AS-6 Extra-Wide A-Frame Outrigger	2,020 lb (916 kg)	-	-

Hydraulic System

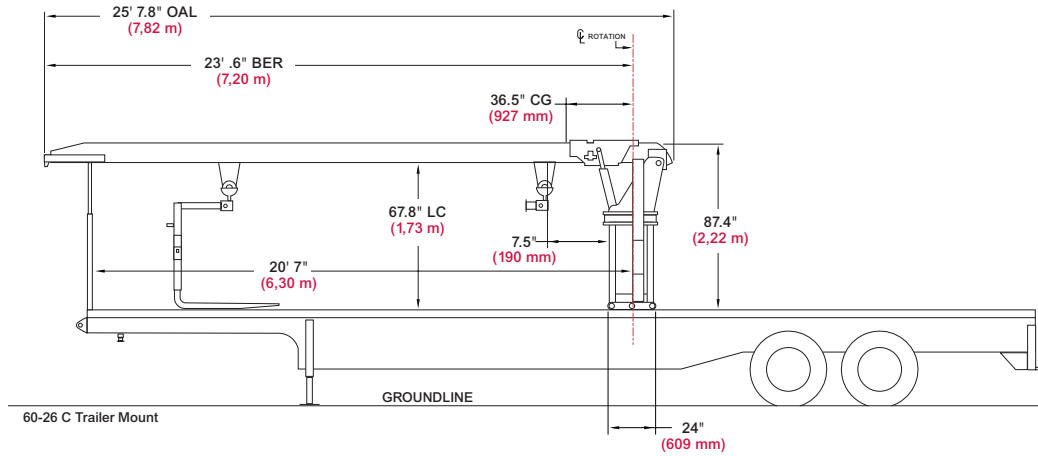
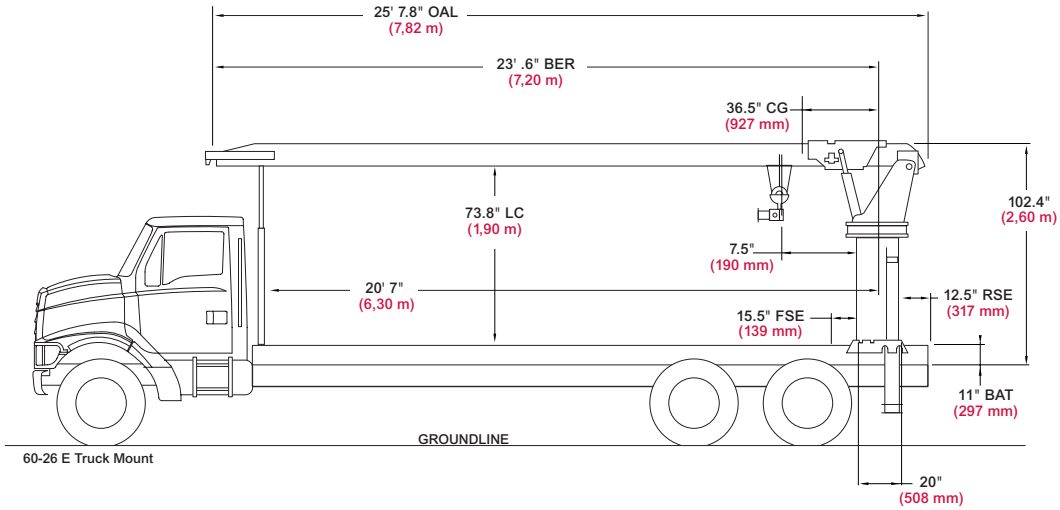
	PC-16 E	PC-16 C	PC-20 C
Pump Flow	24 gpm (90 lpm)	12 gpm (45 lpm)	12 gpm (45 lpm)
Recommended Truck Engine Speed	1,200 rpm	1,200 rpm	1,200 rpm
Operating Pressure	2,000 psi (13,789 kPa)	2,000 psi (13,789 kPa)	2,500 psi (17,236 kPa)

model PC-16 & PC-20 C



outline dimensions

5



Chassis Data	
Standard Specifications	60-26 E/C
Maximum Lift Capacity at 21' 5" (6,53 m)*	6,000 lb (2 721 kg)
Cable Payout from Trolley	22' (6,71 m)
Elevation	60°
Rotation	Continuous 1 rpm
Minimum Frame Required	2.1 rbm

* Less Attachment Weight

- OAH Overall Height
- BER Boom Extension Radius
- LC Load Clearance
- FSE Front Stinger Extension
- RSE Rear Stinger Extension
- BAT Bed Assembly Thickness
- CG Center of Gravity from Center Line of Rotation

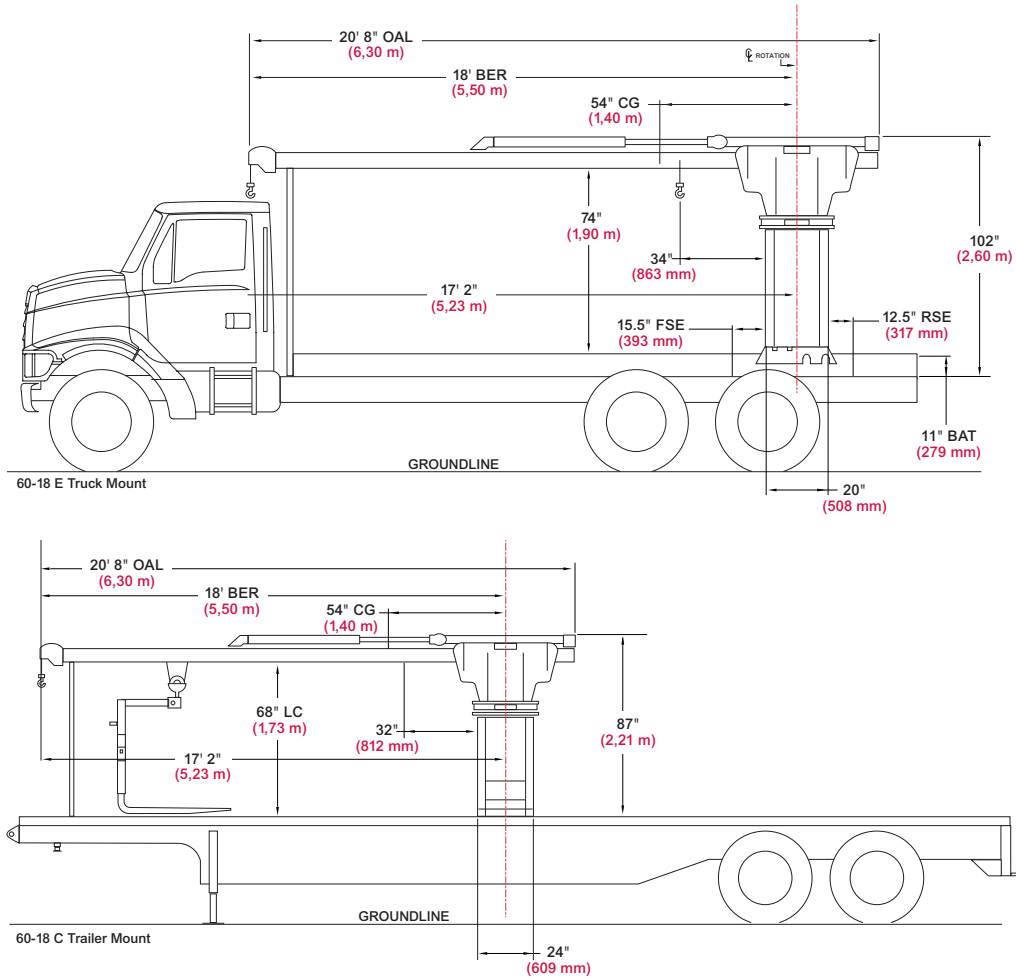
Weights		
	60-26 E	60-26 C
Basic Unit (classic includes outrigger weight)	4,700 lb (2 131 kg)	6,650 lb (3 016 kg)
AS-6 A-Frame Outrigger	1,500 lb (680 kg)	-
HS-6 Drop Down Outrigger	630 lb (285 kg)	-

Hydraulic System		
	60-26 E	60-26 C
Pump Flow	24 gpm (90 lpm)	12 gpm (45 lpm)
Recommended Truck Engine Speed	1,200 rpm	1,200 rpm
Operating Pressure	2,000 psi (13,789kPa)	2,000 psi (13,789kPa)

model 60-26

outline dimensions

6



Chassis Data

Standard Specifications	60-18 E/C
Maximum Lift Capacity at 18' (5,50 m)*	6,000 lb (2 721 kg)
Cable Payout from Boom Tip	21' (8,40 m)
Elevation	60°
Rotation	Continuous 1 rpm
Minimum Frame Required	1.8 rbm

* Less Attachment Weight

OAH Overall Height
 BER Boom Extension Radius
 LC Load Clearance
 FSE Front Stinger Extension
 RSE Rear Stinger Extension
 BAT Bed Assembly Thickness
 CG Center of Gravity from Center Line of Rotation

Weights

	60-18 E	60-18 C
Basic Unit (classic includes outrigger weight)	4,700 lb (2 131 kg)	6,650 lb (3 016 kg)
AS-6 A-Frame Outrigger	1,500 lb (680 kg)	-
HS-6 Drop Down Outrigger	630 lb (285 kg)	-

Hydraulic System

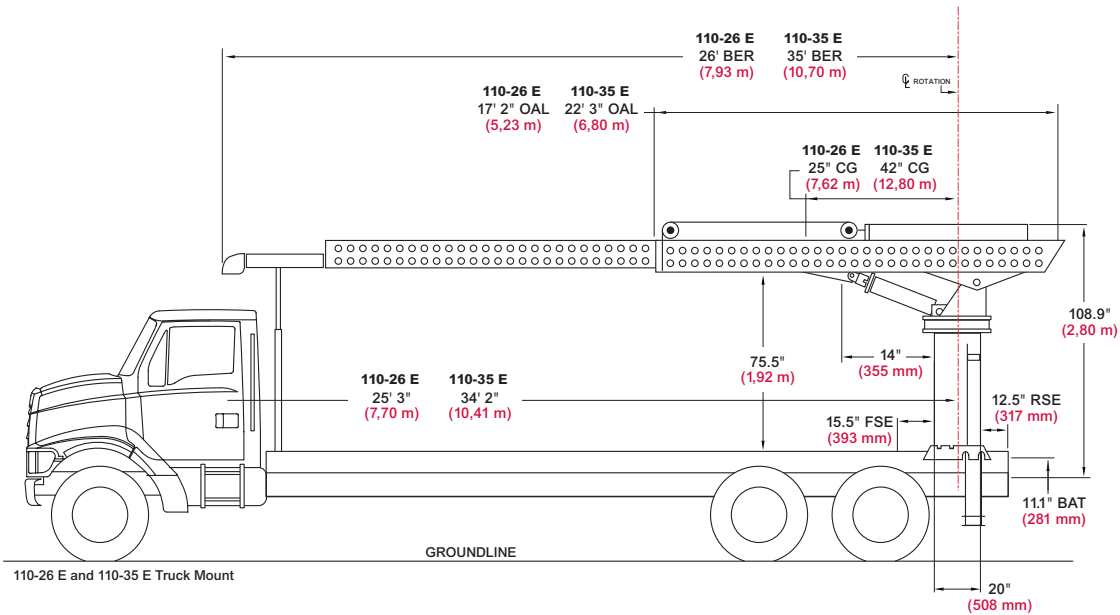
	60-18 E	60-18 C
Pump Flow	24 gpm (90 lpm)	12 gpm (45 lpm)
Recommended Truck Engine Speed	1,200 rpm	1,200 rpm
Operating Pressure	1,500 psi (10,342 kPa)	1,500 psi (10,342 kPa)

model 60-18

USTC™

outline dimensions

7



110-26 E and 110-35 E Truck Mount

Chassis Data

Standard Specifications	110-26 E	110-35 E
Maximum Lift Capacity at 18' (5,50 m)*	11,000 lb (4 989 kg)	11,000 lb (4 989 kg)
Maximum Lift Capacity at 25' (7,62 m)*	6,500 lb (2 948 kg)	-
Maximum Lift Capacity at 35' (10,70 m)*	-	4,000 lb (1 814 kg)
Minimum Radius Retracted	11' 6" (3,51 m)	15' 1" (4,60 m)
Maximum Radius Rear Extension	43" (1,09 m)	43" (1,09 m)
Minimum Radius Rear Retraction	77" (2,00 m)	77" (2,00 m)
Cable Payout from Trolley	19' (5,80 m)	20' (6,10 m)
Elevation	59°	59°
Rotation	Continuous 1 rpm	Continuous 1 rpm
Minimum Frame Required	2.5 rbm	2.5 rbm

* Less Attachment Weight

OAH Overall Height
 BER Boom Extension Radius
 LC Load Clearance
 FSE Front Stinger Extension
 RSE Rear Stinger Extension
 BAT Bed Assembly Thickness
 CG Center of Gravity from
 Center Line of Rotation

Weights

	110-26 E	110-35 E
Basic Unit (classic includes outrigger weight)	5,900 lb (2 676 kg)	6,700 lb (3 039 kg)
AS-6 A-Frame Outrigger	1,500 lb (680 kg)	1,500 lb (680 kg)
HS-6 Drop Down Outrigger	630 lb (285 kg)	630 lb (285 kg)
ER-20 Radial Out/Down Outrigger	1,370 lb (621 kg)	1,370 lb (621 kg)
AS-6 Extra-Wide A-Frame Outrigger	2,020 lb (916 kg)	2,020 lb (916 kg)

Hydraulic System

	110-26 E	110-35 E
Pump Flow	24 gpm (90 lpm)	12 gpm (45 lpm)
Recommended Truck Engine Speed	1,200 rpm	1,200 rpm
Operating Pressure	2,400 psi (16,547 kPa)	2,400 psi (16,547 kPa)

model 110-26 & 110-35 E

UPTime is the Manitex commitment to complete support of thousands of units working every day.

UPTime

- Includes 24-7-365 parts shipments.
- Utilizes the efficiency of **UPNet** on line parts order system.
- Relies on Manitex's **UPTrak** support tracking system for performance analysis and resource allocation.
- Features **REMan**, Manitex's cost effective rebuild/exchange program.
- Provides expert service technicians for troubleshooting and site visits.
- Mandates training; at our facility and yours. It includes coordinated support from all component suppliers.
- Involves every Manitex team member in the support of every Manitex customer.

What does *UPTime* mean to Manitex customers?

UPTime means reliability.

UPTime means utilization.

UPTime means profitability.

USTC TM

USTC, Inc.
3000 South Austin Avenue
P.O. Box 1609
Georgetown, TX, USA 78627-1609
Telephone 512-942-3000
Facsimile 512-863-3776
www.manitex.com

Manitex 
MOVING FORWARD FASTER