



STAR 13 P



Ideally suited for stock picking

- Adjustable height picking tray with 4 positions and weight sensor
- Saloon-style doors for easy access

Optimum compactness

- Width of 2 ft 6 in to operate in the most congested areas

Exceptional productivity

- Driveable at full height
- Load capacity up to 400 lb
- Long working cycles

Robust, reliable, easy to maintain



Haulotte 
GROUP

More than lifting





STAR 13 P

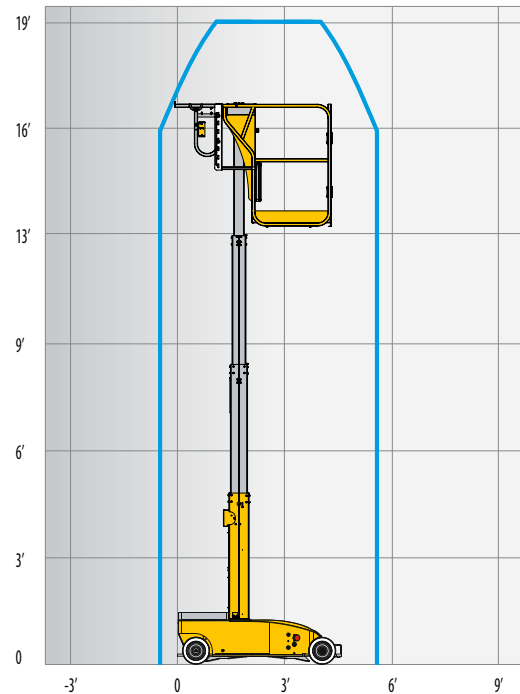


VERTICAL MASTS

TECHNICAL DATA

STAR 13 P

Working height	19 ft 1 in
Platform height	13 ft 1 in
Horizontal outreach	N/A
Lift capacity	400 lbs
Platform size	2 ft 3 in x 2 ft 5 in
Picking tray size	18 in x 2 ft 5 in
Picking tray lift capacity	200 lbs
D Length	4 ft 11 in
B Width	2 ft 6 in
A Height - stowed	5 ft 5 in
Tailswing	N/A
C Wheelbase	3 ft 10 in
E Ground clearance	3 in
Drive speed	0.3 - 3.1 mph
Turning radius - outside	4 ft 11 in
Inside turning radius	10 in
Turntable rotation	N/A
Gradeability	20 %
Tires	10x3 in
Batteries	24V - 185 Amph (C5)
Pounds per square inch rating (PSI)	255 lb / sq. ft
Weight	1,808 lbs



STANDARD EQUIPMENT

- Battery charger 110V / 60Hz
- Electric proportional controls with soft progressive driving
- DC motor
- 2 rear steering wheels
- 2 front driving wheels
- Deep-cycle batteries
- Battery charge indicator
- Non-marking tires
- Remote control for brake release
- Manual platform lowering valve
- Tie down points
- Electric horn
- Hour meter
- Fixed pothole protection
- Adjustable height picking tray with 4 positions and weight sensor
- Tilt alarm
- Descent alarm

OPTIONS AND ACCESSORIES

- Alarm package (travel and descent)
- Travel alarm
- Flashing beacon

