

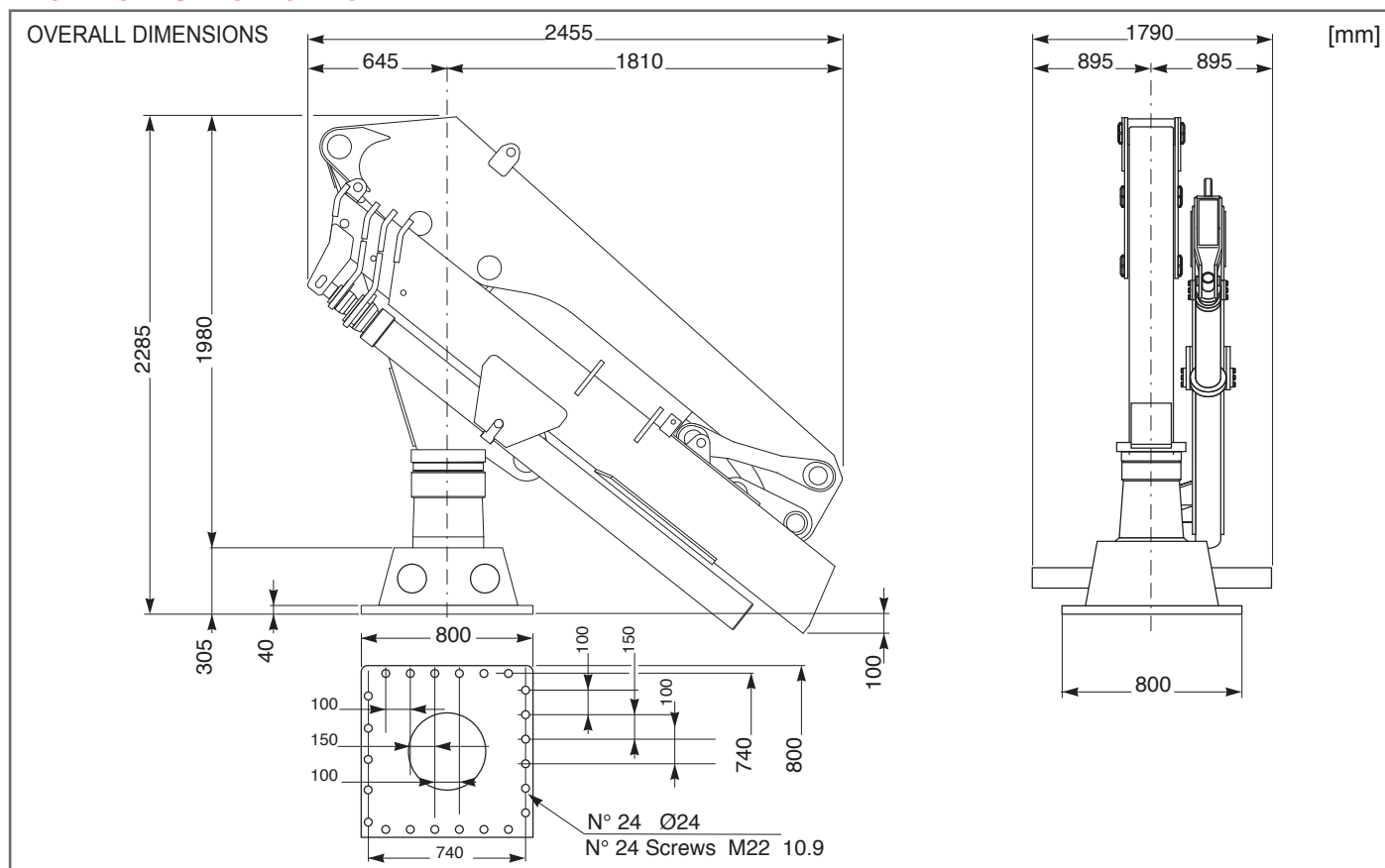


Custom Built Marine & Offshore Cranes

FULLY FOLDABLE CRANE

# HLM 25-3S MODEL

## TECHNICAL SPECIFICATION



TECHNICAL DATA					
Hydraulic extensions	N°	3	Empty weight of the crane	kg	2950
Net lifting moment	t-m	25	Recommended amount of oil	lt	180
Slewing torque	kg-m	2900	Slewing speed	rpm	1
Slewing angle (continuous)	°	400	Main boom lifting time	sec	50
Pump capacity	lt/min	50	Secondary boom articulation time	sec	50
Max working pressure	bar	250	Boom element extension time	sec	50
STANDARD FEATURES			AVAILABLE OPTIONS		
			3000 kg direct pull winch rope Ø 14		
			Winch limit switch		
			Column-mounted control panel		
			Load limiting device		
			Size 5 electrohydraulic power pack		
			Control panel out of the crane		
			1st manual extension 1600 kg @ 12,62 m (**)		
			2nd manual extension 1100 kg @ 14,74 m (**)		
			(**) The use is not allowed for winching purposes		

October 2014

HLM25-3S Rev.00

The technical data contained in this card are only indicative and can be changed without notice.

HEILA CRANES S.p.A. | Via Romana 34/6 - 42028 Poviglio (RE) Italy | info@heila.com | www.heila.com



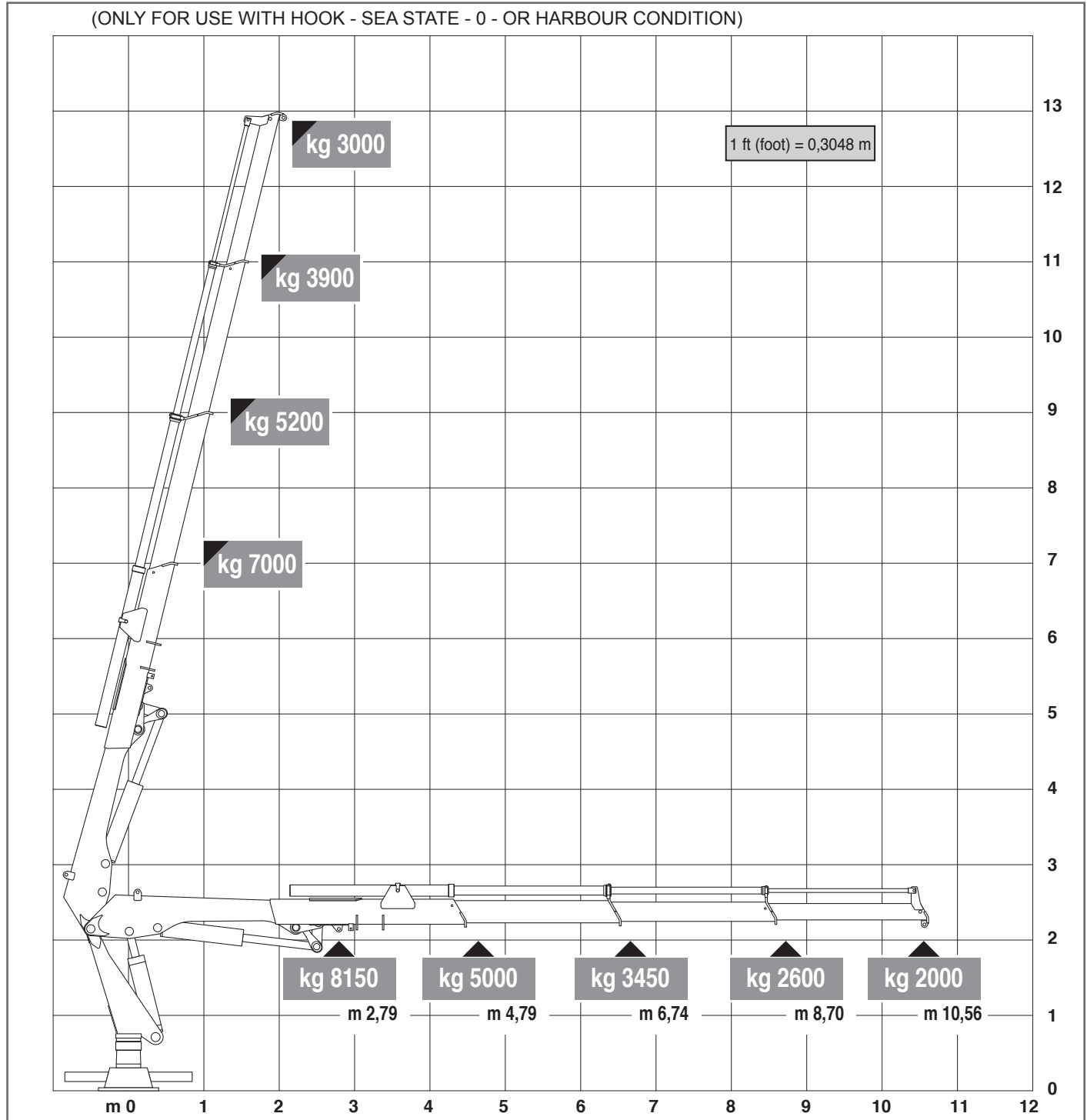
Custom Built Marine & Offshore Cranes

FULLY FOLDABLE CRANE

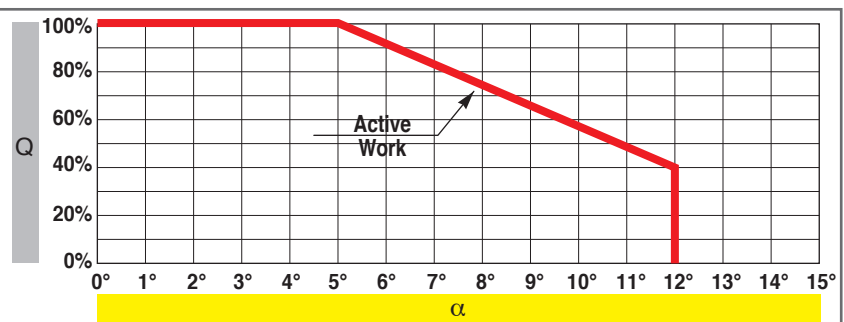
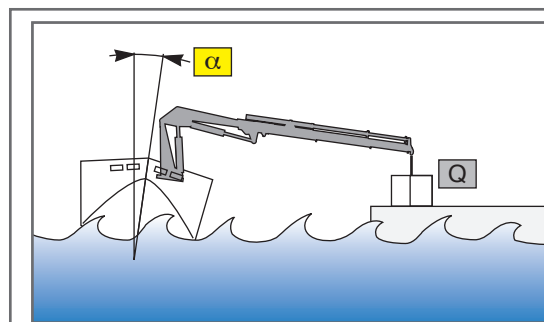
# HLM 25-3S MODEL

## TECHNICAL SPECIFICATION

(ONLY FOR USE WITH HOOK - SEA STATE - 0 - OR HARBOUR CONDITION)



October 2014



The technical data contained in this card are only indicative and can be changed without notice.

HLM25-3S Rev.00