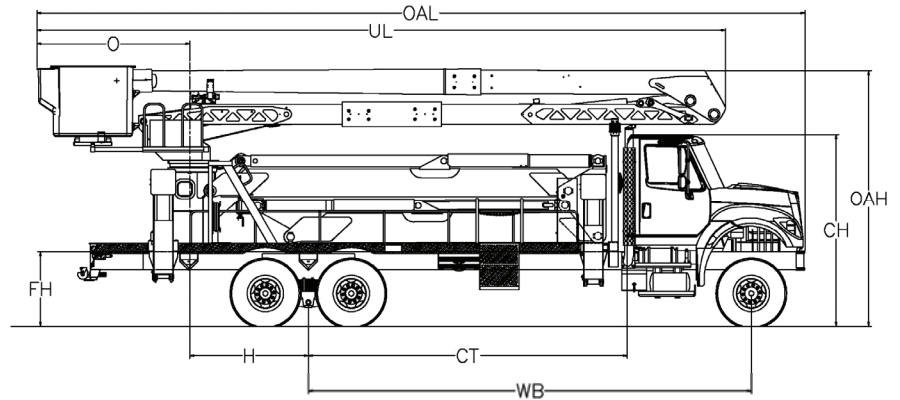


AERIAL DEVICES

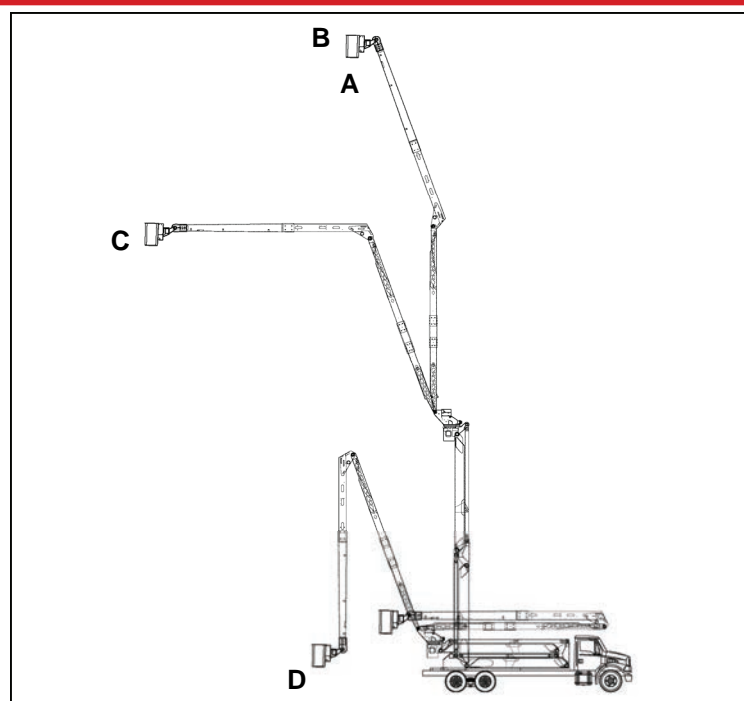
Terex® Hi-Ranger Aerial Devices are known throughout the industry. They come with a long history featuring quality and innovative design .



MEASUREMENTS	TCX65/100
	ORA End Mount
Typical Frame Height (FH)	45 in. (101.6 cm)
Typical Cab Height (CH)	116 in. (274.3 cm)
Offset (O)	92.5 in. (221 cm)
Overall Height (OAH)	13'5" (3.7 m)
Overall Length (OAL)	38' 9" (9.8 m)
Unit Length (UL)	34' 9" (9.8 m)
Center of Rotation (H)	72 in. (182.9 cm)
Cab to Tandem (CT)	193 in. (490.2 cm)
Wheel Base (WB)	268 in. (680.7 cm)
Front Axle (FA)	18,000 lb. (8,182 kg)
Rear Axle (RA)	34,000 lb. (15,455 kg)
Gross Vehicle Weight Rating (GVWR)	52,000 lb. (23,636 kg)
Recommended Weight for Stability (With Radials)	20,000 lb. (9,091 kg)
Frame Section Modulus	18.0 in ³
Frame Yield Strength	50,000 psi
Frame RBM	900,000 in-lbs

STANDARD EQUIPMENT

- End-Mount 24" x 48" x 42" Two-Person Platform
- Platform Capacity up to 700 lb (318 kg)
- Control-Plus "3-D" Single Stick Control At Platform
- Safety Harness With Attached Lanyard
- Continuous Unrestricted Worm Gear Rotation
- Category "C" Rating Per ANSI A92.2
- Rectangular, Bi-Axial Epoxy Resin, Filament Wound Fiberglass Booms
- Individual Lever Lower Controls
- Power Assist Control System with Automatic Demand Throttle
- Hydraulic Platform Tilt At Upper and Lower Control
- Hydraulic Platform Leveling System
- Hydraulic Platform Rotators (180° End Mt only)
- Engine Stop/Start
- 70° Upper Boom Articulation
- 110° Of Lower Boom Articulation
- Compensated Boom Design
- Closed-Center Hydraulic System
- 30 Gallon Hydraulic Oil Reservoir
- Padded Lower Boom Rest
- Boom Interlock
- Moving Outrigger Alarm
- Truck Level Indicator



CAPACITIES AND DIMENSIONAL DATA (Based on a 40 Inch Frame Height)

MODEL	A	B	C	D	(Dumped & Rotated)
	Bottom of Platform Height	Working Height	Side Reach L.B. at 110°	Bottom Platform to Ground at 110°	Lip to Ground at 110°
TCX65/100	100 ft (30.5 m)	105 ft. (32.0 m)	47.3 ft. (14.4 m)	51.7 in. (131.3 cm)	28 in. (71.1 cm)
			Side Reach L.B. at 120°	Bottom Platform to Ground at 120°	(Dumped & Rotated) Lip to Ground at 120°
			52.0 ft. (15.8 m)	44.6 in. (113.3 cm)	21 in. (53.3 cm)

OPTIONAL EQUIPMENT

- Various Platform Covers
- Liners With or Without Steps
- Category "A" or "B" Rating Per ANSI A92.2
- Note: May affect travel height
- 120° Optional Lower Boom Articulation
 - Reduces platform capacity to 400 lbs.
- Lower Boom Lifting Eye
- Automatic Upper Boom Latch
- Hydraulic Tool Outlets
- Hydraulic Oil Cooler
- Auxiliary Power
- Auxiliary Let Down System
- Boom Overstow Protection
- Boom/Boom Stow Interlock
- Boom Storage Warning Light
- Outrigger Sag Light
- Various Types of Outriggers
- Truck Grounding Cable & Clamp

Effective Date: March, 2010. Product specifications and prices are subject to change without notice or obligation. The photographs and/or drawings in this document are for illustrative purposes only. Refer to the appropriate Operator's Manual for instructions on the proper use of this equipment. Failure to follow the appropriate Operator's Manual when using our equipment or to otherwise act irresponsibly may result in serious injury or death. The only warranty applicable to our equipment is the standard written warranty applicable to the particular product and sale and Terex makes no other warranty, express or implied. Products and services listed may be trademarks, service marks or trade-names of Terex Corporation and/or its subsidiaries in the USA and other countries. All rights are reserved. Terex® is a registered trademark of Terex Corporation in the USA and many other countries. Copyright 2010 Terex Corporation.