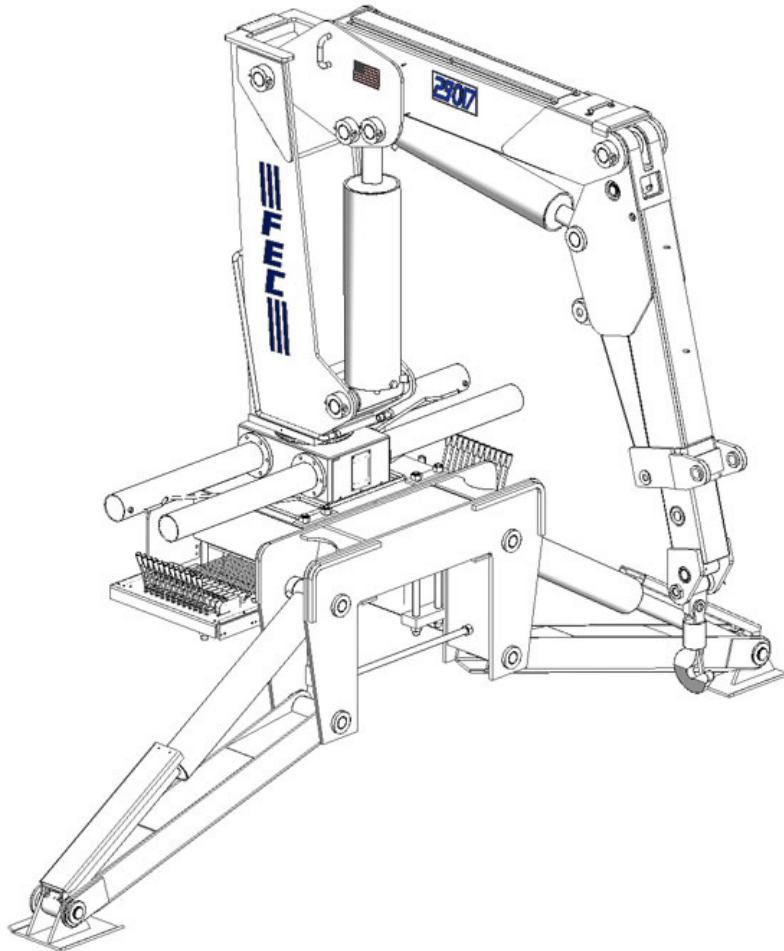


29017

290,000 ft.lbs. Rating



Center Crane mounting.

Fold-down outriggers.

Load holding valves on all lift cylinders.

Overload protection on main control valve.

Chrome plated cylinder rods and tubes.

Plated pivot pins, bolted for extra security.

Self lubricating bearing surfaces on all slide tubes.



FLEET EQUIPMENT CORPORATION

The most trusted name in tire trucks.

800.631.0873