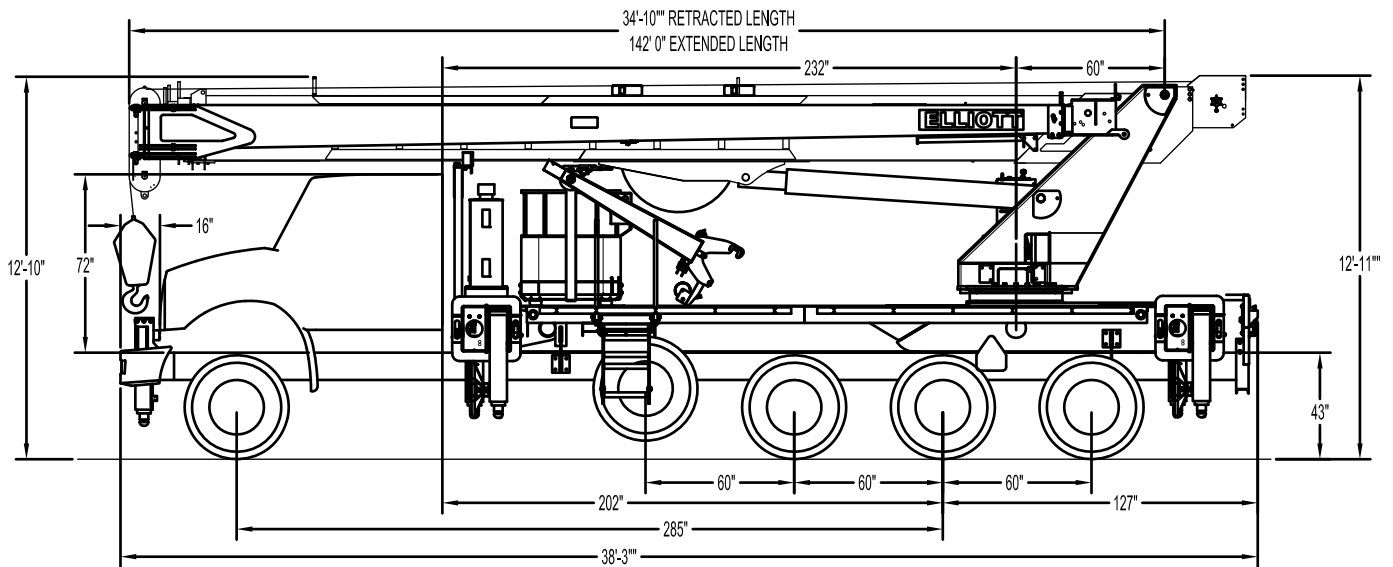




E160 SIDE VIEW DIAGRAM



- | | | | |
|---------------------------------|----------------------|---------------------------------|--------------------|
| • Maximum Working Height | 215'/65,5 m | • Powered Boom Sections | 5 |
| • Main Boom Length | 155'/47,2 m | • Overall Height | 12'11"/3.9 m |
| • Jib Lengths | 32'-55'/9,8-16,7 m | • Operator Controls | Ride-Around Seated |
| • Working Area | 360 Degrees | • Outrigger Type Front | Out-Down |
| • Lifting Capacity | 30,000 lbs/13 608 kg | • Outrigger Spread Front | 21'2"/6,4 m |
| • Platform Capacity | 1,200 lbs/544 kg | • Outrigger Type Rear | Out-Down |
| • Platform Size | 36x72"/91x183 cm | • Outrigger Spread Rear | 26'2"/8 m |
| • Certification (ANSI) | ANSI A92.2 | | |

TECHNICAL SPECIFICATIONS

Minimum Platform Height: 160' ground to platform floor.

Maximum Platform Height: 210' ground to platform floor with jib.

Work Platform: Large 36x72" gravity-leveled and heavy-duty steel platform with lower platform grating, 40" high rails, integral grounding lugs, and external hand protection rail. Includes hydraulically assisted yoke for easy attachment to boom or jib. Equipped with two safety lanyard attachment loops and two safety harnesses and 72" lanyards. Includes hydraulic tool circuit in platform. Platform capacity 600 lbs over 200' working height and 1,200 lbs under 200' working height.

Winch: Mounted at the base of boom for a long fleet angle and flat level spooling of rope. Winch is driven by a planetary reducer and powered by a hydraulic motor. Burst-of-speed winch provides increased line speed. The winch brake is spring applied, pressure release design. Supplied with 425' of 5/8" diameter Amsteel Blue synthetic rope for high strength/weight ratio with a single line pull of 10,000 lbs, and a downhaul ball with swivel hook for single part line.

Platform Controls: Wireless radio remote controls with integral LMI display provide operator with proportional control over boom rotation, elevation, extension, and winch functions. Hard wire connection available in platform.

Load Moment Indicator System: Greer Insight full color LMI system. System senses hoist cylinder pressures, boom length, and boom angle with hydraulic function lockout. The display console is equipped with a graph showing crane utilization, boom angle or boom length, a mode select controls for main boom and jib operation, and an anti-two block with an audio/visual warning and shut-off functions to limit hook-boom point contact.

Elliott Equipment Company reserves the right to change the specification of any unit at any time without prior notice. This brochure is only a statement of general specifications on the date of this publication. For more detailed info on specific Elliott trucks go to www.elliottequip.com

Lower Controls: Elliott Ride-Around Control Console with seat mounted on curbside of turret.

Outriggers: Two sets of special 'crib free' out-and-down outriggers with two-stage vertical stroke for longer penetration and less cribbing. Front outriggers have a 21'2" span, rear outriggers have a 26'2" span for excellent stability. Outriggers include removable ball socket aluminum pads that store on outrigger legs. Controls are located under each side of bed. Outrigger interlocks prevent unit from being operated without deployment. No front stabilizer required.

Frame: Full length, all welded rigid 4-plate design sub-frame. Sub-frame allows for bolt-on addition of aluminum bed wings, with top plate of subbase service as a portion of the bed deck, to form a three-piece bed.

Turret: Reverse offset turret is one-piece weldment. Turret rotates on large diameter ball bearing.

Rotation: Hydraulic motor drives turret through double reduction planetary swing drive for 360 degree continuous rotation.

Boom: 5-section fully proportional, high strength steel plated rectangular steel boom sections. A maximum boom tip height without jib of 160' mounted on a truck. Assembly includes heavy-duty cylinder fittings, pivot pins, and replaceable wear pads.

Boom Extension: Incorporates a 2-stage hydraulic extension cylinder, attached to the largest boom section, with a proportional cable extension system driving the outermost sections.

Lift: One double-acting long stroke cylinder provide smooth and stable boom elevation. Holding valve prevents boom from falling in event of hose failure.

Cylinders: All cylinders use microhoned cylinder tubing, chrome shafts, top grade packing and protective rod wipers. Cylinder-mounted holding valves provided on all load-holding cylinders.

Hoses: All high pressure hose is wire braid reinforced with a minimum safety factor of 4 to 1.

Oil Tank Capacity: 143 gallon mounted on top of frame.

Hydraulic System: Equipped with air-shift PTO, piston pump, SAE O-ring face seals on pressure lines, and a 10-micron return line filter. The control valve distributes all flow to hoist system, swing circuit, and other crane functions. System is closed-center type.

Cab Equipment: PTO with indicator lights installed in truck cab. U/L approved 5:BC dry chemical fire extinguisher installed in truck cab.

Operators Manual & Video: Two CD copies and one hard copy of operation, maintenance, safety and parts manual provided with each unit. Operational and safety video provided at delivery.

Installation: Unit installed on truck, painted, system and tank filled with oil, tested, inspected, certified and ready to operate.

Standard Paint: Painted white, outriggers red, and bed and boxes black. Top of bed painted with black nonskid surface.

Bumper: Bureau of Motor Carrier Safety rear bumper.

Warranty: One Year Parts & Labor, Lifetime Structural Warranty.

Testing: Unit complies with ANSI A92.2.

LOAD CHART - FULL SPAN OUTRIGGERS, BASKET ATTACHED



MODEL E160

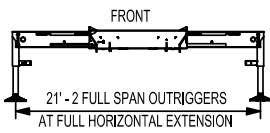
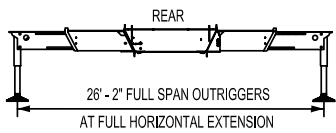
MAIN BOOM LOAD RATINGS WITH FULLY EXTENDED OUTRIGGERS

MAIN BOOM LOAD RATINGS WITH BASKET ATTACHED

LOAD RATINGS IN lbs WITH OUTRIGGERS AND STABILIZERS EXTENDED

LOAD RADIUS IN FEET	LOADED BOOM ANGLE	35-ft	A 47-ft	LOADED BOOM ANGLE	B 61-ft	LOADED BOOM ANGLE	C 74-ft	LOADED BOOM ANGLE	D 88-ft	LOADED BOOM ANGLE	E 101-ft	LOADED BOOM ANGLE	F 115-ft	LOADED BOOM ANGLE	G 128-ft	LOADED BOOM ANGLE	H 142-ft	
7	75.4	30,000																
8	73.2	30,000																
10	71.0	30,000	76.7	26,200														
12	67.3	30,000	74.3	26,200	79.1	26,200												
15	61.7	30,000	70.5	26,200	76.3	25,900	79.5	22,200										
20	50.9	27,500	63.6	25,700	71.4	20,700	75.7	19,200	78.7	14,900								
25	38.1	19,000	56.0	19,200	66.3	20,000	71.5	17,400	75.2	12,500	77.8	10,300						
30	19.3	14,000	47.8	14,300	60.6	17,850	67.2	14,750	71.7	10,900	75.0	9,400	77.5	7,700	79.3	6,500		
35			38.0	11,000	54.5	11,200	62.8	11,400	68.1	10,500	72.0	8,400	75.0	6,800	77.0	5,700	79.1	3,500
40			25.2	8,600	48.0	8,800	58.0	9,040	64.4	9,000	68.8	8,000	72.2	6,000	74.9	5,000	77.0	3,500
45					40.7	7,100	52.9	7,300	60.6	7,350	65.6	7,400	69.8	5,200	72.6	4,400	74.8	3,500
50					31.9	5,700	47.3	5,800	56.5	5,900	62.3	6,000	67.0	5,100	70.1	4,000	72.7	3,000
55					19.8	4,700	41.2	4,750	52.3	4,850	59.1	4,900	64.2	4,800	67.6	3,400	70.5	2,700
60							34.9	3,850	48.0	3,900	55.5	4,000	61.2	4,000	65.0	3,300	68.3	2,400
65							26.4	3,050	43.0	3,100	51.8	3,250	58.1	3,200	62.4	3,200	65.9	2,300
70							12.9	2,350	37.3	2,450	47.6	2,550	55.0	2,500	59.7	2,500	63.6	2,200
75									30.8	1,850	43.1	1,950	54.6	1,950	56.9	2,000	61.2	2,100
80									22.5	1,300	38.2	1,400	47.8	1,450	54.0	1,450	58.7	1,550
85											32.7	950	43.8	1,050	50.8	1,150	56.2	1,150
90											26.1	600	39.6	700	47.4	780	53.5	780
95														43.8	450	50.7	450	
	0	12,100	0	7,100	0	4,000	0	2,200	0	900								
		950		700		550		450		400		350		300		250		200
	LMI MODE: NONE	600		600		600		600		600		600		600		600		600

DEDUCTIONS FOR STOWED EXTENDABLE JIB (lbs)
ADDITIONAL CAPACITY WHEN PLATFORM IS DETACHED (lbs)



ELLIOTT EQUIPMENT CO. SUPPLIED LOADLINE EQUIPMENT DEDUCTIONS:
 DOWNHAUL WEIGHT.....100 lbs
 ONE SHEAVE BLOCK.....424 lbs
 TWO SHEAVE BLOCK.....592 lbs
 THREE SHEAVE BLOCK.....639 lbs
 FOUR SHEAVE BLOCK.....762 lbs
 AUXILIARY SHEAVE.....100 lbs

DO NOT PAINT OVER ANY LABELS 1179860 110812



Elliott Equipment Company Phone: 402-592-4500
 4427 South 76th Circle Fax: 402-592-4553
 Omaha, NE 68127 Email: sales@elliottequip.com

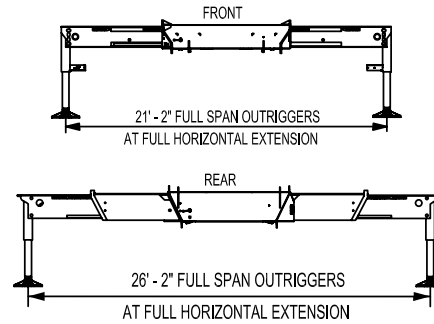
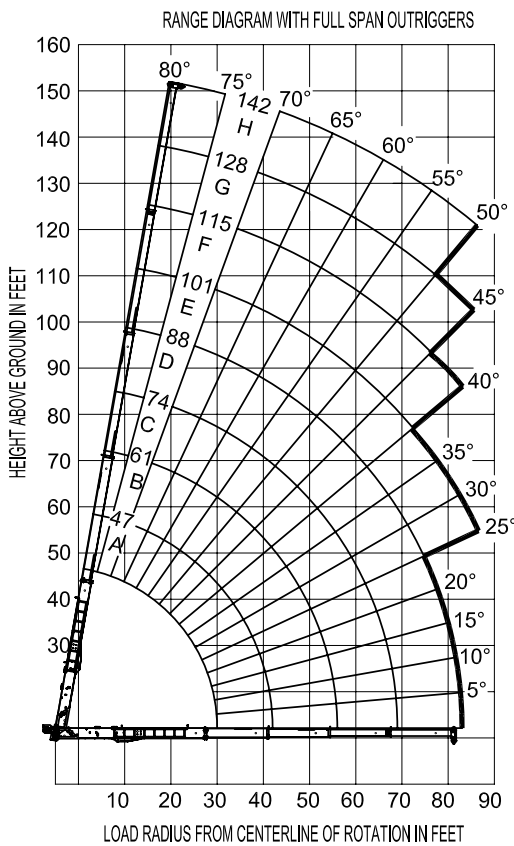
Built for You.
 www.elliottequip.com

RANGE DIAGRAM - FULL SPAN OUTRIGGERS



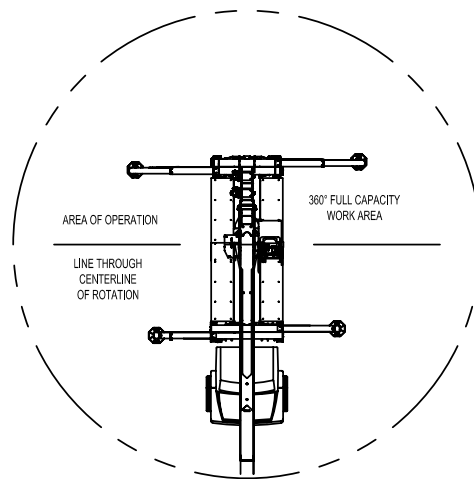
MODEL E160

RANGE DIAGRAM WITH FULLY EXTENDED OUTRIGGERS



NOTE:

1. Operate jib by radius when main boom is fully extended. Increase boom angle if necessary to maintain load radius.
2. When boom is retracted, operate jib by boom angles. Do not exceed any rated jib capacities at reduced boom lengths.
3. Boom load ratings are based on loaded boom radius. Loaded boom angles are given as reference only.
4. Personnel handling is allowed only with full span outriggers.



DO NOT PAINT OVER ANY LABELS 1179860 110812

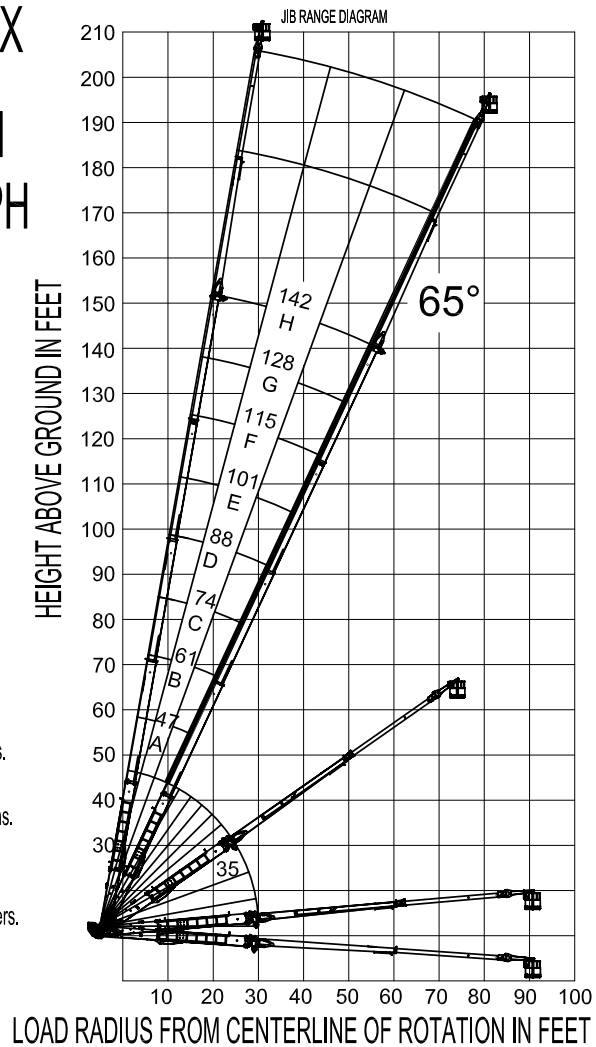
PLATFORM RANGE DIAGRAM - 2-PIECE EXTENDED JIB



MODEL E160

2 PIECE FULLY EXTENDED JIB RANGE DIAGRAM WITH PLATFORM ATTACHED

PERSONNEL 600LBS MAX
 DO NOT OPERATE JIB IN
 WINDS EXCEEDING 15MPH
 USE OUTRIGGERS
 AT ALL TIMES



- NOTE:
1. Operate jib by radius when main boom is fully extended. Increase boom angle if necessary to maintain load radius.
 2. When boom is retracted, operate jib by boom angles. Do not exceed any rated jib capacities at reduced boom lengths.
 3. Boom load ratings are based on loaded boom radius. Loaded boom angles are given as reference only.
 4. Personnel handling is allowed only with full span outriggers.

DO NOT PAINT OVER ANY LABELS 1179860 110812



Elliott Equipment Company
 4427 South 76th Circle
 Omaha, NE 68127
 Phone: 402-592-4500
 Fax: 402-592-4553
 Email: sales@elliottequip.com

Built for You.
www.elliottequip.com