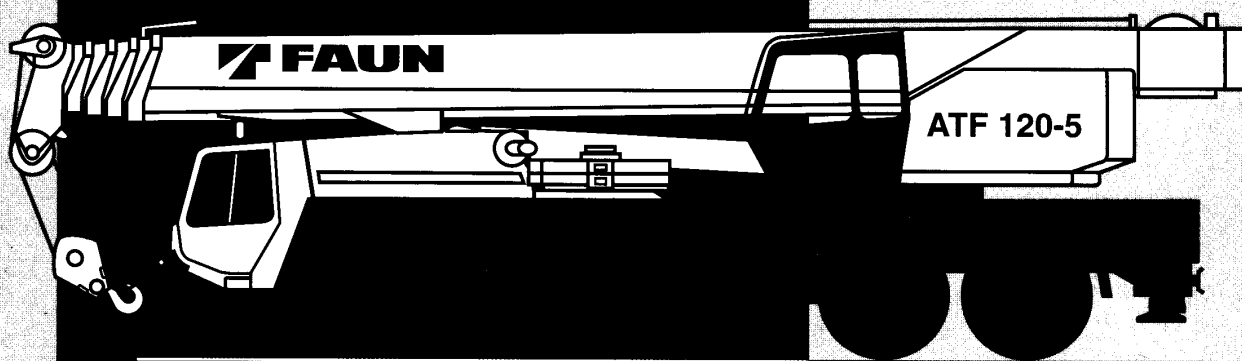


TADANO FAUN


ALL-TERRAIN

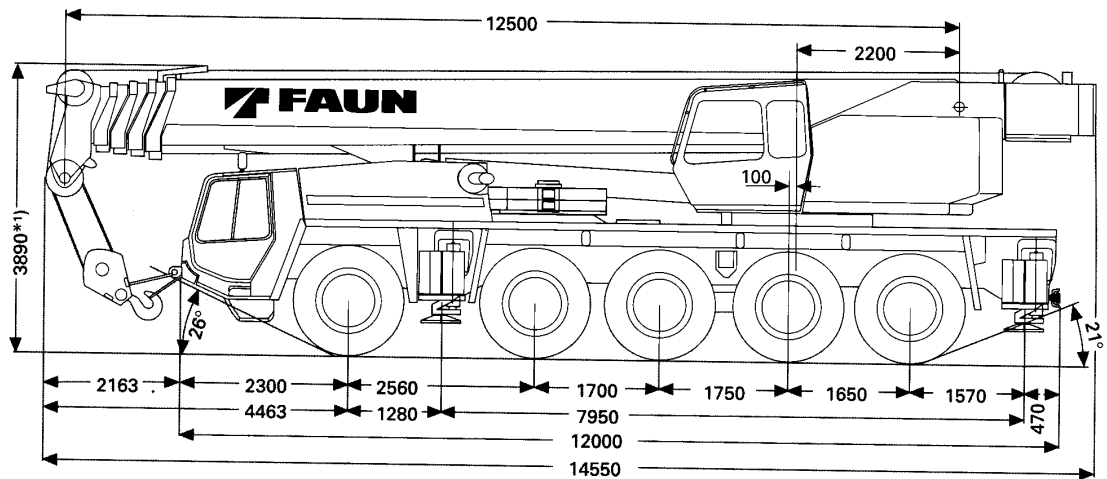
ATF 120-5

ISO 9001

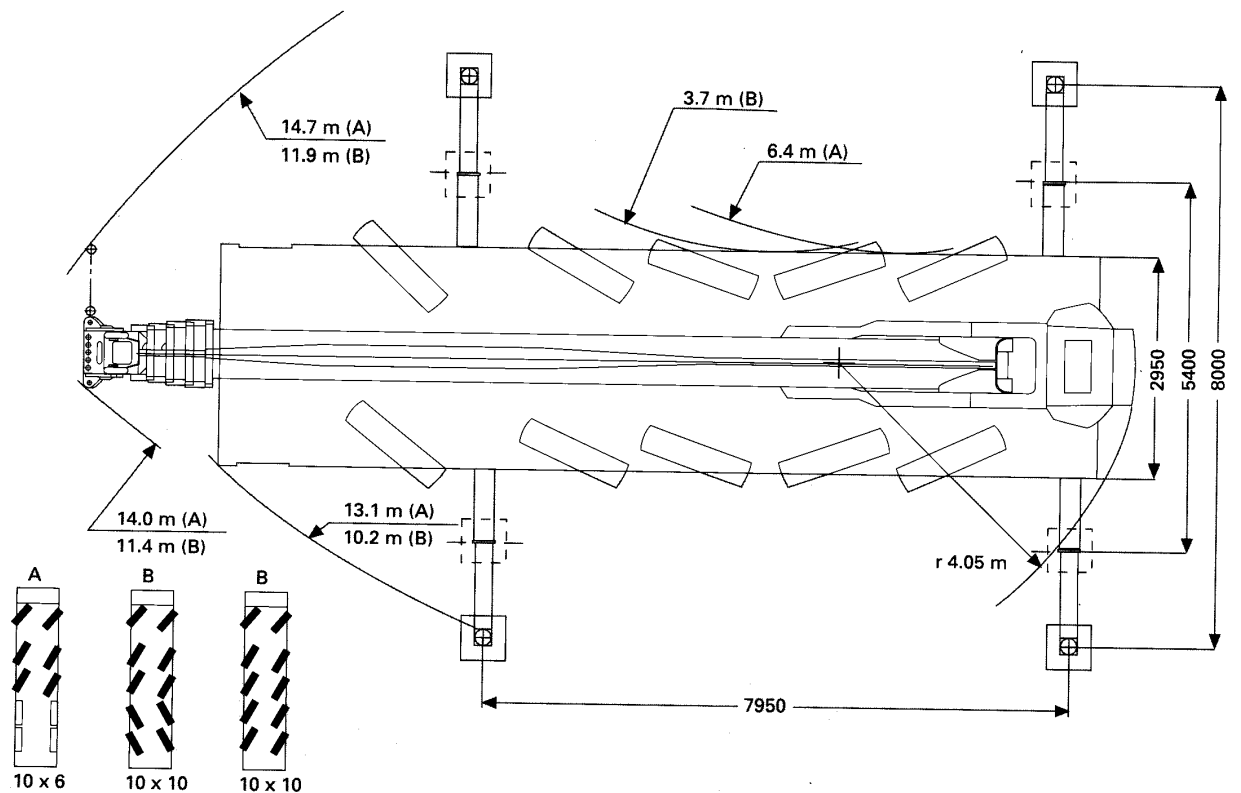


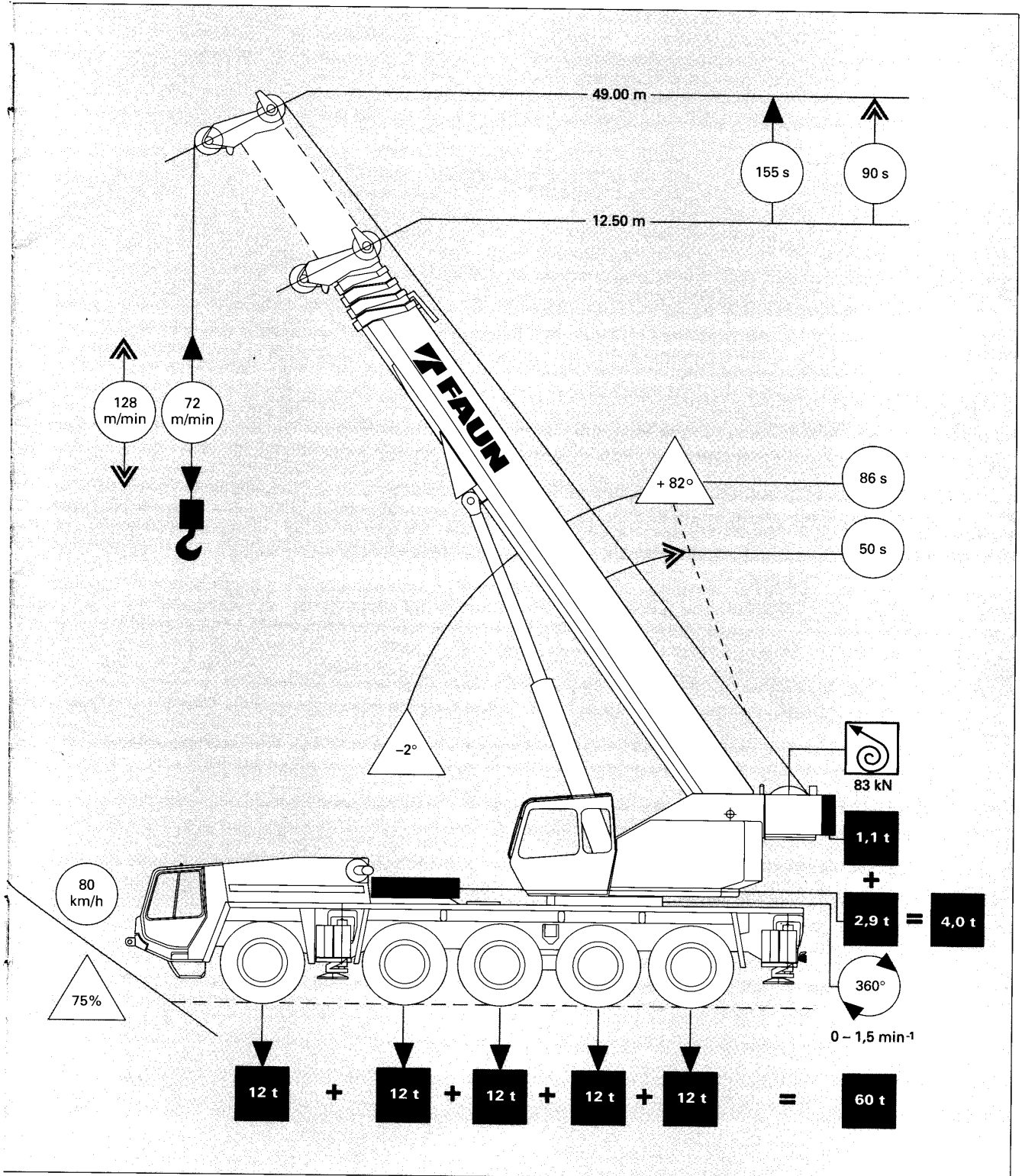
Maße/Dimensions/Dimensions/Dimensiones (mm)
 Gewichte/Weights/Poids/Pesos
 Geschwindigkeiten/Speeds/Vitesse/Velocidades

 16.00 R 25



*1) -116 mm / + 152 mm





Tragfähigkeiten am Teleskopausleger
 Lifting capacities on telescoping boom
 Capacités de levage à la flèche télescopique
 Capacidades de elevación con la pluma telescópica



29,4t

DIN

→ m	12.5 m**	12.5 m	21.65 m	21.65 m	30.75 m	30.75 m	39.90 m	39.90 m	49.00 m
3.0	130.0***	112.0	50.0	21.0					
3.5	110.0	103.0	50.0	21.0					
4.0	95.0	90.0	50.0	21.0	34.0	21.0			
4.5	86.0	81.0	50.0	21.0	34.0	21.0			
5.0	78.5	73.5	50.0	21.0	34.0	21.0			
6.0	67.0	62.5	50.0	21.0	34.0	21.0	21.0	21.0	
7.0	58.0	54.0	50.0	21.0	34.0	21.0	21.0	21.0	13.0
8.0	51.0	47.0	45.5	21.0	33.0	21.0	21.0	21.0	13.0
9.0	45.5	42.0	40.8	21.0	29.8	21.0	21.0	21.0	13.0
10.0			40.0	21.0	27.1	21.0	21.0	21.0	13.0
11.0			35.0	21.0	24.8	21.0	21.0	20.0	13.0
12.0			30.0	21.0	22.8	21.0	20.3	18.8	13.0
14.0			23.5	21.0	19.5	20.8	17.3	16.1	13.0
16.0			18.7	20.2	16.9	18.8	15.0	14.0	13.0
18.0			15.2	16.7	14.7	16.8	13.1	12.3	11.6
20.0					12.1	14.3	11.5	10.9	10.3
22.0					10.1	12.1	10.2	9.7	9.3
24.0					8.4	10.4	9.1	8.8	8.5
26.0					7.0	9.0	8.2	8.1	7.6
28.0					5.8	7.7	7.1	7.4	6.9
30.0							6.0	6.6	6.3
32.0							5.2	5.8	5.7
34.0							4.4	5.1	5.2
36.0							3.8	4.4	4.5
38.0									3.9
40.0									3.4
42.0									2.9
44.0									2.5
46.0									2.1
I	0		50	25	100	50	100	75	100
II	0		50	25	100	50	100	75	100
III	0		0	25	0	50	50	75	100
IV	0		0	25	0	50	50	75	100

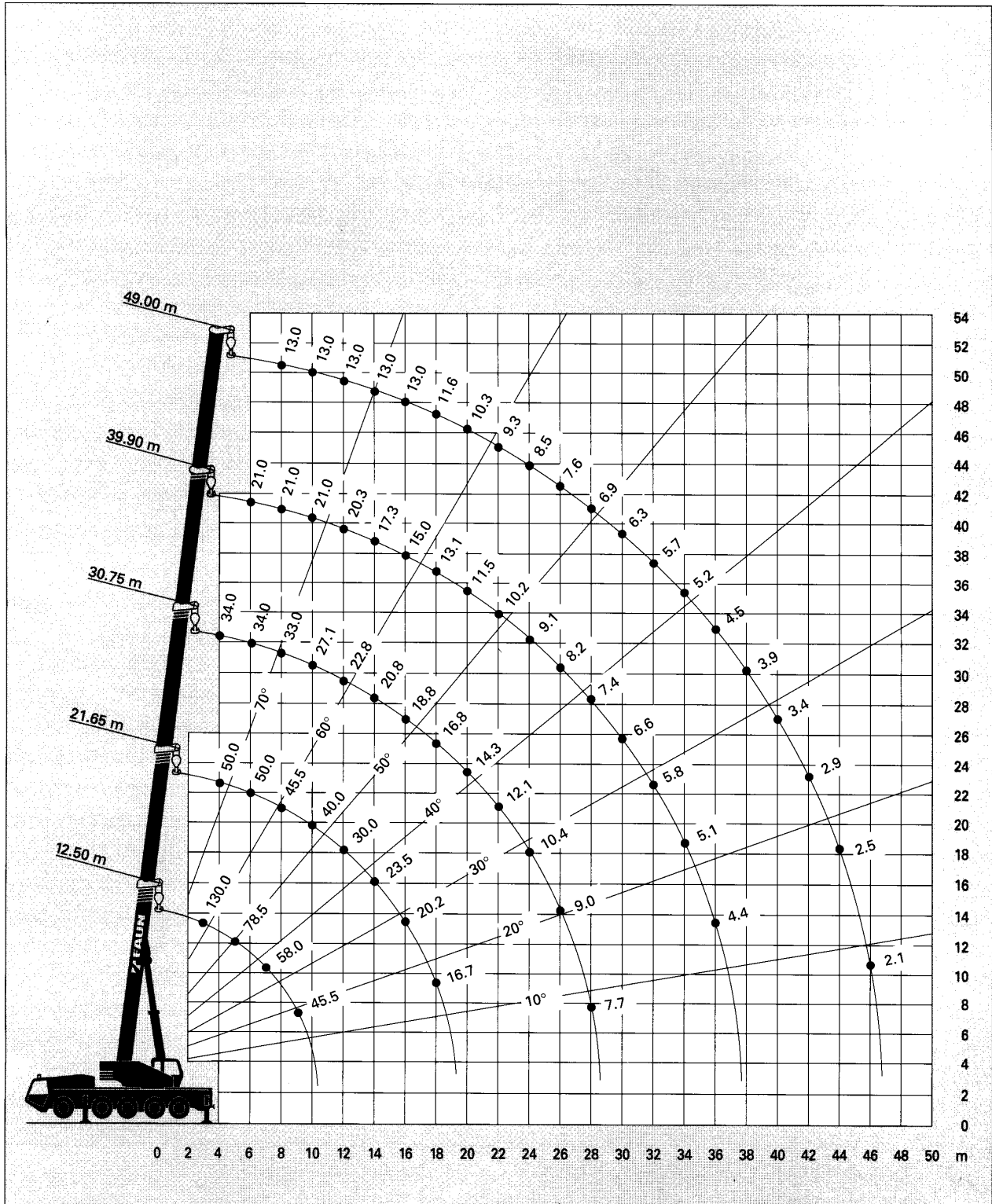


29,4t

85%

→ m	12.5 m**	12.5 m	21.65 m	21.65 m	30.75 m	30.75 m	39.90 m	39.90 m	49.00 m
3.0	140.0***	120.0***	55.0	23.0					
3.5	117.5***	110.1	55.0	23.0					
4.0	101.6	96.3	55.0	23.0	37.0	23.0			
4.5	92.0	86.7	55.0	23.0	37.0	23.0			
5.0	84.0	78.7	55.0	23.0	37.0	23.0			
6.0	71.8	67.0	55.0	23.0	37.0	23.0	23.0	23.0	
7.0	62.3	58.0	55.0	23.0	37.0	23.0	23.0	23.0	14.5
8.0	54.8	50.6	49.0	23.0	35.8	23.0	23.0	23.0	14.5
9.0	49.0	45.3	44.1	23.0	32.4	23.0	23.0	23.0	14.5
10.0			43.2	23.0	29.5	23.0	23.0	23.0	14.5
11.0			37.9	23.0	27.1	23.0	23.0	23.0	14.5
12.0			32.6	23.0	25.0	23.0	22.2	20.5	14.5
14.0			25.7	23.0	21.5	22.7	19.0	17.7	14.5
16.0			20.6	22.1	18.7	20.6	16.6	15.4	14.5
18.0			16.9	18.3	16.4	18.4	14.6	13.6	12.9
20.0					13.6	15.8	12.9	12.2	11.5
22.0					11.5	13.4	11.5	10.9	10.5
24.0					9.7	11.6	10.3	9.9	9.6
26.0					8.1	10.1	9.3	9.2	8.6
28.0					6.7	8.8	8.2	8.4	7.9
30.0							6.9	7.6	7.2
32.0							6.0	6.7	6.6
34.0							5.1	5.9	6.0
36.0							4.4	5.1	5.2
38.0									4.5
40.0									3.9
42.0									3.3
44.0									2.9
46.0									2.4
I	0		50	25	100	50	100	75	100
II	0		50	25	100	50	100	75	100
III	0		0	25	0	50	50	75	100
IV	0		0	25	0	50	50	75	100

Hubhöhen
Lifting heights
Hauteurs de levage
Alturas de elevación



**) Nach hinten
***) Mit Zusatzausrüstung

**) Over rear
***) With additional equipment

**) A l'arrière
***) Avec équipement supplémentaire

**) Sobre la parte trasera
***) Con equipo adicional