

# HDT 70 / US

HD



HDT



GTMR



CITY CRANE



TOPKIT MD  
MAXI MD



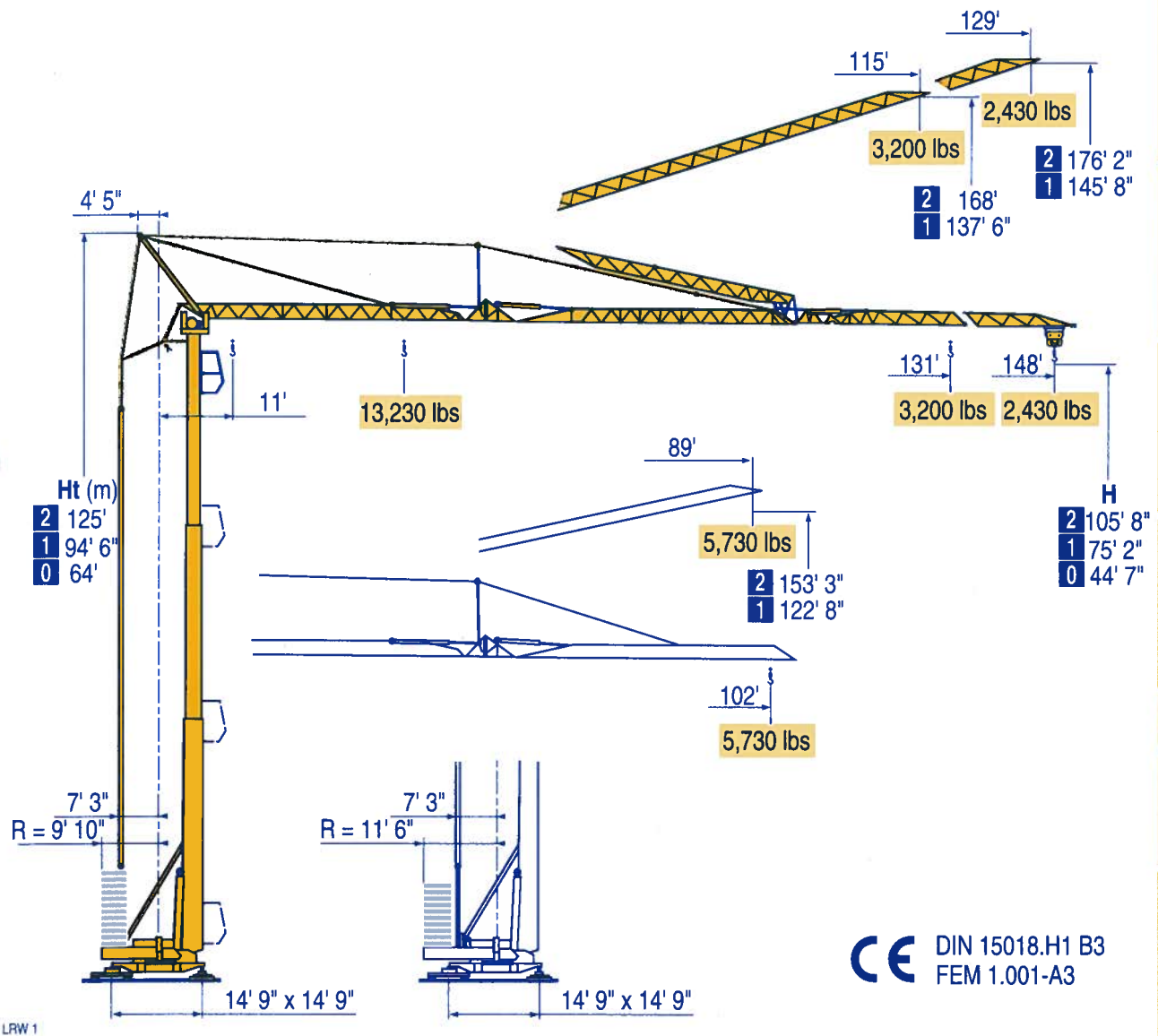
MAXI TOPKIT



Topless MDT



MR



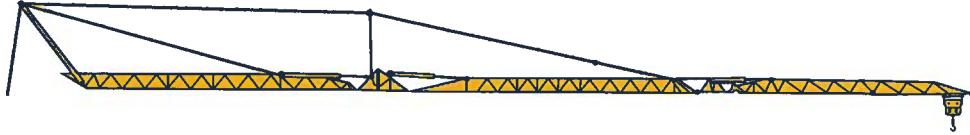
LRW 1

CE DIN 15018.H1 B3 FEM 1.001-A3



**POTAIN**

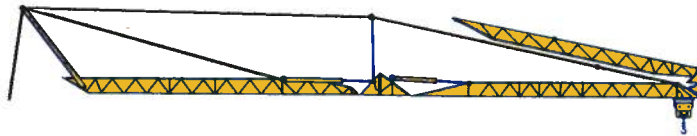
## Load diagrams



148'	11' ▶	38'	39'	43'	49'	56'	66'	67'	72'	82'	89'	98'	105'	115'	121'	131'	138'	148'	
▲/▼		13.2	12.41	11.2	9.35	7.98	6.5	-	5.75	4.89	4.43	3.86	3.54	3.14	2.91	2.61	2.44	2.2	1,000 x lbs
□								6.6	5.98	5.12	4.65	4.08	3.76	3.36	3.13	2.83	2.66	2.43	1,000 x lbs

131'	11' ▶		41'	43'	49'	56'	66'	72'	73'	82'	89'	98'	105'	115'	121'	131'			
▲/▼			13.2	12.48	10.41	8.91	7.28	6.46	-	5.49	4.98	4.35	4.01	3.56	3.31	2.98			1,000 x lbs
□								6.6	5.71	5.2	4.57	4.23	3.78	3.53	3.2				1,000 x lbs

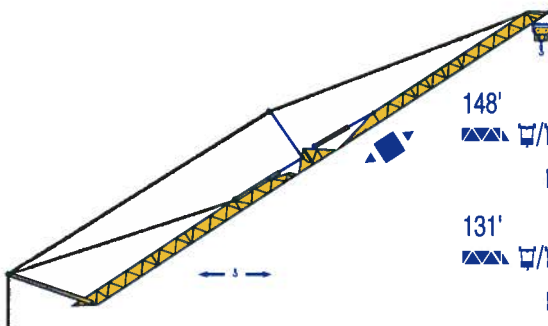
102'	11' ▶				50'	56'	66'	72'	82'	89'	90'	98'	102'						
▲/▼					13.2	11.49	9.44	8.4	7.19	6.53	-	5.73	5.51						1,000 x lbs
□										6.6	5.95	5.73							1,000 x lbs



148'	11' ▶		41'	43'	49'	56'	66'	72'	73'	82'	89'	98'	102'						
▲/▼			13.2	12.5	10.45	8.93	7.3	6.48	-	5.51	5	4.37	4.19						1,000 x lbs
□								6.6	5.73	5.23	4.59	4.41							1,000 x lbs

131'	11' ▶		42'	43'	49'	56'	66'	72'	76'	82'	89'	98'	102'						
▲/▼			13.2	13.1	10.94	9.35	7.65	6.79	-	5.8	5.25	4.61	4.41						1,000 x lbs
□								6.6	6.02	5.47	4.83	4.63							1,000 x lbs

## Luffing jib



148'	11' ▶	57'	58'	66'	72'	82'	89'	98'	105'	115'	121'	129'							
▲/▼		6.6	6.39	5.51	4.87	4.11	3.72	3.22	2.94	2.6	2.4	2.2							1,000 x lbs
□		6.6	5.73	5.09	4.33	3.94	3.44	3.16	2.82	2.62	2.43								1,000 x lbs

131'	11' ▶		62'	64'	72'	82'	89'	98'	105'	115'									
▲/▼			6.6	-	5.47	4.63	4.2	3.66	3.35	2.98									1,000 x lbs
□			6.6	5.69	4.85	4.42	3.88	3.57	3.2										1,000 x lbs

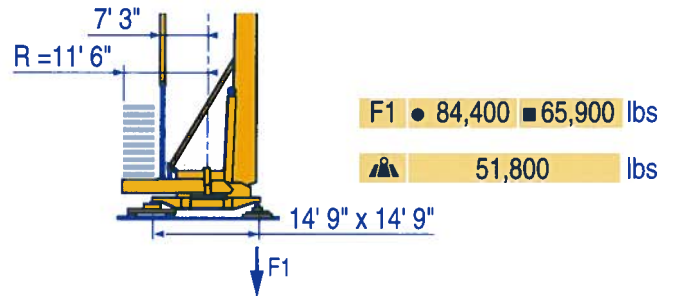
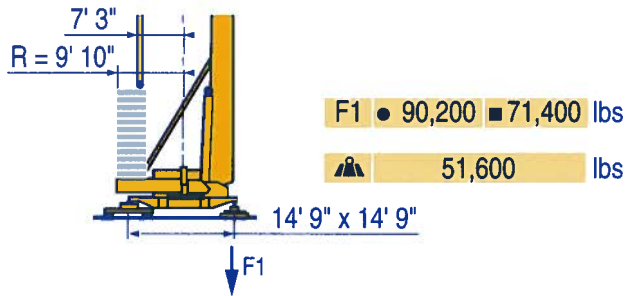
102'	11' ▶			77'	79'	82'	89'													
▲/▼				6.6	-	6.11	5.51													1,000 x lbs
□				6.6	6.33	5.73														1,000 x lbs

LRW 1



Traversing trolley

## Reactions



LRW 1

- Reactions in service
- Reactions out of service
- ▲ Without load, ballast (or transport axles), with maximum jib and maximum height.

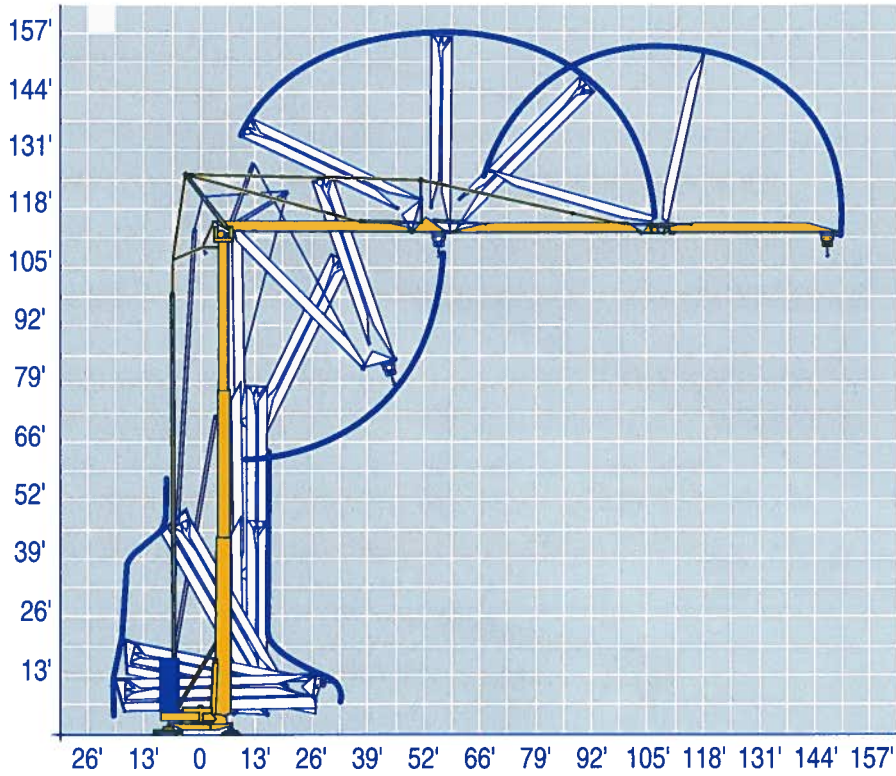
## Mechanisms

			Trolley			Hoist			ch - PS hp	kW
			●	▲	▲	●	▲	▲		
▲	20 LVF 15	fpm	21	106	213	11	53	106	24	18
		lbs	6,600	6,600	3,300	13,200	13,200	6,600		
▲	20 PC 15	fpm	26	106	213	13	53	106	24	18
		lbs	6,600	6,600	3,300	13,200	13,200	6,600		
◀ ▶	5 D3 V4.2	fpm	59 - 118 - 228						7.8	5.8
⦿	RVF 60	rpm	0 → 0,96						9.6	7.1
▲	TVDS 124	fpm	98						2 x 4.8	2 x 3.6
▲	TBS 124	fpm	98						2 x 4.8	2 x 3.6
CEI 38			IEC 38			kVA				
480V (+6% -10%) 60 Hz						20 LVF 15 - 20 PC 15 : 42 kVA				

LRW 1

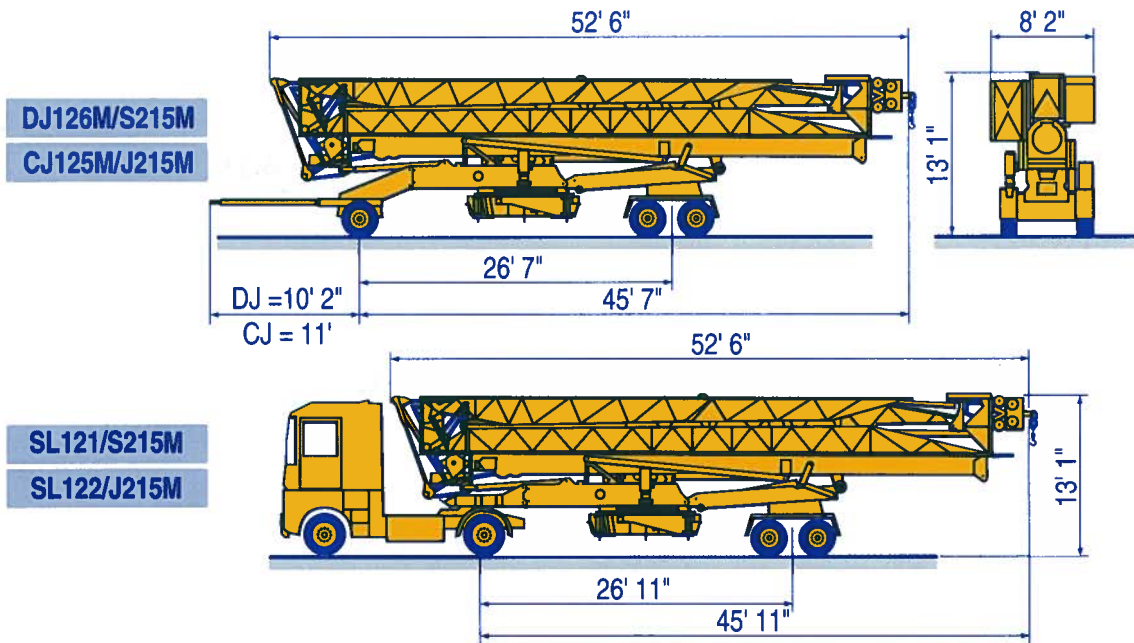
- ▲ Hoisting
- ◀ ▶ Trolleying
- ⦿ Slewing
- Travelling

# Erection



LRW 1

# Transport



LRW 1

# POTAIN

GRUPE LEGRIS INDUSTRIES

18.Rue de Charbonnières, B.P. 173  
F-69132 ECULLY Cedex  
Tél. (33)04.72.18.20.20  
Fax (33)04.72.18.20.00  
<http://www.potain.com>  
E-mail : mkt@potain.fr

**HDT 70 / us**

Copyright.Reproduction interdite © POTAIN 1999

**Deutschland**  
POTAIN GmbH  
**Italia**  
POTAIN S.p.A.  
**Singapore**  
POTAIN PTE LTD

Tel : 06.105.704.0  
Tel : 039.65.631  
Tel : (00.65) 227.1550

Réf. 1999.19 LRW 1

Subject to modification

Printed in France

Réalisation HeadLines