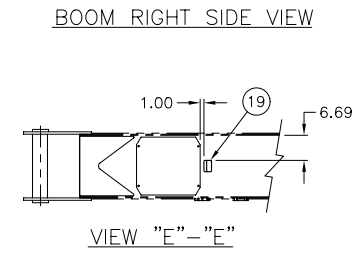
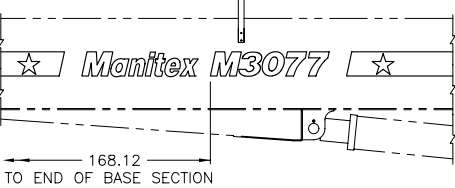
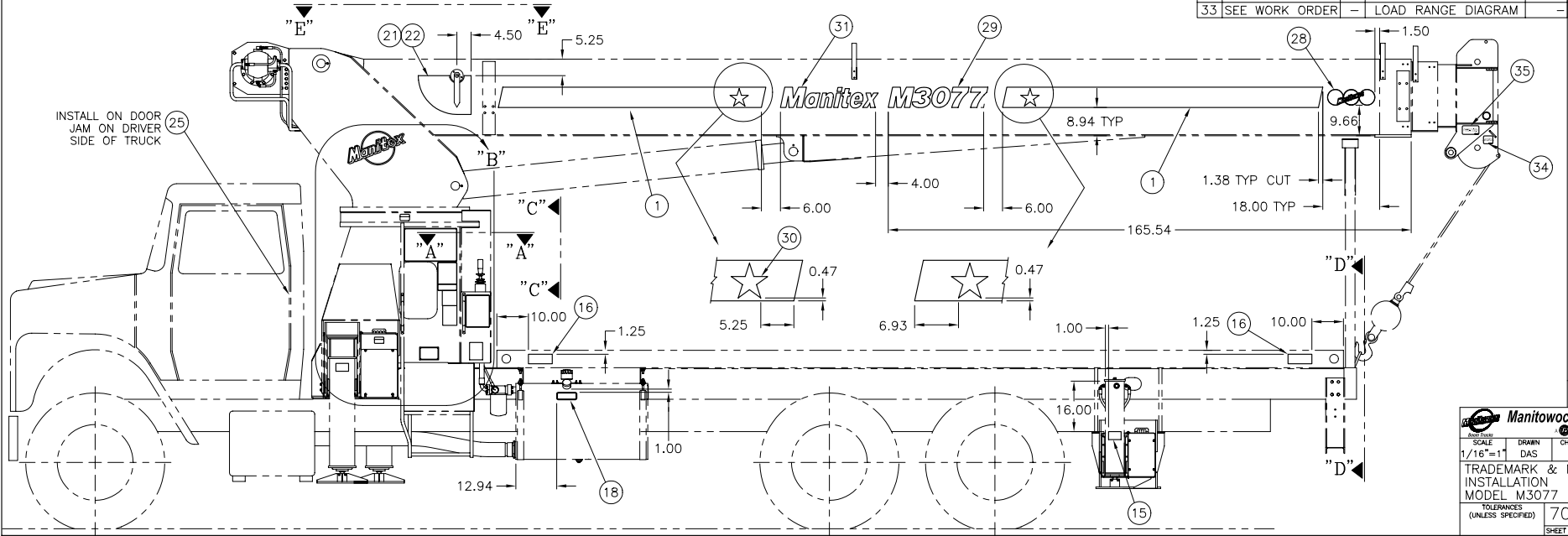


BILL OF MATERIAL				
ITEM NO.	PART NUMBER	QTY	DESCRIPTION	UNIT WEIGHT
34	4000237-001	2	DECAL, FASTEN BELT	-
35	4000240-001	2	DECAL, DO NOT USE	-



BILL OF MATERIAL					REVISIONS
ITEM NO.	PART NUMBER	QTY	DESCRIPTION	UNIT WEIGHT	
1	1000209-101	37	DECAL, BOOM STRIPE	-	EN 96-0014
2	4000118-001	1	SERIAL NUMBER PLATE	-	DAS 1-26-96
3	4000142-140	1	40" DECAL RH	-	NEW RELEASE
4	4000142-152	1	52" DECAL RH	-	EN 96-0014
5	4000142-164	1	64" DECAL RH	-	DAS 5-28-96
6	4000142-177	1	77" DECAL RH	-	A P/N WAS
7	4000142-240	1	40" DECAL LH	-	4000680-009
8	4000142-252	1	52" DECAL LH	-	ADDED
9	4000142-264	1	64" DECAL LH	-	EN 97-0002/B
10	4000142-277	1	77" DECAL LH	-	UPB 03-05-97
11	4000143-001	2	DECAL, CAUTION OPER	-	B ADDED ITEMS
12	4000144-001	2	DECAL, CRANE OPER	-	#34 & 35
13	4000145-001	2	DECAL, DANGER ELECT	-	
14	4000146-001	2	DECAL, CAUTION STAN	-	
15	4000147-001	2	DECAL, CAUTION STAN	-	
16	4000148-001	6	DECAL, DANGER ELECT	-	
17	4000151-001	2	DECAL, HAND SIGNAL	-	
18	4000152-001	1	DECAL, HYD FLUID RE	-	
19	4000153-001	8	DECAL, CAUTION DO N	-	
20	4000159-002	2	DECAL, MANITEX LOGO	-	
21	4000186-001	1	DECAL, BOOM ANG RH	-	
22	4000186-002	1	DECAL, BOOM ANG LH	-	
23	4000232-003	2	DECAL, START/STOP	-	
24	4000233-001	2	DECAL, HORN	-	
25	4000236-001	1	DECAL, VEHICAL CERT	-	
26	4000294-001	1	DECAL, SYSTEM PRESS	-	
27	4000298-002	2	DECAL, STAB/OUTRIGG	-	
28	4000530-001	2	DECAL, MANITOWOC WW	-	
A	4000684-011	2	DECAL, MODEL NO.	-	
30	4000681-001	4	DECAL, STAR	-	
A1	4000160-102	2	DECAL, MANITEX SIGN	-	
32	SEE WORK ORDER	-	LOAD RATING CHART	-	
33	SEE WORK ORDER	-	LOAD RANGE DIAGRAM	-	



DOCUMENT CONTROL STATUS:
ELECTRONIC FILE = CONTROLLED
HARD COPY = UNCONTROLLED

Manitowoc Boom Trucks, Inc.
© Manitowoc Group

SCALE	DRAWN	CHECKED	APPROV./DATE
1/16"=1'	DAS	EO	EO 1/96

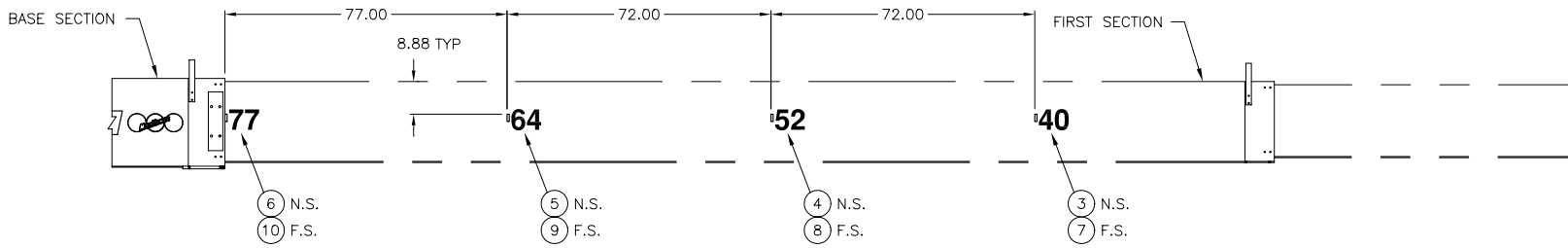
TRADEMARK & NAMEPLATE
INSTALLATION
MODEL M3077

TOLERANCES
(UNLESS SPECIFIED) 7000168-010

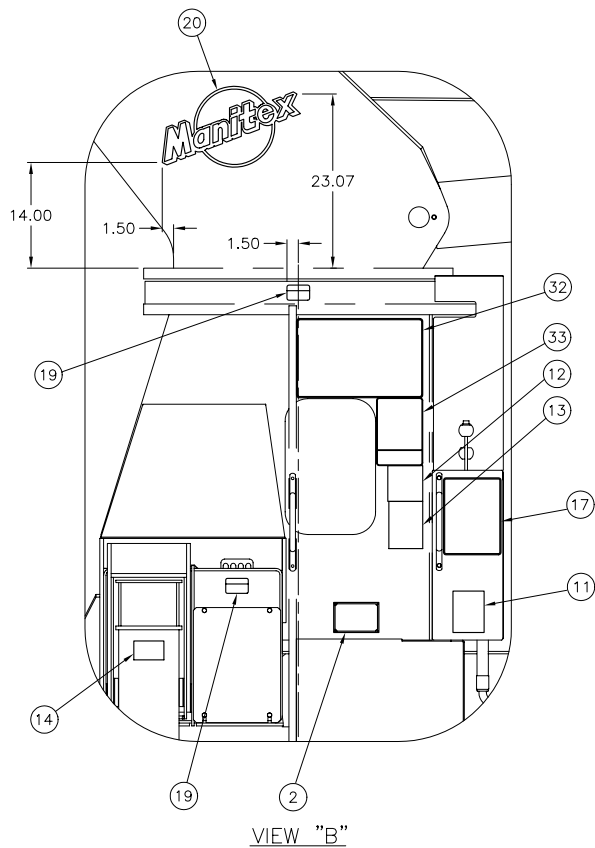
SHEET 1 OF 2

CAD FILE: MTC19478

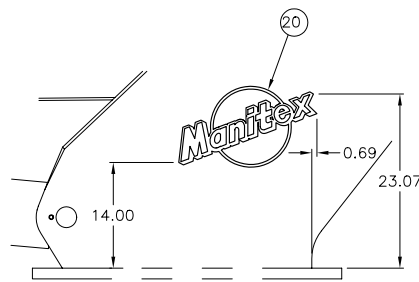
Used on cranes from 4/96 thru 6/00



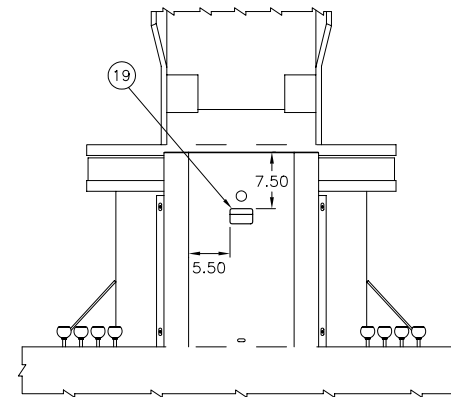
BOOM FULLY EXTENDED
SCALE 0.50



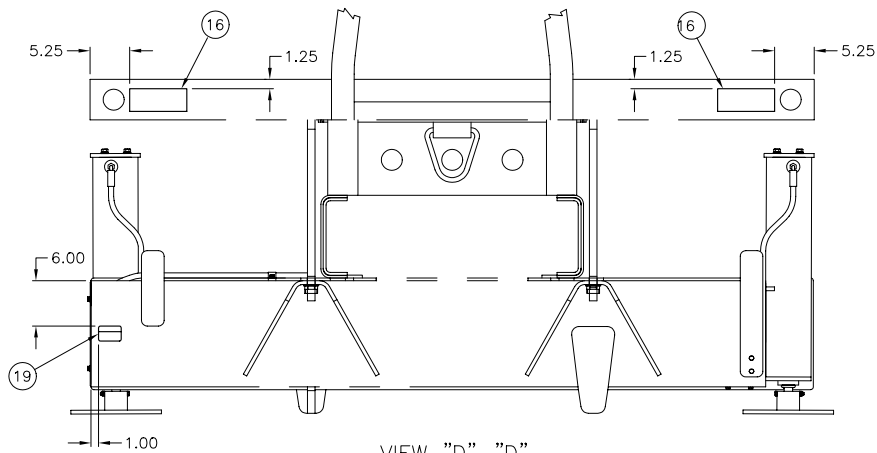
VIEW "B"



LEFT SIDE OF TURRET



VIEW "C"-"C"



VIEW "D"-"D"

REVISIONS	
EN 96-0014	DAS 1-26-96
	NEW RELEASE
EN 96-0014	DAS 5-28-96
A	SEE SHT 1
EN 97-0002/8	JPB 03-05-97
B	SEE SHEET 1

DOCUMENT CONTROL STATUS:			
ELECTRONIC FILE = CONTROLLED			
HANDSCRYPT = UNCONTROLLED			
Manitowoc Boom Trucks, Inc.			
SCALE	DRAWN	CHECKED	APPROV./DATE
1/8"=1"	DAS	EO	EO 1/96
TRADEMARK & NAMEPLATE			
INSTALLATION			
MODEL M3077			
TOLERANCES (UNLESS SPECIFIED)		7000168-010	
SHEET		2 OF 2	