

**Winlet**  
**770**



Pat. Pending

## ***Don't break your back - or the glass!***

- **Lifts 770 lbs**
- **Safer than manual handling**
- **Self propelled**
- **Improve job efficiency and work environment**
- **Access narrow doorways, elevators and balconies**
- **Twin wheels for rough terrain operations**

**GOOD  
DESIGN**

2011 Winner

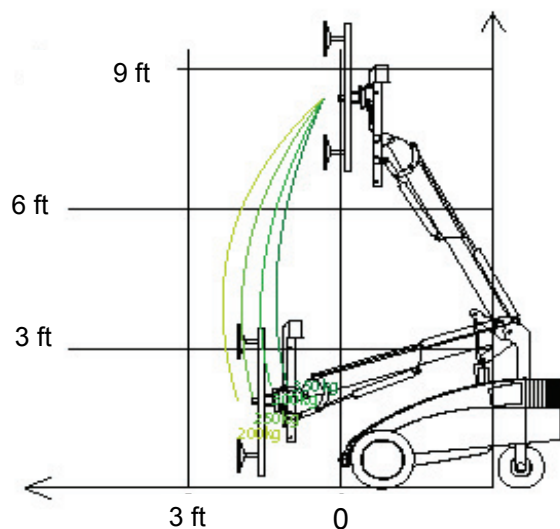
THE CHICAGO  
ATHENAEUM  
MUSEUM OF  
ARCHITECTURE  
AND DESIGN



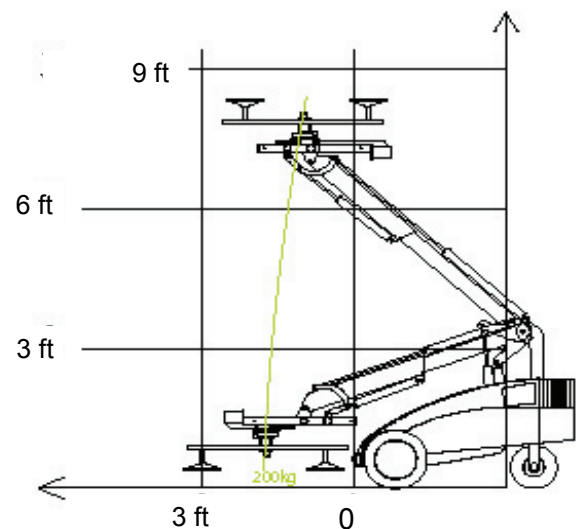
### **Lift airtight materials:**

- **Glass**
- **Granite**
- **Concrete**
- **Plastic Sheets**
- **Steel Plates**
- **Wooden Sheets**
- **Tiles / Marble**
- **Fire Doors**
- **Aluminum Sheets**

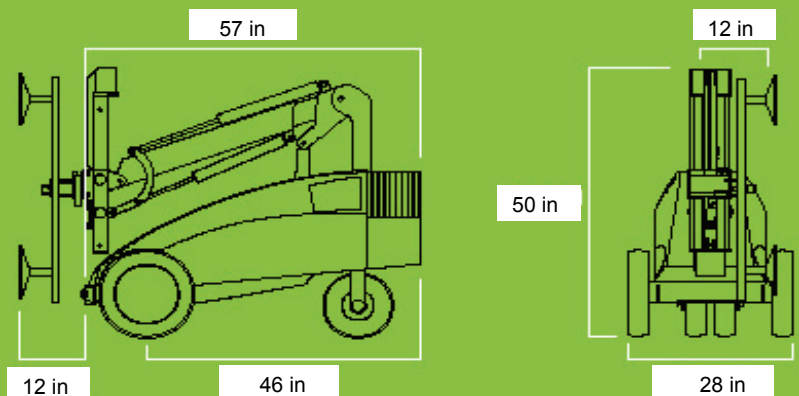
## REACH DIAGRAM



## PICKUP AND PLACE DIAGRAM



- **User friendly**
- **Easy to transport**
- **Increase efficiency**
- **Double action safety keys**
- **Improve safety on jobsites**
- **Gyro feature standard**
- **Increase your bottom line**
- **Multi functional control box**



## Specifications

External Length	4'9"
External Width	2'3"
Max. Lifting Capacity	770 lbs
Max Load at Max Extension	440 lbs
Total Weight - excl counterweight	860 lbs
Total Weight - incl counterweight	1090 lbs
Min. Extension	1'10"
(Front bumper to suction cup)	
Max Extension	3'5"
(Front bumper to suction cup)	
Max Lifting Height	9'4"
(to center of lifting yoke)	
Hydraulic Side Offset	4"
Fine Lift on Arm	1'8"
Tilt Function	140°
Hydraulic Rotation	360°
Suction cups	4 x 10 3/4"
Batteries	2 x 75AH



### Accessories

- **Twin wheels for rough terrain**
- **Support wheels - extra stability**
- **Lifting fork for pallets**
- **Lifting hook for straps**
- **Forklift Adapter**



### Superior Operator Interface

- **Operator friendly design**
- **Portable**
- **Easy to understand buttons and signal lights**
- **All functions in one place**
- **Double safety keys for material release**