

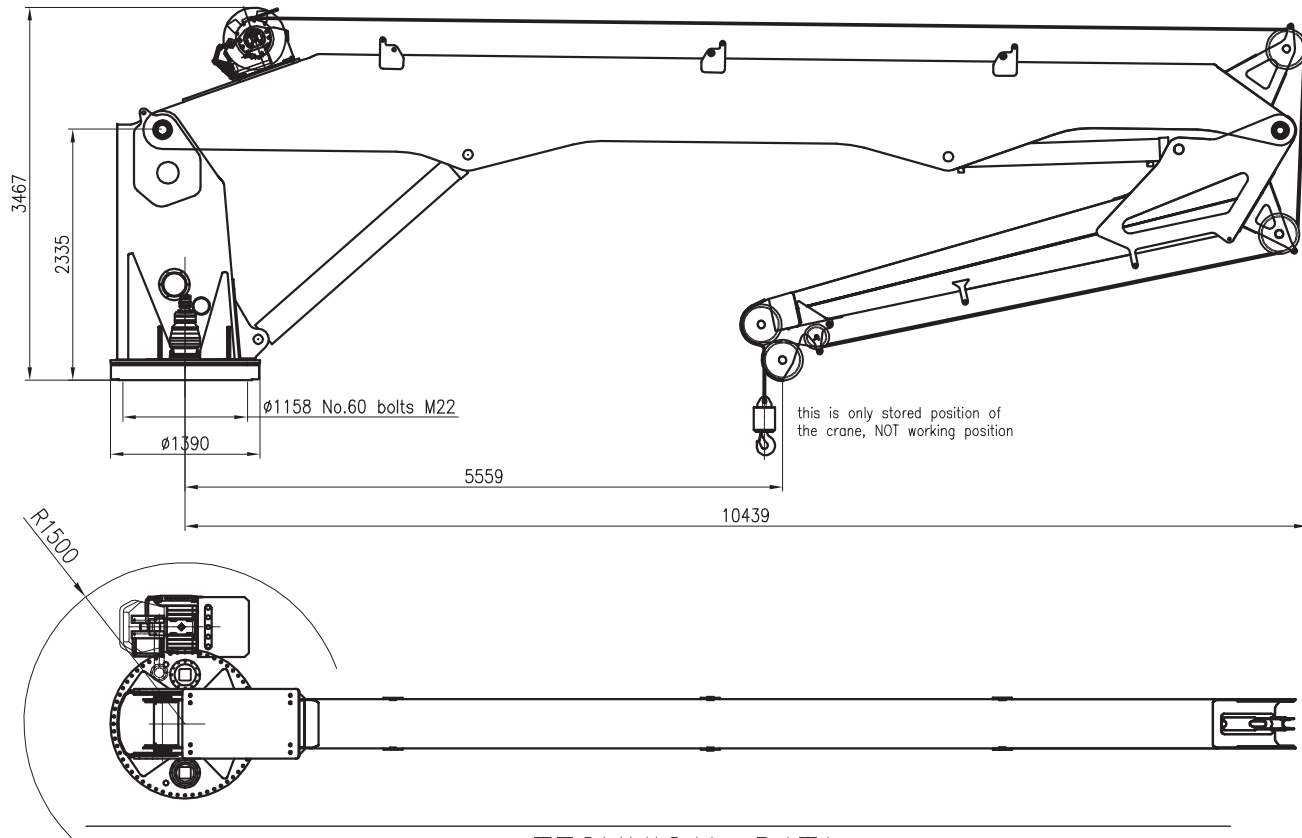


Custom Built Marine & Offshore Cranes

JIB KNUCKLEBOOM CRANE

HR 100/15-2BJ MODEL

TECHNICAL SPECIFICATION



TECHNICAL DATA

Max dynamic overturning moment (*)	142000	kg*m
Max dynamic vertical force (*)	18500	kg
Max dynamic radial force (*)	6900	kg
Max slewing torque	11700	kg*m
Slewing angle	Continuos	
Slewing speed	0.80	rpm
Max working pressure	290	bar
Oil flow	120	l/min
Recommended oil quantity	400	l
Power consumption	60	kW
Mass weight (excluding pedestal)	10000	kg
Winch SWL	5000	kg
Hoisting speed (@ max load / reduced load)	30	m/min
Total lenght of rope	75	m
Rope diameter	18	mm

(*) including dynamic factor amplified as per DNV Standard No.2.22, Shipboard crane

The technical data contained in this card are only indicative and can be changed without notice.

HEILA CRANES S.p.A. | Via Romana 34/6 - 42028 Poviglio (RE) Italy | info@heila.com | www.heila.com

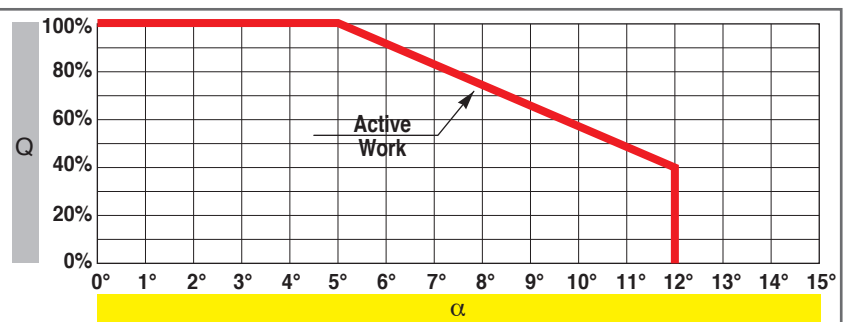
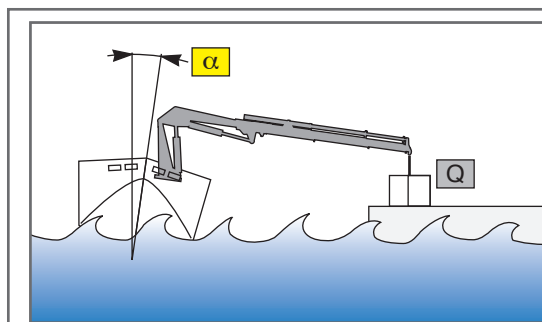
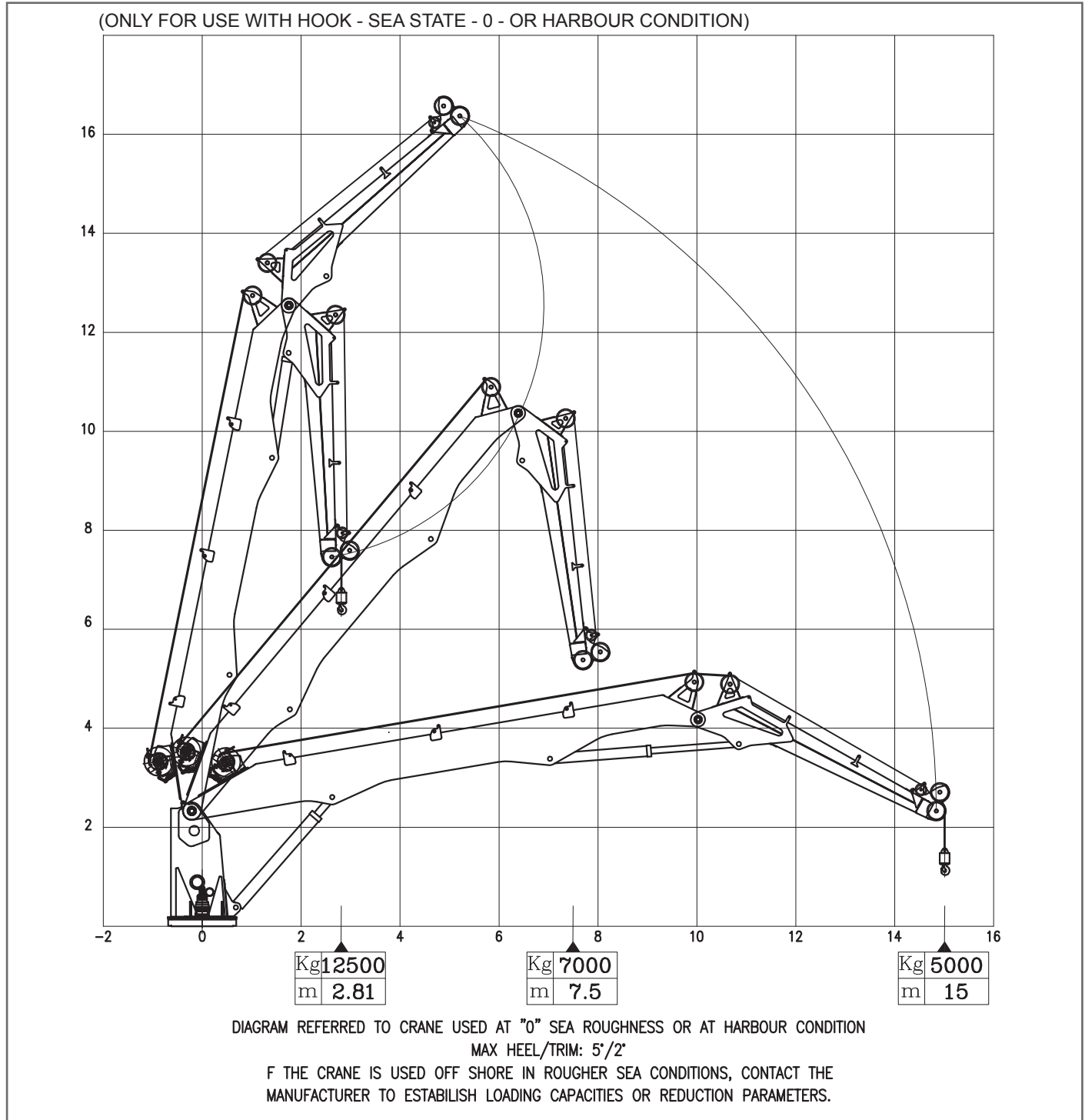


Custom Built Marine & Offshore Cranes

JIB KNUCKLEBOOM CRANE

HR 100/15-2BJ MODEL

TECHNICAL SPECIFICATION



The technical data contained in this card are only indicative and can be changed without notice.