

PANORAMIC - XG



The supremacy of ideas.

PANORAMIK

P 36.10

P 36.7

P 34.10

P 34.7



Side-shift/levelling front axle

P 36.7

P 36.7 PLUS

P 36.10

P 36.10 PLUS

Rigid front axle

P 34.7

P 34.7 PLUS

P 34.10

P 34.10 PLUS



DEFINING SUPREMACY



The cutting edge of technology

The PANORAMIC handler range clearly demonstrates Merlo's innovation and technology.

The unequalled performance, the turbocharged engine rated at 102HP, the boom sideshift and frame levelling devices together with the unique BSS and EAS suspension systems add up to

another incomparable solution from Merlo. A further demonstration of the company's dedicated commitment to the design of high-tech machinery, the result of ongoing research and development, and the experience acquired during forty years of leading the handler market.

EXCLUSIVE FEATURES

Power where it is needed

A double-acting hydraulic service with quick-connectors is standard equipment, for powering hydraulically operated attachments.

Outstanding versatility

The front tool-holder carriage, complete with its Tac-Lock hydraulic locking system, ensures instant interchange of attachments - directly controlled from the cab.

Boom side-shift

Some models feature Merlo's exclusive integral chassis side-shift mechanism which gently and precisely swings the telescopic boom and load into position.

Suspension

Merlo boom or electronic active axle suspension (depending upon model) assure the best operator comfort and most efficient load carrying.

Proportional controls

The operator can adjust the boom extension and lifting simply by adjusting the joystick.

Side mounted engine

The 4 cylinder turbo Euro 2 engine is side-mounted for visibility, stability and ease of service access.

Excellent ground clearance

The 'portal' type axles, designed and built by Merlo, ensure better ground clearance than traditional designs and were conceived exclusively for use on Merlo telescopic handlers.

Frame levelling

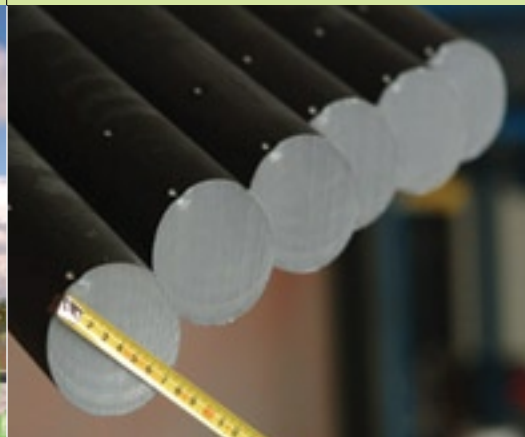
On some models the chassis can be hydraulically tilted, relative to the front axle, ensuring truly vertical lift on uneven surfaces.



The front and rear windows and upper door section can be opened for 'natural' ventilation.



The periphery of the PANORAMIC is protected against impact damage by a solid 'Ring of Steel', which is an integral part of the chassis.



Within Merlo, our specialisation in telescopic handlers guarantees continuing research into even the smallest details of design and production.



The PANORAMIC handler family includes models in the 7m and 10m class, with lifting capacities ranging from 3400 to 3600kg. Their exclusive features ensure maximum performance and ease of operation in even the toughest of applications.

Outstanding safety

As a standard fitting, the longitudinal stability control mechanism locks the telescopic boom if the machine's stability limits are approached (key-selected feature).

Convenient operator controls and clear instrument panel

All controls are accessible and convenient to operate. In front of the operator is a comprehensive instrument display, which can be read in all lighting conditions.

Total visibility

The PANORAMIC continues Merlo's legendary 360° visibility around the machine, particularly of both front and rear working areas.

Maximum comfort

The operator has the advantage of the widest handler cab currently available on the market, together with a redesigned driver's seat (with optional air suspension) that ensures excellent comfort.

Unequalled manoeuvrability

Merlo's design concept integrates all the components into an exceptionally compact package. The resulting excellent manoeuvrability and precision are further enhanced by a powerful engine and precise hydrostatic transmission.

Maximum accessibility

The side mounted engine and careful positioning of the transmission and hydraulic systems ensure excellent accessibility for maintenance. Technicians can work in total safety with their feet firmly on the ground.

Plastic fuel tank

The fuel tank is formed from plastic, which is more resistant to damage than metal, and easier to service.

Standard battery isolator

All models are equipped with a manual battery isolator switch. As an option, an automatic type is available.



The PANORAMIC range offers much more

- The largest cab currently available on the handler market
 - 4 cylinder turbocharged engine of 74.9kW (102HP)
 - Integral boom side-shift
 - Frame levelling mechanism
- Electronically controlled hydrostatic transmission
 - 2-speed mechanical gearbox
- Maximum travel speed 40kph (where permitted)
 - Permanent four wheel drive and 3 steer modes
 - BSS boom suspension or EAS active front axle suspension



Lifting



Digging



Handling



THE WINNING FEATURES



Spacious and comfortable cab - a new standard to beat

The PANORAMIC cabin has been designed around the driver - a modern synthesis of comfort and safety.

The cab frame conforms to ISO 3449 (FOPS) and ISO 3471 (ROPS) standards of protection and both steering wheel and seat are fully adjustable, to guarantee the best position for sitting and being able to reach all driving controls without a hand leaving the wheel.

The control layout is highly ergonomic and the generous cab interior is the widest on the current market.

Sun blinds on the overhead window and the upper part of the windscreen keep the sun from the operator's head and eyes (standard on PLUS model).

Excellent cool and hot air ventilation is provided through face and foot level vents, with a manually-controlled air conditioning system available as an option.

- ❶ Main instrument panel
- ❷ Finger-Touch forward/reverse direction lever
- ❸ Potentiometer speed adjustment
- ❹ Multi-purpose joystick
- ❺ Stability control system indicator
- ❻ Personal storage
- ❼ Adjustable steering wheel

The option air conditioning system ensures a very agreeable environment for the operator.

The joystick provides proportional control of all functions for easy and precise use.

Fully adjustable forwards and backwards, the new Merlo seat also features seat back and seat angle adjustment to comfortably accommodate any driver.



The ultimate in handler cab comfort

- 995mm interior working width
- 360° all-round visibility
- Structure complies with ISO 3449 (FOPS) and ISO 3471 (ROPS) standards
- Thinner window sealing to increase the practical glass area
- Ergonomic controls with intuitive actions
- Multi-purpose joystick for all boom controls

Easy access

Cab access is by means of a fully-opening, two section door (the upper section can be locked open), and is further facilitated by self-cleaning steps. The floor is flat and obstacle-free.

Everything to hand

Inside the cab are a number of boxes and shelves for personal storage. When fitted, the radio is housed in a secure compartment, out of sight.

Sound-reduction

An exceptional degree of cab sound-proofing results from detailed studies in active and passive sound-reduction engineering.

More comfort

As an option, a weight-adjustable air suspension seat isolates the driver from the majority of external vibrations, ensuring productive and safe working, especially during road travel.

Hydrostatic transmission - today's most advanced technology

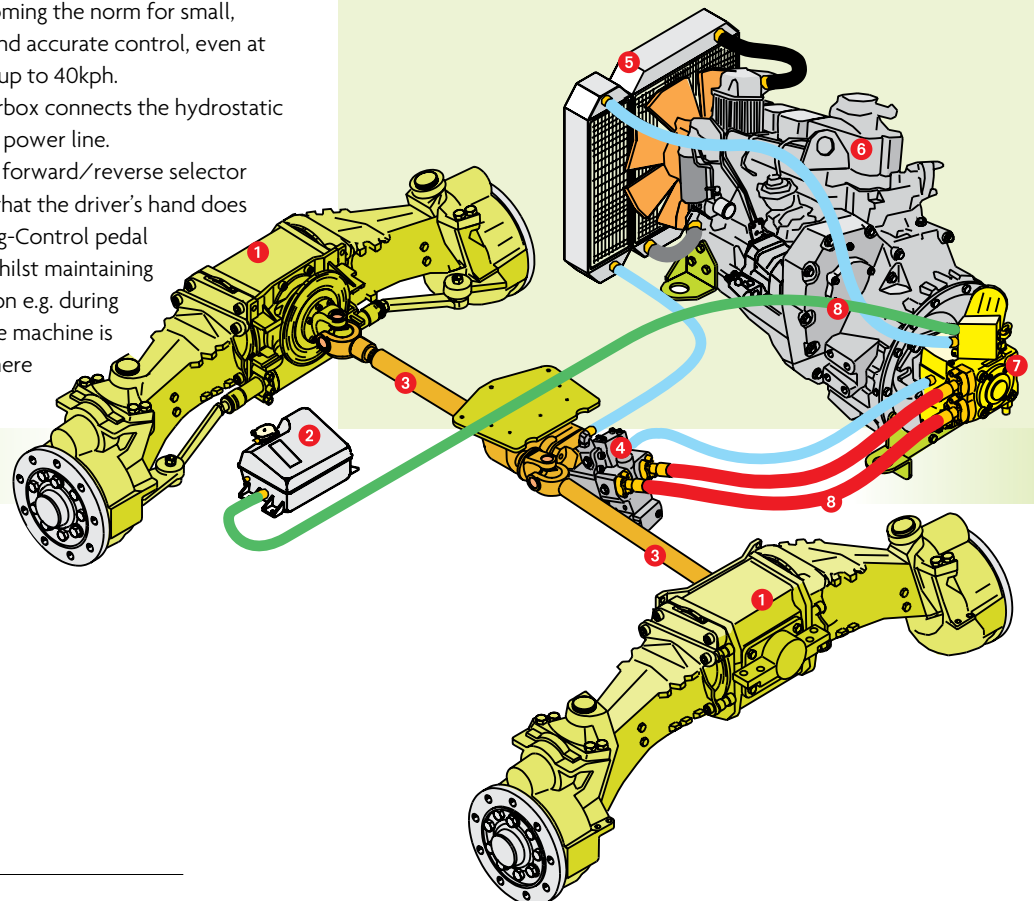
This type of transmission is rapidly becoming the norm for small, mobile equipment. It provides precise and accurate control, even at high engine power and at travel speeds up to 40kph. An electrically selected, two-speed gearbox connects the hydrostatic motor output to the conventional main power line. Directional control is by a Finger-Touch forward/reverse selector mounted on the steering column, such that the driver's hand does not have to leave the wheel. The Inching-Control pedal proportionately reduces travel speed whilst maintaining high engine speed for hydraulic operation e.g. during loading operations. Speed control of the machine is purely through the accelerator pedal, there being no 'gears' as such.



Side-mounted engine

All models are fitted with a 4-cylinder Deutz low emission (Euro 2) turbocharged engine. Water-cooled, it develops 74.9kW (102HP) at 2400rpm. Not surprisingly, with the high level of power and torque available the speed and performance have to be experienced to be believed.

The engine is mounted to the right side of the chassis, ensuring safe, easy access and maintenance from ground level. Its weight balances that of the cab, assisting Merlo's traditional high stability. The water and hydraulic fluid heat exchangers are easily cleaned after removing the optional quickly-detachable anti-straw protection grilles (standard on PLUS models).



- 1 Axle
- 2 Hydrostatic oil reservoir
- 3 Propshaft
- 4 Hydrostatic motor
- 5 Heat exchangers
- 6 Diesel engine
- 7 Hydraulic pump
- 8 Pipes

TECHNOLOGY AT WORK



Two Merlo suspension systems

Depending upon the model chosen, PANORAMIC machines can be fitted with one of two Merlo suspension systems to reduce driver fatigue and improve payload transport. These are an Electronically-controlled hydro-pneumatic Active Suspension for the front axle (EAS) or a hydraulic Boom Suspension System (BSS). Both systems provide efficient reduction in dynamic stress upon the vehicle and load, independent of the payload carried and without operator involvement.

Merlo suspension systems add greatly to driver comfort and can significantly reduce whole body vibration levels, increase dynamic stability, reduce payload lost in transit, improve roading performance, speed and productivity.

PANORAMIC	P 34.7 ⁽²⁾	P 34.10 ⁽²⁾	P 36.7 ⁽²⁾	P 36.10 ⁽²⁾
Suspension BSS ⁽¹⁾	●	●	●	●
Suspension EAS ⁽¹⁾	-	-	● ⁽³⁾	● ⁽³⁾

● Optional

BSS

The BSS suspension system includes hydro-pneumatic accumulators fitted to the lift service hydraulic cylinder of the telescopic boom; providing an effective dampening action against any strain transmitted to the payload during travelling.

EAS

The Electronic Active Suspension system can be fitted to PANORAMIC models fitted with the side-shift/levelling front axle. The EAS system utilises the axle's levelling cylinders (the tilt function is not effected). The active suspension works by integrating a system of hydro-pneumatic accumulators with a microprocessor electronic control device.

⁽¹⁾ Both systems cannot be fitted to the same machine

⁽²⁾ All versions

⁽³⁾ PLUS models

1 Lift service hydraulic cylinder

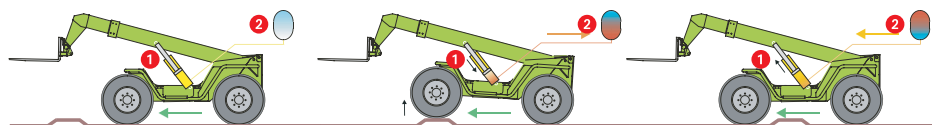
2 Gas accumulator

1 Microprocessors

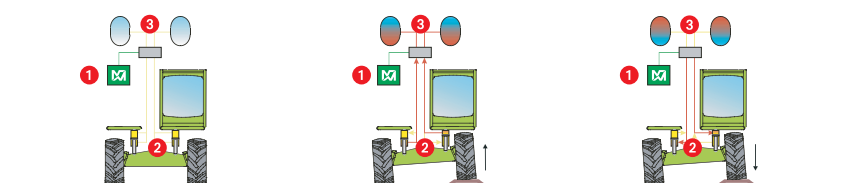
2 Levelling cylinders

3 Gas accumulator

BSS



EAS

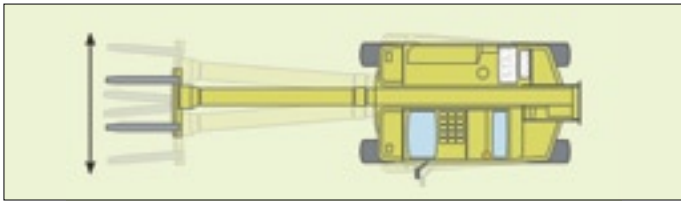


Boom side-shift – a Merlo exclusive

The integral chassis side-shift mechanism gently swings the upper part of the chassis, and with it, the telescopic boom across the longitudinal axis of the machine. The load can be precisely placed without repositioning the machine. Using the side-shift mechanism in no way detracts from the performance or stability of the PANORAMIC as it is an integral part of the design, not a mere attachment, and produces the following maximum sideways displacement

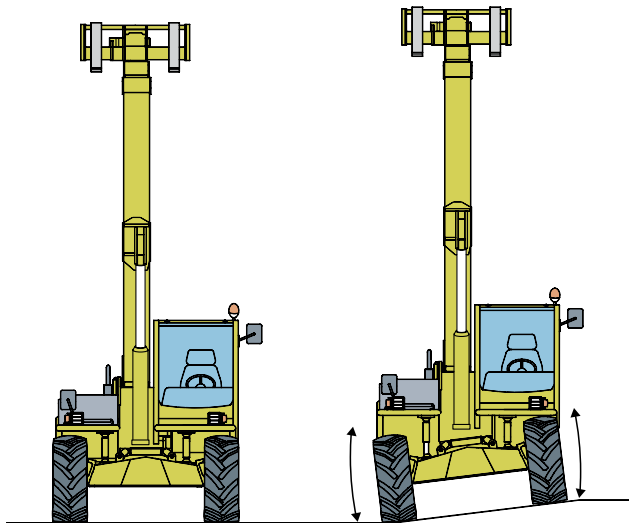
		P 36.7 ⁽¹⁾	P 36.10 ⁽¹⁾
Side-shift	mm	±190	±265

⁽¹⁾ All versions



Frame levelling

Acting hydraulically upon the front axle, frame levelling allows the chassis to be tilted relative to the front axle, ensuring truly vertical lift on uneven surfaces.



		P 36.7 ⁽¹⁾	P 36.10 ⁽¹⁾
Frame levelling		±10%	±10%

⁽¹⁾ All versions

Total safety

The longitudinal stability control system includes a key-operated function that activates an automatic lockout if the movements of the boom approach preset stability limits. The operator is also notified with audible and visual warning signals.

The hydraulic system

The hydraulic circuit is supplied by a 100lpm gear pump, so the flow rate is always directly proportional to engine speed. The operator controls through a fully proportional electro-mechanical joystick all the boom movements and the auxiliary services.

The telescopic boom

The sections comprising the telescopic boom are constructed of U-shaped steel fabrications welded together longitudinally close to their neutral axis. The hydraulic extension mechanism, hydraulic hoses and electrical cables are totally enclosed within the boom for maximum protection against damage.

Four wheel braking

Transmission braking is immediately available, simply by releasing the accelerator pedal. In addition, 4 large hydraulic service disc brakes are located on the exit shafts of the differential, inside the axle casings.

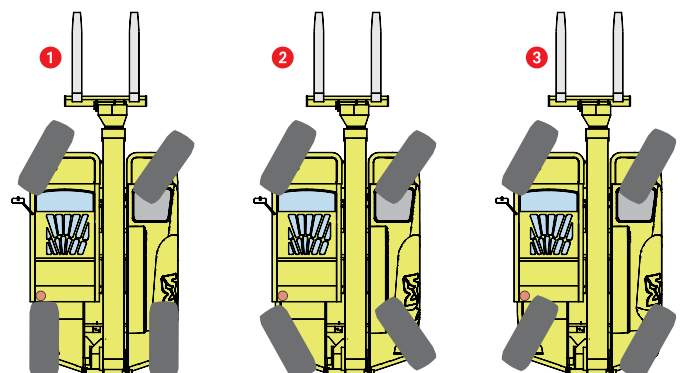
The braking system has two independent hydraulic circuits for safety and ease of operation.

An independent disc parking brake is located on the main transmission shaft. It is a spring operated automatic locking type which is hydraulically unlocked on subsequent start-up. The operator is also free to engage the park brake as required.

Three steering modes

The four drive wheels are all steered using a hydraulic servo-assisted system. The operator has a choice of three steering modes, as well as automatic wheel re-synchronisation in the event of misalignment.

- ❶ Front wheel steer (for road use).
- ❷ All wheel steer (for best manoeuvrability).
- ❸ Crab steer (for sideways motion).



PERFORMANCE AND DIMENSIONS



Cab

- Complies with ISO 3449 (FOPS) and ISO 3471 (ROPS) standards.
- '4 x 1' electro-mechanical joystick with roller-operated proportional control of extension and auxiliary services.

Boom

- Telescopic, with sections sliding on adjustable low-friction pads.
- Hydraulic extension mechanism, hydraulic pipes and electrics are totally enclosed within the boom assembly to ensure maximum protection and reliability.
- Integral boom side-shift mechanism (on some models).

Quick-attach carriage

- The Tac-Lock quick attachment fitting system is hydraulically controlled from the cab.
- Standard double-acting hydraulic service, with quick couplings, for the operation of hydraulically powered attachments.

Frame levelling (on some models)

- Hydraulically operated from the cab.

Forks

- Floating type. Length 1200mm. Section 130 x 50mm.
- Fork spacing is manually adjustable between 450 and 1050mm.

Steering

- Four drive/steer wheels, with automatic wheel synchronisation in the event of any misalignment and selection of three steering modes from the cab.

Engine

- Direct injection, water cooled 4 cylinder Deutz Euro 2 turbocharged diesel engine producing 74.9kW (102HP) at 2400rpm (97/68/CE).

Transmission

- Hydrostatic with electronically controlled variable displacement pump.
- Continuous and automatic speed variation, from zero to maximum speed, solely with the accelerator pedal.
- Two-speed mechanical range gearbox.
- Inching-Control pedal to proportionately reduce travel speed whilst maintaining high engine speed for hydraulic operation e.g. during loading operations.
- Finger-Touch system makes it possible to change between forward and reverse

direction with the driver keeping both hands firmly on the steering wheel.

- Permanent four-wheel drive.
- Portal axles ensuring excellent ground clearance.

Braking system

- Disk service brakes on all 4 wheels, hydraulically operated and acting on the differential output shafts.
- Disk parking brake with automatic locking feature and hydraulic release control, acting on the main transmission shaft.

Hydraulic system

- Gear pump equipped system.
- Maximum operating capacity: 100lpm.
- Working pressure: 210bar.

Electrics

- 12V system with 100Ah battery and 90A alternator.
- Full road lighting and rotating beacon.
- Manual battery isolator switch (optional automatic switch).

Service capacities

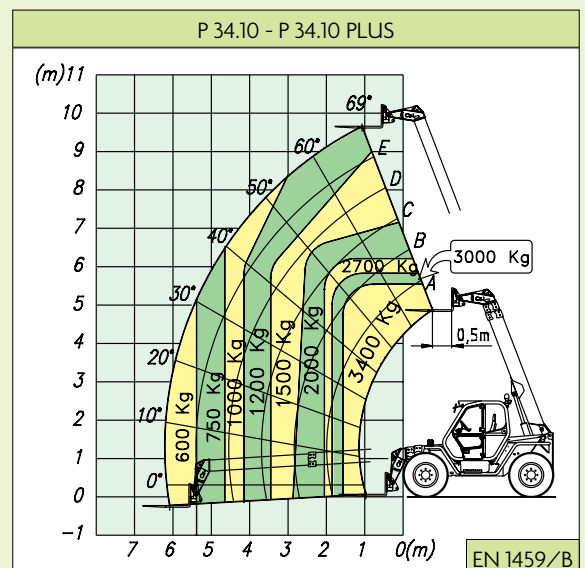
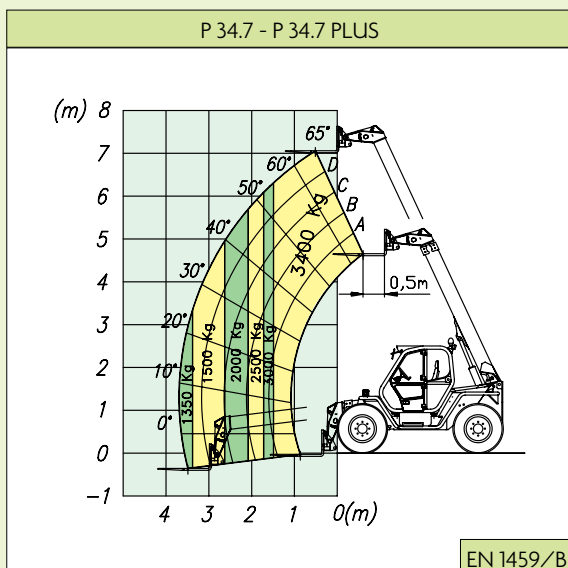
- Hydraulic oil: 105 litres
- Diesel fuel: 155 litres
- Hydrostatic oil: 12 litres
- Engine oil: 8.5 litres
- Coolant: 12 litres

Tyres

- 405/70-24 (optional 405/70-20 or 460/70LR24).

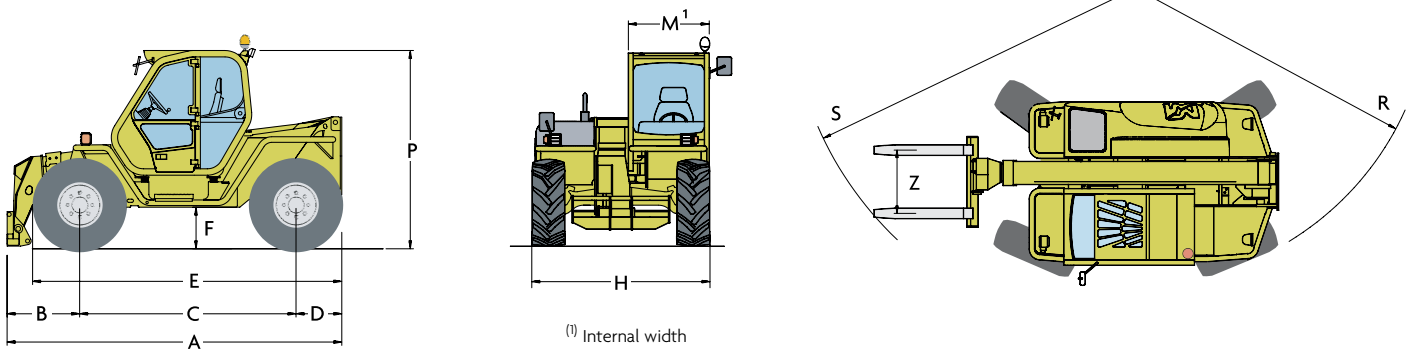
Available options

- Front and/or rear axle differential lock.
- Automatic battery isolator.
- Manual control air conditioning.
- Windscreen wiper on the roof window.
- Four working lights on the cab (two front lights and two rear).
- Pneumatic seat.
- Roof and front window mounted sun blinds (standard on PLUS models).
- BSS boom suspension system or EAS front axle suspension.

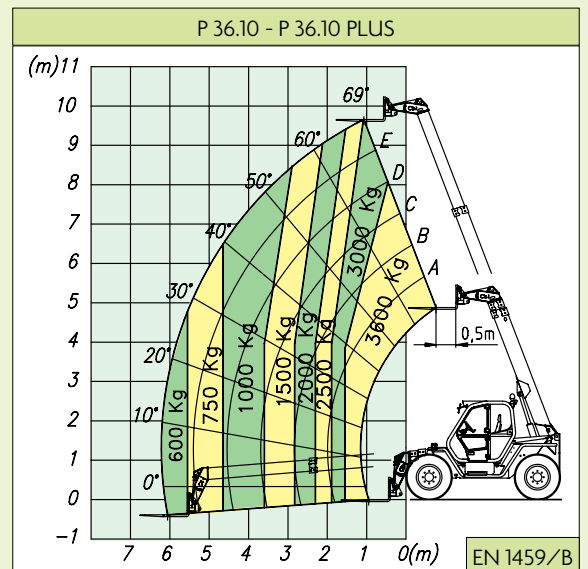
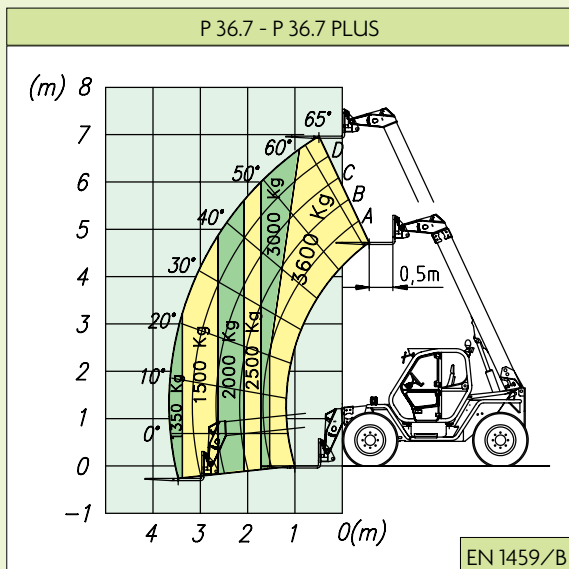


PANORAMIC	RIGID FRONT AXLE		SIDE-SHIFT + FRAME LEVELLING		
	P 34.7 P 34.7 PLUS	P 34.10 P 34.10 PLUS	P 36.7 P 36.7 PLUS	P 36.10 P 36.10 PLUS	
Weight					
Total empty weight (with forks)	kg	6600	7250	6760	7350
Performance					
Rated maximum load	kg	3400	3400	3600	3600
Maximum lift height	m	7	9.7	7	9.7
Maximum forward reach	m	3.65	6.2	3.65	6.2
Lift height at full capacity	m	7	5.5	7	8
Reach at full capacity	m	1.5	1.6	1.5	1.6
Capacity at full lift height	kg	3400	1200	3600	3000
Capacity at full forward reach	kg	1350	600	1350	600
Low emission (Euro 2) turbo engine		turbo	turbo	turbo	turbo
Power at 2400rpm (97/68/CE)	kW/HP	74.9/102	74.9/102	74.9/102	74.9/102
Speed ratios					
1 st gear	kph	7/11 ⁽¹⁾	7/11 ⁽¹⁾	7/11 ⁽¹⁾	7/11 ⁽¹⁾
2 nd gear (self-limiting maximum speed)	kph	25/40 ⁽¹⁾	25/40 ⁽¹⁾	25/40 ⁽¹⁾	25/40 ⁽¹⁾
Dimensions					
A	mm	4180	4340	4300	4340
B	mm	905	1060	980	1010
C	mm	2700	2700	2750	2750
D	mm	570	570	570	570
E	mm	3865	3865	3915	3915
F	mm	565	565	565	565
H	mm	2230	2230	2230	2230
M	mm	995	995	995	995
P	mm	2475	2475	2475	2475
R	mm	3985	3985	4050	4050
S	mm	4670	4850	4800	4850
Z	mm	850	850	850	850

⁽¹⁾ 11kph and 40kph are the maximum speed ratios in PLUS models



⁽¹⁾ Internal width





Help is always nearby

Day after day, choosing a Merlo product brings the advantages of the most advanced technology and the practicality of safe and comfortable equipment, of which the very best can be expected.

Merlo Service ensures a close and continuing bond with the customer, provided by a worldwide network of more than 500 Service Centres guaranteeing experienced and trained technical assistance close at hand.

Building professionalism

Evidently, carelessness and a lack of respect for the basic principles of safety are often the causes of accidents with lifting equipment, often through the lack of an adequate training scheme. The close link between training and safety is a part of everyone's experience and must be continually updated as part of our professional development, a role for which the new Merlo Research and Training Centre is admirably suited.



MERLO S.P.A.
Via Nazionale 9
12020 S. Defendente di Cervasca - Cuneo - Italia
Tel. +39 0171 614111 - Fax +39 0171 614100
www.merlo.com info@merlo.com

COMPANY
WITH QUALITY MANAGEMENT
SYSTEM CERTIFIED BY DNV
ISO 9001:2000