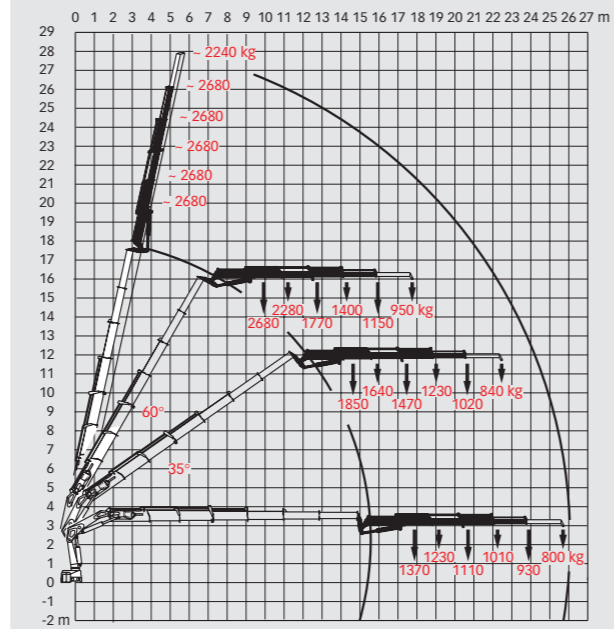
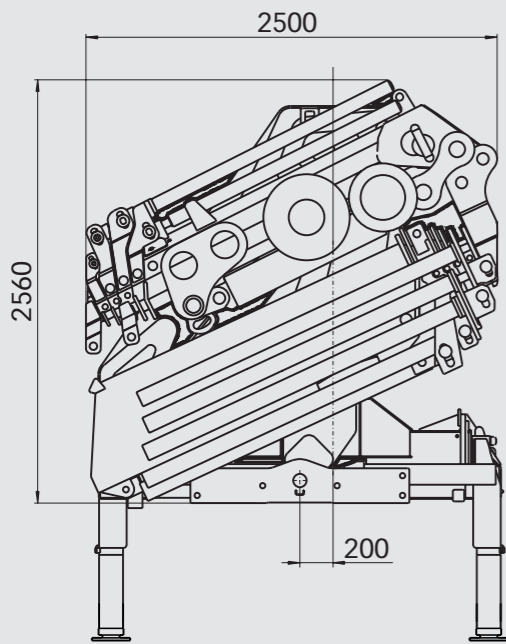
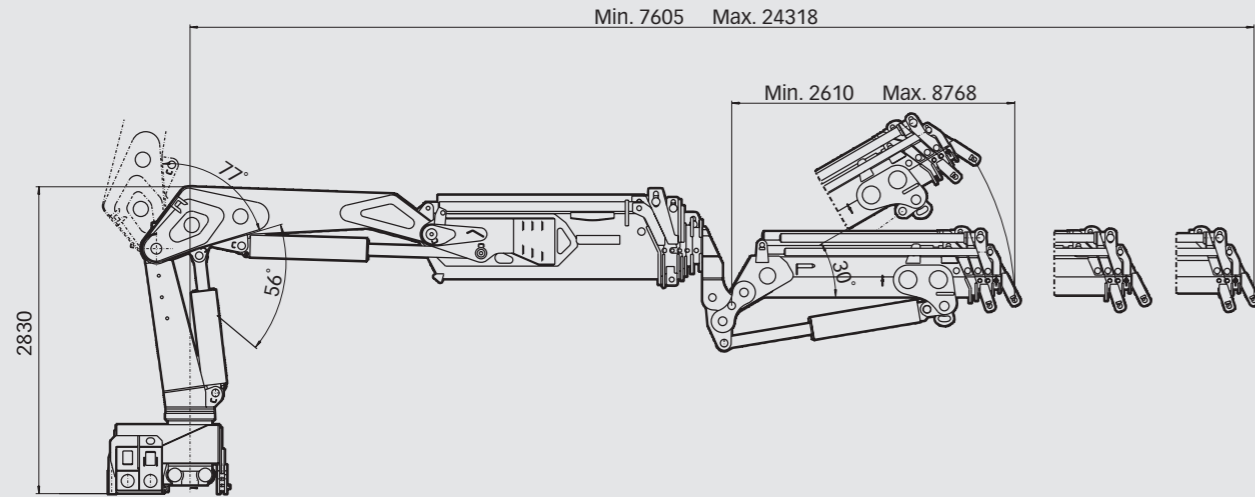
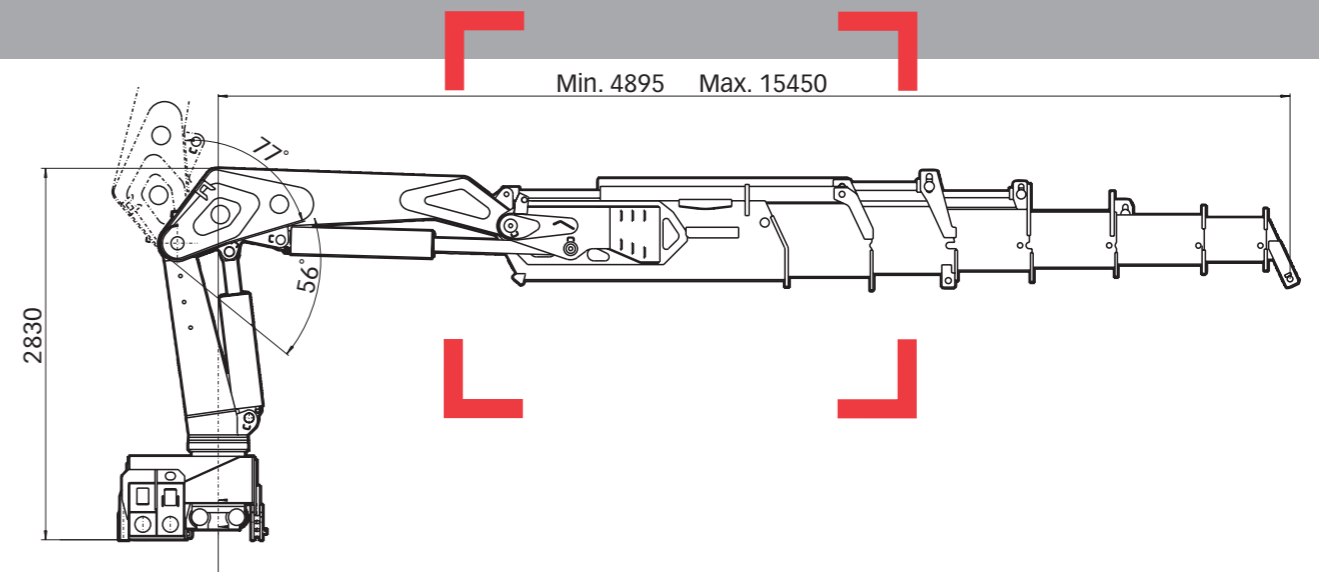


HIAB 550 Basic data

> HIAB 550-6 jib 135-4



HIAB 550 Capacity 55 tm



Basic data

Disclaimer

Hiab cranes has been built to meet the highest standards of safety and service life and has been thoroughly tested. Strength calculations have been carried out in accordance with DIN 15018, crane group B3. Hiab's certified Quality Assurance System complies with the ISO 9001. Some of the items in our literature may be extra equipment. Certain applications may require an official permit. We reserve the right to change technical specifications without prior notice. Hiab cranes produced for EU-countries are CE-marked and comply with the European Standard EN 12999.

BD-550-EN-EU/04/09/28

www.hiab.com



HIAB 550 Basic data

Technical data

	550-2	550-3	550-4	550-5	550-6
Max. lifting capacity (kNm)	536	523	515	506	498
Outreach - hydraulic extensions (m)	7.6	9.8	11.7	13.5	15.4
Outreach - manual extensions (m)	23.4	23.4	23.4	23.4	23.4
Outreach - jib (m)	-	18.7	20.6	22.4	24.3
Outreach / lifting capacity (m / kg)	2.8 / 18000*	2.8 / 18000*	2.7 / 18000*	2.7 / 18000*	2.6 / 18000*
	3.5 / 15000*	3.4 / 15000*	3.3 / 15000*	3.3 / 15000*	3.2 / 15000*
	4.3 / 12700	4.3 / 12400*	4.3 / 12200*	4.3 / 12000*	4.3 / 11800*
	5.8 / 9400	4.7 / 11300	4.7 / 11000	4.7 / 10900	4.7 / 10700
	7.5 / 7200	6.3 / 8400	6.3 / 8200	6.3 / 8000	6.3 / 7800
	-	7.9 / 6600	7.9 / 6400	7.9 / 6200	7.9 / 6000
	-	9.6 / 5400	9.6 / 5200	9.6 / 5000	9.6 / 4800
	-	-	11.4 / 4300	11.4 / 4100	11.4 / 3900
	-	-	-	13.2 / 3500	13.2 / 3300
	-	-	-	-	15.1 / 2900
Outreach / Lifting capacity, with jib (m / kg)	-	12.3 / 3200	14.1 / 2430	15.9 / 1860	17.8 / 1370
	-	13.7 / 2820	15.5 / 2160	17.3 / 1670	19.2 / 1230
	-	15.2 / 2370	17.0 / 1940	18.8 / 1500	20.7 / 1110
	-	16.9 / 1780	18.6 / 1750	20.4 / 1370	22.3 / 1010
	-	18.6 / 1420	20.3 / 1420	22.0 / 1260	23.9 / 930
Slewing angle	415°	415°	415°	415°	415°
Height in folded position (mm)	2400	2400	2400	2400	2400
Width in folded position (mm)	2485	2485	2485	2500	2500
Installation space needed (mm)	1560	1560	1690	1720	1720
Weight - "standard" crane without stabilizers (kg)	4475	4815	5070	5320	5535
Weight - stabilizer equipment (kg)	1130 - 1240	1130 - 1240	1130 - 1240	1130 - 1240	1130 - 1240
Weight - jib (kg)	-	1339**	1328**	1302**	1298**

* May require special hook or special hook position

** Incl. hose and pipe kit

HIAB 550-6

