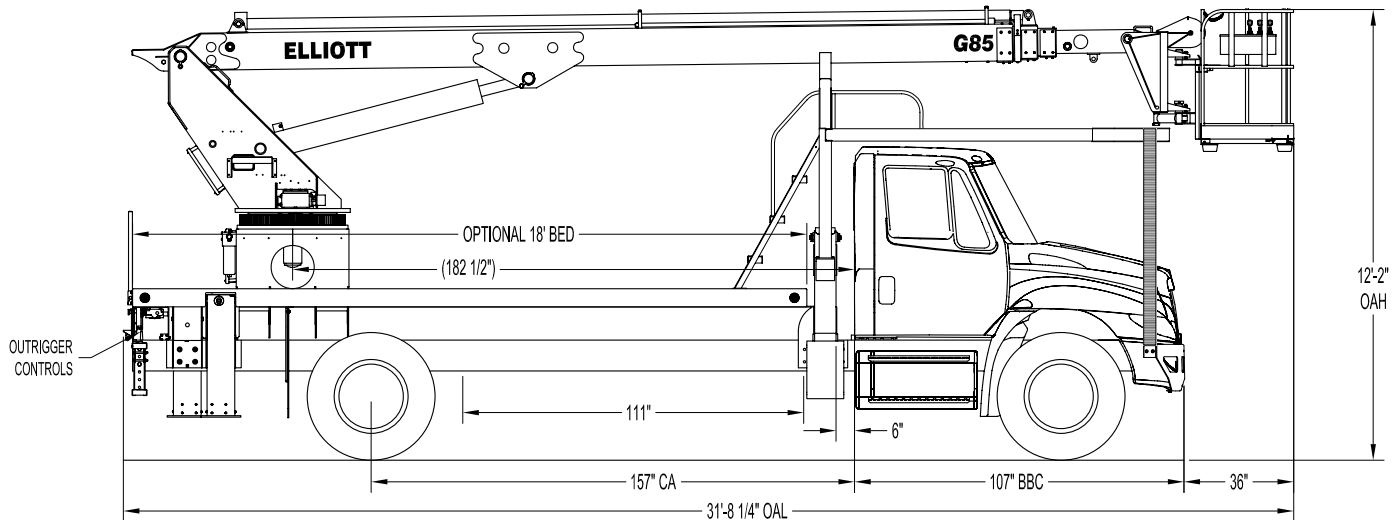




### G85R SIDE VIEW DIAGRAM



- |  |                    |   |                     |
|--|--------------------|---|---------------------|
| • <b>Working Height</b>                | 85'/25.9 m         | • <b>Powered Boom Sections</b>          | 4                   |
| • <b>Working Side Reach</b>            | 61'/18.6 m         | • <b>Overall Height</b>                 | 12'2"/3.7m          |
| • <b>Platform Capacity</b>             | 500 lbs/227 kg     | • <b>Unit Weight (Bare)</b>             | 18,000 lbs/8,165 kg |
| • <b>Platform Size</b>                 | 30x54 in/76x137 cm | • <b>Outrigger Spread Main</b>          | 18'/5.5m            |
| • <b>Platform Type</b>                 | EZR                | • <b>Outrigger Spread Auxiliary</b>     | 12'/3.6m            |
| • <b>Lifting Capacity (Main Winch)</b> | 5,900 lbs/2,676 kg | • <b>Front Gross Axle Weight Rating</b> | 13,000 lbs/5,896 kg |
| • <b>Jib Winch</b>                     | 500 lbs/227 kg     | • <b>Rear Gross Axle Weight Rating</b>  | 20,000 lbs/9,072 kg |

**TECHNICAL SPECIFICATIONS**

**Maximum Platform Height:** 80' ground to platform floor.

**Working Range:** 85' max. height and 61' max. side reach.

**Work Platform:** 30"x54" EZR end-hung work platform with 40" high rails. Equipped with two safety lanyard attachment loops and two safety harnesses and 72" lanyards. Platform capacity 500 lbs.

**Platform Leveling System:** Hydraulic "closed" system consisting of twin platform cylinders interacting with a boom-actuated master cylinder mounted in boom support turret. System provided with factory-set relief valves to compensate for oil expansion or overload during platform leveling operation. Remote releveling controls provided in platform and at ground controls to give precise releveling capability.

**Platform Controls:** Three individual proportional electronic controllers meter pilot-operated, pressure-compensated modulating valves. Remote controls for boom operations from platform operate from a removable remote control box. Hi/Lo range, start/stop and engine speed toggle controls are also located at platform. Electric remote control cable extends through the electrical slip ring to cable carrier on side of boom to extending boom sections.

**Lower Controls:** Mounted on roadside of turret.

**Outrigger Controls:** Parallel open-center stack valve for lever-operated control of right and left outriggers. The outrigger valves are mounted at the rear, under each corner of the bed with roadside valve controlling roadside outriggers and curbside valve controlling curbside outriggers.

**Outriggers:** "A" type auxiliary outriggers with 12' spread. "MH" type out and down main outriggers with 18'

spread.

**Frame:** One piece, all welded, box-type fabrication with integral outrigger mounts.

**Turret:** Reverse offset turret is one-piece weldment mounted on turret box. Turret rotates on large diameter ball bearing.

**Rotation:** Continuous turret rotation with no stops. Hydraulic motor drives turret through self-locking gear box.

**Boom:** Steel rectangular tube sections. Assembly includes heavy-duty cylinder fittings, pivot pins, and replaceable wear pads.

**Boom Extension:** Two opposing "piggyback" extension cylinders and one overslung cylinder extend the boom sections.

**Lift:** One single-acting full displacement, long stroke cylinder, provides smooth and stable boom elevation. Holding valve prevents boom from falling in event of hose failure.

**Cylinders:** All cylinders use microhoned cylinder tubing, chrome shafts, top grade packing and protective rod wipers. Cylinder-mounted holding valves provided on all load-holding cylinders.

**Hoses:** All high pressure hoses are wire braid reinforced with a minimum safety factor of 4 to 1.

**Oil Tank Capacity:** 35 gallon mounted to truck frame on roadside.

**Hydraulic System:** Operating pressure is 2,500 PSI. System is parallel open center type and is equipped with liquid-filled pressure gauge. Oil is supplied to upper cylinders through hydraulic union in center of turret to cable carrier along side of the boom.

**Pump:** Gear type, direct mount to truck PTO.

**PTO:** Heavy-duty, high-speed. Cable engaged from cab.

**Cab Equipment:** PTO cable or switch with indicator lights installed in truck cab. Engine speed control and start/stop installed with control switches in platform remote control box and also located at lower controls. U/L approved 5:BC dry chemical fire extinguisher installed in truck cab.

**Operators Manual & Video:** Two CDs and one printed copy of operation, maintenance, safety and parts manual provided with each unit. Operational and safety video provided at delivery.

**Installation:** Unit installed on truck, painted, system and tank filled with oil, tested, inspected, and ready to operate.

**Standard Paint:** Paint boom and turret red, outriggers red, and bed and boxes black. Top of steel bed painted with black nonskid surface.

**Bumper:** Bureau of Motor Carrier Safety rear bumper.

**Weight:** Approximately 19,800 lbs. with 18' steel-floor bed less truck.

**Truck Chassis Required:** Approx. 156" C.A. RBM 1,600,000 in-lb. per rail, 13,000 lb. front axle and 33,000 lb. GVWR required. Trucks must have increased cooling, heavy-duty front and rear springs, 12V electrical system with high capacity alternator, cab clearance stop/tail/backup lights, and I.D. lamps. Recommended GVWR is minimum for HI-REACH with flatbed only. Contact factory when additional equipment is to be added.

**Options:**

5,900 lb or 2,000 lb Capacity Boom Winch.

500 lb Capacity Platform Material Handling Jib.

Welder, Air, and 110V Lines to Platform.

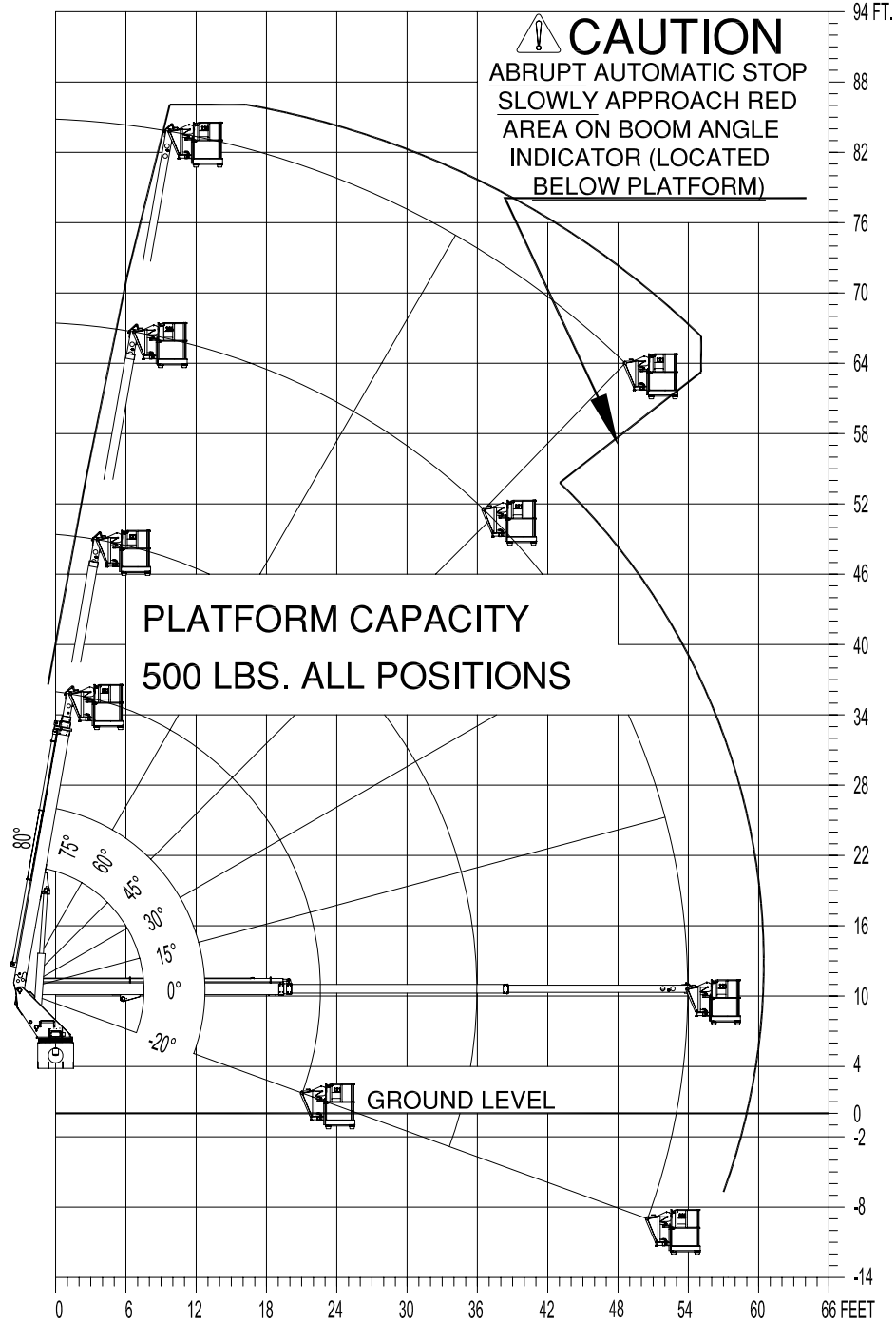
Cab Guard With Platform Access.

Much more....

Elliott Equipment Company reserves the right to change the specification of any unit at any time without prior notice. This brochure is only a statement of general specifications on the date of this publication. For more detailed info on specific Elliott trucks go to [www.elliottequip.com](http://www.elliottequip.com)

MAXIMUM WORKING RANGE

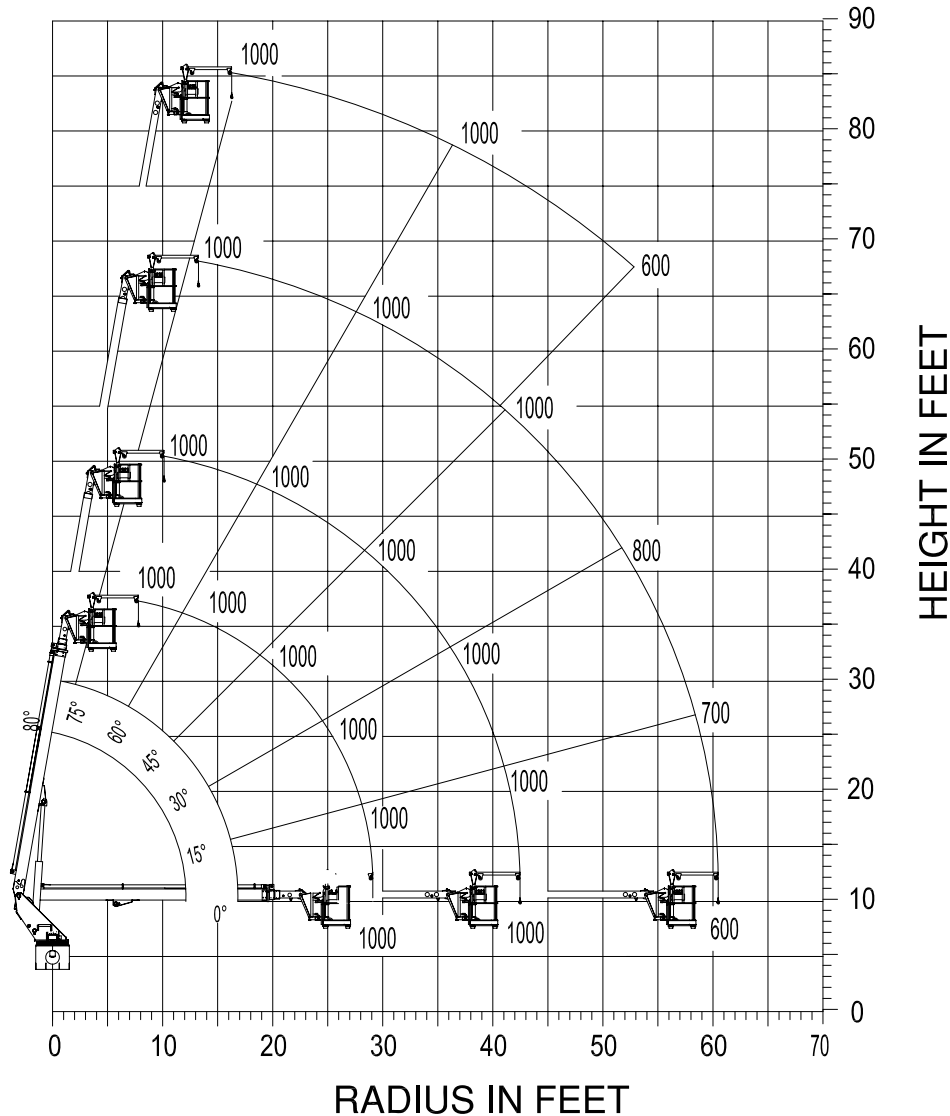
PLATFORM WORKING RANGE  
MODEL G85



MAXIMUM JIB WORKING LOADS

**MAXIMUM WORKING LOADS**  
**500 LBS. PLATFORM JIB OPERATION**  
**MODEL G85**

**TOTAL PLATFORM CAPACITY (JIB LOAD PLUS PERSONNEL)**  
USE OUTRIGGERS AT ALL TIMES • AVOID JERKING LOAD  
360° BOOM RADIUS



JIB 500 LBS. MAX. PERSONNEL 500 LBS. MAX.

**CHASSIS DATA**

	G85R
Wheelbase (WB)	224" / 569 cm
Cab to Axle (CA)	156" / 396 cm
Cab to End of Frame (EOF)	240" / 610 cm
Frame Section Modulus	13.3 in3 / 120,000 psi / 827,371 kPa
Front Axle Gross Weight Rating	13,000 lb / 5,896 kg
Rear Axle Gross Weight Rating	20,000 lb / 9,072 kg
Extended Front Frame	N/A

Chassis data is minimum general requirements-not for engineering.  
Actual dimensions and truck data will depend on truck selection and axle configuration.

**OPTIONS**



**MH Outriggers With Shortjacking**

Reduce outrigger spread with MH outriggers behind the cab and Elliott's automatic safety rotation lockout to operate your HiReach in confined spaces.



**Platform Material Handling Jib**

Equip your HiReach platform with a material handling jib crane to lift up to 500 pounds right from the platform.



**High Capacity Boom Winch**

Explore the 5,900 lb or 2,000 lb capacity boom winch options that convert the HiReach into a combination aerial work platform and crane.



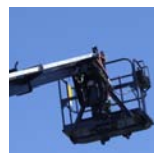
**Outrigger Pad Holders**

Outrigger pad holders safely store your pads for travel and leave plenty of room for tool boxes.



**Bed Accessories**

Mount a wide variety of tool accessories including welders, power washers, and generators on the bed with lines to the platform.



**Platform Accessories**

Choose from a list of platform accessories including 110V outlets, welding leads, hydraulic tools, and much more.



**High Clearance Outriggers**

Our specialized high clearance outriggers provide additional vertical clearance, making it easy to operate along side guard rails or on uneven terrain.



**Line Body**

Let us work with you to customize a line body to secure your tools and supplies the the best way for your application.