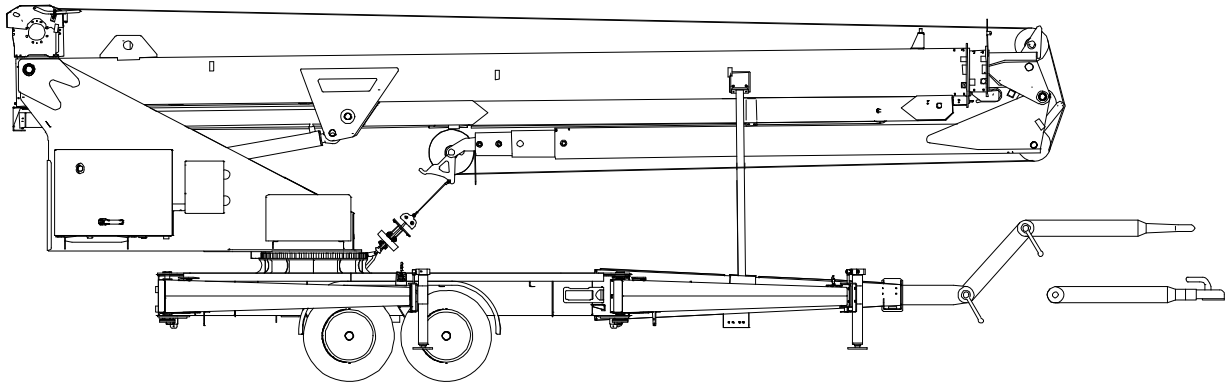


## Böcker Aluminium-Trailer Crane – AHK 30/1600

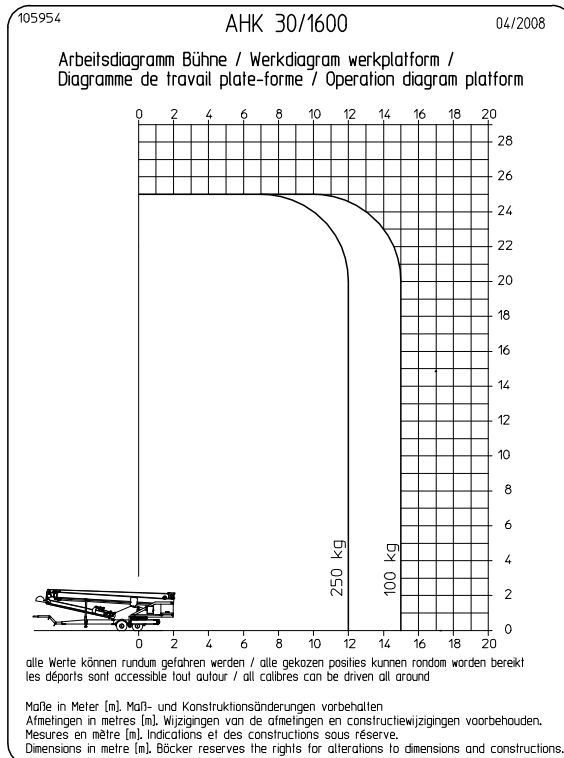
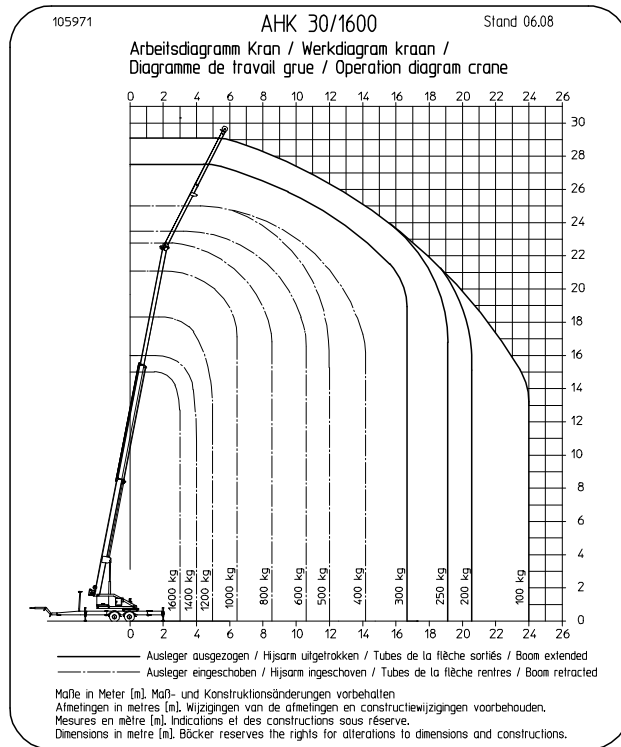
as at 07/2010



Description		Data
Total length		9,10 m
Total width		2,30 m
Total height		2,86 m
Dead weight		3.500 kg
Gross vehicle weight		3.500 kg
Max. erection angle telescope arm		85°
Jib length extended		9,00 m
Jib length retracted		4,75 m
Jib variable / hydraulic		0° - 165°
Max. extension length		30,00 m
Max. hook speed		60 m/min
Support area double-sided		L x W 5,40 x 5,40 m
Support area one-sided		L x W 7,30 x 3,75 m
Swivelling range		± 310°
Drive unit		Honda 24 hp petrol engine/Mitsubishi Diesel engine
Hydraulic unit		with variable displacement pump
Max. operation width	at 100 kg	24,00 m
	at 250 kg	19,00 m
	at 300 kg	16,60 m
	at 400 kg	14,30 m
	at 800 kg	8,60 m
	at 1000 kg	6,40 m
	at 1200 kg	5,00 m
	at 1400 kg	4,00 m
	at 1600 kg	3,00 m

All rights reserved for changes in dimensions and construction!

## Boecker Aluminium-Trailer Crane – AHK 30/1600



**All rights reserved for changes in dimensions and construction!**