

TABLE OF CONTENTS

ET10K INSTRUCTION MANUAL

SECTION 100 DESCRIPTION & SPECIFICATIONS

17450	INSTALLATION DIMENSIONS - ET10K(X)
117390	17390 BASE MOUNTING DIMENSIONS
19529	CAPACITY CHART - ET10K(X)
16938	TYPICAL REINFORCEMENT FOR MOUNTING CRANE ON TOP OF SERVICE BODY
S17340	INSTALLATION DRAWING - 17340 MOUNTING PEDESTAL
I17340	INSTALLATION DRAWING - 17340 MOUNTING PEDESTAL
18518	INSTALLATION DRAWING - 18500-P MANUAL OUTRIGGER
13509	INSTALLATION DIMENSIONS - 13500 MANUAL OUTRIGGER SIDE BRACKET
I23961	INSTALLATION DIMENSIONS - 23961 MANUAL OUTRIGGER SIDE BRACKET
13510	INSTALLATION DIMENSIONS - 11822 MANUAL OUTRIGGER FOLD AWAY TYPE
I23960	INSTALLATION DIMENSIONS - 23960 MANUAL OUTRIGGER FOLD AWAY TYPE

SECTION 150 SAFETY

15394	VEHICLE & CRANE ELECTRICAL HAZARD INFORMATION
850711	SAFETY & HAZARDS - GENERAL

SECTION 200 INSTALLATION

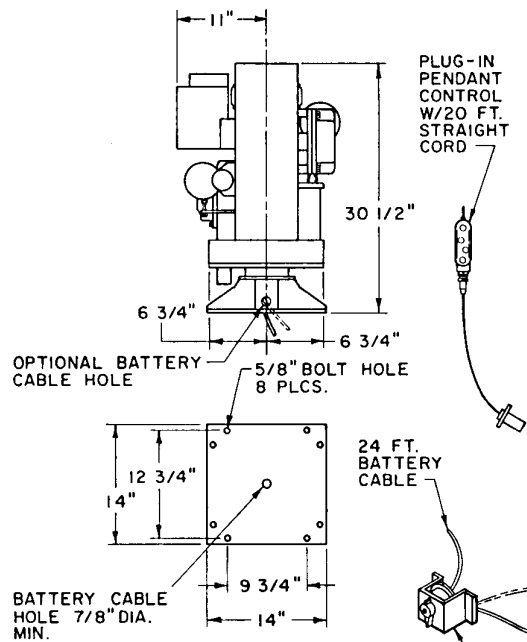
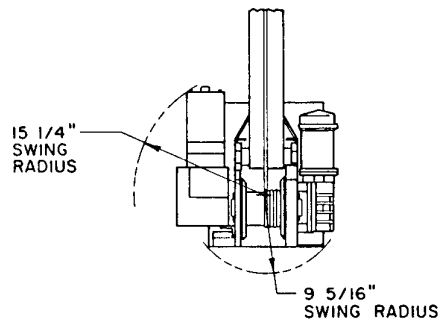
711105	CABLE & BATTERY REQUIREMENTS - ET AND HT CRANES
15660	BATTERY CABLE INSTALLATION DRAWING
900530a	ET10K(X) OPERATION & MAINTENANCE INSTRUCTIONS - PAGE 1 OF 4
900530b	ET10K(X) OPERATION & MAINTENANCE INSTRUCTIONS - PAGE 2 OF 4
900530c	ET10K(X) OPERATION & MAINTENANCE INSTRUCTIONS - PAGE 3 OF 4
900530d	ET10K(X) OPERATION & MAINTENANCE INSTRUCTIONS - PAGE 4 OF 4
711006	WIRE ROPE SPECIFICATIONS
▲ 20076	ADJUSTABLE BOOM REST

SECTION 300 MAINTENANCE & SERVICE

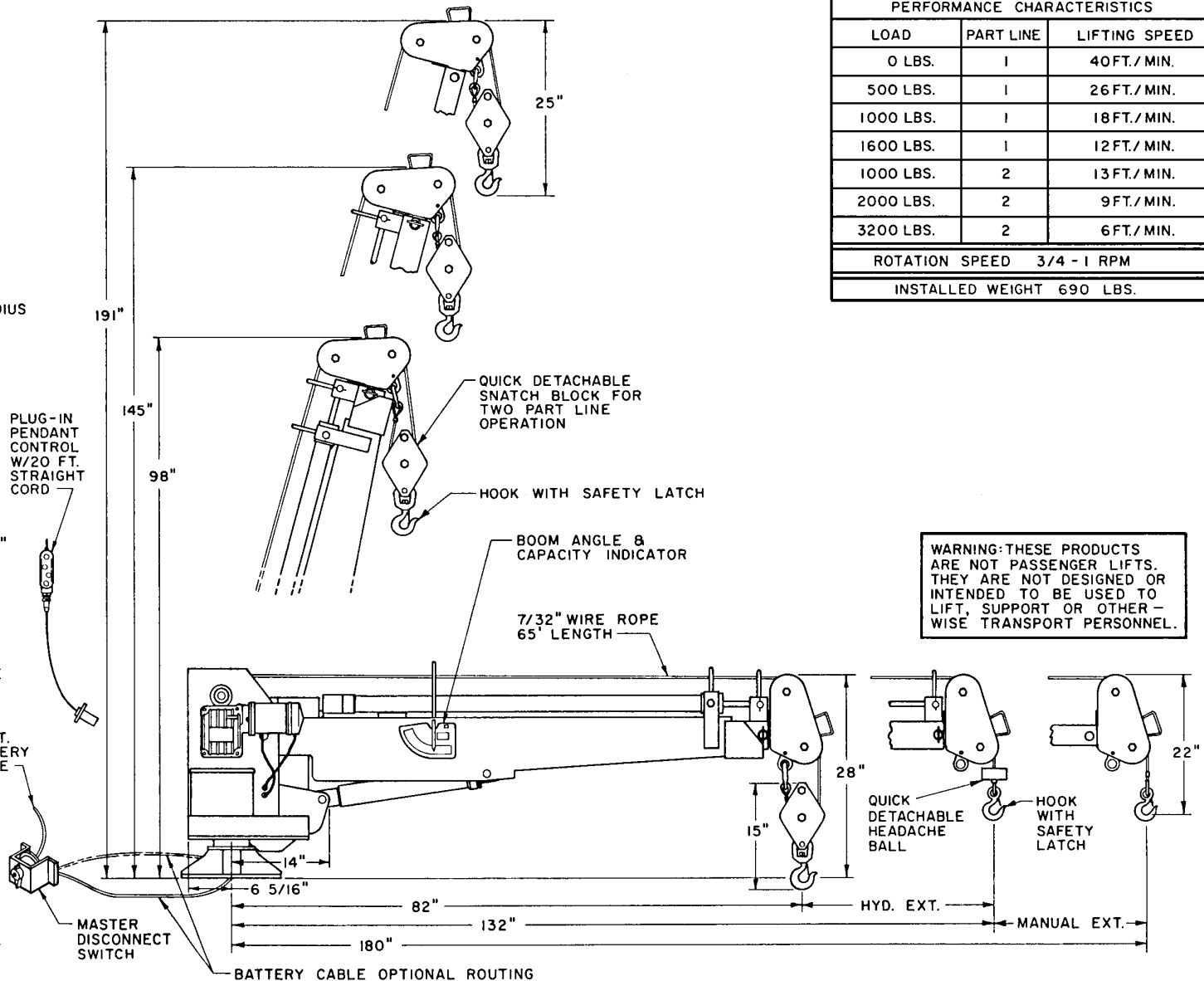
800306	MINIMUM VOLTAGE TEST
--------	----------------------

SECTION 400 REPLACEMENT PARTS

19363	ET10K REPLACEMENT PARTS DRAWING
19289	ET10K REPLACEMENT PARTS LIST
19301	ET10K REPLACEMENT FASTENER LIST
20197-3	REPLACEMENT PARTS - ANTI-TWO-BLOCK
17381	ELECTRICAL SYSTEM SCHEMATIC - ET10K
19586	ELECTRICAL SYSTEM SCHEMATIC - ET10K WITH ANTI-TWO-BLOCK
17935	HYDRAULIC SYSTEM SCHEMATIC - ET10K
20150	REPLACEMENT PARTS - 3 FUNCTION PENDANT CONTROL
19791	REPLACEMENT PARTS - 3 FUNCTION CRANES
16770	16770 SWIVEL TERMINAL ASSEMBLY REPLACEMENT PARTS
17210	17211 WINCH POWER UNIT REPLACEMENT PARTS DRAWING
900308	17211 WINCH POWER UNIT REPLACEMENT PARTS LIST
I16100	16100 SERIES POWER UNIT REPLACEMENT PARTS DRAWING
811016	16100 SERIES POWER UNIT REPLACEMENT PARTS LIST
I17930	17930-1 HYDRAULIC POWER UNIT REPLACEMENT PARTS
17451	17260-1 HYDRAULIC POWER UNIT REPLACEMENT PARTS DRAWING
900220	17260-1 HYDRAULIC POWER UNIT REPLACEMENT PARTS LIST
17257-3	17255/17256 ELEVATION CYLINDER REPLACEMENT PARTS DRAWING
931130	17255/17256 ELEVATION CYLINDER REPLACEMENT PARTS LIST



BASE MOUNTING DIMENSIONS



PERFORMANCE CHARACTERISTICS		
LOAD	PART LINE	LIFTING SPEED
0 LBS.	1	40FT./MIN.
500 LBS.	1	26 FT./MIN.
1000 LBS.	1	18FT./MIN.
1600 LBS.	1	12FT./MIN.
1000 LBS.	2	13FT./MIN.
2000 LBS.	2	9FT./MIN.
3200 LBS.	2	6FT./MIN.
ROTATION SPEED		3/4 - 1 RPM
INSTALLED WEIGHT 690 LBS.		

WARNING: THESE PRODUCTS ARE NOT PASSENGER LIFTS. THEY ARE NOT DESIGNED OR INTENDED TO BE USED TO LIFT, SUPPORT OR OTHERWISE TRANSPORT PERSONNEL.



MANUFACTURING, INC.
CINCINNATI, OHIO

TITLE
INSTALLATION DRAWING

DATE
6-19-98A

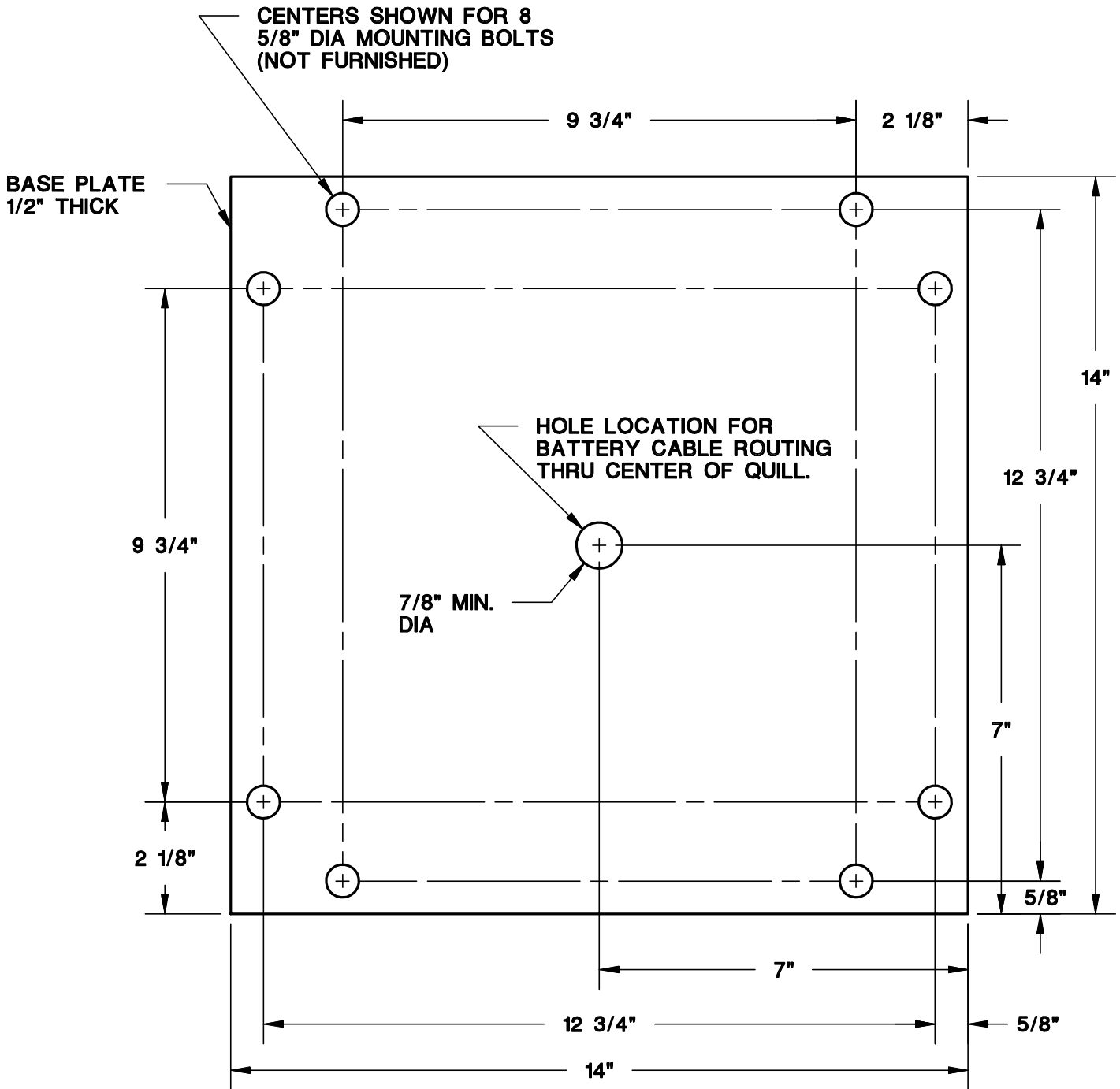
SECTION
C100

ET10K(X), W/ 7 - 15 FT BOOM

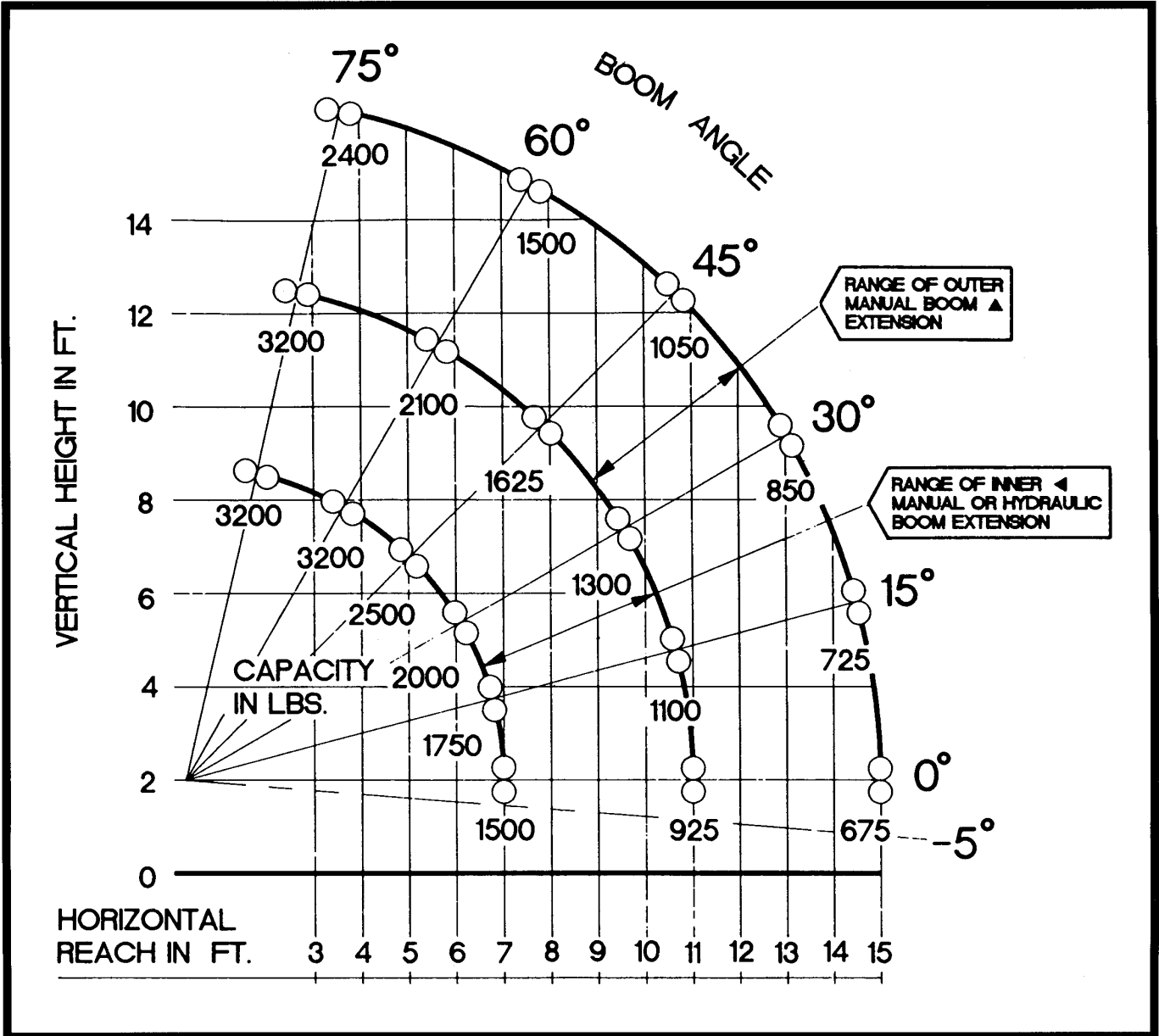
SUPERCEDES
1-12-90

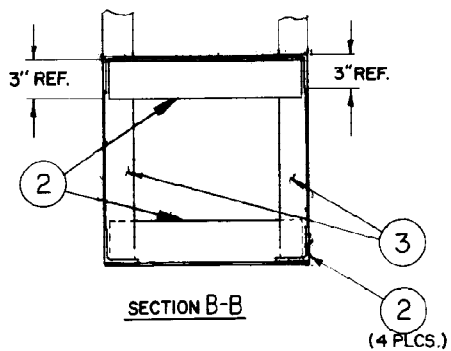
17450

MOUNTING HOLE TEMPLATE



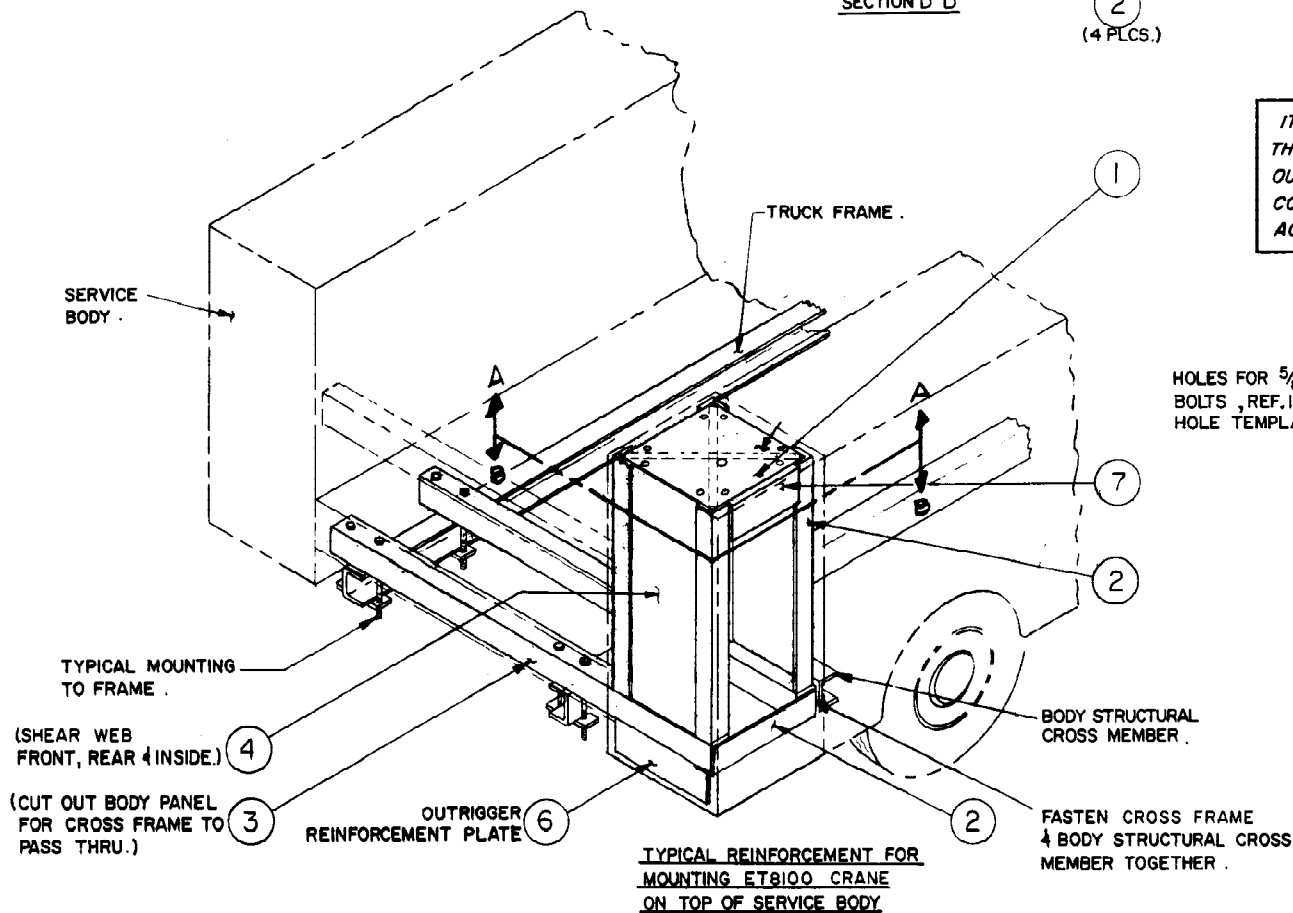
ET10K(X) MAXIMUM CAPACITY CHART



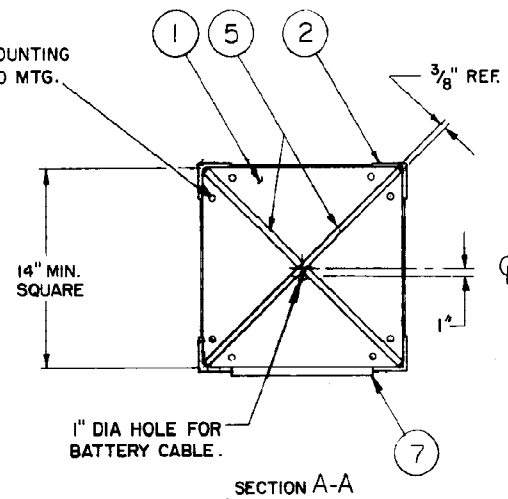


PART	DESCRIPTION	MINIMUM RECOMMENDED MATERIAL SIZE
1	TOP PLATE	$\frac{3}{8}$ " STEEL
2	CORNER POST	3" x 3" x $\frac{1}{4}$ " STEEL ANGLE
3	CROSS FRAME	2" x 4" x $\frac{1}{4}$ " W STRUCTURAL TUBING or 4" x 7.25 LB STANDARD STEEL CHANNEL
4	SHEAR WEB	12 Ga.
5	TOP PLATE REINFORCEMENT	$\frac{3}{8}$ " x 4" STEEL BAR
6	OUTRIGGER REINFORCEMENT PLATE	$\frac{3}{16}$ " THICK STEEL PLATE
7	GUSSET	$\frac{1}{4}$ " x 4" H.R. STEEL

IT IS THE SOLE RESPONSIBILITY OF THE INSTALLER TO INSURE THAT THE TOTAL STRUCTURE OF CRANE, TRUCK, AND OUTRIGGERS ARE STRUCTURALLY SOUND AND THAT THE COMPLETED VEHICLE HAS SUFFICIENT STABILITY AGAINST OVERTURNING.



HOLES FOR $\frac{5}{8}$ " MOUNTING BOLTS, REF. I7390 MTG. HOLE TEMPLATE.



MANUFACTURING, INC.
CINCINNATI, OHIO

TITLE
INSTALLATION DRAWING

DATE
12-21-99B

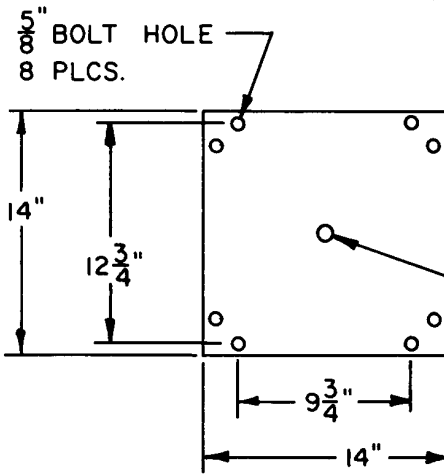
SECTION
C100

▲ ET6KR, ET10K(X) CRANES

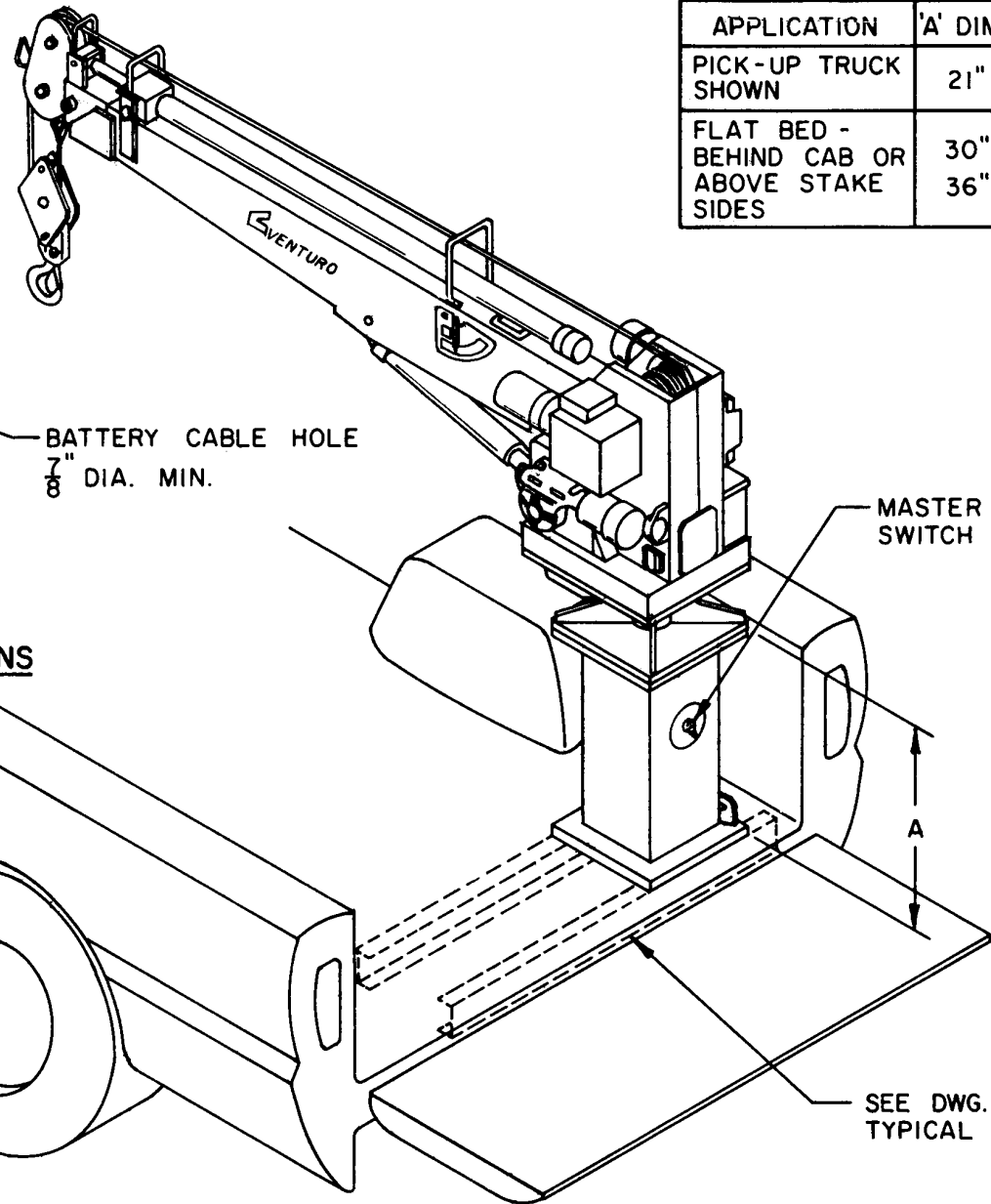
SUPERCEDES
6-19-98A

16938

APPLICATION	'A' DIM.	17340 DASH NO.
PICK-UP TRUCK SHOWN	21"	-21
FLAT BED - BEHIND CAB OR ABOVE STAKE SIDES	30" 36"	-30 -36



BASE MOUNTING DIMENSIONS



WARNING: THESE PRODUCTS ARE NOT PASSENGER LIFTS. THEY ARE NOT DESIGNED OR INTENDED TO BE USED TO LIFT, SUPPORT OR OTHERWISE TRANSPORT PERSONNEL.

SEE DWG. NO. I17340 FOR TYPICAL REINFORCING



MANUFACTURING, INC.
CINCINNATI, OHIO

TITLE
17340 MOUNTING PEDESTAL

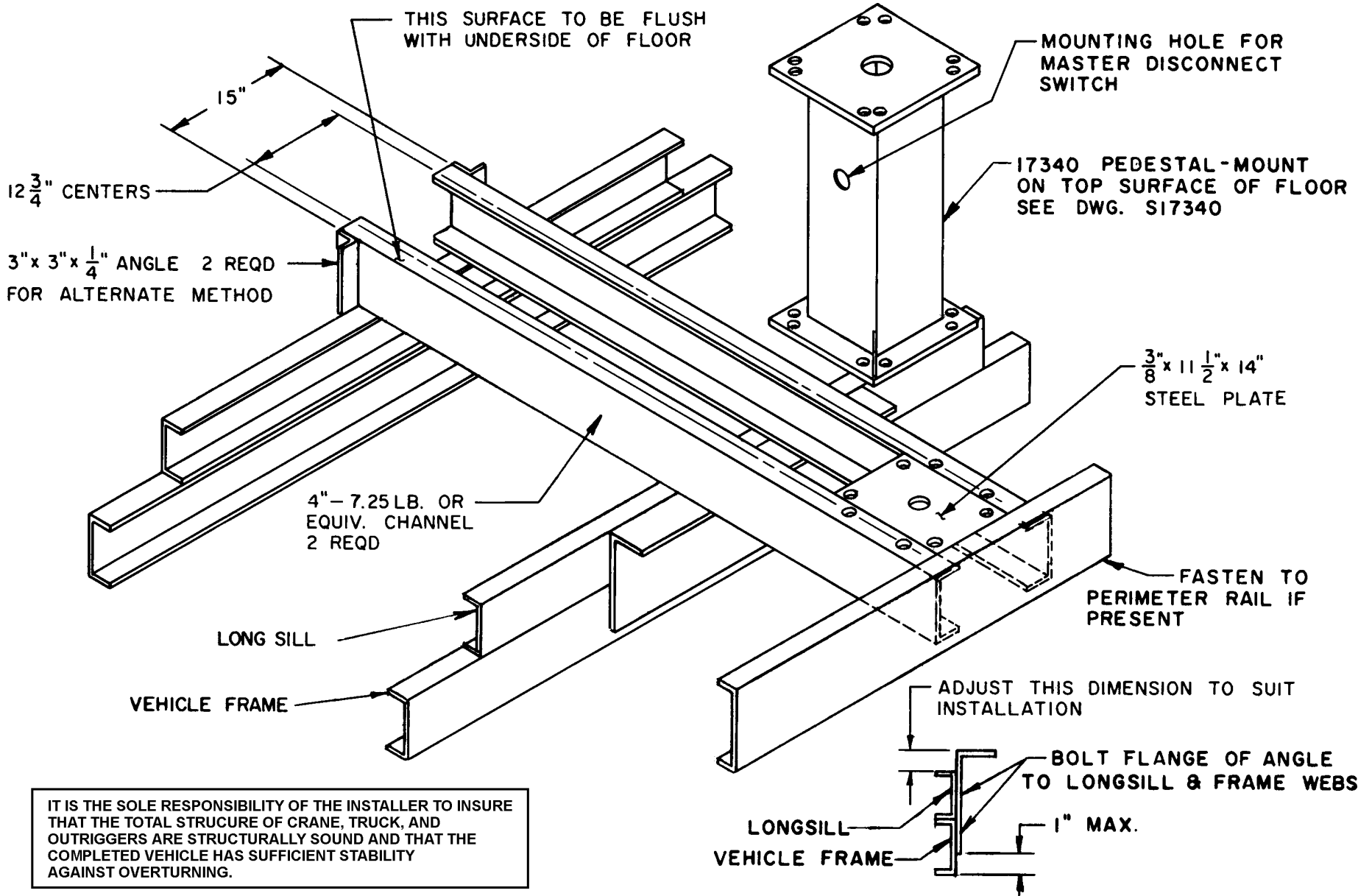
ET8100, ET10K(X) CRANES

DATE
6-19-98B

SUPERCEDES
11-17-92A

SECTION
C100

S17340



IT IS THE SOLE RESPONSIBILITY OF THE INSTALLER TO INSURE THAT THE TOTAL STRUCTURE OF CRANE, TRUCK, AND OUTRIGGERS ARE STRUCTURALLY SOUND AND THAT THE COMPLETED VEHICLE HAS SUFFICIENT STABILITY AGAINST OVERTURNING.



MANUFACTURING, INC.
CINCINNATI, OHIO

TITLE
INSTALLATION DRAWING

DATE
6-19-98B

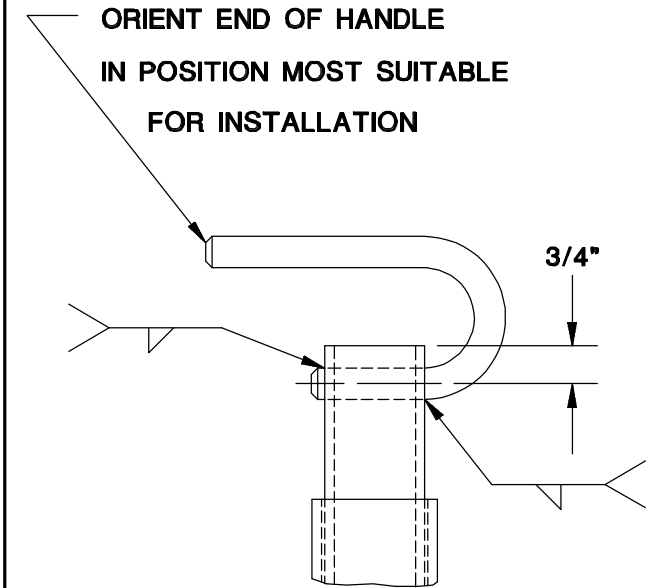
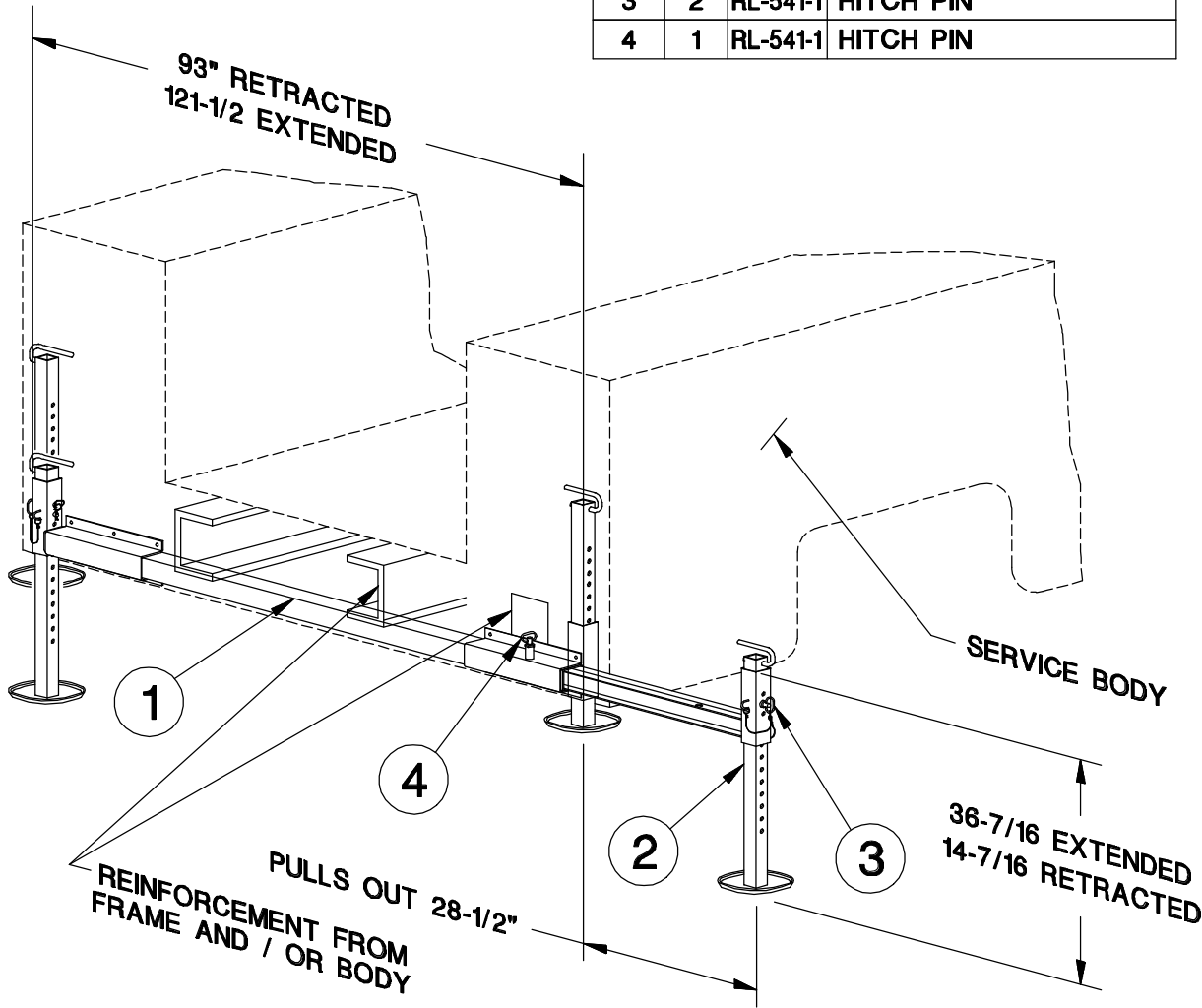
SECTION
C100

ET8100, ET10K(X) CRANES

SUPERCEDES
11-17-92A

117340

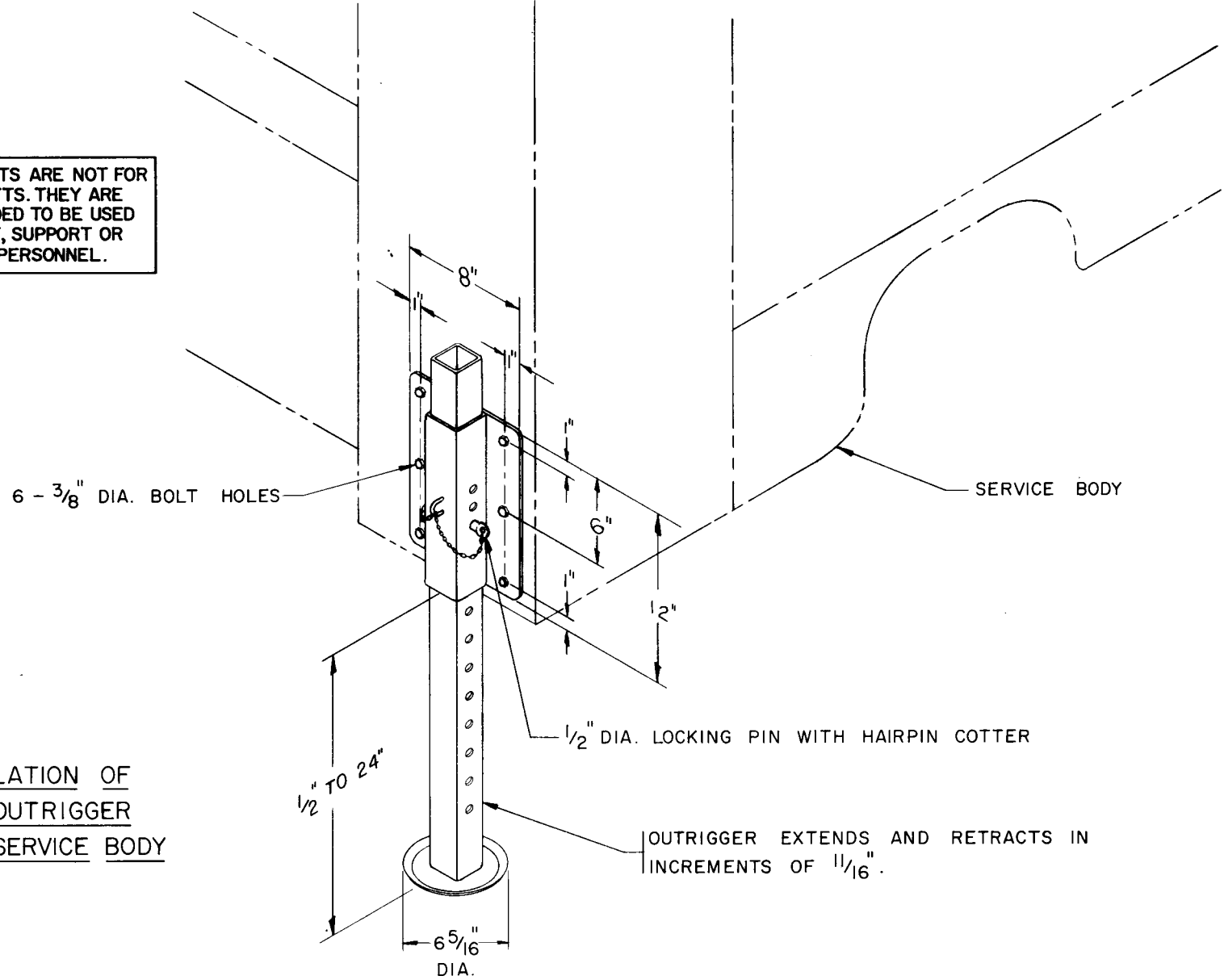
ITEM	QTY	PART NO.	DESCRIPTION
1	1	18507	MOUNTING TUBE ASSY
2	1	18508	OUTRIGGER ASSY
3	2	RL-541-1	HITCH PIN
4	1	RL-541-1	HITCH PIN



HANDLE INSTALLATION

WARNING - THESE PRODUCTS ARE NOT FOR USE WITH PASSENGER LIFTS. THEY ARE NOT DESIGNED OR INTENDED TO BE USED WITH DEVICES THAT LIFT, SUPPORT OR OTHERWISE TRANSPORT PERSONNEL

WARNING: THESE PRODUCTS ARE NOT FOR USE WITH PASSENGER LIFTS. THEY ARE NOT DESIGNED OR INTENDED TO BE USED WITH DEVICES THAT LIFT, SUPPORT OR OTHERWISE TRANSPORT PERSONNEL.



TYPICAL INSTALLATION OF 13500 MANUAL OUTRIGGER ON TRUCK WITH SERVICE BODY

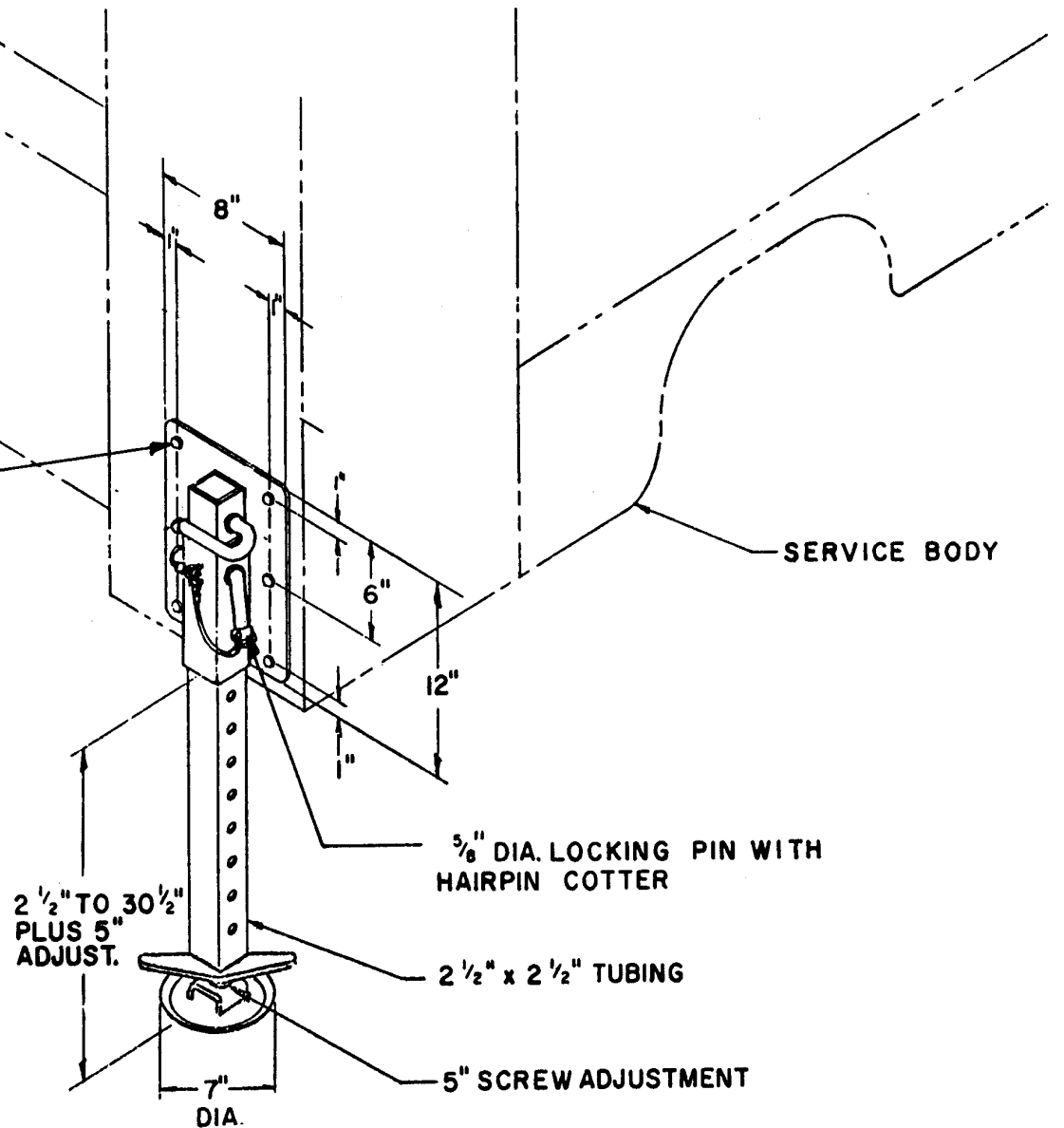
VENTURO MANUFACTURING, INC.
CINCINNATI, OHIO

TITLE	DATE	SECTION
INSTALLATION DRAWING	6-17-98C	C100
ET5500MPB, ET6KM/R	SUPERCEDES 8-1-83B	13509

WARNING: THESE PRODUCTS ARE NOT FOR USE WITH PASSENGER LIFTS. THEY ARE NOT DESIGNED OR INTENDED TO BE USED WITH DEVICES THAT LIFT, SUPPORT OR OTHERWISE TRANSPORT PERSONNEL

**TYPICAL INSTALLATION OF 23961
MANUAL OUTRIGGER ON TRUCK
WITH SERVICE BODY EQUIPPED
WITH ET/HT25 SERIES CRANES**

6 - 1/2" DIA. BOLT HOLES



SERVICE BODY

5/8" DIA. LOCKING PIN WITH HAIRPIN COTTER

2 1/2" x 2 1/2" TUBING

5" SCREW ADJUSTMENT

2 1/2" TO 30 1/2" PLUS 5" ADJUST.

7" DIA.



MANUFACTURING, INC.
CINCINNATI, OHIO

TITLE
INSTALLATION DRAWING

DATE
4-29-98D

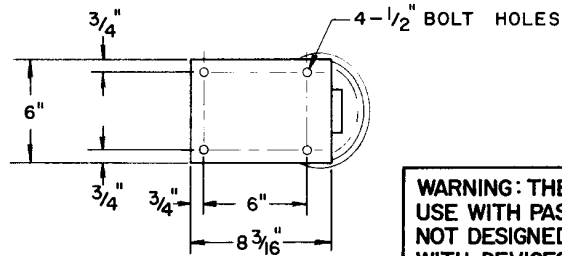
SECTION
C100

ET10K(X), ET25K(X), HT25KX

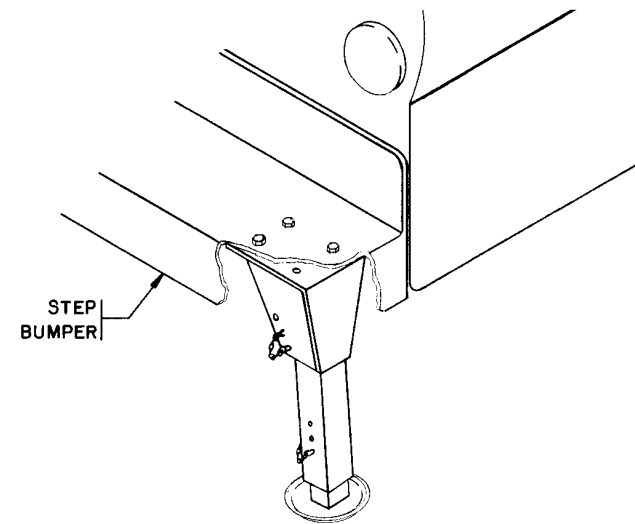
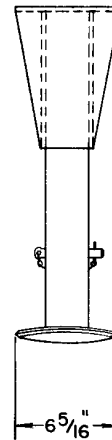
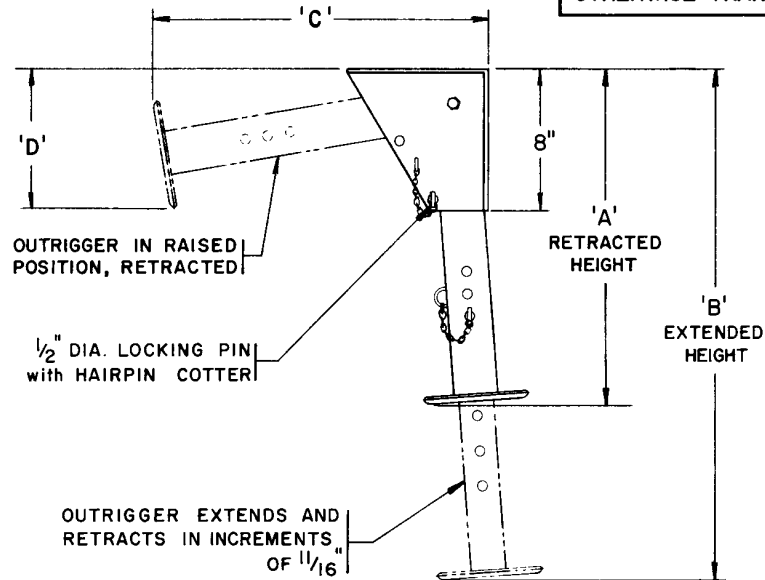
SUPERCEDES
7-27-83C

I23961

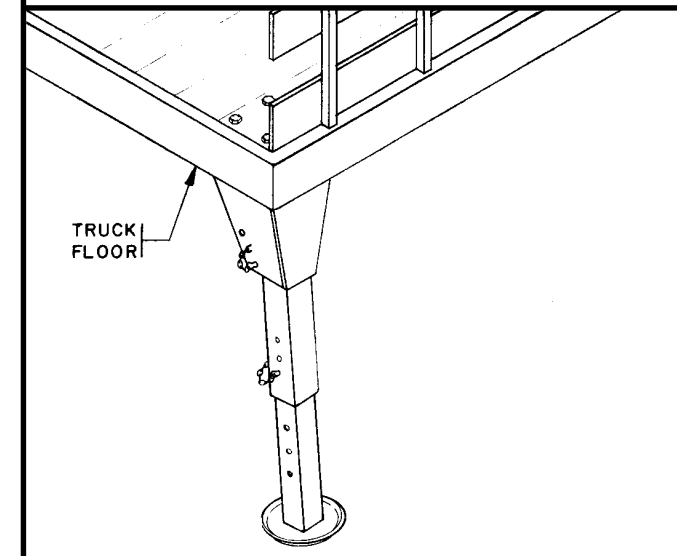
PART No.	DESCRIPTION	'A'	'B'	'C'	'D'
11822-1	SHORT OUTRIGGER	19"	29"	19 ³ / ₄ "	6 ¹ / ₂ "
11822-2	LONG OUTRIGGER	27"	45"	27 ³ / ₄ "	9 ³ / ₄ "



WARNING: THESE PRODUCTS ARE NOT FOR USE WITH PASSENGER LIFTS. THEY ARE NOT DESIGNED OR INTENDED TO BE USED WITH DEVICES THAT LIFT, SUPPORT OR OTHERWISE TRANSPORT PERSONNEL.



TYPICAL SHORT OUTRIGGER INSTALLATION



TYPICAL LONG OUTRIGGER INSTALLATION



MANUFACTURING, INC.
 CINCINNATI, OHIO

TITLE
INSTALLATION DRAWING

ET5500MPB, ET6KM/R

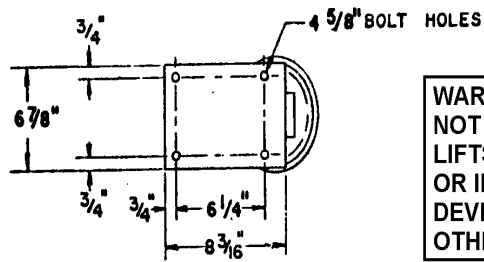
DATE
6-17-98C

SUPERCEDES
10-12-83B

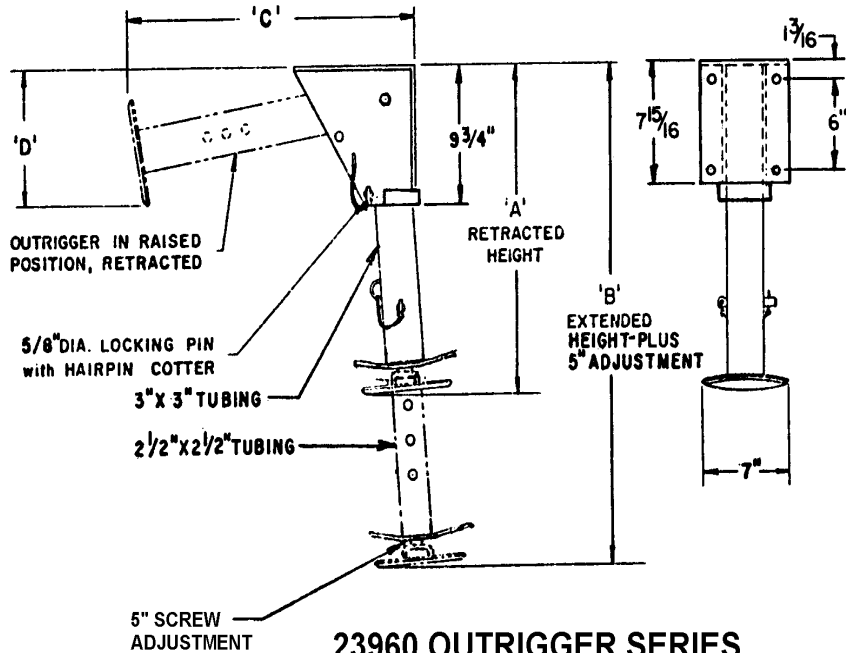
SECTION
C100

13510

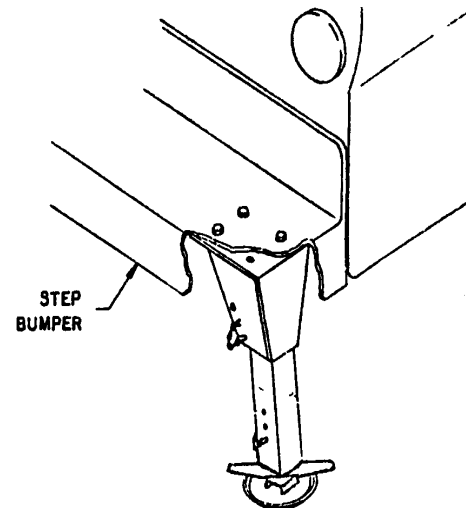
PART NO.	DESCRIPTION	'A'	'B'	'C'	'D'
23960-1	SHORT OUTRIGGER	20 1/2"	28 1/2"	21"	7 1/4"
23960-2	LONG OUTRIGGER	28 1/2"	44 1/2"	29"	10 1/2"



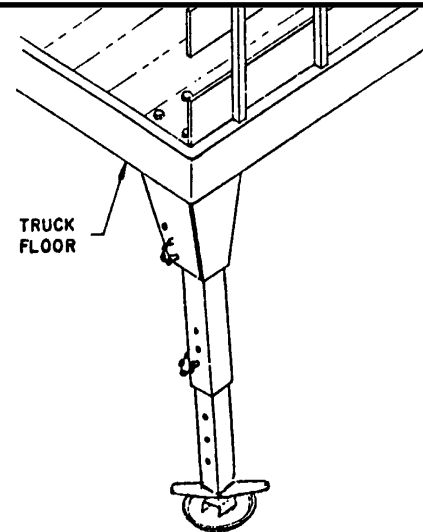
WARNING: THESE PRODUCTS ARE NOT FOR USE WITH PASSENGER LIFTS. THEY ARE NOT DESIGNED OR INTENDED TO BE USED WITH DEVICES THAT LIFT, SUPPORT OR OTHERWISE TRANSPORT PERSONNEL.



**23960 OUTRIGGER SERIES
ET/HT25 SERIES CRANES**



TYPICAL SHORT
OUTRIGGER INSTALLATION



TYPICAL LONG
OUTRIGGER INSTALLATION



MANUFACTURING, INC.
CINCINNATI, OHIO

TITLE
INSTALLATION DRAWING

ET10K(X), ET25K(X), HT25KX

DATE
4-29-98C

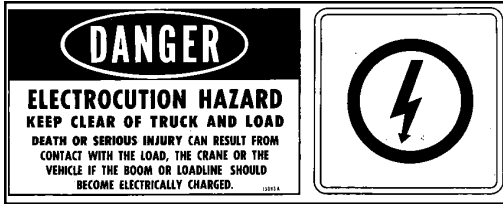
SUPERCEDES
7-27-83B

SECTION
C100

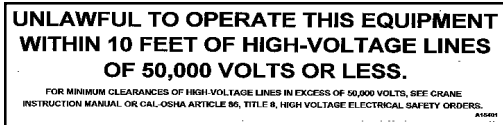
123960

VEHICLE & CRANE MOUNTED ELECTRICAL HAZARD SIGN APPLICATION & INFORMATION

ET & HT CRANE SERIES



SIGN NO. 15393A DISPLAYS THE INTERNATIONAL SYMBOL FOR ELECTRICITY AND WARNS OF DANGER FROM AN ELECTRICALLY CHARGED VEHICLE, CRANE, OR LOAD. FOUR ARE RECOMMENDED (ONE FOR EACH SIDE AND ONE FOR EACH END OF VEHICLE) TO BE APPLIED IN LOCATIONS WHICH ARE READILY VISIBLE TO GROUND PERSONNEL.



SIGN NO. 15401 PROVIDES ADDITIONAL WARNING OF LEGAL REQUIREMENTS WHEN OPERATING NEAR HIGH VOLTAGE LINES. THIS SIGN IS PLACED ON THE CONTROL PENDANT SIDE OF BOOM.

REQUIRED MINIMUM CLEARANCES REFERRED TO ON SIGN NO. 15401

REQUIRED CLEARANCES FROM OVERHEAD HIGH-VOLTAGE LINES

NOMINAL VOLTAGE (kV) (PHASE TO PHASE)	MINIMUM REQUIRED CLEARANCE (FEET) *
0 - 50	10
over 50 - 200	15
over 200 - 350	20
over 350 - 500	25
over 500 - 750	35
over 750 - 1000	45

REQUIRED CLEARANCES FROM ENERGIZED HIGH-VOLTAGE CONDUCTORS (WHILE IN TRANSIT)

NOMINAL VOLTAGE (kV) (PHASE TO PHASE)	MINIMUM REQUIRED CLEARANCE (FEET) *
0 - 0.75	4
over 0.75 - 50	6
over 50 - 345	10
over 345 - 750	16
over 750 - 1000	20

* NOTE: ENVIRONMENTAL CONDITIONS SUCH AS FOG, SMOKE, OR PRECIPITATION MAY REQUIRE INCREASED CLEARANCES



TITLE INSTALLATION DWG	DATE 5-13-97G	SECTION C150
ET & HT CRANE SERIES	SUPERCEDES 7-15-96F	15394

CRANE SAFETY AND HAZARDS

ET5500MPB/R, ET6KMPB/R, ET8100R, ET10K(X), ET25K(X)

CAUTIONS

1. INSPECT VEHICLE AND CRANE, INCLUDING OPERATION, PRIOR TO USE DAILY.
2. DO NOT USE THIS EQUIPMENT EXCEPT ON SOLID, LEVEL SURFACE WITH CRANE MOUNTED ON FACTORY-RECOMMENDED TRUCK.
3. BEFORE OPERATING THE CRANE, REFER TO MAXIMUM LOAD (CAPACITY) CHART ON CRANE FOR OPERATING (LOAD) LIMITATIONS.
4. DO NOT OPERATE, WALK, OR STAND BENEATH BOOM OR A SUSPENDED LOAD.
5. ATTACH PENDANT CORD SUPPORT SNAP TO ATTACHMENT POINT BEFORE PLUGGING IN PENDANT.
6. UNPLUG PENDANT AND SHUT OFF MASTER DISCONNECT SWITCH WHEN CRANE NOT IN USE.
7. FOR TRAVEL, BOOM MUST BE IN STOWED POSITION.

DANGER

- THIS CRANE IS NOT A PASSENGER LIFT
- IT IS NOT DESIGNED OR INTENDED TO BE USED TO LIFT, SUPPORT, OR OTHERWISE TRANSPORT PERSONNEL.

YOU MUST NOT OPERATE THIS CRANE UNLESS

1. YOU HAVE BEEN TRAINED IN THE SAFE OPERATION OF THIS CRANE
AND
2. YOU KNOW AND FOLLOW THE SAFETY AND OPERATING RECOMMENDATIONS CONTAINED IN THE MANUFACTURER'S MANUALS, YOUR EMPLOYER'S WORK RULES, AND APPLICABLE GOVERNMENT REGULATIONS. AN UNTRAINED OPERATOR SUBJECTS HIMSELF AND OTHERS TO DEATH OR SERIOUS INJURY.

ELECTROCUTION HAZARD

- THIS MACHINE IS NOT INSULATED.
- MAINTAIN SAFE CLEARANCES FROM ELECTRICAL LINES AND APPARATUS.
- YOU MUST ALLOW FOR BOOM SWAY, ROCK OR SAG, AND ELECTRICAL LINE AND LOADLINE SWAYING.
- THIS LIFTING DEVICE DOES NOT PROVIDE PROTECTION FROM CONTACT WITH OR PROXIMITY TO AN ELECTRICALLY CHARGED CONDUCTOR.
- YOU MUST MAINTAIN A CLEARANCE OF AT LEAST 10 FEET BETWEEN ANY PART OF THE CRANE, LOADLINE, OR LOAD, AND ANY ELECTRICAL LINE OR APPARATUS CARRYING UP TO 50,000 VOLTS. ADDITIONAL CLEARANCE IS REQUIRED FOR VOLTAGES IN EXCESS OF 50,000 VOLTS. REFER TO DRAWING 15394 FOR ADDITIONAL INFORMATION.
- **DEATH OR SERIOUS INJURY** WILL RESULT FROM CONTACT OR INADEQUATE CLEARANCE.



MFG., INC.
CINCINNATI, OHIO

TITLE
INSTALLATION DWG

DATE
10-14-97F

SECTION
C150

ET5500MPB-ET25KX

SUPERCEDES
5-13-97E

850711

IMPORTANT

ADEQUATE WIRING IMPERATIVE FOR PROPER OPERATION

1. PROPER GROUND PATH - SEE DWG 15660

2. CURRENT DRAW IS SEVERAL HUNDRED AMPERES -
ADEQUATE WIRE SIZE AND BATTERY CAPACITY IS ABSOLUTELY
ESSENTIAL (SEE CHART BELOW.)

MINIMUM WIRE GAUGE AND BATTERY SIZE

MODEL	TOTAL LENGTH OF CABLE (FT)*								12 VOLT BATTERY REQUIREMENTS	
	0-20	21-25	26-30	31-40	41-50	51-60	61-70	71-80	CCA (A)**	RC (MIN)***
CE6K CT2000 CT2003/4/5 DT7K	#4	#4	#2	#2	#1	#0	#0	#00	350	100
ET5500MPB ET5500R ET6KMPB ET6KR ET10K	#2	#2	#1	#0	#00	NOTRECOMMENDED			450	100
ET10KX	#2	#2	#1	#0	#00	NOTRECOMMENDED			550	150
ET25K ET25KX	SEE DRAWING I24600 FOR CABLE AND BATTERY REQUIREMENTS									

* INCLUDES GROUND CABLE

** CCA=COLD CRANKING AMPS AT 0' F.
THE CCA RATING IS A MEASURE OF THE ABILITY OF THE BATTERY TO DELIVER A HIGH CURRENT FOR A SHORT PERIOD OF TIME.

*** RC=RESERVE CAPACITY IN MINUTES AT 25 AMPS AND 80' F.
THE RC RATING IS A MEASURE OF THE PERIOD OF TIME THE BATTERY CAN SUPPLY A GIVEN CURRENT WITHOUT RECHARGING.



MFG., INC.
CINCINNATI, OHIO

TITLE
CABLE & BATTERY

CE, CT, DT, & ET

DATE
8-10-00R

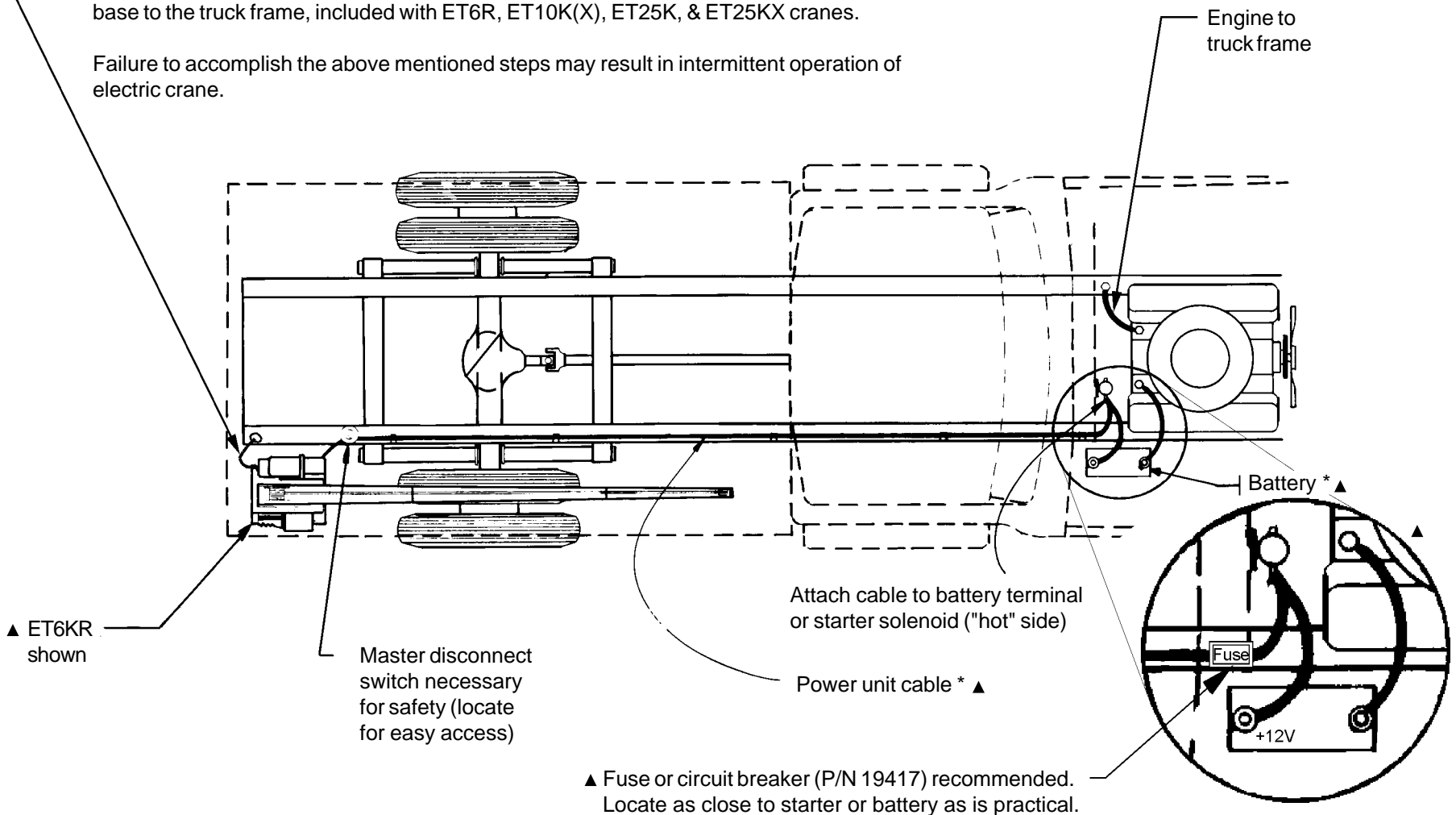
SUPERCEDES
3-3-99Q

SECTION
C200

711105

Important: The crane must make connection with the negative of the battery. To insure this, install a #2 gauge grounding strap from the engine to the truck frame (required if negative from battery is connected to the engine.) Also, install a #2 gauge grounding strap from the crane base to the truck frame, included with ET6R, ET10K(X), ET25K, & ET25KX cranes.

Failure to accomplish the above mentioned steps may result in intermittent operation of electric crane.



▲ * Note: See Dwg 711105 for recommended battery and cable specifications



TITLE	DATE	SECTION
INSTALLATION - BATTERY CABLE	1-15-02E	C200
WINCH & CRANE	SUPERCEDES 11-7-01D	15660

CRANE OPERATION AND MAINTENANCE INSTRUCTIONS

ET10KX

SAFETY

Before operating this crane, read and understand these instructions, the 850711 Crane Safety and Hazards Information Sheet, and review all safety & instruction labels on the crane.

CRANE INSPECTION

Before operating this crane, inspect for wear, damage, or oil leakage. After the wire rope has been run out, check for wear, kinks, and broken strands. Check the hook and safety latch for damage. Correct any problems before using the crane.

CAPACITY

Before operating this crane, review the capacity diagrams on the 891014 Capacity Information Sheet as well as the capacity charts on the sides of the boom to relate the load to be lifted to the boom length and angle. The boom angle is shown by a gravity arrow.

SNATCH BLOCK

If the load exceeds 1600 lbs. or if reduced winching speed for better control of smaller loads is required, use the snatch block to rig the crane for two part line operation. Refer to drawing 17450 or 17470 for this.

CONTROLS

This crane is operated by a remote control pendant. The pendant should be unplugged and stored in a compartment or the cab when the crane is not in use.

Before plugging the pendant in, inspect the plug, socket, cord, pendant head, and switches for damage. Actuate all four switches both ways to verify that they all have the same feel and sound and that they return to the center position.

Plug the pendant into the socket on the right side of the crane and snap the strain relief tether to the crane housing.

Turn on the Master Disconnect Switch. Use "Winch Down" to release tension on the wire rope to unhook it from storage tie down position.

Use "Boom Up" to elevate the boom from the boom rest position.

Check all control functions to see that they are working correctly.



TITLE
INSTALLATION DWG

DATE
10-23-97A

SECTION
C200

ET10KX

SUPERCEDES
5-30-90

900530a

CONTROL FUNCTIONS

WINCH "UP" and "DOWN" - Raises and lowers the load with the wire rope.

POWER ELEVATION - "Up" raises the boom elevation by operating the valves and the electric hydraulic power unit. "Down" operates a solenoid release valve mounted on the cylinder to lower the load and/or boom by gravity at a controlled rate. A check valve on the cylinder prevents the boom from coming down if a hose breaks. A flow control valve controls lowering rate.

POWER EXTENSION - "Out" and "In" extend and retract boom 4 ft. under power. A pilot operated check valve on the boom prevents the boom retracting without hydraulic power or if a hose should break. A flow control valve controls retract rate under load.

POWER ROTATION - "L" & "R" control direction of rotation. The ET10KX can be rotated continuously thru 360 degrees or more. There are no internal restrictions on the number of rotations in any direction.

CONTROL PRIORITY SYSTEM - As a built in safety feature, the operator can perform only one major and one minor function at any one time. Major functions are rotation, winching up of a load, and elevating, extending and retracting the boom. Minor functions are winching down, and lowering the boom.

- a. "Winch Up" has priority over "Boom Up", "Boom Out & In", and "Rotation"
- b. "Boom Up" has priority over "Boom Out & In", and "Rotation".
- c. "Boom Out & In" have priority over "Rotation".
- d. "Boom Down" and "Winch Down" can be operated with any function.

CRANE OPERATION

Avoid rapid reversal of the Winch and Rotation Control Switches. The high inrush current to the motors during reversal can reduce the life of the contactors and the motor brushes and commutators.

When operating "Winch Up", "Boom Down" or "Boom Out" always maintain clearance between the boom head and the snatch block or hook.

Do not lift or drag a load sideways using any of the crane functions. The boom has much lower bending strength sideways than in the vertical direction.



TITLE	INSTALLATION DWG	DATE	10-23-97A	SECTION	C200
	ET10KX	SUPERCEDES	5-30-90		900530b

OVERLOAD ALARM SYSTEMS (OPTIONAL)

This crane may be equipped with an optional overload alarm system.

1. Overload alarm horn sounds if rated load is exceeded at any reach.
2. If alarm sounds, RAISE Boom or LOWER Winch to remove overload.
3. Always RAISE Boom slightly before lifting load - Warning system INOPERATIVE when cylinder is completely bottomed.
4. Alarm can be tested by raising Boom against UP limit stop.

MANUAL TELESCOPIC BOOM

The 7' to 15' boom has a 4' manual telescoping section in addition to the 4' power extension. A toggle pin locks the boom into either the extended or retracted position.

TRUCK SETUP & OUTRIGGERS

1. The truck should be parked on ground that is as level and as firm as possible when using the crane.
2. The center of the crane should be positioned close enough to the job so that it can be operated at a reach that puts the load within the rated capacity of the crane.
3. Set the vehicle parking brake and put the vehicle transmission in "park" or a low gear unless the engine is to be left running.
4. Deploy the outriggers to help stabilize the vehicle against rocking or overturning when lifting with the crane.

PREPARATION FOR TRAVEL

1. Return the outriggers to the stowed position. Install and secure all pins.
2. Stow the crane boom in the boom support.
3. Hook the winch line to a tie down point on the body or pedestal and apply tension.
4. TURN OFF THE MASTER DISCONNECT SWITCH.
5. Unplug the control pendant and store in a body compartment or the cab.



TITLE	INSTALLATION DWG	DATE	10-23-97A	SECTION	C200
	ET10KX	SUPERCEDES	5-30-90		900530c

MAINTENANCE

Crane requires only periodic lubrication. As a standard procedure this can be done at the time the vehicle is serviced. Rotation bearings are self - lubricating. Fill Winch & Rotation Gear Boxes to level of the side plug with S.A.E. 85W/140 Hypoid Lubricant.

Chains should be oiled lightly (DO NOT GREASE). Excess oil or grease will collect road grit and cause excessive chain wear. Moly filled chassis grease should be applied by pressure grease gun to fittings on each end of rotation worm shaft and on rotation gear teeth thru port at rear of crane.

Fill electric hydraulic boom elevation, power unit reservoir to oil level line with boom down. Use Automatic Transmission Fluid Type "A" or Type "B" (Dexron). Below 20 degrees F. add 3/4 pt. Kerosene. Drain and refill with Dexron ATF when weather warms up. Check periodically or when boom action slows down.



TITLE
INSTALLATION DWG

DATE
10-23-97A

SECTION
C200

ET10KX

SUPERCEDES
5-30-90

900530d

SELECTION

The chart below shows the maximum working load and breaking strength of 7 X 19 Galvanized AIRCRAFT Grade Wire Rope in various diameters. The breaking strength is 3-1/2 times the maximum working load. Do not use wire rope with a Maximum Working Load rating less than the single line capacity of the crane. Use of wire rope diameter larger than the size furnished with the crane will reduce the fatigue life of the wire rope.

<u>WIRE ROPE DIAMETER</u>	<u>MAXIMUM WORKING LOAD</u>	<u>BREAKING STRENGTH</u>
1/8"	570 lbs	2000 lbs
5/32"	800 lbs	2800 lbs
3/16"	1200 lbs	4200 lbs
7/32"	1600 lbs	5600 lbs
1/4"	2000 lbs	7000 lbs
5/16"	2800 lbs	9800 lbs
3/8"	4114 lbs	14400 lbs

INSTALLATION

1. Unwind coil of rope by rolling it along floor. This will prevent kinking.
2. Most VENTURO Cranes are provided with a slot in the winch drum side plate for attaching the end of the wire rope with a stop collar. A hole in the housing allows access for the end of the wire rope when inserted thru the slot.

The ET20K(X) & ET25K(X) Cranes have a clamp built into the winch drum and do not use a stop collar.

3. THERE MUST ALWAYS BE AT LEAST (3) TURNS OF WIRE ROPE ON THE DRUM WHEN UNDER LOAD.



MFG., INC.
CINCINNATI, OHIO

TITLE
WIRE ROPE SPECS

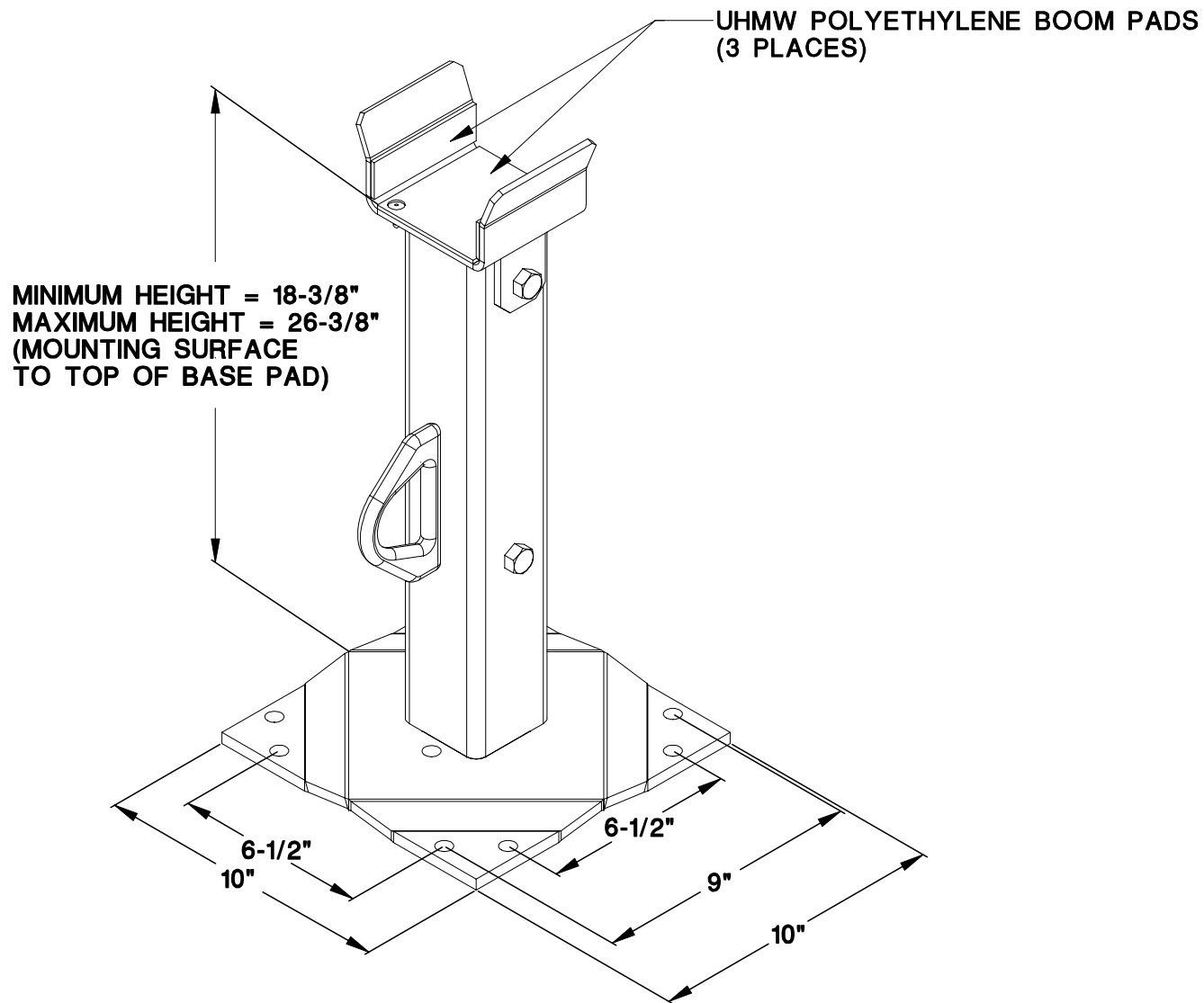
VENTURO WINCH & CRANE

DATE
10-23-97G

SUPERCEDES
4-27-92F

SECTION
WC 200

711006



VENTURO MANUFACTURING, INC.
CINCINNATI, OHIO

TITLE
INSTALLATION DRAWING

DATE
5-7-01

SECTION

-

20075 ADJ BOOM REST - ET6KR, ET10K(X)

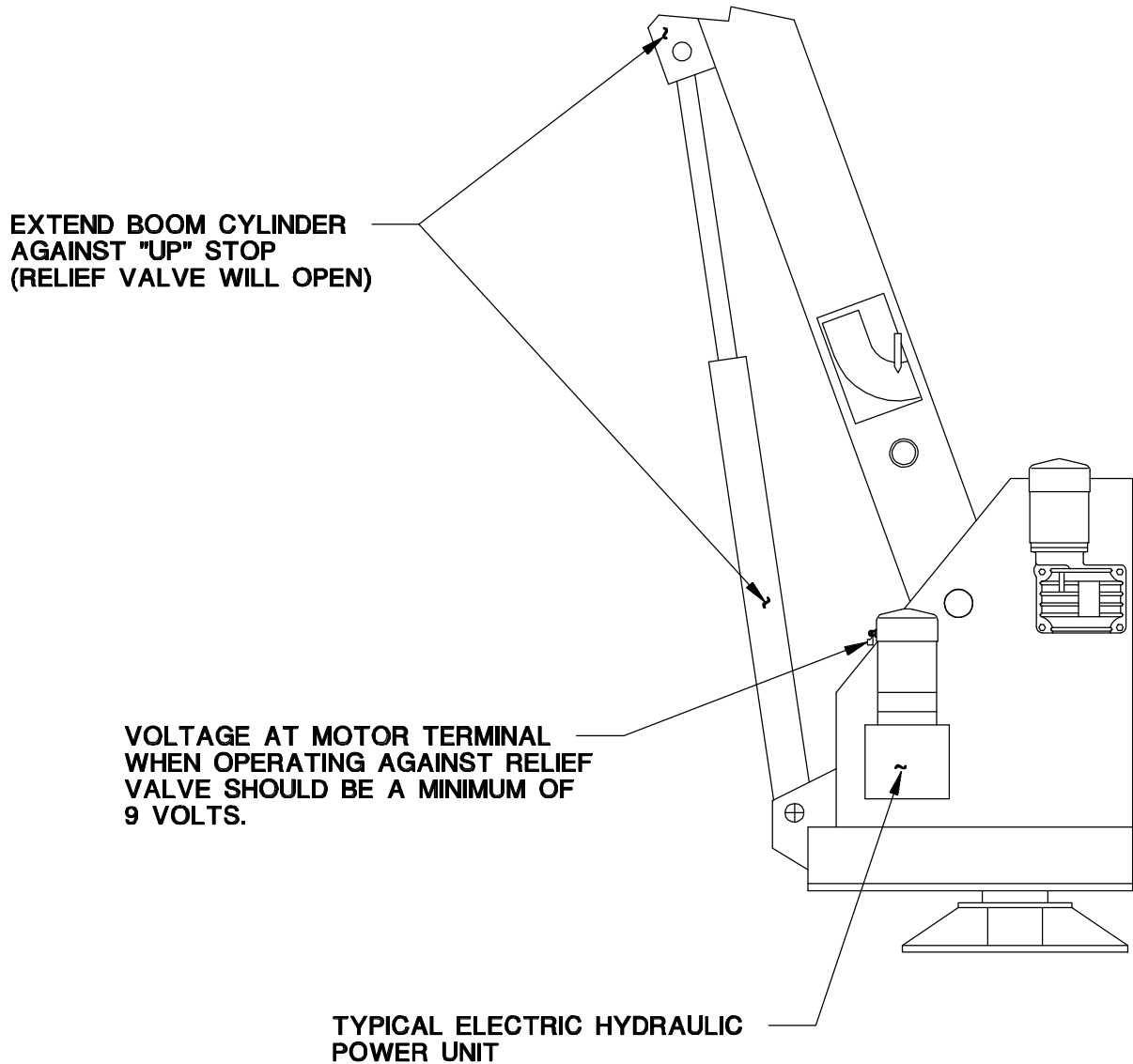
SUPERSEDES
-

20076

MINIMUM VOTAGE TEST
ET5500, ET6K(M/R), ET8100, ET10K(X)

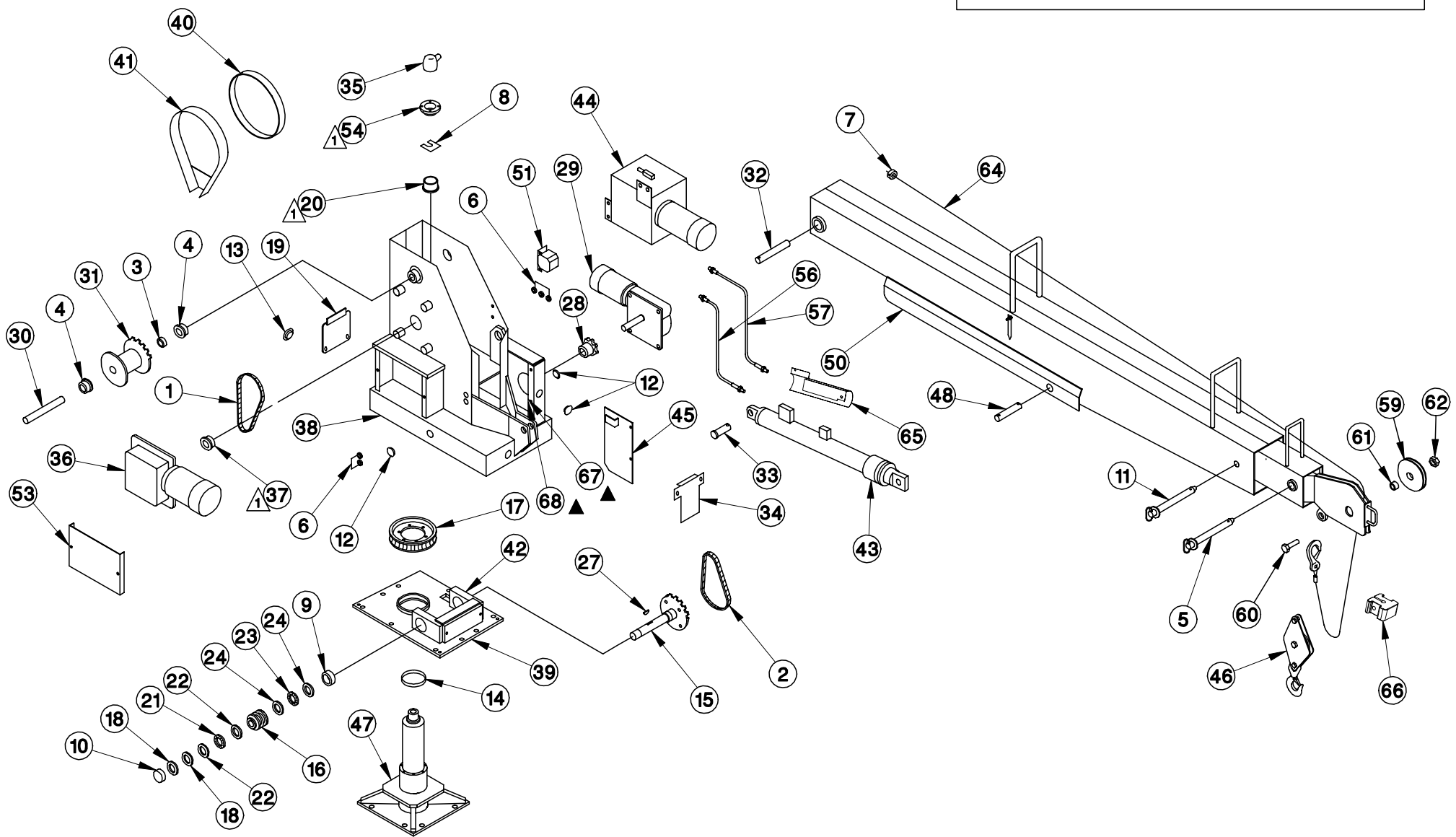
ONE OF THE MOST COMMON ELECTRICAL PROBLEMS ENCOUNTERED ON ELECTRICAL CRANES IS INSUFFICIENT VOLTAGE AT THE MOTOR WHEN DRAWING THE LARGE CURRENT THAT EXISTS AT FULL LOAD.

TO ISOLATE THIS PROBLEM PERFORM THE MINIMUM VOLTAGE TEST BELOW:



TITLE	DATE	SECTION
MINIMUM VOLTAGE TEST	10-16-97D	C355
ET5500, ET6K(M/R), ET8100, ET10K(X)	SUPERSEDES 4-1-96C	800306

REPLACEMENT PARTS LIST REF 19289 ▲
 REPLACEMENT FASTENERS LIST REF 19301



▲ 1 INSTALL WITH LOCKTITE
 GRADE 242 (BLUE) OR EQUIV.

FOR ELECTRICAL COMPONENTS
 SEE DWG 17381



TITLE
REPLACEMENT PARTS
 ET10K

DATE
2-18-02F
 SUPERSEDES
 10-30-01E

SECTION
C400
19363

ITEM #	PART #	DESCRIPTION	ITEM #	PART #	DESCRIPTION
1	00867-3	DRIVE CHAIN - WINCH (#40 x 56 LINKS)	41	18455	WINCHDRUM GUARD - RH
2	00867-4	DRIVE CHAIN - ROTATION (#40 x 52 LINKS)	42	18846	WORM HOUSING
3	01158	SHAFT COLLAR - 1"	43	17255-3	ELEVATION CYLINDER (ONLY)
4	01299	BALL BEARING - 2" OD x 1" ID	44	17260-1-RM	HYDRAULIC POWER UNIT (ONLY)
5	19258-3	BOOM PIN ASSEMBLY (SHORT)	45	17287	ROTATION CHAIN COVER
6*	14883	GROMMET - 3/8" ID x 5/8" OD W/ 3/16" GROOVE	46	17290	SWIVEL SNATCH BLOCK ASSEMBLY
7	13463-1	SHAFT COLLAR - 1/4"	47	17295	QUILL ASSEMBLY
8*	14159	SHIM - 1 1/2" SQ x .015", .042", .105"	48	17318	PIVOT PIN, CYL ROD
9	14341-3	BUSHING - 1 3/4" OD x 1 1/2" ID x 1" LONG	49	-	-
10	14341-5	BUSHING - 1 3/4" OD x 1 1/4" ID x 1" LONG	50	17800	BOOM ASSEMBLY (COMPLETE ASSY)
11	19258-2	BOOM PIN ASSEMBLY (LONG)	51	17356	OVERLOAD ALARM (OPTIONAL)
12	RL-644	HOLE PLUG - 1"	52	17150-20	PENDANT ASSEMBLY - 3 SWITCH x 20 FOOT CORD
13	RL-644	HOLE PLUG - 1"	53	17367	SIDE COVER
14	20189	LOWER BEARING - 5" OD x 1" LONG	54	17372	UPPER BEARING HOUSING
15	18860	SPROCKET & SHAFT ASSY	55	-	-
16	15650	WORM	56	19693	HOSE, ELEVATION CYL RETURN - 36" LONG
17	15651	WORM GEAR	57	17395	HOSE, ELEVATION CYL PRESSURE - 34" LONG
18*	15675	SHIM - 1 1/4" ID x .015", .031"	58	-	-
19	15676	REAR COVER	59	17007	CABLE SHEAVE
20	15681	UPPER BEARING	60	17059-4	SHEAVE AXLE
21	15696	NEEDLE THRUST BEARING	61	01272-1	BUSHING
22	15697	THRUST RACE	62	!JNUT-07510N	JAM LOCK NUT - 3/4"-10 NYLON
23	15698	NEEDLE THRUST BEARING	63	-	-
24	15699	THRUST RACE	64	15810-7/32-65	WIRE ROPE ASSY - 7/32" x 65 FT
25	-	-	65	19164	COVER - ELEVATION CYLINDER
26	-	-	66	16735	HEADACHE BALL ASSY (INCLUDES HARDWARE)
27*	15929	WOODRUFF KEY - 1/4" x 1 1/4"	67	▲ 20083	NUT BAR ROTATION P.U. - GROUNDING
28	15999	SPROCKET - #40 x 10 TOOTH	68	▲ 15664	NUT BAR - ROTATION P.U.
29	16107	ROTATION POWER UNIT	69	-	-
30	16614	WINCHDRUM SHAFT	70	-	-
31	16822	WINCHDRUM	71	17824	FIELD SERVICE LABEL KIT - ET10K W/7 - 15 FT BOOM
32	16825	PIVOT PIN, BOOM	72	-	-
33	16828	PIVOT PIN, CYL TAIL - 1" DIA x 2 3/4" LONG	73	-	-
34	16829	FRONT COVER	74	-	-
35*	17011	BOOT, SWIVEL TERMINAL	75	-	-
36	17211	WINCH POWER UNIT	76	-	-
37	17218	SPROCKET - #40 x 12 TOOTH	77	-	-
38	18870	WELDED HOUSING ASSY	78	-	-
39	18856	LWR B.P. ASSY	79	-	-
40	18459	WINCHDRUM GUARD - LH	80	-	-
		REPLACEMENT PARTS DWG REF 19363	*	15828	SMALL PARTS KIT (INCLUDES * ITEMS) SN: 60101 & UP



MANUFACTURING, INC.
CINCINNATI, OHIO

TITLE
REPLACEMENT PARTS

DATE
2-18-02J

SECTION
C400

ET10K-7/15

SUPERCEDES
10-30-01H

19289

FASTENER LIST FOR INSTALLATION DRAWING ET10K-7/15

PART NUMBER	DESCRIPTION	QTY	LOCATION/FUNCTION
!HHCS05013150	HHCS - 1/2"-13 x 1-1/2"	10	BASE PLATE
!LWSH-050	LOCK WASHER - 1/2"	10	BASE PLATE
18873	CAPSCREW-MODIFIED	6	WORM GEAR/QUILL HUB
!LWSH-038-HC	LOCK WASHER - 3/8" HI COLLAR	6	BULL GEAR 15651
!HHCS03816200TB	HHCS - 3/8"-16 x 2" TAP BOLT	1	ADJ FOR ROTA MOTOR
!HNUT-03816	HEX NUT - 3/8"-16, PLATED	1	ADJ FOR ROTA MOTOR
!HHCS03118250	HHCS - 5/16"-18 x 2-1/2"	1	BOOMPIN
▲ -	- ▲	- ▲	- ▲
▲ !LNUT-03118	LOCKNUT - 5/16"-18 ▲	1	BOOMPIN
!HHCS03816150	HHCS - 3/8"-16 x 1-1/2"	3	WINCH POWER UNIT
!HHCS03816300	HHCS - 3/8"-16 x 3"	1	WINCH POWER UNIT
!LWSH-038	LOCK WASHER - 3/8"	4	WINCH POWER UNIT
!HHCS03816125	HHCS - 3/8"-16 x 1-1/4"	1	ROTATION MOTOR
!HHCS03816150	HHCS - 3/8"-16 x 1-1/2"	2	ROTATION MOTOR
!HHCS03816300	HHCS - 3/8"-16 x 3"	1	ROTATION MOTOR
!LWSH-038	LOCK WASHER - 3/8"	4	ROTATION MOTOR
!LWSH-031	LOCK WASHER - 5/16"	2	HYDRAULIC MOTOR
!HHCS03816225-5	HHCS - 3/8"-16 x 2-1/4"	2	HYDRAULIC MOTOR
!HHCS03118075	HHCS - 5/16"-18 x 3/4"	2	HYDRAULIC MOTOR
!LWSH-038	LOCK WASHER - 3/8"	2	HYDRAULIC MOTOR
!HHCS03816125	HHCS - 3/8"-16 x 1-1/4"	4	UPPER BEARING HOUSING
!LWSH-038	LOCK WASHER - 3/8"	4	UPPER BEARING HOUSING
!HHCS02520063-5	HHCS - 1/4"-20 x 5/8"	8	CHAIN GAURD - WINCH DRUM
!LWSH-025	LOCK WASHER - 1/4"	8	CHAIN GAURD - WINCH DRUM
!HNUT-02520	HEX NUT - 1/4"-20	6	CHAIN GAURD - WINCH DRUM
!LWSH-#10	LOCK WASHER - #10	2	WIRING
!HWHS02520063-F	HEX WASHER HEAD - 1/4"-20 x 5/8"	14	COVERS & WIRING
!PHCS02520075	PHCS - 1/4"-20 x 3/4", SLOTTED	8	WIRING
!LWSH-025	LOCK WASHER - 1/4"	8	WIRING
!HNUT-02520	HEX NUT - 1/4"-20	8	CONTACTORS
!PHCS-#1024050	PHCS - 10-24 x 1/2"	2	CIRCUIT BREAKER
!UNUT15195-1420	U-NUT - 1/4"-20	2	VOLTAGE STABILIZER
!UNUT-#1024	U-NUT - #10-24 x 3/8"	2	CIRCUIT BREAKER
!FWSH-038	FLAT WASHER - 3/8"	4	CRATING
!CHCS03118400	CARRIAGE BOLT - 5/16-18 x 4"	4	CRATING
!FWSH-031	FLAT WASHER - 5/16"	4	CRATING
!HNUT-03118	HEX NUT - 5/16"-18	4	CRATING
!LWSH-#10	LOCK WASHER - #10	2	CIRCUIT BREAKER
!RPIN-025100	ROLL PIN - 1/4" x 1"	1	CYLINDER PIN
!RPIN-025175	ROLL PIN - 1/4" x 1-3/4"	1	CYLINDER PIN
!RPIN-038100	ROLL PIN - 3/8" x 1"	4	BASE PLATE
!SHCS05013125	SHCS - 1/2"-13 x 1-1/4"	4	ADJ BEARING PLATE
!LWSH-050	LOCK WASHER - 1/2"	4	ADJ BEARING PLATE
!SHCS03824150	SHCS - 3/8"-24UNF x 1-1/2"	2	WORM BLOCK FORE/AFT
!SHCS03824100KC	SET SCREW - 3/8"-24 x 1"	2	WORM BLOCK FORE/AFT
25593	SET SCREW - FLAT FACE - 1/2"-20 x 1"	1	WORM BLOCK LEFT/RIGHT SECURE
!HWHS02520038-F	HEX WASHER HEAD - 1/4"-20 x 3/8"	4	LOWER COVERS
!HNUT-#1032	HEX NUT - #10-32	2	CIRCUIT BREAKER
!LWSH-#10	LOCK WASHER - #10	2	CIRCUIT BREAKER
!SHCS03816050KC	SET SCREW - 3/8"-16 x 1/2"	2	WORM - ROTATION
!ZERK02528	ZERKLUBE FITTING - 1/4"-28	2	-
-	-	-	-
-	-	-	-
-	-	-	-
-	-	-	-

REPLACEMENT PARTS DWG REF 19363



MFG., INC.
CINCINNATI, OHIO

TITLE
REPL. FASTENERS LIST

ET10K

DATE
5-1-01D

SUPERCEDES
8-16-00C

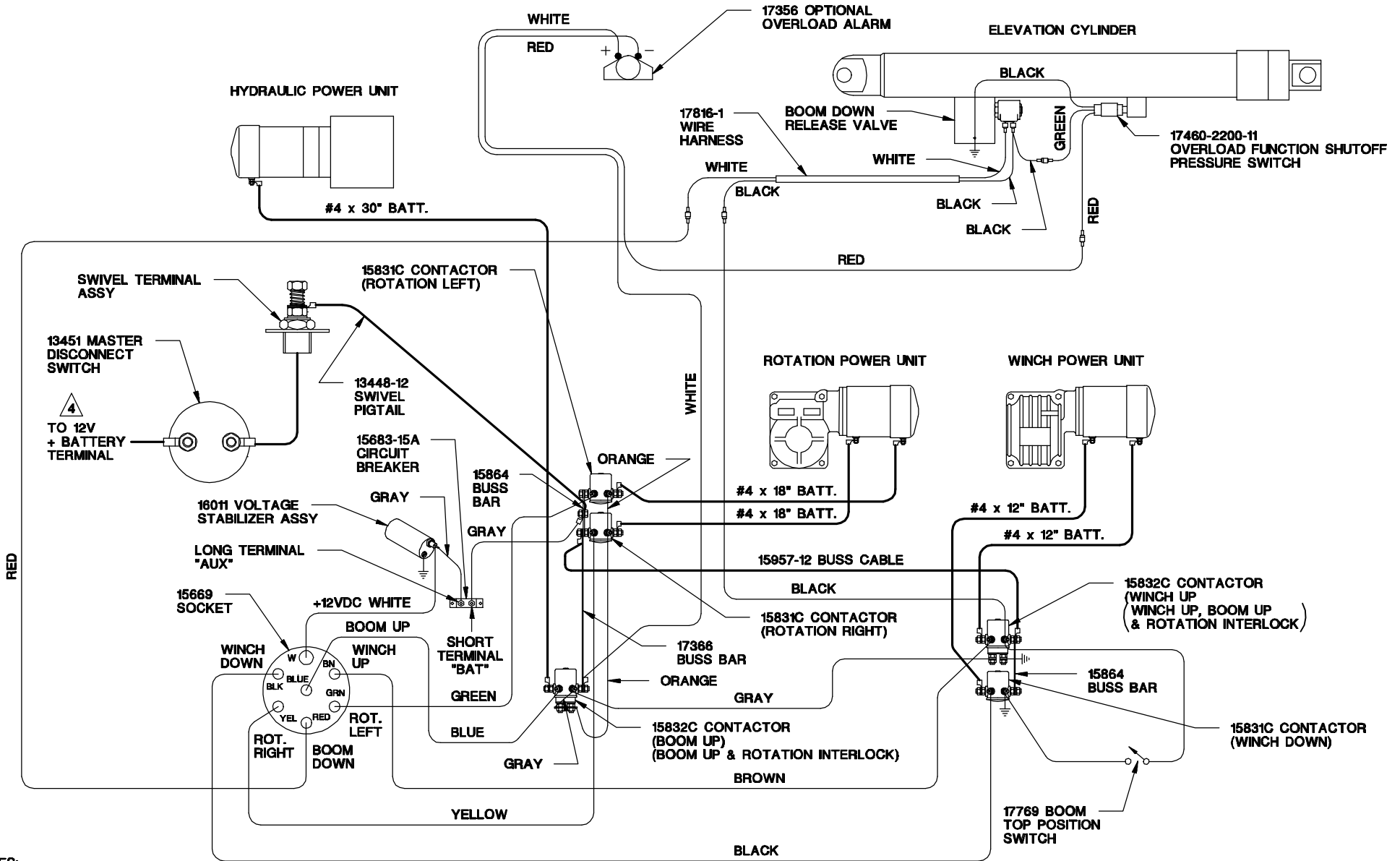
SECTION
C400

19301

				11	1	19302	SET COLLAR
22	1	19588	WIRE HARNESS	10	4	ILWSH-031	LOCK WASHER - 5/16"
21	1	19587	WIRE HARNESS	9	4	IHCS03118050-5	HEX HEAD CAP SCREW - 5/16-18 x 1/2"
20	1	ILWSH-025	LOCK WASHER - 1/4"	8	1	19275	CABLE CLAMP - 3/4" x 13/32" HOLE
19	1	22490	SPACER - BOOM ARROW	7	2	19270	SNAP BUSHING - 3/8" I.D.
18	2	IHNUT-02520	HEX NUT - 1/4-20	6	1	19063	SNAP BUSHING - 1/2" I.D.
17	1	IHCS02520100-5	HEX HEAD CAP SCREW - 1/4-20 x 1" GR. 5	5	1	19058	COVER - CORD REEL
16	4	IHCS02520175	HEX HEAD CAP SCREW - 1/4-20 x 1 3/4"	4	1	19855 ▲	SWITCH BRACKET
15	2	ILWSH-#06	LOCK WASHER - #6	3	1	19377-1	CABLE WEIGHT ASSY
14	2	IFWSH-#06	FLAT WASHER - #6	2	1	22388-1	CORD REEL ASSY
13	2	IHNUT-#0632	HEX NUT - #6-32	1	1	19376	LIMIT SWITCH
12	2	IPHMS#632125	PAN HEAD MACHINE SCREW - #6-32 x 1 1/4"	ITEM	QTY	PART NO.	DESCRIPTION



TITLE	DATE	SECTION
REPLACEMENT PARTS DWG	11-30-01A	C400
19197-3 ANTI-TWO-BLOCK SYSTEM	SUPERSEDES 9-1-99	20197-3



NOTES:

1. SEE DWG 19314 FOR PENDANT CONTROL ASSY.
 2. SEE DWG 17817 FOR CONTROL WIRE SET.
 3. SEE DWG 17375 FOR BATTERY CABLE KIT.
- ⚠ THIS CRANE OPERATES ON NEGATIVE GROUND SYSTEM ONLY.



MANUFACTURING, INC.
CINCINNATI, OHIO

TITLE
WIRING DIAGRAM

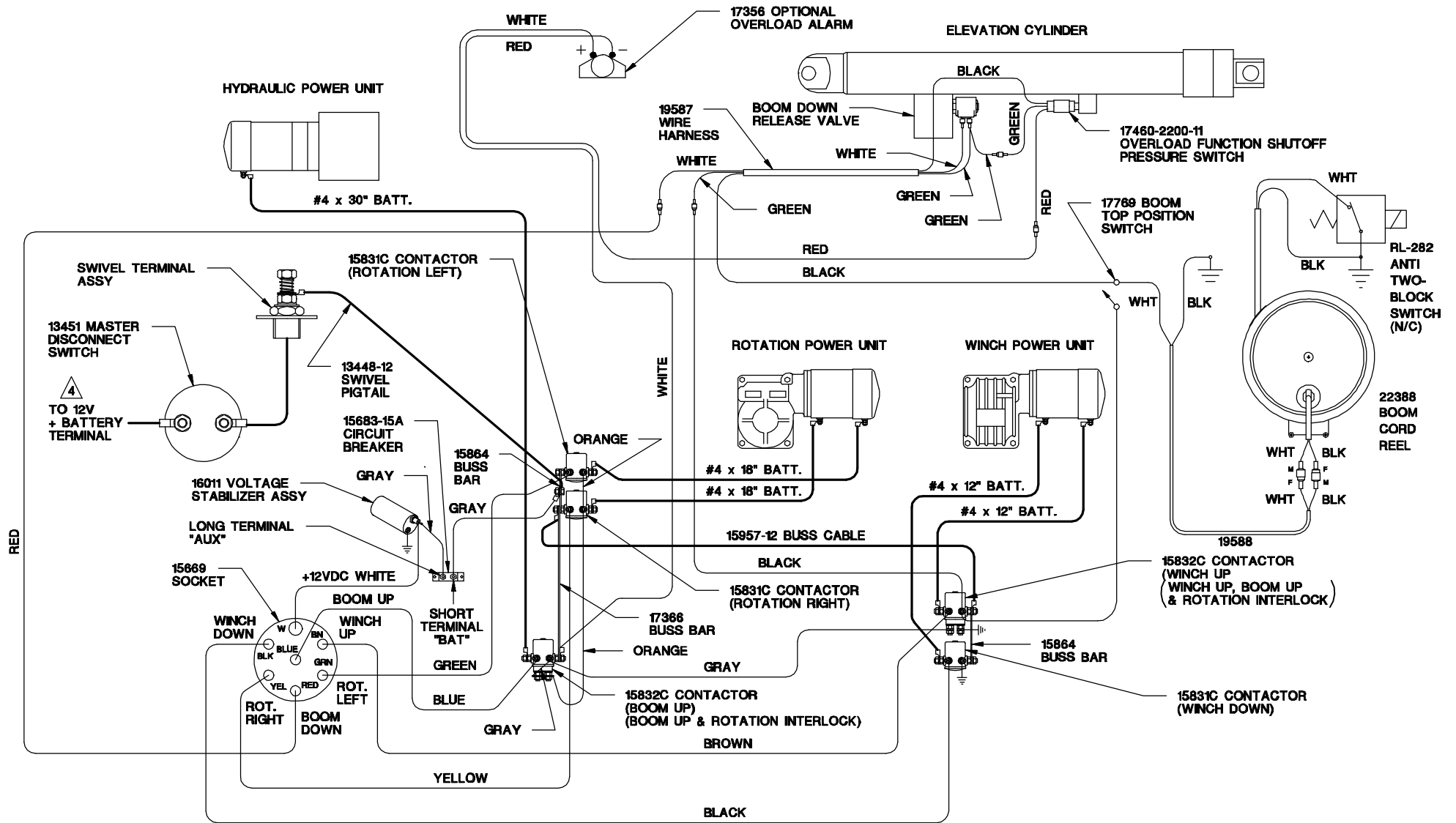
ET10K

DATE
10-14-97C

SUPERSEDES
9-25-97B

SECTION
C400

17381



NOTES:

1. SEE DWG 19314 FOR PENDANT CONTROL ASSY.
 2. SEE DWG 17817 FOR CONTROL WIRE SET.
 3. SEE DWG 17375 FOR BATTERY CABLE KIT.
- ⚠ THIS CRANE OPERATES ON NEGATIVE GROUND SYSTEM ONLY.



MANUFACTURING, INC.
CINCINNATI, OHIO

TITLE
WIRING DIAGRAM

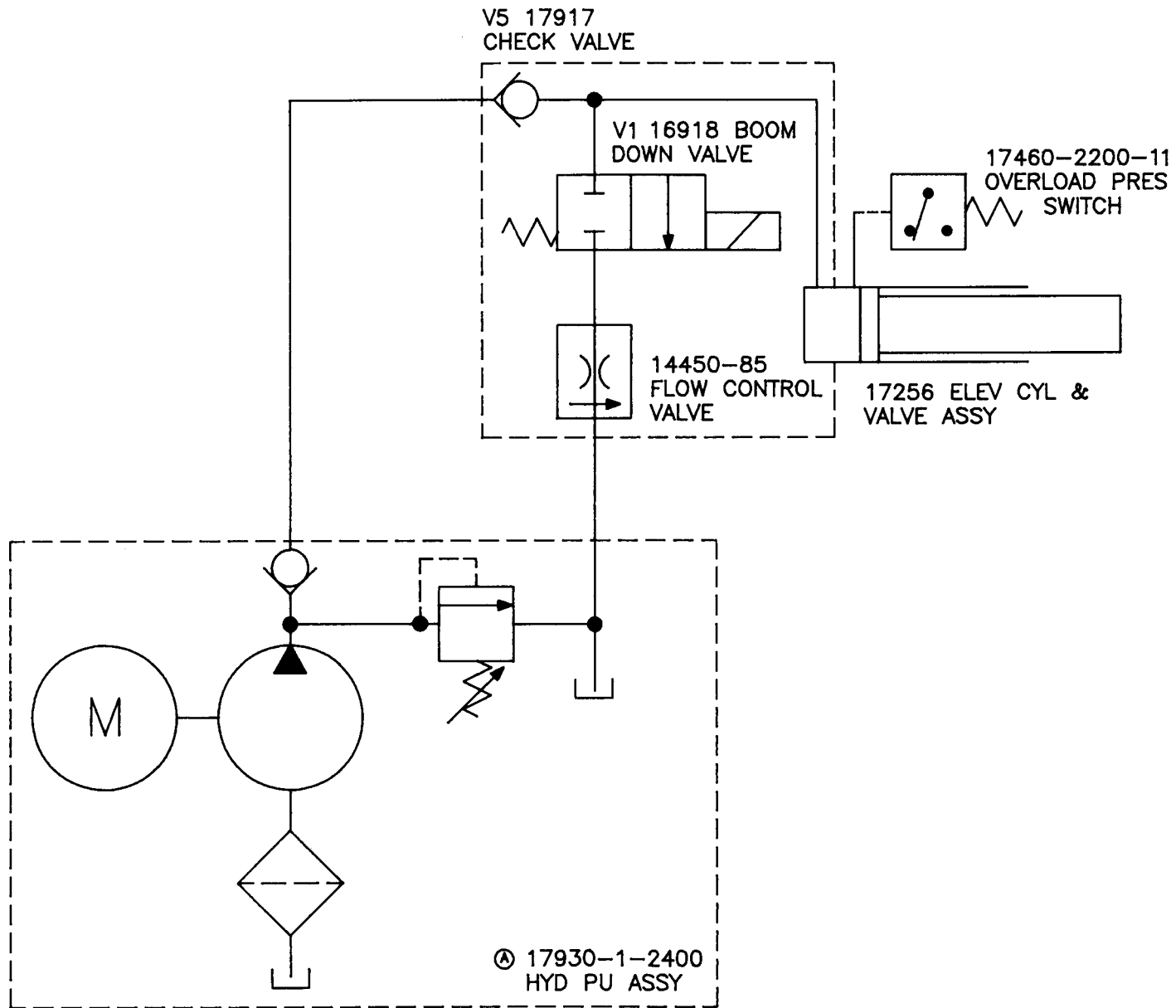
ET10K WITH ANTI-2-BLOCK

DATE
2-4-99

SUPERSEDES
-

SECTION
C400

19586



MANUFACTURING, INC.
CINCINNATI, OHIO

TITLE
HYDRAULIC SYSTEM DIAGRAM

DATE
6-19-98B

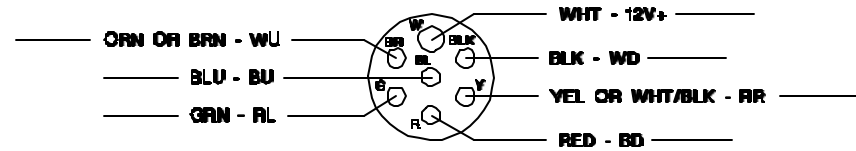
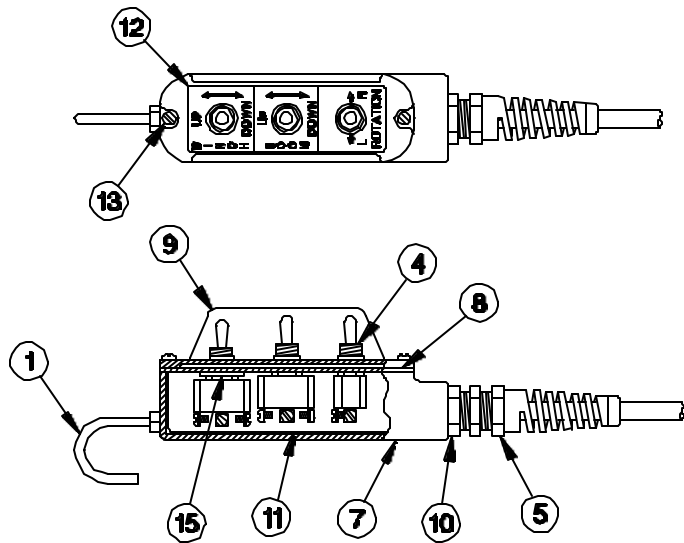
SECTION
C400

ET10K

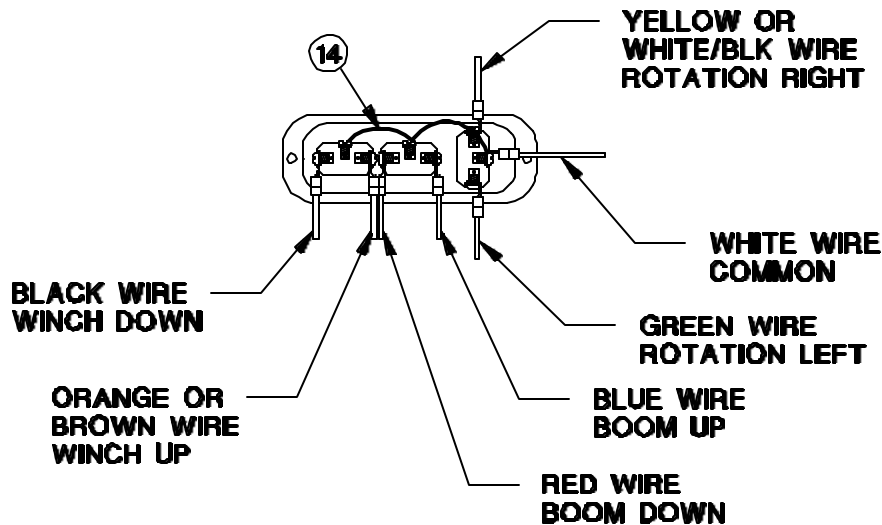
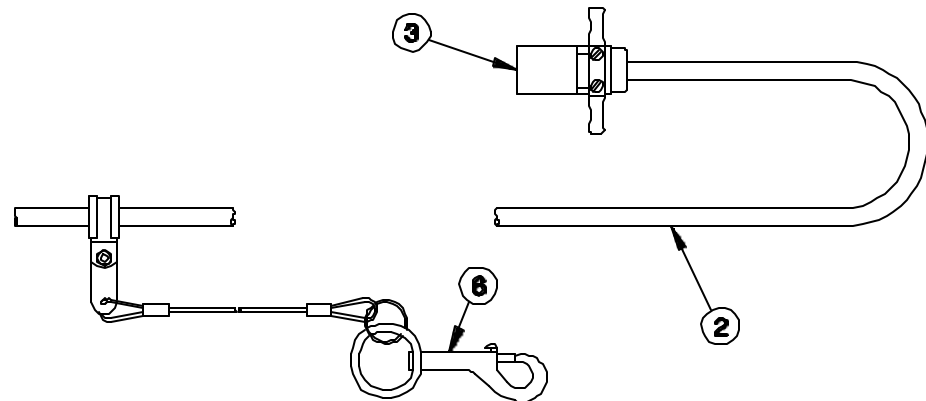
SUPERCEDES
11-20-91A

17935

▲ 17150 SERIES PENDANT CORD



PLUG - BACKSIDE VIEW



15	1	12534-4	MACHINERY BUSHING - 1/2" I.D. x 7/8" O.D. x 14 GA.
14	1	19306	3SW PENDANT CORD JUMPER
13	2	IPHCS#0832050	PHCS 8-32 x 1/2
12	1	25538	DECAL, 3SW CONTROL PENDANT
11	1	15629	INSULATOR FOR CONDULET
10	1	HRDB16MP-12FP	HYD BUSHING
9	1	15626	PENDANT COVER
8	1	25825	GASKET 1"
7	1	25624	ENCLOSURE 1"
6	1	15913-2	PHAN, CLAMP AND TETHER ASSY
5	1	25534	PLASTIC 3/4" STRAIN RELIEF
4	3	13783	TOGGLE SWITCH
3	1	24348	PLUG - 7 POLE
2	1	17151-xx	CORD ASSY (xx = LENGTH IN FT.)
1	1	11557	PENDANT HOOK
ITEM	QTY	PART NO.	DESCRIPTION

VENTURO MANUFACTURING, INC.
CINCINNATI, OHIO

TITLE
REPL. PARTS DWG.

3 FUNCTION CRANES

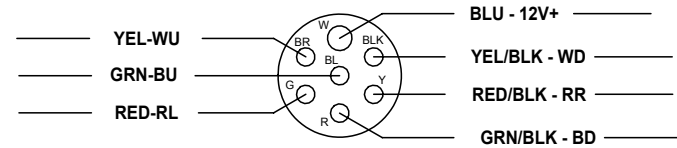
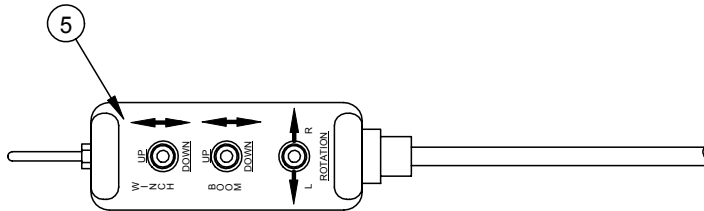
DATE
4-10-00A

SUPERSEDES
11-15-99

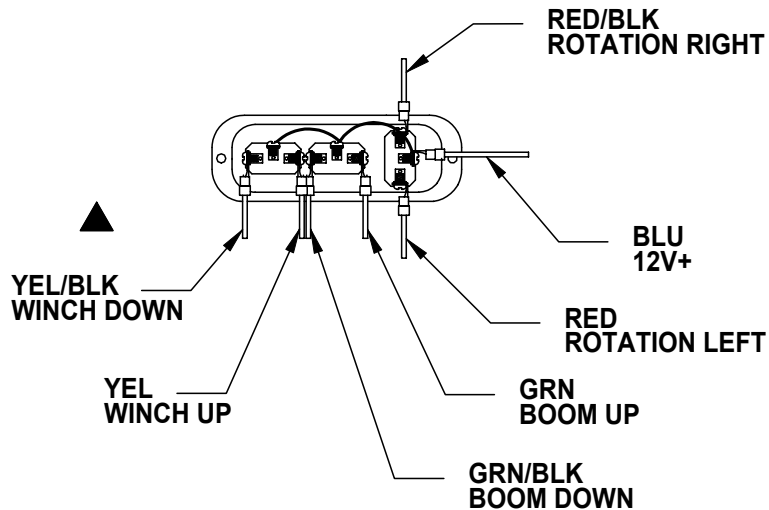
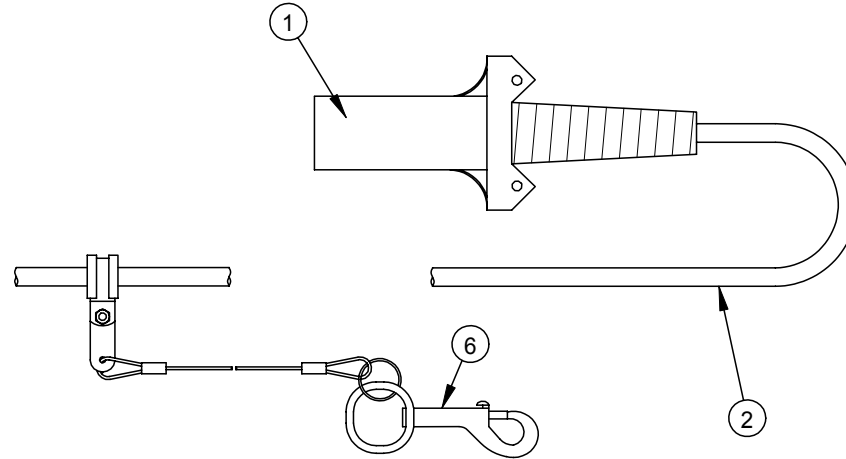
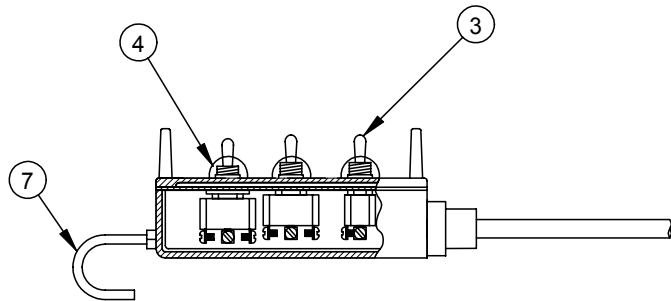
SECTION
C400

20150

19790 3-SWITCH PENDANT



PLUG - BACKSIDE VIEW



ITEM	QTY	PART NO.	DESCRIPTION
7	1	11557	PENDANT HOOK
6	1	15913-2	PHAN, CLAMP AND TETHER ASSY
5	1	25538	DECAL
4	3	19793	TOGGLE BOOT
3	3	13763	TOGGLE SWITCH
2	1	17151-xx	CORD ASSY (xx = LENGTH IN FT.)
1	1	24348	PLUG - 7 POLE



MANUFACTURING, INC.
CINCINNATI, OHIO

TITLE
REPL. PARTS DWG.

3 FUNCTION CRANES

DATE
10-18-01B

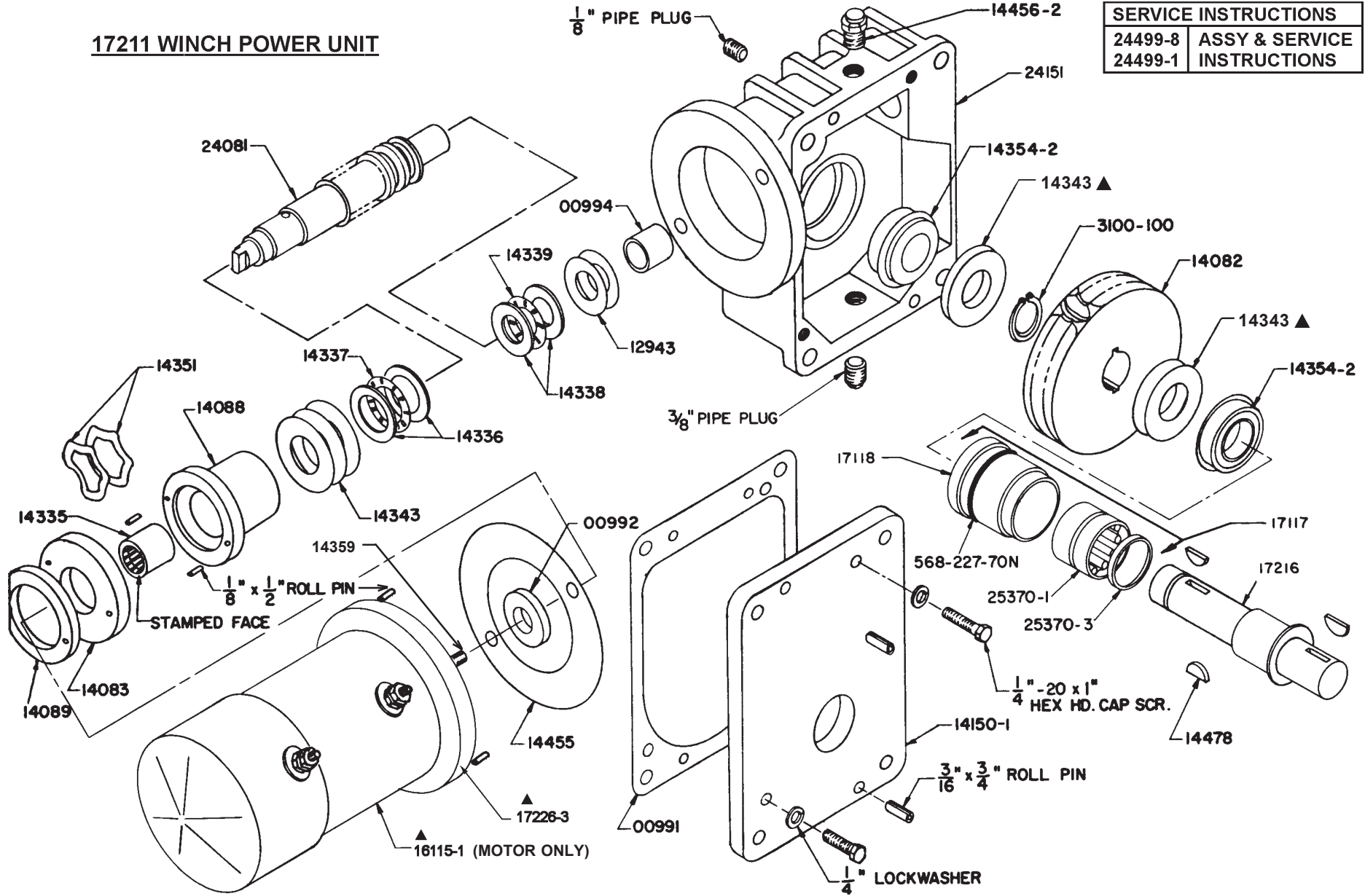
SUPERSEDES
4-10-00A

SECTION
C400

19791

17211 WINCH POWER UNIT

SERVICE INSTRUCTIONS	
24499-8	ASSY & SERVICE
24499-1	INSTRUCTIONS




MANUFACTURING, INC.
CINCINNATI, OHIO

TITLE	DATE	SECTION
REPLACEMENT PARTS	1-30-03D	C400
ET10K(X)	SUPERCEDES 1-4-01C	17210

REPLACEMENT PARTS LIST - 17211 WINCH POWER UNIT

MODEL: ET10K(X)



PART NO.	DESCRIPTION
* 00991 * 00992 00994 * 12943-1 * 12943-2	GASKET SEAL WORM SHAFT BUSHING SHIM WASHER - 3/4" x 1 1/2" x .005" (AS REQUIRED) SHIM WASHER - 3/4" x 1 1/2" x .015" (AS REQUIRED)
* 12943-3 14082 14083 14088 14089	SHIM WASHER - 3/4" x 1 1/2" x .030" (AS REQUIRED) WORM GEAR BRAKE MOTOR CLUTCH HOUSING (INCLUDES 1/8" x 1/2" ROLL PIN) BRAKE DISC
14150-1 14335 14336 14337 14338	COVER ROLLER CLUTCH THRUST RACE - 1" NEEDLE THRUST BEARING - 1" I.D. THRUST RACE - 3/4"
14339 * 14343-1 * 14343-2 * 14343-4 * 14345-1	NEEDLE THRUST BEARING - 3/4" I.D. SHIM WASHER - 1" x 1 1/2" x .005" (AS REQUIRED) SHIM WASHER - 1" x 1 1/2" x .015" (AS REQUIRED) SHIM WASHER - 1" x 1 1/2" x .031" (AS REQUIRED) SHIM WASHER - 1" x 2" x .005" (AS REQUIRED)
* 14345-2 * 14351 14354-2 * 14455 14456-2 * 14478	SHIM WASHER - 1" x 2" x .015" (AS REQUIRED) WAVE WASHER BALL BEARING GASKET - MOTOR BREATHER CAP ASSEMBLY #91 WOODRUFF KEY - 1/4" x 3/4"
24081 24151 16115  25370-1 * 25370-3 17117	WORM & SHAFT GEAR CASE MOTOR (INCLUDES 00992 SEAL) ROLLER BEARING (INCLUDES 25370-3 SEAL) SEAL BEARING & HOUSING ASSEMBLY (INCLUDES 25370-1, 25370-3, 17118 & 568-277-70N)
17216 17218 * 3100-100 * OR-227-7 * IRPIN-013050 * IRPIN-019075	SHAFT & RACE ASSEMBLY BEARING HOUSING RETAINING RING O-RING - 2 1/8" x 2 3/8" x 1/8" ROLL PIN - 1/8" x 1/2" ROLL PIN - 3/16" x 3/4"
16485 17468-1 17468-2	SHIM, KEY, PIN & SEAL KIT (INCLUDES ITEMS MARKED *) MOTOR REPAIR KIT (INCLUDES 00992 SEAL & 14455 GASKET) FOR 17221-1 MOTOR MOTOR REPAIR KIT (INCLUDES 00992 SEAL & 14455 GASKET) FOR 17221-2 MOTOR

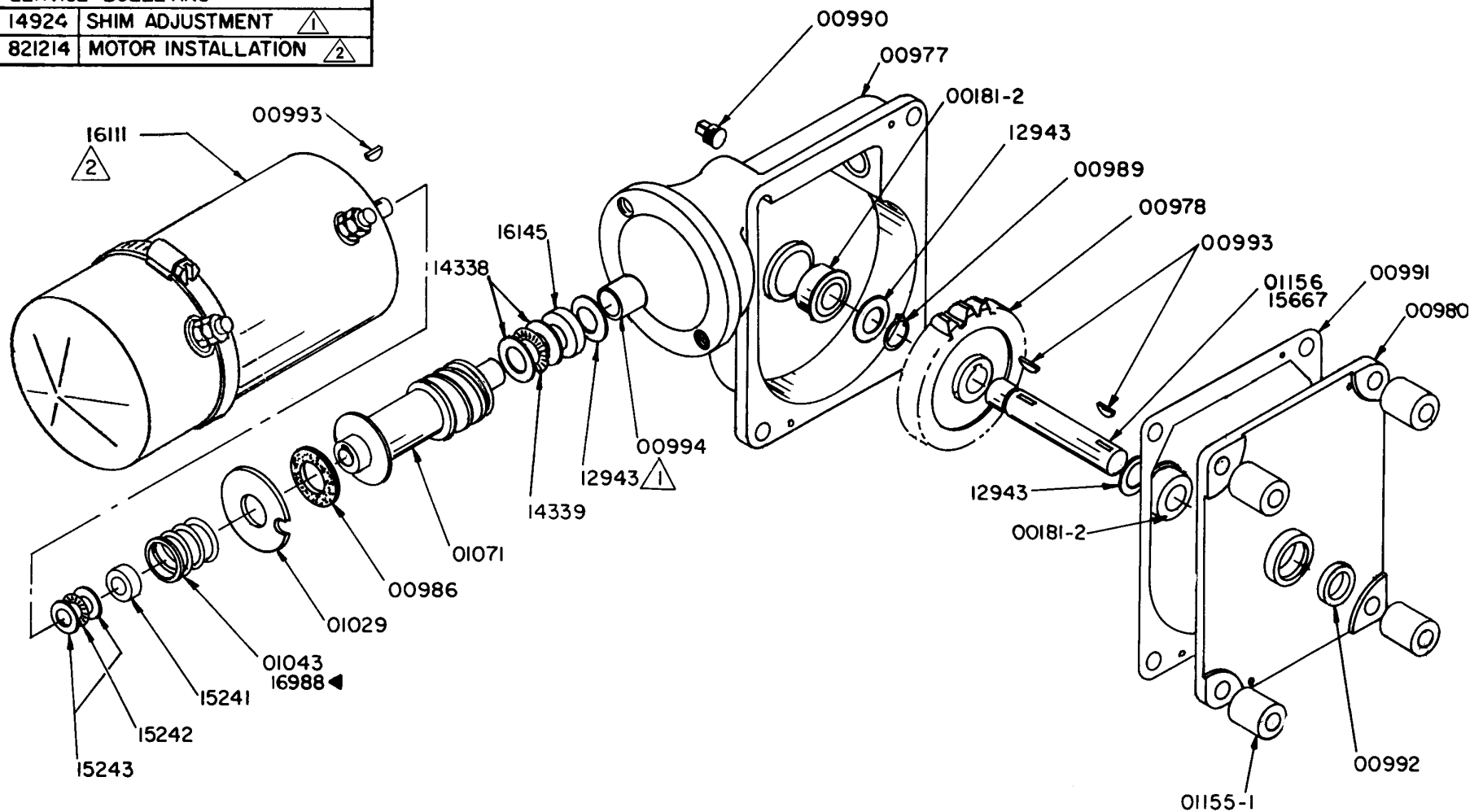
 16115 MOTOR REPLACES 17221 MOTOR



MFG., INC.
CINCINNATI, OHIO

TITLE	DATE	SECTION
REPL. PARTS LIST	1-18-99C	C400
17211 WINCH PU	SUPERCEDES 6-19-98B	900308

SERVICE BULLETINS	
14924	SHIM ADJUSTMENT 
821214	MOTOR INSTALLATION 



SEE DWG. 14924/14926 FOR SERVICE INSTRUCTION

16100 SERIES POWER UNITS



MANUFACTURING, INC.
CINCINNATI, OHIO

TITLE
REPLACEMENT PARTS

WINCH & CRANE

DATE
6-17-98D

SUPERCEDES
10-3-88C

SECTION
C400

116100

REPLACEMENT PARTS LIST - 16100 ELECTRIC POWER UNIT

MODEL(S): ET5500MPB, ET6KM, ET6KR

PART NO.	DESCRIPTION
16101 16102 16105 16106 16107	POWER UNIT - LONG SHAFT - ET5500R WINCH [△] POWER UNIT - SHORT SHAFT - ET5500R ROTATION POWER UNIT - LONG SHAFT - CA 2000, CT 2003, WA/SL 3000 (WITH SPACERS) POWER UNIT - LONG SHAFT - ET5500 WINCH (WITHOUT SPACERS) [△] POWER UNIT - SHORT SHAFT - ET5500R ROTATION
00181-2 00977 00978 00980 * 00986	FLANGE BEARING - 3/4" BORE x 1 3/4" O.D. GEAR CASE (INCLUDES 00994 BUSHING) WORM GEAR BASE PLATE BRAKE DISC
* 00989 00990 * 00991 * 00992 * 00993 [△]	LOCK RING OIL PLUG - 1/4" PIPE GASKET OIL SEAL KEY - #9 WOODRUFF
00994 01029 01043 [△] 01071 01155-1	BUSHING BRAKE PLATE BRAKE SPRING (16102 & 16107 ROTATION POWER UNIT ONLY) WORM SHAFT SPACER (16105 ONLY)
01156 * 12943-1 [△] * 12943-2 [△] * 12943-3 [△] 14338	WORM GEAR SHAFT - 3/4" x 5 3/16" LONG (16105 & 16106 ONLY) SHIM WASHER - .005" THICK (AS REQUIRED) SHIM WASHER - .015" THICK (AS REQUIRED) SHIM WASHER - .030" THICK (AS REQUIRED) NEEDLE THRUST RACE 3/4" I.D.
14339 15241 15242 15243 15667	NEEDLE THRUST BEARING 3/4" I.D. SPACER (INSTALL NEXT TO BRAKE PLATE) NEEDLE THRUST BEARING 5/8" I.D. NEEDLE THRUST RACE .092" x 5/8" I.D. WORM GEAR SHAFT - 3/4" x 4 3/16" LONG (16102 & 16107 ONLY)
16111 [△] 16145 16988 [△]	MOTOR - 12 VOLT 4 1/2" DIAMETER SPACER BRAKE SPRING (16101, 16105 & 16106 WINCH POWER UNITS ONLY)
14889 15290	MOTOR REPAIR KIT SMALL PARTS KIT (INCLUDES ITEMS MARKED *)

[△]1 AVAILABLE ONLY AS PART OF 15290 SMALL PARTS KIT

[△]2 16101 POWER UNIT REPLACED BY 16106 POWER UNIT
16102 POWER UNIT REPLACED BY 16107 POWER UNIT

[△]3 REPLACE 30E & 16100 POWER UNITS AS FOLLOWS:
16105 REPLACES 11497
16106 REPLACES 11497NS & 16101
16107 REPLACES 16102

[△]4 16111 MOTOR REPLACES 01024 E & F & 16112 MOTORS
ON ALL 30E & 16100 SERIES POWER UNITS

[△]5 16988 BRAKE SPRING REPLACES 01043 BRAKE SPRING ON
16101, 16105 & 16106 WINCH POWER UNITS ONLY



MFG., INC.
CINCINNATI, OHIO

TITLE
REPL. PARTS LIST

16100 ELECTRIC PU

DATE
8-10-99D

SUPERCEDES
6-17-98C

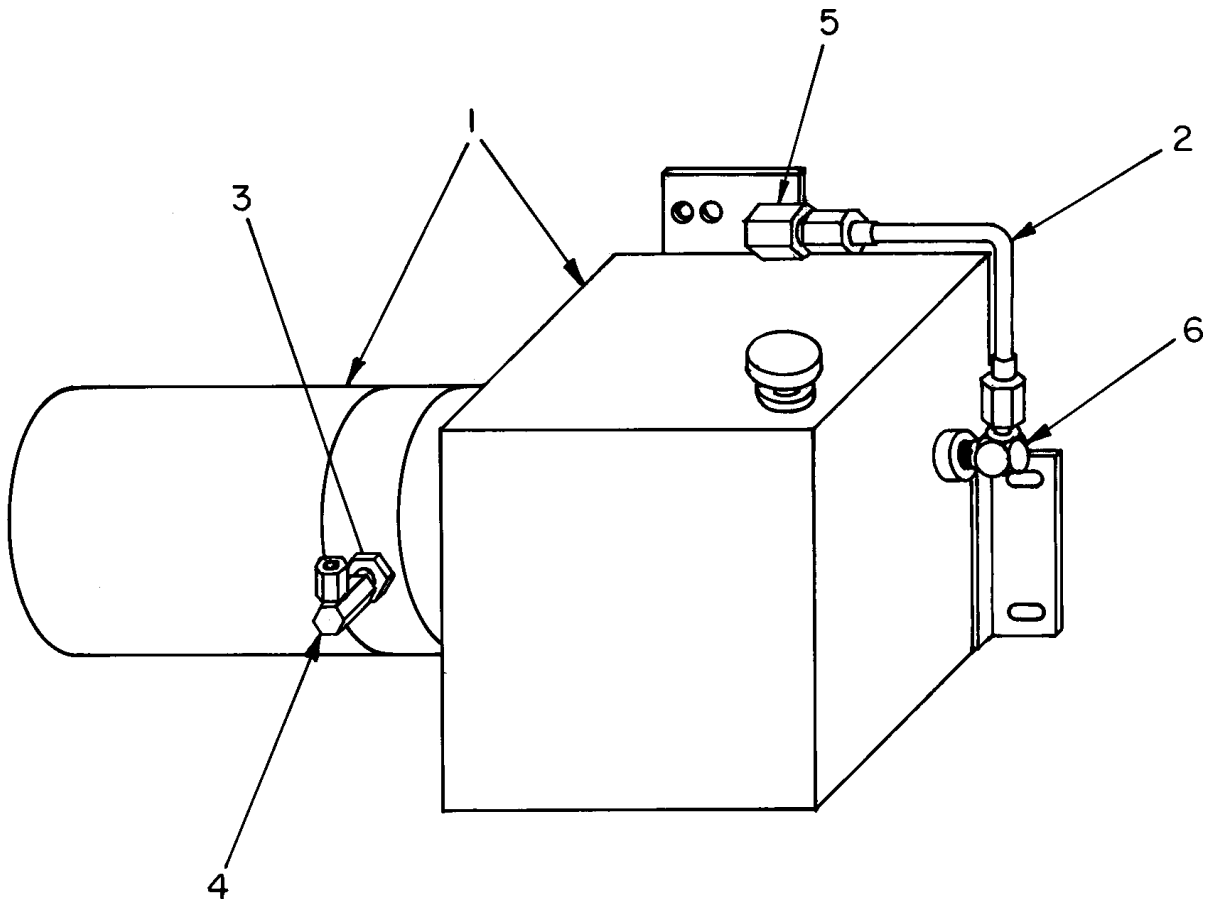
SECTION
C400

811016

REPLACEMENT PARTS LIST - 17930-1 HYDRAULIC POWER UNIT

MODEL: ET10K

ITEM	PART NO.	DESCRIPTION
	17930-1	HYDRAULIC POWER UNIT ASSEMBLY
1	17260-1-2400	HYDRAULIC POWER UNIT
2	17293	RETURN TUBE ASSEMBLY
3	HRDB6MP-2FP	PIPE BUSHING 3/8" - 1/8" NPT
4	HELB2MP-2FX-90	SWIVEL ADAPTER
5	HTAD6MJ-4FP	STRAIGHT ADAPTER
6	HTEL6MJ-4MP-90	ELBOW TUBE ADAPTER



MFG., INC.
CINCINNATI, OHIO

TITLE
REPLACEMENT PARTS

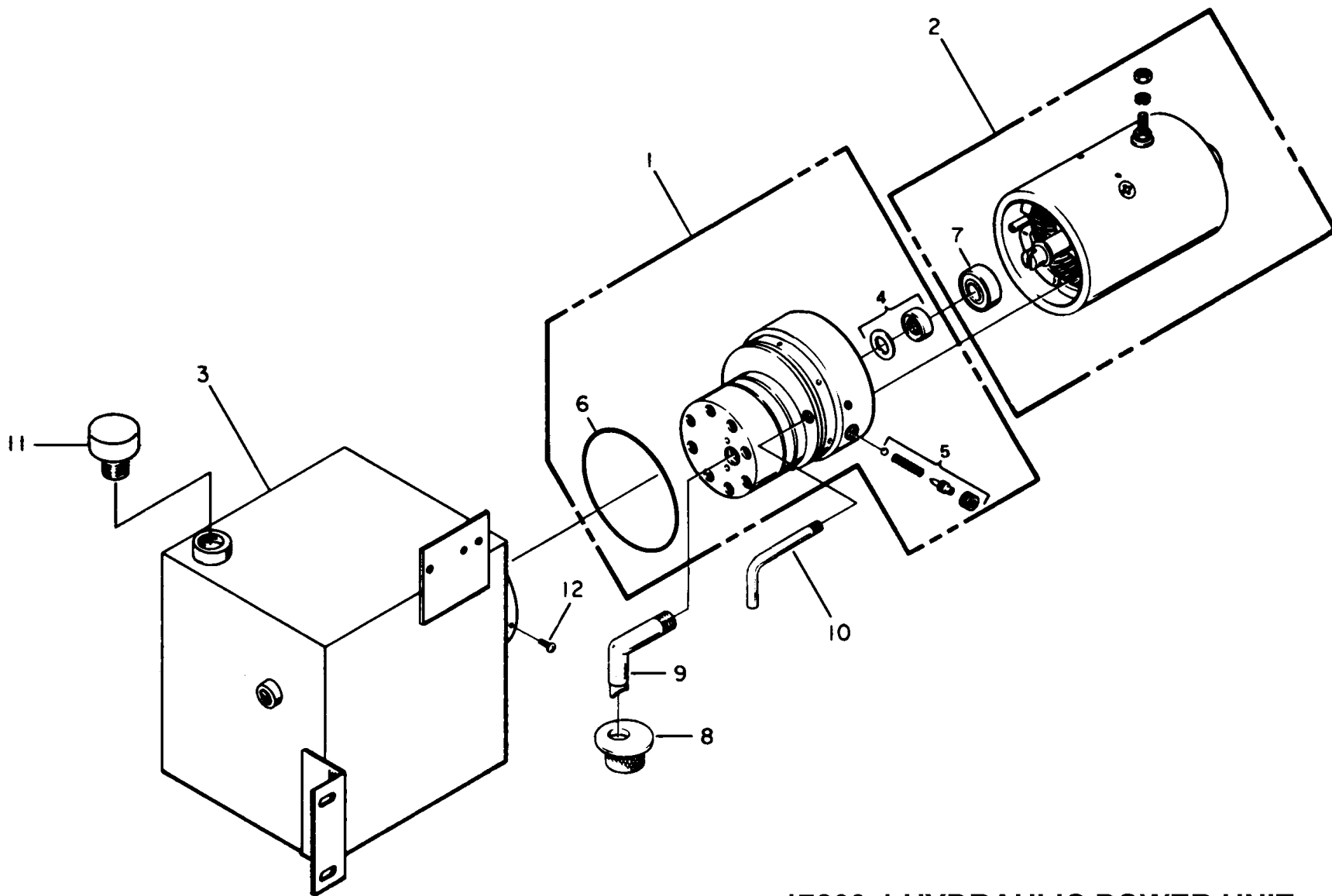
ET10K

DATE
6-19-98A

SUPERCEDES
6-7-91

SECTION
C400

117930



17260-1 HYDRAULIC POWER UNIT



MANUFACTURING, INC.
CINCINNATI, OHIO

TITLE
REPLACEMENT PARTS

DATE
6-19-98A

SECTION
C400

ET10K(X)

SUPERCEDES
2-20-90

17451

REPLACEMENT PARTS LIST - 17260-1 HYDRAULIC POWER UNIT

MODEL: ET10K(X)

ITEM	PART NO.	DESCRIPTION
	17260-1-2400*	HYDRAULIC POWER UNIT
1	16943	PUMP ASSEMBLY
2	16940	MOTOR - 12V DC
3	17283	RESERVOIR ASSEMBLY
4	02330	SEAL & GASKET KIT
5	02220	RELIEF VALVE KIT
6	OR-239-7	O-RING (3 5/8" x 3 7/8" x 1/8")
7	02318	BALL BEARING
8	01134	SUCTION FILTER SCREEN
9	-	SUCTION TUBE
10	-	RETURN TUBE
11	19276	VENT PLUG (3/8" NPT)
12	07703	SCREW (10-24NC x 3/8")
-	17282	PACKING KIT

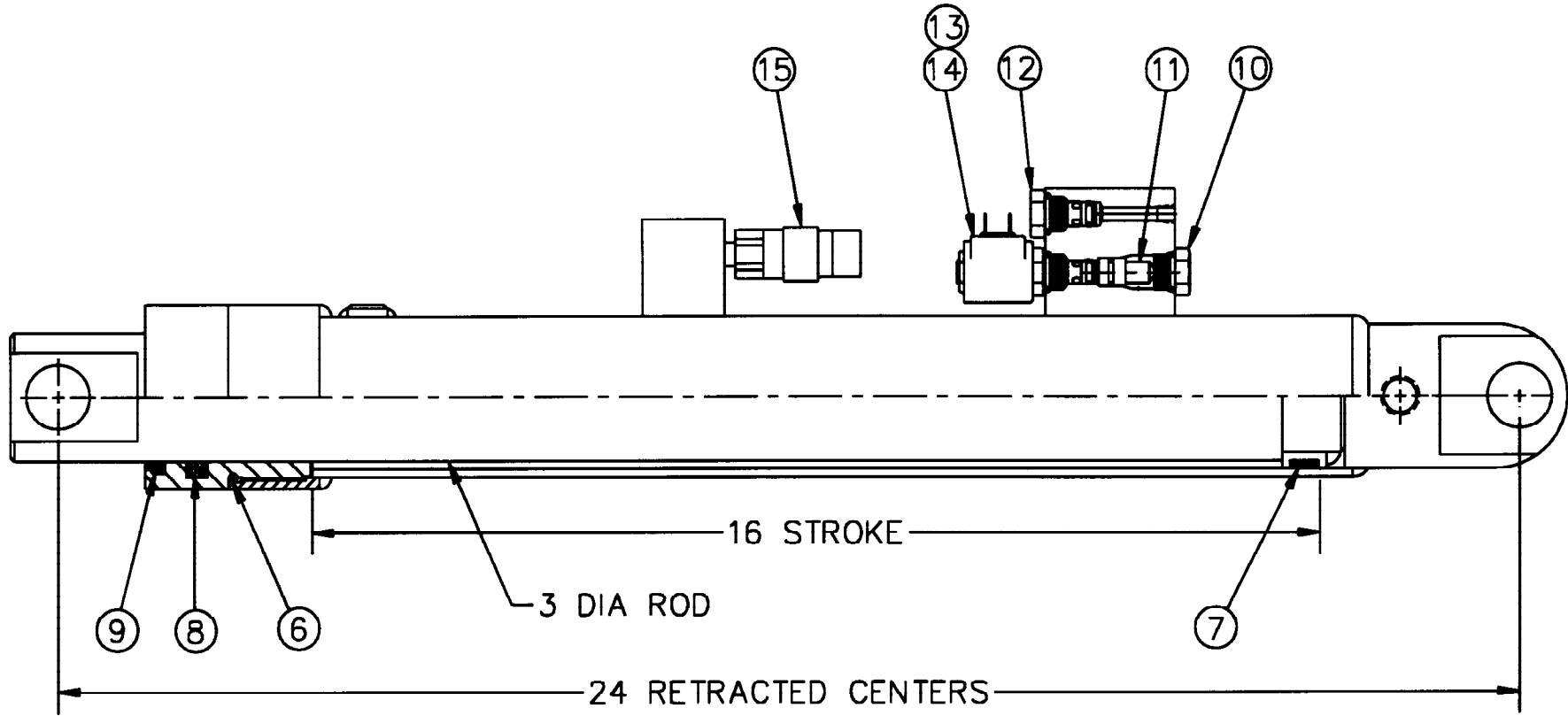
*STANDARD RELIEF VALVE SETTING - P.S.I.



MFG., INC.
CINCINNATI, OHIO

TITLE	DATE	SECTION
REPLACEMENT PARTS	6-22-98A	C400
ET10K(X)	SUPERCEDES 2-20-90	900220

17256-3 ELEVATION CYLINDER



REPLACEMENT PARTS LIST REF 931130



MANUFACTURING, INC.
CINCINNATI, OHIO

TITLE
ELEVATING CYL & VALVE ASSY PARTS
ET10K(X)


DATE
7-7-99D
SUPERCEDES
4-29-99C

SECTION
C400
17257-3

REPLACEMENT PARTS LIST

17256-3 ELEVATION CYLINDER & VALVE ASSEMBLY

MODEL: ET10K(X)

ITEM	PART NUMBER	DESCRIPTION
1	17255-3	ELEVATING CYLINDER ASSEMBLY W/OUT VALVES & PRESSURE SWITCH
2	17256-3	ELEVATING CYLINDER ASSEMBLY WITH VALVES & PRESSURE SWITCH
3	-	-
4	-	-
5	-	-
6	*	O-RING
7	*	WEAR RING
8	*	POLYURETHANE PACKING (POLYPAK TYPE "B")
9	*	ROD WIPER
10	14416 	CAP
11	14450M-085	FLOW CONTROL VALVE
12	16917	CHECK VALVE
13	16918	SOLENOID VALVE (INCLUDES COIL)
14	16919	SOLENOID COIL ONLY
15	17460-2200-11	PRESSURE SWITCH
16	-	-
17	-	-
18	-	-
19	-	-
20	-	-
21	17376-3	PACKING KIT (INCLUDES ITEMS MARKED *)
22	-	-
23	-	-
24	-	-
25	-	-
26	-	-
27	-	-
28	-	-
29	-	-
30	-	-
31	-	-
32	-	-
33	-	-
34	-	-
35	-	-



ON CURRENT PRODUCTION CRANES, CAP HAS BEEN INCORPORATED INTO RETURN HOSE



MFG., INC.
CINCINNATI, OHIO

TITLE
REPL. PARTS LIST

ET10K(X)

DATE
10-5-99D

SUPERCEDES
5-3-99C

SECTION
C400

931130