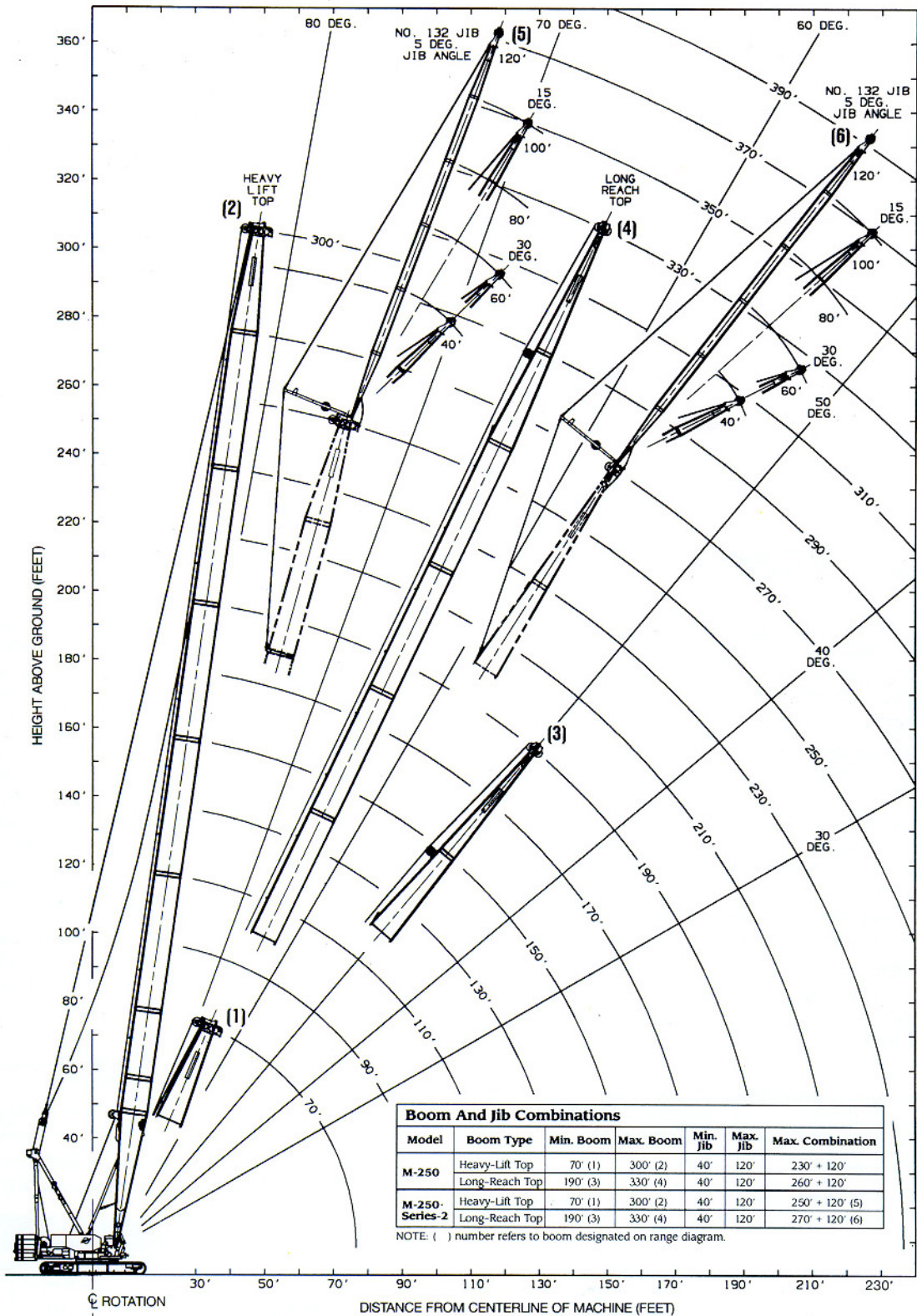


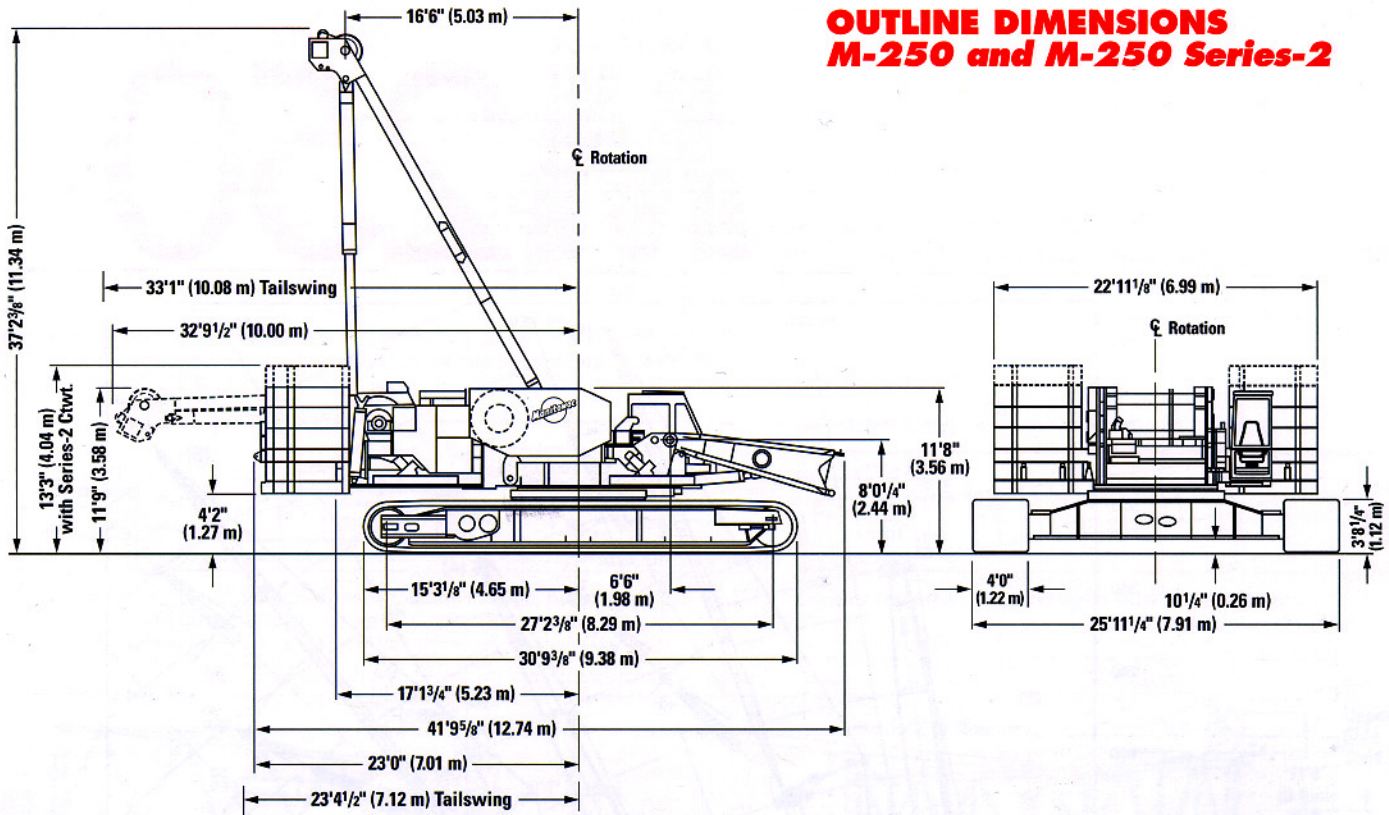
# MANITOWOC M250



**300-Ton Liftcrane ▲ 30,000-Lb. Clamshell**



## OUTLINE DIMENSIONS M-250 and M-250 Series-2



## SPECIFICATIONS

### UPPERWORKS

**ROTATING BED:** Fabricated steel rotating bed equipped with Manitowoc's patented **Fast Aligning Connection Technology (FACT™)** system for rapid attachment to rotating module on carbody. FACT system uses alignment devices, power-activated pins, and H-FACT® hydraulic quick coupler to speed crane assembly and disassembly.

**DRUMS:** Basic arrangement is a split rear drum-shaft assembly. Right drum 44 $\frac{7}{8}$ " wide and 22 $\frac{1}{2}$ " in diameter. Left drum 18 $\frac{7}{8}$ " wide and 22 $\frac{1}{2}$ " in diameter. Shaft and drums are antifriction-bearing mounted. Shaft driven by a fixed-displacement double-bank radial-piston hydraulic motor through a spur-gear reduction. Internal-expanding drum clutches are spring set, air released. External-contracting drum brakes are air applied, spring released. Parking brakes are spring set, air released. Front drums optional.

**BOOM HOIST:** Independent two-drum boom hoist is driven by variable-displacement hydraulic motor coupled to an integral brake and a planetary reduction. Grooved drums are 19 $\frac{7}{8}$ " wide by 23" diameter. Drum-rotation indicator and ratchet-and-pawl are standard.

**SWING SYSTEM:** Independent swing powered by a fixed-displacement hydraulic motor coupled to an internal brake and planetary reduction mounted in the carbody assembly. Includes gear segment type swing lock.

**OPERATOR'S STATION:** Fully enclosed and insulated steel module mounted to the left front corner of the rotating bed. Module is equipped with sliding door, large safety glass windows on all sides and in roof. Standard equipment includes electric horn, cab space heater, dome light, fire extinguisher, air-circulating fan, and windshield wipers for upper front window, lower front window, and roof window. Module can be repositioned for transportation.

**ENGINE/TRANSMISSION:** Cummins N14-C450 diesel engine rated at 450 HP at 2,100 RPM provides independent power for all operations through the multi-hydraulic-pump transmission. Power system includes engine block heater (120V), ether starting aid, transmission disconnect clutch, high-silencing muffler, alcohol injector in air line, hydraulic oil cooler, radiator, and fan.

**CONTROLS:** Electronic-over-hydraulic controls and closed-looped hydraulics provide infinitely variable speed response in proportion to control lever movement. Manitowoc's patented **Electronically Processed Independent Control (EPIC®)** system provides micro-processor-driven control logic, pump control, onboard diagnostics, and service information. Selector switch permits load-hoist drums to be operated in either free-fall or power-down mode. Rotation indicator standard for each drum. Block up-limit controls for main and auxiliary hoist lines are standard.

### LOWERWORKS

**CARBODY:** Connects rotating bed to crawlers. Fabricated steel rotating module mounts to single-piece carbody via a 9'8" diameter turntable bearing. Crawlers mount to the carbody with FACT connection system of power-actuated pins.

**CRAWLERS:** Crawler assemblies are 30'9" long, with reinforced steel frames, 48" wide cast-steel treads, and sealed "low-maintenance" intermediate rollers. Each crawler powered independently by two variable-displacement hydraulic motors and a planetary-and-spur gear reduction, that drives a chain to the crawler drive tumbler. Crawlers provide counter-rotation capability.



## PERFORMANCE DATA

Wire Rope Specifications					
Application	Dia.	Description	Breaking Strength	Weight	Max. Operating Length
Lift	1½"	1960 Grade, Rotation-Resistant	154,900 lb	2.70 lb/ft	2,050' Hoist 1,270' Whip
Boom Hoist	1"	6 x 26 EIPS, Alternate lay	103,400 lb	1.85 lb/ft	975'

Line Pull vs. Line Speed*						
Line Pull (Infinitely Variable)	Hoist Pump Only		Divert 1 Travel Pump		Divert 2 Travel Pumps	
	1st Layer	8th Layer	1st Layer	8th Layer	1st Layer	8th Layer
0 lb	112 fpm	194 fpm	228 fpm	390 fpm	340 fpm	584 fpm
5,000 lb	110 fpm	190 fpm	225 fpm	380 fpm	334 fpm	564 fpm
10,000 lb	108 fpm	184 fpm	221 fpm	370 fpm	327 fpm	545 fpm
15,000 lb	107 fpm	179 fpm	217 fpm	360 fpm	321 fpm	526 fpm
20,000 lb	105 fpm	174 fpm	214 fpm	350 fpm	314 fpm	506 fpm
25,000 lb	103 fpm	169 fpm	210 fpm	341 fpm	307 fpm	390 fpm
30,000 lb	101 fpm	163 fpm	207 fpm	331 fpm	300 fpm	285 fpm

\*Based on 2½" diameter smooth drum.

**SWING SPEED:** 2.0 RPM.

**GRADEABILITY:** 30%.

**TRAVEL SPEED:** 1.25 MPH.

**BOOM HOIST SPEED:** 300' boom, 0° to 82°— 2 minutes, 40 seconds.

### LIFTCRANE ATTACHMENT

**BASIC BOOM:** Liftcrane equipped with 70' No. 44 basic boom consisting of 40' two-piece butt and 30' heavy-lift top with nine 30" diameter sealed antifric-tion-bearing sheaves. Includes rope guides, boom-hoist wire rope, boom-angle indicator, and hook and weight ball. Boom features Manitowoc's patented FACT connection system, which uses two vertical positioners, two horizontal connection pins, and alignment pads to connect adjacent sections of boom.

Gantry with telescopic backhitch and power-activated backhitch pins.

Air-cushioned physical boom stop.

Automatic boom stop.

**UPPERWORKS COUNTERWEIGHT:** Assembly connect-ed to rear of rotating bed by remote-controlled, power-activated pins. Can be installed and removed as a unit by crane's hydraulic gantry-raising cylinders. M-250 – 12 pieces, 167,000-lb. total weight. M-250 Series-2 – 15 pieces, 207,000-lb. total weight.

**CARBODY COUNTERWEIGHT:** Only on M-250 Series-2. Two 30,000-lb. boxes connected to carbody by hooks and manually installed pins. Can be installed and removed by crane's optional self-assembly system using boom butt.

### OPTIONAL EQUIPMENT

#### BOOM AND JIB:

Boom No. 44

10' Insert with pendants

20' Insert with pendants

40' Insert with pendants

30' Tapered insert with pendants  
(used with long-reach top)

40' Long-reach top

#### Jib No. 132

40' Jib with mounting parts

20' Insert with pendants

#### ATTACHMENTS:

30-ton single-sheave load block

60-ton two-sheave load block

100-ton three-sheave load block

300-ton nine-sheave load block

Single-sheave upper boom point (whipline)

Luffing-jib attachment

Series-2 package

MAX-ER™ attachments

X-TENDER™ attachment

RINGER® attachment

Other attachments on request

Container-handling attachment

#### BASIC CRANE OPTIONS:

Full-width front drum shaft

Air conditioner in operator's cab

Special paint – machinery enamel in  
color other than Manitowoc standard

Bail limit control for hoist drums

Self-assembly system

Grooved laggings for liftcrane

Grooved laggings for clamshell

Caterpillar 3406B DITA engine

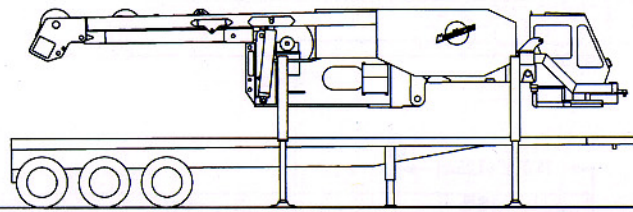
Load-moment indicator (LMI)

Elevated operator cab

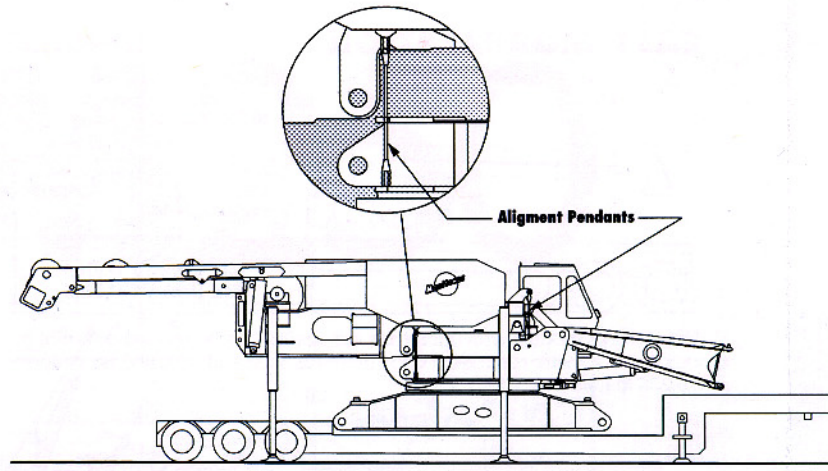
Preparation to accept luffing jib, RINGER, and MAX-ER  
attachments



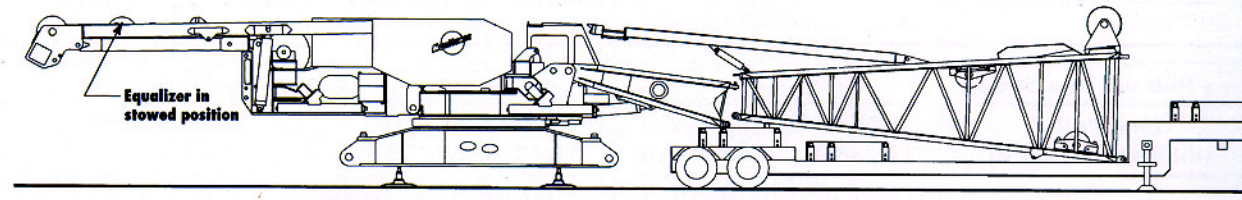
**M-250 SELF-ASSEMBLY**  
(with optional self-assembly system)



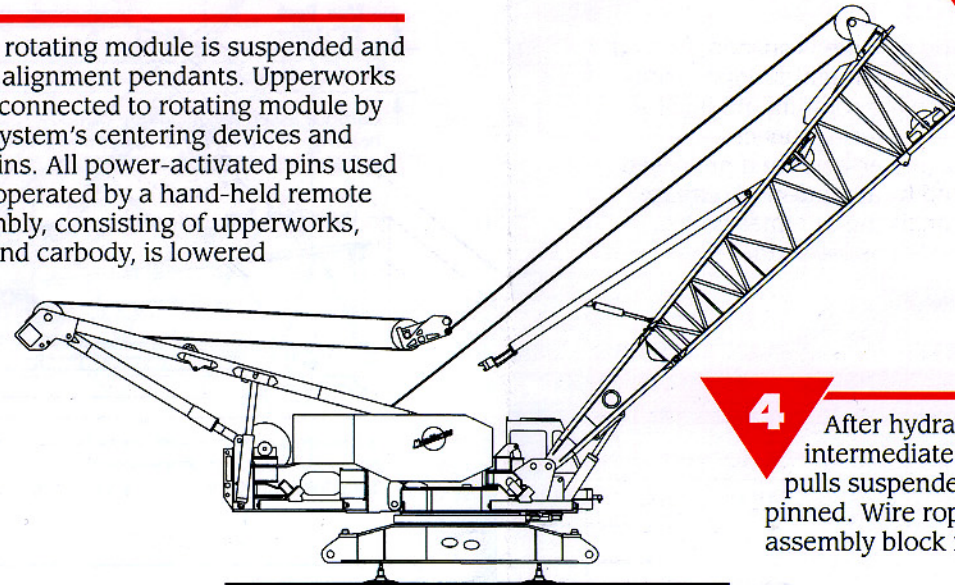
**1** Operator's cab is rotated into operating position. Assembly jacks are rotated downward and used to lift upperworks off trailer.



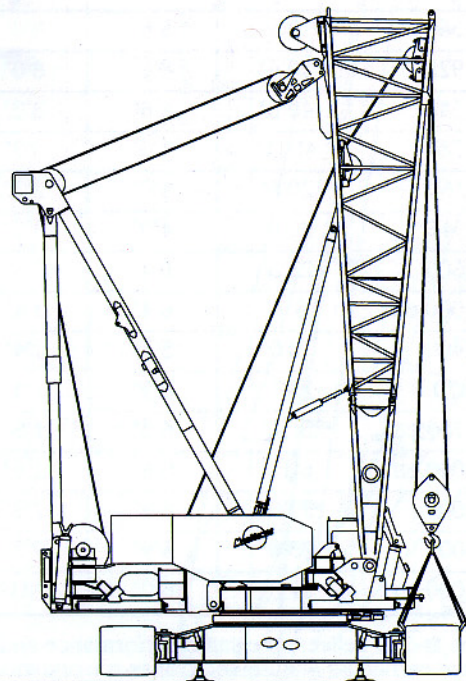
**2** Carbody with rotating module is suspended and centered using alignment pendants. Upperworks is lowered, then connected to rotating module by FACT connection system's centering devices and power-activated pins. All power-activated pins used during set-up are operated by a hand-held remote control. The assembly, consisting of upperworks, rotating module, and carbody, is lowered onto supports.



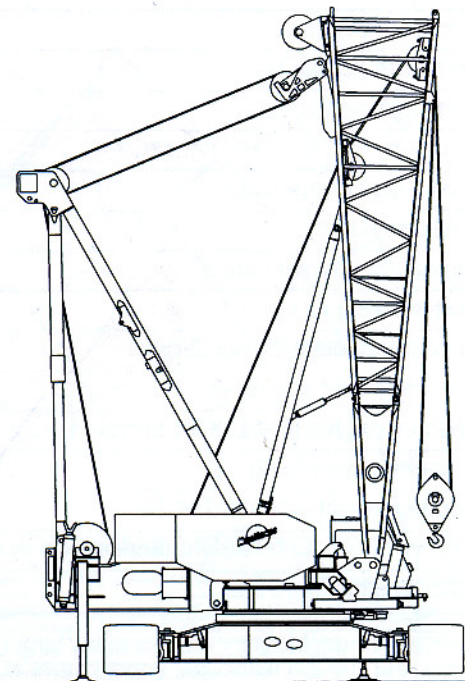
**3** Upper boom butt is attached to lower boom butt by FACT connection system's vertical positioners, horizontal pins, and alignment pads. Wire rope from rear drum is reeved through wire rope guide and attached to equalizer. Boom butt is raised by a front-mounted hydraulic cylinder.



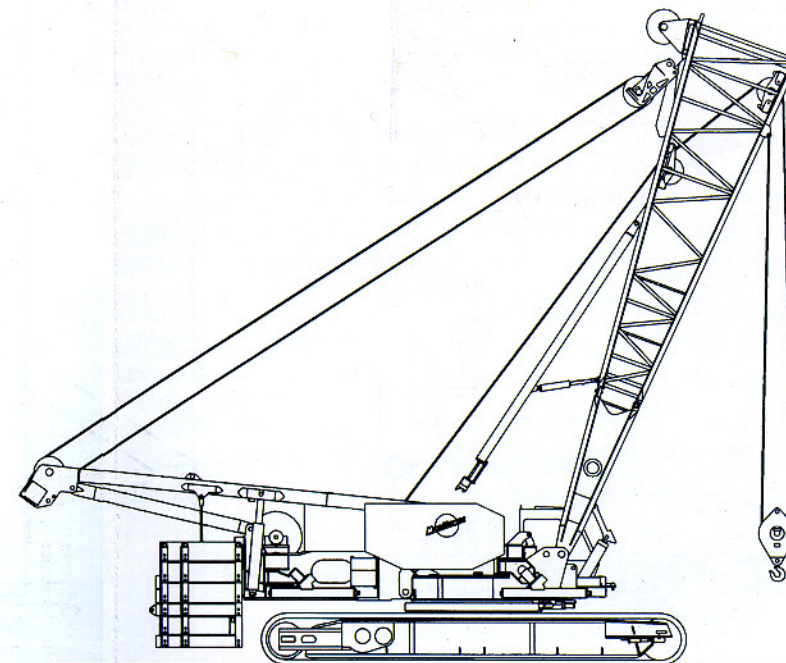
**4** After hydraulic cylinders raise gantry to intermediate position, hoist line from rear drum pulls suspended equalizer to boom butt, where it is pinned. Wire rope is removed from wire rope guide, and assembly block is reeved using boom-butt sheaves.



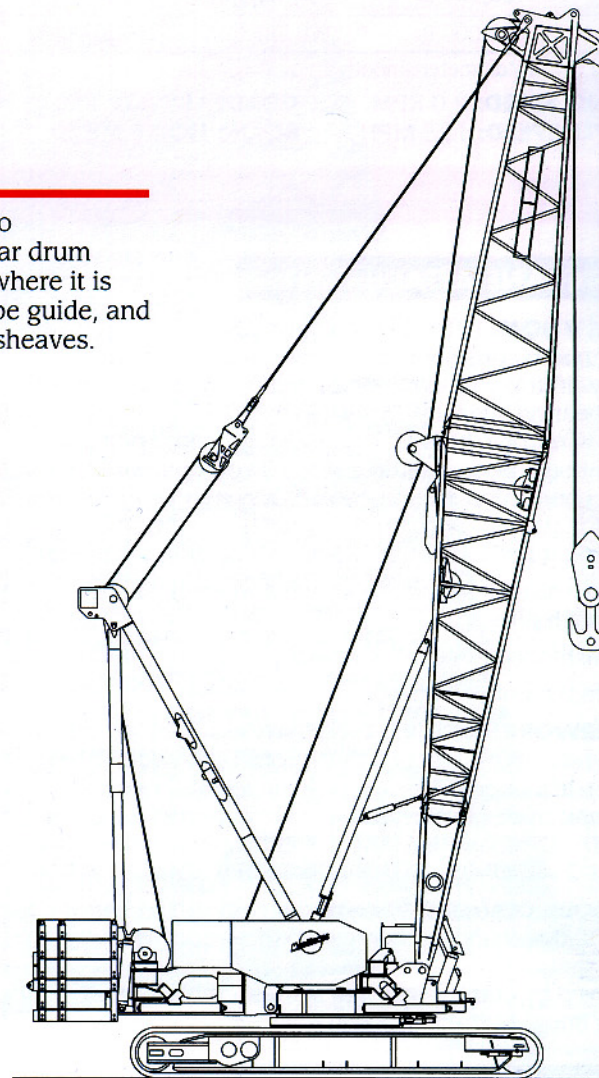
**5** Gantry is pulled into upright position with boom hoist and secured by power-activated backhitch pins. Crawlers are removed from trailer and attached to carbody by FACT connection system's vertical positioners and horizontal power-activated pins.



**6** Rear assembly jacks are rotated downward and used to raise crane. Carbody supports are removed. Counterweight is removed from trailers and assembled.



**7** Crane is positioned near counterweight. Gantry is lowered. Counterweight is pendant-connected to gantry; raised into position using counterweight-raising cylinders; and attached to upperworks by power-activated pins.

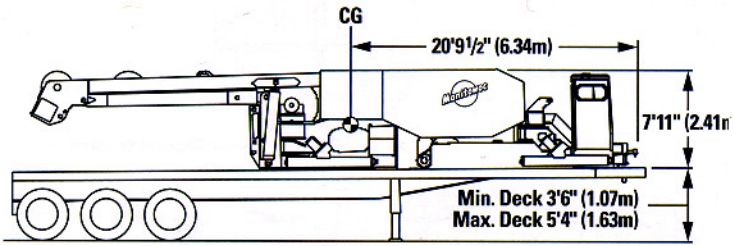


**8** Boom top and inserts are positioned and attached using FACT connection system. Boom pendants are attached to equalizer, and load line is reeved to load block. Crane is ready to operate.

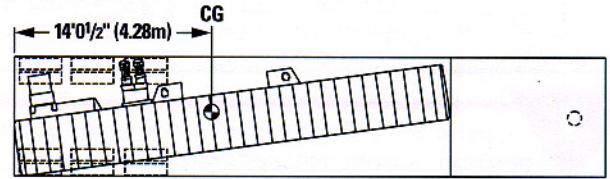
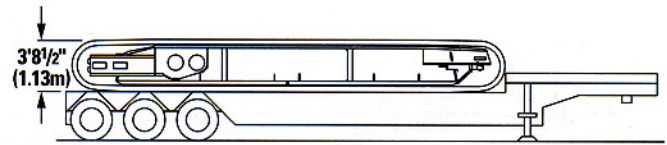


# EASY MOBILIZATION

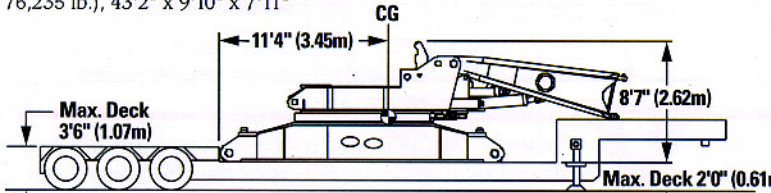
M-250



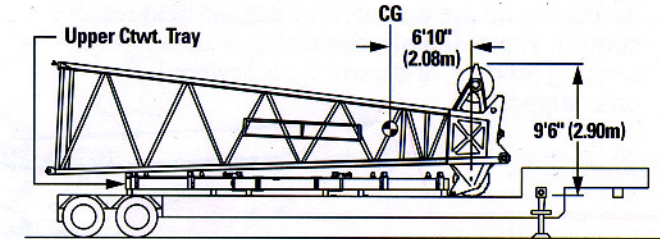
Upperworks module with operator's cab, gantry, equalizer, self-assembly jacks, and all wire rope: 84,000 lb., (without hoist and whipline wire rope: 76,235 lb.), 43'2" x 9'10" x 7'11"



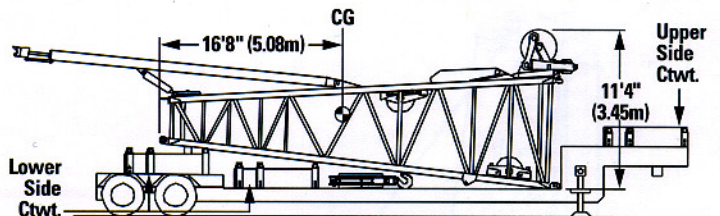
Crawler assembly: 56,545 lb. each, 30'9" x 7'3" x 3'8 1/2"



Carbody assembly, including carbody, rotating module, turntable bearing, swing drive, 12' lower boom butt, and boom-raising cylinder: 63,445 lb., 28'11" x 9'8" x 8'7"



30' boom top with lower boom point, wire rope guide, and basic pendants: 12,325 lb. upper counterweight tray: 31,170 lb. Total load 43,495 lb., 33'0" x 8'6" x 9'6"



Lower side counterweights (2): 10,000 lb. each  
Upper side counterweights: 10,750 lb.  
28' upper boom butt with wire rope guide, self-assembly rope guides, and boom stop: 11,070 lb.  
Total load: 41,295 lb., 39'2" x 8'6" x 11'4"

Component	Weight (Lb)	Length	Width	Height
10' Boom insert with pendants	2,360	10'6"	8'6"	8'0"
20' Boom insert with pendants	3,925	20'6"	8'6"	8'0"
40' Boom insert with pendants	6,545	40'6"	8'6"	8'0"
40' Basic No. 132 jib with strut and pendants	5,780	41'11"	4'0"	3'0"
20' Jib strut with sheaves and links	1,360	20'6"	4'0"	2'7"
20' Jib insert with pendants	1,045	20'6"	4'0"	3'0"
Lower counterweight tray with links	30,500	23'3"	6'4"	2'8"
Lower side counterweights (2)	10,000 ea.	5'7"	6'4"	1'4"
Lower center counterweight (Series-2 only)	18,400	10'0"	5'3"	1'4"
Upper counterweight tray with links	31,170	23'1"	6'9"	1'4"
Upper side counterweights (6 std.; 8 for Series-2)	10,750 ea.	5'11"	6'3"	1'5"
Upper center counterweights (2)	10,000 ea.	6'11"	5'6"	1'6"
Assembled counterweight (standard M-250)	167,000	23'0"	6'9"	7'8"
Assembled upperworks counterweight (Series-2)	207,000	23'0"	6'9"	9'2"
Carbody counterweights (Series-2) (2)	30,000 ea.	11'0"	6'0"	2'11"

**CAPACITY:** 300-ton maximum capacity. Outlifts many larger lattice-boom cranes and 400-ton telescopic-boom cranes at useful boom lengths and normal working radii.

**MOBILITY:** Complete M-250 Series-2 with 300' of boom and 120' of jib ships on 13 trucks.

**RELIABILITY:** The M-250 delivers the same performance and long life that have earned all Manitowoc cranes a worldwide reputation for reliability and high resale value.

**CODE COMPLIANCE:** The Manitowoc M-250 can comply with all major operating codes, including the OSHA/ANSI, DIN, Keboma, British, and French standards.



**MANITOWOC ENGINEERING CO.**  
Division of The Manitowoc Company, Inc.  
P.O. Box 70 ♦ 2401 S. 30th St. ♦ Manitowoc, WI 54221-0070  
Telephone: 414-684-6621 ♦ Telefax: 414-683-6277

Continuing product improvement may change specifications without notice.

Form Adv. 7584-1 ©1996 Manitowoc Litho in U.S.A. MEC



# Liftcrane Boom Capacities

# M-250 SERIES 3

**Boom No. 44 With Heavy Lift Top**  
**248,700 Lb. Crane Counterweight**  
**120,000 Lb. Carbody Counterweight**  
**360 Degree Rating**

**Meets  
ANSI B30.5  
Requirements**

**LIFTING CAPACITIES:** Lifting capacities for various boom lengths and operating radii are for freely suspended loads and do not exceed 75% of a static tipping load. Capacities based on structural competence are denoted by an asterisk (\*).

Upper boom point capacity for liftcrane service with single part whip line is 30,000 Lbs. or 60,000 Lbs. with two part whip line. In all cases, upper boom point capacities cannot exceed those listed for main boom capacity.

250 Ft. thru 300 Ft. boom lengths require only the middle three sheaves to be used on lower boom point. All other sheaves must be removed from lower boom point.

Weight of jib, all load blocks, hooks, weight ball, slings, hoist lines, etc. beneath boom and jib point sheaves is considered part of main boom load. Boom is not to be lowered beyond radii where combined weights are greater than rated capacity. Where no capacity is shown, operation is not intended or approved.

**OPERATING CONDITIONS:** Machine to operate in a level position on a firm uniformly supporting surface with gantry up. Refer to boom rigging **No. 172610** or **No. 179809**, Wire Rope Specification chart **No. 7581-C**, and Counterweight Arrangement chart **No. 7692-A**. Crane operator judgment must

be used to allow for dynamic load effects of swinging, hoisting or lowering, travel, wind conditions, as well as adverse operating conditions and physical machine depreciation. Refer to operators manual for operating guidelines.

**MACHINE TRAVEL:** Machine to travel on a firm, level, and uniformly supporting surface and boom within boom angle range shown in capacity chart. Refer to Maximum Allowable Travel Specification chart **No. 8031-A**.

**OPERATING RADIUS:** Operating radius is horizontal distance from axis of rotation to center of vertical hoist line or load block. Boom angle is angle between horizontal and centerline of boom butt and inserts, and is an indication of operating radius. In all cases, operating radius shall govern capacity.

**BOOM POINT ELEVATION:** Boom point elevation is vertical distance from ground level to centerline of boom point shaft.

**MACHINE EQUIPMENT:** Machine equipped with 30 Ft. 9 in. crawlers, 48 in. treads, 28 Ft. retractable gantry, 12 part boom hoist reeving, four 1½ in. boom pendants or boom support straps, 248,700 Lb. crane counterweight, two 30,000 Lb. and four 15,000 Lb. carbody counterweights.

Maximum Boom and Jib Lengths Lifted Unassisted Over Front, Side or Rear of Crawlers	
Boom Length	Jib No. 132
300 Ft.	---
290 Ft.	---
280 Ft.	---
270 Ft.	---
260 Ft.	80 Ft.
250 Ft.	120 Ft.
Load block, hook and weight ball on ground at start.	

Deduct From Capacities When Jib Is Attached	
Jib Length	Jib No. 132
40 Ft.	6,400 Lbs.
60 Ft.	8,200 Lbs.
80 Ft.	10,300 Lbs.
100 Ft.	12,800 Lbs.
120 Ft.	15,300 Lbs.

Consult jib chart for jib capacities. Upper boom point cannot be used when jib is attached.



# Liftcrane Boom Capacities

# M-250 SERIES 3

**Boom No. 44 With Heavy Lift Top  
248,700 Lb. Crane Counterweight  
120,000 Lb. Carbody Counterweight  
360 Degree Rating**

**Meets  
ANSI B30.5  
Requirements**

Oper. Rad. Feet	Boom Ang. Deg.	Boom Point Elev. Feet	Boom Capacity Pounds
<b>70 Ft. BOOM</b>			
18	82.9	77.1	600,000 *
19	82.1	76.9	580,000 *
20	81.3	76.8	560,000 *
21	80.4	76.5	550,000 *
22	79.6	76.3	541,500 *
23	78.8	76.1	527,100 *
24	77.9	75.8	506,300 *
25	77.1	75.6	487,000 *
26	76.2	75.3	469,100 *
27	75.4	75.0	452,500 *
28	74.5	74.7	436,900 *
29	73.7	74.4	422,300 *
30	72.8	74.0	408,700 *
32	71.0	73.3	383,800 *
34	69.3	72.4	361,600 *
36	67.5	71.6	340,900 *
38	65.7	70.6	315,400 *
40	63.8	69.5	293,000 *
42	61.9	68.4	273,200 *
44	60.0	67.2	255,600 *
46	58.1	65.9	239,800 *
48	56.1	64.5	225,600 *
50	54.0	62.9	212,600 *
55	48.6	58.6	185,000 *
60	42.6	53.2	160,400 *
65	35.8	46.6	133,900 *
70	27.4	37.6	110,200 *
<b>80 Ft. BOOM</b>			
20	82.4	86.9	526,400 *
21	81.7	86.7	523,600 *
22	80.9	86.5	521,000 *
23	80.2	86.3	518,500 *
24	79.5	86.1	505,700 *
25	78.7	85.9	486,400 *
26	78.0	85.6	468,500 *
27	77.3	85.4	451,900 *
28	76.5	85.1	436,300 *
29	75.8	84.8	421,800 *
30	75.0	84.5	408,100 *
32	73.5	83.9	383,200 *
34	72.0	83.2	361,100 *
36	70.5	82.4	341,300 *
38	68.9	81.6	323,400 *
40	67.3	80.7	300,700 *
42	65.8	79.8	280,400 *
44	64.2	78.7	262,500 *
46	62.5	77.6	246,300 *
48	60.9	76.5	231,700 *

Oper. Rad. Feet	Boom Ang. Deg.	Boom Point Elev. Feet	Boom Capacity Pounds
<b>80 Ft. BOOM</b>			
50	59.2	75.2	218,600 *
55	54.8	71.7	190,600 *
60	50.2	67.6	167,800 *
65	45.1	62.7	149,000 *
70	39.6	56.8	131,600 *
75	33.3	49.4	111,400 *
80	25.4	39.7	92,700 *
<b>90 Ft. BOOM</b>			
21	82.6	96.9	498,600 *
22	81.9	96.7	495,600 *
23	81.3	96.5	492,600 *
24	80.6	96.3	489,800 *
25	80.0	96.1	486,000 *
26	79.3	95.9	468,100 *
27	78.7	95.7	451,500 *
28	78.0	95.4	435,900 *
29	77.4	95.2	421,400 *
30	76.7	94.9	407,700 *
32	75.4	94.4	382,900 *
34	74.1	93.7	360,700 *
36	72.7	93.1	340,900 *
38	71.4	92.4	323,100 *
40	70.0	91.6	304,200 *
42	68.6	90.8	283,300 *
44	67.2	89.9	264,900 *
46	65.8	88.9	248,700 *
48	64.4	87.9	234,200 *
50	63.0	86.8	221,200 *
55	59.3	83.9	194,000 *
60	55.4	80.4	172,400 *
65	51.3	76.5	153,500 *
70	47.0	71.8	137,400 *
75	42.3	66.5	123,600 *
80	37.1	60.0	110,700 *
85	31.2	52.1	94,600 *
<b>100 Ft. BOOM</b>			
22	82.8	106.8	479,300 *
23	82.2	106.7	476,300 *
24	81.6	106.5	473,400 *
25	81.0	106.3	470,600 *
26	80.4	106.1	467,400 *
27	79.8	105.9	450,700 *
28	79.3	105.7	435,200 *
29	78.7	105.5	420,600 *
30	78.1	105.2	407,000 *
32	76.9	104.7	382,100 *
34	75.7	104.2	360,000 *
36	74.5	103.6	340,200 *
38	73.3	103.0	322,400 *
40	72.1	102.3	304,000 *

Oper. Rad. Feet	Boom Ang. Deg.	Boom Point Elev. Feet	Boom Capacity Pounds
<b>100 Ft. BOOM</b>			
42	70.9	101.5	283,100
44	69.7	100.8	264,700
46	68.4	99.9	248,400
48	67.2	99.0	234,000
50	65.9	98.1	221,000
55	62.7	95.5	193,700
60	59.3	92.5	172,100
65	55.9	89.2	154,400
70	52.3	85.3	139,800
75	48.5	80.9	126,700 *
80	44.4	75.9	114,700 *
85	40.0	70.0	104,100 *
90	35.1	63.1	94,000 *
95	29.5	54.7	80,900 *
<b>110 Ft. BOOM</b>			
23	82.9	116.8	374,400 *
24	82.4	116.6	371,800 *
25	81.8	116.5	369,400 *
26	81.3	116.3	367,000 *
27	80.8	116.1	364,700 *
28	80.3	115.9	362,500 *
29	79.7	115.7	360,300 *
30	79.2	115.5	358,200 *
32	78.1	115.0	354,300 *
34	77.0	114.6	350,600 *
36	76.0	114.0	339,800 *
38	74.9	113.4	321,900 *
40	73.8	112.8	303,900
42	72.7	112.2	282,900
44	71.6	111.5	264,500
46	70.5	110.7	248,300
48	69.4	109.9	233,800
50	68.2	109.1	220,800
55	65.4	106.8	193,500
60	62.4	104.2	171,800
65	59.4	101.2	154,200
70	56.3	97.9	139,500
75	53.0	94.1	127,200
80	49.6	89.9	116,600
85	46.0	85.1	106,900 *
90	42.2	79.7	97,600 *
95	38.0	73.4	89,200 *
100	33.3	66.0	80,900 *
105	28.0	57.1	70,000 *





# Liftcrane Boom Capacities

# M-250 SERIES 3

**Boom No. 44 With Heavy Lift Top**  
**248,700 Lb. Crane Counterweight**  
**120,000 Lb. Carbody Counterweight**  
**360 Degree Rating**

**Meets  
ANSI B30.5  
Requirements**

Oper. Rad. Feet	Boom Ang. Deg.	Boom Point Elev. Feet	Boom Capacity Pounds
<b>120 Ft. BOOM</b>			
24	83.0	126.8	363,700 *
25	82.5	126.6	361,400 *
26	82.0	126.4	359,200 *
27	81.6	126.3	357,000 *
28	81.1	126.1	354,900 *
29	80.6	125.9	352,900 *
30	80.1	125.7	350,900 *
32	79.1	125.3	347,200 *
34	78.1	124.8	343,800 *
36	77.2	124.4	339,000 *
38	76.2	123.8	321,200 *
40	75.2	123.3	303,600
42	74.2	122.7	282,600
44	73.2	122.0	264,200
46	72.2	121.4	247,900
48	71.2	120.6	233,400
50	70.1	119.9	220,400
55	67.6	117.8	193,100
60	64.9	115.5	171,400
65	62.2	112.8	153,800
70	59.5	109.9	139,100
75	56.6	106.6	126,700
80	53.6	102.9	116,200
85	50.6	98.8	107,000
90	47.3	94.2	99,000
95	43.9	89.1	91,000 *
100	40.2	83.3	83,600 *
105	36.2	76.6	76,800 *
110	31.8	68.8	69,700 *
115	26.7	59.3	60,500 *
<b>130 Ft. BOOM</b>			
26	82.7	136.6	350,700 *
27	82.2	136.4	348,700 *
28	81.8	136.2	346,700 *
29	81.3	136.1	344,800 *
30	80.9	135.9	343,000 *
32	80.0	135.5	339,500 *
34	79.1	135.1	336,200 *
36	78.2	134.6	333,200 *
38	77.3	134.2	316,900 *
40	76.4	133.6	298,300 *
42	75.4	133.1	281,800 *
44	74.5	132.5	264,200
46	73.6	131.9	247,900
48	72.7	131.2	233,400
50	71.7	130.5	220,400

Oper. Rad. Feet	Boom Ang. Deg.	Boom Point Elev. Feet	Boom Capacity Pounds
<b>130 Ft. BOOM</b>			
55	69.4	128.7	193,100
60	67.0	126.5	171,400
65	64.5	124.1	153,700
70	62.1	121.5	139,000
75	59.5	118.5	126,700
80	56.9	115.3	116,100
85	54.2	111.7	106,900
90	51.3	107.7	99,000
95	48.4	103.3	91,900
100	45.3	98.4	85,600 *
105	42.0	92.9	78,800 *
110	38.5	86.7	72,700 *
115	34.7	79.7	67,100 *
120	30.5	71.5	61,100 *
125	25.6	61.5	53,200 *
<b>140 Ft. BOOM</b>			
27	82.8	146.5	341,800 *
28	82.4	146.4	340,000 *
29	81.9	146.2	338,200 *
30	81.5	146.0	336,400 *
32	80.7	145.7	333,100 *
34	79.9	145.3	330,100 *
36	79.0	144.9	327,200 *
38	78.2	144.4	310,400 *
40	77.4	144.0	292,100 *
42	76.5	143.5	276,000 *
44	75.7	142.9	261,500 *
46	74.8	142.3	247,500
48	74.0	141.7	233,000
50	73.1	141.1	220,000
55	70.9	139.4	192,600
60	68.7	137.4	170,900
65	66.5	135.2	153,200
70	64.2	132.8	138,500
75	61.9	130.1	126,200
80	59.5	127.2	115,600
85	57.1	124.0	106,400
90	54.6	120.4	98,400
95	52.0	116.5	91,400
100	49.3	112.2	85,100
105	46.5	107.5	79,600
110	43.5	102.3	73,700 *
115	40.4	96.5	68,200 *
120	37.0	90.0	63,100 *
125	33.4	82.6	58,400 *
130	29.3	74.0	53,100 *

Oper. Rad. Feet	Boom Ang. Deg.	Boom Point Elev. Feet	Boom Capacity Pounds
<b>150 Ft. BOOM</b>			
28	82.9	156.5	302,400 *
29	82.5	156.3	300,500 *
30	82.1	156.2	298,600 *
32	81.3	155.8	295,000 *
34	80.6	155.5	291,500 *
36	79.8	155.1	288,300 *
38	79.0	154.7	285,200 *
40	78.2	154.2	282,300 *
42	77.4	153.8	271,500 *
44	76.6	153.3	257,200 *
46	75.8	152.7	244,200 *
48	75.1	152.2	232,500 *
50	74.3	151.6	219,600
55	72.3	150.0	192,200
60	70.2	148.2	170,500
65	68.2	146.2	152,800
70	66.1	143.9	138,100
75	63.9	141.5	125,700
80	61.8	138.8	115,100
85	59.6	135.9	106,000
90	57.3	132.6	98,000
95	55.0	129.1	91,000
100	52.6	125.3	84,700
105	50.1	121.2	79,100
110	47.5	116.6	74,100
115	44.8	111.6	69,100 *
120	42.0	106.1	64,100 *
125	38.9	100.0	59,400 *
130	35.7	93.2	55,100 *
135	32.2	85.4	51,000 *
140	28.3	76.5	46,300 *





# Liftcrane Boom Capacities

# M-250 SERIES 3

**Boom No. 44 With Heavy Lift Top  
248,700 Lb. Crane Counterweight  
120,000 Lb. Carbody Counterweight  
360 Degree Rating**

**Meets  
ANSI B30.5  
Requirements**

Oper. Rad. Feet	Boom Ang. Deg.	Boom Point Elev. Feet	Boom Capacity Pounds
<b>160 Ft. BOOM</b>			
29	83.0	166.4	292,100 *
30	82.6	166.3	290,300 *
32	81.9	166.0	287,100 *
34	81.1	165.7	284,000 *
36	80.4	165.3	281,100 *
38	79.7	164.9	278,300 *
40	79.0	164.5	275,700 *
42	78.2	164.0	267,200 *
44	77.5	163.6	253,000 *
46	76.8	163.1	240,300 *
48	76.0	162.6	228,700 *
50	75.3	162.0	218,200 *
55	73.4	160.5	191,700
60	71.5	158.8	170,000
65	69.6	157.0	152,300
70	67.7	154.9	137,600
75	65.7	152.6	125,200
80	63.7	150.2	114,600
85	61.7	147.5	105,400
90	59.6	144.5	97,400
95	57.5	141.3	90,400
100	55.3	137.9	84,100
105	53.1	134.1	78,500
110	50.7	130.1	73,500
115	48.4	125.6	69,000
120	45.9	120.8	64,600 *
125	43.3	115.6	60,000 *
130	40.5	109.8	55,700 *
135	37.6	103.4	51,700 *
140	34.5	96.2	47,900 *
145	31.1	88.2	44,400 *
150	27.3	78.8	40,100 *

Oper. Rad. Feet	Boom Ang. Deg.	Boom Point Elev. Feet	Boom Capacity Pounds
<b>170 Ft. BOOM</b>			
30	83.0	176.4	284,100 *
32	82.4	176.1	281,100 *
34	81.7	175.8	278,300 *
36	81.0	175.5	275,600 *
38	80.3	175.1	273,100 *
40	79.6	174.7	270,700 *
42	78.9	174.3	263,000 *
44	78.2	173.8	249,000 *
46	77.5	173.4	236,400 *
48	76.9	172.9	225,000 *
50	76.2	172.4	214,700 *
55	74.4	171.0	191,600
60	72.6	169.4	169,800
65	70.9	167.6	152,100
70	69.1	165.7	137,400
75	67.2	163.6	125,000
80	65.4	161.3	114,500
85	63.5	158.8	105,300
90	61.6	156.1	97,300
95	59.6	153.2	90,300
100	57.6	150.0	84,000
105	55.6	146.6	78,400
110	53.5	142.9	73,400
115	51.3	138.9	68,800
120	49.1	134.6	64,700
125	46.8	129.9	60,900
130	44.4	124.9	56,700 *
135	41.9	119.3	52,700 *
140	39.2	113.3	49,100 *
145	36.4	106.6	45,600 *
150	33.4	99.2	42,400 *
155	30.1	90.8	39,300 *
160	26.5	81.1	35,500 *

Oper. Rad. Feet	Boom Ang. Deg.	Boom Point Elev. Feet	Boom Capacity Pounds
<b>180 Ft. BOOM</b>			
32	82.8	186.2	274,600 *
34	82.1	185.9	272,100 *
36	81.5	185.6	269,700 *
38	80.9	185.3	267,400 *
40	80.2	184.9	265,200 *
42	79.6	184.5	258,200 *
44	78.9	184.1	244,600 *
46	78.3	183.6	232,200 *
48	77.6	183.2	221,000 *
50	76.9	182.7	210,700 *
55	75.3	181.4	188,900 *
60	73.6	179.9	169,300
65	72.0	178.3	151,600
70	70.3	176.5	136,900
75	68.6	174.5	124,500
80	66.8	172.3	113,900
85	65.1	170.0	104,700
90	63.3	167.5	96,700
95	61.5	164.8	89,700
100	59.6	161.8	83,400
105	57.8	158.7	77,800
110	55.8	155.3	72,800
115	53.9	151.7	68,300
120	51.8	147.7	64,100
125	49.8	143.5	60,300
130	47.6	139.0	56,900
135	45.4	134.1	52,900 *
140	43.1	128.8	49,300 *
145	40.6	123.0	45,800 *
150	38.1	116.7	42,600 *
155	35.4	109.8	39,600 *
160	32.4	102.1	36,800 *
165	29.2	93.4	34,100 *
170	25.7	83.3	30,500 *





# Liftcrane Boom Capacities

# M-250 SERIES 3

**Boom No. 44 With Heavy Lift Top**  
**248,700 Lb. Crane Counterweight**  
**120,000 Lb. Carbody Counterweight**  
**360 Degree Rating**

**Meets  
 ANSI B30.5  
 Requirements**

Oper. Rad. Feet	Boom Ang. Deg.	Boom Point Elev. Feet	Boom Capacity Pounds
<b>190 Ft. BOOM</b>			
34	82.6	196.0	241,300 *
36	81.9	195.7	238,800 *
38	81.3	195.4	236,500 *
40	80.7	195.1	234,200 *
42	80.1	194.7	232,000 *
44	79.5	194.3	229,900 *
46	78.9	193.9	227,200 *
48	78.3	193.4	218,000 *
50	77.6	193.0	207,800 *
55	76.1	191.7	186,000 *
60	74.5	190.3	168,300 *
65	72.9	188.8	151,100
70	71.4	187.1	136,400
75	69.7	185.3	124,000
80	68.1	183.2	113,400
85	66.5	181.1	104,200
90	64.8	178.7	96,200
95	63.1	176.2	89,200
100	61.4	173.4	82,900
105	59.7	170.5	77,300
110	57.9	167.4	72,300
115	56.1	164.0	67,700
120	54.2	160.4	63,600
125	52.3	156.6	59,800
130	50.3	152.4	56,400
135	48.3	148.0	53,200
140	46.2	143.2	49,500 *
145	44.1	138.1	46,100 *
150	41.8	132.6	42,900 *
155	39.5	126.6	39,900 *
160	37.0	120.0	37,100 *
165	34.4	112.8	34,500 *
170	31.5	104.8	31,900 *
175	28.4	95.8	29,500 *

Oper. Rad. Feet	Boom Ang. Deg.	Boom Point Elev. Feet	Boom Capacity Pounds
<b>200 Ft. BOOM</b>			
34	82.9	206.1	233,400 *
36	82.4	205.8	231,200 *
38	81.8	205.5	229,100 *
40	81.2	205.2	227,100 *
42	80.6	204.8	225,200 *
44	80.0	204.5	223,200 *
46	79.4	204.1	218,200 *
48	78.9	203.7	213,400 *
50	78.3	203.2	205,200 *
55	76.8	202.1	183,500 *
60	75.3	200.7	165,800 *
65	73.8	199.3	150,600
70	72.3	197.7	135,900
75	70.8	195.9	123,400
80	69.3	194.0	112,800
85	67.7	192.0	103,600
90	66.2	189.8	95,600
95	64.6	187.4	88,600
100	63.0	184.8	82,300
105	61.3	182.1	76,700
110	59.7	179.2	71,700
115	58.0	176.0	67,100
120	56.3	172.7	63,000
125	54.5	169.1	59,200
130	52.7	165.3	55,800
135	50.9	161.3	52,600
140	49.0	157.0	49,500 *
145	47.0	152.3	46,100 *
150	45.0	147.3	42,900 *
155	42.9	142.0	39,900 *
160	40.7	136.2	37,100 *
165	38.4	130.0	34,500 *
170	36.0	123.2	32,000 *
175	33.4	115.8	29,700 *
180	30.7	107.5	27,400 *
185	27.7	98.3	25,200 *

Oper. Rad. Feet	Boom Ang. Deg.	Boom Point Elev. Feet	Boom Capacity Pounds
<b>210 Ft. BOOM</b>			
36	82.7	215.9	225,300 *
38	82.2	215.6	223,500 *
40	81.6	215.3	221,700 *
42	81.1	215.0	219,300 *
44	80.5	214.6	214,300 *
46	80.0	214.3	209,400 *
48	79.4	213.9	204,700 *
50	78.8	213.5	200,100 *
55	77.4	212.3	180,800 *
60	76.0	211.1	163,300 *
65	74.6	209.7	148,700 *
70	73.2	208.2	135,600
75	71.8	206.5	123,200
80	70.3	204.7	112,600
85	68.8	202.8	103,400
90	67.4	200.7	95,400
95	65.9	198.5	88,300
100	64.4	196.1	82,000
105	62.8	193.5	76,400
110	61.3	190.8	71,400
115	59.7	187.8	66,900
120	58.1	184.7	62,700
125	56.4	181.4	59,000
130	54.8	177.9	55,500
135	53.1	174.1	52,300
140	51.3	170.1	49,400
145	49.5	165.9	46,500 *
150	47.7	161.4	43,400 *
155	45.8	156.5	40,400 *
160	43.8	151.3	37,600 *
165	41.8	145.8	35,000 *
170	39.7	139.8	32,500 *
175	37.4	133.4	30,200 *
180	35.1	126.4	27,900 *
185	32.6	118.7	25,800 *
190	29.9	110.2	23,900 *
195	27.0	100.6	22,000 *





# Liftcrane Boom Capacities

# M-250 SERIES 3

**Boom No. 44 With Heavy Lift Top  
248,700 Lb. Crane Counterweight  
120,000 Lb. Carbody Counterweight  
360 Degree Rating**

**Meets  
ANSI B30.5  
Requirements**

Oper. Rad. Feet	Boom Ang. Deg.	Boom Point Elev. Feet	Boom Capacity Pounds
<b>220 Ft. BOOM</b>			
38	82.5	225.8	217,300 *
40	82.0	225.5	214,800 *
42	81.5	225.1	209,800 *
44	80.9	224.8	205,000 *
46	80.4	224.4	200,200 *
48	79.9	224.1	195,600 *
50	79.4	223.7	191,200 *
55	78.0	222.6	177,800 *
60	76.7	221.4	160,500 *
65	75.3	220.1	146,000 *
70	74.0	218.7	133,800 *
75	72.6	217.1	122,600
80	71.2	215.4	112,000
85	69.9	213.5	102,800
90	68.5	211.6	94,800
95	67.0	209.4	87,700
100	65.6	207.2	81,500
105	64.2	204.7	75,800
110	62.7	202.2	70,800
115	61.2	199.4	66,300
120	59.7	196.5	62,100
125	58.2	193.4	58,300
130	56.6	190.1	54,900
135	55.0	186.6	51,700
140	53.4	182.9	48,800
145	51.7	179.0	46,100
150	50.1	174.8	43,200 *
155	48.3	170.4	40,200 *
160	46.5	165.6	37,400 *
165	44.7	160.6	34,800 *
170	42.8	155.2	32,300 *
175	40.8	149.5	30,000 *
180	38.7	143.3	27,800 *
185	36.5	136.6	25,700 *
190	34.2	129.4	23,700 *
195	31.8	121.5	21,800 *
200	29.2	112.7	20,000 *
205	26.3	102.9	18,300 *

Oper. Rad. Feet	Boom Ang. Deg.	Boom Point Elev. Feet	Boom Capacity Pounds
<b>230 Ft. BOOM</b>			
38	82.9	235.9	193,200 *
40	82.4	235.6	191,600 *
42	81.8	235.3	190,000 *
44	81.3	234.9	188,500 *
46	80.8	234.6	187,100 *
48	80.3	234.2	183,900 *
50	79.8	233.9	180,200 *
55	78.6	232.9	170,900 *
60	77.3	231.7	158,500 *
65	76.0	230.5	144,100 *
70	74.7	229.1	131,900 *
75	73.4	227.6	121,500 *
80	72.1	226.0	111,500
85	70.8	224.2	102,300
90	69.4	222.3	94,300
95	68.1	220.3	87,200
100	66.7	218.2	80,900
105	65.4	215.9	75,300
110	64.0	213.4	70,300
115	62.6	210.8	65,700
120	61.2	208.1	61,600
125	59.7	205.1	57,800
130	58.3	202.1	54,300
135	56.8	198.8	51,200
140	55.2	195.3	48,200
145	53.7	191.7	45,500
150	52.1	187.8	43,000
155	50.5	183.7	40,100 *
160	48.9	179.3	37,300 *
165	47.2	174.7	34,700 *
170	45.4	169.8	32,200 *
175	43.6	164.6	29,900 *
180	41.8	159.0	27,700 *
185	39.8	153.1	25,600 *
190	37.8	146.7	23,700 *
195	35.7	139.8	21,800 *
200	33.5	132.4	20,000 *
205	31.1	124.2	18,300 *
210	28.5	115.2	16,700 *
215	25.7	105.1	15,100 *

Oper. Rad. Feet	Boom Ang. Deg.	Boom Point Elev. Feet	Boom Capacity Pounds
<b>240 Ft. BOOM</b>			
40	82.7	245.7	185,800 *
42	82.2	245.4	184,400 *
44	81.7	245.1	181,900 *
46	81.2	244.7	178,400 *
48	80.7	244.4	174,900 *
50	80.3	244.0	171,300 *
55	79.0	243.1	162,500 *
60	77.8	242.0	153,900 *
65	76.6	240.8	141,600 *
70	75.4	239.5	129,500 *
75	74.1	238.0	119,100 *
80	72.9	236.5	110,200 *
85	71.6	234.8	101,700
90	70.3	233.0	93,700
95	69.1	231.1	86,600
100	67.8	229.1	80,300
105	66.5	226.9	74,700
110	65.2	224.6	69,600
115	63.8	222.1	65,100
120	62.5	219.5	60,900
125	61.1	216.7	57,200
130	59.7	213.8	53,700
135	58.3	210.7	50,500
140	56.9	207.5	47,600
145	55.5	204.0	44,900
150	54.0	200.4	42,300
155	52.5	196.6	39,800 *
160	50.9	192.5	37,000 *
165	49.4	188.2	34,400 *
170	47.8	183.7	31,900 *
175	46.1	178.9	29,600 *
180	44.4	173.9	27,400 *
185	42.6	168.5	25,300 *
190	40.8	162.7	23,400 *
195	38.9	156.6	21,500 *
200	37.0	150.0	19,700 *
205	34.9	142.9	18,000 *
210	32.7	135.3	16,400 *
215	30.4	126.9	14,800 *
220	27.9	117.7	13,300 *
225	25.1	107.3	11,900 *





# Liftcrane Boom Capacities

# M-250 SERIES 3

**Boom No. 44 With Heavy Lift Top**  
**248,700 Lb. Crane Counterweight**  
**120,000 Lb. Carbody Counterweight**  
**360 Degree Rating**

**Meets  
ANSI B30.5  
Requirements**

Oper. Rad. Feet	Boom Ang. Deg.	Boom Point Elev. Feet	Boom Capacity Pounds
<b>250 Ft. BOOM</b>			
40	83.0	255.8	179,100 *
42	82.5	255.5	177,900 *
44	82.0	255.2	174,900 *
46	81.6	254.9	171,600 *
48	81.1	254.6	168,200 *
50	80.6	254.2	164,900 *
55	79.5	253.3	156,500 *
60	78.3	252.2	148,300 *
65	77.1	251.1	140,300 *
70	76.0	249.8	129,700 *
75	74.8	248.5	119,300 *
80	73.6	247.0	110,400 *
85	72.4	245.4	102,500
90	71.2	243.7	94,400
95	69.9	241.8	87,400
100	68.7	239.9	81,100
105	67.5	237.8	75,500
110	66.2	235.6	70,400
115	64.9	233.3	65,900
120	63.7	230.8	61,700
125	62.4	228.2	58,000
130	61.1	225.4	54,500
135	59.7	222.5	51,300
140	58.4	219.4	48,400
145	57.0	216.2	45,700
150	55.6	212.7	43,100
155	54.2	209.1	40,800
160	52.8	205.4	38,600
165	51.3	201.4	36,000 *
170	49.8	197.2	33,600 *
175	48.3	192.7	31,200 *
180	46.7	188.0	29,100 *
185	45.1	183.1	27,000 *
190	43.4	177.8	25,000 *
195	41.7	172.2	23,200 *
200	40.0	166.3	21,400 *
205	38.1	160.0	19,700 *
210	36.2	153.2	18,100 *
215	34.2	146.0	16,600 *
220	32.0	138.1	15,200 *
225	29.7	129.5	13,800 *
230	27.3	120.1	12,400 *

Oper. Rad. Feet	Boom Ang. Deg.	Boom Point Elev. Feet	Boom Capacity Pounds
<b>260 Ft. BOOM</b>			
42	82.8	265.6	169,400 *
44	82.4	265.3	166,100 *
46	81.9	265.0	162,800 *
48	81.5	264.7	159,700 *
50	81.0	264.4	156,500 *
55	79.9	263.5	148,500 *
60	78.8	262.5	140,700 *
65	77.6	261.4	133,100 *
70	76.5	260.1	125,900 *
75	75.4	258.8	117,200 *
80	74.2	257.4	108,300 *
85	73.1	255.9	100,500 *
90	71.9	254.2	93,600 *
95	70.7	252.5	86,800
100	69.6	250.6	80,500
105	68.4	248.6	74,900
110	67.2	246.5	69,800
115	66.0	244.3	65,300
120	64.8	241.9	61,100
125	63.5	239.4	57,300
130	62.3	236.8	53,900
135	61.0	234.0	50,700
140	59.8	231.1	47,800
145	58.5	228.1	45,000
150	57.1	224.8	42,500
155	55.8	221.4	40,200
160	54.5	217.9	38,000
165	53.1	214.1	35,600 *
170	51.7	210.2	33,200 *
175	50.2	206.0	30,800 *
180	48.8	201.7	28,600 *
185	47.3	197.1	26,600 *
190	45.8	192.2	24,600 *
195	44.2	187.1	22,800 *
200	42.6	181.7	21,000 *
205	40.9	176.0	19,300 *
210	39.1	169.9	17,700 *
215	37.3	163.4	16,200 *
220	35.4	156.4	14,700 *
225	33.5	149.0	13,400 *
230	31.4	140.9	12,000 *
235	29.1	132.1	10,800 *
240	26.7	122.4	9,500 *

Oper. Rad. Feet	Boom Ang. Deg.	Boom Point Elev. Feet	Boom Capacity Pounds
<b>270 Ft. BOOM</b>			
44	82.6	275.4	153,900 *
46	82.2	275.1	151,800 *
48	81.8	274.8	148,900 *
50	81.3	274.5	146,100 *
55	80.3	273.6	139,000 *
60	79.2	272.7	131,900 *
65	78.1	271.6	125,000 *
70	77.0	270.4	118,300 *
75	75.9	269.2	111,900 *
80	74.8	267.8	105,800 *
85	73.7	266.4	98,600 *
90	72.6	264.8	91,700 *
95	71.5	263.1	85,600 *
100	70.4	261.3	79,900
105	69.2	259.4	74,300
110	68.1	257.4	69,300
115	66.9	255.3	64,700
120	65.8	253.0	60,500
125	64.6	250.6	56,800
130	63.4	248.1	53,300
135	62.2	245.5	50,100
140	61.0	242.7	47,200
145	59.8	239.8	44,500
150	58.5	236.7	41,900
155	57.3	233.5	39,600
160	56.0	230.1	37,400
165	54.7	226.6	35,300
170	53.4	222.9	32,800 *
175	52.0	219.0	30,500 *
180	50.6	214.9	28,300 *
185	49.2	210.6	26,200 *
190	47.8	206.1	24,300 *
195	46.3	201.3	22,400 *
200	44.8	196.3	20,700 *
205	43.3	191.1	19,000 *
210	41.7	185.5	17,400 *
215	40.1	179.6	15,900 *
220	38.4	173.3	14,400 *
225	36.6	166.6	13,000 *
230	34.8	159.5	11,700 *
235	32.8	151.9	10,400 *
240	30.8	143.6	9,200 *
245	28.6	134.6	8,100 *
250	26.2	124.7	6,400 *



# Liftcrane Boom Capacities

# M-250 SERIES 3

**Boom No. 44 With Heavy Lift Top  
 248,700 Lb. Crane Counterweight  
 120,000 Lb. Carbody Counterweight  
 360 Degree Rating**

**Meets  
 ANSI B30.5  
 Requirements**

Oper. Rad. Feet	Boom Ang. Deg.	Boom Point Elev. Feet	Boom Capacity Pounds
<b>280 Ft. BOOM</b>			
44	82.9	285.5	142,700 *
46	82.5	285.2	142,000 *
48	82.1	284.9	141,300 *
50	81.7	284.6	138,600 *
55	80.6	283.8	130,900 *
60	79.6	282.9	129,100 *
65	78.5	281.8	127,700 *
70	77.5	280.7	125,000 *
75	76.4	279.5	114,700 *
80	75.4	278.2	105,800 *
85	74.3	276.8	98,000 *
90	73.2	275.3	91,100 *
95	72.2	273.7	84,900 *
100	71.1	271.9	79,500 *
105	70.0	270.1	74,300 *
110	68.9	268.2	69,200 *
115	67.8	266.1	64,600 *
120	66.7	264.0	60,500 *
125	65.6	261.7	56,700 *
130	64.4	259.3	53,200 *
135	63.3	256.8	50,000 *
140	62.1	254.1	47,100 *
145	61.0	251.4	44,300 *
150	59.8	248.5	41,500 *
155	58.6	245.4	38,500 *
160	57.4	242.2	35,800 *
165	56.1	238.8	33,200 *
170	54.9	235.3	30,800 *
175	53.6	231.6	28,500 *
180	52.3	227.8	26,400 *
185	51.0	223.7	24,400 *
190	49.7	219.5	22,500 *
195	48.3	215.1	20,700 *
200	46.9	210.4	19,000 *
205	45.5	205.5	17,400 *
210	44.0	200.3	15,900 *
215	42.5	194.9	14,400 *
220	40.9	189.2	13,000 *
225	39.3	183.1	11,700 *
230	37.6	176.7	10,400 *
235	35.9	169.9	9,200 *
240	34.1	162.6	8,000 *
245	32.2	154.7	6,900 *
250	30.2	146.3	5,800 *
255	28.0	137.1	4,700 *

Oper. Rad. Feet	Boom Ang. Deg.	Boom Point Elev. Feet	Boom Capacity Pounds
<b>290 Ft. BOOM</b>			
46	82.7	295.3	132,000 *
48	82.3	295.0	131,400 *
50	81.9	294.7	130,800 *
55	80.9	293.9	129,600 *
60	79.9	293.0	127,400 *
65	78.9	292.1	124,000 *
70	77.9	291.0	120,000 *
75	76.9	289.8	113,300 *
80	75.9	288.6	104,400 *
85	74.9	287.2	96,700 *
90	73.8	285.7	89,800 *
95	72.8	284.2	83,800 *
100	71.8	282.5	78,300 *
105	70.7	280.8	73,400 *
110	69.7	278.9	68,900 *
115	68.6	277.0	64,400 *
120	67.5	274.9	60,300 *
125	66.5	272.7	56,500 *
130	65.4	270.4	53,000 *
135	64.3	268.0	49,800 *
140	63.2	265.5	46,900 *
145	62.0	262.8	44,100 *
150	60.9	260.0	41,300 *
155	59.8	257.1	38,300 *
160	58.6	254.1	35,600 *
165	57.4	250.9	33,000 *
170	56.3	247.5	30,600 *
175	55.1	244.0	28,300 *
180	53.8	240.4	26,200 *
185	52.6	236.6	24,200 *
190	51.3	232.6	22,300 *
195	50.0	228.4	20,500 *
200	48.7	224.0	18,800 *
205	47.4	219.4	17,200 *
210	46.0	214.6	15,700 *
215	44.6	209.6	14,200 *
220	43.2	204.3	12,800 *
225	41.7	198.7	11,500 *
230	40.2	192.8	10,200 *
235	38.6	186.6	9,000 *
240	37.0	180.0	7,800 *
245	35.3	173.0	6,700 *
250	33.5	165.5	5,600 *
255	31.6	157.5	4,600 *

Oper. Rad. Feet	Boom Ang. Deg.	Boom Point Elev. Feet	Boom Capacity Pounds
<b>300 Ft. BOOM</b>			
46	83.0	305.4	123,300 *
48	82.6	305.1	122,900 *
50	82.2	304.8	122,600 *
55	81.3	304.1	120,400 *
60	80.3	303.2	116,000 *
65	79.3	302.3	111,900 *
70	78.3	301.2	108,300 *
75	77.4	300.1	104,900 *
80	76.4	298.9	101,700 *
85	75.4	297.6	94,800 *
90	74.4	296.2	88,000 *
95	73.4	294.7	82,000 *
100	72.4	293.1	76,600 *
105	71.4	291.4	71,700 *
110	70.4	289.6	67,200 *
115	69.4	287.7	63,200 *
120	68.3	285.7	59,400 *
125	67.3	283.6	55,800 *
130	66.2	281.4	52,400 *
135	65.2	279.1	49,100 *
140	64.1	276.7	45,400 *
145	63.1	274.1	41,900 *
150	62.0	271.5	38,600 *
155	60.9	268.7	35,600 *
160	59.8	265.8	32,800 *
165	58.7	262.7	30,200 *
170	57.5	259.6	27,800 *
175	56.4	256.2	25,500 *
180	55.2	252.8	23,300 *
185	54.0	249.1	21,300 *
190	52.8	245.4	19,500 *
195	51.6	241.4	17,700 *
200	50.4	237.3	16,100 *
205	49.1	233.0	14,500 *
210	47.8	228.4	13,100 *
215	46.5	223.7	11,700 *
220	45.2	218.8	10,400 *
225	43.8	213.6	9,200 *
230	42.4	208.1	8,100 *
235	40.9	202.4	7,000 *
240	39.5	196.4	6,000 *
245	37.9	190.0	5,000 *
250	36.3	183.3	4,200 *





# Liftcrane Boom Capacities

# M-250 SERIES 3

**Boom No. 44 With Long Reach Top**  
**248,700 Lb. Crane Counterweight**  
**120,000 Lb. Carbody Counterweight**  
**360 Degree Rating**

**Meets  
ANSI B30.5  
Requirements**

**LIFTING CAPACITIES:** Lifting capacities for various boom lengths and operating radii are for freely suspended loads and do not exceed 75% of a static tipping load. Capacities based on structural competence are denoted by an asterisk (\*).

Upper boom point capacity for liftcrane service with single part whip line is 30,000 Lbs. or 60,000 Lbs. with two part whip line. In all cases, upper boom point capacities cannot exceed those listed for main boom capacity.

Weight of jib, all load blocks, hooks, weight ball, slings, hoist lines, etc. beneath boom and jib point sheaves is considered part of main boom load. Boom is not to be lowered beyond radii where combined weights are greater than rated capacity. Where no capacity is shown, operation is not intended or approved.

**OPERATING CONDITIONS:** Machine to operate in a level position on a firm uniformly supporting surface with gantry up. Refer to boom rigging **No. 172842** or **No. 192054**, Wire Rope Specification chart **No. 7581-B**, and Counterweight Arrangement chart **No. 7692-A**. Crane operator judgment must be used to allow for dynamic load effects of swinging, hoisting or lowering, travel, wind conditions, as well as adverse

operating conditions and physical machine depreciation. Refer to operators manual for operating guidelines.

**MACHINE TRAVEL:** Machine to travel on a firm, level, and uniformly supporting surface and boom within boom angle range shown in capacity chart. Refer to Maximum Allowable Travel Specification chart **No. 8032-A**.

**OPERATING RADIUS:** Operating radius is horizontal distance from axis of rotation to center of vertical hoist line or load block. Boom angle is angle between horizontal and centerline of boom butt and inserts, and is an indication of operating radius. In all cases, operating radius shall govern capacity.

**BOOM POINT ELEVATION:** Boom point elevation is vertical distance from ground level to centerline of boom point shaft.

**MACHINE EQUIPMENT:** Machine equipped with 30 Ft. 9 in. crawlers, 48 in. treads, 28 Ft. retractable gantry, 12 part boom hoist reeving, four 1½ in. boom pendants or boom support straps, 248,700 Lb. crane counterweight, two 30,000 Lb. and four 15,000 Lb. carbody counterweights.

<b>Maximum Boom and Jib Lengths Lifted Unassisted Over Front, Side or Rear of Crawlers</b>	
Boom Length	Jib No. 132
330 Ft.	---
320 Ft.	---
310 Ft.	---
300 Ft.	---
290 Ft.	---
280 Ft.	60 Ft.
270 Ft.	120 Ft.

Load block, hook and weight ball on ground at start. Upper boom point cannot be used on 330 Ft. boom.

<b>Deduct From Capacities When Jib Is Attached</b>	
Jib Length	Jib No. 132
40 Ft.	6,400 Lbs.
60 Ft.	8,200 Lbs.
80 Ft.	10,300 Lbs.
100 Ft.	12,800 Lbs.
120 Ft.	15,300 Lbs.

Consult jib chart for jib capacities. Upper boom point cannot be used when jib is attached.



# Liftcrane Boom Capacities

# M-250 SERIES 3

**Boom No. 44 With Long Reach Top**  
**248,700 Lb. Crane Counterweight**  
**120,000 Lb. Carbody Counterweight**  
**360 Degree Rating**

**Meets  
ANSI B30.5  
Requirements**

Oper. Rad. Feet	Boom Ang. Deg.	Boom Point Elev. Feet	Boom Capacity Pounds
<b>190 Ft. BOOM</b>			
32	82.7	196.3	210,000 *
34	82.1	196.0	210,000 *
36	81.5	195.7	210,000 *
38	80.8	195.4	210,000 *
40	80.2	195.0	210,000 *
42	79.6	194.7	210,000 *
44	79.0	194.3	210,000 *
46	78.4	193.9	210,000 *
48	77.8	193.4	210,000 *
50	77.2	193.0	210,000 *
55	75.6	191.7	194,900
60	74.0	190.3	173,200
65	72.5	188.8	155,500
70	70.9	187.1	140,900
75	69.3	185.2	128,500
80	67.6	183.2	118,000
85	66.0	181.0	108,900
90	64.3	178.7	100,900
95	62.6	176.1	93,900
100	60.9	173.4	87,600
105	59.2	170.5	82,100
110	57.4	167.3	77,100
115	55.6	164.0	72,600
120	53.7	160.4	68,400
125	51.8	156.5	64,700
130	49.8	152.4	61,300
135	47.8	148.0	58,100
140	45.8	143.2	55,200
145	43.6	138.1	52,500
150	41.3	132.5	49,500 *
155	39.0	126.5	46,500 *
160	36.5	120.0	43,700 *
165	33.9	112.8	41,100 *
170	31.0	104.8	38,600 *
175	27.9	95.8	36,200 *

Oper. Rad. Feet	Boom Ang. Deg.	Boom Point Elev. Feet	Boom Capacity Pounds
<b>200 Ft. BOOM</b>			
32	83.0	206.4	210,000 *
34	82.5	206.1	210,000 *
36	81.9	205.8	210,000 *
38	81.3	205.5	210,000 *
40	80.7	205.2	210,000 *
42	80.1	204.8	210,000 *
44	79.6	204.5	210,000 *
46	79.0	204.1	210,000 *
48	78.4	203.7	210,000 *
50	77.8	203.2	210,000 *
55	76.3	202.0	192,500 *
60	74.9	200.7	172,700
65	73.4	199.3	155,000
70	71.9	197.7	140,300
75	70.3	195.9	128,000
80	68.8	194.0	117,400
85	67.3	192.0	108,300
90	65.7	189.7	100,300
95	64.1	187.4	93,300
100	62.5	184.8	87,000
105	60.9	182.1	81,500
110	59.2	179.1	76,500
115	57.5	176.0	71,900
120	55.8	172.7	67,800
125	54.0	169.1	64,100
130	52.2	165.3	60,600
135	50.4	161.3	57,500
140	48.5	156.9	54,600
145	46.5	152.3	51,900
150	44.5	147.3	49,400 *
155	42.4	142.0	46,500 *
160	40.2	136.2	43,700 *
165	38.0	130.0	41,100 *
170	35.5	123.2	38,600 *
175	33.0	115.8	36,300 *
180	30.2	107.5	34,000 *
185	27.2	98.2	31,800 *

Oper. Rad. Feet	Boom Ang. Deg.	Boom Point Elev. Feet	Boom Capacity Pounds
<b>210 Ft. BOOM</b>			
34	82.8	216.2	210,000 *
36	82.3	215.9	210,000 *
38	81.7	215.6	210,000 *
40	81.2	215.3	210,000 *
42	80.6	215.0	210,000 *
44	80.1	214.6	210,000 *
46	79.5	214.3	210,000 *
48	79.0	213.9	210,000 *
50	78.4	213.5	205,700 *
55	77.0	212.3	189,700 *
60	75.6	211.1	171,900 *
65	74.2	209.7	154,700
70	72.8	208.2	140,100
75	71.3	206.5	127,700
80	69.9	204.7	117,100
85	68.4	202.8	108,000
90	66.9	200.7	100,000
95	65.4	198.4	93,000
100	63.9	196.0	86,800
105	62.4	193.5	81,200
110	60.8	190.7	76,200
115	59.2	187.8	71,700
120	57.6	184.7	67,600
125	56.0	181.4	63,800
130	54.3	177.9	60,400
135	52.6	174.1	57,200
140	50.9	170.1	54,300
145	49.1	165.9	51,600
150	47.2	161.3	49,100
155	45.4	156.5	46,800
160	43.4	151.3	44,200 *
165	41.3	145.8	41,600 *
170	39.2	139.8	39,100 *
175	37.0	133.3	36,800 *
180	34.6	126.3	34,600 *
185	32.1	118.6	32,500 *
190	29.4	110.1	30,500 *
195	26.5	100.6	28,400 *





# Liftcrane Boom Capacities

# M-250 SERIES 3

**Boom No. 44 With Long Reach Top**  
**248,700 Lb. Crane Counterweight**  
**120,000 Lb. Carbody Counterweight**  
**360 Degree Rating**

**Meets  
ANSI B30.5  
Requirements**

Oper. Rad. Feet	Boom Ang. Deg.	Boom Point Elev. Feet	Boom Capacity Pounds
<b>220 Ft. BOOM</b>			
36	82.6	226.0	210,000 *
38	82.1	225.7	210,000 *
40	81.6	225.4	210,000 *
42	81.1	225.1	210,000 *
44	80.5	224.8	208,900 *
46	80.0	224.4	207,000 *
48	79.5	224.1	204,200 *
50	78.9	223.7	199,200 *
55	77.6	222.6	186,700 *
60	76.3	221.4	169,000 *
65	74.9	220.1	154,200
70	73.6	218.6	139,500
75	72.2	217.1	127,200
80	70.8	215.4	116,600
85	69.4	213.5	107,400
90	68.0	211.5	99,500
95	66.6	209.4	92,400
100	65.2	207.2	86,200
105	63.7	204.7	80,600
110	62.3	202.1	75,600
115	60.8	199.4	71,100
120	59.3	196.5	67,000
125	57.7	193.4	63,200
130	56.2	190.1	59,800
135	54.6	186.6	56,600
140	53.0	182.9	53,700
145	51.3	178.9	51,000
150	49.6	174.8	48,500
155	47.9	170.3	46,200
160	46.1	165.6	44,000 *
165	44.2	160.6	41,400 *
170	42.3	155.2	38,900 *
175	40.3	149.5	36,600 *
180	38.3	143.3	34,500 *
185	36.1	136.6	32,400 *
190	33.8	129.4	30,400 *
195	31.4	121.4	28,500 *
200	28.8	112.7	26,700 *
205	25.9	102.9	24,700 *

Oper. Rad. Feet	Boom Ang. Deg.	Boom Point Elev. Feet	Boom Capacity Pounds
<b>230 Ft. BOOM</b>			
36	83.0	236.1	196,300 *
38	82.5	235.8	194,300 *
40	81.9	235.6	192,400 *
42	81.4	235.3	190,500 *
44	80.9	234.9	188,800 *
46	80.4	234.6	187,000 *
48	79.9	234.2	185,400 *
50	79.4	233.9	183,800 *
55	78.1	232.8	179,500 *
60	76.9	231.7	166,300 *
65	75.6	230.4	151,700 *
70	74.3	229.1	139,000
75	73.0	227.6	126,600
80	71.7	225.9	116,100
85	70.4	224.2	106,900
90	69.0	222.3	98,900
95	67.7	220.3	91,900
100	66.3	218.1	85,700
105	65.0	215.8	80,100
110	63.6	213.4	75,100
115	62.2	210.8	70,500
120	60.8	208.1	66,400
125	59.3	205.1	62,700
130	57.8	202.0	59,200
135	56.4	198.8	56,100
140	54.8	195.3	53,200
145	53.3	191.6	50,400
150	51.7	187.8	47,900
155	50.1	183.6	45,600
160	48.5	179.3	43,400
165	46.8	174.7	41,300 *
170	45.0	169.8	38,800 *
175	43.2	164.6	36,500 *
180	41.4	159.0	34,400 *
185	39.4	153.1	32,300 *
190	37.4	146.7	30,300 *
195	35.3	139.8	28,500 *
200	33.0	132.3	26,700 *
205	30.7	124.2	25,000 *
210	28.1	115.2	23,300 *
215	25.3	105.1	21,400 *

Oper. Rad. Feet	Boom Ang. Deg.	Boom Point Elev. Feet	Boom Capacity Pounds
<b>240 Ft. BOOM</b>			
38	82.8	245.9	188,100 *
40	82.3	245.7	186,300 *
42	81.8	245.4	184,600 *
44	81.3	245.1	183,000 *
46	80.8	244.7	181,400 *
48	80.4	244.4	179,900 *
50	79.9	244.0	178,000 *
55	78.6	243.1	170,700 *
60	77.4	242.0	163,600 *
65	76.2	240.8	149,200 *
70	75.0	239.5	137,000 *
75	73.7	238.0	126,100
80	72.5	236.5	115,500
85	71.2	234.8	106,300
90	69.9	233.0	98,300
95	68.7	231.1	91,300
100	67.4	229.0	85,000
105	66.1	226.9	79,500
110	64.8	224.5	74,500
115	63.4	222.1	69,900
120	62.1	219.5	65,800
125	60.7	216.7	62,000
130	59.3	213.8	58,600
135	57.9	210.7	55,400
140	56.5	207.5	52,500
145	55.1	204.0	49,800
150	53.6	200.4	47,300
155	52.1	196.5	45,000
160	50.5	192.5	42,800
165	49.0	188.2	40,700
170	47.4	183.7	38,500 *
175	45.7	178.9	36,200 *
180	44.0	173.8	34,000 *
185	42.3	168.4	32,000 *
190	40.4	162.7	30,000 *
195	38.6	156.6	28,200 *
200	36.6	150.0	26,400 *
205	34.5	142.9	24,700 *
210	32.3	135.2	23,100 *
215	30.0	126.9	21,600 *
220	27.5	117.6	20,100 *



# Liftcrane Boom Capacities

# M-250 SERIES 3

**Boom No. 44 With Long Reach Top**  
**248,700 Lb. Crane Counterweight**  
**120,000 Lb. Carbody Counterweight**  
**360 Degree Rating**

**Meets  
ANSI B30.5  
Requirements**

Oper. Rad. Feet	Boom Ang. Deg.	Boom Point Elev. Feet	Boom Capacity Pounds
<b>250 Ft. BOOM</b>			
40	82.6	255.8	178,800 *
42	82.1	255.5	177,200 *
44	81.7	255.2	175,700 *
46	81.2	254.9	174,300 *
48	80.7	254.5	172,900 *
50	80.3	254.2	170,100 *
55	79.1	253.3	163,200 *
60	77.9	252.2	156,400 *
65	76.8	251.1	147,900 *
70	75.6	249.8	135,700 *
75	74.4	248.4	125,300 *
80	73.2	247.0	115,100
85	72.0	245.4	106,000
90	70.8	243.7	98,000
95	69.6	241.8	91,000
100	68.3	239.9	84,700
105	67.1	237.8	79,100
110	65.8	235.6	74,100
115	64.6	233.2	69,600
120	63.3	230.8	65,500
125	62.0	228.1	61,700
130	60.7	225.4	58,300
135	59.4	222.5	55,100
140	58.0	219.4	52,200
145	56.7	216.1	49,500
150	55.3	212.7	47,000
155	53.9	209.1	44,600
160	52.4	205.3	42,500
165	51.0	201.3	40,400
170	49.5	197.1	38,500
175	47.9	192.7	36,300 *
180	46.3	188.0	34,200 *
185	44.7	183.0	32,100 *
190	43.1	177.8	30,200 *
195	41.4	172.2	28,300 *
200	39.6	166.3	26,600 *
205	37.7	160.0	24,900 *
210	35.8	153.2	23,300 *
215	33.8	146.0	21,800 *
220	31.6	138.1	20,300 *
225	29.4	129.5	18,900 *
230	26.9	120.0	17,500 *

Oper. Rad. Feet	Boom Ang. Deg.	Boom Point Elev. Feet	Boom Capacity Pounds
<b>260 Ft. BOOM</b>			
40	82.9	265.8	172,600 *
42	82.4	265.6	171,100 *
44	82.0	265.3	169,800 *
46	81.5	265.0	167,100 *
48	81.1	264.7	164,300 *
50	80.7	264.3	161,600 *
55	79.5	263.4	154,900 *
60	78.4	262.4	148,500 *
65	77.3	261.3	142,100 *
70	76.1	260.1	133,400 *
75	75.0	258.8	123,100 *
80	73.9	257.4	114,100 *
85	72.7	255.9	105,400
90	71.6	254.2	97,400
95	70.4	252.5	90,400
100	69.2	250.6	84,100
105	68.0	248.6	78,500
110	66.8	246.5	73,500
115	65.6	244.3	69,000
120	64.4	241.9	64,800
125	63.2	239.4	61,100
130	61.9	236.8	57,600
135	60.7	234.0	54,500
140	59.4	231.1	51,600
145	58.1	228.0	48,900
150	56.8	224.8	46,300
155	55.5	221.4	44,000
160	54.1	217.9	41,800
165	52.7	214.1	39,800
170	51.3	210.2	37,900
175	49.9	206.0	35,900 *
180	48.4	201.7	33,800 *
185	46.9	197.1	31,700 *
190	45.4	192.2	29,800 *
195	43.8	187.1	27,900 *
200	42.2	181.7	26,200 *
205	40.5	175.9	24,500 *
210	38.8	169.8	22,900 *
215	37.0	163.3	21,400 *
220	35.1	156.4	20,000 *
225	33.1	148.9	18,600 *
230	31.0	140.9	17,200 *
235	28.8	132.1	15,900 *
240	26.4	122.4	14,600 *

Oper. Rad. Feet	Boom Ang. Deg.	Boom Point Elev. Feet	Boom Capacity Pounds
<b>270 Ft. BOOM</b>			
42	82.7	275.7	154,500 *
44	82.3	275.4	153,700 *
46	81.9	275.1	152,900 *
48	81.4	274.8	151,700 *
50	81.0	274.5	150,600 *
55	79.9	273.6	144,900 *
60	78.8	272.7	139,000 *
65	77.8	271.6	133,200 *
70	76.7	270.4	127,600 *
75	75.6	269.2	121,100 *
80	74.5	267.8	112,100 *
85	73.4	266.3	104,300 *
90	72.3	264.8	96,800
95	71.1	263.1	89,800
100	70.0	261.3	83,500
105	68.9	259.4	78,000
110	67.7	257.4	72,900
115	66.6	255.2	68,400
120	65.4	253.0	64,300
125	64.2	250.6	60,500
130	63.1	248.1	57,100
135	61.9	245.5	53,900
140	60.6	242.7	51,000
145	59.4	239.8	48,300
150	58.2	236.7	45,800
155	56.9	233.5	43,400
160	55.6	230.1	41,200
165	54.3	226.6	39,200
170	53.0	222.9	37,300
175	51.7	219.0	35,500
180	50.3	214.9	33,400 *
185	48.9	210.6	31,400 *
190	47.5	206.1	29,400 *
195	46.0	201.3	27,600 *
200	44.5	196.3	25,800 *
205	43.0	191.0	24,200 *
210	41.4	185.5	22,600 *
215	39.7	179.6	21,100 *
220	38.0	173.3	19,700 *
225	36.3	166.6	18,300 *
230	34.4	159.5	16,900 *
235	32.5	151.8	15,700 *
240	30.4	143.6	14,400 *
245	28.2	134.6	13,200 *
250	25.9	124.7	12,000 *





# Liftcrane Boom Capacities

# M-250 SERIES 3

**Boom No. 44 With Long Reach Top**  
**248,700 Lb. Crane Counterweight**  
**120,000 Lb. Carbody Counterweight**  
**360 Degree Rating**

**Meets  
ANSI B30.5  
Requirements**

Oper. Rad. Feet	Boom Ang. Deg.	Boom Point Elev. Feet	Boom Capacity Pounds
<b>280 Ft. BOOM</b>			
42	83.0	285.7	143,000 *
44	82.6	285.5	142,300 *
46	82.2	285.2	141,600 *
48	81.7	284.9	140,900 *
50	81.3	284.6	140,200 *
55	80.3	283.8	137,300 *
60	79.2	282.8	131,700 *
65	78.2	281.8	126,200 *
70	77.2	280.7	120,700 *
75	76.1	279.5	115,400 *
80	75.0	278.2	110,200 *
85	74.0	276.8	103,000 *
90	72.9	275.3	96,100 *
95	71.8	273.7	89,200 *
100	70.8	271.9	82,900 *
105	69.7	270.1	77,300 *
110	68.6	268.2	72,300 *
115	67.5	266.1	67,800 *
120	66.4	264.0	63,600 *
125	65.2	261.7	59,900 *
130	64.1	259.3	56,400 *
135	62.9	256.8	53,300 *
140	61.8	254.1	50,300 *
145	60.6	251.4	47,600 *
150	59.4	248.4	45,100 *
155	58.2	245.4	42,800 *
160	57.0	242.2	40,600 *
165	55.8	238.8	38,600 *
170	54.5	235.3	36,600 *
175	53.3	231.6	34,800 *
180	52.0	227.8	33,000 *
185	50.7	223.7	31,000 *
190	49.3	219.5	29,000 *
195	47.9	215.1	27,200 *
200	46.5	210.4	25,400 *
205	45.1	205.5	23,700 *
210	43.6	200.3	22,200 *
215	42.1	194.9	20,600 *
220	40.6	189.2	19,200 *
225	39.0	183.1	17,800 *
230	37.3	176.7	16,500 *
235	35.6	169.8	15,200 *
240	33.8	162.5	14,000 *
245	31.9	154.7	12,800 *
250	29.8	146.2	11,400 *
255	27.7	137.0	9,800 *
260	25.4	126.9	8,200 *

Oper. Rad. Feet	Boom Ang. Deg.	Boom Point Elev. Feet	Boom Capacity Pounds
<b>290 Ft. BOOM</b>			
44	82.8	295.6	132,600 *
46	82.4	295.3	131,900 *
48	82.0	295.0	131,300 *
50	81.6	294.7	130,600 *
55	80.6	293.9	128,900 *
60	79.6	293.0	125,000 *
65	78.6	292.0	119,700 *
70	77.6	291.0	114,500 *
75	76.6	289.8	109,400 *
80	75.6	288.5	104,500 *
85	74.6	287.2	99,700 *
90	73.5	285.7	94,500 *
95	72.5	284.2	88,500 *
100	71.4	282.5	82,500 *
105	70.4	280.8	76,900 *
110	69.3	278.9	71,900 *
115	68.3	276.9	67,400 *
120	67.2	274.9	63,300 *
125	66.1	272.7	59,500 *
130	65.1	270.4	56,000 *
135	64.0	268.0	52,900 *
140	62.8	265.5	49,900 *
145	61.7	262.8	47,200 *
150	60.6	260.0	44,700 *
155	59.5	257.1	42,400 *
160	58.3	254.1	40,200 *
165	57.1	250.9	38,200 *
170	55.9	247.5	36,300 *
175	54.7	244.0	34,500 *
180	53.5	240.4	32,800 *
185	52.3	236.6	30,800 *
190	51.0	232.6	28,900 *
195	49.7	228.4	27,000 *
200	48.4	224.0	25,300 *
205	47.1	219.4	23,600 *
210	45.7	214.6	22,000 *
215	44.3	209.6	20,500 *
220	42.8	204.3	19,100 *
225	41.4	198.7	17,700 *
230	39.8	192.8	16,400 *
235	38.3	186.6	15,100 *
240	36.6	180.0	13,700 *
245	34.9	173.0	12,200 *
250	33.2	165.5	10,700 *
255	31.3	157.5	9,200 *
260	29.3	148.9	7,800 *
265	27.2	139.5	6,300 *

Oper. Rad. Feet	Boom Ang. Deg.	Boom Point Elev. Feet	Boom Capacity Pounds
<b>300 Ft. BOOM</b>			
46	82.7	305.4	119,900 *
48	82.3	305.1	119,200 *
50	81.9	304.8	118,500 *
55	80.9	304.1	115,700 *
60	80.0	303.2	111,300 *
65	79.0	302.2	107,400 *
70	78.0	301.2	103,800 *
75	77.0	300.1	100,400 *
80	76.1	298.9	97,400 *
85	75.1	297.6	94,500 *
90	74.1	296.2	91,100 *
95	73.1	294.7	85,100 *
100	72.1	293.1	79,700 *
105	71.1	291.4	74,900 *
110	70.1	289.6	70,500 *
115	69.0	287.7	66,500 *
120	68.0	285.7	62,800 *
125	67.0	283.6	59,100 *
130	65.9	281.4	55,600 *
135	64.9	279.1	52,500 *
140	63.8	276.7	49,500 *
145	62.8	274.1	46,800 *
150	61.7	271.5	44,300 *
155	60.6	268.7	41,900 *
160	59.5	265.8	39,500 *
165	58.4	262.7	36,900 *
170	57.2	259.5	34,500 *
175	56.1	256.2	32,200 *
180	54.9	252.7	30,000 *
185	53.7	249.1	28,000 *
190	52.5	245.3	26,100 *
195	51.3	241.4	24,300 *
200	50.1	237.3	22,600 *
205	48.8	232.9	21,000 *
210	47.5	228.4	19,400 *
215	46.2	223.7	18,000 *
220	44.9	218.8	16,600 *
225	43.5	213.6	15,300 *
230	42.1	208.1	14,000 *
235	40.6	202.4	12,800 *
240	39.1	196.4	11,600 *
245	37.6	190.0	10,500 *
250	36.0	183.2	9,400 *
255	34.3	176.1	8,300 *
260	32.6	168.4	7,300 *
265	30.7	160.3	6,300 *
270	28.8	151.4	5,400 *
275	26.7	141.8	4,400 *



# Liftcrane Boom Capacities

# M-250 SERIES 3

**Boom No. 44 With Long Reach Top**  
**248,700 Lb. Crane Counterweight**  
**120,000 Lb. Carbody Counterweight**  
**360 Degree Rating**

**Meets  
ANSI B30.5  
Requirements**

Oper. Rad. Feet	Boom Ang. Deg.	Boom Point Elev. Feet	Boom Capacity Pounds
<b>310 Ft. BOOM</b>			
46	82.9	315.5	108,000 *
48	82.5	315.2	107,500 *
50	82.2	314.9	105,900 *
55	81.2	314.2	101,600 *
60	80.3	313.4	97,800 *
65	79.4	312.4	94,300 *
70	78.4	311.4	91,200 *
75	77.5	310.3	88,300 *
80	76.5	309.2	85,600 *
85	75.6	307.9	83,100 *
90	74.6	306.5	80,800 *
95	73.7	305.1	78,600 *
100	72.7	303.6	76,500 *
105	71.7	301.9	73,200 *
110	70.7	300.2	68,800 *
115	69.8	298.4	64,900 *
120	68.8	296.5	61,200 *
125	67.8	294.5	57,900 *
130	66.8	292.3	54,800 *
135	65.8	290.1	51,800 *
140	64.7	287.8	48,900 *
145	63.7	285.3	46,200 *
150	62.7	282.8	43,700 *
155	61.6	280.1	41,300 *
160	60.6	277.3	38,800 *
165	59.5	274.4	36,200 *
170	58.4	271.4	33,700 *
175	57.3	268.2	31,500 *
180	56.2	264.9	29,300 *
185	55.1	261.5	27,300 *
190	53.9	257.9	25,400 *
195	52.8	254.1	23,600 *
200	51.6	250.2	21,900 *
205	50.4	246.1	20,300 *
210	49.2	241.9	18,700 *
215	48.0	237.4	17,300 *
220	46.7	232.8	15,900 *
225	45.4	227.9	14,500 *
230	44.1	222.8	13,300 *
235	42.8	217.5	12,000 *
240	41.4	211.9	10,900 *
245	39.9	206.0	9,800 *
250	38.5	199.9	8,700 *
255	37.0	193.3	7,600 *
260	35.4	186.4	6,600 *
265	33.7	179.1	5,700 *
270	32.0	171.3	4,700 *

Oper. Rad. Feet	Boom Ang. Deg.	Boom Point Elev. Feet	Boom Capacity Pounds
<b>320 Ft. BOOM</b>			
48	82.8	325.3	99,700 *
50	82.4	325.0	98,100 *
55	81.5	324.3	94,500 *
60	80.6	323.5	90,500 *
65	79.7	322.6	86,900 *
70	78.8	321.6	83,600 *
75	77.9	320.6	80,700 *
80	77.0	319.5	77,900 *
85	76.0	318.2	75,300 *
90	75.1	316.9	72,900 *
95	74.2	315.5	70,700 *
100	73.2	314.0	68,600 *
105	72.3	312.5	66,600 *
110	71.4	310.8	64,700 *
115	70.4	309.1	63,000 *
120	69.5	307.2	59,900 *
125	68.5	305.3	56,600 *
130	67.5	303.2	53,500 *
135	66.6	301.1	50,700 *
140	65.6	298.8	48,000 *
145	64.6	296.5	45,500 *
150	63.6	294.0	43,000 *
155	62.6	291.5	40,500 *
160	61.6	288.8	37,800 *
165	60.5	286.0	35,200 *
170	59.5	283.1	32,700 *
175	58.5	280.1	30,400 *
180	57.4	276.9	28,300 *
185	56.3	273.6	26,300 *
190	55.2	270.2	24,400 *
195	54.1	266.6	22,600 *
200	53.0	262.9	20,900 *
205	51.9	259.0	19,300 *
210	50.7	255.0	17,800 *
215	49.6	250.8	16,300 *
220	48.4	246.4	14,900 *
225	47.2	241.8	13,600 *
230	45.9	237.0	12,300 *
235	44.7	232.0	11,100 *
240	43.4	226.8	10,000 *
245	42.0	221.4	8,900 *
250	40.7	215.6	7,800 *
255	39.3	209.6	6,800 *
260	37.8	203.3	5,800 *
265	36.3	196.6	4,900 *
270	34.8	189.6	4,000 *

Oper. Rad. Feet	Boom Ang. Deg.	Boom Point Elev. Feet	Boom Capacity Pounds
<b>330 Ft. BOOM</b>			
48	83.0	335.4	92,000 *
50	82.6	335.1	90,200 *
55	81.8	334.4	86,100 *
60	80.9	333.6	82,400 *
65	80.0	332.8	79,100 *
70	79.1	331.8	76,100 *
75	78.2	330.8	73,300 *
80	77.4	329.7	70,800 *
85	76.5	328.5	68,400 *
90	75.6	327.3	66,200 *
95	74.7	325.9	64,200 *
100	73.8	324.5	62,200 *
105	72.9	323.0	60,400 *
110	71.9	321.4	58,600 *
115	71.0	319.7	57,000 *
120	70.1	317.9	55,500 *
125	69.2	316.0	54,000 *
130	68.2	314.0	52,100 *
135	67.3	312.0	50,100 *
140	66.4	309.8	48,100 *
145	65.4	307.5	45,900 *
150	64.4	305.2	43,400 *
155	63.5	302.7	41,000 *
160	62.5	300.1	38,400 *
165	61.5	297.5	35,800 *
170	60.5	294.7	33,400 *
175	59.5	291.7	31,100 *
180	58.5	288.7	28,900 *
185	57.5	285.6	26,900 *
190	56.4	282.3	25,000 *
195	55.4	278.9	23,200 *
200	54.3	275.3	21,500 *
205	53.2	271.6	19,900 *
210	52.2	267.8	18,400 *
215	51.0	263.8	16,900 *
220	49.9	259.6	15,500 *
225	48.8	255.3	14,200 *
230	47.6	250.8	13,000 *
235	46.4	246.1	11,800 *
240	45.2	241.2	10,600 *
245	43.9	236.1	9,500 *
250	42.7	230.7	8,400 *
255	41.4	225.1	7,400 *
260	40.0	219.3	6,500 *
265	38.7	213.1	5,500 *
270	37.2	206.7	4,600 *



# Liftcrane Jib Capacities

**Jib No. 132 with 20 Ft. Strut on  
 Boom No. 44 With Heavy Lift Top  
 248,700 Lb. Crane Counterweight  
 120,000 Lb. Carbody Counterweight  
 360 Degree Rating**

Meets  
ANSI B30.5  
Requirements

# M-250 SERIES 3

**LIFTING CAPACITIES:** Chart supplements boom capacity chart **No. 8000-A**. Lifting capacities for various boom lengths, jib lengths and jib operating radii are for freely suspended loads and do not exceed 75% of a static tipping load. Capacities based on structural competence are denoted by an asterisk (\*). Capacities indicated by a (b) require 4,425 Lb. minimum block weight with 4 part hoist line reeving on 40 Ft. jib and 3 part on 60 Ft. jib.

250 Ft. thru 300 Ft. boom lengths require only the middle three sheaves to be used on lower boom point. All other sheaves must be removed from lower boom point.

Weight of all load blocks, hooks, weight ball, slings, hoist lines, etc. beneath boom and jib point sheaves is considered part of jib load. Boom and jib are not to be lowered beyond radii where combined weights are greater than rated capacity. Where no capacity is shown, operation is not intended or approved.

**OPERATING CONDITIONS:** Machine to operate in a level position on a firm uniformly supporting surface with gantry up. Refer to boom rigging **No. 172610** or **No. 179809**, jib assembly **No. 170429**, **No. 173165**, **No. 172693** or **No. 192352**, Wire Rope Specification chart **No. 7581-C**, and Counterweight Arrangement chart **No. 7692-A**. Crane operator judgment must be used to allow for dynamic load effects of swinging, hoisting or lowering, travel, wind conditions, as well

as adverse operating conditions and physical machine depreciation. Refer to operators manual for operating guidelines.

**MACHINE TRAVEL:** Machine to travel on a firm, level and uniformly supporting surface and boom within boom angle range shown in capacity chart. Refer to Maximum Allowable Travel Specification chart **No. 8031-A**.

**OPERATING RADIUS:** Operating radius is horizontal distance from axis of rotation to center of vertical hoist line or load block. Boom angle is angle between horizontal and centerline of boom butt and inserts, and is an indication of operating radius. In all cases, operating radius shall govern capacity.

**JIB POINT ELEVATION:** Jib point elevation is vertical distance from ground level to centerline of jib point shaft.

**MACHINE EQUIPMENT:** Machine equipped with 30 Ft. 9 in. crawlers, 48 in. treads, 28 Ft. retractable gantry, 12 part boom hoist reeving, four 1½ in. boom pendants or boom support straps, 248,700 Lb. crane counterweight, two 30,000 Lb. and four 15,000 Lb. carbody counterweights.

Maximum capacity on 1-1/8 in. wire rope is 30,000 Lbs. per line.

<b>Maximum Boom and Jib Lengths Lifted Unassisted Over Front, Side or Rear of Crawlers</b>	
<b>Boom Length</b>	<b>Jib No. 132</b>
300 Ft.	---
290 Ft.	---
280 Ft.	---
270 Ft.	---
260 Ft.	80 Ft.
250 Ft.	120 Ft.
Load block, hook and weight ball on ground at start.	





# Liftcrane Jib Capacities

Meets  
ANSI B30.5  
Requirements

# M-250 SERIES 3

Jib No. 132 with 20 Ft. Strut on  
 Boom No. 44 With Heavy Lift Top  
 248,700 Lb. Crane Counterweight  
 120,000 Lb. Carbody Counterweight  
 360 Degree Rating

## 40 Ft. JIB

Jib Oper. Rad. Feet	5 Degree Offset			15 Degree Offset			30 Degree Offset			Jib Oper. Rad. Feet
	Boom Ang. Deg.	Jib Point Elev. Feet	Jib Capacity Pounds	Boom Ang. Deg.	Jib Point Elev. Feet	Jib Capacity Pounds	Boom Ang. Deg.	Jib Point Elev. Feet	Jib Capacity Pounds	
<b>130 Ft. BOOM</b>										
40	80.5	176.9	100,000*b							40
45	78.8	175.8	94,200*b							45
50	77.0	174.6	89,800*b	79.4	173.5	73,900*b				50
55	75.3	173.2	85,900*b	77.7	172.1	71,500*b	80.1	169.7	57,400*	55
60	73.6	171.6	82,300*b	75.9	170.6	69,300*b	78.3	168.1	55,500*	60
65	71.8	169.9	79,100*b	74.2	168.8	67,200*	76.5	166.3	53,600*	65
70	70.0	168.0	76,100*b	72.4	166.9	65,300*	74.7	164.4	51,900*	70
75	68.2	165.9	73,400*b	70.6	164.8	63,600*	72.9	162.3	50,300*	75
80	66.4	163.7	71,000*b	68.7	162.5	61,900*	71.0	160.0	48,800*	80
85	64.5	161.2	68,700*b	66.9	160.1	60,400*	69.1	157.4	47,400*	85
90	62.7	158.6	66,600*	65.0	157.4	59,000*	67.2	154.7	46,100*	90
95	60.7	155.7	64,600*	63.0	154.5	57,800*	65.2	151.7	45,000*	95
100	58.8	152.6	62,800*	61.0	151.3	56,600*	63.2	148.5	43,900*	100
105	56.8	149.2	61,100*	59.0	147.9	55,400*	61.1	145.1	42,900*	105
110	54.7	145.6	59,600*	56.9	144.3	54,400*	59.0	141.3	41,900*	110
115	52.6	141.7	58,100*	54.8	140.3	53,500*	56.8	137.3	41,100*	115
120	50.4	137.4	56,800*	52.6	136.1	52,600*	54.6	132.9	40,300*	120
125	48.2	132.9	55,500*	50.3	131.5	51,800*	52.2	128.2	39,500*	125
130	45.8	127.9	54,400*	48.0	126.5	51,100*	49.8	123.1	38,800*	130
140	40.8	116.7	52,400*	42.9	115.1	49,900*	44.6	111.3	37,700*	140
150	35.2	103.1	47,400*	37.2	101.2	48,600*				150
160	28.6	85.9	39,900*							160



# Liftcrane Jib Capacities

# M-250 SERIES 3

Meets  
ANSI B30.5  
Requirements

Jib No. 132 with 20 Ft. Strut on  
 Boom No. 44 With Heavy Lift Top  
 248,700 Lb. Crane Counterweight  
 120,000 Lb. Carbody Counterweight  
 360 Degree Rating

## 40 Ft. JIB

Jib Oper. Rad. Feet	5 Degree Offset			15 Degree Offset			30 Degree Offset			Jib Oper. Rad. Feet
	Boom Ang. Deg.	Jib Point Elev. Feet	Jib Capacity Pounds	Boom Ang. Deg.	Jib Point Elev. Feet	Jib Capacity Pounds	Boom Ang. Deg.	Jib Point Elev. Feet	Jib Capacity Pounds	
<b>140 Ft. BOOM</b>										
40	81.0	187.0	99,900*b							40
45	79.4	186.0	95,900*b							45
50	77.8	184.9	91,600*b	80.0	183.8	74,800*b				50
55	76.1	183.6	87,700*b	78.4	182.5	72,400*b	80.7	180.0	57,800*	55
60	74.5	182.1	84,200*b	76.8	181.0	70,300*b	79.0	178.5	56,200*	60
65	72.8	180.5	81,000*b	75.1	179.4	68,200*b	77.3	176.9	54,400*	65
70	71.2	178.7	78,000*b	73.4	177.6	66,400*	75.6	175.1	52,700*	70
75	69.5	176.8	75,300*b	71.7	175.7	64,700*	73.9	173.1	51,100*	75
80	67.8	174.7	72,800*b	70.0	173.5	63,000*	72.2	170.9	49,700*	80
85	66.1	172.4	70,500*b	68.2	171.2	61,500*	70.4	168.6	48,300*	85
90	64.3	169.9	68,400*b	66.5	168.7	60,200*	68.6	166.0	47,100*	90
95	62.5	167.2	66,400*	64.7	166.0	58,900*	66.8	163.3	45,900*	95
100	60.7	164.3	64,600*	62.9	163.1	57,600*	64.9	160.3	44,800*	100
105	58.8	161.2	62,900*	61.0	160.0	56,500*	63.0	157.1	43,800*	105
110	57.0	157.9	61,300*	59.1	156.6	55,500*	61.1	153.7	42,800*	110
115	55.0	154.3	59,800*	57.1	153.0	54,500*	59.1	150.0	42,000*	115
120	53.0	150.5	58,400*	55.1	149.1	53,600*	57.0	146.1	41,100*	120
125	51.0	146.3	57,100*	53.1	145.0	52,800*	54.9	141.8	40,400*	125
130	48.9	141.9	55,900*	50.9	140.5	52,000*	52.7	137.2	39,700*	130
140	44.5	131.9	53,800*	46.4	130.4	50,700*	48.1	126.8	38,400*	140
150	39.6	120.2	47,600*	41.5	118.5	48,900*	43.0	114.5	37,400*	150
160	34.2	106.1	41,700*	36.0	104.1	42,700*				160
170	27.7	88.3	35,000*							170



# Liftcrane Jib Capacities

Meets  
ANSI B30.5  
Requirements

# M-250 SERIES 3

Jib No. 132 with 20 Ft. Strut on  
Boom No. 44 With Heavy Lift Top  
248,700 Lb. Crane Counterweight  
120,000 Lb. Carbody Counterweight  
360 Degree Rating

## 40 Ft. JIB

Jib Oper. Rad. Feet	5 Degree Offset			15 Degree Offset			30 Degree Offset			Jib Oper. Rad. Feet
	Boom Ang. Deg.	Jib Point Elev. Feet	Jib Capacity Pounds	Boom Ang. Deg.	Jib Point Elev. Feet	Jib Capacity Pounds	Boom Ang. Deg.	Jib Point Elev. Feet	Jib Capacity Pounds	
<b>150 Ft. BOOM</b>										
45	79.9	196.3	97,500*b							45
50	78.4	195.2	93,300*b	80.6	194.1	75,600*b				50
55	76.9	193.9	89,400*b	79.0	192.8	73,300*b				55
60	75.3	192.6	85,900*b	77.5	191.4	71,200*b	79.6	188.9	56,900*	60
65	73.8	191.0	82,700*b	75.9	189.9	69,200*b	78.0	187.4	55,100*	65
70	72.2	189.4	79,800*b	74.3	188.2	67,400*	76.4	185.7	53,500*	70
75	70.6	187.5	77,100*b	72.7	186.4	65,700*	74.8	183.8	51,900*	75
80	69.0	185.5	74,600*b	71.1	184.4	64,100*	73.2	181.8	50,500*	80
85	67.4	183.4	72,300*b	69.5	182.2	62,600*	71.5	179.6	49,200*	85
90	65.7	181.1	70,100*b	67.8	179.9	61,200*	69.8	177.2	47,900*	90
95	64.1	178.6	68,100*b	66.1	177.4	59,900*	68.1	174.6	46,800*	95
100	62.4	175.9	66,300*	64.4	174.7	58,700*	66.4	171.9	45,700*	100
105	60.7	173.0	64,500*	62.7	171.7	57,500*	64.6	168.9	44,600*	105
110	58.9	169.9	62,900*	60.9	168.6	56,500*	62.8	165.8	43,700*	110
115	57.1	166.6	61,400*	59.1	165.3	55,500*	61.0	162.4	42,800*	115
120	55.3	163.0	60,000*	57.3	161.7	54,600*	59.1	158.7	42,000*	120
125	53.4	159.3	58,700*	55.4	157.9	53,700*	57.2	154.8	41,200*	125
130	51.5	155.2	57,400*	53.5	153.8	52,900*	55.2	150.6	40,500*	130
140	47.5	146.2	53,900*	49.4	144.7	51,500*	51.1	141.3	39,200*	140
150	43.2	135.8	47,800*	45.1	134.2	49,100	46.6	130.5	38,100*	150
160	38.5	123.6	41,900*	40.3	121.8	43,100*				160
170	33.2	108.9	36,700*	34.9	106.9	37,600*				170
180	26.9	90.6	30,600*							180





# Liftcrane Jib Capacities

Meets  
ANSI B30.5  
Requirements

# M-250 SERIES 3

Jib No. 132 with 20 Ft. Strut on  
 Boom No. 44 With Heavy Lift Top  
 248,700 Lb. Crane Counterweight  
 120,000 Lb. Carbody Counterweight  
 360 Degree Rating

## 40 Ft. JIB

Jib Oper. Rad. Feet	5 Degree Offset			15 Degree Offset			30 Degree Offset			Jib Oper. Rad. Feet
	Boom Ang. Deg.	Jib Point Elev. Feet	Jib Capacity Pounds	Boom Ang. Deg.	Jib Point Elev. Feet	Jib Capacity Pounds	Boom Ang. Deg.	Jib Point Elev. Feet	Jib Capacity Pounds	
<b>160 Ft. BOOM</b>										
45	80.4	206.4	99,000*b							45
50	79.0	205.4	94,800*b							50
55	77.5	204.2	91,000*b	79.6	203.1	74,100*b				55
60	76.1	202.9	87,600*b	78.1	201.8	72,000*b	80.2	199.3	57,400*	60
65	74.6	201.5	84,400*b	76.6	200.4	70,100*b	78.7	197.8	55,800*	65
70	73.1	199.9	81,400*b	75.1	198.8	68,300*b	77.1	196.2	54,200*	70
75	71.6	198.2	78,700*b	73.6	197.0	66,600*	75.6	194.4	52,700*	75
80	70.1	196.3	76,200*b	72.1	195.2	65,000*	74.1	192.5	51,300*	80
85	68.6	194.3	73,900*b	70.6	193.1	63,600*	72.5	190.4	50,000*	85
90	67.0	192.1	71,800*b	69.0	190.9	62,200*	70.9	188.2	48,700*	90
95	65.5	189.7	69,800*b	67.4	188.5	60,900*	69.3	185.8	47,600*	95
100	63.9	187.2	67,900*b	65.8	186.0	59,700*	67.7	183.2	46,500*	100
105	62.3	184.5	66,100*	64.2	183.3	58,500*	66.1	180.5	45,500*	105
110	60.6	181.6	64,500*	62.6	180.4	57,500*	64.4	177.5	44,500*	110
115	59.0	178.6	63,000*	60.9	177.3	56,500*	62.7	174.4	43,600*	115
120	57.3	175.3	61,500*	59.2	174.0	55,500*	60.9	171.0	42,800*	120
125	55.5	171.8	60,200*	57.4	170.4	54,600*	59.2	167.4	42,000*	125
130	53.8	168.0	58,900*	55.6	166.7	53,800*	57.3	163.6	41,300*	130
140	50.1	159.8	53,200	51.9	158.4	52,400*	53.6	155.1	39,900*	140
150	46.2	150.4	47,700*	48.0	148.8	48,500	49.5	145.3	38,800*	150
160	42.0	139.5	41,800*	43.8	137.9	43,100*	45.2	134.0	37,800*	160
170	37.4	126.9	36,700*	39.1	125.0	37,700*				170
180	32.3	111.7	32,000*	33.9	109.6	32,800*				180
190	26.2	92.8	26,500*							190



# Liftcrane Jib Capacities

Meets  
ANSI B30.5  
Requirements

# M-250 SERIES 3

Jib No. 132 with 20 Ft. Strut on  
Boom No. 44 With Heavy Lift Top  
248,700 Lb. Crane Counterweight  
120,000 Lb. Carbody Counterweight  
360 Degree Rating

## 40 Ft. JIB

Jib Oper. Rad. Feet	5 Degree Offset			15 Degree Offset			30 Degree Offset			Jib Oper. Rad. Feet
	Boom Ang. Deg.	Jib Point Elev. Feet	Jib Capacity Pounds	Boom Ang. Deg.	Jib Point Elev. Feet	Jib Capacity Pounds	Boom Ang. Deg.	Jib Point Elev. Feet	Jib Capacity Pounds	
<b>170 Ft. BOOM</b>										
45	80.9	216.6	99,900*b							45
50	79.5	215.6	96,300*b							50
55	78.1	214.5	92,500*b	80.1	213.4	74,800*b				55
60	76.8	213.3	89,100*b	78.7	212.2	72,800*b	80.7	209.6	57,700*	60
65	75.4	211.9	86,000*b	77.3	210.8	70,900*b	79.2	208.2	56,400*	65
70	73.9	210.4	83,000*b	75.9	209.3	69,100*b	77.8	206.7	54,900*	70
75	72.5	208.8	80,300*b	74.4	207.6	67,500*	76.3	205.0	53,400*	75
80	71.1	207.0	77,800*b	73.0	205.8	65,900*	74.9	203.2	52,000*	80
85	69.6	205.1	75,500*b	71.5	203.9	64,500*	73.4	201.2	50,700*	85
90	68.2	203.0	73,400*b	70.1	201.8	63,100*	71.9	199.1	49,500*	90
95	66.7	200.8	71,300*b	68.6	199.6	61,800*	70.4	196.9	48,300*	95
100	65.2	198.4	69,500*b	67.1	197.2	60,600*	68.9	194.4	47,300*	100
105	63.7	195.9	67,700*b	65.6	194.7	59,500*	67.3	191.8	46,300*	105
110	62.2	193.2	66,000*	64.0	191.9	58,400*	65.8	189.1	45,300*	110
115	60.6	190.3	64,500*	62.4	189.0	57,400*	64.2	186.1	44,400*	115
120	59.0	187.2	63,000*	60.8	185.9	56,400*	62.5	183.0	43,600*	120
125	57.4	184.0	61,600*	59.2	182.6	55,500*	60.9	179.6	42,800*	125
130	55.8	180.5	59,000	57.6	179.1	54,700*	59.2	176.1	42,000*	130
140	52.4	172.9	52,800	54.1	171.5	53,200*	55.7	168.2	40,700*	140
150	48.8	164.2	47,600	50.5	162.8	48,200	52.0	159.4	39,500*	150
160	45.0	154.4	42,200*	46.7	152.8	43,500*	48.1	149.2	38,400*	160
170	40.9	143.2	37,100*	42.6	141.5	38,200*	43.9	137.5	37,500*	170
180	36.5	130.1	32,500*	38.1	128.2	33,400*				180
190	31.5	114.4	28,300*	33.0	112.3	29,000*				190
200	25.6	95.0	23,300*							200



# Liftcrane Jib Capacities

# M-250 SERIES 3

Meets ANSI B30.5 Requirements
-------------------------------------

Jib No. 132 with 20 Ft. Strut on  
 Boom No. 44 With Heavy Lift Top  
 248,700 Lb. Crane Counterweight  
 120,000 Lb. Carbody Counterweight  
 360 Degree Rating

## 40 Ft. JIB

Jib Oper. Rad. Feet	5 Degree Offset			15 Degree Offset			30 Degree Offset			Jib Oper. Rad. Feet
	Boom Ang. Deg.	Jib Point Elev. Feet	Jib Capacity Pounds	Boom Ang. Deg.	Jib Point Elev. Feet	Jib Capacity Pounds	Boom Ang. Deg.	Jib Point Elev. Feet	Jib Capacity Pounds	
<b>180 Ft. BOOM</b>										
50	80.0	225.8	97,700*b							50
55	78.7	224.8	94,000*b	80.5	223.6	75,500*b				55
60	77.4	223.6	90,600*b	79.2	222.5	73,600*b				60
65	76.0	222.3	87,500*b	77.9	221.2	71,700*b	79.7	218.6	57,000*	65
70	74.7	220.9	84,600*b	76.5	219.7	70,000*b	78.4	217.1	55,500*	70
75	73.3	219.3	81,900*b	75.2	218.2	68,300*b	77.0	215.5	54,000*	75
80	72.0	217.6	79,400*b	73.8	216.5	66,800*	75.6	213.8	52,700*	80
85	70.6	215.8	77,100*b	72.4	214.6	65,300*	74.2	211.9	51,400*	85
90	69.2	213.8	74,900*b	71.0	212.7	64,000*	72.8	209.9	50,200*	90
95	67.8	211.7	72,900*b	69.6	210.5	62,700*	71.4	207.8	49,100*	95
100	66.4	209.5	71,000*b	68.2	208.3	61,500*	69.9	205.5	48,000*	100
105	65.0	207.1	69,200*b	66.8	205.9	60,400*	68.5	203.1	47,000*	105
110	63.5	204.6	67,500*b	65.3	203.3	59,300*	67.0	200.5	46,000*	110
115	62.1	201.8	65,900*	63.8	200.6	58,300*	65.5	197.7	45,100*	115
120	60.6	199.0	64,500*	62.3	197.7	57,300*	64.0	194.7	44,300*	120
125	59.1	195.9	61,800	60.8	194.6	56,400*	62.4	191.6	43,500*	125
130	57.5	192.6	58,300	59.3	191.3	55,600*	60.9	188.3	42,700*	130
140	54.4	185.5	52,200	56.1	184.2	52,900	57.6	181.0	41,400*	140
150	51.1	177.6	46,900	52.7	176.1	47,600	54.2	172.8	40,100*	150
160	47.6	168.6	41,900*	49.2	167.0	42,900	50.6	163.5	39,100*	160
170	43.9	158.4	36,800*	45.5	156.7	38,000*	46.8	153.0	38,100*	170
180	39.9	146.7	32,300*	41.5	144.9	33,300*				180
190	35.6	133.2	28,100*	37.1	131.2	29,000*				190
200	30.7	117.1	24,400*	32.1	114.8	25,000*				200





# Liftcrane Jib Capacities

Meets  
ANSI B30.5  
Requirements

# M-250 SERIES 3

Jib No. 132 with 20 Ft. Strut on  
Boom No. 44 With Heavy Lift Top  
248,700 Lb. Crane Counterweight  
120,000 Lb. Carbody Counterweight  
360 Degree Rating

## 40 Ft. JIB

Jib Oper. Rad. Feet	5 Degree Offset			15 Degree Offset			30 Degree Offset			Jib Oper. Rad. Feet
	Boom Ang. Deg.	Jib Point Elev. Feet	Jib Capacity Pounds	Boom Ang. Deg.	Jib Point Elev. Feet	Jib Capacity Pounds	Boom Ang. Deg.	Jib Point Elev. Feet	Jib Capacity Pounds	
<b>190 Ft. BOOM</b>										
50	80.4	236.0	99,000*b							50
55	79.2	235.0	95,300*b	81.0	233.9	76,200*b				55
60	77.9	233.9	92,000*b	79.7	232.7	74,200*b				60
65	76.6	232.6	88,900*b	78.4	231.5	72,400*b	80.2	228.9	57,400*	65
70	75.4	231.3	86,000*b	77.1	230.1	70,700*b	78.9	227.5	56,100*	70
75	74.1	229.8	83,300*b	75.8	228.6	69,100*b	77.6	226.0	54,600*	75
80	72.8	228.2	80,800*b	74.5	227.0	67,600*	76.3	224.3	53,300*	80
85	71.5	226.5	78,500*b	73.2	225.3	66,200*	74.9	222.6	52,000*	85
90	70.2	224.6	76,400*b	71.9	223.4	64,800*	73.6	220.7	50,900*	90
95	68.8	222.6	74,300*b	70.6	221.4	63,500*	72.2	218.7	49,700*	95
100	67.5	220.5	72,400*b	69.2	219.3	62,400*	70.9	216.5	48,700*	100
105	66.1	218.2	70,600*b	67.8	217.0	61,200*	69.5	214.2	47,700*	105
110	64.8	215.8	68,900*b	66.5	214.5	60,100*	68.1	211.7	46,700*	110
115	63.4	213.2	67,400*b	65.1	212.0	59,100*	66.7	209.1	45,900*	115
120	62.0	210.5	65,000	63.7	209.2	58,200*	65.2	206.3	45,000*	120
125	60.5	207.6	61,200	62.2	206.3	57,300*	63.8	203.4	44,200*	125
130	59.1	204.6	57,700	60.8	203.2	56,400*	62.3	200.2	43,500*	130
140	56.1	197.9	51,500	57.8	196.5	52,400	59.3	193.4	42,100*	140
150	53.1	190.5	46,300	54.7	189.0	47,000	56.1	185.8	40,800*	150
160	49.8	182.1	41,700	51.4	180.6	42,300	52.8	177.2	39,700*	160
170	46.5	172.8	36,600*	48.0	171.2	37,900*	49.3	167.6	38,700*	170
180	42.9	162.2	32,100*	44.4	160.5	33,100*	45.6	156.7	34,200*	180
190	39.0	150.2	28,000*	40.5	148.3	28,900*				190
200	34.8	136.2	24,300*	36.2	134.2	25,000*				200
210	30.0	119.7	20,900*	31.3	117.3	21,500*				210



# Liftcrane Jib Capacities

# M-250 SERIES 3

Meets  
ANSI B30.5  
Requirements

Jib No. 132 with 20 Ft. Strut on  
 Boom No. 44 With Heavy Lift Top  
 248,700 Lb. Crane Counterweight  
 120,000 Lb. Carbody Counterweight  
 360 Degree Rating

## 40 Ft. JIB

Jib Oper. Rad. Feet	5 Degree Offset			15 Degree Offset			30 Degree Offset			Jib Oper. Rad. Feet
	Boom Ang. Deg.	Jib Point Elev. Feet	Jib Capacity Pounds	Boom Ang. Deg.	Jib Point Elev. Feet	Jib Capacity Pounds	Boom Ang. Deg.	Jib Point Elev. Feet	Jib Capacity Pounds	
<b>200 Ft. BOOM</b>										
50	80.8	246.2	99,900*b							50
55	79.6	245.2	96,600*b							55
60	78.4	244.2	93,300*b	80.1	243.0	74,900*b				60
65	77.2	243.0	90,200*b	78.9	241.8	73,100*b	80.6	239.2	57,700*	65
70	76.0	241.7	87,400*b	77.7	240.5	71,400*b	79.4	237.8	56,600*	70
75	74.8	240.2	84,700*b	76.4	239.1	69,800*b	78.1	236.4	55,200*	75
80	73.5	238.7	82,200*b	75.2	237.5	68,300*b	76.9	234.8	53,900*	80
85	72.3	237.1	79,900*b	73.9	235.9	66,900*	75.6	233.2	52,700*	85
90	71.0	235.3	77,800*b	72.7	234.1	65,600*	74.3	231.4	51,500*	90
95	69.8	233.4	75,700*b	71.4	232.2	64,400*	73.0	229.4	50,400*	95
100	68.5	231.4	73,800*b	70.1	230.1	63,200*	71.7	227.4	49,300*	100
105	67.2	229.2	72,000*b	68.8	228.0	62,000*	70.4	225.2	48,300*	105
110	65.9	226.9	70,300*b	67.5	225.6	61,000*	69.1	222.8	47,400*	110
115	64.6	224.5	68,500*b	66.2	223.2	59,900*	67.8	220.3	46,500*	115
120	63.2	221.9	64,300	64.9	220.6	59,000*	66.4	217.7	45,700*	120
125	61.9	219.2	60,500	63.5	217.9	58,100*	65.0	214.9	44,900*	125
130	60.5	216.3	57,000	62.1	215.0	57,200*	63.6	212.0	44,100*	130
140	57.7	210.0	50,900	59.3	208.7	51,700	60.8	205.6	42,700*	140
150	54.8	203.0	45,600	56.4	201.6	46,400	57.8	198.4	41,500*	150
160	51.8	195.3	41,000	53.4	193.8	41,700	54.8	190.5	40,300*	160
170	48.7	186.6	36,200*	50.2	185.1	37,600*	51.5	181.6	38,200	170
180	45.4	176.9	31,700*	46.9	175.3	32,800*	48.1	171.6	34,000*	180
190	41.9	166.0	27,600*	43.4	164.2	28,600*	44.5	160.3	29,600*	190
200	38.1	153.6	23,900*	39.5	151.7	24,800*				200
210	34.0	139.2	20,600*	35.3	137.1	21,300*				210
220	29.3	122.2	17,500*							220



# Liftcrane Jib Capacities

Meets  
ANSI B30.5  
Requirements

# M-250 SERIES 3

Jib No. 132 with 20 Ft. Strut on  
Boom No. 44 With Heavy Lift Top  
248,700 Lb. Crane Counterweight  
120,000 Lb. Carbody Counterweight  
360 Degree Rating

## 40 Ft. JIB

Jib Oper. Rad. Feet	5 Degree Offset			15 Degree Offset			30 Degree Offset			Jib Oper. Rad. Feet
	Boom Ang. Deg.	Jib Point Elev. Feet	Jib Capacity Pounds	Boom Ang. Deg.	Jib Point Elev. Feet	Jib Capacity Pounds	Boom Ang. Deg.	Jib Point Elev. Feet	Jib Capacity Pounds	
<b>210 Ft. BOOM</b>										
55	80.1	255.4	90,000*b							55
60	78.9	254.4	90,000*b	80.5	253.2	75,500*b				60
65	77.7	253.3	90,000*b	79.4	252.1	73,700*b				65
70	76.6	252.0	88,700*b	78.2	250.8	72,100*b	79.8	248.2	57,100*	70
75	75.4	250.6	86,000*b	77.0	249.5	70,500*b	78.6	246.8	55,700*	75
80	74.2	249.2	83,600*b	75.8	248.0	69,100*b	77.4	245.3	54,500*	80
85	73.0	247.6	81,300*b	74.6	246.4	67,700*	76.2	243.7	53,200*	85
90	71.8	245.9	79,100*b	73.4	244.7	66,400*	75.0	242.0	52,100*	90
95	70.6	244.1	77,100*b	72.2	242.9	65,100*	73.8	240.1	51,000*	95
100	69.4	242.2	75,200*b	71.0	240.9	63,900*	72.5	238.1	50,000*	100
105	68.1	240.1	73,400*b	69.7	238.9	62,800*	71.3	236.1	49,000*	105
110	66.9	237.9	71,700*b	68.5	236.7	61,700*	70.0	233.8	48,100*	110
115	65.7	235.6	68,100b	67.2	234.3	60,700*	68.7	231.5	47,200*	115
120	64.4	233.1	63,900b	66.0	231.9	59,800*	67.4	229.0	46,300*	120
125	63.1	230.6	60,100	64.7	229.3	58,900*	66.1	226.3	45,500*	125
130	61.8	227.8	56,600	63.4	226.5	57,700	64.8	223.5	44,800*	130
140	59.2	221.9	50,500	60.7	220.5	51,400	62.1	217.5	43,400*	140
150	56.5	215.3	45,200	58.0	213.9	46,000	59.3	210.8	42,100*	150
160	53.6	208.0	40,600	55.1	206.6	41,400	56.5	203.3	40,900*	160
170	50.7	199.9	36,300*	52.2	198.4	37,300	53.5	195.0	37,800	170
180	47.7	190.9	31,700*	49.1	189.4	32,900*	50.3	185.8	34,200	180
190	44.4	180.9	27,700*	45.9	179.2	28,700*	47.0	175.4	29,700*	190
200	41.0	169.6	24,000*	42.4	167.9	24,900*	43.5	163.8	25,800*	200
210	37.3	156.9	20,700*	38.7	154.9	21,400*				210
220	33.3	142.1	17,600*	34.6	140.0	18,300*				220
230	28.7	124.7	14,800*							230



# Liftcrane Jib Capacities

# M-250 SERIES 3

Meets  
ANSI B30.5  
Requirements

Jib No. 132 with 20 Ft. Strut on  
 Boom No. 44 With Heavy Lift Top  
 248,700 Lb. Crane Counterweight  
 120,000 Lb. Carbody Counterweight  
 360 Degree Rating

## 40 Ft. JIB

Jib Oper. Rad. Feet	5 Degree Offset			15 Degree Offset			30 Degree Offset			Jib Oper. Rad. Feet
	Boom Ang. Deg.	Jib Point Elev. Feet	Jib Capacity Pounds	Boom Ang. Deg.	Jib Point Elev. Feet	Jib Capacity Pounds	Boom Ang. Deg.	Jib Point Elev. Feet	Jib Capacity Pounds	
<b>220 Ft. BOOM</b>										
55	80.4	265.6	90,000*b							55
60	79.3	264.6	90,000*b	80.9	263.4	76,100*b				60
65	78.2	263.5	90,000*b	79.8	262.3	74,300*b				65
70	77.1	262.3	89,900*b	78.6	261.1	72,700*b	80.2	258.5	57,400*	70
75	76.0	261.0	87,300*b	77.5	259.8	71,200*b	79.1	257.1	56,200*	75
80	74.8	259.6	84,900*b	76.4	258.4	69,800*b	77.9	255.7	55,000*	80
85	73.7	258.1	82,600*b	75.2	256.9	68,400*b	76.8	254.2	53,800*	85
90	72.5	256.5	80,400*b	74.1	255.3	67,100*	75.6	252.5	52,600*	90
95	71.4	254.7	78,400*b	72.9	253.5	65,800*	74.4	250.8	51,600*	95
100	70.2	252.9	76,500*b	71.7	251.7	64,700*	73.2	248.9	50,600*	100
105	69.0	250.9	74,700*b	70.6	249.7	63,600*	72.0	246.9	49,600*	105
110	67.8	248.8	72,000b	69.4	247.6	62,500*	70.8	244.7	48,700*	110
115	66.6	246.6	67,400b	68.2	245.4	61,500*	69.6	242.5	47,800*	115
120	65.4	244.3	63,300b	66.9	243.0	60,500*	68.4	240.1	47,000*	120
125	64.2	241.8	59,500b	65.7	240.5	59,600*	67.2	237.6	46,200*	125
130	63.0	239.2	56,000	64.5	237.9	57,000	65.9	235.0	45,400*	130
140	60.5	233.6	49,800	62.0	232.3	50,800	63.3	229.2	44,000*	140
150	57.9	227.4	44,500	59.4	226.0	45,400	60.7	222.9	42,700*	150
160	55.3	220.5	40,000	56.7	219.1	40,700	58.0	215.8	41,400	160
170	52.5	212.9	35,800*	53.9	211.4	36,600	55.2	208.1	37,300	170
180	49.7	204.5	31,300*	51.1	203.0	32,600*	52.3	199.5	33,600	180
190	46.7	195.2	27,200*	48.1	193.6	28,300*	49.2	189.9	29,400*	190
200	43.5	184.8	23,600*	44.9	183.1	24,500*	46.0	179.2	25,400*	200
210	40.2	173.2	20,200*	41.5	171.4	21,100*				210
220	36.6	160.1	17,200*	37.8	158.1	17,900*				220
230	32.6	145.0	14,400*	33.8	142.8	15,000*				230
240	28.1	127.1	11,800*							240





# Liftcrane Jib Capacities

Meets  
ANSI B30.5  
Requirements

# M-250 SERIES 3

Jib No. 132 with 20 Ft. Strut on  
Boom No. 44 With Heavy Lift Top  
248,700 Lb. Crane Counterweight  
120,000 Lb. Carbody Counterweight  
360 Degree Rating

## 40 Ft. JIB

Jib Oper. Rad. Feet	5 Degree Offset			15 Degree Offset			30 Degree Offset			Jib Oper. Rad. Feet
	Boom Ang. Deg.	Jib Point Elev. Feet	Jib Capacity Pounds	Boom Ang. Deg.	Jib Point Elev. Feet	Jib Capacity Pounds	Boom Ang. Deg.	Jib Point Elev. Feet	Jib Capacity Pounds	
<b>230 Ft. BOOM</b>										
55	80.8	275.8	90,000*b							55
60	79.7	274.8	90,000*b							60
65	78.6	273.8	90,000*b	80.2	272.6	74,900*b				65
70	77.6	272.6	90,000*b	79.1	271.4	73,300*b	80.6	268.7	57,700*	70
75	76.5	271.4	88,500*b	78.0	270.2	71,800*b	79.5	267.5	56,700*	75
80	75.4	270.0	86,100*b	76.9	268.8	70,400*b	78.4	266.1	55,500*	80
85	74.3	268.6	83,800*b	75.8	267.4	69,000*b	77.3	264.6	54,300*	85
90	73.2	267.0	81,700*b	74.7	265.8	67,800*	76.2	263.0	53,200*	90
95	72.1	265.3	79,600*b	73.6	264.1	66,500*	75.0	261.3	52,100*	95
100	71.0	263.6	77,700*b	72.4	262.3	65,400*	73.9	259.5	51,100*	100
105	69.8	261.7	75,900*b	71.3	260.4	64,300*	72.8	257.6	50,200*	105
110	68.7	259.7	71,400b	70.2	258.4	63,200*	71.6	255.6	49,200*	110
115	67.6	257.6	66,800b	69.0	256.3	62,200*	70.4	253.4	48,400*	115
120	66.4	255.3	62,600b	67.9	254.1	61,300*	69.3	251.2	47,500*	120
125	65.2	253.0	58,800b	66.7	251.7	60,000	68.1	248.8	46,800*	125
130	64.1	250.5	55,400b	65.5	249.2	56,500	66.9	246.2	46,000*	130
140	61.7	245.1	49,200	63.1	243.8	50,200	64.5	240.8	44,600*	140
150	59.2	239.2	43,900	60.7	237.9	44,800	62.0	234.8	43,300*	150
160	56.7	232.7	39,300	58.1	231.3	40,200	59.4	228.1	40,900	160
170	54.1	225.5	35,300	55.5	224.1	36,100	56.7	220.8	36,700	170
180	51.4	217.6	30,900*	52.8	216.1	32,200*	54.0	212.7	33,000	180
190	48.7	209.0	26,800*	50.0	207.4	28,000*	51.1	203.8	29,200*	190
200	45.7	199.3	23,200*	47.1	197.7	24,200*	48.1	193.9	25,200*	200
210	42.7	188.7	19,900*	43.9	186.9	20,800*	45.0	182.9	21,600*	210
220	39.4	176.7	16,900*	40.6	174.9	17,600*				220
230	35.8	163.2	14,100*	37.1	161.2	14,800*				230
240	32.0	147.8	11,500*	33.1	145.5	12,100*				240
250	27.6	129.5	9,100*							250



# Liftcrane Jib Capacities

# M-250 SERIES 3

Meets  
ANSI B30.5  
Requirements

Jib No. 132 with 20 Ft. Strut on  
 Boom No. 44 With Heavy Lift Top  
 248,700 Lb. Crane Counterweight  
 120,000 Lb. Carbody Counterweight  
 360 Degree Rating

## 40 Ft. JIB

Jib Oper. Rad. Feet	5 Degree Offset			15 Degree Offset			30 Degree Offset			Jib Oper. Rad. Feet
	Boom Ang. Deg.	Jib Point Elev. Feet	Jib Capacity Pounds	Boom Ang. Deg.	Jib Point Elev. Feet	Jib Capacity Pounds	Boom Ang. Deg.	Jib Point Elev. Feet	Jib Capacity Pounds	
<b>240 Ft. BOOM</b>										
60	80.1	285.0	90,000*b							60
65	79.1	284.0	90,000*b	80.5	282.8	75,400*b				65
70	78.0	282.9	90,000*b	79.5	281.7	73,900*b	80.9	279.0	57,900*	70
75	77.0	281.7	89,700*b	78.4	280.5	72,400*b	79.9	277.8	57,200*	75
80	75.9	280.4	87,300*b	77.4	279.2	71,000*b	78.8	276.4	55,900*	80
85	74.9	279.0	85,000*b	76.3	277.8	69,700*b	77.7	275.0	54,800*	85
90	73.8	277.5	82,900*b	75.2	276.3	68,400*b	76.7	273.5	53,700*	90
95	72.7	275.9	80,900*b	74.2	274.7	67,200*	75.6	271.9	52,600*	95
100	71.7	274.2	78,900*b	73.1	272.9	66,100*	74.5	270.2	51,600*	100
105	70.6	272.4	75,800b	72.0	271.1	65,000*	73.4	268.3	50,700*	105
110	69.5	270.5	70,800b	70.9	269.2	63,900*	72.3	266.4	49,800*	110
115	68.4	268.4	66,200b	69.8	267.2	62,900*	71.2	264.3	48,900*	115
120	67.3	266.3	62,000b	68.7	265.0	62,000*	70.1	262.1	48,100*	120
125	66.2	264.0	58,200b	67.6	262.7	59,400	68.9	259.8	47,300*	125
130	65.1	261.7	54,700b	66.5	260.4	55,900	67.8	257.4	46,600*	130
140	62.8	256.5	48,500	64.2	255.2	49,600	65.5	252.2	45,200*	140
150	60.4	250.9	43,200	61.8	249.5	44,200	63.1	246.5	43,900*	150
160	58.1	244.7	38,700	59.4	243.3	39,500	60.7	240.2	40,300	160
170	55.6	237.9	34,700	56.9	236.5	35,400	58.2	233.2	36,100	170
180	53.1	230.5	30,400*	54.4	229.0	31,800*	55.6	225.6	32,400	180
190	50.4	222.3	26,300*	51.8	220.8	27,500*	52.9	217.3	28,800*	190
200	47.7	213.3	22,600*	49.0	211.7	23,700*	50.1	208.1	24,800*	200
210	44.9	203.4	19,300*	46.1	201.7	20,300*	47.1	197.9	21,200*	210
220	41.8	192.4	16,300*	43.1	190.6	17,200*	44.0	186.6	17,900*	220
230	38.6	180.2	13,600*	39.8	178.3	14,300*				230
240	35.2	166.3	11,000*	36.3	164.3	11,700*				240
250	31.4	150.5	8,700*	32.5	148.2	9,200*				250
260	27.1	131.8	6,400*							260



# Liftcrane Jib Capacities

Meets  
ANSI B30.5  
Requirements

# M-250 SERIES 3

Jib No. 132 with 20 Ft. Strut on  
Boom No. 44 With Heavy Lift Top  
248,700 Lb. Crane Counterweight  
120,000 Lb. Carbody Counterweight  
360 Degree Rating

## 40 Ft. JIB

Jib Oper. Rad. Feet	5 Degree Offset			15 Degree Offset			30 Degree Offset			Jib Oper. Rad. Feet
	Boom Ang. Deg.	Jib Point Elev. Feet	Jib Capacity Pounds	Boom Ang. Deg.	Jib Point Elev. Feet	Jib Capacity Pounds	Boom Ang. Deg.	Jib Point Elev. Feet	Jib Capacity Pounds	
<b>250 Ft. BOOM</b>										
60	80.4	295.2	90,000*b							60
65	79.4	294.2	90,000*b	80.8	293.0	76,000*b				65
70	78.4	293.1	90,000*b	79.8	291.9	74,400*b				70
75	77.4	292.0	90,000*b	78.8	290.8	73,000*b	80.2	288.0	57,400*	75
80	76.4	290.7	88,400*b	77.8	289.5	71,600*b	79.2	286.8	56,400*	80
85	75.4	289.4	86,200*b	76.8	288.2	70,300*b	78.2	285.4	55,300*	85
90	74.4	287.9	84,000*b	75.8	286.7	69,000*b	77.2	283.9	54,200*	90
95	73.4	286.4	82,000*b	74.7	285.2	67,800*	76.1	282.4	53,100*	95
100	72.3	284.8	80,100*b	73.7	283.5	66,700*	75.1	280.7	52,200*	100
105	71.3	283.0	76,400b	72.7	281.8	65,600*	74.0	279.0	51,200*	105
110	70.2	281.2	71,300b	71.6	279.9	64,600*	72.9	277.1	50,300*	110
115	69.2	279.2	66,700b	70.6	278.0	63,600*	71.9	275.1	49,500*	115
120	68.1	277.2	62,500b	69.5	275.9	62,600*	70.8	273.0	48,700*	120
125	67.1	275.0	58,700b	68.4	273.7	59,900	69.7	270.8	47,900*	125
130	66.0	272.7	55,200b	67.3	271.4	56,400	68.6	268.5	47,100*	130
140	63.8	267.8	49,000b	65.1	266.5	50,100	66.4	263.5	45,700*	140
150	61.6	262.5	43,800	62.9	261.1	44,700	64.1	258.1	44,500*	150
160	59.3	256.5	39,200	60.6	255.2	40,000	61.8	252.0	40,800	160
170	57.0	250.1	35,200	58.3	248.7	36,000	59.4	245.5	36,700	170
180	54.5	243.0	31,500*	55.8	241.6	32,400	57.0	238.3	33,000	180
190	52.1	235.3	27,400*	53.3	233.8	28,700*	54.5	230.4	29,700	190
200	49.5	226.8	23,800*	50.8	225.3	24,900*	51.8	221.7	26,000*	200
210	46.8	217.6	20,500*	48.1	215.9	21,400*	49.1	212.2	22,400*	210
220	44.0	207.4	17,500*	45.2	205.7	18,300*	46.2	201.7	19,100*	220
230	41.1	196.1	14,700*	42.3	194.3	15,500*	43.2	190.1	16,200*	230
240	37.9	183.5	12,200*	39.1	181.6	12,900*				240
250	34.5	169.4	9,900*	35.6	167.2	10,400*				250
260	30.8	153.2	7,700*	31.8	150.8	8,200*				260
270	26.6	134.1	5,700*							270



# Liftcrane Jib Capacities

# M-250 SERIES 3

Meets ANSI B30.5 Requirements
-------------------------------------

Jib No. 132 with 20 Ft. Strut on  
 Boom No. 44 With Heavy Lift Top  
 248,700 Lb. Crane Counterweight  
 120,000 Lb. Carbody Counterweight  
 360 Degree Rating

## 40 Ft. JIB

Jib Oper. Rad. Feet	5 Degree Offset			15 Degree Offset			30 Degree Offset			Jib Oper. Rad. Feet
	Boom Ang. Deg.	Jib Point Elev. Feet	Jib Capacity Pounds	Boom Ang. Deg.	Jib Point Elev. Feet	Jib Capacity Pounds	Boom Ang. Deg.	Jib Point Elev. Feet	Jib Capacity Pounds	
<b>260 Ft. BOOM</b>										
60	80.8	305.4	90,000*b							60
65	79.8	304.4	90,000*b							65
70	78.8	303.4	90,000*b	80.2	302.2	74,900*b				70
75	77.8	302.3	90,000*b	79.2	301.0	73,500*b	80.6	298.3	57,600*	75
80	76.9	301.0	89,500*b	78.2	299.8	72,200*b	79.6	297.1	56,800*	80
85	75.9	299.7	87,300*b	77.2	298.5	70,900*b	78.6	295.8	55,700*	85
90	74.9	298.4	85,200*b	76.3	297.1	69,600*b	77.6	294.4	54,600*	90
95	73.9	296.9	83,200*b	75.3	295.6	68,500*b	76.6	292.8	53,600*	95
100	72.9	295.3	80,600*b	74.3	294.0	67,300*	75.6	291.2	52,700*	100
105	71.9	293.6	75,600*b	73.3	292.4	66,300*	74.6	289.5	51,700*	105
110	70.9	291.8	70,600b	72.3	290.6	65,200*	73.6	287.7	50,800*	110
115	69.9	290.0	66,000b	71.2	288.7	64,200*	72.5	285.8	50,000*	115
120	68.9	288.0	61,900b	70.2	286.7	63,200	71.5	283.8	49,200*	120
125	67.9	285.9	58,100b	69.2	284.6	59,300	70.4	281.7	48,400*	125
130	66.8	283.7	54,600b	68.1	282.4	55,800	69.4	279.5	47,700*	130
140	64.7	279.0	48,400b	66.0	277.7	49,500	67.3	274.7	46,300*	140
150	62.6	273.9	43,100	63.9	272.5	44,100	65.1	269.5	45,000*	150
160	60.4	268.2	38,500	61.7	266.9	39,400	62.9	263.7	40,300	160
170	58.2	262.1	34,500	59.5	260.7	35,300	60.6	257.5	36,100	170
180	55.9	255.3	31,000*	57.2	253.9	31,700	58.3	250.6	32,400	180
190	53.6	248.0	26,900*	54.8	246.5	28,200*	55.9	243.2	29,100	190
200	51.1	240.0	23,200*	52.4	238.5	24,400*	53.4	235.0	25,500*	200
210	48.6	231.3	19,900*	49.8	229.7	20,900*	50.8	226.1	21,900*	210
220	46.0	221.8	16,900*	47.2	220.1	17,800*	48.1	216.3	18,700*	220
230	43.2	211.3	14,200*	44.4	209.5	15,000*	45.3	205.5	15,700*	230
240	40.3	199.7	11,700*	41.5	197.8	12,400*				240
250	37.2	186.8	9,300*	38.4	184.8	10,000*				250
260	33.9	172.4	7,200*	35.0	170.2	7,700*				260
270	30.2	155.8	5,200*	31.3	153.4	5,600*				270





# Liftcrane Jib Capacities

Meets  
**ANSI B30.5**  
 Requirements

# M-250 SERIES 3

Jib No. 132 with 20 Ft. Strut on  
 Boom No. 44 With Heavy Lift Top  
 248,700 Lb. Crane Counterweight  
 120,000 Lb. Carbody Counterweight  
 360 Degree Rating

## 60 Ft. JIB

Jib Oper. Rad. Feet	5 Degree Offset			15 Degree Offset			30 Degree Offset			Jib Oper. Rad. Feet
	Boom Ang. Deg.	Jib Point Elev. Feet	Jib Capacity Pounds	Boom Ang. Deg.	Jib Point Elev. Feet	Jib Capacity Pounds	Boom Ang. Deg.	Jib Point Elev. Feet	Jib Capacity Pounds	
<b>130 Ft. BOOM</b>										
50	79.8	194.9	72,400* <b>b</b>							50
55	78.3	193.7	70,900*							55
60	76.7	192.3	69,500*	79.9	190.5	59,200*				60
65	75.1	190.8	68,100*	78.3	189.0	58,300*				65
70	73.6	189.1	66,800*	76.7	187.3	57,500*	79.9	183.5	41,800*	70
75	72.0	187.3	65,600*	75.1	185.4	56,700*	78.3	181.6	40,400*	75
80	70.4	185.3	64,400*	73.5	183.4	55,900*	76.6	179.6	39,100*	80
85	68.7	183.1	63,300*	71.9	181.2	55,200*	75.0	177.3	37,900*	85
90	67.1	180.8	62,200*	70.2	178.9	54,500*	73.3	174.9	36,800*	90
95	65.4	178.3	61,200*	68.5	176.3	53,200*	71.5	172.3	35,800*	95
100	63.7	175.6	60,300*	66.8	173.6	51,600*	69.8	169.5	34,800*	100
105	62.0	172.7	59,400*	65.0	170.7	50,100*	68.0	166.5	33,900*	105
110	60.3	169.6	58,500*	63.3	167.5	48,700*	66.2	163.3	33,100*	110
115	58.5	166.3	57,700*	61.5	164.2	47,300*	64.3	159.9	32,300*	115
120	56.6	162.8	56,900*	59.6	160.6	46,100*	62.4	156.2	31,600*	120
125	54.8	159.0	56,200*	57.7	156.7	44,900*	60.4	152.2	30,900*	125
130	52.8	154.9	55,500*	55.7	152.6	43,900*	58.4	147.9	30,200*	130
140	48.8	145.9	51,800*	51.7	143.4	41,900*	54.2	138.4	29,100*	140
150	44.5	135.4	48,400*	47.3	132.8	40,000*	49.6	127.3	28,100*	150
160	39.8	123.2	45,400*	42.4	120.3	38,200*				160
170	34.5	108.5	40,200*	37.0	105.1	36,800*				170
180	28.2	90.0	33,800*							180



# Liftcrane Jib Capacities

# M-250 SERIES 3

Meets  
ANSI B30.5  
Requirements

**Jib No. 132 with 20 Ft. Strut on  
 Boom No. 44 With Heavy Lift Top  
 248,700 Lb. Crane Counterweight  
 120,000 Lb. Carbody Counterweight  
 360 Degree Rating**

## 60 Ft. JIB

Jib Oper. Rad. Feet	5 Degree Offset			15 Degree Offset			30 Degree Offset			Jib Oper. Rad. Feet
	Boom Ang. Deg.	Jib Point Elev. Feet	Jib Capacity Pounds	Boom Ang. Deg.	Jib Point Elev. Feet	Jib Capacity Pounds	Boom Ang. Deg.	Jib Point Elev. Feet	Jib Capacity Pounds	
<b>140 Ft. BOOM</b>										
50	80.3	205.2	73,000* <b>b</b>							50
55	78.8	204.0	71,500*							55
60	77.4	202.7	70,100*	80.4	200.8	59,500*				60
65	75.9	201.2	68,800*	78.9	199.4	58,700*				65
70	74.4	199.7	67,500*	77.4	197.8	57,800*	80.5	194.0	42,300*	70
75	72.9	197.9	66,300*	75.9	196.0	57,100*	78.9	192.2	40,900*	75
80	71.4	196.0	65,100*	74.4	194.1	56,300*	77.4	190.2	39,700*	80
85	69.9	194.0	64,000*	72.8	192.1	55,600*	75.8	188.1	38,500*	85
90	68.3	191.8	63,000*	71.3	189.9	54,900*	74.2	185.9	37,400*	90
95	66.8	189.5	62,000*	69.7	187.5	54,300*	72.6	183.4	36,400*	95
100	65.2	186.9	61,100*	68.1	184.9	52,800*	70.9	180.8	35,500*	100
105	63.5	184.2	60,200*	66.4	182.2	51,300*	69.3	178.0	34,600*	105
110	61.9	181.4	59,300*	64.8	179.3	49,900*	67.6	175.0	33,700*	110
115	60.2	178.3	58,500*	63.1	176.2	48,500*	65.8	171.8	33,000*	115
120	58.5	175.0	57,700*	61.4	172.8	47,300*	64.1	168.4	32,200*	120
125	56.8	171.5	57,000*	59.6	169.3	46,100*	62.2	164.7	31,500*	125
130	55.0	167.7	56,300*	57.8	165.5	45,000*	60.4	160.8	30,900*	130
140	51.4	159.5	54,200*	54.1	157.1	43,000*	56.5	152.2	29,700*	140
150	47.5	150.0	50,500	50.1	147.5	41,200*	52.4	142.2	28,700*	150
160	43.3	139.2	45,500*	45.8	136.4	39,500*	48.0	130.7	27,800*	160
170	38.7	126.5	40,200*	41.1	123.4	37,900*				170
180	33.5	111.3	35,500*	35.8	107.7	36,500*				180



# Liftcrane Jib Capacities

Meets  
**ANSI B30.5**  
 Requirements

# M-250 SERIES 3

Jib No. 132 with 20 Ft. Strut on  
 Boom No. 44 With Heavy Lift Top  
 248,700 Lb. Crane Counterweight  
 120,000 Lb. Carbody Counterweight  
 360 Degree Rating

## 60 Ft. JIB

Jib Oper. Rad. Feet	5 Degree Offset			15 Degree Offset			30 Degree Offset			Jib Oper. Rad. Feet
	Boom Ang. Deg.	Jib Point Elev. Feet	Jib Capacity Pounds	Boom Ang. Deg.	Jib Point Elev. Feet	Jib Capacity Pounds	Boom Ang. Deg.	Jib Point Elev. Feet	Jib Capacity Pounds	
<b>150 Ft. BOOM</b>										
50	80.8	215.4	73,400*b							50
55	79.4	214.3	72,000*b							55
60	78.0	213.0	70,700*	80.9	211.1	59,800*				60
65	76.6	211.7	69,400*	79.5	209.8	59,000*				65
70	75.2	210.2	68,100*	78.1	208.2	58,200*	81.0	204.4	42,700*	70
75	73.8	208.5	66,900*	76.6	206.6	57,400*	79.5	202.7	41,400*	75
80	72.3	206.7	65,800*	75.2	204.8	56,700*	78.0	200.8	40,200*	80
85	70.9	204.8	64,700*	73.7	202.9	56,000*	76.5	198.9	39,100*	85
90	69.4	202.7	63,700*	72.2	200.8	55,300*	75.0	196.7	38,000*	90
95	67.9	200.5	62,700*	70.7	198.5	54,700*	73.5	194.4	37,000*	95
100	66.4	198.1	61,800*	69.2	196.1	53,900*	71.9	192.0	36,100*	100
105	64.9	195.6	60,900*	67.7	193.5	52,400*	70.4	189.4	35,200*	105
110	63.4	192.9	60,100*	66.1	190.8	51,000*	68.8	186.5	34,400*	110
115	61.8	190.0	59,300*	64.5	187.9	49,700*	67.2	183.6	33,600*	115
120	60.2	186.9	58,500*	62.9	184.8	48,400*	65.5	180.4	32,800*	120
125	58.6	183.7	57,700*	61.3	181.5	47,200*	63.8	177.0	32,100*	125
130	57.0	180.2	57,000*	59.6	177.9	46,100*	62.1	173.3	31,500*	130
140	53.6	172.5	55,200	56.2	170.2	44,100*	58.6	165.4	30,300*	140
150	50.0	163.9	49,900	52.6	161.4	42,300*	54.8	156.3	29,300*	150
160	46.2	154.1	45,300	48.7	151.4	40,600*	50.8	145.9	28,400*	160
170	42.1	142.8	40,200*	44.5	139.9	39,000*	46.5	133.9	27,600*	170
180	37.7	129.6	35,600*	40.0	126.4	37,000*				180
190	32.6	113.9	31,300*	34.8	110.3	32,400*				190



# Liftcrane Jib Capacities

# M-250 SERIES 3

Meets  
ANSI B30.5  
Requirements

Jib No. 132 with 20 Ft. Strut on  
 Boom No. 44 With Heavy Lift Top  
 248,700 Lb. Crane Counterweight  
 120,000 Lb. Carbody Counterweight  
 360 Degree Rating

## 60 Ft. JIB

Jib Oper. Rad. Feet	5 Degree Offset			15 Degree Offset			30 Degree Offset			Jib Oper. Rad. Feet
	Boom Ang. Deg.	Jib Point Elev. Feet	Jib Capacity Pounds	Boom Ang. Deg.	Jib Point Elev. Feet	Jib Capacity Pounds	Boom Ang. Deg.	Jib Point Elev. Feet	Jib Capacity Pounds	
<b>160 Ft. BOOM</b>										
55	79.9	224.5	72,500* <b>b</b>							55
60	78.5	223.3	71,200*							60
65	77.2	222.0	69,900*	80.0	220.1	59,300*				65
70	75.9	220.6	68,700*	78.6	218.7	58,500*				70
75	74.5	219.0	67,600*	77.3	217.1	57,700*	80.0	213.1	41,900*	75
80	73.2	217.4	66,500*	75.9	215.4	57,000*	78.6	211.4	40,700*	80
85	71.8	215.5	65,400*	74.5	213.5	56,400*	77.2	209.5	39,600*	85
90	70.4	213.6	64,400*	73.1	211.6	55,700*	75.8	207.5	38,500*	90
95	69.0	211.5	63,400*	71.7	209.4	55,100*	74.3	205.3	37,500*	95
100	67.6	209.2	62,500*	70.2	207.2	54,500*	72.9	203.0	36,600*	100
105	66.1	206.8	61,600*	68.8	204.7	53,500*	71.4	200.5	35,800*	105
110	64.7	204.3	60,800*	67.3	202.2	52,100*	69.9	197.9	34,900*	110
115	63.2	201.5	60,000*	65.8	199.4	50,700*	68.4	195.1	34,200*	115
120	61.7	198.7	59,200*	64.3	196.5	49,500*	66.8	192.1	33,400*	120
125	60.2	195.6	58,500*	62.8	193.4	48,300*	65.2	188.9	32,700*	125
130	58.7	192.3	57,800*	61.2	190.1	47,200*	63.7	185.5	32,100*	130
140	55.5	185.2	54,600	58.0	182.9	45,100*	60.4	178.1	30,900*	140
150	52.2	177.2	49,200	54.7	174.8	43,300*	56.9	169.8	29,800*	150
160	48.7	168.2	44,600	51.2	165.6	41,700*	53.3	160.3	28,900*	160
170	45.0	158.0	40,000*	47.4	155.2	40,100*	49.4	149.5	28,100*	170
180	41.1	146.3	35,400*	43.3	143.3	36,900*				180
190	36.7	132.7	31,200*	38.9	129.4	32,400*				190
200	31.8	116.6	27,400*							200





# Liftcrane Jib Capacities

Meets  
ANSI B30.5  
Requirements

# M-250 SERIES 3

Jib No. 132 with 20 Ft. Strut on  
Boom No. 44 With Heavy Lift Top  
248,700 Lb. Crane Counterweight  
120,000 Lb. Carbody Counterweight  
360 Degree Rating

## 60 Ft. JIB

Jib Oper. Rad. Feet	5 Degree Offset			15 Degree Offset			30 Degree Offset			Jib Oper. Rad. Feet
	Boom Ang. Deg.	Jib Point Elev. Feet	Jib Capacity Pounds	Boom Ang. Deg.	Jib Point Elev. Feet	Jib Capacity Pounds	Boom Ang. Deg.	Jib Point Elev. Feet	Jib Capacity Pounds	
<b>170 Ft. BOOM</b>										
55	80.3	234.7	73,000*b							55
60	79.1	233.6	71,700*b							60
65	77.8	232.4	70,400*	80.4	230.4	59,500*				65
70	76.5	231.0	69,300*	79.1	229.0	58,800*				70
75	75.2	229.5	68,100*	77.8	227.5	58,100*	80.5	223.5	42,300*	75
80	73.9	227.9	67,100*	76.5	225.9	57,400*	79.1	221.9	41,200*	80
85	72.6	226.2	66,000*	75.2	224.2	56,700*	77.8	220.1	40,100*	85
90	71.3	224.3	65,000*	73.9	222.3	56,100*	76.4	218.2	39,000*	90
95	70.0	222.3	64,100*	72.5	220.3	55,500*	75.1	216.1	38,100*	95
100	68.6	220.2	63,200*	71.2	218.1	54,900*	73.7	213.9	37,100*	100
105	67.3	217.9	62,300*	69.8	215.8	54,300*	72.3	211.6	36,300*	105
110	65.9	215.5	61,500*	68.4	213.4	53,100*	70.9	209.1	35,500*	110
115	64.5	212.9	60,700*	67.0	210.8	51,800*	69.4	206.4	34,700*	115
120	63.1	210.2	59,900*	65.6	208.0	50,500*	68.0	203.6	34,000*	120
125	61.7	207.3	59,200*	64.1	205.1	49,300*	66.5	200.6	33,300*	125
130	60.2	204.2	58,500*	62.7	202.0	48,200*	65.0	197.5	32,600*	130
140	57.2	197.6	54,200	59.7	195.3	46,100*	61.9	190.5	31,400*	140
150	54.2	190.1	48,900	56.5	187.7	44,300*	58.7	182.8	30,400*	150
160	50.9	181.8	44,300	53.3	179.3	42,600*	55.4	174.1	29,400*	160
170	47.6	172.4	40,200*	49.8	169.7	41,000	51.8	164.2	28,600*	170
180	44.0	161.8	35,600*	46.2	159.0	37,200*	48.0	153.1	27,800*	180
190	40.1	149.7	31,400*	42.2	146.6	32,800*				190
200	35.8	135.8	27,700*	37.9	132.3	28,800*				200
210	31.0	119.1	24,200*							210



# Liftcrane Jib Capacities

Meets  
ANSI B30.5  
Requirements

## M-250 SERIES 3

Jib No. 132 with 20 Ft. Strut on  
 Boom No. 44 With Heavy Lift Top  
 248,700 Lb. Crane Counterweight  
 120,000 Lb. Carbody Counterweight  
 360 Degree Rating

### 60 Ft. JIB

Jib Oper. Rad. Feet	5 Degree Offset			15 Degree Offset			30 Degree Offset			Jib Oper. Rad. Feet
	Boom Ang. Deg.	Jib Point Elev. Feet	Jib Capacity Pounds	Boom Ang. Deg.	Jib Point Elev. Feet	Jib Capacity Pounds	Boom Ang. Deg.	Jib Point Elev. Feet	Jib Capacity Pounds	
<b>180 Ft. BOOM</b>										
55	80.7	245.0	73,400 *b							55
60	79.5	243.9	72,100 *b							60
65	78.3	242.7	70,900 *	80.8	240.7	59,800 *				65
70	77.1	241.4	69,800 *	79.6	239.4	59,000 *				70
75	75.8	240.0	68,700 *	78.4	238.0	58,300 *	80.9	233.9	42,700 *	75
80	74.6	238.4	67,600 *	77.1	236.4	57,700 *	79.6	232.3	41,600 *	80
85	73.4	236.8	66,600 *	75.8	234.7	57,000 *	78.3	230.6	40,500 *	85
90	72.1	235.0	65,600 *	74.6	232.9	56,400 *	77.0	228.8	39,500 *	90
95	70.8	233.1	64,700 *	73.3	231.0	55,800 *	75.7	226.8	38,500 *	95
100	69.6	231.1	63,800 *	72.0	229.0	55,200 *	74.4	224.8	37,600 *	100
105	68.3	228.9	62,900 *	70.7	226.8	54,700 *	73.1	222.5	36,800 *	105
110	67.0	226.6	62,100 *	69.4	224.5	54,100 *	71.8	220.2	36,000 *	110
115	65.6	224.2	61,300 *	68.1	222.0	52,700 *	70.4	217.6	35,200 *	115
120	64.3	221.6	60,600 *	66.7	219.4	51,500 *	69.0	215.0	34,500 *	120
125	63.0	218.8	59,800 *	65.3	216.6	50,300 *	67.6	212.2	33,800 *	125
130	61.6	216.0	59,100 *	64.0	213.7	49,200 *	66.2	209.2	33,200 *	130
140	58.8	209.7	53,500	61.1	207.4	47,100 *	63.3	202.7	32,000 *	140
150	55.9	202.7	48,200	58.2	200.3	45,200 *	60.3	195.4	30,900 *	150
160	52.9	194.9	43,600	55.2	192.4	43,500 *	57.2	187.3	29,900 *	160
170	49.8	186.2	39,600	52.0	183.6	40,400	53.9	178.3	29,100 *	170
180	46.5	176.5	35,300 *	48.6	173.7	36,700	50.5	168.1	28,300 *	180
190	42.9	165.6	31,100 *	45.1	162.6	32,600 *	46.7	156.5	27,600 *	190
200	39.2	153.1	27,400 *	41.2	149.9	28,600 *				200
210	35.0	138.7	24,000 *	36.9	135.1	25,000 *				210
220	30.3	121.6	20,800 *							220



# Liftcrane Jib Capacities

Meets  
ANSI B30.5  
Requirements

# M-250 SERIES 3

Jib No. 132 with 20 Ft. Strut on  
Boom No. 44 With Heavy Lift Top  
248,700 Lb. Crane Counterweight  
120,000 Lb. Carbody Counterweight  
360 Degree Rating

## 60 Ft. JIB

Jib Oper. Rad. Feet	5 Degree Offset			15 Degree Offset			30 Degree Offset			Jib Oper. Rad. Feet
	Boom Ang. Deg.	Jib Point Elev. Feet	Jib Capacity Pounds	Boom Ang. Deg.	Jib Point Elev. Feet	Jib Capacity Pounds	Boom Ang. Deg.	Jib Point Elev. Feet	Jib Capacity Pounds	
<b>190 Ft. BOOM</b>										
60	79.9	254.1	72,600*b							60
65	78.8	253.0	71,400*							65
70	77.6	251.7	70,300*	80.0	249.7	59,300*				70
75	76.4	250.4	69,200*	78.8	248.3	58,600*				75
80	75.2	248.9	68,200*	77.6	246.9	57,900*	80.1	242.7	42,000*	80
85	74.0	247.3	67,200*	76.4	245.3	57,300*	78.8	241.1	40,900*	85
90	72.8	245.6	66,200*	75.2	243.5	56,700*	77.6	239.4	39,900*	90
95	71.6	243.8	65,300*	74.0	241.7	56,100*	76.4	237.5	39,000*	95
100	70.4	241.9	64,400*	72.8	239.8	55,600*	75.1	235.5	38,100*	100
105	69.2	239.8	63,500*	71.5	237.7	55,000*	73.8	233.4	37,300*	105
110	67.9	237.6	62,700*	70.3	235.5	54,500*	72.6	231.1	36,500*	110
115	66.7	235.3	61,900*	69.0	233.1	53,700*	71.3	228.7	35,700*	115
120	65.4	232.8	61,200*	67.7	230.6	52,400*	70.0	226.2	35,000*	120
125	64.1	230.2	60,500*	66.4	228.0	51,200*	68.6	223.5	34,300*	125
130	62.8	227.5	59,200	65.1	225.3	50,100*	67.3	220.7	33,700*	130
140	60.2	221.6	52,900	62.5	219.3	48,000*	64.6	214.6	32,500*	140
150	57.5	215.0	47,600	59.7	212.6	46,100*	61.8	207.8	31,400*	150
160	54.7	207.7	43,000	56.8	205.2	44,000	58.8	200.2	30,400*	160
170	51.7	199.6	39,000	53.9	197.0	39,800	55.8	191.8	29,500*	170
180	48.7	190.6	35,000*	50.8	187.9	36,200	52.6	182.4	28,800*	180
190	45.4	180.5	30,800*	47.5	177.7	32,400*	49.2	171.8	28,100*	190
200	42.0	169.2	27,100*	44.0	166.2	28,500*				200
210	38.3	156.4	23,700*	40.2	153.1	24,900*				210
220	34.2	141.6	20,600*	36.1	137.9	21,500*				220
230	29.7	124.1	17,700*							230



# Liftcrane Jib Capacities

# M-250 SERIES 3

Meets  
ANSI B30.5  
Requirements

Jib No. 132 with 20 Ft. Strut on  
 Boom No. 44 With Heavy Lift Top  
 248,700 Lb. Crane Counterweight  
 120,000 Lb. Carbody Counterweight  
 360 Degree Rating

## 60 Ft. JIB

Jib Oper. Rad. Feet	5 Degree Offset			15 Degree Offset			30 Degree Offset			Jib Oper. Rad. Feet
	Boom Ang. Deg.	Jib Point Elev. Feet	Jib Capacity Pounds	Boom Ang. Deg.	Jib Point Elev. Feet	Jib Capacity Pounds	Boom Ang. Deg.	Jib Point Elev. Feet	Jib Capacity Pounds	
<b>200 Ft. BOOM</b>										
60	80.3	264.3	73,000*b							60
65	79.2	263.2	71,800*b							65
70	78.1	262.0	70,700*	80.4	260.0	59,500*				70
75	77.0	260.7	69,700*	79.3	258.7	58,800*				75
80	75.8	259.3	68,700*	78.1	257.3	58,200*	80.5	253.1	42,300*	80
85	74.7	257.8	67,700*	77.0	255.7	57,600*	79.3	251.6	41,300*	85
90	73.5	256.2	66,700*	75.8	254.1	57,000*	78.1	249.9	40,300*	90
95	72.4	254.4	65,800*	74.7	252.3	56,400*	76.9	248.1	39,400*	95
100	71.2	252.6	65,000*	73.5	250.5	55,900*	75.7	246.2	38,500*	100
105	70.0	250.6	64,100*	72.3	248.5	55,400*	74.5	244.2	37,700*	105
110	68.8	248.5	63,300*	71.1	246.4	54,800*	73.3	242.0	36,900*	110
115	67.6	246.3	62,500*	69.9	244.1	54,400*	72.1	239.8	36,200*	115
120	66.4	244.0	61,800*	68.7	241.8	53,300*	70.8	237.3	35,500*	120
125	65.2	241.5	61,100*	67.4	239.3	52,100*	69.6	234.8	34,800*	125
130	64.0	238.9	58,500	66.2	236.7	51,000*	68.3	232.1	34,100*	130
140	61.5	233.3	52,300	63.7	231.0	48,900*	65.7	226.3	33,000*	140
150	58.9	227.0	47,000	61.0	224.7	47,000*	63.0	219.9	31,900*	150
160	56.2	220.1	42,300	58.4	217.7	43,400	60.3	212.7	30,900*	160
170	53.5	212.5	38,300	55.6	210.0	39,200	57.4	204.8	30,000*	170
180	50.6	204.1	34,600*	52.7	201.5	35,600	54.5	196.1	29,200*	180
190	47.6	194.8	30,400*	49.6	192.0	32,100*	51.3	186.3	28,500*	190
200	44.5	184.4	26,700*	46.4	181.5	28,100*	48.0	175.4	27,900*	200
210	41.1	172.8	23,300*	43.0	169.6	24,500*				210
220	37.5	159.6	20,200*	39.3	156.2	21,300*				220
230	33.5	144.4	17,400*	35.2	140.6	18,200*				230
240	29.0	126.5	14,700*							240



# Liftcrane Jib Capacities

Meets  
ANSI B30.5  
Requirements

# M-250 SERIES 3

Jib No. 132 with 20 Ft. Strut on  
Boom No. 44 With Heavy Lift Top  
248,700 Lb. Crane Counterweight  
120,000 Lb. Carbody Counterweight  
360 Degree Rating

## 60 Ft. JIB

Jib Oper. Rad. Feet	5 Degree Offset			15 Degree Offset			30 Degree Offset			Jib Oper. Rad. Feet
	Boom Ang. Deg.	Jib Point Elev. Feet	Jib Capacity Pounds	Boom Ang. Deg.	Jib Point Elev. Feet	Jib Capacity Pounds	Boom Ang. Deg.	Jib Point Elev. Feet	Jib Capacity Pounds	
<b>210 Ft. BOOM</b>										
60	80.7	274.5	73,400*b							60
65	79.6	273.5	72,200*b							65
70	78.5	272.3	71,200*	80.8	270.3	59,700*				70
75	77.4	271.1	70,100*	79.7	269.0	59,100*				75
80	76.4	269.7	69,100*	78.6	267.6	58,400*	80.8	263.5	42,700*	80
85	75.3	268.3	68,200*	77.5	266.2	57,800*	79.7	262.0	41,700*	85
90	74.2	266.7	67,200*	76.4	264.6	57,300*	78.6	260.4	40,700*	90
95	73.0	265.0	66,400*	75.2	262.9	56,700*	77.4	258.7	39,800*	95
100	71.9	263.3	65,500*	74.1	261.1	56,200*	76.3	256.8	39,000*	100
105	70.8	261.4	64,700*	73.0	259.2	55,700*	75.1	254.9	38,100*	105
110	69.7	259.4	63,900*	71.8	257.2	55,200*	74.0	252.8	37,400*	110
115	68.5	257.3	63,100*	70.7	255.1	54,700*	72.8	250.7	36,600*	115
120	67.4	255.0	62,400*	69.5	252.8	54,200*	71.6	248.4	35,900*	120
125	66.2	252.7	61,600*	68.3	250.4	53,000*	70.4	245.9	35,200*	125
130	65.0	250.2	58,100	67.2	247.9	51,900*	69.2	243.4	34,600*	130
140	62.6	244.8	51,900	64.7	242.5	49,800*	66.7	237.9	33,400*	140
150	60.2	238.9	46,600	62.3	236.5	47,800	64.2	231.8	32,300*	150
160	57.7	232.4	41,900	59.7	229.9	43,000	61.6	225.0	31,300*	160
170	55.1	225.2	37,900	57.1	222.7	38,900	58.9	217.6	30,400*	170
180	52.4	217.3	34,300	54.4	214.7	35,200	56.1	209.4	29,600*	180
190	49.6	208.6	30,400*	51.5	205.8	31,900	53.2	200.3	28,900*	190
200	46.7	198.9	26,600*	48.6	196.1	28,100*	50.2	190.3	28,300*	200
210	43.6	188.2	23,300*	45.4	185.2	24,600*	46.9	179.0	25,500*	210
220	40.3	176.3	20,200*	42.1	173.0	21,300*				220
230	36.7	162.7	17,400*	38.5	159.2	18,300*				230
240	32.8	147.2	14,800*	34.5	143.3	15,500*				240
250	28.4	128.9	12,300*							250





# Liftcrane Jib Capacities

# M-250 SERIES 3

Meets ANSI B30.5 Requirements
-------------------------------------

Jib No. 132 with 20 Ft. Strut on  
 Boom No. 44 With Heavy Lift Top  
 248,700 Lb. Crane Counterweight  
 120,000 Lb. Carbody Counterweight  
 360 Degree Rating

## 60 Ft. JIB

Jib Oper. Rad. Feet	5 Degree Offset			15 Degree Offset			30 Degree Offset			Jib Oper. Rad. Feet
	Boom Ang. Deg.	Jib Point Elev. Feet	Jib Capacity Pounds	Boom Ang. Deg.	Jib Point Elev. Feet	Jib Capacity Pounds	Boom Ang. Deg.	Jib Point Elev. Feet	Jib Capacity Pounds	
<b>220 Ft. BOOM</b>										
65	80.0	283.7	72,600*b							65
70	78.9	282.6	71,600*b							70
75	77.9	281.4	70,500*	80.1	279.3	59,300*				75
80	76.9	280.1	69,600*	79.0	278.0	58,700*				80
85	75.8	278.7	68,600*	77.9	276.6	58,100*	80.1	272.3	42,000*	85
90	74.7	277.2	67,700*	76.9	275.1	57,500*	79.0	270.8	41,100*	90
95	73.7	275.6	66,800*	75.8	273.5	57,000*	77.9	269.2	40,200*	95
100	72.6	273.9	66,000*	74.7	271.7	56,400*	76.8	267.4	39,300*	100
105	71.5	272.1	65,200*	73.6	269.9	55,900*	75.7	265.6	38,500*	105
110	70.4	270.1	64,400*	72.5	268.0	55,400*	74.6	263.6	37,800*	110
115	69.3	268.1	63,600*	71.4	265.9	55,000*	73.5	261.5	37,000*	115
120	68.2	266.0	62,900*	70.3	263.8	54,500*	72.3	259.3	36,300*	120
125	67.1	263.7	61,000	69.2	261.5	53,800*	71.2	257.0	35,700*	125
130	66.0	261.3	57,500	68.0	259.1	52,700*	70.0	254.5	35,000*	130
140	63.7	256.2	51,200	65.7	253.9	50,600*	67.7	249.3	33,900*	140
150	61.4	250.6	45,900	63.4	248.2	47,200	65.3	243.5	32,800*	150
160	59.0	244.4	41,300	61.0	242.0	42,400	62.8	237.1	31,800*	160
170	56.5	237.6	37,200	58.5	235.1	38,300	60.3	230.0	30,900*	170
180	54.0	230.1	33,700	55.9	227.5	34,600	57.6	222.3	30,100*	180
190	51.3	221.9	29,900*	53.3	219.2	31,300	54.9	213.8	29,300*	190
200	48.6	212.9	26,100*	50.5	210.1	27,700*	52.1	204.5	28,700*	200
210	45.7	203.0	22,800*	47.6	200.1	24,200*	49.1	194.1	25,200*	210
220	42.7	192.0	19,700*	44.5	188.9	20,900*	45.9	182.5	21,800*	220
230	39.5	179.7	16,900*	41.2	176.4	17,900*				230
240	36.0	165.8	14,300*	37.7	162.2	15,200*				240
250	32.2	149.9	11,900*							250



# Liftcrane Jib Capacities

Meets  
ANSI B30.5  
Requirements

# M-250 SERIES 3

Jib No. 132 with 20 Ft. Strut on  
Boom No. 44 With Heavy Lift Top  
248,700 Lb. Crane Counterweight  
120,000 Lb. Carbody Counterweight  
360 Degree Rating

## 60 Ft. JIB

Jib Oper. Rad. Feet	5 Degree Offset			15 Degree Offset			30 Degree Offset			Jib Oper. Rad. Feet
	Boom Ang. Deg.	Jib Point Elev. Feet	Jib Capacity Pounds	Boom Ang. Deg.	Jib Point Elev. Feet	Jib Capacity Pounds	Boom Ang. Deg.	Jib Point Elev. Feet	Jib Capacity Pounds	
<b>230 Ft. BOOM</b>										
65	80.3	293.9	73,000*b							65
70	79.3	292.8	71,900*b							70
75	78.3	291.7	70,900*	80.4	289.6	59,500*				75
80	77.3	290.4	70,000*	79.4	288.3	58,900*				80
85	76.3	289.1	69,100*	78.4	287.0	58,300*	80.5	282.7	42,400*	85
90	75.3	287.6	68,200*	77.3	285.5	57,800*	79.4	281.2	41,400*	90
95	74.2	286.1	67,300*	76.3	283.9	57,200*	78.4	279.6	40,600*	95
100	73.2	284.4	66,500*	75.3	282.3	56,700*	77.3	277.9	39,700*	100
105	72.2	282.7	65,700*	74.2	280.5	56,200*	76.2	276.2	38,900*	105
110	71.1	280.9	64,900*	73.2	278.7	55,700*	75.2	274.3	38,200*	110
115	70.1	278.9	64,200*	72.1	276.7	55,300*	74.1	272.3	37,400*	115
120	69.0	276.9	63,400*	71.0	274.6	54,800*	73.0	270.2	36,800*	120
125	67.9	274.7	60,400	70.0	272.5	54,400*	71.9	267.9	36,100*	125
130	66.9	272.4	56,900	68.9	270.2	53,500*	70.8	265.6	35,500*	130
140	64.7	267.5	50,600	66.7	265.2	51,400*	68.5	260.6	34,300*	140
150	62.4	262.1	45,300	64.4	259.8	46,600	66.3	255.0	33,200*	150
160	60.2	256.2	40,700	62.1	253.8	41,900	63.9	248.9	32,200*	160
170	57.8	249.7	36,600	59.7	247.3	37,700	61.5	242.3	31,300*	170
180	55.4	242.7	33,100	57.3	240.1	34,000	59.0	235.0	30,500*	180
190	52.9	234.9	29,400*	54.8	232.3	30,800	56.4	227.0	29,700*	190
200	50.4	226.5	25,700*	52.2	223.7	27,400*	53.8	218.2	28,500	200
210	47.7	217.2	22,300*	49.5	214.3	23,800*	51.0	208.5	24,900*	210
220	44.9	207.0	19,300*	46.6	203.9	20,600*	48.0	197.8	21,500*	220
230	41.9	195.6	16,500*	43.6	192.5	17,600*				230
240	38.8	183.0	13,900*	40.4	179.6	14,900*				240
250	35.3	168.8	11,500*	36.9	165.1	12,300*				250
260	31.6	152.6	9,300*							260



# Liftcrane Jib Capacities

# M-250 SERIES 3

Meets  
ANSI B30.5  
Requirements

Jib No. 132 with 20 Ft. Strut on  
 Boom No. 44 With Heavy Lift Top  
 248,700 Lb. Crane Counterweight  
 120,000 Lb. Carbody Counterweight  
 360 Degree Rating

## 60 Ft. JIB

Jib Oper. Rad. Feet	5 Degree Offset			15 Degree Offset			30 Degree Offset			Jib Oper. Rad. Feet
	Boom Ang. Deg.	Jib Point Elev. Feet	Jib Capacity Pounds	Boom Ang. Deg.	Jib Point Elev. Feet	Jib Capacity Pounds	Boom Ang. Deg.	Jib Point Elev. Feet	Jib Capacity Pounds	
<b>240 Ft. BOOM</b>										
65	80.7	304.1	73,300*b							65
70	79.7	303.1	72,300*b							70
75	78.7	301.9	71,300*	80.7	299.8	59,700*				75
80	77.7	300.7	70,400*	79.8	298.6	59,100*				80
85	76.8	299.4	69,500*	78.8	297.3	58,500*	80.8	293.0	42,700*	85
90	75.8	298.0	68,600*	77.8	295.9	58,000*	79.8	291.6	41,800*	90
95	74.8	296.6	67,800*	76.8	294.4	57,500*	78.8	290.1	40,900*	95
100	73.8	295.0	66,900*	75.8	292.8	57,000*	77.8	288.4	40,100*	100
105	72.8	293.3	66,200*	74.8	291.1	56,500*	76.7	286.7	39,300*	105
110	71.8	291.5	65,400*	73.8	289.3	56,000*	75.7	284.9	38,500*	110
115	70.8	289.6	64,600*	72.7	287.4	55,500*	74.7	283.0	37,800*	115
120	69.7	287.7	63,600	71.7	285.4	55,100*	73.6	281.0	37,100*	120
125	68.7	285.6	59,800	70.7	283.3	54,700*	72.6	278.8	36,500*	125
130	67.7	283.4	56,200	69.6	281.1	54,300*	71.5	276.6	35,900*	130
140	65.6	278.7	50,000	67.5	276.4	51,500	69.3	271.8	34,700*	140
150	63.5	273.5	44,700	65.4	271.2	46,000	67.1	266.5	33,600*	150
160	61.3	267.9	40,000	63.2	265.5	41,300	64.9	260.6	32,600*	160
170	59.0	261.7	36,000	60.9	259.3	37,100	62.6	254.3	31,700*	170
180	56.7	255.0	32,400	58.6	252.5	33,400	60.3	247.4	30,900*	180
190	54.4	247.6	28,900*	56.2	245.0	30,200	57.8	239.8	30,100*	190
200	52.0	239.6	25,100*	53.7	236.9	26,900*	55.3	231.5	28,000	200
210	49.4	230.9	21,800*	51.2	228.1	23,300*	52.7	222.4	24,500*	210
220	46.8	221.3	18,700*	48.5	218.4	20,100*	50.0	212.5	21,100*	220
230	44.1	210.8	15,900*	45.7	207.8	17,100*	47.1	201.5	18,000*	230
240	41.2	199.2	13,300*	42.8	196.0	14,400*				240
250	38.1	186.3	11,000*	39.6	182.8	11,900*				250
260	34.7	171.8	8,800*	36.2	168.0	9,500*				260
270	31.0	155.2	6,700*							270



# Liftcrane Jib Capacities

Meets ANSI B30.5 Requirements
-------------------------------------

# M-250 SERIES 3

Jib No. 132 with 20 Ft. Strut on  
Boom No. 44 With Heavy Lift Top  
248,700 Lb. Crane Counterweight  
120,000 Lb. Carbody Counterweight  
360 Degree Rating

## 60 Ft. JIB

Jib Oper. Rad. Feet	5 Degree Offset			15 Degree Offset			30 Degree Offset			Jib Oper. Rad. Feet
	Boom Ang. Deg.	Jib Point Elev. Feet	Jib Capacity Pounds	Boom Ang. Deg.	Jib Point Elev. Feet	Jib Capacity Pounds	Boom Ang. Deg.	Jib Point Elev. Feet	Jib Capacity Pounds	
<b>250 Ft. BOOM</b>										
65	81.0	314.3	60,000*b							65
70	80.0	313.3	60,000*b							70
75	79.1	312.2	60,000*b							75
80	78.1	311.0	60,000*	80.1	308.9	59,300*				80
85	77.2	309.8	60,000*	79.1	307.6	58,700*				85
90	76.2	308.4	60,000*	78.2	306.3	58,200*	80.1	301.9	42,100*	90
95	75.3	307.0	60,000*	77.2	304.8	57,700*	79.2	300.5	41,200*	95
100	74.3	305.5	60,000*	76.3	303.3	57,200*	78.2	298.9	40,400*	100
105	73.4	303.9	60,000*	75.3	301.7	56,700*	77.2	297.3	39,600*	105
110	72.4	302.1	60,000*	74.3	299.9	56,200*	76.2	295.5	38,900*	110
115	71.4	300.3	60,000*	73.3	298.1	55,800*	75.2	293.7	38,200*	115
120	70.4	298.4	60,000*	72.3	296.2	55,400*	74.2	291.7	37,500*	120
125	69.4	296.4	60,000*	71.3	294.2	54,900*	73.2	289.7	36,900*	125
130	68.4	294.3	56,700	70.3	292.1	54,500*	72.1	287.5	36,200*	130
140	66.4	289.8	50,400	68.3	287.5	51,900	70.1	282.9	35,100*	140
150	64.4	284.8	45,100	66.2	282.5	46,500	68.0	277.8	34,000*	150
160	62.3	279.4	40,500	64.1	277.0	41,700	65.8	272.2	33,000*	160
170	60.2	273.5	36,400	62.0	271.1	37,500	63.6	266.1	32,100*	170
180	58.0	267.1	32,800	59.8	264.6	33,900	61.4	259.5	31,300*	180
190	55.7	260.1	29,700	57.5	257.5	30,600	59.1	252.3	30,500*	190
200	53.4	252.5	26,100*	55.2	249.9	27,700	56.7	244.5	28,400	200
210	51.0	244.3	22,700*	52.8	241.5	24,300*	54.2	235.9	25,500*	210
220	48.6	235.3	19,700*	50.3	232.4	21,100*	51.7	226.6	22,100*	220
230	46.0	225.4	16,900*	47.6	222.4	18,100*	49.0	216.4	19,100*	230
240	43.3	214.7	14,300*	44.9	211.5	15,400*	46.2	205.1	16,200*	240
250	40.4	202.8	12,000*	42.0	199.4	12,900*				250
260	37.4	189.6	9,800*	38.9	186.0	10,600*				260
270	34.1	174.7	7,800*	35.5	170.8	8,500*				270
280	30.5	157.8	5,800*							280



# Liftcrane Jib Capacities

# M-250 SERIES 3

Meets  
ANSI B30.5  
Requirements

**Jib No. 132 with 20 Ft. Strut on  
 Boom No. 44 With Heavy Lift Top  
 248,700 Lb. Crane Counterweight  
 120,000 Lb. Carbody Counterweight  
 360 Degree Rating**

## 60 Ft. JIB

Jib Oper. Rad. Feet	5 Degree Offset			15 Degree Offset			30 Degree Offset			Jib Oper. Rad. Feet
	Boom Ang. Deg.	Jib Point Elev. Feet	Jib Capacity Pounds	Boom Ang. Deg.	Jib Point Elev. Feet	Jib Capacity Pounds	Boom Ang. Deg.	Jib Point Elev. Feet	Jib Capacity Pounds	
<b>260 Ft. BOOM</b>										
70	80.3	323.5	60,000*b							70
75	79.4	322.4	60,000*b							75
80	78.5	321.3	60,000*	80.4	319.2	59,500*				80
85	77.6	320.1	60,000*	79.5	317.9	58,900*				85
90	76.7	318.8	60,000*	78.6	316.6	58,400*	80.5	312.3	42,400*	90
95	75.8	317.4	60,000*	77.6	315.2	57,900*	79.5	310.8	41,500*	95
100	74.8	315.9	60,000*	76.7	313.7	57,400*	78.6	309.3	40,700*	100
105	73.9	314.4	60,000*	75.8	312.2	56,900*	77.6	307.7	40,000*	105
110	73.0	312.7	60,000*	74.8	310.5	56,500*	76.6	306.1	39,200*	110
115	72.0	311.0	60,000*	73.9	308.7	56,000*	75.7	304.3	38,500*	115
120	71.1	309.1	60,000*	72.9	306.9	55,600*	74.7	302.4	37,900*	120
125	70.1	307.2	59,600	72.0	305.0	55,200*	73.7	300.4	37,200*	125
130	69.2	305.2	56,000	71.0	302.9	54,800*	72.8	298.3	36,600*	130
140	67.2	300.8	49,800	69.0	298.5	51,400	70.8	293.9	35,500*	140
150	65.2	296.1	44,500	67.0	293.7	45,900	68.7	289.0	34,400*	150
160	63.2	290.8	39,800	65.0	288.5	41,100	66.7	283.7	33,400*	160
170	61.2	285.2	35,800	63.0	282.8	37,000	64.6	277.8	32,500*	170
180	59.1	279.0	32,200	60.8	276.6	33,300	62.4	271.5	31,700*	180
190	57.0	272.4	29,000	58.7	269.8	30,000	60.2	264.7	30,900*	190
200	54.8	265.1	25,500*	56.5	262.5	27,100	58.0	257.2	27,900	200
210	52.5	257.3	22,200*	54.2	254.6	23,800*	55.6	249.1	25,100*	210
220	50.2	248.8	19,100*	51.8	246.0	20,600*	53.2	240.3	21,700*	220
230	47.7	239.5	16,300*	49.4	236.6	17,600*	50.7	230.7	18,600*	230
240	45.2	229.5	13,800*	46.8	226.4	14,900*	48.1	220.2	15,800*	240
250	42.6	218.4	11,400*	44.1	215.2	12,400*				250
260	39.8	206.2	9,200*	41.3	202.8	10,100*				260
270	36.8	192.7	7,200*	38.2	189.1	8,000*				270
280	33.5	177.6	5,300*	34.9	173.6	5,900*				280





# Liftcrane Jib Capacities

Meets  
ANSI B30.5  
Requirements

# M-250 SERIES 3

Jib No. 132 with 20 Ft. Strut on  
Boom No. 44 With Heavy Lift Top  
248,700 Lb. Crane Counterweight  
120,000 Lb. Carbody Counterweight  
360 Degree Rating

## 80 Ft. JIB

Jib Oper. Rad. Feet	5 Degree Offset			15 Degree Offset			30 Degree Offset			Jib Oper. Rad. Feet
	Boom Ang. Deg.	Jib Point Elev. Feet	Jib Capacity Pounds	Boom Ang. Deg.	Jib Point Elev. Feet	Jib Capacity Pounds	Boom Ang. Deg.	Jib Point Elev. Feet	Jib Capacity Pounds	
<b>130 Ft. BOOM</b>										
55	80.2	214.2	51,500*							55
60	78.8	213.0	50,400*							60
65	77.4	211.6	49,400*							65
70	76.0	210.1	48,400*	79.8	207.9	44,000*				70
75	74.5	208.5	47,400*	78.4	206.2	43,200*				75
80	73.1	206.7	46,500*	76.9	204.4	42,500*	80.9	199.8	33,900*	80
85	71.7	204.7	45,600*	75.5	202.5	41,800*	79.4	197.8	32,800*	85
90	70.2	202.7	44,800*	74.0	200.4	41,100*	77.9	195.7	31,700*	90
95	68.7	200.5	44,000*	72.5	198.1	40,500*	76.3	193.4	30,800*	95
100	67.2	198.1	43,200*	71.0	195.7	39,900*	74.8	190.9	29,900*	100
105	65.7	195.5	42,500*	69.5	193.1	39,300*	73.2	188.3	29,000*	105
110	64.2	192.8	41,800*	67.9	190.4	38,700*	71.6	185.4	28,300*	110
115	62.6	189.9	41,100*	66.3	187.5	38,200*	70.0	182.4	27,500*	115
120	61.0	186.9	40,500*	64.7	184.4	37,700*	68.3	179.2	26,800*	120
125	59.4	183.6	39,800*	63.1	181.0	37,200*	66.6	175.8	26,200*	125
130	57.7	180.1	39,200*	61.4	177.5	36,800*	64.9	172.1	25,600*	130
140	54.3	172.5	38,100*	57.9	169.7	34,900*	61.3	164.1	24,400*	140
150	50.8	163.8	37,100*	54.3	160.9	33,000*	57.5	155.0	23,500*	150
160	47.0	154.0	36,200*	50.4	150.9	31,200*	53.5	144.5	22,600*	160
170	42.9	142.7	35,400*	46.2	139.3	29,700*	49.1	132.4	21,800*	170
180	38.4	129.5	33,400*	41.6	125.8	28,400*				180
190	33.4	113.8	31,600*	36.4	109.5	27,300*				190



# Liftcrane Jib Capacities

# M-250 SERIES 3

Meets ANSI B30.5 Requirements
-------------------------------------

Jib No. 132 with 20 Ft. Strut on  
 Boom No. 44 With Heavy Lift Top  
 248,700 Lb. Crane Counterweight  
 120,000 Lb. Carbody Counterweight  
 360 Degree Rating

## 80 Ft. JIB

Jib Oper. Rad. Feet	5 Degree Offset			15 Degree Offset			30 Degree Offset			Jib Oper. Rad. Feet
	Boom Ang. Deg.	Jib Point Elev. Feet	Jib Capacity Pounds	Boom Ang. Deg.	Jib Point Elev. Feet	Jib Capacity Pounds	Boom Ang. Deg.	Jib Point Elev. Feet	Jib Capacity Pounds	
<b>140 Ft. BOOM</b>										
55	80.6	224.4	51,900*							55
60	79.3	223.3	50,800*							60
65	78.0	222.0	49,800*							65
70	76.6	220.5	48,800*	80.3	218.3	44,200*				70
75	75.3	219.0	47,900*	79.0	216.7	43,500*				75
80	73.9	217.3	47,000*	77.6	215.0	42,800*				80
85	72.5	215.5	46,200*	76.2	213.1	42,100*	79.9	208.4	33,100*	85
90	71.1	213.5	45,400*	74.8	211.1	41,500*	78.5	206.4	32,100*	90
95	69.7	211.4	44,600*	73.4	209.0	40,800*	77.0	204.2	31,200*	95
100	68.3	209.1	43,800*	71.9	206.7	40,200*	75.6	201.8	30,300*	100
105	66.9	206.7	43,100*	70.5	204.3	39,700*	74.1	199.4	29,500*	105
110	65.4	204.2	42,400*	69.0	201.7	39,100*	72.6	196.7	28,700*	110
115	64.0	201.5	41,700*	67.5	199.0	38,600*	71.0	193.9	28,000*	115
120	62.5	198.6	41,100*	66.0	196.0	38,100*	69.5	190.9	27,300*	120
125	61.0	195.5	40,500*	64.5	192.9	37,600*	67.9	187.7	26,700*	125
130	59.4	192.3	39,900*	62.9	189.6	37,200*	66.3	184.3	26,100*	130
140	56.3	185.1	38,700*	59.7	182.4	36,000*	63.0	176.8	24,900*	140
150	52.9	177.1	37,700*	56.3	174.3	34,000*	59.5	168.4	23,900*	150
160	49.5	168.1	36,800*	52.8	165.1	32,300*	55.8	158.8	23,100*	160
170	45.8	157.9	35,900*	49.0	154.7	30,700*	51.9	147.9	22,300*	170
180	41.8	146.2	34,900*	44.9	142.7	29,300*	47.6	135.3	21,600*	180
190	37.4	132.6	33,000*	40.5	128.7	28,100*				190
200	32.5	116.4	30,400*	35.4	111.9	27,100*				200



# Liftcrane Jib Capacities

**Meets  
 ANSI B30.5  
 Requirements**

# M-250 SERIES 3

**Jib No. 132 with 20 Ft. Strut on  
 Boom No. 44 With Heavy Lift Top  
 248,700 Lb. Crane Counterweight  
 120,000 Lb. Carbody Counterweight  
 360 Degree Rating**

## 80 Ft. JIB

Jib Oper. Rad. Feet	5 Degree Offset			15 Degree Offset			30 Degree Offset			Jib Oper. Rad. Feet
	Boom Ang. Deg.	Jib Point Elev. Feet	Jib Capacity Pounds	Boom Ang. Deg.	Jib Point Elev. Feet	Jib Capacity Pounds	Boom Ang. Deg.	Jib Point Elev. Feet	Jib Capacity Pounds	
<b>150 Ft. BOOM</b>										
60	79.8	233.5	51,200*							60
65	78.5	232.3	50,200*							65
70	77.2	230.9	49,300*	80.8	228.6	44,500*				70
75	75.9	229.4	48,300*	79.5	227.1	43,700*				75
80	74.6	227.8	47,500*	78.1	225.5	43,100*				80
85	73.3	226.1	46,600*	76.8	223.7	42,400*	80.4	218.9	33,500*	85
90	72.0	224.2	45,800*	75.5	221.8	41,800*	79.0	217.0	32,500*	90
95	70.7	222.2	45,100*	74.1	219.8	41,200*	77.6	214.9	31,600*	95
100	69.3	220.1	44,300*	72.8	217.7	40,600*	76.3	212.7	30,800*	100
105	68.0	217.8	43,600*	71.4	215.4	40,000*	74.8	210.3	29,900*	105
110	66.6	215.4	42,900*	70.0	212.9	39,500*	73.4	207.8	29,200*	110
115	65.2	212.8	42,300*	68.6	210.3	39,000*	72.0	205.1	28,500*	115
120	63.8	210.1	41,600*	67.2	207.5	38,500*	70.5	202.3	27,800*	120
125	62.4	207.2	41,000*	65.7	204.6	38,000*	69.0	199.3	27,100*	125
130	60.9	204.2	40,400*	64.3	201.5	37,600*	67.5	196.1	26,500*	130
140	58.0	197.5	39,300*	61.3	194.8	36,700*	64.4	189.2	25,400*	140
150	54.9	190.0	38,300*	58.1	187.2	35,000*	61.2	181.3	24,400*	150
160	51.6	181.7	37,300*	54.9	178.7	33,300*	57.8	172.5	23,500*	160
170	48.3	172.3	36,500*	51.4	169.1	31,700*	54.2	162.6	22,700*	170
180	44.7	161.7	35,700*	47.7	158.3	30,200*	50.4	151.3	22,000*	180
190	40.8	149.6	34,200*	43.7	145.9	29,000*	46.2	138.3	21,500*	190
200	36.5	135.6	30,400*	39.4	131.5	27,900*				200
210	31.7	119.0	26,900*	34.4	114.2	26,900*				210



# Liftcrane Jib Capacities

# M-250 SERIES 3

Meets  
ANSI B30.5  
Requirements

Jib No. 132 with 20 Ft. Strut on  
 Boom No. 44 With Heavy Lift Top  
 248,700 Lb. Crane Counterweight  
 120,000 Lb. Carbody Counterweight  
 360 Degree Rating

## 80 Ft. JIB

Jib Oper. Rad. Feet	5 Degree Offset			15 Degree Offset			30 Degree Offset			Jib Oper. Rad. Feet
	Boom Ang. Deg.	Jib Point Elev. Feet	Jib Capacity Pounds	Boom Ang. Deg.	Jib Point Elev. Feet	Jib Capacity Pounds	Boom Ang. Deg.	Jib Point Elev. Feet	Jib Capacity Pounds	
<b>160 Ft. BOOM</b>										
60	80.2	243.8	51,500*							60
65	79.0	242.6	50,600*							65
70	77.8	241.3	49,600*							70
75	76.5	239.9	48,800*	79.9	237.5	44,000*				75
80	75.3	238.3	47,900*	78.7	235.9	43,300*				80
85	74.0	236.7	47,100*	77.4	234.3	42,700*	80.8	229.4	33,800*	85
90	72.8	234.9	46,300*	76.1	232.5	42,100*	79.5	227.5	32,900*	90
95	71.5	233.0	45,600*	74.8	230.5	41,500*	78.2	225.5	32,000*	95
100	70.2	231.0	44,800*	73.6	228.5	40,900*	76.9	223.4	31,100*	100
105	68.9	228.8	44,100*	72.2	226.3	40,400*	75.5	221.2	30,300*	105
110	67.6	226.5	43,500*	70.9	224.0	39,800*	74.2	218.8	29,600*	110
115	66.3	224.1	42,800*	69.6	221.5	39,300*	72.8	216.3	28,900*	115
120	65.0	221.5	42,200*	68.2	218.9	38,800*	71.4	213.6	28,200*	120
125	63.6	218.8	41,600*	66.9	216.1	38,400*	70.0	210.8	27,600*	125
130	62.3	215.9	41,000*	65.5	213.2	37,900*	68.6	207.8	27,000*	130
140	59.5	209.6	39,900*	62.7	206.8	37,100*	65.7	201.2	25,900*	140
150	56.6	202.6	38,800*	59.7	199.7	36,000*	62.7	193.9	24,900*	150
160	53.6	194.8	37,900*	56.7	191.8	34,200*	59.5	185.8	24,000*	160
170	50.4	186.1	37,000*	53.5	183.0	32,600*	56.2	176.6	23,200*	170
180	47.1	176.4	36,200*	50.1	173.1	31,100*	52.7	166.3	22,500*	180
190	43.6	165.4	33,900*	46.5	161.9	29,800*	49.0	154.6	21,800*	190
200	39.8	153.0	30,100*	42.6	149.1	28,700*				200
210	35.7	138.6	26,600*	38.4	134.3	27,600*				210
220	31.0	121.5	23,400*							220



# Liftcrane Jib Capacities

Meets  
**ANSI B30.5**  
 Requirements

# M-250 SERIES 3

Jib No. 132 with 20 Ft. Strut on  
 Boom No. 44 With Heavy Lift Top  
 248,700 Lb. Crane Counterweight  
 120,000 Lb. Carbody Counterweight  
 360 Degree Rating

## 80 Ft. JIB

Jib Oper. Rad. Feet	5 Degree Offset			15 Degree Offset			30 Degree Offset			Jib Oper. Rad. Feet
	Boom Ang. Deg.	Jib Point Elev. Feet	Jib Capacity Pounds	Boom Ang. Deg.	Jib Point Elev. Feet	Jib Capacity Pounds	Boom Ang. Deg.	Jib Point Elev. Feet	Jib Capacity Pounds	
<b>170 Ft. BOOM</b>										
60	80.6	254.0	51,800*							60
65	79.4	252.9	50,900*							65
70	78.3	251.6	50,000*							70
75	77.1	250.3	49,200*	80.3	247.8	44,200*				75
80	75.9	248.8	48,300*	79.1	246.4	43,600*				80
85	74.7	247.2	47,500*	77.9	244.8	43,000*				85
90	73.5	245.5	46,800*	76.7	243.0	42,400*	80.0	238.0	33,200*	90
95	72.3	243.7	46,000*	75.5	241.2	41,800*	78.7	236.1	32,300*	95
100	71.1	241.8	45,300*	74.3	239.2	41,200*	77.5	234.1	31,500*	100
105	69.8	239.7	44,600*	73.0	237.2	40,700*	76.2	232.0	30,700*	105
110	68.6	237.5	43,900*	71.8	234.9	40,200*	74.9	229.7	30,000*	110
115	67.3	235.2	43,300*	70.5	232.6	39,700*	73.6	227.3	29,300*	115
120	66.1	232.7	42,700*	69.2	230.1	39,200*	72.3	224.8	28,600*	120
125	64.8	230.1	42,100*	67.9	227.5	38,700*	71.0	222.1	28,000*	125
130	63.5	227.4	41,500*	66.6	224.7	38,300*	69.6	219.3	27,400*	130
140	60.8	221.5	40,400*	63.9	218.7	37,500*	66.9	213.1	26,300*	140
150	58.1	214.9	39,400*	61.1	212.0	36,700*	64.0	206.2	25,300*	150
160	55.3	207.6	38,400*	58.3	204.6	35,100*	61.1	198.6	24,400*	160
170	52.4	199.5	37,500*	55.3	196.4	33,500*	58.0	190.1	23,600*	170
180	49.3	190.4	36,700*	52.2	187.2	32,000*	54.8	180.6	22,900*	180
190	46.1	180.4	34,000*	48.9	177.0	30,700*	51.3	169.9	22,200*	190
200	42.6	169.1	30,200*	45.4	165.4	29,500*	47.7	157.8	21,700*	200
210	38.9	156.2	26,800*	41.6	152.2	28,000*				210
220	34.9	141.4	23,600*	37.4	137.0	24,600*				220
230	30.3	123.9	20,700*							230



# Liftcrane Jib Capacities

Meets  
ANSI B30.5  
Requirements

## M-250 SERIES 3

**Jib No. 132 with 20 Ft. Strut on  
 Boom No. 44 With Heavy Lift Top  
 248,700 Lb. Crane Counterweight  
 120,000 Lb. Carbody Counterweight  
 360 Degree Rating**

### 80 Ft. JIB

Jib Oper. Rad. Feet	5 Degree Offset			15 Degree Offset			30 Degree Offset			Jib Oper. Rad. Feet
	Boom Ang. Deg.	Jib Point Elev. Feet	Jib Capacity Pounds	Boom Ang. Deg.	Jib Point Elev. Feet	Jib Capacity Pounds	Boom Ang. Deg.	Jib Point Elev. Feet	Jib Capacity Pounds	
<b>180 Ft. BOOM</b>										
60	81.0	264.2	52,100*							60
65	79.8	263.1	51,200*							65
70	78.7	261.9	50,400*							70
75	77.6	260.6	49,500*	80.7	258.2	44,400*				75
80	76.5	259.2	48,700*	79.6	256.7	43,800*				80
85	75.3	257.7	47,900*	78.4	255.2	43,200*				85
90	74.2	256.1	47,200*	77.3	253.6	42,600*	80.4	248.5	33,500*	90
95	73.0	254.3	46,400*	76.1	251.8	42,000*	79.2	246.7	32,700*	95
100	71.8	252.5	45,700*	74.9	249.9	41,500*	78.0	244.8	31,900*	100
105	70.7	250.5	45,100*	73.7	247.9	41,000*	76.8	242.7	31,100*	105
110	69.5	248.4	44,400*	72.5	245.8	40,500*	75.5	240.6	30,400*	110
115	68.3	246.2	43,800*	71.3	243.6	40,000*	74.3	238.3	29,700*	115
120	67.1	243.9	43,200*	70.1	241.2	39,500*	73.1	235.9	29,000*	120
125	65.8	241.4	42,600*	68.8	238.7	39,100*	71.8	233.3	28,400*	125
130	64.6	238.8	42,000*	67.6	236.1	38,600*	70.5	230.6	27,800*	130
140	62.1	233.2	40,900*	65.1	230.4	37,800*	67.9	224.7	26,700*	140
150	59.5	226.9	39,900*	62.4	224.1	37,000*	65.2	218.3	25,700*	150
160	56.9	220.0	38,900*	59.7	217.1	36,100*	62.5	211.1	24,800*	160
170	54.1	212.4	38,000*	57.0	209.4	34,400*	59.6	203.1	24,000*	170
180	51.2	204.0	36,900	54.0	200.8	32,900*	56.6	194.3	23,300*	180
190	48.3	194.7	33,600*	51.0	191.3	31,500*	53.4	184.4	22,600*	190
200	45.1	184.3	29,800*	47.8	180.7	30,300*	50.1	173.4	22,000*	200
210	41.7	172.6	26,400*	44.3	168.8	27,700*	46.5	160.9	21,500*	210
220	38.1	159.4	23,200*	40.6	155.3	24,400*				220
230	34.1	144.3	20,400*	36.5	139.6	21,300*				230
240	29.6	126.3	17,600*							240





# Liftcrane Jib Capacities

Meets  
ANSI B30.5  
Requirements

# M-250 SERIES 3

Jib No. 132 with 20 Ft. Strut on  
Boom No. 44 With Heavy Lift Top  
248,700 Lb. Crane Counterweight  
120,000 Lb. Carbody Counterweight  
360 Degree Rating

## 80 Ft. JIB

Jib Oper. Rad. Feet	5 Degree Offset			15 Degree Offset			30 Degree Offset			Jib Oper. Rad. Feet
	Boom Ang. Deg.	Jib Point Elev. Feet	Jib Capacity Pounds	Boom Ang. Deg.	Jib Point Elev. Feet	Jib Capacity Pounds	Boom Ang. Deg.	Jib Point Elev. Feet	Jib Capacity Pounds	
<b>190 Ft. BOOM</b>										
65	80.2	273.4	51,500*							65
70	79.1	272.2	50,700*							70
75	78.1	271.0	49,900*							75
80	77.0	269.6	49,100*	80.0	267.1	44,000*				80
85	75.9	268.2	48,300*	78.9	265.6	43,400*				85
90	74.8	266.6	47,600*	77.7	264.1	42,800*	80.8	258.9	33,800*	90
95	73.7	264.9	46,800*	76.6	262.4	42,300*	79.6	257.2	33,000*	95
100	72.5	263.2	46,200*	75.5	260.6	41,800*	78.5	255.3	32,200*	100
105	71.4	261.3	45,500*	74.4	258.7	41,300*	77.3	253.4	31,400*	105
110	70.3	259.3	44,800*	73.2	256.6	40,800*	76.1	251.3	30,700*	110
115	69.1	257.1	44,200*	72.0	254.5	40,300*	75.0	249.1	30,000*	115
120	68.0	254.9	43,600*	70.9	252.2	39,800*	73.8	246.8	29,400*	120
125	66.8	252.6	43,000*	69.7	249.9	39,400*	72.6	244.4	28,800*	125
130	65.6	250.1	42,500*	68.5	247.3	38,900*	71.3	241.8	28,200*	130
140	63.2	244.7	41,400*	66.1	241.9	38,100*	68.9	236.3	27,100*	140
150	60.8	238.8	40,400*	63.6	235.9	37,400*	66.3	230.1	26,100*	150
160	58.3	232.2	39,400*	61.1	229.3	36,700*	63.7	223.3	25,200*	160
170	55.7	225.1	38,500*	58.4	222.0	35,200*	61.0	215.8	24,400*	170
180	53.0	217.2	36,300	55.7	214.0	33,700*	58.2	207.5	23,600*	180
190	50.2	208.4	33,100	52.9	205.1	32,300*	55.2	198.4	23,000*	190
200	47.3	198.8	29,500*	49.9	195.3	31,000*	52.1	188.2	22,400*	200
210	44.2	188.1	26,000*	46.7	184.4	27,500*	48.9	176.8	21,800*	210
220	40.9	176.1	22,900*	43.4	172.2	24,200*				220
230	37.3	162.6	20,100*	39.7	158.3	21,100*				230
240	33.4	147.0	17,400*	35.7	142.2	18,300*				240
250	29.0	128.6	14,900*							250



# Liftcrane Jib Capacities

# M-250 SERIES 3

Meets  
ANSI B30.5  
Requirements

Jib No. 132 with 20 Ft. Strut on  
 Boom No. 44 With Heavy Lift Top  
 248,700 Lb. Crane Counterweight  
 120,000 Lb. Carbody Counterweight  
 360 Degree Rating

## 80 Ft. JIB

Jib Oper. Rad. Feet	5 Degree Offset			15 Degree Offset			30 Degree Offset			Jib Oper. Rad. Feet
	Boom Ang. Deg.	Jib Point Elev. Feet	Jib Capacity Pounds	Boom Ang. Deg.	Jib Point Elev. Feet	Jib Capacity Pounds	Boom Ang. Deg.	Jib Point Elev. Feet	Jib Capacity Pounds	
<b>200 Ft. BOOM</b>										
65	80.6	283.6	51,800*							65
70	79.5	282.5	51,000*							70
75	78.5	281.3	50,200*							75
80	77.4	280.0	49,400*	80.3	277.4	44,200*				80
85	76.4	278.6	48,700*	79.3	276.0	43,600*				85
90	75.3	277.1	47,900*	78.2	274.5	43,100*				90
95	74.3	275.5	47,200*	77.1	272.9	42,500*	80.0	267.6	33,300*	95
100	73.2	273.8	46,600*	76.0	271.2	42,000*	78.9	265.9	32,500*	100
105	72.1	272.0	45,900*	74.9	269.3	41,500*	77.8	264.0	31,700*	105
110	71.0	270.0	45,300*	73.8	267.4	41,000*	76.7	262.0	31,000*	110
115	69.9	268.0	44,600*	72.7	265.3	40,600*	75.5	259.9	30,400*	115
120	68.8	265.9	44,100*	71.6	263.2	40,100*	74.4	257.7	29,700*	120
125	67.7	263.6	43,500*	70.5	260.9	39,700*	73.2	255.4	29,100*	125
130	66.6	261.2	42,900*	69.4	258.5	39,200*	72.1	252.9	28,500*	130
140	64.3	256.1	41,800*	67.0	253.3	38,400*	69.7	247.6	27,500*	140
150	61.9	250.5	40,800*	64.7	247.6	37,700*	67.3	241.8	26,500*	150
160	59.6	244.2	39,900*	62.3	241.3	37,000*	64.8	235.3	25,600*	160
170	57.1	237.4	39,000*	59.8	234.4	36,100*	62.3	228.3	24,800*	170
180	54.6	230.0	35,700	57.2	226.8	34,500*	59.6	220.5	24,000*	180
190	51.9	221.8	32,500	54.5	218.5	33,100*	56.9	211.9	23,300*	190
200	49.2	212.8	29,000*	51.7	209.4	30,500	54.0	202.4	22,700*	200
210	46.3	202.8	25,500*	48.8	199.3	27,100*	51.0	191.9	22,200*	210
220	43.3	191.8	22,400*	45.7	188.0	23,800*	47.7	180.2	21,700*	220
230	40.1	179.5	19,600*	42.4	175.5	20,800*				230
240	36.6	165.6	17,000*	38.9	161.2	18,000*				240
250	32.8	149.7	14,500*	34.9	144.7	15,400*				250
260	28.4	130.9	12,200*							260



# Liftcrane Jib Capacities

Meets  
ANSI B30.5  
Requirements

# M-250 SERIES 3

Jib No. 132 with 20 Ft. Strut on  
Boom No. 44 With Heavy Lift Top  
248,700 Lb. Crane Counterweight  
120,000 Lb. Carbody Counterweight  
360 Degree Rating

## 80 Ft. JIB

Jib Oper. Rad. Feet	5 Degree Offset			15 Degree Offset			30 Degree Offset			Jib Oper. Rad. Feet
	Boom Ang. Deg.	Jib Point Elev. Feet	Jib Capacity Pounds	Boom Ang. Deg.	Jib Point Elev. Feet	Jib Capacity Pounds	Boom Ang. Deg.	Jib Point Elev. Feet	Jib Capacity Pounds	
<b>210 Ft. BOOM</b>										
65	80.9	293.8	52,100*							65
70	79.9	292.7	51,300*							70
75	78.9	291.6	50,500*							75
80	77.9	290.3	49,700*	80.7	287.7	44,400*				80
85	76.9	289.0	49,000*	79.7	286.4	43,800*				85
90	75.8	287.5	48,300*	78.6	284.9	43,300*				90
95	74.8	286.0	47,600*	77.6	283.4	42,800*	80.4	278.1	33,500*	95
100	73.8	284.3	46,900*	76.5	281.7	42,300*	79.3	276.4	32,800*	100
105	72.7	282.6	46,300*	75.5	279.9	41,800*	78.3	274.6	32,000*	105
110	71.7	280.8	45,700*	74.4	278.1	41,300*	77.2	272.7	31,300*	110
115	70.6	278.8	45,100*	73.4	276.1	40,800*	76.1	270.7	30,700*	115
120	69.6	276.7	44,500*	72.3	274.0	40,400*	75.0	268.5	30,100*	120
125	68.5	274.6	43,900*	71.2	271.8	39,900*	73.9	266.3	29,500*	125
130	67.4	272.3	43,300*	70.1	269.5	39,500*	72.8	264.0	28,900*	130
140	65.2	267.4	42,300*	67.9	264.6	38,700*	70.5	258.9	27,800*	140
150	63.0	262.0	41,300*	65.7	259.1	38,000*	68.2	253.3	26,800*	150
160	60.7	256.1	40,300*	63.4	253.1	37,300*	65.8	247.2	25,900*	160
170	58.4	249.6	38,800	61.0	246.6	36,600*	63.4	240.4	25,100*	170
180	56.0	242.5	35,200	58.5	239.4	35,300*	60.9	233.1	24,400*	180
190	53.5	234.8	32,100	56.0	231.6	33,100	58.3	225.0	23,700*	190
200	50.9	226.3	28,800*	53.4	223.0	30,200	55.6	216.1	23,100*	200
210	48.2	217.0	25,400*	50.7	213.5	27,000*	52.8	206.4	22,500*	210
220	45.4	206.8	22,300*	47.8	203.1	23,700*	49.8	195.6	22,000*	220
230	42.5	195.5	19,500*	44.8	191.6	20,700*	46.7	183.5	21,500*	230
240	39.3	182.9	16,900*	41.6	178.7	18,000*				240
250	35.9	168.7	14,400*	38.1	164.1	15,400*				250
260	32.1	152.4	12,200*	34.2	147.2	13,000*				260



# Liftcrane Jib Capacities

Meets  
**ANSI B30.5**  
 Requirements

## M-250 SERIES 3

Jib No. 132 with 20 Ft. Strut on  
 Boom No. 44 With Heavy Lift Top  
 248,700 Lb. Crane Counterweight  
 120,000 Lb. Carbody Counterweight  
 360 Degree Rating

### 80 Ft. JIB

Jib Oper. Rad. Feet	5 Degree Offset			15 Degree Offset			30 Degree Offset			Jib Oper. Rad. Feet
	Boom Ang. Deg.	Jib Point Elev. Feet	Jib Capacity Pounds	Boom Ang. Deg.	Jib Point Elev. Feet	Jib Capacity Pounds	Boom Ang. Deg.	Jib Point Elev. Feet	Jib Capacity Pounds	
<b>220 Ft. BOOM</b>										
70	80.2	303.0	51,600*							70
75	79.3	301.8	50,800*							75
80	78.3	300.6	50,000*							80
85	77.3	299.3	49,300*	80.0	296.7	44,000*				85
90	76.3	297.9	48,600*	79.0	295.3	43,500*				90
95	75.3	296.4	47,900*	78.0	293.8	43,000*	80.7	288.4	33,800*	95
100	74.3	294.9	47,300*	77.0	292.2	42,500*	79.7	286.8	33,000*	100
105	73.3	293.2	46,700*	76.0	290.5	42,000*	78.7	285.1	32,300*	105
110	72.3	291.4	46,000*	75.0	288.7	41,500*	77.6	283.3	31,600*	110
115	71.3	289.5	45,400*	74.0	286.8	41,100*	76.6	281.3	31,000*	115
120	70.3	287.6	44,900*	72.9	284.8	40,600*	75.5	279.3	30,400*	120
125	69.3	285.5	44,300*	71.9	282.7	40,200*	74.5	277.2	29,800*	125
130	68.2	283.3	43,800*	70.8	280.5	39,800*	73.4	274.9	29,200*	130
140	66.1	278.6	42,700*	68.7	275.7	39,000*	71.2	270.0	28,100*	140
150	64.0	273.4	41,700*	66.6	270.5	38,300*	69.0	264.7	27,200*	150
160	61.8	267.8	40,800*	64.4	264.8	37,600*	66.8	258.8	26,300*	160
170	59.6	261.6	38,200	62.1	258.6	36,900*	64.5	252.4	25,500*	170
180	57.3	254.8	34,600	59.8	251.7	35,800	62.1	245.4	24,700*	180
190	54.9	247.5	31,400	57.4	244.3	32,500	59.6	237.8	24,000*	190
200	52.5	239.5	28,300*	54.9	236.2	29,600	57.1	229.5	23,400*	200
210	50.0	230.8	24,900*	52.4	227.3	26,600*	54.5	220.3	22,800*	210
220	47.4	221.2	21,800*	49.7	217.6	23,300*	51.7	210.2	22,300*	220
230	44.6	210.7	18,900*	46.9	206.9	20,300*	48.8	199.1	21,500*	230
240	41.7	199.1	16,300*	43.9	195.1	17,500*				240
250	38.6	186.2	13,900*	40.7	181.8	15,000*				250
260	35.2	171.6	11,700*	37.3	166.9	12,600*				260
270	31.5	155.0	9,600*							270



# Liftcrane Jib Capacities

Meets  
ANSI B30.5  
Requirements

# M-250 SERIES 3

Jib No. 132 with 20 Ft. Strut on  
Boom No. 44 With Heavy Lift Top  
248,700 Lb. Crane Counterweight  
120,000 Lb. Carbody Counterweight  
360 Degree Rating

## 80 Ft. JIB

Jib Oper. Rad. Feet	5 Degree Offset			15 Degree Offset			30 Degree Offset			Jib Oper. Rad. Feet
	Boom Ang. Deg.	Jib Point Elev. Feet	Jib Capacity Pounds	Boom Ang. Deg.	Jib Point Elev. Feet	Jib Capacity Pounds	Boom Ang. Deg.	Jib Point Elev. Feet	Jib Capacity Pounds	
<b>230 Ft. BOOM</b>										
70	80.6	313.2	51,800*							70
75	79.6	312.1	51,100*							75
80	78.7	310.9	50,300*							80
85	77.7	309.7	49,600*	80.3	307.0	44,200*				85
90	76.8	308.3	48,900*	79.4	305.7	43,700*				90
95	75.8	306.9	48,300*	78.4	304.2	43,200*				95
100	74.9	305.4	47,600*	77.5	302.7	42,700*	80.1	297.2	33,300*	100
105	73.9	303.7	47,000*	76.5	301.0	42,200*	79.1	295.6	32,600*	105
110	72.9	302.0	46,400*	75.5	299.3	41,800*	78.1	293.8	31,900*	110
115	71.9	300.2	45,800*	74.5	297.5	41,300*	77.1	292.0	31,300*	115
120	71.0	298.3	45,200*	73.5	295.6	40,900*	76.1	290.0	30,700*	120
125	70.0	296.3	44,700*	72.5	293.5	40,500*	75.0	287.9	30,100*	125
130	69.0	294.2	44,100*	71.5	291.4	40,000*	74.0	285.8	29,500*	130
140	67.0	289.7	43,100*	69.5	286.8	39,300*	71.9	281.1	28,500*	140
150	64.9	284.7	42,100*	67.4	281.8	38,500*	69.8	276.0	27,500*	150
160	62.8	279.3	41,200*	65.3	276.3	37,900*	67.6	270.4	26,600*	160
170	60.7	273.4	37,600	63.1	270.4	37,200*	65.4	264.3	25,800*	170
180	58.5	267.0	34,000	60.9	263.9	35,300	63.2	257.6	25,000*	180
190	56.3	260.0	30,800	58.6	256.8	32,000	60.8	250.3	24,300*	190
200	53.9	252.4	27,800*	56.3	249.1	29,000	58.4	242.4	23,700*	200
210	51.6	244.1	24,400*	53.9	240.7	26,200*	56.0	233.8	23,100*	210
220	49.1	235.1	21,300*	51.4	231.6	22,900*	53.4	224.4	22,600*	220
230	46.5	225.3	18,400*	48.8	221.6	19,900*	50.6	214.0	21,200*	230
240	43.8	214.5	15,800*	46.0	210.6	17,100*	47.8	202.6	18,200*	240
250	40.9	202.6	13,500*	43.1	198.5	14,600*				250
260	37.9	189.4	11,200*	40.0	184.9	12,200*				260
270	34.6	174.5	9,200*	36.6	169.7	10,000*				270
280	31.0	157.5	7,200*							280



# Liftcrane Jib Capacities

# M-250 SERIES 3

Meets  
ANSI B30.5  
Requirements

Jib No. 132 with 20 Ft. Strut on  
 Boom No. 44 With Heavy Lift Top  
 248,700 Lb. Crane Counterweight  
 120,000 Lb. Carbody Counterweight  
 360 Degree Rating

## 80 Ft. JIB

Jib Oper. Rad. Feet	5 Degree Offset			15 Degree Offset			30 Degree Offset			Jib Oper. Rad. Feet
	Boom Ang. Deg.	Jib Point Elev. Feet	Jib Capacity Pounds	Boom Ang. Deg.	Jib Point Elev. Feet	Jib Capacity Pounds	Boom Ang. Deg.	Jib Point Elev. Feet	Jib Capacity Pounds	
<b>240 Ft. BOOM</b>										
70	80.9	323.4	52,100*							70
75	80.0	322.3	51,300*							75
80	79.0	321.2	50,600*							80
85	78.1	320.0	49,900*	80.7	317.3	44,400*				85
90	77.2	318.7	49,200*	79.7	316.0	43,900*				90
95	76.3	317.3	48,600*	78.8	314.6	43,400*				95
100	75.3	315.8	48,000*	77.9	313.1	42,900*	80.4	307.6	33,600*	100
105	74.4	314.3	47,300*	76.9	311.5	42,400*	79.4	306.0	32,900*	105
110	73.5	312.6	46,700*	76.0	309.9	42,000*	78.5	304.3	32,200*	110
115	72.5	310.9	46,200*	75.0	308.1	41,500*	77.5	302.5	31,600*	115
120	71.6	309.0	45,600*	74.1	306.2	41,100*	76.5	300.6	31,000*	120
125	70.6	307.1	45,000*	73.1	304.3	40,700*	75.5	298.7	30,400*	125
130	69.7	305.1	44,500*	72.1	302.2	40,300*	74.6	296.6	29,800*	130
140	67.7	300.7	43,500*	70.2	297.8	39,500*	72.6	292.1	28,800*	140
150	65.8	295.9	42,500*	68.2	293.0	38,800*	70.5	287.2	27,800*	150
160	63.7	290.7	41,000	66.1	287.8	38,100*	68.4	281.8	26,900*	160
170	61.7	285.1	36,900	64.1	282.0	37,500*	66.3	275.9	26,100*	170
180	59.6	278.9	33,300	62.0	275.8	34,700	64.2	269.6	25,400*	180
190	57.5	272.2	30,100	59.8	269.1	31,400	61.9	262.7	24,700*	190
200	55.3	265.0	27,300*	57.6	261.7	28,400	59.7	255.2	24,000*	200
210	53.0	257.2	23,800*	55.3	253.8	25,700*	57.3	247.0	23,400*	210
220	50.7	248.6	20,700*	52.9	245.2	22,400*	54.9	238.1	22,900*	220
230	48.2	239.4	17,800*	50.4	235.8	19,400*	52.3	228.4	20,700*	230
240	45.7	229.3	15,200*	47.9	225.5	16,600*	49.7	217.8	17,800*	240
250	43.1	218.2	12,900*	45.2	214.2	14,100*	46.8	206.1	15,100*	250
260	40.2	206.1	10,600*	42.3	201.8	11,800*				260
270	37.3	192.6	8,600*	39.2	188.0	9,600*				270
280	34.0	177.4	6,700*	35.9	172.4	7,500*				280
290	30.5	160.1	4,800*							290



# Liftcrane Jib Capacities

Meets  
ANSI B30.5  
Requirements

# M-250 SERIES 3

Jib No. 132 with 20 Ft. Strut on  
Boom No. 44 With Heavy Lift Top  
248,700 Lb. Crane Counterweight  
120,000 Lb. Carbody Counterweight  
360 Degree Rating

## 80 Ft. JIB

Jib Oper. Rad. Feet	5 Degree Offset			15 Degree Offset			30 Degree Offset			Jib Oper. Rad. Feet
	Boom Ang. Deg.	Jib Point Elev. Feet	Jib Capacity Pounds	Boom Ang. Deg.	Jib Point Elev. Feet	Jib Capacity Pounds	Boom Ang. Deg.	Jib Point Elev. Feet	Jib Capacity Pounds	
<b>250 Ft. BOOM</b>										
75	80.3	332.5	51,600*							75
80	79.4	331.4	50,900*							80
85	78.5	330.3	50,200*	80.9	327.6	44,500*				85
90	77.6	329.0	49,500*	80.1	326.3	44,000*				90
95	76.7	327.7	48,900*	79.1	324.9	43,500*				95
100	75.8	326.2	48,300*	78.2	323.5	43,100*	80.7	318.0	33,800*	100
105	74.9	324.7	47,700*	77.3	322.0	42,600*	79.8	316.5	33,100*	105
110	74.0	323.1	47,100*	76.4	320.4	42,200*	78.8	314.8	32,500*	110
115	73.1	321.4	46,500*	75.5	318.7	41,700*	77.9	313.1	31,800*	115
120	72.2	319.7	45,900*	74.6	316.9	41,300*	77.0	311.3	31,200*	120
125	71.2	317.8	45,400*	73.6	315.0	40,900*	76.0	309.3	30,700*	125
130	70.3	315.8	44,900*	72.7	313.0	40,500*	75.1	307.3	30,100*	130
140	68.4	311.6	43,900*	70.8	308.8	39,800*	73.1	303.0	29,100*	140
150	66.5	307.0	42,900*	68.9	304.1	39,100*	71.2	298.3	28,100*	150
160	64.6	302.0	41,400	66.9	299.1	38,400*	69.2	293.1	27,200*	160
170	62.6	296.6	37,300	65.0	293.6	37,800*	67.2	287.5	26,400*	170
180	60.6	290.7	33,700	62.9	287.6	35,100	65.1	281.4	25,700*	180
190	58.6	284.3	30,500	60.9	281.2	31,800	63.0	274.8	25,000*	190
200	56.5	277.4	27,600	58.7	274.2	28,800	60.8	267.6	24,300*	200
210	54.3	269.9	24,700*	56.5	266.6	26,100	58.5	259.9	23,700*	210
220	52.1	261.8	21,500*	54.3	258.4	23,300*	56.2	251.4	23,200*	220
230	49.8	253.1	18,700*	52.0	249.5	20,300*	53.8	242.3	21,700*	230
240	47.4	243.6	16,100*	49.5	239.9	17,500*	51.3	232.3	18,800*	240
250	44.9	233.2	13,700*	47.0	229.3	15,000*	48.7	221.4	16,100*	250
260	42.3	221.9	11,500*	44.4	217.8	12,700*	46.0	209.5	13,600*	260
270	39.6	209.5	9,500*	41.5	205.1	10,500*				270
280	36.6	195.7	7,600*	38.5	191.0	8,500*				280
290	33.5	180.2	5,800*	35.3	175.1	6,500*				290
300	29.9	162.5	4,100*							300





# Liftcrane Jib Capacities

# M-250 SERIES 3

Meets  
ANSI B30.5  
Requirements

**Jib No. 132 with 20 Ft. Strut on  
 Boom No. 44 With Heavy Lift Top  
 248,700 Lb. Crane Counterweight  
 120,000 Lb. Carbody Counterweight  
 360 Degree Rating**

## 80 Ft. JIB

Jib Oper. Rad. Feet	5 Degree Offset			15 Degree Offset			30 Degree Offset			Jib Oper. Rad. Feet
	Boom Ang. Deg.	Jib Point Elev. Feet	Jib Capacity Pounds	Boom Ang. Deg.	Jib Point Elev. Feet	Jib Capacity Pounds	Boom Ang. Deg.	Jib Point Elev. Feet	Jib Capacity Pounds	
<b>260 Ft. BOOM</b>										
75	80.5	342.8	51,800*							75
80	79.7	341.7	51,100*							80
85	78.8	340.5	50,400*							85
90	78.0	339.3	49,800*	80.4	336.6	44,200*				90
95	77.1	338.0	49,200*	79.5	335.3	43,700*				95
100	76.2	336.6	48,600*	78.6	333.9	43,300*	81.0	328.4	34,000*	100
105	75.4	335.2	48,000*	77.7	332.4	42,800*	80.1	326.9	33,300*	105
110	74.5	333.6	47,400*	76.8	330.9	42,400*	79.2	325.3	32,700*	110
115	73.6	332.0	46,800*	75.9	329.2	42,000*	78.3	323.6	32,100*	115
120	72.7	330.3	46,300*	75.1	327.5	41,500*	77.4	321.8	31,500*	120
125	71.8	328.5	45,700*	74.2	325.7	41,100*	76.5	320.0	30,900*	125
130	70.9	326.6	45,200*	73.2	323.7	40,800*	75.5	318.0	30,400*	130
140	69.1	322.5	44,200*	71.4	319.6	40,000*	73.7	313.9	29,400*	140
150	67.3	318.1	43,300*	69.6	315.2	39,300*	71.8	309.3	28,400*	150
160	65.4	313.3	40,700	67.7	310.3	38,600*	69.9	304.3	27,500*	160
170	63.5	308.0	36,700	65.8	305.0	38,000*	67.9	298.9	26,700*	170
180	61.6	302.4	33,100	63.8	299.3	34,500	65.9	293.1	26,000*	180
190	59.6	296.2	29,900	61.8	293.1	31,200	63.9	286.7	25,300*	190
200	57.6	289.6	27,000	59.8	286.4	28,200	61.8	279.9	24,600*	200
210	55.6	282.5	24,100*	57.7	279.2	25,600	59.7	272.5	24,000*	210
220	53.4	274.8	20,900*	55.6	271.4	22,700*	57.5	264.5	23,500*	220
230	51.3	266.5	18,100*	53.4	262.9	19,700*	55.2	255.8	21,200*	230
240	49.0	257.5	15,500*	51.1	253.8	17,000*	52.9	246.4	18,300*	240
250	46.7	247.7	13,100*	48.7	243.9	14,500*	50.4	236.2	15,600*	250
260	44.2	237.1	10,900*	46.2	233.1	12,100*	47.8	225.0	13,100*	260
270	41.7	225.5	8,900*	43.6	221.3	10,000*				270
280	38.9	212.8	7,000*	40.8	208.4	7,900*				280
290	36.0	198.7	5,200*	37.9	193.9	6,000*				290
300				34.6	177.7	4,200*				300



# Liftcrane Jib Capacities

Meets ANSI B30.5 Requirements
-------------------------------------

# M-250 SERIES 3

Jib No. 132 with 20 Ft. Strut on  
 Boom No. 44 With Heavy Lift Top  
 248,700 Lb. Crane Counterweight  
 120,000 Lb. Carbody Counterweight  
 360 Degree Rating

## 100 Ft. JIB

Jib Oper. Rad. Feet	5 Degree Offset			15 Degree Offset			30 Degree Offset			Jib Oper. Rad. Feet
	Boom Ang. Deg.	Jib Point Elev. Feet	Jib Capacity Pounds	Boom Ang. Deg.	Jib Point Elev. Feet	Jib Capacity Pounds	Boom Ang. Deg.	Jib Point Elev. Feet	Jib Capacity Pounds	
<b>130 Ft. BOOM</b>										
60	80.1	233.6	40,500*							60
65	78.9	232.4	39,600*							65
70	77.6	231.0	38,800*							70
75	76.3	229.5	38,000*	80.8	227.1	34,500*				75
80	75.0	227.9	37,300*	79.4	225.5	33,900*				80
85	73.7	226.2	36,500*	78.1	223.8	33,200*				85
90	72.4	224.3	35,800*	76.8	221.9	32,500*				90
95	71.0	222.3	35,100*	75.4	219.9	31,800*	80.3	215.2	26,800*	95
100	69.7	220.2	34,400*	74.1	217.7	31,200*	78.9	213.0	26,100*	100
105	68.3	217.9	33,800*	72.7	215.4	30,500*	77.5	210.7	25,400*	105
110	67.0	215.5	33,100*	71.3	213.0	29,900*	76.1	208.2	24,600*	110
115	65.6	212.9	32,300*	69.9	210.3	29,300*	74.6	205.6	24,000*	115
120	64.2	210.2	31,700*	68.5	207.6	28,800*	73.2	202.8	23,300*	120
125	62.7	207.3	31,000*	67.0	204.7	28,200*	71.7	199.8	22,700*	125
130	61.3	204.2	30,300*	65.6	201.6	27,700*	70.2	196.7	22,100*	130
140	58.3	197.6	29,100*	62.6	194.8	26,700*	67.1	189.8	21,100*	140
150	55.2	190.1	27,900*	59.4	187.2	25,700*	63.9	182.1	20,100*	150
160	52.0	181.8	26,800*	56.2	178.7	24,800*	60.5	173.4	19,300*	160
170	48.6	172.4	25,800*	52.7	169.2	24,100*	56.9	163.6	18,500*	170
180	45.0	161.8	24,900*	49.0	158.4	23,200*	53.1	152.4	17,800*	180
190	41.2	149.7	24,000*	45.1	146.0	22,100*	49.0	139.6	17,200*	190
200	36.9	135.8	23,200*	40.7	131.6	21,100*				200
210	32.1	119.1	22,600*	35.7	114.3	20,300*				210



# Liftcrane Jib Capacities

# M-250 SERIES 3

Meets  
ANSI B30.5  
Requirements

Jib No. 132 with 20 Ft. Strut on  
 Boom No. 44 With Heavy Lift Top  
 248,700 Lb. Crane Counterweight  
 120,000 Lb. Carbody Counterweight  
 360 Degree Rating

## 100 Ft. JIB

Jib Oper. Rad. Feet	5 Degree Offset			15 Degree Offset			30 Degree Offset			Jib Oper. Rad. Feet
	Boom Ang. Deg.	Jib Point Elev. Feet	Jib Capacity Pounds	Boom Ang. Deg.	Jib Point Elev. Feet	Jib Capacity Pounds	Boom Ang. Deg.	Jib Point Elev. Feet	Jib Capacity Pounds	
<b>140 Ft. BOOM</b>										
60	80.5	243.9	40,800*							60
65	79.3	242.7	39,900*							65
70	78.1	241.4	39,100*							70
75	76.9	239.9	38,400*							75
80	75.6	238.4	37,600*	79.9	236.0	34,100*				80
85	74.4	236.8	36,900*	78.6	234.3	33,500*				85
90	73.1	235.0	36,200*	77.4	232.5	32,800*				90
95	71.9	233.1	35,600*	76.1	230.6	32,100*	80.7	225.7	26,900*	95
100	70.6	231.0	34,900*	74.8	228.5	31,500*	79.4	223.7	26,500*	100
105	69.3	228.9	34,200*	73.5	226.3	30,900*	78.1	221.5	25,700*	105
110	68.0	226.6	33,600*	72.2	224.0	30,300*	76.7	219.1	25,000*	110
115	66.7	224.1	32,900*	70.8	221.5	29,700*	75.4	216.6	24,300*	115
120	65.3	221.6	32,200*	69.5	218.9	29,200*	74.0	214.0	23,700*	120
125	64.0	218.8	31,600*	68.1	216.1	28,600*	72.6	211.1	23,100*	125
130	62.6	215.9	30,900*	66.7	213.2	28,100*	71.2	208.2	22,500*	130
140	59.8	209.7	29,700*	63.9	206.8	27,100*	68.3	201.7	21,500*	140
150	56.9	202.7	28,500*	61.0	199.8	26,200*	65.3	194.5	20,500*	150
160	53.9	194.9	27,400*	57.9	191.9	25,300*	62.1	186.4	19,700*	160
170	50.8	186.2	26,400*	54.7	183.0	24,500*	58.8	177.4	18,900*	170
180	47.5	176.5	25,500*	51.4	173.1	23,800*	55.3	167.2	18,200*	180
190	44.0	165.5	24,600*	47.8	161.9	22,800*	51.6	155.6	17,600*	190
200	40.2	153.1	23,800*	43.9	149.1	21,800*	47.5	142.3	17,100*	200
210	36.0	138.7	23,100*	39.6	134.3	20,900*				210
220	31.3	121.6	22,500*	34.7	116.5	20,100*				220



# Liftcrane Jib Capacities

Meets  
ANSI B30.5  
Requirements

# M-250 SERIES 3

Jib No. 132 with 20 Ft. Strut on  
Boom No. 44 With Heavy Lift Top  
248,700 Lb. Crane Counterweight  
120,000 Lb. Carbody Counterweight  
360 Degree Rating

## 100 Ft. JIB

Jib Oper. Rad. Feet	5 Degree Offset			15 Degree Offset			30 Degree Offset			Jib Oper. Rad. Feet
	Boom Ang. Deg.	Jib Point Elev. Feet	Jib Capacity Pounds	Boom Ang. Deg.	Jib Point Elev. Feet	Jib Capacity Pounds	Boom Ang. Deg.	Jib Point Elev. Feet	Jib Capacity Pounds	
<b>150 Ft. BOOM</b>										
60	80.9	254.1	41,000*							60
65	79.8	252.9	40,200*							65
70	78.6	251.7	39,500*							70
75	77.4	250.3	38,700*							75
80	76.2	248.9	38,000*	80.3	246.3	34,300*				80
85	75.0	247.3	37,300*	79.1	244.7	33,700*				85
90	73.8	245.6	36,600*	77.9	243.0	33,100*				90
95	72.6	243.8	36,000*	76.7	241.2	32,400*				95
100	71.4	241.8	35,300*	75.4	239.2	31,800*	79.9	234.3	26,600*	100
105	70.2	239.8	34,700*	74.2	237.1	31,200*	78.6	232.1	26,000*	105
110	68.9	237.6	34,100*	72.9	234.9	30,700*	77.3	229.9	25,300*	110
115	67.7	235.3	33,400*	71.7	232.6	30,100*	76.0	227.5	24,600*	115
120	66.4	232.8	32,800*	70.4	230.1	29,500*	74.7	225.0	24,000*	120
125	65.1	230.2	32,100*	69.1	227.5	29,000*	73.4	222.4	23,400*	125
130	63.8	227.5	31,500*	67.8	224.7	28,500*	72.1	219.5	22,900*	130
140	61.2	221.5	30,300*	65.1	218.7	27,500*	69.3	213.4	21,800*	140
150	58.5	215.0	29,100*	62.3	212.0	26,600*	66.5	206.6	20,900*	150
160	55.6	207.6	28,000*	59.5	204.6	25,700*	63.5	199.1	20,000*	160
170	52.7	199.5	27,000*	56.5	196.4	24,900*	60.5	190.7	19,300*	170
180	49.6	190.5	26,100*	53.4	187.2	24,200*	57.2	181.3	18,600*	180
190	46.4	180.5	25,200*	50.1	176.9	23,500*	53.8	170.7	18,000*	190
200	43.0	169.2	24,400*	46.6	165.4	22,500*	50.2	158.7	17,400*	200
210	39.3	156.4	23,600*	42.8	152.2	21,600*	46.2	145.0	16,900*	210
220	35.2	141.6	23,000*	38.6	136.9	20,700*				220
230	30.6	124.1	22,400*	33.8	118.7	20,000*				230



# Liftcrane Jib Capacities

# M-250 SERIES 3

Meets  
ANSI B30.5  
Requirements

Jib No. 132 with 20 Ft. Strut on  
 Boom No. 44 With Heavy Lift Top  
 248,700 Lb. Crane Counterweight  
 120,000 Lb. Carbody Counterweight  
 360 Degree Rating

## 100 Ft. JIB

Jib Oper. Rad. Feet	5 Degree Offset			15 Degree Offset			30 Degree Offset			Jib Oper. Rad. Feet
	Boom Ang. Deg.	Jib Point Elev. Feet	Jib Capacity Pounds	Boom Ang. Deg.	Jib Point Elev. Feet	Jib Capacity Pounds	Boom Ang. Deg.	Jib Point Elev. Feet	Jib Capacity Pounds	
<b>160 Ft. BOOM</b>										
65	80.2	263.2	40,500*							65
70	79.0	262.0	39,700*							70
75	77.9	260.7	39,000*							75
80	76.8	259.3	38,300*	80.7	256.7	34,500*				80
85	75.6	257.8	37,600*	79.6	255.2	33,900*				85
90	74.5	256.1	37,000*	78.4	253.5	33,300*				90
95	73.3	254.4	36,300*	77.2	251.8	32,700*				95
100	72.2	252.6	35,700*	76.0	249.9	32,100*	80.3	244.8	26,800*	100
105	71.0	250.6	35,100*	74.9	247.9	31,500*	79.1	242.8	26,300*	105
110	69.8	248.5	34,500*	73.7	245.8	31,000*	77.9	240.6	25,600*	110
115	68.6	246.3	33,900*	72.4	243.5	30,400*	76.6	238.4	25,000*	115
120	67.4	243.9	33,300*	71.2	241.2	29,900*	75.4	236.0	24,300*	120
125	66.2	241.5	32,600*	70.0	238.7	29,400*	74.1	233.4	23,800*	125
130	64.9	238.9	32,000*	68.7	236.0	28,800*	72.8	230.8	23,200*	130
140	62.4	233.2	30,800*	66.2	230.3	27,900*	70.2	225.0	22,200*	140
150	59.8	227.0	29,700*	63.6	224.0	27,000*	67.6	218.6	21,200*	150
160	57.2	220.1	28,600*	60.9	217.0	26,100*	64.8	211.4	20,400*	160
170	54.4	212.5	27,600*	58.1	209.3	25,300*	61.9	203.6	19,600*	170
180	51.6	204.1	26,700*	55.2	200.8	24,600*	58.9	194.8	18,900*	180
190	48.6	194.8	25,800*	52.1	191.3	23,900*	55.8	185.1	18,300*	190
200	45.4	184.4	24,900*	48.9	180.7	23,200*	52.4	174.1	17,700*	200
210	42.1	172.7	24,200*	45.5	168.8	22,200*	48.9	161.8	17,200*	210
220	38.4	159.5	23,500*	41.8	155.2	21,300*	45.0	147.7	16,800*	220
230	34.5	144.4	22,500*	37.7	139.5	20,600*				230
240	30.0	126.4	19,800*							240



# Liftcrane Jib Capacities

Meets  
**ANSI B30.5**  
 Requirements

# M-250 SERIES 3

**Jib No. 132 with 20 Ft. Strut on**  
**Boom No. 44 With Heavy Lift Top**  
**248,700 Lb. Crane Counterweight**  
**120,000 Lb. Carbody Counterweight**  
**360 Degree Rating**

## 100 Ft. JIB

Jib Oper. Rad. Feet	5 Degree Offset			15 Degree Offset			30 Degree Offset			Jib Oper. Rad. Feet
	Boom Ang. Deg.	Jib Point Elev. Feet	Jib Capacity Pounds	Boom Ang. Deg.	Jib Point Elev. Feet	Jib Capacity Pounds	Boom Ang. Deg.	Jib Point Elev. Feet	Jib Capacity Pounds	
<b>170 Ft. BOOM</b>										
65	80.5	273.4	40,800*							65
70	79.5	272.3	40,000*							70
75	78.4	271.0	39,300*							75
80	77.3	269.7	38,600*							80
85	76.2	268.2	38,000*	80.0	265.6	34,100*				85
90	75.1	266.7	37,300*	78.8	264.0	33,600*				90
95	74.0	265.0	36,700*	77.7	262.3	33,000*				95
100	72.8	263.2	36,100*	76.6	260.5	32,400*	80.7	255.3	26,900*	100
105	71.7	261.3	35,500*	75.5	258.6	31,800*	79.5	253.4	26,500*	105
110	70.6	259.3	34,900*	74.3	256.6	31,300*	78.4	251.3	25,900*	110
115	69.4	257.2	34,300*	73.1	254.4	30,700*	77.2	249.1	25,300*	115
120	68.3	255.0	33,800*	72.0	252.2	30,200*	76.0	246.9	24,600*	120
125	67.1	252.6	33,100*	70.8	249.8	29,700*	74.8	244.4	24,100*	125
130	65.9	250.1	32,500*	69.6	247.3	29,200*	73.6	241.9	23,500*	130
140	63.5	244.8	31,400*	67.2	241.8	28,200*	71.1	236.4	22,500*	140
150	61.1	238.8	30,200*	64.7	235.8	27,400*	68.6	230.3	21,600*	150
160	58.6	232.3	29,200*	62.2	229.2	26,500*	65.9	223.6	20,700*	160
170	56.0	225.1	28,200*	59.5	221.9	25,700*	63.2	216.1	20,000*	170
180	53.3	217.2	27,200*	56.8	213.9	25,000*	60.4	207.9	19,300*	180
190	50.5	208.5	26,300*	54.0	205.1	24,300*	57.5	198.9	18,600*	190
200	47.6	198.9	25,500*	51.0	195.2	23,700*	54.4	188.8	18,100*	200
210	44.5	188.2	24,700*	47.8	184.3	22,800*	51.1	177.5	17,600*	210
220	41.2	176.2	24,000*	44.5	172.1	22,000*	47.6	164.8	17,100*	220
230	37.6	162.7	22,500*	40.8	158.2	21,200*				230
240	33.7	147.1	19,900*	36.8	142.1	20,400*				240
250	29.3	128.8	17,400*							250



# Liftcrane Jib Capacities

# M-250 SERIES 3

Meets  
ANSI B30.5  
Requirements

Jib No. 132 with 20 Ft. Strut on  
 Boom No. 44 With Heavy Lift Top  
 248,700 Lb. Crane Counterweight  
 120,000 Lb. Carbody Counterweight  
 360 Degree Rating

## 100 Ft. JIB

Jib Oper. Rad. Feet	5 Degree Offset			15 Degree Offset			30 Degree Offset			Jib Oper. Rad. Feet
	Boom Ang. Deg.	Jib Point Elev. Feet	Jib Capacity Pounds	Boom Ang. Deg.	Jib Point Elev. Feet	Jib Capacity Pounds	Boom Ang. Deg.	Jib Point Elev. Feet	Jib Capacity Pounds	
<b>180 Ft. BOOM</b>										
65	80.9	283.7	41,000*							65
70	79.8	282.5	40,300*							70
75	78.8	281.3	39,600*							75
80	77.7	280.0	38,900*							80
85	76.7	278.6	38,300*	80.3	275.9	34,300*				85
90	75.6	277.1	37,600*	79.3	274.4	33,800*				90
95	74.6	275.5	37,000*	78.2	272.8	33,200*				95
100	73.5	273.8	36,400*	77.1	271.1	32,700*				100
105	72.4	272.0	35,800*	76.0	269.2	32,100*	80.0	263.9	26,600*	105
110	71.3	270.1	35,300*	74.9	267.3	31,600*	78.8	261.9	26,100*	110
115	70.2	268.1	34,700*	73.8	265.2	31,000*	77.7	259.9	25,500*	115
120	69.1	265.9	34,200*	72.7	263.1	30,500*	76.6	257.7	24,900*	120
125	68.0	263.7	33,600*	71.5	260.8	30,000*	75.4	255.4	24,400*	125
130	66.9	261.3	33,000*	70.4	258.4	29,500*	74.2	252.9	23,800*	130
140	64.6	256.2	31,800*	68.1	253.2	28,600*	71.9	247.7	22,800*	140
150	62.2	250.5	30,800*	65.7	247.5	27,700*	69.5	241.9	21,900*	150
160	59.8	244.3	29,700*	63.3	241.2	26,900*	67.0	235.5	21,100*	160
170	57.4	237.5	28,700*	60.8	234.3	26,100*	64.4	228.5	20,300*	170
180	54.9	230.0	27,800*	58.2	226.7	25,400*	61.8	220.7	19,600*	180
190	52.2	221.9	26,900*	55.6	218.4	24,700*	59.0	212.2	19,000*	190
200	49.5	212.9	26,000*	52.8	209.3	24,100*	56.1	202.8	18,400*	200
210	46.6	202.9	25,300*	49.9	199.1	23,500*	53.1	192.4	17,900*	210
220	43.6	191.9	24,500*	46.8	187.9	22,600*	49.9	180.8	17,400*	220
230	40.4	179.6	22,100*	43.5	175.3	21,700*	46.5	167.7	17,000*	230
240	36.9	165.7	19,500*	39.9	161.1	20,700*				240
250	33.1	149.8	17,000*	36.0	144.6	18,100*				250
260	28.7	131.1	14,700*							260





# Liftcrane Jib Capacities

Meets  
ANSI B30.5  
Requirements

# M-250 SERIES 3

Jib No. 132 with 20 Ft. Strut on  
Boom No. 44 With Heavy Lift Top  
248,700 Lb. Crane Counterweight  
120,000 Lb. Carbody Counterweight  
360 Degree Rating

## 100 Ft. JIB

Jib Oper. Rad. Feet	5 Degree Offset			15 Degree Offset			30 Degree Offset			Jib Oper. Rad. Feet
	Boom Ang. Deg.	Jib Point Elev. Feet	Jib Capacity Pounds	Boom Ang. Deg.	Jib Point Elev. Feet	Jib Capacity Pounds	Boom Ang. Deg.	Jib Point Elev. Feet	Jib Capacity Pounds	
<b>190 Ft. BOOM</b>										
70	80.2	292.8	40,500*							70
75	79.2	291.6	39,800*							75
80	78.2	290.4	39,200*							80
85	77.2	289.0	38,600*	80.7	286.3	34,500*				85
90	76.1	287.6	37,900*	79.6	284.8	34,000*				90
95	75.1	286.0	37,300*	78.6	283.2	33,400*				95
100	74.1	284.4	36,800*	77.6	281.6	32,900*				100
105	73.0	282.7	36,200*	76.5	279.8	32,300*	80.3	274.4	26,800*	105
110	72.0	280.8	35,600*	75.5	278.0	31,800*	79.2	272.5	26,400*	110
115	70.9	278.9	35,100*	74.4	276.0	31,300*	78.2	270.5	25,800*	115
120	69.9	276.8	34,500*	73.3	273.9	30,800*	77.1	268.4	25,200*	120
125	68.8	274.6	34,000*	72.2	271.7	30,300*	76.0	266.2	24,600*	125
130	67.7	272.4	33,400*	71.1	269.4	29,800*	74.8	263.9	24,100*	130
140	65.5	267.4	32,300*	68.9	264.5	28,900*	72.6	258.8	23,100*	140
150	63.3	262.1	31,200*	66.7	259.0	28,100*	70.3	253.3	22,200*	150
160	61.0	256.1	30,200*	64.4	253.0	27,200*	67.9	247.2	21,400*	160
170	58.7	249.7	29,200*	62.0	246.5	26,500*	65.5	240.5	20,600*	170
180	56.3	242.6	28,300*	59.6	239.3	25,700*	63.0	233.2	19,900*	180
190	53.8	234.9	27,400*	57.0	231.4	25,100*	60.4	225.2	19,300*	190
200	51.2	226.4	26,600*	54.4	222.8	24,400*	57.7	216.4	18,700*	200
210	48.5	217.1	25,800*	51.7	213.4	23,900*	54.9	206.7	18,200*	210
220	45.7	206.9	24,500*	48.8	203.0	23,100*	51.9	196.0	17,700*	220
230	42.8	195.6	21,700*	45.8	191.4	22,300*	48.8	184.1	17,200*	230
240	39.6	183.0	19,100*	42.6	178.5	20,500*	45.4	170.6	16,900*	240
250	36.2	168.8	16,700*	39.1	163.9	17,900*				250
260	32.4	152.5	14,400*	35.2	147.0	15,400*				260
270	28.2	133.3	12,300*							270



# Liftcrane Jib Capacities

# M-250 SERIES 3

Meets  
ANSI B30.5  
Requirements

Jib No. 132 with 20 Ft. Strut on  
 Boom No. 44 With Heavy Lift Top  
 248,700 Lb. Crane Counterweight  
 120,000 Lb. Carbody Counterweight  
 360 Degree Rating

## 100 Ft. JIB

Jib Oper. Rad. Feet	5 Degree Offset			15 Degree Offset			30 Degree Offset			Jib Oper. Rad. Feet
	Boom Ang. Deg.	Jib Point Elev. Feet	Jib Capacity Pounds	Boom Ang. Deg.	Jib Point Elev. Feet	Jib Capacity Pounds	Boom Ang. Deg.	Jib Point Elev. Feet	Jib Capacity Pounds	
<b>200 Ft. BOOM</b>										
70	80.5	303.0	40,800*							70
75	79.5	301.9	40,100*							75
80	78.6	300.7	39,400*							80
85	77.6	299.4	38,800*							85
90	76.6	298.0	38,200*	80.0	295.2	34,100*				90
95	75.6	296.5	37,600*	79.0	293.7	33,700*				95
100	74.6	294.9	37,100*	78.0	292.1	33,100*				100
105	73.6	293.2	36,500*	77.0	290.4	32,600*	80.7	284.8	26,900*	105
110	72.6	291.5	36,000*	76.0	288.6	32,100*	79.6	283.0	26,500*	110
115	71.6	289.6	35,400*	74.9	286.7	31,600*	78.6	281.1	26,000*	115
120	70.6	287.6	34,900*	73.9	284.7	31,100*	77.5	279.1	25,500*	120
125	69.5	285.5	34,400*	72.9	282.6	30,600*	76.5	277.0	24,900*	125
130	68.5	283.3	33,900*	71.8	280.4	30,100*	75.4	274.7	24,400*	130
140	66.4	278.6	32,800*	69.7	275.6	29,200*	73.2	269.9	23,400*	140
150	64.3	273.5	31,700*	67.5	270.4	28,400*	71.0	264.6	22,500*	150
160	62.1	267.8	30,700*	65.3	264.7	27,600*	68.8	258.8	21,700*	160
170	59.9	261.6	29,700*	63.1	258.4	26,800*	66.5	252.5	20,900*	170
180	57.6	254.9	28,800*	60.8	251.6	26,100*	64.1	245.5	20,200*	180
190	55.2	247.6	27,900*	58.4	244.2	25,400*	61.6	237.9	19,600*	190
200	52.8	239.6	27,100*	55.9	236.0	24,800*	59.1	229.6	19,000*	200
210	50.3	230.8	26,300*	53.3	227.2	24,200*	56.5	220.5	18,500*	210
220	47.6	221.3	24,000*	50.7	217.4	23,700*	53.7	210.5	18,000*	220
230	44.9	210.8	21,100*	47.9	206.7	22,800*	50.8	199.5	17,500*	230
240	42.0	199.2	18,600*	44.9	194.9	20,000*	47.7	187.3	17,100*	240
250	38.9	186.2	16,200*	41.7	181.6	17,500*				250
260	35.5	171.7	13,900*	38.3	166.7	15,100*				260
270	31.8	155.1	11,800*	34.4	149.4	12,800*				270
280	27.7	135.5	9,800*							280



# Liftcrane Jib Capacities

Meets ANSI B30.5 Requirements
-------------------------------------

# M-250 SERIES 3

Jib No. 132 with 20 Ft. Strut on  
Boom No. 44 With Heavy Lift Top  
248,700 Lb. Crane Counterweight  
120,000 Lb. Carbody Counterweight  
360 Degree Rating

## 100 Ft. JIB

Jib Oper. Rad. Feet	5 Degree Offset			15 Degree Offset			30 Degree Offset			Jib Oper. Rad. Feet
	Boom Ang. Deg.	Jib Point Elev. Feet	Jib Capacity Pounds	Boom Ang. Deg.	Jib Point Elev. Feet	Jib Capacity Pounds	Boom Ang. Deg.	Jib Point Elev. Feet	Jib Capacity Pounds	
<b>210 Ft. BOOM</b>										
70	80.8	313.2	41,000*							70
75	79.9	312.1	40,300*							75
80	78.9	311.0	39,700*							80
85	78.0	309.7	39,100*							85
90	77.0	308.4	38,500*	80.3	305.5	34,300*				90
95	76.1	306.9	37,900*	79.4	304.1	33,800*				95
100	75.1	305.4	37,300*	78.4	302.5	33,300*				100
105	74.2	303.8	36,800*	77.4	300.9	32,800*	81.0	295.3	27,000*	105
110	73.2	302.1	36,300*	76.4	299.2	32,300*	80.0	293.5	26,600*	110
115	72.2	300.3	35,700*	75.5	297.3	31,800*	79.0	291.7	26,300*	115
120	71.2	298.4	35,200*	74.5	295.4	31,300*	78.0	289.7	25,700*	120
125	70.2	296.4	34,700*	73.5	293.4	30,900*	77.0	287.7	25,200*	125
130	69.2	294.3	34,200*	72.5	291.3	30,400*	75.9	285.5	24,600*	130
140	67.2	289.7	33,200*	70.4	286.7	29,500*	73.8	280.9	23,700*	140
150	65.2	284.8	32,100*	68.3	281.7	28,700*	71.7	275.8	22,800*	150
160	63.1	279.4	31,100*	66.2	276.2	27,900*	69.6	270.3	22,000*	160
170	61.0	273.4	30,200*	64.1	270.2	27,100*	67.4	264.2	21,200*	170
180	58.8	267.0	29,200*	61.9	263.7	26,400*	65.1	257.6	20,500*	180
190	56.5	260.0	28,400*	59.6	256.6	25,800*	62.8	250.4	19,900*	190
200	54.2	252.4	27,500*	57.2	248.9	25,100*	60.4	242.5	19,300*	200
210	51.8	244.2	26,800*	54.8	240.5	24,500*	57.9	233.9	18,700*	210
220	49.4	235.2	23,800*	52.3	231.4	24,000*	55.3	224.6	18,200*	220
230	46.8	225.4	20,900*	49.7	221.4	22,700*	52.6	214.3	17,800*	230
240	44.1	214.6	18,400*	46.9	210.4	19,900*	49.7	203.0	17,400*	240
250	41.2	202.7	16,000*	44.0	198.2	17,400*	46.7	190.4	17,000*	250
260	38.2	189.5	13,800*	40.9	184.7	15,000*				260
270	34.9	174.6	11,700*	37.5	169.4	12,800*				270
280	31.3	157.6	9,700*	33.8	151.8	10,600*				280



# Liftcrane Jib Capacities

# M-250 SERIES 3

Meets  
ANSI B30.5  
Requirements

**Jib No. 132 with 20 Ft. Strut on  
 Boom No. 44 With Heavy Lift Top  
 248,700 Lb. Crane Counterweight  
 120,000 Lb. Carbody Counterweight  
 360 Degree Rating**

## 100 Ft. JIB

Jib Oper. Rad. Feet	5 Degree Offset			15 Degree Offset			30 Degree Offset			Jib Oper. Rad. Feet
	Boom Ang. Deg.	Jib Point Elev. Feet	Jib Capacity Pounds	Boom Ang. Deg.	Jib Point Elev. Feet	Jib Capacity Pounds	Boom Ang. Deg.	Jib Point Elev. Feet	Jib Capacity Pounds	
<b>220 Ft. BOOM</b>										
75	80.2	322.4	40,500*							75
80	79.3	321.2	39,900*							80
85	78.4	320.0	39,300*							85
90	77.5	318.7	38,700*	80.7	315.8	34,500*				90
95	76.5	317.3	38,200*	79.7	314.4	34,000*				95
100	75.6	315.9	37,600*	78.8	312.9	33,500*				100
105	74.7	314.3	37,100*	77.8	311.4	33,000*				105
110	73.7	312.6	36,600*	76.9	309.7	32,500*	80.3	304.0	26,800*	110
115	72.8	310.9	36,100*	75.9	307.9	32,100*	79.4	302.2	26,400*	115
120	71.8	309.1	35,500*	75.0	306.1	31,600*	78.4	300.3	25,900*	120
125	70.9	307.1	35,000*	74.0	304.1	31,100*	77.4	298.3	25,400*	125
130	69.9	305.1	34,600*	73.0	302.1	30,700*	76.4	296.3	24,900*	130
140	68.0	300.7	33,600*	71.1	297.7	29,800*	74.4	291.8	23,900*	140
150	66.0	296.0	32,600*	69.1	292.9	29,000*	72.4	286.9	23,000*	150
160	64.0	290.8	31,600*	67.1	287.6	28,200*	70.3	281.6	22,200*	160
170	62.0	285.1	30,600*	65.0	281.9	27,500*	68.2	275.8	21,500*	170
180	59.9	279.0	29,700*	62.9	275.6	26,800*	66.0	269.5	20,800*	180
190	57.7	272.3	28,800*	60.7	268.9	26,100*	63.8	262.6	20,200*	190
200	55.5	265.1	28,000*	58.5	261.6	25,400*	61.5	255.1	19,600*	200
210	53.3	257.2	26,300*	56.2	253.6	24,900*	59.2	247.0	19,000*	210
220	50.9	248.7	23,200*	53.8	245.0	24,300*	56.7	238.2	18,500*	220
230	48.5	239.5	20,400*	51.3	235.6	22,200*	54.2	228.5	18,000*	230
240	46.0	229.4	17,800*	48.8	225.3	19,400*	51.5	218.0	17,600*	240
250	43.3	218.3	15,400*	46.1	214.0	16,900*	48.7	206.3	17,200*	250
260	40.5	206.1	13,200*	43.2	201.6	14,500*	45.7	193.5	16,200*	260
270	37.5	192.6	11,100*	40.1	187.7	12,300*				270
280	34.3	177.5	9,200*	36.8	172.1	10,200*				280
290	30.7	160.1	7,400*							290



# Liftcrane Jib Capacities

Meets ANSI B30.5 Requirements
-------------------------------------

# M-250 SERIES 3

Jib No. 132 with 20 Ft. Strut on  
Boom No. 44 With Heavy Lift Top  
248,700 Lb. Crane Counterweight  
120,000 Lb. Carbody Counterweight  
360 Degree Rating

## 100 Ft. JIB

Jib Oper. Rad. Feet	5 Degree Offset			15 Degree Offset			30 Degree Offset			Jib Oper. Rad. Feet
	Boom Ang. Deg.	Jib Point Elev. Feet	Jib Capacity Pounds	Boom Ang. Deg.	Jib Point Elev. Feet	Jib Capacity Pounds	Boom Ang. Deg.	Jib Point Elev. Feet	Jib Capacity Pounds	
<b>230 Ft. BOOM</b>										
75	80.5	332.6	40,700*							75
80	79.6	331.5	40,100*							80
85	78.7	330.3	39,600*							85
90	77.8	329.1	39,000*	80.9	326.1	34,600*				90
95	77.0	327.7	38,400*	80.0	324.8	34,100*				95
100	76.1	326.3	37,900*	79.1	323.3	33,700*				100
105	75.2	324.8	37,400*	78.2	321.8	33,200*				105
110	74.2	323.2	36,900*	77.3	320.2	32,700*	80.6	314.4	26,900*	110
115	73.3	321.5	36,300*	76.4	318.5	32,300*	79.7	312.7	26,500*	115
120	72.4	319.7	35,800*	75.5	316.7	31,800*	78.8	310.9	26,100*	120
125	71.5	317.9	35,400*	74.5	314.8	31,400*	77.8	309.0	25,600*	125
130	70.6	315.9	34,900*	73.6	312.8	30,900*	76.9	307.0	25,100*	130
140	68.7	311.7	34,000*	71.7	308.6	30,100*	74.9	302.7	24,200*	140
150	66.8	307.1	33,000*	69.8	303.9	29,300*	73.0	298.0	23,300*	150
160	64.9	302.1	32,000*	67.8	298.9	28,500*	71.0	292.9	22,500*	160
170	62.9	296.7	31,100*	65.8	293.4	27,700*	68.9	287.3	21,800*	170
180	60.9	290.8	30,200*	63.8	287.4	27,100*	66.9	281.2	21,100*	180
190	58.8	284.4	29,300*	61.7	281.0	26,400*	64.8	274.6	20,400*	190
200	56.7	277.5	28,500*	59.6	274.0	25,800*	62.6	267.5	19,800*	200
210	54.6	270.0	25,800*	57.4	266.4	25,200*	60.3	259.8	19,300*	210
220	52.4	261.9	22,700*	55.2	258.2	24,600*	58.0	251.4	18,800*	220
230	50.1	253.2	19,800*	52.8	249.3	21,800*	55.6	242.3	18,300*	230
240	47.7	243.6	17,300*	50.4	239.6	19,000*	53.1	232.4	17,900*	240
250	45.2	233.3	14,900*	47.9	229.1	16,500*	50.5	221.6	17,500*	250
260	42.6	222.0	12,700*	45.2	217.6	14,100*	47.8	209.7	15,900*	260
270	39.8	209.5	10,600*	42.4	204.8	11,900*				270
280	36.9	195.7	8,700*	39.4	190.7	9,900*				280
290	33.7	180.3	6,900*	36.1	174.7	7,900*				290
300	30.2	162.6	5,200*							300



# Liftcrane Jib Capacities

# M-250 SERIES 3

Meets  
ANSI B30.5  
Requirements

Jib No. 132 with 20 Ft. Strut on  
 Boom No. 44 With Heavy Lift Top  
 248,700 Lb. Crane Counterweight  
 120,000 Lb. Carbody Counterweight  
 360 Degree Rating

## 100 Ft. JIB

Jib Oper. Rad. Feet	5 Degree Offset			15 Degree Offset			30 Degree Offset			Jib Oper. Rad. Feet
	Boom Ang. Deg.	Jib Point Elev. Feet	Jib Capacity Pounds	Boom Ang. Deg.	Jib Point Elev. Feet	Jib Capacity Pounds	Boom Ang. Deg.	Jib Point Elev. Feet	Jib Capacity Pounds	
<b>240 Ft. BOOM</b>										
75	80.8	342.8	40,900*							75
80	79.9	341.7	40,400*							80
85	79.1	340.6	39,800*							85
90	78.2	339.4	39,200*							90
95	77.3	338.1	38,700*	80.3	335.1	34,300*				95
100	76.5	336.7	38,100*	79.5	333.7	33,900*				100
105	75.6	335.2	37,600*	78.6	332.2	33,400*				105
110	74.7	333.7	37,100*	77.7	330.7	32,900*	80.9	324.8	27,000*	110
115	73.8	332.1	36,600*	76.8	329.0	32,500*	80.0	323.1	26,600*	115
120	73.0	330.3	36,100*	75.9	327.3	32,000*	79.1	321.4	26,300*	120
125	72.1	328.5	35,700*	75.0	325.5	31,600*	78.2	319.5	25,800*	125
130	71.2	326.6	35,200*	74.1	323.6	31,200*	77.3	317.6	25,300*	130
140	69.4	322.6	34,300*	72.3	319.5	30,300*	75.4	313.5	24,400*	140
150	67.5	318.1	33,300*	70.4	315.0	29,500*	73.5	308.9	23,500*	150
160	65.7	313.3	32,400*	68.6	310.1	28,800*	71.6	304.0	22,700*	160
170	63.8	308.1	31,500*	66.6	304.8	28,000*	69.7	298.6	22,000*	170
180	61.8	302.4	30,600*	64.7	299.1	27,300*	67.7	292.8	21,300*	180
190	59.9	296.3	29,700*	62.7	292.9	26,700*	65.6	286.5	20,700*	190
200	57.9	289.7	27,900	60.7	286.2	26,100*	63.6	279.7	20,100*	200
210	55.8	282.5	25,200*	58.6	278.9	25,500*	61.4	272.4	19,500*	210
220	53.7	274.8	22,100*	56.4	271.1	24,200	59.2	264.4	19,000*	220
230	51.5	266.5	19,200*	54.2	262.7	21,200*	56.9	255.8	18,600*	230
240	49.3	257.5	16,600*	51.9	253.6	18,500*	54.6	246.4	18,100*	240
250	46.9	247.8	14,200*	49.5	243.7	15,900*	52.1	236.3	17,700*	250
260	44.5	237.2	12,000*	47.1	232.9	13,600*	49.6	225.1	15,400*	260
270	41.9	225.6	10,000*	44.4	221.1	11,400*	46.8	213.0	13,000*	270
280	39.2	212.9	8,100*	41.7	208.1	9,300*				280
290	36.3	198.8	6,300*	38.7	193.6	7,400*				290
300	33.2	183.0	4,600*	35.5	177.4	5,600*				300



# Liftcrane Jib Capacities

Meets  
ANSI B30.5  
Requirements

# M-250 SERIES 3

Jib No. 132 with 20 Ft. Strut on  
Boom No. 44 With Heavy Lift Top  
248,700 Lb. Crane Counterweight  
120,000 Lb. Carbody Counterweight  
360 Degree Rating

## 100 Ft. JIB

Jib Oper. Rad. Feet	5 Degree Offset			15 Degree Offset			30 Degree Offset			Jib Oper. Rad. Feet
	Boom Ang. Deg.	Jib Point Elev. Feet	Jib Capacity Pounds	Boom Ang. Deg.	Jib Point Elev. Feet	Jib Capacity Pounds	Boom Ang. Deg.	Jib Point Elev. Feet	Jib Capacity Pounds	
<b>250 Ft. BOOM</b>										
80	80.2	352.0	40,600*							80
85	79.4	350.9	40,000*							85
90	78.6	349.7	39,400*							90
95	77.7	348.4	38,900*	80.6	345.4	34,400*				95
100	76.9	347.1	38,400*	79.8	344.0	34,000*				100
105	76.0	345.6	37,900*	78.9	342.6	33,600*				105
110	75.2	344.2	37,400*	78.1	341.1	33,100*				110
115	74.3	342.6	36,900*	77.2	339.5	32,700*	80.3	333.6	26,800*	115
120	73.5	340.9	36,400*	76.3	337.8	32,200*	79.5	331.9	26,400*	120
125	72.6	339.2	36,000*	75.5	336.1	31,800*	78.6	330.1	26,000*	125
130	71.7	337.3	35,500*	74.6	334.2	31,400*	77.7	328.2	25,600*	130
140	70.0	333.4	34,600*	72.8	330.3	30,600*	75.9	324.2	24,600*	140
150	68.2	329.1	33,700*	71.0	325.9	29,800*	74.1	319.8	23,800*	150
160	66.4	324.5	32,800*	69.2	321.2	29,000*	72.2	315.1	23,000*	160
170	64.6	319.4	31,900*	67.4	316.1	28,300*	70.3	309.9	22,300*	170
180	62.7	314.0	31,000*	65.5	310.6	27,600*	68.4	304.3	21,600*	180
190	60.8	308.1	30,100*	63.6	304.6	27,000*	66.5	298.3	20,900*	190
200	58.9	301.7	28,200	61.6	298.2	26,400*	64.5	291.7	20,300*	200
210	56.9	294.9	25,600	59.6	291.3	25,800*	62.4	284.7	19,800*	210
220	54.9	287.5	22,800*	57.6	283.8	24,600	60.3	277.1	19,300*	220
230	52.8	279.6	20,000*	55.5	275.8	22,000*	58.2	268.9	18,800*	230
240	50.7	271.0	17,400*	53.3	267.1	19,200*	55.9	260.0	18,400*	240
250	48.5	261.8	15,000*	51.1	257.8	16,700*	53.6	250.4	18,000*	250
260	46.2	251.8	12,800*	48.7	247.6	14,300*	51.2	240.0	16,300*	260
270	43.8	241.0	10,800*	46.3	236.6	12,200*	48.7	228.6	13,900*	270
280	41.2	229.1	8,900*	43.7	224.5	10,100*	46.0	216.2	11,600*	280
290	38.6	216.2	7,100*	41.0	211.2	8,200*				290
300	35.7	201.8	5,400*	38.0	196.5	6,400*				300
310				34.9	179.9	4,700*				310





# Liftcrane Jib Capacities

# M-250 SERIES 3

Meets  
ANSI B30.5  
Requirements

Jib No. 132 with 20 Ft. Strut on  
 Boom No. 44 With Heavy Lift Top  
 248,700 Lb. Crane Counterweight  
 120,000 Lb. Carbody Counterweight  
 360 Degree Rating

## 120 Ft. JIB

Jib Oper. Rad. Feet	5 Degree Offset			15 Degree Offset			30 Degree Offset			Jib Oper. Rad. Feet
	Boom Ang. Deg.	Jib Point Elev. Feet	Jib Capacity Pounds	Boom Ang. Deg.	Jib Point Elev. Feet	Jib Capacity Pounds	Boom Ang. Deg.	Jib Point Elev. Feet	Jib Capacity Pounds	
<b>130 Ft. BOOM</b>										
60	80.9	254.2	32,800*							60
65	79.7	253.1	32,100*							65
70	78.6	251.8	31,200*							70
75	77.4	250.5	30,400*							75
80	76.2	249.0	29,600*							80
85	75.0	247.4	28,800*	80.2	245.5	23,900*				85
90	73.8	245.7	28,100*	79.0	243.8	23,200*				90
95	72.6	243.9	27,300*	77.8	242.0	22,600*				95
100	71.4	242.0	26,600*	76.6	240.1	22,100*				100
105	70.1	239.9	25,800*	75.3	238.0	21,500*	80.4	232.6	18,700*	105
110	68.9	237.7	25,100*	74.1	235.9	20,900*	79.1	230.4	18,200*	110
115	67.7	235.4	24,400*	72.8	233.5	20,400*	77.8	228.0	17,800*	115
120	66.4	233.0	23,700*	71.5	231.1	19,900*	76.5	225.5	17,400*	120
125	65.1	230.4	23,100*	70.2	228.5	19,400*	75.2	222.9	17,000*	125
130	63.8	227.6	22,500*	68.9	225.8	18,900*	73.9	220.1	16,600*	130
140	61.2	221.7	21,200*	66.3	219.8	17,900*	71.1	214.0	15,900*	140
150	58.4	215.1	20,100*	63.5	213.3	17,100*	68.3	207.2	15,200*	150
160	55.6	207.8	19,000*	60.7	205.9	16,300*	65.4	199.7	14,500*	160
170	52.7	199.7	18,100*	57.7	197.8	15,500*	62.3	191.3	14,000*	170
180	49.6	190.7	17,100*	54.6	188.8	14,800*	59.1	181.9	13,500*	180
190	46.4	180.7	16,300*	51.4	178.7	14,200*	55.7	171.4	13,000*	190
200	43.0	169.4	15,500*	47.9	167.4	13,600*	52.1	159.5	12,600*	200
210	39.3	156.6	14,700*	44.1	154.5	13,100*	48.1	145.9	12,200*	210
220	35.2	141.8	14,100*	40.0	139.5	12,600*	43.7	129.9	12,000*	220
230	30.7	124.4	13,500*	35.4	121.8	12,200*				230



# Liftcrane Jib Capacities

Meets ANSI B30.5 Requirements
-------------------------------------

# M-250 SERIES 3

Jib No. 132 with 20 Ft. Strut on  
Boom No. 44 With Heavy Lift Top  
248,700 Lb. Crane Counterweight  
120,000 Lb. Carbody Counterweight  
360 Degree Rating

## 120 Ft. JIB

Jib Oper. Rad. Feet	5 Degree Offset			15 Degree Offset			30 Degree Offset			Jib Oper. Rad. Feet
	Boom Ang. Deg.	Jib Point Elev. Feet	Jib Capacity Pounds	Boom Ang. Deg.	Jib Point Elev. Feet	Jib Capacity Pounds	Boom Ang. Deg.	Jib Point Elev. Feet	Jib Capacity Pounds	
<b>140 Ft. BOOM</b>										
65	80.1	263.3	32,400*							65
70	79.0	262.2	31,600*							70
75	77.9	260.8	30,800*							75
80	76.7	259.4	30,000*							80
85	75.6	257.9	29,200*	80.6	255.9	24,100*				85
90	74.4	256.3	28,500*	79.4	254.3	23,500*				90
95	73.3	254.6	27,700*	78.3	252.5	22,900*				95
100	72.1	252.7	27,000*	77.1	250.7	22,300*				100
105	70.9	250.7	26,300*	75.9	248.7	21,800*	80.8	243.2	18,800*	105
110	69.8	248.7	25,600*	74.7	246.7	21,200*	79.6	241.1	18,400*	110
115	68.6	246.4	24,900*	73.5	244.5	20,700*	78.4	238.8	18,000*	115
120	67.4	244.1	24,300*	72.3	242.1	20,200*	77.1	236.4	17,600*	120
125	66.1	241.6	23,600*	71.1	239.7	19,700*	75.9	233.9	17,200*	125
130	64.9	239.0	23,000*	69.8	237.1	19,200*	74.6	231.2	16,800*	130
140	62.4	233.4	21,800*	67.3	231.4	18,300*	72.0	225.4	16,100*	140
150	59.8	227.2	20,700*	64.7	225.2	17,400*	69.3	219.0	15,400*	150
160	57.2	220.3	19,600*	62.0	218.3	16,700*	66.6	211.9	14,800*	160
170	54.4	212.7	18,600*	59.2	210.7	15,900*	63.7	204.1	14,200*	170
180	51.6	204.3	17,700*	56.3	202.3	15,200*	60.7	195.3	13,700*	180
190	48.6	195.0	16,800*	53.3	192.9	14,600*	57.6	185.6	13,200*	190
200	45.4	184.6	16,000*	50.1	182.5	14,000*	54.2	174.7	12,800*	200
210	42.1	173.0	15,300*	46.7	170.8	13,400*	50.7	162.5	12,400*	210
220	38.4	159.8	14,600*	43.1	157.5	13,000*	46.8	148.4	12,100*	220
230	34.5	144.6	13,900*	39.0	142.2	12,500*				230
240	30.0	126.8	13,400*	34.5	124.0	12,200*				240



# Liftcrane Jib Capacities

# M-250 SERIES 3

Meets  
ANSI B30.5  
Requirements

Jib No. 132 with 20 Ft. Strut on  
 Boom No. 44 With Heavy Lift Top  
 248,700 Lb. Crane Counterweight  
 120,000 Lb. Carbody Counterweight  
 360 Degree Rating

## 120 Ft. JIB

Jib Oper. Rad. Feet	5 Degree Offset			15 Degree Offset			30 Degree Offset			Jib Oper. Rad. Feet
	Boom Ang. Deg.	Jib Point Elev. Feet	Jib Capacity Pounds	Boom Ang. Deg.	Jib Point Elev. Feet	Jib Capacity Pounds	Boom Ang. Deg.	Jib Point Elev. Feet	Jib Capacity Pounds	
<b>150 Ft. BOOM</b>										
65	80.5	273.6	32,600*							65
70	79.4	272.4	31,900*							70
75	78.3	271.2	31,100*							75
80	77.2	269.8	30,400*							80
85	76.1	268.4	29,600*							85
90	75.0	266.8	28,900*	79.9	264.7	23,700*				90
95	73.9	265.1	28,200*	78.7	263.0	23,100*				95
100	72.8	263.4	27,400*	77.6	261.3	22,600*				100
105	71.7	261.5	26,800*	76.5	259.4	22,000*				105
110	70.6	259.5	26,100*	75.3	257.4	21,500*	80.0	251.7	18,500*	110
115	69.4	257.4	25,400*	74.2	255.3	21,000*	78.8	249.5	18,100*	115
120	68.3	255.1	24,800*	73.0	253.1	20,500*	77.7	247.2	17,700*	120
125	67.1	252.8	24,100*	71.8	250.7	20,000*	76.5	244.8	17,400*	125
130	65.9	250.3	23,500*	70.6	248.2	19,500*	75.2	242.3	17,000*	130
140	63.5	244.9	22,300*	68.2	242.9	18,600*	72.8	236.8	16,300*	140
150	61.1	239.0	21,200*	65.8	236.9	17,800*	70.2	230.7	15,600*	150
160	58.6	232.5	20,200*	63.2	230.4	17,000*	67.6	224.0	15,000*	160
170	56.0	225.3	19,200*	60.6	223.2	16,300*	64.9	216.6	14,500*	170
180	53.3	217.4	18,200*	57.9	215.3	15,600*	62.1	208.4	13,900*	180
190	50.5	208.7	17,400*	55.1	206.6	14,900*	59.2	199.3	13,500*	190
200	47.6	199.1	16,600*	52.1	196.9	14,300*	56.1	189.3	13,000*	200
210	44.5	188.4	15,800*	49.0	186.2	13,800*	52.9	178.0	12,700*	210
220	41.2	176.4	15,100*	45.7	174.1	13,300*	49.4	165.4	12,300*	220
230	37.7	162.9	14,400*	42.1	160.5	12,800*	45.5	150.9	12,100*	230
240	33.8	147.4	13,800*	38.1	144.7	12,500*				240
250	29.4	129.1	13,300*	33.6	126.1	12,100*				250



# Liftcrane Jib Capacities

Meets  
**ANSI B30.5**  
 Requirements

# M-250 SERIES 3

**Jib No. 132 with 20 Ft. Strut on**  
**Boom No. 44 With Heavy Lift Top**  
**248,700 Lb. Crane Counterweight**  
**120,000 Lb. Carbody Counterweight**  
**360 Degree Rating**

## 120 Ft. JIB

Jib Oper. Rad. Feet	5 Degree Offset			15 Degree Offset			30 Degree Offset			Jib Oper. Rad. Feet
	Boom Ang. Deg.	Jib Point Elev. Feet	Jib Capacity Pounds	Boom Ang. Deg.	Jib Point Elev. Feet	Jib Capacity Pounds	Boom Ang. Deg.	Jib Point Elev. Feet	Jib Capacity Pounds	
<b>160 Ft. BOOM</b>										
65	80.8	283.8	32,800*							65
70	79.8	282.7	32,100*							70
75	78.8	281.5	31,400*							75
80	77.7	280.2	30,700*							80
85	76.7	278.8	30,000*							85
90	75.6	277.3	29,200*	80.2	275.1	23,900*				90
95	74.5	275.7	28,600*	79.2	273.5	23,300*				95
100	73.5	274.0	27,900*	78.1	271.8	22,800*				100
105	72.4	272.2	27,200*	77.0	270.0	22,300*				105
110	71.3	270.3	26,500*	75.9	268.1	21,800*	80.4	262.2	18,700*	110
115	70.2	268.2	25,900*	74.8	266.1	21,300*	79.3	260.2	18,300*	115
120	69.1	266.1	25,200*	73.7	263.9	20,800*	78.1	258.0	17,900*	120
125	68.0	263.8	24,600*	72.5	261.7	20,300*	77.0	255.7	17,500*	125
130	66.8	261.4	24,000*	71.4	259.3	19,800*	75.8	253.2	17,200*	130
140	64.6	256.3	22,800*	69.1	254.2	18,900*	73.5	248.0	16,500*	140
150	62.2	250.7	21,700*	66.7	248.5	18,100*	71.1	242.2	15,800*	150
160	59.8	244.5	20,700*	64.3	242.3	17,300*	68.6	235.8	15,200*	160
170	57.4	237.7	19,700*	61.9	235.5	16,600*	66.0	228.8	14,700*	170
180	54.8	230.2	18,800*	59.3	228.0	15,900*	63.4	221.1	14,200*	180
190	52.2	222.0	17,900*	56.6	219.8	15,300*	60.6	212.6	13,700*	190
200	49.5	213.1	17,100*	53.9	210.8	14,700*	57.8	203.2	13,300*	200
210	46.6	203.1	16,300*	51.0	200.8	14,100*	54.8	192.8	12,900*	210
220	43.6	192.1	15,600*	47.9	189.8	13,600*	51.6	181.3	12,500*	220
230	40.4	179.9	14,900*	44.7	177.4	13,200*	48.1	168.2	12,200*	230
240	36.9	166.0	14,300*	41.1	163.4	12,700*	44.4	153.3	12,000*	240
250	33.1	150.1	13,800*	37.2	147.3	12,400*				250
260	28.8	131.4	13,300*	32.8	128.2	12,100*				260



# Liftcrane Jib Capacities

# M-250 SERIES 3

Meets  
ANSI B30.5  
Requirements

Jib No. 132 with 20 Ft. Strut on  
 Boom No. 44 With Heavy Lift Top  
 248,700 Lb. Crane Counterweight  
 120,000 Lb. Carbody Counterweight  
 360 Degree Rating

## 120 Ft. JIB

Jib Oper. Rad. Feet	5 Degree Offset			15 Degree Offset			30 Degree Offset			Jib Oper. Rad. Feet
	Boom Ang. Deg.	Jib Point Elev. Feet	Jib Capacity Pounds	Boom Ang. Deg.	Jib Point Elev. Feet	Jib Capacity Pounds	Boom Ang. Deg.	Jib Point Elev. Feet	Jib Capacity Pounds	
<b>170 Ft. BOOM</b>										
70	80.2	292.9	32,400*							70
75	79.2	291.8	31,700*							75
80	78.1	290.5	31,000*							80
85	77.1	289.2	30,300*							85
90	76.1	287.7	29,600*	80.6	285.5	24,100*				90
95	75.1	286.2	28,900*	79.5	283.9	23,500*				95
100	74.0	284.5	28,200*	78.5	282.3	23,000*				100
105	73.0	282.8	27,600*	77.5	280.6	22,500*				105
110	72.0	281.0	26,900*	76.4	278.7	22,000*	80.8	272.7	18,800*	110
115	70.9	279.0	26,300*	75.3	276.8	21,500*	79.7	270.8	18,400*	115
120	69.8	277.0	25,700*	74.3	274.7	21,000*	78.6	268.7	18,000*	120
125	68.8	274.8	25,100*	73.2	272.6	20,600*	77.5	266.4	17,700*	125
130	67.7	272.5	24,500*	72.1	270.3	20,100*	76.4	264.1	17,300*	130
140	65.5	267.6	23,300*	69.9	265.4	19,200*	74.1	259.1	16,700*	140
150	63.3	262.2	22,200*	67.7	260.0	18,400*	71.8	253.6	16,000*	150
160	61.0	256.3	21,200*	65.4	254.1	17,700*	69.5	247.5	15,400*	160
170	58.7	249.8	20,200*	63.0	247.6	16,900*	67.0	240.8	14,900*	170
180	56.3	242.8	19,300*	60.6	240.5	16,300*	64.5	233.5	14,400*	180
190	53.8	235.0	18,400*	58.1	232.8	15,600*	61.9	225.5	13,900*	190
200	51.2	226.6	17,600*	55.5	224.3	15,000*	59.3	216.7	13,500*	200
210	48.5	217.3	16,800*	52.8	214.9	14,500*	56.4	207.0	13,100*	210
220	45.7	207.1	16,100*	49.9	204.7	13,900*	53.5	196.3	12,700*	220
230	42.8	195.8	15,400*	46.9	193.3	13,500*	50.3	184.4	12,400*	230
240	39.6	183.2	14,800*	43.7	180.6	13,000*	47.0	171.0	12,200*	240
250	36.2	169.0	14,200*	40.3	166.2	12,700*				250
260	32.5	152.8	13,700*	36.4	149.7	12,300*				260
270	28.2	133.6	13,200*	32.1	130.3	12,000*				270



# Liftcrane Jib Capacities

Meets  
ANSI B30.5  
Requirements

# M-250 SERIES 3

Jib No. 132 with 20 Ft. Strut on  
Boom No. 44 With Heavy Lift Top  
248,700 Lb. Crane Counterweight  
120,000 Lb. Carbody Counterweight  
360 Degree Rating

## 120 Ft. JIB

Jib Oper. Rad. Feet	5 Degree Offset			15 Degree Offset			30 Degree Offset			Jib Oper. Rad. Feet
	Boom Ang. Deg.	Jib Point Elev. Feet	Jib Capacity Pounds	Boom Ang. Deg.	Jib Point Elev. Feet	Jib Capacity Pounds	Boom Ang. Deg.	Jib Point Elev. Feet	Jib Capacity Pounds	
<b>180 Ft. BOOM</b>										
70	80.5	303.2	32,600*							70
75	79.5	302.0	32,000*							75
80	78.5	300.8	31,300*							80
85	77.6	299.5	30,600*							85
90	76.6	298.1	29,900*	80.9	295.8	24,300*				90
95	75.6	296.7	29,300*	79.9	294.3	23,700*				95
100	74.6	295.1	28,600*	78.9	292.7	23,200*				100
105	73.6	293.4	28,000*	77.9	291.1	22,700*				105
110	72.6	291.6	27,300*	76.9	289.3	22,200*				110
115	71.6	289.7	26,700*	75.9	287.4	21,700*	80.1	281.3	18,600*	115
120	70.6	287.8	26,100*	74.8	285.5	21,300*	79.0	279.3	18,200*	120
125	69.5	285.7	25,500*	73.8	283.4	20,800*	78.0	277.2	17,800*	125
130	68.5	283.5	24,900*	72.8	281.2	20,400*	76.9	274.9	17,500*	130
140	66.4	278.8	23,800*	70.6	276.5	19,500*	74.7	270.1	16,800*	140
150	64.3	273.6	22,700*	68.5	271.3	18,700*	72.5	264.8	16,200*	150
160	62.1	268.0	21,700*	66.3	265.7	18,000*	70.3	259.0	15,600*	160
170	59.8	261.8	20,700*	64.0	259.5	17,200*	67.9	252.7	15,100*	170
180	57.6	255.1	19,800*	61.7	252.8	16,600*	65.6	245.7	14,600*	180
190	55.2	247.8	18,900*	59.3	245.4	15,900*	63.1	238.1	14,100*	190
200	52.8	239.8	18,100*	56.9	237.4	15,300*	60.6	229.9	13,700*	200
210	50.3	231.0	17,300*	54.3	228.6	14,800*	58.0	220.8	13,300*	210
220	47.6	221.5	16,600*	51.7	219.0	14,300*	55.2	210.8	12,900*	220
230	44.9	211.0	15,900*	48.9	208.4	13,800*	52.3	199.8	12,600*	230
240	42.0	199.4	15,300*	46.0	196.8	13,300*	49.2	187.5	12,300*	240
250	38.9	186.5	14,700*	42.8	183.7	12,900*	45.9	173.8	12,100*	250
260	35.5	172.0	14,100*	39.4	169.0	12,600*				260
270	31.9	155.4	13,600*	35.7	152.2	12,300*				270
280	27.7	135.9	12,100*							280



# Liftcrane Jib Capacities

# M-250 SERIES 3

Meets  
ANSI B30.5  
Requirements

Jib No. 132 with 20 Ft. Strut on  
 Boom No. 44 With Heavy Lift Top  
 248,700 Lb. Crane Counterweight  
 120,000 Lb. Carbody Counterweight  
 360 Degree Rating

## 120 Ft. JIB

Jib Oper. Rad. Feet	5 Degree Offset			15 Degree Offset			30 Degree Offset			Jib Oper. Rad. Feet
	Boom Ang. Deg.	Jib Point Elev. Feet	Jib Capacity Pounds	Boom Ang. Deg.	Jib Point Elev. Feet	Jib Capacity Pounds	Boom Ang. Deg.	Jib Point Elev. Feet	Jib Capacity Pounds	
<b>190 Ft. BOOM</b>										
70	80.8	313.4	32,800*							70
75	79.9	312.3	32,200*							75
80	78.9	311.1	31,500*							80
85	78.0	309.9	30,900*							85
90	77.0	308.5	30,200*							90
95	76.1	307.1	29,600*	80.2	304.7	23,900*				95
100	75.1	305.6	28,900*	79.3	303.2	23,400*				100
105	74.1	303.9	28,300*	78.3	301.6	22,900*				105
110	73.2	302.2	27,700*	77.3	299.9	22,400*				110
115	72.2	300.4	27,100*	76.3	298.1	22,000*	80.4	291.8	18,700*	115
120	71.2	298.5	26,500*	75.4	296.2	21,500*	79.4	289.9	18,300*	120
125	70.2	296.5	25,900*	74.4	294.2	21,100*	78.4	287.8	18,000*	125
130	69.2	294.4	25,300*	73.4	292.1	20,600*	77.4	285.7	17,600*	130
140	67.2	289.9	24,200*	71.3	287.5	19,800*	75.3	281.0	17,000*	140
150	65.2	284.9	23,100*	69.2	282.6	19,000*	73.2	276.0	16,400*	150
160	63.1	279.5	22,100*	67.1	277.2	18,200*	71.0	270.4	15,800*	160
170	60.9	273.6	21,200*	65.0	271.2	17,500*	68.8	264.3	15,300*	170
180	58.8	267.2	20,200*	62.8	264.8	16,900*	66.5	257.7	14,800*	180
190	56.5	260.2	19,400*	60.5	257.8	16,300*	64.2	250.5	14,300*	190
200	54.2	252.6	18,600*	58.2	250.2	15,700*	61.8	242.7	13,900*	200
210	51.8	244.4	17,800*	55.8	241.9	15,100*	59.3	234.1	13,500*	210
220	49.4	235.4	17,100*	53.3	232.9	14,600*	56.7	224.8	13,100*	220
230	46.8	225.6	16,400*	50.7	223.0	14,100*	54.0	214.5	12,800*	230
240	44.1	214.8	15,700*	48.0	212.1	13,600*	51.2	203.2	12,500*	240
250	41.2	202.9	15,100*	45.1	200.2	13,200*	48.1	190.6	12,200*	250
260	38.2	189.7	14,500*	42.0	186.8	12,800*	44.9	176.5	12,000*	260
270	34.9	174.9	13,700*	38.6	171.8	12,500*				270
280	31.3	157.9	11,700*	34.9	154.6	12,200*				280
290	27.2	138.0	9,900*							290



# Liftcrane Jib Capacities

Meets  
ANSI B30.5  
Requirements

# M-250 SERIES 3

Jib No. 132 with 20 Ft. Strut on  
Boom No. 44 With Heavy Lift Top  
248,700 Lb. Crane Counterweight  
120,000 Lb. Carbody Counterweight  
360 Degree Rating

## 120 Ft. JIB

Jib Oper. Rad. Feet	5 Degree Offset			15 Degree Offset			30 Degree Offset			Jib Oper. Rad. Feet
	Boom Ang. Deg.	Jib Point Elev. Feet	Jib Capacity Pounds	Boom Ang. Deg.	Jib Point Elev. Feet	Jib Capacity Pounds	Boom Ang. Deg.	Jib Point Elev. Feet	Jib Capacity Pounds	
<b>200 Ft. BOOM</b>										
75	80.2	322.5	32,400*							75
80	79.3	321.4	31,800*							80
85	78.4	320.2	31,100*							85
90	77.4	318.9	30,500*							90
95	76.5	317.5	29,900*	80.6	315.0	24,100*				95
100	75.6	316.0	29,300*	79.6	313.6	23,600*				100
105	74.7	314.5	28,600*	78.7	312.0	23,100*				105
110	73.7	312.8	28,000*	77.7	310.4	22,600*				110
115	72.8	311.1	27,400*	76.8	308.6	22,200*	80.7	302.3	18,800*	115
120	71.8	309.2	26,800*	75.8	306.8	21,700*	79.8	300.4	18,400*	120
125	70.9	307.3	26,300*	74.9	304.9	21,300*	78.8	298.4	18,100*	125
130	69.9	305.3	25,700*	73.9	302.8	20,900*	77.8	296.4	17,800*	130
140	68.0	300.9	24,600*	72.0	298.5	20,000*	75.8	291.9	17,200*	140
150	66.0	296.1	23,600*	70.0	293.7	19,300*	73.8	287.0	16,600*	150
160	64.0	290.9	22,600*	67.9	288.5	18,500*	71.7	281.7	16,000*	160
170	61.9	285.3	21,600*	65.9	282.9	17,800*	69.6	275.9	15,500*	170
180	59.9	279.1	20,700*	63.8	276.7	17,200*	67.4	269.6	15,000*	180
190	57.7	272.5	19,800*	61.6	270.0	16,600*	65.2	262.7	14,500*	190
200	55.5	265.2	19,000*	59.4	262.8	16,000*	62.9	255.2	14,100*	200
210	53.3	257.4	18,200*	57.1	254.9	15,400*	60.5	247.1	13,700*	210
220	50.9	248.9	17,500*	54.7	246.3	14,900*	58.1	238.3	13,300*	220
230	48.5	239.7	16,800*	52.3	237.0	14,400*	55.6	228.7	13,000*	230
240	46.0	229.6	16,200*	49.7	226.9	13,900*	52.9	218.1	12,700*	240
250	43.3	218.5	15,500*	47.1	215.8	13,500*	50.1	206.5	12,400*	250
260	40.5	206.4	15,000*	44.2	203.5	13,100*	47.1	193.6	12,200*	260
270	37.5	192.9	13,100*	41.2	189.9	12,800*	43.9	179.2	12,000*	270
280	34.3	177.7	11,200*	37.9	174.5	12,400*				280
290	30.7	160.5	9,400*	34.3	156.9	10,800*				290
300	26.7	140.2	7,600*							300





# Liftcrane Jib Capacities

# M-250 SERIES 3

Meets  
ANSI B30.5  
Requirements

**Jib No. 132 with 20 Ft. Strut on  
 Boom No. 44 With Heavy Lift Top  
 248,700 Lb. Crane Counterweight  
 120,000 Lb. Carbody Counterweight  
 360 Degree Rating**

## 120 Ft. JIB

Jib Oper. Rad. Feet	5 Degree Offset			15 Degree Offset			30 Degree Offset			Jib Oper. Rad. Feet
	Boom Ang. Deg.	Jib Point Elev. Feet	Jib Capacity Pounds	Boom Ang. Deg.	Jib Point Elev. Feet	Jib Capacity Pounds	Boom Ang. Deg.	Jib Point Elev. Feet	Jib Capacity Pounds	
<b>210 Ft. BOOM</b>										
75	80.5	332.7	32,600*							75
80	79.6	331.6	32,000*							80
85	78.7	330.5	31,400*							85
90	77.8	329.2	30,800*							90
95	76.9	327.9	30,200*	80.9	325.4	24,200*				95
100	76.0	326.4	29,600*	80.0	323.9	23,800*				100
105	75.1	324.9	29,000*	79.0	322.4	23,300*				105
110	74.2	323.3	28,400*	78.1	320.8	22,800*				110
115	73.3	321.7	27,800*	77.2	319.2	22,400*				115
120	72.4	319.9	27,200*	76.3	317.4	21,900*	80.1	310.9	18,600*	120
125	71.5	318.0	26,600*	75.4	315.5	21,500*	79.2	309.0	18,200*	125
130	70.5	316.1	26,100*	74.4	313.6	21,100*	78.2	307.0	17,900*	130
140	68.7	311.9	25,000*	72.5	309.4	20,300*	76.3	302.7	17,300*	140
150	66.8	307.3	24,000*	70.6	304.8	19,500*	74.3	298.0	16,700*	150
160	64.8	302.3	23,000*	68.7	299.8	18,800*	72.3	292.9	16,200*	160
170	62.9	296.8	22,000*	66.7	294.3	18,100*	70.3	287.3	15,600*	170
180	60.9	290.9	21,100*	64.7	288.4	17,400*	68.2	281.3	15,200*	180
190	58.8	284.5	20,300*	62.6	282.0	16,800*	66.1	274.7	14,700*	190
200	56.7	277.6	19,500*	60.5	275.1	16,200*	63.9	267.6	14,300*	200
210	54.6	270.2	18,700*	58.3	267.6	15,700*	61.7	259.9	13,900*	210
220	52.4	262.1	18,000*	56.1	259.5	15,200*	59.4	251.5	13,500*	220
230	50.1	253.3	17,300*	53.8	250.7	14,700*	57.0	242.4	13,200*	230
240	47.7	243.9	16,600*	51.3	241.2	14,200*	54.5	232.5	12,800*	240
250	45.2	233.5	16,000*	48.8	230.7	13,800*	51.9	221.7	12,600*	250
260	42.6	222.2	14,900*	46.2	219.3	13,400*	49.1	209.8	12,300*	260
270	39.8	209.8	12,900*	43.4	206.8	13,000*	46.2	196.6	12,100*	270
280	36.9	196.0	11,000*	40.4	192.9	12,700*				280
290	33.7	180.6	9,200*	37.2	177.2	10,700*				290
300	30.2	162.9	7,500*	33.6	159.3	8,800*				300
310	26.3	142.3	5,800*							310



# Liftcrane Jib Capacities

Meets  
ANSI B30.5  
Requirements

# M-250 SERIES 3

Jib No. 132 with 20 Ft. Strut on  
Boom No. 44 With Heavy Lift Top  
248,700 Lb. Crane Counterweight  
120,000 Lb. Carbody Counterweight  
360 Degree Rating

## 120 Ft. JIB

Jib Oper. Rad. Feet	5 Degree Offset			15 Degree Offset			30 Degree Offset			Jib Oper. Rad. Feet
	Boom Ang. Deg.	Jib Point Elev. Feet	Jib Capacity Pounds	Boom Ang. Deg.	Jib Point Elev. Feet	Jib Capacity Pounds	Boom Ang. Deg.	Jib Point Elev. Feet	Jib Capacity Pounds	
<b>220 Ft. BOOM</b>										
75	80.8	342.9	32,800*							75
80	79.9	341.9	32,300*							80
85	79.1	340.7	31,600*							85
90	78.2	339.5	31,000*							90
95	77.3	338.2	30,400*							95
100	76.5	336.8	29,900*	80.3	334.3	23,900*				100
105	75.6	335.4	29,300*	79.4	332.8	23,500*				105
110	74.7	333.8	28,700*	78.5	331.3	23,000*				110
115	73.8	332.2	28,100*	77.6	329.7	22,600*				115
120	72.9	330.5	27,600*	76.7	327.9	22,100*	80.4	321.4	18,700*	120
125	72.0	328.7	27,000*	75.8	326.1	21,700*	79.5	319.5	18,400*	125
130	71.1	326.8	26,400*	74.9	324.3	21,300*	78.6	317.6	18,000*	130
140	69.3	322.7	25,400*	73.1	320.2	20,500*	76.7	313.5	17,400*	140
150	67.5	318.3	24,400*	71.2	315.8	19,800*	74.8	308.9	16,900*	150
160	65.6	313.5	23,400*	69.4	310.9	19,000*	72.9	304.0	16,300*	160
170	63.8	308.2	22,500*	67.5	305.7	18,400*	71.0	298.7	15,800*	170
180	61.8	302.6	21,600*	65.5	300.0	17,700*	69.0	292.8	15,300*	180
190	59.9	296.5	20,700*	63.5	293.9	17,100*	66.9	286.5	14,900*	190
200	57.9	289.8	19,900*	61.5	287.3	16,500*	64.8	279.7	14,400*	200
210	55.8	282.7	19,100*	59.4	280.1	16,000*	62.7	272.4	14,100*	210
220	53.7	275.0	18,400*	57.3	272.4	15,400*	60.5	264.4	13,700*	220
230	51.5	266.7	17,700*	55.1	264.0	15,000*	58.2	255.8	13,300*	230
240	49.2	257.7	17,000*	52.8	255.0	14,500*	55.9	246.4	13,000*	240
250	46.9	248.0	16,400*	50.4	245.2	14,100*	53.4	236.3	12,700*	250
260	44.5	237.4	14,300*	48.0	234.5	13,600*	50.9	225.2	12,500*	260
270	41.9	225.8	12,300*	45.4	222.9	13,300*	48.1	213.0	12,200*	270
280	39.2	213.1	10,400*	42.6	210.0	12,200*	45.2	199.5	12,100*	280
290	36.3	199.1	8,600*	39.7	195.8	10,200*				290
300	33.2	183.3	6,900*	36.5	179.8	8,400*				300
310	29.7	165.4	5,300*	33.0	161.6	6,600*				310



# Liftcrane Jib Capacities

# M-250 SERIES 3

Meets  
ANSI B30.5  
Requirements

Jib No. 132 with 20 Ft. Strut on  
 Boom No. 44 With Heavy Lift Top  
 248,700 Lb. Crane Counterweight  
 120,000 Lb. Carbody Counterweight  
 360 Degree Rating

## 120 Ft. JIB

Jib Oper. Rad. Feet	5 Degree Offset			15 Degree Offset			30 Degree Offset			Jib Oper. Rad. Feet
	Boom Ang. Deg.	Jib Point Elev. Feet	Jib Capacity Pounds	Boom Ang. Deg.	Jib Point Elev. Feet	Jib Capacity Pounds	Boom Ang. Deg.	Jib Point Elev. Feet	Jib Capacity Pounds	
<b>230 Ft. BOOM</b>										
80	80.2	352.1	32,500*							80
85	79.4	351.0	31,900*							85
90	78.5	349.8	31,300*							90
95	77.7	348.6	30,700*							95
100	76.9	347.2	30,100*	80.6	344.6	24,100*				100
105	76.0	345.8	29,500*	79.7	343.2	23,600*				105
110	75.2	344.3	29,000*	78.8	341.7	23,200*				110
115	74.3	342.7	28,400*	78.0	340.1	22,800*				115
120	73.4	341.1	27,900*	77.1	338.5	22,300*	80.7	331.8	18,800*	120
125	72.6	339.3	27,300*	76.2	336.7	21,900*	79.8	330.1	18,500*	125
130	71.7	337.5	26,800*	75.4	334.9	21,500*	78.9	328.2	18,200*	130
140	70.0	333.6	25,800*	73.6	331.0	20,700*	77.1	324.2	17,600*	140
150	68.2	329.3	24,700*	71.8	326.7	20,000*	75.3	319.8	17,000*	150
160	66.4	324.6	23,800*	70.0	322.0	19,300*	73.5	315.0	16,500*	160
170	64.6	319.6	22,900*	68.2	317.0	18,600*	71.6	309.9	16,000*	170
180	62.7	314.1	22,000*	66.3	311.5	18,000*	69.7	304.3	15,500*	180
190	60.8	308.2	21,100*	64.4	305.6	17,400*	67.7	298.2	15,000*	190
200	58.9	301.9	20,300*	62.5	299.3	16,800*	65.7	291.7	14,600*	200
210	56.9	295.1	19,500*	60.5	292.4	16,200*	63.7	284.7	14,200*	210
220	54.9	287.7	18,800*	58.4	285.0	15,700*	61.6	277.1	13,900*	220
230	52.8	279.8	18,100*	56.3	277.1	15,200*	59.4	268.9	13,500*	230
240	50.7	271.2	17,500*	54.2	268.5	14,800*	57.2	260.0	13,200*	240
250	48.5	262.0	15,900*	51.9	259.2	14,300*	54.9	250.4	12,900*	250
260	46.2	252.0	13,700*	49.6	249.2	13,900*	52.4	240.0	12,600*	260
270	43.8	241.2	11,700*	47.2	238.2	13,500*	49.9	228.6	12,400*	270
280	41.2	229.4	9,800*	44.6	226.3	11,800*	47.2	216.1	12,200*	280
290	38.6	216.4	8,100*	41.9	213.2	9,800*	44.4	202.4	11,000*	290
300	35.7	202.1	6,400*	39.0	198.7	7,900*				300
310	32.7	186.0	4,800*	35.9	182.4	6,200*				310
320				32.4	163.8	4,500*				320



# Liftcrane Jib Capacities

Meets  
ANSI B30.5  
Requirements

# M-250 SERIES 3

Jib No. 132 with 20 Ft. Strut on  
Boom No. 44 With Heavy Lift Top  
248,700 Lb. Crane Counterweight  
120,000 Lb. Carbody Counterweight  
360 Degree Rating

## 120 Ft. JIB

Jib Oper. Rad. Feet	5 Degree Offset			15 Degree Offset			30 Degree Offset			Jib Oper. Rad. Feet
	Boom Ang. Deg.	Jib Point Elev. Feet	Jib Capacity Pounds	Boom Ang. Deg.	Jib Point Elev. Feet	Jib Capacity Pounds	Boom Ang. Deg.	Jib Point Elev. Feet	Jib Capacity Pounds	
<b>240 Ft. BOOM</b>										
80	80.5	362.3	32,600*							80
85	79.7	361.2	32,100*							85
90	78.9	360.1	31,500*							90
95	78.0	358.9	30,900*							95
100	77.2	357.6	30,400*	80.8	354.9	24,200*				100
105	76.4	356.2	29,800*	80.0	353.5	23,800*				105
110	75.6	354.7	29,300*	79.2	352.1	23,300*				110
115	74.7	353.2	28,700*	78.3	350.6	22,900*				115
120	73.9	351.6	28,200*	77.5	349.0	22,500*				120
125	73.1	349.9	27,700*	76.6	347.3	22,100*	80.1	340.5	18,600*	125
130	72.2	348.1	27,100*	75.8	345.5	21,700*	79.3	338.7	18,300*	130
140	70.5	344.3	26,100*	74.1	341.7	21,000*	77.5	334.8	17,700*	140
150	68.8	340.2	25,100*	72.4	337.6	20,200*	75.8	330.6	17,100*	150
160	67.1	335.7	24,200*	70.6	333.1	19,500*	74.0	326.0	16,600*	160
170	65.3	330.8	23,200*	68.8	328.2	18,900*	72.2	321.0	16,100*	170
180	63.5	325.6	22,400*	67.0	322.9	18,200*	70.3	315.6	15,700*	180
190	61.7	319.9	21,500*	65.2	317.2	17,600*	68.4	309.8	15,200*	190
200	59.9	313.8	20,700*	63.3	311.1	17,100*	66.5	303.5	14,800*	200
210	58.0	307.2	20,000*	61.4	304.5	16,500*	64.5	296.8	14,400*	210
220	56.0	300.2	19,200*	59.5	297.5	16,000*	62.5	289.5	14,000*	220
230	54.1	292.6	18,500*	57.5	289.8	15,500*	60.5	281.7	13,700*	230
240	52.0	284.4	17,600*	55.4	281.7	15,000*	58.4	273.3	13,400*	240
250	49.9	275.7	15,200*	53.3	272.9	14,600*	56.2	264.2	13,100*	250
260	47.7	266.2	13,100*	51.1	263.3	14,200*	53.9	254.3	12,800*	260
270	45.5	256.0	11,000*	48.8	253.1	13,300*	51.5	243.6	12,500*	270
280	43.1	244.9	9,200*	46.4	241.9	11,200*	49.0	232.0	12,300*	280
290	40.6	232.9	7,400*	43.9	229.7	9,200*	46.4	219.2	10,600*	290
300	38.0	219.7	5,800*	41.2	216.4	7,400*				300
310	35.2	205.1	4,200*	38.4	201.6	5,700*				310
320				35.3	185.0	4,000*				320



# Liftcrane Jib Capacities

# M-250 SERIES 3

Meets  
ANSI B30.5  
Requirements

**Jib No. 132 with 20 Ft. Strut on  
 Boom No. 44 With Heavy Lift Top  
 248,700 Lb. Crane Counterweight  
 120,000 Lb. Carbody Counterweight  
 360 Degree Rating**

## 120 Ft. JIB

Jib Oper. Rad. Feet	5 Degree Offset			15 Degree Offset			30 Degree Offset			Jib Oper. Rad. Feet
	Boom Ang. Deg.	Jib Point Elev. Feet	Jib Capacity Pounds	Boom Ang. Deg.	Jib Point Elev. Feet	Jib Capacity Pounds	Boom Ang. Deg.	Jib Point Elev. Feet	Jib Capacity Pounds	
<b>250 Ft. BOOM</b>										
80	80.7	372.5	32,800*							80
85	80.0	371.5	32,300*							85
90	79.2	370.4	31,700*							90
95	78.4	369.2	31,200*							95
100	77.6	367.9	30,600*							100
105	76.8	366.6	30,100*	80.3	363.9	23,900*				105
110	76.0	365.2	29,500*	79.5	362.5	23,500*				110
115	75.2	363.7	29,000*	78.7	361.0	23,100*				115
120	74.4	362.1	28,500*	77.8	359.4	22,700*				120
125	73.6	360.5	28,000*	77.0	357.8	22,300*	80.4	351.0	18,700*	125
130	72.7	358.7	27,400*	76.2	356.1	21,900*	79.6	349.2	18,400*	130
140	71.1	355.1	26,400*	74.6	352.4	21,200*	77.9	345.5	17,800*	140
150	69.4	351.1	25,500*	72.9	348.4	20,400*	76.2	341.4	17,300*	150
160	67.8	346.7	24,500*	71.2	344.0	19,700*	74.5	336.9	16,800*	160
170	66.1	342.0	23,600*	69.5	339.3	19,100*	72.7	332.1	16,300*	170
180	64.3	336.9	22,800*	67.7	334.2	18,500*	70.9	326.9	15,800*	180
190	62.6	331.4	21,900*	66.0	328.7	17,900*	69.1	321.3	15,400*	190
200	60.8	325.5	21,100*	64.2	322.8	17,300*	67.3	315.2	15,000*	200
210	59.0	319.2	20,400*	62.3	316.5	16,800*	65.4	308.8	14,600*	210
220	57.1	312.5	19,600*	60.4	309.7	16,200*	63.4	301.8	14,200*	220
230	55.2	305.2	18,900*	58.5	302.4	15,800*	61.5	294.3	13,800*	230
240	53.2	297.4	18,300*	56.5	294.6	15,300*	59.4	286.2	13,500*	240
250	51.2	289.0	15,900*	54.5	286.2	14,800*	57.3	277.6	13,200*	250
260	49.2	280.1	13,700*	52.4	277.2	14,400*	55.2	268.2	12,900*	260
270	47.0	270.4	11,700*	50.3	267.4	14,000*	52.9	258.1	12,700*	270
280	44.8	259.9	9,800*	48.0	256.9	11,900*	50.6	247.2	12,500*	280
290	42.5	248.6	8,100*	45.6	245.5	9,900*	48.1	235.3	11,300*	290
300	40.0	236.3	6,400*	43.2	233.1	8,100*	45.5	222.3	9,400*	300
310	37.4	222.9	4,900*	40.5	219.4	6,400*				310
320				37.7	204.4	4,800*				320



# Liftcrane Jib Capacities

# M-250 SERIES 3

Meets  
ANSI B30.5  
Requirements

**Jib No. 132 with 20 Ft. Strut on  
Boom No. 44 With Long Reach Top  
248,700 Lb. Crane Counterweight  
120,000 Lb. Carbody Counterweight  
360 Degree Rating**

**LIFTING CAPACITIES:** Chart supplements Boom Capacity chart **No. 8002-A**. Lifting capacities for various boom lengths, jib lengths and jib operating radii are for freely suspended loads and do not exceed 75% of a static tipping load. Capacities based on structural competence are denoted by an asterisk (\*). Capacities indicated by a (b) require 4,425 Lb. minimum block weight with 4 part hoist line reeving on 40 Ft. jib and 3 part on 60 Ft. jib.

Weight of all load blocks, hooks, weight ball, slings, hoist lines, etc., beneath boom and jib point sheaves, is considered part of jib load. Boom and jib are not to be lowered beyond radii where combined weights are greater than rated capacity. Where no capacity is shown, operation is not intended or approved.

**OPERATING CONDITIONS:** Machine to operate in a level position on a firm uniformly supporting surface with gantry up. Refer to boom rigging **No. 172842** or **No. 192054**, jib assembly **No. 170429**, **No. 173165**, **No. 172693** or **No. 192352**, Wire Rope Specification chart **No. 7581-B**, and Counterweight Arrangement chart **No. 7692-A**. Crane operator judgment must be used to allow for dynamic load effects of swinging, hoisting or lowering, travel, wind conditions, as well as adverse operating conditions and physical machine depreciation. Refer to operators manual for operating guidelines.

**MACHINE TRAVEL:** Machine to travel on a firm, level and uniformly supporting surface and boom within boom angle range shown in capacity chart. Refer to Maximum Allowable Travel Specification chart **No. 8032-A**.

**OPERATING RADIUS:** Operating radius is horizontal distance from axis of rotation to center of vertical hoist line or load block. Boom angle is angle between horizontal and centerline of boom butt and inserts, and is an indication of operating radius. In all cases, operating radius shall govern capacity.

**JIB POINT ELEVATION:** Jib point elevation is vertical distance from ground level to centerline of jib point shaft.

**MACHINE EQUIPMENT:** Machine equipped with 30 Ft. 9 in. crawlers, 48 in. treads, 28 Ft. retractable gantry, 12 part boom hoist reeving, four 1½ in. boom pendants or boom support straps, 248,700 Lb. crane counterweight, two 30,000 Lb. and four 15,000 Lb. carbody counterweights.

Maximum capacity on 1-1/8 in. wire rope is 30,000 Lbs. per line.

Maximum Boom and Jib Lengths Lifted Unassisted Over Front, Side or Rear of Crawlers	
Boom Length	Jib No. 132
330 Ft.	—
320 Ft.	—
310 Ft.	—
300 Ft.	—
290 Ft.	—
280 Ft.	60 Ft.
270 Ft.	120 Ft.

Load block, hook and weight ball on ground at start. Upper boom point cannot be used on 330 Ft. boom.



# Liftcrane Jib Capacities

# M-250 SERIES 3

Meets  
ANSI B30.5  
Requirements

**Jib No. 132 with 20 Ft. Strut on  
Boom No. 44 With Long Reach Top  
248,700 Lb. Crane Counterweight  
120,000 Lb. Carbody Counterweight  
360 Degree Rating**

## 40 Ft. JIB

Jib Oper. Rad. Feet	5 Degree Offset			15 Degree Offset			30 Degree Offset			Jib Oper. Rad. Feet
	Boom Ang. Deg.	Jib Point Elev. Feet	Jib Capacity Pounds	Boom Ang. Deg.	Jib Point Elev. Feet	Jib Capacity Pounds	Boom Ang. Deg.	Jib Point Elev. Feet	Jib Capacity Pounds	
<b>190 Ft. BOOM</b>										
45	81.3	236.9	100,000 *b							45
50	80.1	236.0	98,000 *b							50
55	78.8	235.0	94,500 *b	80.6	233.8	75,500 *b				55
60	77.6	233.9	91,100 *b	79.4	232.7	73,600 *b				60
65	76.3	232.7	88,100 *b	78.1	231.5	71,800 *b	79.9	228.7	57,000*	65
70	75.0	231.3	85,300 *b	76.8	230.1	70,100 *b	78.6	227.4	56,100*	70
75	73.7	229.8	82,600 *b	75.5	228.6	68,600 *b	77.3	225.8	54,800*	75
80	72.4	228.2	80,200 *b	74.2	227.0	67,100*	76.0	224.2	53,400*	80
85	71.1	226.5	77,900 *b	72.9	225.2	65,700*	74.6	222.4	52,000*	85
90	69.8	224.6	75,800 *b	71.6	223.4	64,400*	73.3	220.5	50,800*	90
95	68.5	222.6	73,800 *b	70.2	221.4	63,100*	71.9	218.5	49,600*	95
100	67.1	220.5	71,900 *b	68.9	219.2	62,000*	70.6	216.3	48,500*	100
105	65.8	218.2	70,200 *b	67.5	216.9	60,800*	69.2	214.0	47,400*	105
110	64.4	215.8	68,500 *b	66.1	214.5	59,800*	67.8	211.6	46,400*	110
115	63.0	213.2	66,900 *	64.7	211.9	58,800*	66.4	208.9	45,500*	115
120	61.6	210.5	65,500 *	63.3	209.2	57,900*	64.9	206.2	44,600*	120
125	60.2	207.6	64,100 *	61.9	206.3	57,000*	63.5	203.2	43,700*	125
130	58.8	204.6	61,300	60.4	203.2	56,100*	62.0	200.1	42,900*	130
140	55.8	197.9	55,100	57.4	196.5	54,600*	59.0	193.3	41,400*	140
150	52.7	190.5	49,900	54.3	189.0	50,500	55.8	185.6	40,100*	150
160	49.5	182.2	45,400	51.1	180.6	45,900	52.5	177.1	38,900*	160
170	46.1	172.8	41,400	47.7	171.2	41,800	49.0	167.4	37,900*	170
180	42.5	162.3	37,400 *	44.1	160.5	38,300	45.3	156.5	37,000*	180
190	38.7	150.2	33,300 *	40.2	148.3	34,200*				190
200	34.4	136.3	29,700 *	35.9	134.2	30,400*				200
210	29.7	119.7	26,300 *							210



# Liftcrane Jib Capacities

# M-250 SERIES 3

Jib No. 132 with 20 Ft. Strut on  
Boom No. 44 With Long Reach Top  
248,700 Lb. Crane Counterweight  
120,000 Lb. Carbody Counterweight  
360 Degree Rating

Meets  
ANSI B30.5  
Requirements

## 40 Ft. JIB

Jib Oper. Rad. Feet	5 Degree Offset			15 Degree Offset			30 Degree Offset			Jib Oper. Rad. Feet
	Boom Ang. Deg.	Jib Point Elev. Feet	Jib Capacity Pounds	Boom Ang. Deg.	Jib Point Elev. Feet	Jib Capacity Pounds	Boom Ang. Deg.	Jib Point Elev. Feet	Jib Capacity Pounds	
<b>200 Ft. BOOM</b>										
50	80.5	246.2	99,300 *b							50
55	79.3	245.3	95,700 *b							55
60	78.1	244.2	92,500 *b	79.8	243.0	74,200*b				60
65	76.9	243.0	89,400 *b	78.6	241.8	72,500*b	80.3	239.0	57,300*	65
70	75.7	241.7	86,600 *b	77.4	240.5	70,800*b	79.1	237.7	56,400*	70
75	74.4	240.3	84,000 *b	76.1	239.0	69,300*b	77.8	236.3	55,500*	75
80	73.2	238.7	81,600 *b	74.9	237.5	67,800*	76.6	234.7	54,100*	80
85	71.9	237.1	79,300 *b	73.6	235.8	66,500*	75.3	233.0	52,700*	85
90	70.7	235.3	77,200 *b	72.4	234.1	65,100*	74.0	231.2	51,500*	90
95	69.4	233.4	75,200 *b	71.1	232.1	63,900*	72.7	229.3	50,300*	95
100	68.1	231.4	73,300 *b	69.8	230.1	62,700*	71.4	227.2	49,200*	100
105	66.9	229.2	71,500 *b	68.5	227.9	61,600*	70.1	225.0	48,100*	105
110	65.6	226.9	69,900 *b	67.2	225.6	60,600*	68.8	222.7	47,100*	110
115	64.2	224.5	68,300 *b	65.9	223.2	59,600*	67.5	220.2	46,200*	115
120	62.9	221.9	66,800 *	64.5	220.6	58,700*	66.1	217.6	45,300*	120
125	61.6	219.2	64,100	63.2	217.8	57,800*	64.7	214.8	44,400*	125
130	60.2	216.3	60,600	61.8	214.9	56,900*	63.3	211.8	43,600*	130
140	57.4	210.0	54,500	59.0	208.6	55,200	60.5	205.4	42,100*	140
150	54.5	203.1	49,300	56.1	201.6	49,900	57.5	198.3	40,800*	150
160	51.5	195.3	44,700	53.1	193.8	45,300	54.4	190.3	39,600*	160
170	48.4	186.6	40,700	49.9	185.0	41,200	51.2	181.4	38,500*	170
180	45.1	176.9	37,100 *	46.6	175.2	37,700	47.8	171.4	37,600*	180
190	41.6	166.0	33,000 *	43.0	164.2	33,900*	44.2	160.1	34,800	190
200	37.8	153.6	29,400 *	39.2	151.6	30,100*				200
210	33.7	139.3	26,100 *	35.0	137.1	26,700*				210
220	29.0	122.3	23,000 *							220





# Liftcrane Jib Capacities

# M-250 SERIES 3

<p>Meets ANSI B30.5 Requirements</p>
--

Jib No. 132 with 20 Ft. Strut on  
Boom No. 44 With Long Reach Top  
248,700 Lb. Crane Counterweight  
120,000 Lb. Carbody Counterweight  
360 Degree Rating

## 40 Ft. JIB

Jib Oper. Rad. Feet	5 Degree Offset			15 Degree Offset			30 Degree Offset			Jib Oper. Rad. Feet
	Boom Ang. Deg.	Jib Point Elev. Feet	Jib Capacity Pounds	Boom Ang. Deg.	Jib Point Elev. Feet	Jib Capacity Pounds	Boom Ang. Deg.	Jib Point Elev. Feet	Jib Capacity Pounds	
<b>210 Ft. BOOM</b>										
50	80.9	256.4	99,900 *b							50
55	79.7	255.4	96,900 *b							55
60	78.6	254.4	93,700 *b	80.2	253.2	74,800 *b				60
65	77.4	253.3	90,700 *b	79.1	252.1	73,100 *b	80.7	249.3	57,500*	65
70	76.2	252.0	87,900 *b	77.9	250.8	71,500 *b	79.5	248.0	56,700*	70
75	75.1	250.7	85,300 *b	76.7	249.4	70,000 *b	78.3	246.7	55,900*	75
80	73.9	249.2	82,900 *b	75.5	248.0	68,500 *b	77.1	245.2	54,700*	80
85	72.7	247.6	80,600 *b	74.3	246.4	67,200*	75.9	243.6	53,400*	85
90	71.5	245.9	78,500 *b	73.1	244.7	65,900*	74.7	241.8	52,100*	90
95	70.3	244.1	76,500 *b	71.9	242.9	64,700*	73.5	240.0	51,000*	95
100	69.1	242.2	74,600 *b	70.7	240.9	63,500*	72.2	238.0	49,900*	100
105	67.8	240.1	72,800 *b	69.4	238.8	62,400*	71.0	235.9	48,800*	105
110	66.6	237.9	71,200 *b	68.2	236.6	61,400*	69.7	233.7	47,800*	110
115	65.3	235.6	69,600 *b	66.9	234.3	60,400*	68.4	231.3	46,900*	115
120	64.1	233.2	67,500 b	65.6	231.8	59,400*	67.2	228.8	46,000*	120
125	62.8	230.6	63,700	64.4	229.2	58,500*	65.8	226.2	45,100*	125
130	61.5	227.8	60,300	63.1	226.5	57,700*	64.5	223.4	44,300*	130
140	58.9	221.9	54,200	60.4	220.5	54,900	61.8	217.4	42,800*	140
150	56.1	215.3	48,900	57.7	213.9	49,600	59.0	210.6	41,500*	150
160	53.3	208.1	44,400	54.8	206.6	45,000	56.2	203.2	40,300*	160
170	50.4	200.0	40,400	51.9	198.4	40,900	53.2	194.9	39,200*	170
180	47.3	191.0	36,900	48.8	189.3	37,400	50.0	185.6	37,700	180
190	44.1	180.9	33,100 *	45.5	179.2	34,100*	46.7	175.3	34,500	190
200	40.7	169.7	29,500 *	42.1	167.8	30,300*	43.2	163.6	30,700*	200
210	37.0	156.9	26,200 *	38.4	154.9	26,900*				210
220	33.0	142.2	23,200 *	34.2	139.9	23,800*				220
230	28.4	124.7	20,400 *							230



# Liftcrane Jib Capacities

# M-250 SERIES 3

Jib No. 132 with 20 Ft. Strut on  
Boom No. 44 With Long Reach Top  
248,700 Lb. Crane Counterweight  
120,000 Lb. Carbody Counterweight  
360 Degree Rating

Meets  
ANSI B30.5  
Requirements

## 40 Ft. JIB

Jib Oper. Rad. Feet	5 Degree Offset			15 Degree Offset			30 Degree Offset			Jib Oper. Rad. Feet
	Boom Ang. Deg.	Jib Point Elev. Feet	Jib Capacity Pounds	Boom Ang. Deg.	Jib Point Elev. Feet	Jib Capacity Pounds	Boom Ang. Deg.	Jib Point Elev. Feet	Jib Capacity Pounds	
<b>220 Ft. BOOM</b>										
55	80.1	265.6	90,000 *b							55
60	79.0	264.6	90,000 *b	80.6	263.4	75,400*b				60
65	77.9	263.5	90,000 *b	79.5	262.3	73,700*b				65
70	76.8	262.3	89,100 *b	78.4	261.1	72,100*b	80.0	258.3	57,000*	70
75	75.6	261.0	86,600 *b	77.2	259.8	70,600*b	78.8	257.0	56,200*	75
80	74.5	259.6	84,200 *b	76.1	258.4	69,200*b	77.6	255.6	55,300*	80
85	73.4	258.1	81,900 *b	74.9	256.9	67,900*	76.5	254.0	54,000*	85
90	72.2	256.5	79,800 *b	73.8	255.2	66,600*	75.3	252.4	52,800*	90
95	71.1	254.8	77,800 *b	72.6	253.5	65,400*	74.1	250.6	51,600*	95
100	69.9	252.9	75,900 *b	71.4	251.6	64,200*	73.0	248.7	50,500*	100
105	68.7	250.9	74,100 *b	70.3	249.7	63,100*	71.8	246.7	49,500*	105
110	67.5	248.9	72,400 *b	69.1	247.6	62,100*	70.6	244.6	48,500*	110
115	66.3	246.6	70,900 *b	67.9	245.3	61,100*	69.3	242.4	47,600*	115
120	65.1	244.3	66,900 b	66.7	243.0	60,200*	68.1	240.0	46,700*	120
125	63.9	241.8	63,100 b	65.4	240.5	59,300*	66.9	237.5	45,800*	125
130	62.7	239.2	59,700	64.2	237.9	58,400*	65.6	234.8	45,000*	130
140	60.2	233.6	53,500	61.7	232.2	54,300	63.1	229.1	43,500*	140
150	57.6	227.4	48,300	59.1	226.0	49,000	60.4	222.7	42,200*	150
160	55.0	220.5	43,700	56.4	219.0	44,400	57.7	215.7	40,900*	160
170	52.2	212.9	39,800	53.6	211.4	40,300	54.9	207.9	39,800*	170
180	49.4	204.5	36,300	50.8	202.9	36,800	52.0	199.3	37,200	180
190	46.4	195.2	32,700 *	47.8	193.5	33,600	48.9	189.7	33,900	190
200	43.2	184.9	29,100 *	44.6	183.1	30,000*	45.7	179.1	30,900*	200
210	39.9	173.3	25,800 *	41.2	171.4	26,600*				210
220	36.3	160.1	22,800 *	37.5	158.1	23,500*				220
230	32.3	145.0	20,100 *	33.5	142.7	20,600*				230
240	27.8	127.2	17,500 *							240



# Liftcrane Jib Capacities

# M-250 SERIES 3

Meets  
ANSI B30.5  
Requirements

Jib No. 132 with 20 Ft. Strut on  
Boom No. 44 With Long Reach Top  
248,700 Lb. Crane Counterweight  
120,000 Lb. Carbody Counterweight  
360 Degree Rating

## 40 Ft. JIB

Jib Oper. Rad. Feet	5 Degree Offset			15 Degree Offset			30 Degree Offset			Jib Oper. Rad. Feet
	Boom Ang. Deg.	Jib Point Elev. Feet	Jib Capacity Pounds	Boom Ang. Deg.	Jib Point Elev. Feet	Jib Capacity Pounds	Boom Ang. Deg.	Jib Point Elev. Feet	Jib Capacity Pounds	
<b>230 Ft. BOOM</b>										
55	80.5	275.8	90,000 *b							55
60	79.4	274.8	90,000 *b	81.0	273.6	75,900*b				60
65	78.4	273.8	90,000 *b	79.9	272.6	74,300*b				65
70	77.3	272.6	90,000 *b	78.8	271.4	72,700*b	80.3	268.6	57,200*	70
75	76.2	271.4	87,700 *b	77.7	270.2	71,200*b	79.2	267.3	56,500*	75
80	75.1	270.0	85,300 *b	76.6	268.8	69,800*b	78.1	266.0	55,700*	80
85	74.0	268.6	83,100 *b	75.5	267.3	68,500*b	77.0	264.5	54,600*	85
90	72.9	267.0	81,000 *b	74.4	265.8	67,200*	75.9	262.9	53,400*	90
95	71.8	265.4	79,000 *b	73.3	264.1	66,000*	74.8	261.2	52,200*	95
100	70.7	263.6	77,100 *b	72.2	262.3	64,900*	73.6	259.4	51,100*	100
105	69.5	261.7	75,300 *b	71.0	260.4	63,800*	72.5	257.5	50,100*	105
110	68.4	259.7	73,600 *b	69.9	258.4	62,800*	71.3	255.5	49,100*	110
115	67.3	257.6	70,500 b	68.7	256.3	61,800*	70.2	253.3	48,200*	115
120	66.1	255.4	66,300 b	67.6	254.0	60,900*	69.0	251.0	47,300*	120
125	65.0	253.0	62,500 b	66.4	251.7	60,000*	67.8	248.6	46,500*	125
130	63.8	250.5	59,100 b	65.2	249.2	59,100*	66.6	246.1	45,700*	130
140	61.4	245.2	53,000	62.8	243.8	53,800	64.2	240.7	44,200*	140
150	58.9	239.2	47,700	60.4	237.8	48,400	61.7	234.6	42,800*	150
160	56.4	232.7	43,200	57.8	231.3	43,800	59.1	228.0	41,500*	160
170	53.8	225.6	39,200	55.2	224.1	39,800	56.5	220.7	40,300	170
180	51.2	217.7	35,700	52.5	216.1	36,200	53.7	212.6	36,700	180
190	48.4	209.0	32,400 *	49.7	207.4	33,000	50.9	203.7	33,400	190
200	45.4	199.4	28,800 *	46.8	197.7	29,700*	47.9	193.8	30,500	200
210	42.4	188.7	25,500 *	43.7	186.9	26,300*	44.7	182.8	27,100*	210
220	39.1	176.8	22,500 *	40.4	174.8	23,200*				220
230	35.6	163.3	19,800 *	36.8	161.2	20,400*				230
240	31.7	147.8	17,200 *	32.8	145.5	17,700*				240
250	27.3	129.6	14,800 *							250



# Liftcrane Jib Capacities

# M-250 SERIES 3

Jib No. 132 with 20 Ft. Strut on  
Boom No. 44 With Long Reach Top  
248,700 Lb. Crane Counterweight  
120,000 Lb. Carbody Counterweight  
360 Degree Rating

Meets  
ANSI B30.5  
Requirements

## 40 Ft. JIB

Jib Oper. Rad. Feet	5 Degree Offset			15 Degree Offset			30 Degree Offset			Jib Oper. Rad. Feet
	Boom Ang. Deg.	Jib Point Elev. Feet	Jib Capacity Pounds	Boom Ang. Deg.	Jib Point Elev. Feet	Jib Capacity Pounds	Boom Ang. Deg.	Jib Point Elev. Feet	Jib Capacity Pounds	
<b>240 Ft. BOOM</b>										
55	80.8	286.0	90,000 *b							55
60	79.8	285.0	90,000 *b							60
65	78.8	284.0	90,000 *b	80.2	282.8	74,800*b				65
70	77.7	282.9	90,000 *b	79.2	281.7	73,300*b	80.7	278.9	57,500*	70
75	76.7	281.7	88,900 *b	78.2	280.5	71,800*b	79.6	277.7	56,700*	75
80	75.6	280.4	86,500 *b	77.1	279.2	70,400*b	78.6	276.3	56,000*	80
85	74.6	279.0	84,300 *b	76.0	277.8	69,100*b	77.5	274.9	55,100*	85
90	73.5	277.5	82,200 *b	75.0	276.3	67,900*	76.4	273.4	53,900*	90
95	72.5	275.9	80,200 *b	73.9	274.6	66,700*	75.3	271.8	52,800*	95
100	71.4	274.2	78,300 *b	72.8	272.9	65,600*	74.2	270.0	51,700*	100
105	70.3	272.4	76,500 *b	71.7	271.1	64,500*	73.1	268.2	50,700*	105
110	69.2	270.5	74,400 b	70.6	269.2	63,500*	72.0	266.3	49,700*	110
115	68.1	268.5	69,900 b	69.5	267.1	62,500*	70.9	264.2	48,800*	115
120	67.0	266.3	65,700 b	68.4	265.0	61,500*	69.8	262.0	47,900*	120
125	65.9	264.1	61,900 b	67.3	262.7	60,700*	68.7	259.7	47,100*	125
130	64.8	261.7	58,400 b	66.2	260.3	59,400	67.5	257.3	46,300*	130
140	62.5	256.6	52,300	63.9	255.2	53,200	65.2	252.1	44,800*	140
150	60.2	250.9	47,100	61.5	249.5	47,800	62.8	246.4	43,400*	150
160	57.8	244.7	42,500	59.1	243.3	43,200	60.4	240.0	42,200*	160
170	55.3	238.0	38,500	56.7	236.5	39,200	57.9	233.1	39,700	170
180	52.8	230.5	35,000	54.1	229.0	35,600	55.3	225.5	36,100	180
190	50.2	222.3	31,900	51.5	220.7	32,400	52.6	217.1	32,800	190
200	47.4	213.3	28,300 *	48.7	211.7	29,300*	49.8	207.9	29,900	200
210	44.6	203.4	25,000 *	45.8	201.7	25,900*	46.9	197.7	26,700*	210
220	41.6	192.5	22,000 *	42.8	190.6	22,800*	43.8	186.4	23,500*	220
230	38.4	180.2	19,300 *	39.6	178.2	20,000*				230
240	34.9	166.4	16,800 *	36.0	164.2	17,400*				240
250	31.1	150.5	14,500 *	32.2	148.1	14,900*				250
260	26.8	131.9	12,200 *							260



# Liftcrane Jib Capacities

# M-250 SERIES 3

Meets  
ANSI B30.5  
Requirements

Jib No. 132 with 20 Ft. Strut on  
Boom No. 44 With Long Reach Top  
248,700 Lb. Crane Counterweight  
120,000 Lb. Carbody Counterweight  
360 Degree Rating

## 40 Ft. JIB

Jib Oper. Rad. Feet	5 Degree Offset			15 Degree Offset			30 Degree Offset			Jib Oper. Rad. Feet
	Boom Ang. Deg.	Jib Point Elev. Feet	Jib Capacity Pounds	Boom Ang. Deg.	Jib Point Elev. Feet	Jib Capacity Pounds	Boom Ang. Deg.	Jib Point Elev. Feet	Jib Capacity Pounds	
<b>250 Ft. BOOM</b>										
60	80.2	295.2	90,000 *b							60
65	79.2	294.2	90,000 *b	80.6	293.0	75,300*b				65
70	78.2	293.2	90,000 *b	79.6	291.9	73,800*b				70
75	77.2	292.0	90,000 *b	78.6	290.8	72,400*b	80.0	287.9	57,000*	75
80	76.1	290.8	87,600 *b	77.6	289.5	71,000*b	79.0	286.7	56,300*	80
85	75.1	289.4	85,400 *b	76.5	288.1	69,700*b	77.9	285.3	55,600*	85
90	74.1	288.0	83,300 *b	75.5	286.7	68,500*b	76.9	283.8	54,500*	90
95	73.1	286.4	81,300 *b	74.5	285.2	67,300*	75.9	282.3	53,400*	95
100	72.0	284.8	79,400 *b	73.4	283.5	66,200*	74.8	280.6	52,300*	100
105	71.0	283.0	77,600 *b	72.4	281.8	65,100*	73.8	278.8	51,300*	105
110	70.0	281.2	74,000 b	71.3	279.9	64,100*	72.7	277.0	50,300*	110
115	68.9	279.3	69,500 b	70.3	277.9	63,100*	71.6	275.0	49,400*	115
120	67.8	277.2	65,300 b	69.2	275.9	62,200*	70.6	272.9	48,500*	120
125	66.8	275.0	61,500 b	68.1	273.7	61,300*	69.5	270.7	47,700*	125
130	65.7	272.8	58,000 b	67.1	271.4	59,000	68.4	268.4	46,900*	130
140	63.5	267.9	51,900	64.9	266.5	52,800	66.2	263.4	45,400*	140
150	61.3	262.5	46,700	62.6	261.1	47,500	63.9	257.9	44,000*	150
160	59.0	256.6	42,100	60.3	255.1	42,800	61.6	251.9	42,700*	160
170	56.7	250.1	38,100	58.0	248.7	38,800	59.2	245.3	39,400	170
180	54.3	243.1	34,600	55.6	241.5	35,200	56.7	238.1	35,800	180
190	51.8	235.3	31,500	53.1	233.8	32,000	54.2	230.2	32,500	190
200	49.2	226.9	28,200 *	50.5	225.3	29,200*	51.6	221.6	29,600	200
210	46.6	217.6	24,900 *	47.8	215.9	25,800*	48.8	212.1	26,700*	210
220	43.8	207.4	21,900 *	45.0	205.6	22,700*	45.9	201.6	23,500*	220
230	40.8	196.2	19,200 *	42.0	194.3	19,900*				230
240	37.7	183.6	16,700 *	38.8	181.6	17,300*				240
250	34.3	169.4	14,400 *	35.4	167.2	14,900*				250
260	30.5	153.2	12,200 *	31.6	150.8	12,700*				260
270	26.3	134.2	10,200 *							270



# Liftcrane Jib Capacities

# M-250 SERIES 3

Jib No. 132 with 20 Ft. Strut on  
Boom No. 44 With Long Reach Top  
248,700 Lb. Crane Counterweight  
120,000 Lb. Carbody Counterweight  
360 Degree Rating

Meets  
ANSI B30.5  
Requirements

## 40 Ft. JIB

Jib Oper. Rad. Feet	5 Degree Offset			15 Degree Offset			30 Degree Offset			Jib Oper. Rad. Feet
	Boom Ang. Deg.	Jib Point Elev. Feet	Jib Capacity Pounds	Boom Ang. Deg.	Jib Point Elev. Feet	Jib Capacity Pounds	Boom Ang. Deg.	Jib Point Elev. Feet	Jib Capacity Pounds	
<b>260 Ft. BOOM</b>										
60	80.5	305.4	90,000 *b							60
65	79.5	304.4	90,000 *b	80.9	303.2	75,800*b				65
70	78.6	303.4	90,000 *b	79.9	302.2	74,300*b				70
75	77.6	302.3	90,000 *b	79.0	301.0	72,900*b	80.3	298.2	57,200*	75
80	76.6	301.1	88,700 *b	78.0	299.8	71,500*b	79.4	297.0	56,500*	80
85	75.6	299.8	86,500 *b	77.0	298.5	70,300*b	78.4	295.7	55,900*	85
90	74.6	298.4	84,400 *b	76.0	297.1	69,100*b	77.4	294.2	55,000*	90
95	73.7	296.9	82,400 *b	75.0	295.6	67,900*	76.4	292.7	53,900*	95
100	72.7	295.3	80,500 *b	74.0	294.0	66,800*	75.3	291.1	52,900*	100
105	71.7	293.6	78,500 b	73.0	292.4	65,700*	74.3	289.4	51,800*	105
110	70.7	291.9	73,400 b	72.0	290.6	64,700*	73.3	287.6	50,900*	110
115	69.6	290.0	68,800 b	71.0	288.7	63,800*	72.3	285.7	50,000*	115
120	68.6	288.0	64,700 b	70.0	286.7	62,800*	71.2	283.7	49,100*	120
125	67.6	285.9	60,900 b	68.9	284.6	61,900*	70.2	281.6	48,300*	125
130	66.6	283.8	57,400 b	67.9	282.4	58,500	69.2	279.4	47,500*	130
140	64.5	279.1	51,300 b	65.8	277.7	52,200	67.0	274.6	46,000*	140
150	62.3	273.9	46,000	63.6	272.5	46,900	64.9	269.4	44,600*	150
160	60.2	268.3	41,500	61.4	266.8	42,200	62.6	263.6	43,000	160
170	57.9	262.1	37,500	59.2	260.6	38,200	60.4	257.4	38,800	170
180	55.6	255.4	34,000	56.9	253.9	34,600	58.0	250.5	35,200	180
190	53.3	248.0	30,900	54.5	246.5	31,400	55.6	243.0	31,900	190
200	50.9	240.1	27,600 *	52.1	238.5	28,600	53.2	234.9	29,000	200
210	48.3	231.3	24,400 *	49.6	229.7	25,300*	50.6	225.9	26,200*	210
220	45.7	221.8	21,400 *	46.9	220.1	22,200*	47.9	216.1	23,000*	220
230	43.0	211.3	18,700 *	44.2	209.5	19,400*	45.1	205.4	20,100*	230
240	40.1	199.8	16,200 *	41.2	197.8	16,800*				240
250	37.0	186.9	13,900 *	38.1	184.8	14,500*				250
260	33.7	172.4	11,700 *	34.7	170.2	12,200*				260
270	30.0	155.9	9,700 *							270
280	25.8	136.4	7,800 *							280



# Liftcrane Jib Capacities

# M-250 SERIES 3

Meets  
ANSI B30.5  
Requirements

Jib No. 132 with 20 Ft. Strut on  
Boom No. 44 With Long Reach Top  
248,700 Lb. Crane Counterweight  
120,000 Lb. Carbody Counterweight  
360 Degree Rating

## 40 Ft. JIB

Jib Oper. Rad. Feet	5 Degree Offset			15 Degree Offset			30 Degree Offset			Jib Oper. Rad. Feet
	Boom Ang. Deg.	Jib Point Elev. Feet	Jib Capacity Pounds	Boom Ang. Deg.	Jib Point Elev. Feet	Jib Capacity Pounds	Boom Ang. Deg.	Jib Point Elev. Feet	Jib Capacity Pounds	
<b>270 Ft. BOOM</b>										
60	80.8	315.5	90,000 *b							60
65	79.9	314.6	89,200 *b							65
70	78.9	313.6	88,300 *b	80.3	312.4	74,700 *b				70
75	78.0	312.5	87,500 *b	79.3	311.3	73,400 *b	80.7	308.4	57,400*	75
80	77.0	311.4	86,700 *b	78.4	310.1	72,000 *b	79.7	307.3	56,800*	80
85	76.1	310.1	85,900 *b	77.4	308.9	70,800 *b	78.7	306.0	56,100*	85
90	75.1	308.8	85,200 *b	76.5	307.5	69,600 *b	77.8	304.6	55,500*	90
95	74.2	307.3	82,900 *b	75.5	306.1	68,400 *b	76.8	303.2	54,400*	95
100	73.2	305.8	80,800 *b	74.5	304.5	67,400*	75.8	301.6	53,400*	100
105	72.3	304.2	77,900 b	73.6	302.9	66,300*	74.9	300.0	52,400*	105
110	71.3	302.5	72,800 b	72.6	301.2	65,300*	73.9	298.3	51,400*	110
115	70.3	300.7	68,300 b	71.6	299.4	64,300*	72.9	296.4	50,500*	115
120	69.3	298.8	64,100 b	70.6	297.5	63,400*	71.9	294.5	49,600*	120
125	68.4	296.8	60,300 b	69.6	295.5	61,500	70.9	292.5	48,800*	125
130	67.4	294.7	56,800 b	68.6	293.3	57,900	69.9	290.3	48,000*	130
140	65.3	290.2	50,700 b	66.6	288.8	51,700	67.8	285.7	46,500*	140
150	63.3	285.2	45,400	64.6	283.8	46,300	65.8	280.7	45,100*	150
160	61.2	279.8	40,900	62.5	278.4	41,700	63.6	275.2	42,400	160
170	59.1	273.9	36,900	60.3	272.5	37,600	61.5	269.2	38,300	170
180	56.9	267.5	33,400	58.1	266.0	34,100	59.2	262.7	34,700	180
190	54.7	260.5	30,300	55.9	259.0	30,900	57.0	255.6	31,400	190
200	52.4	252.9	27,200 *	53.6	251.4	28,000	54.6	247.8	28,500	200
210	50.0	244.7	23,900 *	51.2	243.1	24,900*	52.2	239.4	25,900*	210
220	47.5	235.7	20,900 *	48.7	234.0	21,800*	49.7	230.2	22,600*	220
230	44.9	225.9	18,200 *	46.1	224.2	19,000*	47.0	220.2	19,700*	230
240	42.2	215.2	15,700 *	43.4	213.3	16,400*	44.2	209.1	17,000*	240
250	39.4	203.3	13,400 *	40.5	201.3	14,000*				250
260	36.4	190.1	11,300 *	37.4	188.0	11,800*				260
270	33.1	175.3	9,300 *	34.1	173.0	9,800*				270
280	29.5	158.5	7,400 *							280
290	25.4	138.6	5,600 *							290



# Liftcrane Jib Capacities

# M-250 SERIES 3

Jib No. 132 with 20 Ft. Strut on  
Boom No. 44 With Long Reach Top  
248,700 Lb. Crane Counterweight  
120,000 Lb. Carbody Counterweight  
360 Degree Rating

Meets  
ANSI B30.5  
Requirements

## 40 Ft. JIB

Jib Oper. Rad. Feet	5 Degree Offset			15 Degree Offset			30 Degree Offset			Jib Oper. Rad. Feet
	Boom Ang. Deg.	Jib Point Elev. Feet	Jib Capacity Pounds	Boom Ang. Deg.	Jib Point Elev. Feet	Jib Capacity Pounds	Boom Ang. Deg.	Jib Point Elev. Feet	Jib Capacity Pounds	
<b>280 Ft. BOOM</b>										
65	80.2	324.8	83,100 *b							65
70	79.3	323.8	82,300 *b	80.6	322.6	75,200*b				70
75	78.4	322.8	81,500 *b	79.7	321.5	73,800*b	81.0	318.7	57,600*	75
80	77.5	321.7	80,800 *b	78.7	320.4	72,500*b	80.0	317.5	57,000*	80
85	76.5	320.4	80,000 *b	77.8	319.2	71,300*b	79.1	316.3	56,300*	85
90	75.6	319.1	79,300 *b	76.9	317.9	70,100*b	78.2	315.0	55,700*	90
95	74.7	317.8	78,500 *b	76.0	316.5	69,000*b	77.2	313.6	54,900*	95
100	73.8	316.3	77,800 *b	75.0	315.0	67,900*	76.3	312.1	53,900*	100
105	72.8	314.7	77,100 *b	74.1	313.4	66,900*	75.4	310.5	52,900*	105
110	71.9	313.1	72,200b	73.2	311.8	65,900*	74.4	308.8	51,900*	110
115	71.0	311.3	67,600b	72.2	310.0	64,900*	73.5	307.1	51,000*	115
120	70.0	309.5	63,500b	71.3	308.2	64,000*	72.5	305.2	50,200*	120
125	69.1	307.6	59,700b	70.3	306.2	60,900	71.5	303.2	49,300*	125
130	68.1	305.5	56,200b	69.3	304.2	57,300	70.6	301.2	48,600*	130
140	66.2	301.2	50,100b	67.4	299.8	51,100	68.6	296.8	47,100*	140
150	64.2	296.4	44,800b	65.4	295.0	45,700	66.6	291.9	45,700*	150
160	62.2	291.2	40,200	63.4	289.8	41,100	64.5	286.7	41,900	160
170	60.1	285.6	36,200	61.4	284.1	37,000	62.5	280.9	37,700	170
180	58.1	279.4	32,700	59.3	278.0	33,400	60.3	274.7	34,100	180
190	55.9	272.8	29,600	57.1	271.3	30,200	58.2	267.9	30,800	190
200	53.7	265.6	26,600 *	54.9	264.0	27,400	55.9	260.5	27,900	200
210	51.5	257.7	23,300 *	52.6	256.1	24,300*	53.6	252.5	25,300	210
220	49.1	249.2	20,300 *	50.3	247.6	21,200*	51.2	243.9	22,100*	220
230	46.7	240.0	17,600 *	47.8	238.3	18,400*	48.8	234.4	19,200*	230
240	44.2	229.9	15,100 *	45.3	228.1	15,900*	46.2	224.1	16,500*	240
250	41.5	218.9	12,800 *	42.6	217.0	13,500*	43.5	212.7	14,100*	250
260	38.7	206.8	10,700 *	39.8	204.8	11,300*				260
270	35.8	193.3	8,800 *	36.8	191.2	9,300*				270
280	32.5	178.2	6,900 *	33.5	175.9	7,300*				280
290	29.0	161.0	5,100 *							290





# Liftcrane Jib Capacities

# M-250 SERIES 3

Meets  
ANSI B30.5  
Requirements

Jib No. 132 with 20 Ft. Strut on  
Boom No. 44 With Long Reach Top  
248,700 Lb. Crane Counterweight  
120,000 Lb. Carbody Counterweight  
360 Degree Rating

## 60 Ft. JIB

Jib Oper. Rad. Feet	5 Degree Offset			15 Degree Offset			30 Degree Offset			Jib Oper. Rad. Feet
	Boom Ang. Deg.	Jib Point Elev. Feet	Jib Capacity Pounds	Boom Ang. Deg.	Jib Point Elev. Feet	Jib Capacity Pounds	Boom Ang. Deg.	Jib Point Elev. Feet	Jib Capacity Pounds	
<b>190 Ft. BOOM</b>										
55	80.8	255.1	73,500 *b							55
60	79.6	254.1	72,300 *b							60
65	78.4	253.0	71,100 *	80.9	250.9	59,800*				65
70	77.3	251.7	70,000 *	79.7	249.6	59,100*				70
75	76.1	250.4	68,900 *	78.5	248.3	58,400*				75
80	74.9	248.9	67,900 *	77.3	246.8	57,700*	79.8	242.5	39,900*	80
85	73.7	247.3	66,900 *	76.1	245.2	57,100*	78.6	240.9	38,900*	85
90	72.5	245.6	66,000 *	74.9	243.5	56,500*	77.3	239.1	38,000*	90
95	71.3	243.8	65,100 *	73.7	241.6	55,900*	76.1	237.3	37,100*	95
100	70.1	241.9	64,200 *	72.5	239.7	55,400*	74.8	235.3	36,200*	100
105	68.9	239.8	63,300 *	71.2	237.6	54,900*	73.6	233.2	35,500*	105
110	67.6	237.6	62,500 *	70.0	235.4	54,400*	72.3	230.9	34,700*	110
115	66.4	235.3	61,700 *	68.7	233.1	53,500*	71.0	228.5	34,000*	115
120	65.1	232.8	61,000 *	67.4	230.6	52,100*	69.7	226.0	33,300*	120
125	63.8	230.2	59,800 *	66.1	228.0	50,700*	68.4	223.3	32,700*	125
130	62.5	227.5	58,400 *	64.8	225.2	49,500*	67.0	220.5	32,100*	130
140	59.9	221.6	55,700 *	62.1	219.2	47,100*	64.3	214.3	30,900*	140
150	57.1	215.0	50,800	59.4	212.5	45,000*	61.5	207.5	29,900*	150
160	54.3	207.7	46,300	56.5	205.1	43,100*	58.5	199.9	29,000*	160
170	51.4	199.6	42,300	53.6	196.9	41,400*	55.5	191.5	28,200*	170
180	48.3	190.6	38,700	50.5	187.8	39,300	52.3	182.1	27,400*	180
190	45.1	180.5	35,600	47.2	177.6	36,100	48.9	171.5	26,800*	190
200	41.7	169.2	32,000 *	43.7	166.0	33,200*				200
210	38.0	156.4	28,600 *	39.9	152.9	29,700*				210
220	33.9	141.6	25,600 *	35.7	137.8	26,400*				220
230	29.3	124.1	22,700 *							230



# Liftcrane Jib Capacities

# M-250 SERIES 3

Meets  
ANSI B30.5  
Requirements

Jib No. 132 with 20 Ft. Strut on  
Boom No. 44 With Long Reach Top  
248,700 Lb. Crane Counterweight  
120,000 Lb. Carbody Counterweight  
360 Degree Rating

## 60 Ft. JIB

Jib Oper. Rad. Feet	5 Degree Offset			15 Degree Offset			30 Degree Offset			Jib Oper. Rad. Feet
	Boom Ang. Deg.	Jib Point Elev. Feet	Jib Capacity Pounds	Boom Ang. Deg.	Jib Point Elev. Feet	Jib Capacity Pounds	Boom Ang. Deg.	Jib Point Elev. Feet	Jib Capacity Pounds	
<b>200 Ft. BOOM</b>										
60	80.0	264.3	72,700 *b							60
65	78.9	263.2	71,600 *							65
70	77.8	262.0	70,500 *	80.1	259.9	59,300*				70
75	76.6	260.7	69,400 *	79.0	258.6	58,600*				75
80	75.5	259.3	68,400 *	77.8	257.2	58,000*	80.2	252.9	40,200*	80
85	74.4	257.8	67,400 *	76.7	255.7	57,400*	79.0	251.3	39,300*	85
90	73.2	256.2	66,500 *	75.5	254.0	56,800*	77.8	249.7	38,400*	90
95	72.1	254.4	65,600 *	74.4	252.3	56,200*	76.7	247.9	37,500*	95
100	70.9	252.6	64,700 *	73.2	250.4	55,700*	75.5	246.0	36,700*	100
105	69.7	250.6	63,900 *	72.0	248.4	55,200*	74.2	244.0	35,900*	105
110	68.5	248.5	63,100 *	70.8	246.3	54,700*	73.0	241.8	35,100*	110
115	67.3	246.3	62,300 *	69.6	244.1	54,200*	71.8	239.5	34,400*	115
120	66.1	244.0	60,800 *	68.4	241.7	53,100*	70.5	237.1	33,800*	120
125	64.9	241.5	59,400 *	67.1	239.2	51,800*	69.3	234.6	33,100*	125
130	63.7	238.9	58,000 *	65.9	236.6	50,500*	68.0	231.9	32,500*	130
140	61.2	233.3	55,400 *	63.3	230.9	48,100*	65.4	226.1	31,400*	140
150	58.6	227.0	50,200	60.7	224.6	46,000*	62.8	219.6	30,400*	150
160	55.9	220.1	45,600	58.1	217.6	44,100*	60.0	212.5	29,500*	160
170	53.2	212.5	41,600	55.3	209.9	42,400	57.1	204.6	28,600*	170
180	50.3	204.1	38,100	52.4	201.4	38,700	54.2	195.8	27,900*	180
190	47.3	194.8	34,900	49.3	191.9	35,500	51.0	186.1	27,200*	190
200	44.2	184.4	31,600 *	46.1	181.4	32,600	47.7	175.1	26,600*	200
210	40.8	172.8	28,300 *	42.7	169.5	29,400*				210
220	37.2	159.6	25,200 *	39.0	156.1	26,200*				220
230	33.2	144.4	22,400 *	34.9	140.5	23,200*				230
240	28.7	126.5	19,800 *							240



# Liftcrane Jib Capacities

# M-250 SERIES 3

<p>Meets ANSI B30.5 Requirements</p>
--

Jib No. 132 with 20 Ft. Strut on  
Boom No. 44 With Long Reach Top  
248,700 Lb. Crane Counterweight  
120,000 Lb. Carbody Counterweight  
360 Degree Rating

## 60 Ft. JIB

Jib Oper. Rad. Feet	5 Degree Offset			15 Degree Offset			30 Degree Offset			Jib Oper. Rad. Feet
	Boom Ang. Deg.	Jib Point Elev. Feet	Jib Capacity Pounds	Boom Ang. Deg.	Jib Point Elev. Feet	Jib Capacity Pounds	Boom Ang. Deg.	Jib Point Elev. Feet	Jib Capacity Pounds	
<b>210 Ft. BOOM</b>										
60	80.4	274.5	73,100 *b							60
65	79.3	273.5	72,000 *b							65
70	78.2	272.3	70,900 *	80.5	270.2	59,500*				70
75	77.1	271.1	69,900 *	79.4	268.9	58,900*				75
80	76.1	269.7	68,900 *	78.3	267.6	58,200*	80.6	263.2	40,600*	80
85	75.0	268.3	67,900 *	77.2	266.1	57,700*	79.5	261.8	39,600*	85
90	73.9	266.7	67,000 *	76.1	264.5	57,100*	78.3	260.1	38,700*	90
95	72.7	265.0	66,100 *	75.0	262.9	56,500*	77.2	258.4	37,900*	95
100	71.6	263.3	65,300 *	73.8	261.1	56,000*	76.0	256.6	37,100*	100
105	70.5	261.4	64,400 *	72.7	259.2	55,500*	74.9	254.7	36,300*	105
110	69.4	259.4	63,700 *	71.6	257.1	55,000*	73.7	252.6	35,600*	110
115	68.2	257.3	62,100 *	70.4	255.0	54,500*	72.5	250.4	34,900*	115
120	67.1	255.0	60,500 *	69.2	252.8	54,000*	71.3	248.1	34,200*	120
125	65.9	252.7	59,200 *	68.1	250.4	52,800*	70.1	245.7	33,600*	125
130	64.7	250.2	57,800 *	66.9	247.9	51,500*	68.9	243.2	33,000*	130
140	62.3	244.8	55,100	64.5	242.4	49,200*	66.5	237.6	31,800*	140
150	59.9	238.9	49,900	62.0	236.5	47,000*	63.9	231.5	30,800*	150
160	57.4	232.4	45,300	59.4	229.9	45,100*	61.3	224.8	29,900*	160
170	54.8	225.2	41,300	56.8	222.6	42,100	58.6	217.3	29,000*	170
180	52.1	217.3	37,700	54.1	214.6	38,400	55.9	209.1	28,300*	180
190	49.3	208.6	34,600	51.3	205.8	35,200	52.9	200.0	27,600*	190
200	46.4	198.9	31,600 *	48.3	196.0	32,300	49.9	190.0	27,000*	200
210	43.3	188.3	28,300 *	45.1	185.1	29,500*	46.6	178.7	26,500*	210
220	40.0	176.3	25,300 *	41.8	172.9	26,300*				220
230	36.4	162.8	22,500 *	38.2	159.1	23,300*				230
240	32.5	147.2	19,900 *	34.2	143.1	20,600*				240
250	28.1	128.9	17,400 *							250



# Liftcrane Jib Capacities

# M-250 SERIES 3

Jib No. 132 with 20 Ft. Strut on  
Boom No. 44 With Long Reach Top  
248,700 Lb. Crane Counterweight  
120,000 Lb. Carbody Counterweight  
360 Degree Rating

Meets ANSI B30.5 Requirements
-------------------------------------

## 60 Ft. JIB

Jib Oper. Rad. Feet	5 Degree Offset			15 Degree Offset			30 Degree Offset			Jib Oper. Rad. Feet
	Boom Ang. Deg.	Jib Point Elev. Feet	Jib Capacity Pounds	Boom Ang. Deg.	Jib Point Elev. Feet	Jib Capacity Pounds	Boom Ang. Deg.	Jib Point Elev. Feet	Jib Capacity Pounds	
<b>220 Ft. BOOM</b>										
60	80.7	284.7	73,400 *b							60
65	79.7	283.7	72,300 *b							65
70	78.7	282.6	71,300 *	80.8	280.5	59,700*				70
75	77.6	281.4	70,300 *	79.8	279.2	59,100*				75
80	76.6	280.1	69,300 *	78.7	277.9	58,500*	80.9	273.6	40,900*	80
85	75.5	278.7	68,400 *	77.7	276.5	57,900*	79.8	272.1	40,000*	85
90	74.4	277.2	67,500 *	76.6	275.0	57,300*	78.8	270.6	39,100*	90
95	73.4	275.6	66,600 *	75.5	273.4	56,800*	77.7	269.0	38,200*	95
100	72.3	273.9	65,800 *	74.4	271.7	56,300*	76.6	267.2	37,400*	100
105	71.2	272.1	65,000 *	73.3	269.8	55,800*	75.5	265.3	36,700*	105
110	70.1	270.2	63,300 *	72.3	267.9	55,300*	74.3	263.4	36,000*	110
115	69.0	268.1	61,700 *	71.1	265.9	54,400*	73.2	261.3	35,300*	115
120	67.9	266.0	60,100 *	70.0	263.7	53,400*	72.1	259.1	34,600*	120
125	66.8	263.7	58,800 *	68.9	261.4	52,400*	70.9	256.8	34,000*	125
130	65.7	261.3	57,500 *	67.8	259.0	51,500*	69.8	254.3	33,400*	130
140	63.4	256.2	54,500	65.5	253.9	49,700*	67.4	249.1	32,300*	140
150	61.1	250.6	49,300	63.1	248.2	48,000*	65.0	243.2	31,200*	150
160	58.7	244.4	44,700	60.7	241.9	45,600	62.5	236.8	30,300*	160
170	56.2	237.6	40,700	58.2	235.0	41,500	60.0	229.8	29,500*	170
180	53.7	230.1	37,100	55.6	227.5	37,900	57.4	222.1	28,700*	180
190	51.1	221.9	34,000	53.0	219.2	34,600	54.6	213.6	28,000*	190
200	48.3	212.9	31,200	50.2	210.1	31,800	51.8	204.2	27,400*	200
210	45.5	203.0	27,900 *	47.3	200.0	29,100*	48.8	193.8	26,800*	210
220	42.4	192.0	24,800 *	44.2	188.8	25,900*				220
230	39.2	179.7	22,100 *	40.9	176.3	23,000*				230
240	35.7	165.8	19,500 *	37.4	162.1	20,300*				240
250	31.9	149.9	17,100 *							250



# Liftcrane Jib Capacities

# M-250 SERIES 3

Meets  
ANSI B30.5  
Requirements

Jib No. 132 with 20 Ft. Strut on  
Boom No. 44 With Long Reach Top  
248,700 Lb. Crane Counterweight  
120,000 Lb. Carbody Counterweight  
360 Degree Rating

## 60 Ft. JIB

Jib Oper. Rad. Feet	5 Degree Offset			15 Degree Offset			30 Degree Offset			Jib Oper. Rad. Feet
	Boom Ang. Deg.	Jib Point Elev. Feet	Jib Capacity Pounds	Boom Ang. Deg.	Jib Point Elev. Feet	Jib Capacity Pounds	Boom Ang. Deg.	Jib Point Elev. Feet	Jib Capacity Pounds	
<b>230 Ft. BOOM</b>										
65	80.1	293.9	72,700 *b							65
70	79.1	292.9	71,700 *b							70
75	78.0	291.7	70,700 *	80.2	289.5	59,300*				75
80	77.0	290.4	69,700 *	79.1	288.3	58,700*				80
85	76.0	289.1	68,800 *	78.1	286.9	58,100*	80.2	282.5	40,300*	85
90	75.0	287.6	67,900 *	77.1	285.4	57,600*	79.2	281.0	39,400*	90
95	74.0	286.1	67,100 *	76.0	283.9	57,000*	78.1	279.4	38,600*	95
100	72.9	284.5	65,900 *	75.0	282.2	56,500*	77.1	277.7	37,800*	100
105	71.9	282.7	64,100 *	74.0	280.5	55,700*	76.0	276.0	37,100*	105
110	70.8	280.9	62,400 *	72.9	278.6	54,600*	74.9	274.1	36,300*	110
115	69.8	278.9	60,900 *	71.8	276.7	53,500*	73.8	272.1	35,700*	115
120	68.7	276.9	59,400 *	70.8	274.6	52,500*	72.8	270.0	35,000*	120
125	67.7	274.7	58,100 *	69.7	272.4	51,500*	71.7	267.7	34,400*	125
130	66.6	272.4	56,800 *	68.6	270.1	50,600*	70.5	265.4	33,800*	130
140	64.4	267.5	54,000	66.4	265.2	48,900*	68.3	260.4	32,700*	140
150	62.2	262.1	48,700	64.1	259.7	47,400*	66.0	254.8	31,700*	150
160	59.9	256.2	44,100	61.8	253.7	45,100	63.7	248.7	30,700*	160
170	57.5	249.7	40,100	59.5	247.2	41,000	61.2	242.0	29,900*	170
180	55.1	242.7	36,600	57.0	240.0	37,300	58.8	234.7	29,100*	180
190	52.7	234.9	33,400	54.5	232.2	34,100	56.2	226.7	28,400*	190
200	50.1	226.5	30,600	51.9	223.7	31,200	53.5	217.9	27,700*	200
210	47.4	217.2	27,500 *	49.2	214.2	28,600	50.7	208.2	27,200*	210
220	44.6	207.0	24,500 *	46.4	203.9	25,600*	47.8	197.5	26,400*	220
230	41.6	195.7	21,700 *	43.3	192.4	22,700*				230
240	38.5	183.1	19,200 *	40.1	179.5	20,000*				240
250	35.1	168.9	16,800 *	36.6	165.0	17,500*				250
260	31.3	152.6	14,600 *							260



# Liftcrane Jib Capacities

# M-250 SERIES 3

Meets  
ANSI B30.5  
Requirements

Jib No. 132 with 20 Ft. Strut on  
Boom No. 44 With Long Reach Top  
248,700 Lb. Crane Counterweight  
120,000 Lb. Carbody Counterweight  
360 Degree Rating

## 60 Ft. JIB

Jib Oper. Rad. Feet	5 Degree Offset			15 Degree Offset			30 Degree Offset			Jib Oper. Rad. Feet
	Boom Ang. Deg.	Jib Point Elev. Feet	Jib Capacity Pounds	Boom Ang. Deg.	Jib Point Elev. Feet	Jib Capacity Pounds	Boom Ang. Deg.	Jib Point Elev. Feet	Jib Capacity Pounds	
<b>240 Ft. BOOM</b>										
65	80.4	304.1	73,000 *b							65
70	79.4	303.1	72,000 *b							70
75	78.4	302.0	71,100 *	80.5	299.8	59,500*				75
80	77.5	300.8	70,100 *	79.5	298.6	58,900*				80
85	76.5	299.5	69,200 *	78.5	297.3	58,300*	80.6	292.8	40,600*	85
90	75.5	298.1	68,300 *	77.5	295.9	57,800*	79.6	291.4	39,700*	90
95	74.5	296.6	67,300 *	76.5	294.4	57,300*	78.5	289.9	38,900*	95
100	73.5	295.0	65,400 *	75.5	292.8	56,200*	77.5	288.2	38,200*	100
105	72.5	293.3	63,600 *	74.5	291.1	55,000*	76.5	286.5	37,400*	105
110	71.5	291.5	61,900 *	73.5	289.3	53,900*	75.5	284.7	36,700*	110
115	70.5	289.7	60,400 *	72.5	287.4	52,800*	74.4	282.8	36,000*	115
120	69.5	287.7	58,900 *	71.4	285.4	51,800*	73.4	280.8	35,400*	120
125	68.4	285.6	57,700 *	70.4	283.3	50,900*	72.3	278.6	34,800*	125
130	67.4	283.4	56,400 *	69.4	281.1	50,000*	71.3	276.4	34,200*	130
140	65.3	278.7	53,400	67.2	276.3	48,400*	69.1	271.6	33,100*	140
150	63.2	273.5	48,100	65.1	271.1	46,900*	66.9	266.2	32,000*	150
160	61.0	267.9	43,500	62.9	265.4	44,500	64.7	260.4	31,100*	160
170	58.8	261.7	39,500	60.6	259.2	40,400	62.4	254.1	30,300*	170
180	56.5	255.0	35,900	58.3	252.4	36,800	60.0	247.1	29,500*	180
190	54.1	247.7	32,800	55.9	245.0	33,500	57.6	239.5	28,800*	190
200	51.7	239.7	29,900	53.5	236.9	30,600	55.1	231.2	28,100*	200
210	49.2	230.9	27,000 *	50.9	228.0	28,000	52.4	222.2	27,500*	210
220	46.5	221.4	23,900 *	48.3	218.4	25,200*	49.7	212.2	26,000*	220
230	43.8	210.9	21,200 *	45.5	207.7	22,300*	46.8	201.2	23,000*	230
240	40.9	199.3	18,700 *	42.5	195.9	19,600*				240
250	37.8	186.4	16,300 *	39.4	182.8	17,100*				250
260	34.4	171.8	14,100 *	35.9	167.9	14,800*				260
270	30.8	155.2	12,100*							270



# Liftcrane Jib Capacities

# M-250 SERIES 3

Meets  
ANSI B30.5  
Requirements

**Jib No. 132 with 20 Ft. Strut on  
Boom No. 44 With Long Reach Top  
248,700 Lb. Crane Counterweight  
120,000 Lb. Carbody Counterweight  
360 Degree Rating**

## 60 Ft. JIB

Jib Oper. Rad. Feet	5 Degree Offset			15 Degree Offset			30 Degree Offset			Jib Oper. Rad. Feet
	Boom Ang. Deg.	Jib Point Elev. Feet	Jib Capacity Pounds	Boom Ang. Deg.	Jib Point Elev. Feet	Jib Capacity Pounds	Boom Ang. Deg.	Jib Point Elev. Feet	Jib Capacity Pounds	
<b>250 Ft. BOOM</b>										
65	80.7	314.3	73,400 *b							65
70	79.8	313.3	72,400 *b							70
75	78.8	312.2	71,400 *	80.8	310.0	59,600*				75
80	77.9	311.0	70,500 *	79.9	308.9	59,100*				80
85	76.9	309.8	69,600 *	78.9	307.6	58,500*	80.9	303.1	40,900*	85
90	76.0	308.4	68,700 *	77.9	306.2	58,000*	79.9	301.7	40,000*	90
95	75.0	307.0	66,800 *	77.0	304.8	56,800*	78.9	300.3	39,200*	95
100	74.1	305.5	64,900 *	76.0	303.2	55,500*	77.9	298.7	38,500*	100
105	73.1	303.9	63,200 *	75.0	301.6	54,400*	77.0	297.1	37,700*	105
110	72.1	302.2	61,500 *	74.1	299.9	53,300*	76.0	295.3	37,000*	110
115	71.2	300.4	60,000 *	73.1	298.1	52,300*	75.0	293.5	36,400*	115
120	70.2	298.4	58,600 *	72.1	296.2	51,300*	74.0	291.5	35,700*	120
125	69.2	296.4	57,300 *	71.1	294.1	50,400*	72.9	289.5	35,100*	125
130	68.2	294.3	56,100 *	70.1	292.0	49,500*	71.9	287.3	34,500*	130
140	66.2	289.8	53,000	68.0	287.4	48,000*	69.9	282.7	33,400*	140
150	64.1	284.9	47,700	66.0	282.4	46,500*	67.7	277.6	32,400*	150
160	62.0	279.4	43,100	63.9	277.0	44,200	65.6	272.0	31,500*	160
170	59.9	273.5	39,100	61.7	271.0	40,000	63.4	265.9	30,600*	170
180	57.7	267.1	35,500	59.5	264.5	36,400	61.2	259.3	29,800*	180
190	55.5	260.1	32,400	57.2	257.5	33,200	58.8	252.1	29,100*	190
200	53.2	252.5	29,600	54.9	249.8	30,300	56.5	244.3	28,500*	200
210	50.8	244.3	26,800 *	52.5	241.5	27,700	54.0	235.7	27,800*	210
220	48.3	235.3	23,800 *	50.0	232.3	25,100*	51.4	226.3	25,800	220
230	45.7	225.5	21,000 *	47.4	222.4	22,200*	48.7	216.1	23,000*	230
240	43.0	214.7	18,500 *	44.6	211.4	19,500*	45.9	204.8	20,200*	240
250	40.2	202.8	16,200 *	41.7	199.4	17,000*				250
260	37.1	189.6	14,000 *	38.6	185.9	14,700*				260
270	33.8	174.8	12,000 *	35.3	170.7	12,600*				270
280	30.2	157.8	10,100 *							280



# Liftcrane Jib Capacities

# M-250 SERIES 3

Jib No. 132 with 20 Ft. Strut on  
Boom No. 44 With Long Reach Top  
248,700 Lb. Crane Counterweight  
120,000 Lb. Carbody Counterweight  
360 Degree Rating

Meets  
ANSI B30.5  
Requirements

## 60 Ft. JIB

Jib Oper. Rad. Feet	5 Degree Offset			15 Degree Offset			30 Degree Offset			Jib Oper. Rad. Feet
	Boom Ang. Deg.	Jib Point Elev. Feet	Jib Capacity Pounds	Boom Ang. Deg.	Jib Point Elev. Feet	Jib Capacity Pounds	Boom Ang. Deg.	Jib Point Elev. Feet	Jib Capacity Pounds	
<b>260 Ft. BOOM</b>										
70	80.1	323.5	72,700 *b							70
75	79.2	322.5	71,700 *b							75
80	78.3	321.3	70,800 *	80.2	319.1	59,200*				80
85	77.4	320.1	70,000 *	79.3	317.9	58,700*				85
90	76.4	318.8	68,100 *	78.3	316.6	57,300*	80.2	312.1	40,300*	90
95	75.5	317.4	66,100 *	77.4	315.2	56,000*	79.3	310.7	39,500*	95
100	74.6	316.0	64,300 *	76.5	313.7	54,800*	78.3	309.2	38,800*	100
105	73.6	314.4	62,600 *	75.5	312.1	53,700*	77.4	307.6	38,100*	105
110	72.7	312.7	61,000 *	74.6	310.5	52,600*	76.4	305.9	37,400*	110
115	71.8	311.0	59,500 *	73.6	308.7	51,600*	75.5	304.1	36,700*	115
120	70.8	309.2	58,200 *	72.7	306.9	50,700*	74.5	302.2	36,100*	120
125	69.9	307.2	57,000 *	71.7	304.9	49,800*	73.5	300.2	35,500*	125
130	68.9	305.2	55,700 *	70.7	302.9	49,000*	72.5	298.1	34,900*	130
140	67.0	300.8	52,400	68.8	298.5	47,500*	70.5	293.7	33,800*	140
150	65.0	296.1	47,100	66.8	293.7	46,100*	68.5	288.8	32,800*	150
160	63.0	290.9	42,500	64.8	288.4	43,600	66.5	283.5	31,900*	160
170	60.9	285.2	38,500	62.7	282.7	39,500	64.4	277.6	31,000*	170
180	58.8	279.1	34,900	60.6	276.5	35,800	62.2	271.3	30,200*	180
190	56.7	272.4	31,800	58.4	269.8	32,600	60.0	264.4	29,500*	190
200	54.5	265.2	28,900	56.2	262.5	29,700	57.7	257.0	28,800*	200
210	52.2	257.3	26,300 *	53.9	254.5	27,100	55.4	248.9	27,700	210
220	49.9	248.8	23,200 *	51.6	245.9	24,600*	53.0	240.1	25,300	220
230	47.5	239.6	20,500 *	49.1	236.6	21,700*	50.5	230.4	22,500*	230
240	45.0	229.5	17,900 *	46.5	226.3	19,000*	47.8	219.9	19,800*	240
250	42.3	218.4	15,600 *	43.9	215.1	16,500*				250
260	39.5	206.3	13,500 *	41.0	202.8	14,300*				260
270	36.5	192.8	11,400 *	38.0	189.0	12,200*				270
280	33.3	177.6	9,600 *	34.6	173.5	10,200*				280
290	29.7	160.3	7,800 *							290





# Liftcrane Jib Capacities

# M-250 SERIES 3

Meets  
ANSI B30.5  
Requirements

**Jib No. 132 with 20 Ft. Strut on  
Boom No. 44 With Long Reach Top  
248,700 Lb. Crane Counterweight  
120,000 Lb. Carbody Counterweight  
360 Degree Rating**

## 60 Ft. JIB

Jib Oper. Rad. Feet	5 Degree Offset			15 Degree Offset			30 Degree Offset			Jib Oper. Rad. Feet
	Boom Ang. Deg.	Jib Point Elev. Feet	Jib Capacity Pounds	Boom Ang. Deg.	Jib Point Elev. Feet	Jib Capacity Pounds	Boom Ang. Deg.	Jib Point Elev. Feet	Jib Capacity Pounds	
<b>270 Ft. BOOM</b>										
70	80.4	333.7	60,000 *b							70
75	79.5	332.7	60,000 *b							75
80	78.6	331.6	60,000 *	80.5	329.4	58,900*				80
85	77.7	330.4	60,000 *	79.6	328.2	57,400*				85
90	76.8	329.2	60,000 *	78.7	326.9	56,100*	80.5	322.4	40,600*	90
95	76.0	327.8	60,000 *	77.8	325.6	54,900*	79.6	321.0	39,800*	95
100	75.1	326.4	60,000 *	76.9	324.1	53,700*	78.7	319.6	39,100*	100
105	74.2	324.9	60,000 *	76.0	322.6	52,600*	77.8	318.0	38,400*	105
110	73.2	323.3	60,000 *	75.1	321.0	51,600*	76.9	316.4	37,700*	110
115	72.3	321.6	58,600 *	74.1	319.3	50,600*	75.9	314.7	37,000*	115
120	71.4	319.8	57,400 *	73.2	317.5	49,700*	75.0	312.8	36,400*	120
125	70.5	317.9	56,100 *	72.3	315.6	48,900*	74.1	310.9	35,800*	125
130	69.6	316.0	54,900 *	71.4	313.7	48,100*	73.1	308.9	35,200*	130
140	67.7	311.8	51,800	69.5	309.4	46,600*	71.2	304.6	34,100*	140
150	65.8	307.2	46,500	67.6	304.8	45,300*	69.2	299.9	33,100*	150
160	63.9	302.2	41,900	65.6	299.7	43,100	67.3	294.8	32,200*	160
170	61.9	296.8	37,900	63.6	294.3	38,900	65.2	289.2	31,400*	170
180	59.9	290.9	34,300	61.6	288.3	35,300	63.2	283.2	30,600*	180
190	57.9	284.5	31,200	59.5	281.9	32,100	61.1	276.6	29,800*	190
200	55.8	277.6	28,300	57.4	274.9	29,200	58.9	269.5	29,100*	200
210	53.6	270.1	25,800 *	55.2	267.4	26,500	56.7	261.8	27,200	210
220	51.4	262.0	22,700 *	53.0	259.2	24,100*	54.4	253.4	24,800	220
230	49.1	253.3	20,000 *	50.7	250.3	21,200*	52.0	244.3	22,200*	230
240	46.7	243.8	17,400 *	48.3	240.7	18,600*	49.5	234.5	19,400*	240
250	44.2	233.4	15,100 *	45.7	230.2	16,100*	47.0	223.7	16,800*	250
260	41.6	222.1	13,000 *	43.1	218.7	13,800*				260
270	38.9	209.7	11,000 *	40.3	206.1	11,700*				270
280	35.9	195.9	9,100 *	37.3	192.0	9,800*				280
290	32.7	180.4	7,300 *	34.0	176.2	7,900*				290
300	29.2	162.8	5,700 *							300



# Liftcrane Jib Capacities

# M-250 SERIES 3

Jib No. 132 with 20 Ft. Strut on  
Boom No. 44 With Long Reach Top  
248,700 Lb. Crane Counterweight  
120,000 Lb. Carbody Counterweight  
360 Degree Rating

Meets ANSI B30.5 Requirements
-------------------------------------

## 60 Ft. JIB

Jib Oper. Rad. Feet	5 Degree Offset			15 Degree Offset			30 Degree Offset			Jib Oper. Rad. Feet
	Boom Ang. Deg.	Jib Point Elev. Feet	Jib Capacity Pounds	Boom Ang. Deg.	Jib Point Elev. Feet	Jib Capacity Pounds	Boom Ang. Deg.	Jib Point Elev. Feet	Jib Capacity Pounds	
<b>280 Ft. BOOM</b>										
70	80.7	343.9	60,000 *b							70
75	79.8	342.9	60,000 *b							75
80	79.0	341.8	60,000 *	80.8	339.6	57,100*				80
85	78.1	340.7	60,000 *	79.9	338.4	56,500*				85
90	77.2	339.5	60,000 *	79.0	337.2	55,200*	80.8	332.7	40,900*	90
95	76.4	338.2	60,000 *	78.2	335.9	54,000*	80.0	331.4	40,100*	95
100	75.5	336.8	60,000 *	77.3	334.5	52,900*	79.1	329.9	39,400*	100
105	74.6	335.3	60,000 *	76.4	333.0	51,800*	78.2	328.4	38,700*	105
110	73.8	333.8	59,400 *	75.5	331.5	50,900*	77.3	326.9	38,000*	110
115	72.9	332.1	58,000 *	74.6	329.8	49,900*	76.4	325.2	37,300*	115
120	72.0	330.4	56,800 *	73.7	328.1	49,100*	75.5	323.4	36,700*	120
125	71.1	328.6	55,600 *	72.8	326.3	48,200*	74.6	321.6	36,100*	125
130	70.2	326.7	54,500 *	71.9	324.4	47,500*	73.6	319.7	35,600*	130
140	68.4	322.7	51,200	70.1	320.3	46,000*	71.8	315.5	34,500*	140
150	66.6	318.2	45,900	68.3	315.8	44,800*	69.9	311.0	33,500*	150
160	64.7	313.4	41,300	66.4	311.0	42,500	68.0	306.0	32,600*	160
170	62.8	308.2	37,300	64.5	305.7	38,400	66.1	300.7	31,700*	170
180	60.9	302.5	33,700	62.5	300.0	34,700	64.1	294.9	30,900*	180
190	58.9	296.4	30,500	60.6	293.8	31,500	62.1	288.6	30,200*	190
200	56.9	289.8	27,700	58.5	287.1	28,600	60.0	281.8	29,400	200
210	54.8	282.6	25,200	56.5	279.9	26,000	57.9	274.4	26,700	210
220	52.7	274.9	22,100 *	54.3	272.2	23,600	55.7	266.5	24,200	220
230	50.5	266.6	19,400 *	52.1	263.7	20,700*	53.4	257.9	21,700*	230
240	48.3	257.6	16,800 *	49.8	254.6	18,000*	51.1	248.6	18,900*	240
250	46.0	247.9	14,500 *	47.5	244.8	15,600*	48.7	238.4	16,300*	250
260	43.5	237.3	12,400 *	45.0	234.0	13,300*	46.1	227.4	14,000*	260
270	41.0	225.7	10,400 *	42.4	222.3	11,200*				270
280	38.2	213.0	8,500 *	39.6	209.4	9,200*				280
290	35.3	199.0	6,800 *	36.7	195.0	7,400*				290
300	32.2	183.2	5,100 *							300



# Liftcrane Jib Capacities

# M-250 SERIES 3

Meets  
ANSI B30.5  
Requirements

**Jib No. 132 with 20 Ft. Strut on  
Boom No. 44 With Long Reach Top  
248,700 Lb. Crane Counterweight  
120,000 Lb. Carbody Counterweight  
360 Degree Rating**

## 80 Ft. JIB

Jib Oper. Rad. Feet	5 Degree Offset			15 Degree Offset			30 Degree Offset			Jib Oper. Rad. Feet
	Boom Ang. Deg.	Jib Point Elev. Feet	Jib Capacity Pounds	Boom Ang. Deg.	Jib Point Elev. Feet	Jib Capacity Pounds	Boom Ang. Deg.	Jib Point Elev. Feet	Jib Capacity Pounds	
<b>190 Ft. BOOM</b>										
65	79.9	273.4	51,400 *							65
70	78.8	272.2	50,500 *							70
75	77.7	271.0	49,700 *	80.8	268.4	44,500*				75
80	76.7	269.6	48,900 *	79.7	267.0	43,800*				80
85	75.6	268.2	48,200 *	78.6	265.5	43,300*				85
90	74.5	266.6	47,400 *	77.5	264.0	42,700*	80.5	258.6	32,000*	90
95	73.3	264.9	46,700 *	76.3	262.3	42,200*	79.4	256.9	31,200*	95
100	72.2	263.2	46,000 *	75.2	260.5	41,600*	78.2	255.1	30,400*	100
105	71.1	261.3	45,400 *	74.1	258.6	41,100*	77.1	253.1	29,700*	105
110	70.0	259.3	44,700 *	72.9	256.5	40,600*	75.9	251.0	29,000*	110
115	68.8	257.1	44,100 *	71.8	254.4	40,100*	74.7	248.8	28,400*	115
120	67.7	254.9	43,500 *	70.6	252.1	39,700*	73.5	246.5	27,800*	120
125	66.5	252.5	42,900 *	69.4	249.8	39,200*	72.3	244.1	27,200*	125
130	65.3	250.1	42,400 *	68.2	247.2	38,800*	71.1	241.5	26,700*	130
140	62.9	244.7	41,300 *	65.8	241.8	38,000*	68.6	235.9	25,600*	140
150	60.5	238.8	40,300 *	63.3	235.8	37,300*	66.0	229.8	24,700*	150
160	58.0	232.2	39,300 *	60.8	229.2	36,100*	63.4	223.0	23,900*	160
170	55.4	225.1	38,500 *	58.1	221.9	34,400*	60.7	215.5	23,100*	170
180	52.7	217.1	37,600 *	55.4	213.9	32,900*	57.9	207.2	22,400*	180
190	49.9	208.4	36,100	52.6	205.0	31,600*	54.9	198.0	21,800*	190
200	46.9	198.8	33,300	49.6	195.2	30,400*	51.8	187.8	21,200*	200
210	43.9	188.1	30,500 *	46.4	184.3	29,300*	48.6	176.4	20,700*	210
220	40.6	176.1	27,400 *	43.1	172.0	28,300*				220
230	37.0	162.6	24,600 *	39.4	158.1	25,500*				230
240	33.1	147.0	22,000 *	35.4	142.0	22,800*				240
250	28.7	128.6	19,500 *							250



# Liftcrane Jib Capacities

# M-250 SERIES 3

Jib No. 132 with 20 Ft. Strut on  
Boom No. 44 With Long Reach Top  
248,700 Lb. Crane Counterweight  
120,000 Lb. Carbody Counterweight  
360 Degree Rating

Meets ANSI B30.5 Requirements
-------------------------------------

## 80 Ft. JIB

Jib Oper. Rad. Feet	5 Degree Offset			15 Degree Offset			30 Degree Offset			Jib Oper. Rad. Feet
	Boom Ang. Deg.	Jib Point Elev. Feet	Jib Capacity Pounds	Boom Ang. Deg.	Jib Point Elev. Feet	Jib Capacity Pounds	Boom Ang. Deg.	Jib Point Elev. Feet	Jib Capacity Pounds	
<b>200 Ft. BOOM</b>										
65	80.3	283.6	51,700 *							65
70	79.2	282.5	50,800 *							70
75	78.2	281.3	50,000 *							75
80	77.1	280.0	49,300 *	80.1	277.3	44,000*				80
85	76.1	278.6	48,500 *	79.0	275.9	43,500*				85
90	75.0	277.1	47,800 *	77.9	274.4	42,900*	80.9	269.0	32,200*	90
95	74.0	275.5	47,100 *	76.8	272.8	42,400*	79.8	267.4	31,500*	95
100	72.9	273.8	46,400 *	75.8	271.1	41,900*	78.7	265.6	30,700*	100
105	71.8	272.0	45,800 *	74.7	269.2	41,400*	77.6	263.7	30,000*	105
110	70.7	270.0	45,100 *	73.6	267.3	40,900*	76.4	261.7	29,400*	110
115	69.6	268.0	44,500 *	72.5	265.2	40,400*	75.3	259.6	28,700*	115
120	68.5	265.9	43,900 *	71.3	263.1	40,000*	74.2	257.4	28,100*	120
125	67.4	263.6	43,400 *	70.2	260.8	39,500*	73.0	255.1	27,600*	125
130	66.3	261.2	42,800 *	69.1	258.4	39,100*	71.8	252.6	27,000*	130
140	64.0	256.1	41,700 *	66.8	253.2	38,300*	69.5	247.3	26,000*	140
150	61.6	250.5	40,700 *	64.4	247.5	37,600*	67.0	241.5	25,100*	150
160	59.3	244.2	39,800 *	62.0	241.2	36,900*	64.6	235.0	24,200*	160
170	56.8	237.4	38,900 *	59.5	234.3	35,300*	62.0	227.9	23,500*	170
180	54.3	230.0	38,100 *	56.9	226.7	33,700*	59.3	220.1	22,800*	180
190	51.6	221.8	35,500 *	54.2	218.4	32,400*	56.6	211.5	22,100*	190
200	48.9	212.8	32,700 *	51.5	209.3	31,100*	53.7	202.0	21,500*	200
210	46.0	202.8	30,100 *	48.5	199.1	30,000*	50.7	191.5	21,000*	210
220	43.0	191.8	27,000 *	45.4	187.9	28,200*	47.4	179.8	20,600*	220
230	39.8	179.5	24,200 *	42.1	175.3	25,200*				230
240	36.3	165.6	21,600 *	38.6	161.0	22,500*				240
250	32.5	149.7	19,200 *	34.6	144.6	19,900*				250
260	28.1	130.9	16,900 *							260



# Liftcrane Jib Capacities

# M-250 SERIES 3

Meets  
ANSI B30.5  
Requirements

**Jib No. 132 with 20 Ft. Strut on  
Boom No. 44 With Long Reach Top  
248,700 Lb. Crane Counterweight  
120,000 Lb. Carbody Counterweight  
360 Degree Rating**

## 80 Ft. JIB

Jib Oper. Rad. Feet	5 Degree Offset			15 Degree Offset			30 Degree Offset			Jib Oper. Rad. Feet
	Boom Ang. Deg.	Jib Point Elev. Feet	Jib Capacity Pounds	Boom Ang. Deg.	Jib Point Elev. Feet	Jib Capacity Pounds	Boom Ang. Deg.	Jib Point Elev. Feet	Jib Capacity Pounds	
<b>210 Ft. BOOM</b>										
65	80.6	293.8	52,000 *							65
70	79.6	292.7	51,100 *							70
75	78.6	291.6	50,400 *							75
80	77.6	290.3	49,600 *	80.4	287.6	44,200*				80
85	76.6	289.0	48,900 *	79.4	286.3	43,700*				85
90	75.6	287.5	48,200 *	78.4	284.8	43,100*				90
95	74.5	286.0	47,500 *	77.3	283.3	42,600*	80.2	277.8	31,700*	95
100	73.5	284.3	46,800 *	76.3	281.6	42,100*	79.1	276.1	31,000*	100
105	72.5	282.6	46,200 *	75.2	279.9	41,600*	78.0	274.3	30,300*	105
110	71.4	280.8	45,500 *	74.2	278.0	41,100*	76.9	272.4	29,700*	110
115	70.4	278.8	44,900 *	73.1	276.0	40,700*	75.9	270.4	29,000*	115
120	69.3	276.7	44,300 *	72.0	273.9	40,200*	74.8	268.3	28,400*	120
125	68.2	274.6	43,800 *	70.9	271.7	39,800*	73.7	266.0	27,900*	125
130	67.1	272.3	43,200 *	69.9	269.4	39,400*	72.5	263.7	27,300*	130
140	65.0	267.4	42,200 *	67.6	264.5	38,600*	70.3	258.6	26,300*	140
150	62.7	262.0	41,200 *	65.4	259.0	37,900*	68.0	253.0	25,400*	150
160	60.4	256.1	40,200 *	63.1	253.0	37,200*	65.6	246.9	24,600*	160
170	58.1	249.6	39,400 *	60.7	246.5	36,100*	63.2	240.1	23,800*	170
180	55.7	242.5	38,300	58.3	239.3	34,500*	60.7	232.8	23,100*	180
190	53.2	234.8	35,200	55.7	231.5	33,100*	58.1	224.7	22,400*	190
200	50.6	226.3	32,300	53.1	222.9	31,900*	55.4	215.8	21,900*	200
210	48.0	217.0	29,800	50.4	213.4	30,500	52.5	206.0	21,300*	210
220	45.1	206.8	27,000 *	47.5	203.0	28,100	49.6	195.2	20,900*	220
230	42.2	195.5	24,200 *	44.5	191.4	25,300*	46.4	183.1	20,400*	230
240	39.0	182.9	21,600 *	41.3	178.5	22,500*				240
250	35.6	168.7	19,200 *	37.8	163.9	20,000*				250
260	31.8	152.4	17,000 *							260



# Liftcrane Jib Capacities

# M-250 SERIES 3

Jib No. 132 with 20 Ft. Strut on  
Boom No. 44 With Long Reach Top  
248,700 Lb. Crane Counterweight  
120,000 Lb. Carbody Counterweight  
360 Degree Rating

Meets  
ANSI B30.5  
Requirements

## 80 Ft. JIB

Jib Oper. Rad. Feet	5 Degree Offset			15 Degree Offset			30 Degree Offset			Jib Oper. Rad. Feet
	Boom Ang. Deg.	Jib Point Elev. Feet	Jib Capacity Pounds	Boom Ang. Deg.	Jib Point Elev. Feet	Jib Capacity Pounds	Boom Ang. Deg.	Jib Point Elev. Feet	Jib Capacity Pounds	
<b>220 Ft. BOOM</b>										
65	80.9	304.0	52,200 *							65
70	80.0	303.0	51,400 *							70
75	79.0	301.8	50,600 *							75
80	78.0	300.6	49,900 *	80.7	297.9	44,400*				80
85	77.0	299.3	49,200 *	79.8	296.6	43,900*				85
90	76.0	297.9	48,500 *	78.8	295.2	43,300*				90
95	75.1	296.5	47,800 *	77.8	293.7	42,800*	80.5	288.2	32,000*	95
100	74.1	294.9	47,200 *	76.8	292.1	42,300*	79.5	286.6	31,300*	100
105	73.1	293.2	46,500 *	75.7	290.4	41,800*	78.5	284.8	30,600*	105
110	72.1	291.4	45,900 *	74.7	288.6	41,400*	77.4	283.0	30,000*	110
115	71.0	289.5	45,300 *	73.7	286.7	40,900*	76.4	281.1	29,300*	115
120	70.0	287.6	44,700 *	72.7	284.7	40,500*	75.3	279.0	28,800*	120
125	69.0	285.5	44,200 *	71.6	282.6	40,100*	74.3	276.9	28,200*	125
130	68.0	283.3	43,600 *	70.6	280.4	39,700*	73.2	274.6	27,700*	130
140	65.9	278.6	42,600 *	68.5	275.7	38,900*	71.0	269.7	26,700*	140
150	63.7	273.4	41,600 *	66.3	270.4	38,100*	68.8	264.4	25,700*	150
160	61.5	267.8	40,700 *	64.1	264.7	37,500*	66.5	258.5	24,900*	160
170	59.3	261.6	39,800 *	61.8	258.5	36,800*	64.2	252.1	24,100*	170
180	57.0	254.8	37,700	59.5	251.6	35,300*	61.8	245.1	23,400*	180
190	54.7	247.5	34,600	57.1	244.2	33,900*	59.4	237.5	22,800*	190
200	52.2	239.5	31,700	54.7	236.1	32,600*	56.8	229.1	22,200*	200
210	49.7	230.8	29,200	52.1	227.2	29,900	54.2	219.9	21,600*	210
220	47.1	221.2	26,500 *	49.4	217.5	27,600	51.4	209.9	21,100*	220
230	44.3	210.7	23,700 *	46.6	206.8	24,900*	48.5	198.7	20,700*	230
240	41.4	199.1	21,100 *	43.6	194.9	22,200*				240
250	38.3	186.2	18,800 *	40.5	181.7	19,700*				250
260	35.0	171.6	16,500 *	37.0	166.8	17,300*				260
270	31.3	155.0	14,500*							270



# Liftcrane Jib Capacities

# M-250 SERIES 3

Meets ANSI B30.5 Requirements
-------------------------------------

Jib No. 132 with 20 Ft. Strut on  
Boom No. 44 With Long Reach Top  
248,700 Lb. Crane Counterweight  
120,000 Lb. Carbody Counterweight  
360 Degree Rating

## 80 Ft. JIB

Jib Oper. Rad. Feet	5 Degree Offset			15 Degree Offset			30 Degree Offset			Jib Oper. Rad. Feet
	Boom Ang. Deg.	Jib Point Elev. Feet	Jib Capacity Pounds	Boom Ang. Deg.	Jib Point Elev. Feet	Jib Capacity Pounds	Boom Ang. Deg.	Jib Point Elev. Feet	Jib Capacity Pounds	
<b>230 Ft. BOOM</b>										
70	80.3	313.2	51,700 *							70
75	79.4	312.1	50,900 *							75
80	78.4	310.9	50,200 *							80
85	77.5	309.7	49,500 *	80.1	306.9	44,000*				85
90	76.5	308.3	48,800 *	79.1	305.6	43,500*				90
95	75.6	306.9	48,100 *	78.2	304.1	43,000*	80.8	298.6	32,200*	95
100	74.6	305.4	47,500 *	77.2	302.6	42,500*	79.8	297.0	31,500*	100
105	73.6	303.7	46,900 *	76.2	301.0	42,100*	78.9	295.3	30,900*	105
110	72.7	302.0	46,300 *	75.2	299.2	41,600*	77.9	293.6	30,200*	110
115	71.7	300.2	45,700 *	74.3	297.4	41,200*	76.8	291.7	29,600*	115
120	70.7	298.3	45,100 *	73.3	295.5	40,700*	75.8	289.7	29,000*	120
125	69.7	296.3	44,600 *	72.3	293.5	40,300*	74.8	287.7	28,500*	125
130	68.7	294.2	44,000 *	71.3	291.3	39,900*	73.8	285.5	28,000*	130
140	66.7	289.7	43,000 *	69.2	286.8	39,100*	71.7	280.8	27,000*	140
150	64.6	284.7	42,000 *	67.1	281.7	38,400*	69.6	275.7	26,100*	150
160	62.5	279.3	41,100 *	65.0	276.3	37,700*	67.4	270.1	25,200*	160
170	60.4	273.4	40,200 *	62.9	270.3	36,700*	65.2	264.0	24,400*	170
180	58.2	267.0	37,200	60.7	263.8	35,700*	62.9	257.3	23,700*	180
190	56.0	260.0	34,000	58.4	256.7	34,600*	60.6	250.0	23,100*	190
200	53.7	252.4	31,200	56.0	249.0	32,100	58.2	242.1	22,500*	200
210	51.3	244.1	28,600	53.6	240.6	29,400	55.7	233.5	21,900*	210
220	48.8	235.1	26,100 *	51.1	231.5	27,100	53.1	224.0	21,400*	220
230	46.2	225.3	23,300 *	48.5	221.5	24,500*	50.4	213.7	21,000*	230
240	43.5	214.5	20,700 *	45.7	210.5	21,800*	47.5	202.2	20,600*	240
250	40.7	202.6	18,400 *	42.8	198.3	19,300*				250
260	37.6	189.4	16,200 *	39.7	184.8	17,000*				260
270	34.3	174.5	14,100 *	36.3	169.5	14,900*				270
280	30.7	157.5	12,200 *							280



# Liftcrane Jib Capacities

# M-250 SERIES 3

Meets  
ANSI B30.5  
Requirements

Jib No. 132 with 20 Ft. Strut on  
Boom No. 44 With Long Reach Top  
248,700 Lb. Crane Counterweight  
120,000 Lb. Carbody Counterweight  
360 Degree Rating

## 80 Ft. JIB

Jib Oper. Rad. Feet	5 Degree Offset			15 Degree Offset			30 Degree Offset			Jib Oper. Rad. Feet
	Boom Ang. Deg.	Jib Point Elev. Feet	Jib Capacity Pounds	Boom Ang. Deg.	Jib Point Elev. Feet	Jib Capacity Pounds	Boom Ang. Deg.	Jib Point Elev. Feet	Jib Capacity Pounds	
<b>240 Ft. BOOM</b>										
70	80.6	323.4	51,900 *							70
75	79.7	322.3	51,200 *							75
80	78.8	321.2	50,500 *							80
85	77.9	320.0	49,800 *	80.4	317.2	44,200*				85
90	76.9	318.7	49,100 *	79.5	315.9	43,700*				90
95	76.0	317.3	48,400 *	78.6	314.5	43,200*				95
100	75.1	315.8	47,800 *	77.6	313.0	42,700*	80.2	307.4	31,800*	100
105	74.2	314.3	47,200 *	76.7	311.5	42,300*	79.2	305.8	31,100*	105
110	73.2	312.6	46,600 *	75.7	309.8	41,800*	78.3	304.1	30,500*	110
115	72.3	310.9	46,000 *	74.8	308.0	41,400*	77.3	302.3	29,900*	115
120	71.3	309.0	45,500 *	73.8	306.2	41,000*	76.3	300.4	29,300*	120
125	70.4	307.1	44,900 *	72.9	304.2	40,500*	75.3	298.4	28,800*	125
130	69.4	305.1	44,400 *	71.9	302.2	40,100*	74.3	296.3	28,200*	130
140	67.5	300.7	43,400 *	69.9	297.8	39,400*	72.3	291.8	27,300*	140
150	65.5	295.9	42,400 *	67.9	292.9	38,600*	70.3	286.9	26,400*	150
160	63.5	290.7	41,500 *	65.9	287.7	37,400*	68.2	281.5	25,500*	160
170	61.4	285.1	40,100 *	63.8	282.0	36,300*	66.1	275.7	24,800*	170
180	59.3	278.9	36,600	61.7	275.7	35,400*	63.9	269.3	24,000*	180
190	57.2	272.2	33,400	59.5	269.0	34,400*	61.7	262.4	23,400*	190
200	55.0	265.0	30,600	57.3	261.7	31,500	59.4	254.8	22,800*	200
210	52.7	257.2	28,000	55.0	253.7	28,900	57.1	246.7	22,200*	210
220	50.4	248.7	25,600 *	52.7	245.1	26,500	54.6	237.8	21,700*	220
230	48.0	239.4	22,700 *	50.2	235.7	24,100*	52.1	228.0	21,300*	230
240	45.4	229.3	20,200 *	47.6	225.4	21,400*	49.4	217.4	20,800*	240
250	42.8	218.2	17,800 *	44.9	214.1	18,900*	46.6	205.7	19,800*	250
260	40.0	206.1	15,600 *	42.0	201.7	16,600*				260
270	37.0	192.6	13,600 *	39.0	187.9	14,400*				270
280	33.8	177.4	11,700 *	35.6	172.3	12,400*				280
290	30.2	160.1	9,900 *							290





# Liftcrane Jib Capacities

# M-250 SERIES 3

Meets  
ANSI B30.5  
Requirements

**Jib No. 132 with 20 Ft. Strut on  
Boom No. 44 With Long Reach Top  
248,700 Lb. Crane Counterweight  
120,000 Lb. Carbody Counterweight  
360 Degree Rating**

## 80 Ft. JIB

Jib Oper. Rad. Feet	5 Degree Offset			15 Degree Offset			30 Degree Offset			Jib Oper. Rad. Feet
	Boom Ang. Deg.	Jib Point Elev. Feet	Jib Capacity Pounds	Boom Ang. Deg.	Jib Point Elev. Feet	Jib Capacity Pounds	Boom Ang. Deg.	Jib Point Elev. Feet	Jib Capacity Pounds	
<b>250 Ft. BOOM</b>										
70	80.9	333.6	52,100 *							70
75	80.0	332.6	51,400 *							75
80	79.1	331.5	50,700 *							80
85	78.2	330.3	50,000 *	80.7	327.5	44,300*				85
90	77.3	329.0	49,400 *	79.8	326.2	43,800*				90
95	76.4	327.7	48,700 *	78.9	324.9	43,400*				95
100	75.6	326.3	48,100 *	78.0	323.4	42,900*	80.5	317.8	32,000*	100
105	74.6	324.7	47,500 *	77.1	321.9	42,500*	79.6	316.2	31,300*	105
110	73.7	323.1	46,900 *	76.2	320.3	42,000*	78.6	314.6	30,700*	110
115	72.8	321.5	46,400 *	75.3	318.6	41,600*	77.7	312.8	30,100*	115
120	71.9	319.7	45,800 *	74.3	316.8	41,200*	76.8	311.0	29,600*	120
125	71.0	317.8	45,300 *	73.4	314.9	40,800*	75.8	309.1	29,000*	125
130	70.1	315.9	44,700 *	72.5	312.9	40,400*	74.9	307.1	28,500*	130
140	68.2	311.7	43,700 *	70.6	308.7	39,500*	72.9	302.7	27,500*	140
150	66.3	307.1	42,800 *	68.7	304.1	38,200*	71.0	298.0	26,600*	150
160	64.4	302.0	41,500 *	66.7	299.0	37,100*	69.0	292.8	25,800*	160
170	62.4	296.6	39,700	64.7	293.5	36,000*	66.9	287.2	25,000*	170
180	60.4	290.7	36,200	62.7	287.5	35,100*	64.9	281.1	24,300*	180
190	58.3	284.3	33,000	60.6	281.1	34,100	62.7	274.5	23,700*	190
200	56.2	277.4	30,200	58.5	274.1	31,200	60.6	267.3	23,100*	200
210	54.1	269.9	27,600	56.3	266.5	28,500	58.3	259.6	22,500*	210
220	51.9	261.9	25,300	54.1	258.3	26,100	56.0	251.1	22,000*	220
230	49.6	253.1	22,500 *	51.7	249.4	23,900*	53.6	242.0	21,500*	230
240	47.2	243.6	20,000 *	49.3	239.8	21,200*	51.1	232.0	21,100*	240
250	44.7	233.2	17,600 *	46.8	229.2	18,700*	48.5	221.1	19,700*	250
260	42.1	221.9	15,400 *	44.1	217.7	16,400*				260
270	39.3	209.5	13,400 *	41.3	205.0	14,300*				270
280	36.4	195.7	11,500 *	38.3	190.9	12,300*				280
290	33.2	180.2	9,700 *	35.0	174.9	10,400*				290
300	29.7	162.5	8,000 *							300



# Liftcrane Jib Capacities

# M-250 SERIES 3

Jib No. 132 with 20 Ft. Strut on  
Boom No. 44 With Long Reach Top  
248,700 Lb. Crane Counterweight  
120,000 Lb. Carbody Counterweight  
360 Degree Rating

Meets ANSI B30.5 Requirements
-------------------------------------

## 80 Ft. JIB

Jib Oper. Rad. Feet	5 Degree Offset			15 Degree Offset			30 Degree Offset			Jib Oper. Rad. Feet
	Boom Ang. Deg.	Jib Point Elev. Feet	Jib Capacity Pounds	Boom Ang. Deg.	Jib Point Elev. Feet	Jib Capacity Pounds	Boom Ang. Deg.	Jib Point Elev. Feet	Jib Capacity Pounds	
<b>260 Ft. BOOM</b>										
75	80.3	342.8	51,700 *							75
80	79.4	341.7	51,000 *							80
85	78.6	340.6	50,300 *							85
90	77.7	339.3	49,700 *	80.1	336.5	44,000*				90
95	76.9	338.0	49,000 *	79.2	335.2	43,500*				95
100	76.0	336.7	48,400 *	78.4	333.8	43,100*	80.8	328.1	32,200*	100
105	75.1	335.2	47,800 *	77.5	332.3	42,600*	79.9	326.6	31,600*	105
110	74.2	333.6	47,200 *	76.6	330.8	42,200*	79.0	325.0	31,000*	110
115	73.4	332.0	46,700 *	75.7	329.1	41,800*	78.1	323.3	30,400*	115
120	72.5	330.3	46,100 *	74.8	327.4	41,400*	77.2	321.6	29,800*	120
125	71.6	328.5	45,600 *	73.9	325.6	41,000*	76.3	319.7	29,300*	125
130	70.7	326.6	45,100 *	73.0	323.7	40,400*	75.3	317.8	28,800*	130
140	68.9	322.5	44,100 *	71.2	319.6	39,000*	73.5	313.6	27,800*	140
150	67.0	318.1	42,900 *	69.3	315.1	37,800*	71.6	309.0	26,900*	150
160	65.2	313.3	41,300 *	67.5	310.2	36,700*	69.7	304.1	26,100*	160
170	63.3	308.0	39,100	65.5	304.9	35,700*	67.7	298.6	25,300*	170
180	61.4	302.4	35,600	63.6	299.2	34,800*	65.7	292.8	24,600*	180
190	59.4	296.2	32,400	61.6	293.0	33,500	63.7	286.5	24,000*	190
200	57.4	289.6	29,500	59.6	286.3	30,600	61.6	279.6	23,400*	200
210	55.3	282.5	27,000	57.5	279.1	28,000	59.5	272.2	22,800*	210
220	53.2	274.8	24,700	55.3	271.3	25,600	57.3	264.2	22,300*	220
230	51.0	266.5	22,000 *	53.1	262.9	23,400	55.0	255.5	21,800*	230
240	48.8	257.5	19,400 *	50.8	253.7	20,700*	52.6	246.1	21,400*	240
250	46.4	247.7	17,000 *	48.5	243.8	18,200*	50.2	235.9	19,300*	250
260	44.0	237.1	14,800 *	46.0	233.0	15,900*	47.6	224.7	16,800*	260
270	41.4	225.5	12,800 *	43.4	221.2	13,800*				270
280	38.7	212.8	10,900 *	40.6	208.3	11,800*				280
290	35.8	198.7	9,200 *	37.6	193.8	9,900*				290
300	32.7	183.0	7,500 *	34.4	177.6	8,200*				300
310	29.2	165.0	5,900 *							310



# Liftcrane Jib Capacities

# M-250 SERIES 3

Meets  
ANSI B30.5  
Requirements

**Jib No. 132 with 20 Ft. Strut on  
Boom No. 44 With Long Reach Top  
248,700 Lb. Crane Counterweight  
120,000 Lb. Carbody Counterweight  
360 Degree Rating**

## 80 Ft. JIB

Jib Oper. Rad. Feet	5 Degree Offset			15 Degree Offset			30 Degree Offset			Jib Oper. Rad. Feet
	Boom Ang. Deg.	Jib Point Elev. Feet	Jib Capacity Pounds	Boom Ang. Deg.	Jib Point Elev. Feet	Jib Capacity Pounds	Boom Ang. Deg.	Jib Point Elev. Feet	Jib Capacity Pounds	
<b>270 Ft. BOOM</b>										
75	80.6	353.0	51,900 *							75
80	79.8	351.9	51,200 *							80
85	78.9	350.8	50,500 *							85
90	78.1	349.6	49,900 *	80.4	346.8	44,100*				90
95	77.2	348.4	49,300 *	79.6	345.5	43,700*				95
100	76.4	347.0	48,700 *	78.7	344.2	43,200*				100
105	75.5	345.6	48,100 *	77.9	342.8	42,800*	80.2	337.0	31,800*	105
110	74.7	344.1	47,500 *	77.0	341.2	42,400*	79.3	335.4	31,200*	110
115	73.8	342.5	47,000 *	76.1	339.6	41,900*	78.5	333.8	30,600*	115
120	73.0	340.9	46,400 *	75.3	338.0	41,100*	77.6	332.1	30,100*	120
125	72.1	339.1	45,900 *	74.4	336.2	40,300*	76.7	330.3	29,500*	125
130	71.3	337.3	45,400 *	73.5	334.4	39,600*	75.8	328.4	29,000*	130
140	69.5	333.4	44,200 *	71.8	330.4	38,300*	74.0	324.4	28,100*	140
150	67.7	329.1	42,400 *	70.0	326.1	37,100*	72.2	320.0	27,200*	150
160	65.9	324.4	40,800 *	68.2	321.4	36,000*	70.3	315.2	26,400*	160
170	64.1	319.4	38,600	66.3	316.3	35,100*	68.4	310.0	25,600*	170
180	62.3	313.9	35,000	64.4	310.8	34,200*	66.5	304.4	24,900*	180
190	60.4	308.0	31,800	62.5	304.8	33,000	64.6	298.3	24,200*	190
200	58.4	301.7	29,000	60.6	298.4	30,100	62.6	291.7	23,600*	200
210	56.5	294.8	26,400	58.6	291.5	27,400	60.5	284.6	23,100*	210
220	54.4	287.5	24,100	56.5	284.0	25,000	58.4	277.0	22,500*	220
230	52.4	279.5	21,400 *	54.4	276.0	22,900	56.3	268.7	22,100*	230
240	50.2	271.0	18,900 *	52.3	267.3	20,300*	54.0	259.8	21,500*	240
250	48.0	261.8	16,500 *	50.0	257.9	17,800*	51.7	250.1	18,900*	250
260	45.7	251.8	14,300 *	47.7	247.8	15,500*	49.3	239.7	16,500*	260
270	43.3	240.9	12,300 *	45.2	236.8	13,400*	46.8	228.2	14,200*	270
280	40.8	229.1	10,400 *	42.6	224.7	11,400*				280
290	38.1	216.1	8,700 *	39.9	211.4	9,500*				290
300	35.2	201.8	7,000 *	37.0	196.7	7,800*				300
310	32.2	185.7	5,500 *							310
320	28.8	167.4	4,000 *							320



# Liftcrane Jib Capacities

# M-250 SERIES 3

Jib No. 132 with 20 Ft. Strut on  
Boom No. 44 With Long Reach Top  
248,700 Lb. Crane Counterweight  
120,000 Lb. Carbody Counterweight  
360 Degree Rating

Meets  
ANSI B30.5  
Requirements

## 100 Ft. JIB

Jib Oper. Rad. Feet	5 Degree Offset			15 Degree Offset			30 Degree Offset			Jib Oper. Rad. Feet
	Boom Ang. Deg.	Jib Point Elev. Feet	Jib Capacity Pounds	Boom Ang. Deg.	Jib Point Elev. Feet	Jib Capacity Pounds	Boom Ang. Deg.	Jib Point Elev. Feet	Jib Capacity Pounds	
<b>190 Ft. BOOM</b>										
65	80.9	293.9	41,100 *							65
70	79.9	292.8	40,400 *							70
75	78.9	291.6	39,800 *							75
80	77.9	290.4	39,100 *							80
85	76.9	289.0	38,500 *	80.4	286.2	34,400*				85
90	75.8	287.6	37,900 *	79.4	284.7	33,900*				90
95	74.8	286.0	37,300 *	78.3	283.1	33,300*				95
100	73.8	284.4	36,700 *	77.3	281.5	32,700*				100
105	72.7	282.6	36,100 *	76.2	279.7	32,200*	80.1	274.0	25,500*	105
110	71.7	280.8	35,500 *	75.2	277.9	31,700*	79.0	272.2	24,900*	110
115	70.6	278.9	35,000 *	74.1	275.9	31,200*	77.9	270.2	24,300*	115
120	69.6	276.8	34,500 *	73.0	273.8	30,700*	76.8	268.1	23,800*	120
125	68.5	274.6	33,900 *	72.0	271.6	30,200*	75.7	265.8	23,200*	125
130	67.4	272.4	33,300 *	70.9	269.3	29,700*	74.6	263.5	22,700*	130
140	65.2	267.4	32,200 *	68.7	264.3	28,800*	72.3	258.5	21,800*	140
150	63.0	262.0	31,100 *	66.4	258.9	27,900*	70.0	252.9	20,900*	150
160	60.7	256.1	30,100 *	64.1	252.9	27,100*	67.7	246.8	20,200*	160
170	58.4	249.7	29,100 *	61.7	246.3	26,400*	65.2	240.2	19,400*	170
180	56.0	242.6	28,200 *	59.3	239.2	25,600*	62.7	232.8	18,800*	180
190	53.5	234.8	27,300 *	56.8	231.3	25,000*	60.1	224.8	18,200*	190
200	50.9	226.4	26,500 *	54.1	222.7	24,400*	57.4	216.0	17,600*	200
210	48.2	217.1	25,700 *	51.4	213.2	23,500*	54.6	206.3	17,100*	210
220	45.4	206.9	25,000 *	48.5	202.8	22,600*	51.6	195.5	16,700*	220
230	42.5	195.6	24,300 *	45.5	191.3	21,800*	48.5	183.6	16,300*	230
240	39.3	183.0	23,300 *	42.3	178.3	21,100*				240
250	35.9	168.7	20,900 *	38.8	163.7	20,400*				250
260	32.1	152.5	18,700 *	34.9	146.8	19,600*				260
270	27.9	133.3	16,600 *							270



# Liftcrane Jib Capacities

# M-250 SERIES 3

Meets  
ANSI B30.5  
Requirements

**Jib No. 132 with 20 Ft. Strut on  
Boom No. 44 With Long Reach Top  
248,700 Lb. Crane Counterweight  
120,000 Lb. Carbody Counterweight  
360 Degree Rating**

## 100 Ft. JIB

Jib Oper. Rad. Feet	5 Degree Offset			15 Degree Offset			30 Degree Offset			Jib Oper. Rad. Feet
	Boom Ang. Deg.	Jib Point Elev. Feet	Jib Capacity Pounds	Boom Ang. Deg.	Jib Point Elev. Feet	Jib Capacity Pounds	Boom Ang. Deg.	Jib Point Elev. Feet	Jib Capacity Pounds	
<b>200 Ft. BOOM</b>										
70	80.2	303.0	40,700 *							70
75	79.3	301.9	40,000 *							75
80	78.3	300.7	39,400 *							80
85	77.3	299.4	38,800 *	80.7	296.5	34,500*				85
90	76.3	298.0	38,200 *	79.7	295.1	34,000*				90
95	75.3	296.5	37,600 *	78.7	293.6	33,500*				95
100	74.3	294.9	37,000 *	77.7	292.0	33,000*				100
105	73.3	293.2	36,400 *	76.7	290.3	32,400*	80.5	284.5	25,700*	105
110	72.3	291.5	35,900 *	75.7	288.5	31,900*	79.4	282.7	25,100*	110
115	71.3	289.6	35,300 *	74.7	286.6	31,400*	78.4	280.8	24,500*	115
120	70.3	287.6	34,800 *	73.7	284.6	31,000*	77.3	278.8	24,000*	120
125	69.3	285.5	34,300 *	72.6	282.5	30,500*	76.3	276.6	23,500*	125
130	68.2	283.3	33,800 *	71.6	280.3	30,000*	75.2	274.4	23,000*	130
140	66.1	278.6	32,700 *	69.4	275.5	29,100*	73.0	269.6	22,100*	140
150	64.0	273.5	31,600 *	67.3	270.3	28,300*	70.8	264.3	21,200*	150
160	61.8	267.8	30,600 *	65.1	264.6	27,500*	68.5	258.4	20,400*	160
170	59.6	261.6	29,600 *	62.8	258.3	26,700*	66.2	252.1	19,700*	170
180	57.3	254.9	28,700 *	60.5	251.5	26,000*	63.8	245.1	19,100*	180
190	54.9	247.6	27,800 *	58.1	244.0	25,300*	61.4	237.5	18,500*	190
200	52.5	239.6	27,000 *	55.6	235.9	24,700*	58.8	229.2	17,900*	200
210	50.0	230.8	26,200 *	53.1	227.0	24,100*	56.2	220.1	17,400*	210
220	47.3	221.3	25,400 *	50.4	217.3	23,200*	53.4	210.1	16,900*	220
230	44.6	210.8	24,800 *	47.6	206.6	22,400*	50.5	199.0	16,500*	230
240	41.7	199.2	22,900 *	44.6	194.7	21,600*	47.4	186.7	16,200*	240
250	38.6	186.2	20,500 *	41.4	181.5	20,900*				250
260	35.2	171.7	18,300 *	38.0	166.5	19,300*				260
270	31.5	155.1	16,200 *	34.2	149.2	17,000*				270
280	27.4	135.5	14,200 *							280



# Liftcrane Jib Capacities

# M-250 SERIES 3

Jib No. 132 with 20 Ft. Strut on  
Boom No. 44 With Long Reach Top  
248,700 Lb. Crane Counterweight  
120,000 Lb. Carbody Counterweight  
360 Degree Rating

Meets ANSI B30.5 Requirements
-------------------------------------

## 100 Ft. JIB

Jib Oper. Rad. Feet	5 Degree Offset			15 Degree Offset			30 Degree Offset			Jib Oper. Rad. Feet
	Boom Ang. Deg.	Jib Point Elev. Feet	Jib Capacity Pounds	Boom Ang. Deg.	Jib Point Elev. Feet	Jib Capacity Pounds	Boom Ang. Deg.	Jib Point Elev. Feet	Jib Capacity Pounds	
<b>210 Ft. BOOM</b>										
70	80.6	313.2	40,900 *							70
75	79.6	312.1	40,300 *							75
80	78.7	311.0	39,600 *							80
85	77.7	309.7	39,000 *							85
90	76.8	308.4	38,400 *	80.1	305.4	34,200*				90
95	75.8	306.9	37,800 *	79.1	304.0	33,700*				95
100	74.9	305.4	37,300 *	78.2	302.4	33,200*				100
105	73.9	303.8	36,700 *	77.2	300.8	32,700*	80.8	294.9	25,900*	105
110	72.9	302.1	36,200 *	76.2	299.1	32,200*	79.8	293.2	25,300*	110
115	71.9	300.3	35,700 *	75.2	297.2	31,700*	78.8	291.3	24,800*	115
120	71.0	298.4	35,100 *	74.2	295.3	31,200*	77.8	289.4	24,200*	120
125	70.0	296.4	34,600 *	73.2	293.3	30,700*	76.7	287.4	23,700*	125
130	69.0	294.3	34,100 *	72.2	291.2	30,300*	75.7	285.2	23,200*	130
140	66.9	289.7	33,100 *	70.2	286.6	29,400*	73.6	280.6	22,300*	140
150	64.9	284.8	32,000 *	68.1	281.6	28,600*	71.5	275.5	21,500*	150
160	62.8	279.4	31,000 *	66.0	276.1	27,800*	69.3	269.9	20,700*	160
170	60.7	273.4	30,100 *	63.8	270.1	27,000*	67.1	263.8	20,000*	170
180	58.5	267.0	29,100 *	61.6	263.6	26,300*	64.9	257.2	19,400*	180
190	56.2	260.0	28,300 *	59.3	256.5	25,600*	62.5	250.0	18,700*	190
200	53.9	252.4	27,500 *	57.0	248.8	25,000*	60.1	242.1	18,200*	200
210	51.6	244.2	26,700 *	54.6	240.4	24,400*	57.6	233.5	17,700*	210
220	49.1	235.2	25,900 *	52.1	231.3	23,800*	55.0	224.1	17,200*	220
230	46.5	225.3	25,200 *	49.4	221.2	22,900*	52.3	213.8	16,800*	230
240	43.8	214.6	22,700 *	46.7	210.2	22,100*	49.5	202.5	16,400*	240
250	40.9	202.7	20,400 *	43.7	198.1	21,400*	46.4	189.9	16,000*	250
260	37.9	189.5	18,200 *	40.6	184.5	19,300*				260
270	34.6	174.6	16,100 *	37.2	169.2	17,100*				270
280	31.0	157.6	14,200 *	33.5	151.6	15,000*				280



# Liftcrane Jib Capacities

# M-250 SERIES 3

Meets  
ANSI B30.5  
Requirements

**Jib No. 132 with 20 Ft. Strut on  
Boom No. 44 With Long Reach Top  
248,700 Lb. Crane Counterweight  
120,000 Lb. Carbody Counterweight  
360 Degree Rating**

## 100 Ft. JIB

Jib Oper. Rad. Feet	5 Degree Offset			15 Degree Offset			30 Degree Offset			Jib Oper. Rad. Feet
	Boom Ang. Deg.	Jib Point Elev. Feet	Jib Capacity Pounds	Boom Ang. Deg.	Jib Point Elev. Feet	Jib Capacity Pounds	Boom Ang. Deg.	Jib Point Elev. Feet	Jib Capacity Pounds	
<b>220 Ft. BOOM</b>										
70	80.8	323.4	41,100 *							70
75	79.9	322.4	40,500 *							75
80	79.0	321.2	39,900 *							80
85	78.1	320.0	39,300 *							85
90	77.2	318.7	38,700 *	80.4	315.7	34,300*				90
95	76.3	317.3	38,100 *	79.5	314.3	33,900*				95
100	75.3	315.9	37,600 *	78.5	312.8	33,400*				100
105	74.4	314.3	37,000 *	77.6	311.3	32,900*				105
110	73.5	312.7	36,500 *	76.7	309.6	32,400*	80.1	303.6	25,500*	110
115	72.5	310.9	36,000 *	75.7	307.8	31,900*	79.2	301.9	25,000*	115
120	71.6	309.1	35,500 *	74.7	306.0	31,400*	78.2	300.0	24,500*	120
125	70.6	307.1	35,000 *	73.8	304.0	31,000*	77.2	298.0	24,000*	125
130	69.7	305.1	34,500 *	72.8	302.0	30,500*	76.2	295.9	23,500*	130
140	67.7	300.7	33,500 *	70.8	297.6	29,700*	74.2	291.5	22,600*	140
150	65.7	296.0	32,500 *	68.8	292.7	28,800*	72.2	286.6	21,700*	150
160	63.7	290.8	31,500 *	66.8	287.5	28,100*	70.1	281.3	21,000*	160
170	61.7	285.1	30,500 *	64.7	281.8	27,300*	68.0	275.4	20,300*	170
180	59.6	279.0	29,600 *	62.6	275.5	26,600*	65.8	269.1	19,600*	180
190	57.5	272.3	28,700 *	60.5	268.8	26,000*	63.6	262.2	19,000*	190
200	55.3	265.1	27,900 *	58.2	261.4	25,300*	61.3	254.8	18,500*	200
210	53.0	257.2	27,100 *	55.9	253.5	24,800*	58.9	246.6	17,900*	210
220	50.7	248.7	26,400 *	53.6	244.8	24,200*	56.5	237.8	17,500*	220
230	48.2	239.5	24,800 *	51.1	235.4	23,400*	53.9	228.1	17,000*	230
240	45.7	229.4	22,200 *	48.5	225.1	22,600*	51.3	217.5	16,600*	240
250	43.0	218.3	19,900 *	45.8	213.9	21,200*	48.5	205.9	16,300*	250
260	40.2	206.1	17,700 *	42.9	201.4	18,900*	45.5	193.0	16,000*	260
270	37.3	192.6	15,700 *	39.9	187.6	16,700*				270
280	34.0	177.5	13,800 *	36.5	171.9	14,700*				280
290	30.5	160.2	12,000 *							290



# Liftcrane Jib Capacities

# M-250 SERIES 3

Jib No. 132 with 20 Ft. Strut on  
Boom No. 44 With Long Reach Top  
248,700 Lb. Crane Counterweight  
120,000 Lb. Carbody Counterweight  
360 Degree Rating

Meets ANSI B30.5 Requirements
-------------------------------------

## 100 Ft. JIB

Jib Oper. Rad. Feet	5 Degree Offset			15 Degree Offset			30 Degree Offset			Jib Oper. Rad. Feet
	Boom Ang. Deg.	Jib Point Elev. Feet	Jib Capacity Pounds	Boom Ang. Deg.	Jib Point Elev. Feet	Jib Capacity Pounds	Boom Ang. Deg.	Jib Point Elev. Feet	Jib Capacity Pounds	
<b>230 Ft. BOOM</b>										
75	80.2	332.6	40,700 *							75
80	79.4	331.5	40,100 *							80
85	78.5	330.3	39,500 *							85
90	77.6	329.1	38,900 *	80.7	326.0	34,500*				90
95	76.7	327.7	38,400 *	79.8	324.7	34,000*				95
100	75.8	326.3	37,800 *	78.9	323.2	33,600*				100
105	74.9	324.8	37,300 *	78.0	321.7	33,100*				105
110	74.0	323.2	36,800 *	77.1	320.1	32,600*	80.5	314.1	25,700*	110
115	73.1	321.5	36,300 *	76.2	318.4	32,100*	79.5	312.4	25,200*	115
120	72.2	319.7	35,800 *	75.2	316.6	31,700*	78.6	310.6	24,700*	120
125	71.2	317.9	35,300 *	74.3	314.7	31,200*	77.6	308.6	24,200*	125
130	70.3	315.9	34,800 *	73.4	312.7	30,800*	76.7	306.6	23,700*	130
140	68.4	311.7	33,900 *	71.5	308.5	29,900*	74.7	302.4	22,800*	140
150	66.5	307.1	32,800 *	69.5	303.9	29,100*	72.8	297.7	22,000*	150
160	64.6	302.1	31,900 *	67.6	298.8	28,300*	70.8	292.5	21,200*	160
170	62.6	296.7	31,000 *	65.6	293.3	27,600*	68.7	286.9	20,500*	170
180	60.6	290.8	30,000 *	63.6	287.3	26,900*	66.7	280.9	19,900*	180
190	58.6	284.4	29,200 *	61.5	280.9	26,300*	64.5	274.3	19,300*	190
200	56.5	277.5	28,400 *	59.4	273.9	25,700*	62.4	267.2	18,700*	200
210	54.3	270.0	27,600 *	57.2	266.3	25,100*	60.1	259.4	18,200*	210
220	52.1	261.9	26,700	54.9	258.1	24,500*	57.8	251.0	17,700*	220
230	49.8	253.2	24,400 *	52.6	249.2	23,900*	55.4	241.9	17,300*	230
240	47.4	243.7	21,800 *	50.2	239.5	23,100*	52.9	232.0	16,900*	240
250	44.9	233.3	19,400 *	47.6	229.0	20,800*	50.3	221.1	16,500*	250
260	42.3	222.0	17,300 *	45.0	217.4	18,500*	47.5	209.2	16,200*	260
270	39.6	209.5	15,200 *	42.2	204.7	16,300*				270
280	36.6	195.8	13,300 *	39.1	190.5	14,300*				280
290	33.5	180.3	11,600 *	35.9	174.6	12,400*				290
300	29.9	162.6	9,900 *							300





# Liftcrane Jib Capacities

# M-250 SERIES 3

Meets  
ANSI B30.5  
Requirements

**Jib No. 132 with 20 Ft. Strut on  
Boom No. 44 With Long Reach Top  
248,700 Lb. Crane Counterweight  
120,000 Lb. Carbody Counterweight  
360 Degree Rating**

## 100 Ft. JIB

Jib Oper. Rad. Feet	5 Degree Offset			15 Degree Offset			30 Degree Offset			Jib Oper. Rad. Feet
	Boom Ang. Deg.	Jib Point Elev. Feet	Jib Capacity Pounds	Boom Ang. Deg.	Jib Point Elev. Feet	Jib Capacity Pounds	Boom Ang. Deg.	Jib Point Elev. Feet	Jib Capacity Pounds	
<b>240 Ft. BOOM</b>										
75	80.5	342.8	40,900 *							75
80	79.7	341.7	40,300 *							80
85	78.8	340.6	39,700 *							85
90	78.0	339.4	39,200 *	81.0	336.3	34,600*				90
95	77.1	338.1	38,600 *	80.1	335.0	34,200*				95
100	76.2	336.7	38,100 *	79.2	333.6	33,700*				100
105	75.3	335.2	37,600 *	78.4	332.1	33,300*				105
110	74.5	333.7	37,000 *	77.5	330.6	32,800*	80.8	324.5	25,900*	110
115	73.6	332.1	36,600 *	76.6	328.9	32,300*	79.8	322.8	25,400*	115
120	72.7	330.3	36,100 *	75.7	327.2	31,900*	78.9	321.1	24,900*	120
125	71.8	328.5	35,600 *	74.8	325.4	31,400*	78.0	319.2	24,400*	125
130	70.9	326.6	35,100 *	73.9	323.5	31,000*	77.1	317.3	23,900*	130
140	69.1	322.6	34,200 *	72.1	319.4	30,200*	75.2	313.2	23,000*	140
150	67.3	318.1	33,200 *	70.2	314.9	29,400*	73.3	308.6	22,200*	150
160	65.4	313.3	32,300 *	68.3	310.0	28,600*	71.4	303.7	21,500*	160
170	63.5	308.1	31,400 *	66.4	304.7	27,900*	69.5	298.3	20,800*	170
180	61.6	302.4	30,500 *	64.5	299.0	27,200*	67.5	292.5	20,100*	180
190	59.6	296.3	29,600 *	62.5	292.8	26,600*	65.4	286.2	19,500*	190
200	57.6	289.7	28,800 *	60.4	286.1	26,000*	63.3	279.4	19,000*	200
210	55.6	282.5	28,000 *	58.3	278.8	25,400*	61.2	272.0	18,400*	210
220	53.4	274.8	26,100	56.2	271.0	24,800*	59.0	264.0	18,000*	220
230	51.3	266.5	23,800 *	54.0	262.6	24,300*	56.7	255.4	17,500*	230
240	49.0	257.5	21,200 *	51.7	253.4	22,800*	54.4	246.0	17,100*	240
250	46.7	247.8	18,900 *	49.3	243.5	20,300*	51.9	235.8	16,700*	250
260	44.2	237.2	16,700 *	46.8	232.7	18,000*	49.3	224.7	16,400*	260
270	41.7	225.6	14,700 *	44.2	220.9	15,900*	46.6	212.5	16,100*	270
280	38.9	212.9	12,800 *	41.4	207.9	13,900*				280
290	36.0	198.8	11,000 *	38.5	193.5	12,000*				290
300	32.9	183.0	9,400 *	35.2	177.2	10,200*				300
310	29.5	165.1	7,800 *							310



# Liftcrane Jib Capacities

# M-250 SERIES 3

Jib No. 132 with 20 Ft. Strut on  
Boom No. 44 With Long Reach Top  
248,700 Lb. Crane Counterweight  
120,000 Lb. Carbody Counterweight  
360 Degree Rating

Meets ANSI B30.5 Requirements
-------------------------------------

## 100 Ft. JIB

Jib Oper. Rad. Feet	5 Degree Offset			15 Degree Offset			30 Degree Offset			Jib Oper. Rad. Feet
	Boom Ang. Deg.	Jib Point Elev. Feet	Jib Capacity Pounds	Boom Ang. Deg.	Jib Point Elev. Feet	Jib Capacity Pounds	Boom Ang. Deg.	Jib Point Elev. Feet	Jib Capacity Pounds	
<b>250 Ft. BOOM</b>										
75	80.8	353.0	41,100 *							75
80	80.0	352.0	40,500 *							80
85	79.1	350.9	39,900 *							85
90	78.3	349.7	39,400 *							90
95	77.5	348.4	38,800 *	80.4	345.3	34,300*				95
100	76.6	347.1	38,300 *	79.6	344.0	33,900*				100
105	75.8	345.7	37,800 *	78.7	342.5	33,400*				105
110	74.9	344.2	37,300 *	77.8	341.0	33,000*				110
115	74.1	342.6	36,800 *	77.0	339.4	32,500*	80.2	333.3	25,600*	115
120	73.2	340.9	36,300 *	76.1	337.7	32,100*	79.3	331.6	25,100*	120
125	72.4	339.2	35,900 *	75.2	336.0	31,700*	78.4	329.8	24,600*	125
130	71.5	337.3	35,400 *	74.4	334.1	31,200*	77.5	327.9	24,100*	130
140	69.7	333.4	34,500 *	72.6	330.2	30,400*	75.7	323.9	23,300*	140
150	68.0	329.1	33,600 *	70.8	325.8	29,600*	73.9	319.5	22,400*	150
160	66.2	324.5	32,600 *	69.0	321.1	28,900*	72.0	314.8	21,700*	160
170	64.3	319.4	31,700 *	67.2	316.0	28,200*	70.1	309.6	21,000*	170
180	62.5	314.0	30,900 *	65.3	310.5	27,500*	68.2	304.0	20,400*	180
190	60.6	308.1	30,000 *	63.4	304.6	26,900*	66.3	297.9	19,800*	190
200	58.7	301.7	29,200 *	61.4	298.1	26,200*	64.3	291.4	19,200*	200
210	56.7	294.9	28,000 *	59.4	291.2	25,700*	62.2	284.4	18,700*	210
220	54.7	287.5	25,700 *	57.4	283.7	25,100*	60.1	276.7	18,200*	220
230	52.6	279.6	23,500 *	55.3	275.7	24,600*	57.9	268.5	17,800*	230
240	50.4	271.0	21,000 *	53.1	267.0	22,600 *	55.7	259.7	17,300*	240
250	48.2	261.8	18,600 *	50.8	257.6	20,100*	53.4	250.0	17,000*	250
260	45.9	251.8	16,400 *	48.5	247.5	17,800*	51.0	239.6	16,600*	260
270	43.5	241.0	14,400 *	46.0	236.4	15,700*	48.4	228.2	16,300*	270
280	41.0	229.2	12,500 *	43.5	224.4	13,700*	45.8	215.7	15,100*	280
290	38.3	216.2	10,800 *	40.7	211.1	11,800*				290
300	35.5	201.8	9,100 *	37.8	196.3	10,000*				300
310	32.4	185.8	7,600 *	34.6	179.8	8,400*				310
320	29.0	167.5	6,100 *							320



# Liftcrane Jib Capacities

# M-250 SERIES 3

Meets  
ANSI B30.5  
Requirements

**Jib No. 132 with 20 Ft. Strut on  
Boom No. 44 With Long Reach Top  
248,700 Lb. Crane Counterweight  
120,000 Lb. Carbody Counterweight  
360 Degree Rating**

## 100 Ft. JIB

Jib Oper. Rad. Feet	5 Degree Offset			15 Degree Offset			30 Degree Offset			Jib Oper. Rad. Feet
	Boom Ang. Deg.	Jib Point Elev. Feet	Jib Capacity Pounds	Boom Ang. Deg.	Jib Point Elev. Feet	Jib Capacity Pounds	Boom Ang. Deg.	Jib Point Elev. Feet	Jib Capacity Pounds	
<b>260 Ft. BOOM</b>										
80	80.3	362.2	40,700 *							80
85	79.5	361.1	40,100 *							85
90	78.6	360.0	39,600 *							90
95	77.8	358.7	39,100 *	80.7	355.6	34,400*				95
100	77.0	357.4	38,500 *	79.9	354.3	34,000*				100
105	76.2	356.1	38,000 *	79.0	352.9	33,600*				105
110	75.4	354.6	37,600 *	78.2	351.4	33,200*				110
115	74.5	353.1	37,100 *	77.4	349.9	32,700*	80.4	343.7	25,700*	115
120	73.7	351.5	36,600 *	76.5	348.3	32,300*	79.6	342.0	25,200*	120
125	72.9	349.8	36,100 *	75.7	346.6	31,900*	78.7	340.3	24,800*	125
130	72.0	348.0	35,700 *	74.8	344.8	31,500*	77.9	338.5	24,300*	130
140	70.3	344.2	34,800 *	73.1	340.9	30,700*	76.1	334.6	23,500*	140
150	68.6	340.0	33,900 *	71.4	336.7	29,900*	74.4	330.4	22,700*	150
160	66.9	335.5	33,000 *	69.6	332.2	29,100*	72.6	325.8	21,900*	160
170	65.1	330.7	32,100 *	67.9	327.3	28,400*	70.8	320.8	21,200*	170
180	63.3	325.4	31,300 *	66.0	321.9	27,800*	68.9	315.4	20,600*	180
190	61.5	319.7	30,400 *	64.2	316.2	27,100*	67.0	309.6	20,000*	190
200	59.6	313.6	29,600 *	62.3	310.0	26,500*	65.1	303.3	19,400*	200
210	57.8	307.1	27,400	60.4	303.4	25,900*	63.1	296.5	18,900*	210
220	55.8	300.0	25,100	58.4	296.2	25,400*	61.1	289.2	18,400*	220
230	53.8	292.4	22,900 *	56.4	288.6	24,000	59.1	281.4	18,000*	230
240	51.8	284.3	20,400 *	54.4	280.3	22,000	56.9	273.0	17,600*	240
250	49.7	275.5	18,000 *	52.2	271.4	19,600*	54.7	263.9	17,200*	250
260	47.5	266.0	15,800 *	50.0	261.8	17,300*	52.5	254.0	16,800*	260
270	45.2	255.8	13,800 *	47.7	251.4	15,200*	50.1	243.3	16,500*	270
280	42.9	244.7	12,000 *	45.3	240.1	13,200*	47.6	231.7	14,700*	280
290	40.4	232.7	10,200 *	42.7	227.7	11,300*				290
300	37.8	219.4	8,600 *	40.1	214.2	9,600*				300
310	34.9	204.8	7,000 *	37.2	199.2	7,900*				310
320	31.9	188.4	5,600 *	34.0	182.3	6,300*				320
330	28.6	169.8	4,100 *							330



# Liftcrane Jib Capacities

# M-250 SERIES 3

Jib No. 132 with 20 Ft. Strut on  
Boom No. 44 With Long Reach Top  
248,700 Lb. Crane Counterweight  
120,000 Lb. Carbody Counterweight  
360 Degree Rating

Meets  
ANSI B30.5  
Requirements

## 100 Ft. JIB

Jib Oper. Rad. Feet	5 Degree Offset			15 Degree Offset			30 Degree Offset			Jib Oper. Rad. Feet
	Boom Ang. Deg.	Jib Point Elev. Feet	Jib Capacity Pounds	Boom Ang. Deg.	Jib Point Elev. Feet	Jib Capacity Pounds	Boom Ang. Deg.	Jib Point Elev. Feet	Jib Capacity Pounds	
<b>270 Ft. BOOM</b>										
80	80.5	372.4	40,900 *							80
85	79.7	371.3	40,300 *							85
90	79.0	370.2	39,800 *							90
95	78.2	369.0	39,300 *	80.9	365.9	34,600*				95
100	77.4	367.8	38,800 *	80.1	364.6	34,200*				100
105	76.6	366.4	38,300 *	79.3	363.3	33,800*				105
110	75.8	365.0	37,800 *	78.5	361.8	33,300*				110
115	75.0	363.5	37,300 *	77.7	360.3	32,900*	80.7	354.0	25,800*	115
120	74.2	362.0	36,800 *	76.9	358.8	32,500*	79.9	352.4	25,400*	120
125	73.3	360.3	36,400 *	76.1	357.1	32,000*	79.1	350.8	25,000*	125
130	72.5	358.6	35,900 *	75.3	355.4	31,600*	78.2	349.0	24,500*	130
140	70.9	354.9	35,100 *	73.6	351.6	30,900*	76.5	345.3	23,700*	140
150	69.2	350.9	34,200 *	71.9	347.6	30,100*	74.8	341.2	22,900*	150
160	67.5	346.5	33,400 *	70.2	343.2	29,400*	73.1	336.7	22,100*	160
170	65.8	341.8	32,500 *	68.5	338.4	28,700*	71.3	331.9	21,400*	170
180	64.1	336.7	31,600 *	66.8	333.3	28,000*	69.6	326.7	20,800*	180
190	62.4	331.3	30,800 *	65.0	327.7	27,400*	67.7	321.1	20,200*	190
200	60.6	325.4	29,400	63.2	321.8	26,800*	65.9	315.0	19,700*	200
210	58.7	319.1	26,800	61.3	315.4	26,200*	64.0	308.5	19,100*	210
220	56.9	312.3	24,500	59.4	308.5	25,700*	62.1	301.6	18,700*	220
230	55.0	305.0	22,400	57.5	301.2	23,500	60.1	294.1	18,200*	230
240	53.0	297.2	19,800 *	55.5	293.3	21,500	58.1	286.0	17,800*	240
250	51.0	288.9	17,500 *	53.5	284.8	19,100*	56.0	277.3	17,400*	250
260	48.9	279.9	15,300 *	51.4	275.7	16,800*	53.8	268.0	17,000*	260
270	46.8	270.2	13,300 *	49.2	265.8	14,700*	51.6	257.9	16,500*	270
280	44.6	259.7	11,400 *	46.9	255.2	12,700*	49.2	246.9	14,300*	280
290	42.2	248.4	9,700 *	44.6	243.7	10,800*	46.8	235.0	12,200*	290
300	39.8	236.1	8,000 *	42.1	231.1	9,100*				300
310	37.2	222.6	6,500 *	39.4	217.3	7,500*				310
320	34.4	207.7	5,100 *	36.6	202.0	5,900*				320
330				33.5	184.8	4,400*				330



# Liftcrane Jib Capacities

# M-250 SERIES 3

Meets  
ANSI B30.5  
Requirements

**Jib No. 132 with 20 Ft. Strut on  
Boom No. 44 With Long Reach Top  
248,700 Lb. Crane Counterweight  
120,000 Lb. Carbody Counterweight  
360 Degree Rating**

## 120 Ft. JIB

Jib Oper. Rad. Feet	5 Degree Offset			15 Degree Offset			30 Degree Offset			Jib Oper. Rad. Feet
	Boom Ang. Deg.	Jib Point Elev. Feet	Jib Capacity Pounds	Boom Ang. Deg.	Jib Point Elev. Feet	Jib Capacity Pounds	Boom Ang. Deg.	Jib Point Elev. Feet	Jib Capacity Pounds	
<b>190 Ft. BOOM</b>										
70	80.5	313.4	32,800 *							70
75	79.5	312.3	32,100 *							75
80	78.6	311.1	31,500 *							80
85	77.7	309.9	30,800 *							85
90	76.7	308.5	30,100 *	81.0	306.0	24,300*				90
95	75.7	307.1	29,500 *	80.0	304.6	23,800*				95
100	74.8	305.6	28,800 *	79.0	303.1	23,300*				100
105	73.8	304.0	28,200 *	78.1	301.4	22,800*				105
110	72.8	302.2	27,600 *	77.1	299.7	22,300*				110
115	71.9	300.4	27,000 *	76.1	297.9	21,800*	80.3	291.4	18,500*	115
120	70.9	298.5	26,400 *	75.1	296.0	21,400*	79.2	289.4	18,200*	120
125	69.9	296.5	25,800 *	74.1	294.0	20,900*	78.2	287.4	17,800*	125
130	68.9	294.4	25,200 *	73.1	291.9	20,500*	77.2	285.2	17,500*	130
140	66.9	289.9	24,100 *	71.1	287.4	19,700*	75.1	280.6	16,900*	140
150	64.8	284.9	23,000 *	69.0	282.5	18,900*	73.0	275.5	16,300*	150
160	62.7	279.5	22,000 *	66.9	277.0	18,100*	70.8	269.9	15,700*	160
170	60.6	273.6	21,100 *	64.7	271.1	17,500*	68.6	263.9	15,200*	170
180	58.4	267.2	20,200 *	62.5	264.7	16,800*	66.3	257.2	14,700*	180
190	56.2	260.2	19,300 *	60.3	257.7	16,200*	64.0	250.0	14,200*	190
200	53.9	252.6	18,500 *	57.9	250.1	15,600*	61.6	242.2	13,800*	200
210	51.5	244.4	17,700 *	55.5	241.8	15,000*	59.1	233.6	13,400*	210
220	49.0	235.4	17,000 *	53.0	232.7	14,500*	56.5	224.2	13,100*	220
230	46.5	225.6	16,300 *	50.4	222.8	14,000*	53.8	213.9	12,700*	230
240	43.8	214.8	15,700 *	47.7	212.0	13,600*	50.9	202.5	12,400*	240
250	40.9	202.9	15,100 *	44.8	200.0	13,200*	47.9	189.9	12,200*	250
260	37.9	189.7	14,500 *	41.7	186.6	12,800*	44.6	175.8	12,000*	260
270	34.6	174.9	14,000 *	38.4	171.6	12,500*				270
280	31.0	158.0	13,500 *	34.7	154.3	12,200*				280
290	26.9	138.1	13,100 *							290



# Liftcrane Jib Capacities

# M-250 SERIES 3

Jib No. 132 with 20 Ft. Strut on  
Boom No. 44 With Long Reach Top  
248,700 Lb. Crane Counterweight  
120,000 Lb. Carbody Counterweight  
360 Degree Rating

Meets  
ANSI B30.5  
Requirements

## 120 Ft. JIB

Jib Oper. Rad. Feet	5 Degree Offset			15 Degree Offset			30 Degree Offset			Jib Oper. Rad. Feet
	Boom Ang. Deg.	Jib Point Elev. Feet	Jib Capacity Pounds	Boom Ang. Deg.	Jib Point Elev. Feet	Jib Capacity Pounds	Boom Ang. Deg.	Jib Point Elev. Feet	Jib Capacity Pounds	
<b>200 Ft. BOOM</b>										
70	80.8	323.6	33,000 *							70
75	79.9	322.5	32,400 *							75
80	79.0	321.4	31,700 *							80
85	78.0	320.2	31,100 *							85
90	77.1	318.9	30,400 *							90
95	76.2	317.5	29,800 *	80.3	314.9	23,900*				95
100	75.3	316.0	29,200 *	79.4	313.5	23,500*				100
105	74.3	314.5	28,600 *	78.4	311.9	23,000*				105
110	73.4	312.8	27,900 *	77.5	310.3	22,500*				110
115	72.5	311.1	27,300 *	76.5	308.5	22,100*	80.6	301.9	18,600*	115
120	71.5	309.2	26,800 *	75.6	306.7	21,600*	79.6	300.0	18,300*	120
125	70.6	307.3	26,200 *	74.6	304.8	21,200*	78.6	298.0	18,000*	125
130	69.6	305.3	25,600 *	73.7	302.7	20,700*	77.6	295.9	17,600*	130
140	67.7	300.9	24,500 *	71.7	298.4	19,900*	75.6	291.5	17,000*	140
150	65.7	296.2	23,500 *	69.7	293.6	19,200*	73.6	286.6	16,400*	150
160	63.7	291.0	22,500 *	67.7	288.4	18,400*	71.5	281.2	15,900*	160
170	61.6	285.3	21,500 *	65.6	282.7	17,700*	69.4	275.4	15,400*	170
180	59.5	279.2	20,600 *	63.5	276.6	17,100*	67.2	269.1	14,900*	180
190	57.4	272.5	19,800 *	61.4	269.9	16,500*	65.0	262.2	14,400*	190
200	55.2	265.3	18,900 *	59.1	262.6	15,900*	62.7	254.7	14,000*	200
210	52.9	257.4	18,200 *	56.9	254.8	15,300*	60.4	246.6	13,600*	210
220	50.6	248.9	17,500 *	54.5	246.2	14,800*	57.9	237.8	13,200*	220
230	48.2	239.7	16,800 *	52.0	236.9	14,300*	55.4	228.1	12,900*	230
240	45.7	229.6	16,100 *	49.5	226.7	13,900*	52.7	217.5	12,600*	240
250	43.0	218.6	15,500 *	46.8	215.6	13,500*	49.9	205.9	12,400*	250
260	40.2	206.4	14,900 *	43.9	203.3	13,100*	46.9	192.9	12,100*	260
270	37.2	192.9	14,400 *	40.9	189.7	12,700*				270
280	34.0	177.8	13,900 *	37.6	174.3	12,400*				280
290	30.4	160.5	13,400 *	34.0	156.7	12,200*				290
300	26.4	140.2	11,600 *							300



# Liftcrane Jib Capacities

# M-250 SERIES 3

Meets  
ANSI B30.5  
Requirements

**Jib No. 132 with 20 Ft. Strut on  
Boom No. 44 With Long Reach Top  
248,700 Lb. Crane Counterweight  
120,000 Lb. Carbody Counterweight  
360 Degree Rating**

## 120 Ft. JIB

Jib Oper. Rad. Feet	5 Degree Offset			15 Degree Offset			30 Degree Offset			Jib Oper. Rad. Feet
	Boom Ang. Deg.	Jib Point Elev. Feet	Jib Capacity Pounds	Boom Ang. Deg.	Jib Point Elev. Feet	Jib Capacity Pounds	Boom Ang. Deg.	Jib Point Elev. Feet	Jib Capacity Pounds	
<b>210 Ft. BOOM</b>										
75	80.2	332.8	32,600 *							75
80	79.3	331.7	32,000 *							80
85	78.4	330.5	31,300 *							85
90	77.5	329.2	30,700 *							90
95	76.6	327.9	30,100 *	80.6	325.2	24,100*				95
100	75.7	326.5	29,500 *	79.7	323.8	23,600*				100
105	74.8	325.0	28,900 *	78.8	322.3	23,200*				105
110	73.9	323.4	28,300 *	77.9	320.7	22,700*				110
115	73.0	321.7	27,700 *	77.0	319.0	22,300*	80.9	312.3	18,700*	115
120	72.1	319.9	27,100 *	76.1	317.3	21,800*	79.9	310.5	18,400*	120
125	71.2	318.0	26,500 *	75.1	315.4	21,400*	79.0	308.6	18,100*	125
130	70.2	316.1	26,000 *	74.2	313.5	21,000*	78.0	306.6	17,800*	130
140	68.4	311.9	24,900 *	72.3	309.3	20,200*	76.1	302.3	17,200*	140
150	66.5	307.3	23,900 *	70.4	304.7	19,400*	74.1	297.6	16,600*	150
160	64.5	302.3	22,900 *	68.4	299.7	18,700*	72.2	292.5	16,000*	160
170	62.6	296.8	22,000 *	66.5	294.2	18,000*	70.1	286.9	15,500*	170
180	60.6	290.9	21,100 *	64.4	288.3	17,400*	68.0	280.8	15,000*	180
190	58.5	284.6	20,200 *	62.4	281.9	16,700*	65.9	274.2	14,600*	190
200	56.4	277.7	19,400 *	60.2	275.0	16,200*	63.7	267.1	14,200*	200
210	54.3	270.2	18,600 *	58.1	267.5	15,600*	61.5	259.4	13,800*	210
220	52.1	262.1	17,900 *	55.8	259.4	15,100*	59.2	251.0	13,400*	220
230	49.8	253.4	17,200 *	53.5	250.6	14,600*	56.8	241.9	13,100*	230
240	47.4	243.9	16,500 *	51.1	241.0	14,100*	54.3	231.9	12,800*	240
250	44.9	233.5	15,900 *	48.6	230.6	13,700*	51.6	221.1	12,500*	250
260	42.3	222.2	15,300 *	45.9	219.2	13,300*	48.9	209.1	12,300*	260
270	39.5	209.8	14,800 *	43.1	206.6	13,000*	45.9	195.9	12,100*	270
280	36.6	196.0	14,300 *	40.2	192.7	12,600*				280
290	33.4	180.6	13,400 *	36.9	177.0	12,400*				290
300	29.9	163.0	11,700 *	33.3	159.0	12,100*				300
310	26.0	142.3	9,900 *							310



# Liftcrane Jib Capacities

# M-250 SERIES 3

Jib No. 132 with 20 Ft. Strut on  
Boom No. 44 With Long Reach Top  
248,700 Lb. Crane Counterweight  
120,000 Lb. Carbody Counterweight  
360 Degree Rating

Meets ANSI B30.5 Requirements
-------------------------------------

## 120 Ft. JIB

Jib Oper. Rad. Feet	5 Degree Offset			15 Degree Offset			30 Degree Offset			Jib Oper. Rad. Feet
	Boom Ang. Deg.	Jib Point Elev. Feet	Jib Capacity Pounds	Boom Ang. Deg.	Jib Point Elev. Feet	Jib Capacity Pounds	Boom Ang. Deg.	Jib Point Elev. Feet	Jib Capacity Pounds	
<b>220 Ft. BOOM</b>										
75	80.5	343.0	32,800 *							75
80	79.6	341.9	32,200 *							80
85	78.8	340.8	31,600 *							85
90	77.9	339.5	31,000 *							90
95	77.0	338.2	30,400 *	80.9	335.6	24,300*				95
100	76.2	336.9	29,800 *	80.0	334.2	23,800*				100
105	75.3	335.4	29,200 *	79.2	332.7	23,300*				105
110	74.4	333.9	28,600 *	78.3	331.2	22,900*				110
115	73.5	332.2	28,000 *	77.4	329.6	22,400*				115
120	72.6	330.5	27,500 *	76.5	327.8	22,000*	80.3	321.0	18,500*	120
125	71.8	328.7	26,900 *	75.6	326.0	21,600*	79.4	319.1	18,200*	125
130	70.9	326.8	26,400 *	74.7	324.2	21,200*	78.4	317.2	17,900*	130
140	69.0	322.8	25,300 *	72.9	320.1	20,400*	76.6	313.1	17,300*	140
150	67.2	318.3	24,300 *	71.0	315.7	19,600*	74.7	308.5	16,700*	150
160	65.4	313.5	23,300 *	69.1	310.8	18,900*	72.7	303.6	16,200*	160
170	63.5	308.3	22,400 *	67.2	305.6	18,300*	70.8	298.2	15,700*	170
180	61.5	302.6	21,500 *	65.3	299.9	17,600*	68.8	292.4	15,200*	180
190	59.6	296.5	20,600 *	63.3	293.8	17,000*	66.8	286.1	14,800*	190
200	57.6	289.9	19,800 *	61.3	287.2	16,400*	64.7	279.3	14,400*	200
210	55.5	282.7	19,000 *	59.2	280.0	15,900*	62.5	271.9	14,000*	210
220	53.4	275.0	18,300 *	57.1	272.3	15,400*	60.3	263.9	13,600*	220
230	51.2	266.7	17,600 *	54.9	263.9	14,900*	58.1	255.3	13,300*	230
240	49.0	257.7	17,000 *	52.6	254.9	14,400*	55.7	245.9	13,000*	240
250	46.6	248.0	16,400 *	50.2	245.0	14,000*	53.2	235.7	12,700*	250
260	44.2	237.4	15,800 *	47.7	234.4	13,600*	50.6	224.6	12,400*	260
270	41.6	225.9	15,200 *	45.1	222.7	13,200*	47.9	212.3	12,200*	270
280	38.9	213.2	14,600 *	42.4	209.9	12,900*	45.0	198.8	12,000*	280
290	36.0	199.1	12,900 *	39.4	195.6	12,600*				290
300	32.9	183.4	11,200 *	36.3	179.6	12,300*				300
310	29.4	165.4	9,700 *	32.7	161.3	10,800*				310





# Liftcrane Jib Capacities

# M-250 SERIES 3

Meets  
ANSI B30.5  
Requirements

**Jib No. 132 with 20 Ft. Strut on  
 Boom No. 44 With Long Reach Top  
 248,700 Lb. Crane Counterweight  
 120,000 Lb. Carbody Counterweight  
 360 Degree Rating**

## 120 Ft. JIB

Jib Oper. Rad. Feet	5 Degree Offset			15 Degree Offset			30 Degree Offset			Jib Oper. Rad. Feet
	Boom Ang. Deg.	Jib Point Elev. Feet	Jib Capacity Pounds	Boom Ang. Deg.	Jib Point Elev. Feet	Jib Capacity Pounds	Boom Ang. Deg.	Jib Point Elev. Feet	Jib Capacity Pounds	
<b>230 Ft. BOOM</b>										
75	80.7	353.2	32,900 *							75
80	79.9	352.1	32,400 *							80
85	79.1	351.0	31,800 *							85
90	78.2	349.8	31,200 *							90
95	77.4	348.6	30,600 *							95
100	76.6	347.2	30,000 *	80.3	344.5	23,900*				100
105	75.7	345.8	29,500 *	79.5	343.1	23,500*				105
110	74.9	344.3	28,900 *	78.6	341.6	23,000*				110
115	74.0	342.7	28,300 *	77.8	340.0	22,600*				115
120	73.2	341.1	27,800 *	76.9	338.4	22,200*	80.6	331.4	18,600*	120
125	72.3	339.3	27,200 *	76.0	336.6	21,800*	79.7	329.6	18,300*	125
130	71.4	337.5	26,700 *	75.1	334.8	21,400*	78.8	327.8	18,000*	130
140	69.7	333.6	25,700 *	73.4	330.9	20,600*	77.0	323.8	17,400*	140
150	67.9	329.3	24,600 *	71.6	326.6	19,900*	75.2	319.4	16,900*	150
160	66.1	324.6	23,700 *	69.8	321.9	19,200*	73.3	314.6	16,300*	160
170	64.3	319.6	22,800 *	67.9	316.9	18,500*	71.4	309.4	15,800*	170
180	62.4	314.1	21,900 *	66.1	311.4	17,900*	69.5	303.8	15,400*	180
190	60.5	308.3	21,000 *	64.2	305.5	17,300*	67.5	297.8	14,900*	190
200	58.6	301.9	20,200 *	62.2	299.2	16,700*	65.5	291.2	14,500*	200
210	56.6	295.1	19,500 *	60.2	292.3	16,200*	63.5	284.2	14,100*	210
220	54.6	287.7	18,700 *	58.2	284.9	15,600*	61.4	276.6	13,800*	220
230	52.5	279.8	18,000 *	56.1	276.9	15,200*	59.2	268.4	13,400*	230
240	50.4	271.3	17,400 *	53.9	268.4	14,700*	57.0	259.5	13,100*	240
250	48.2	262.0	16,800 *	51.7	259.1	14,300*	54.7	249.9	12,800*	250
260	45.9	252.1	16,200 *	49.4	249.0	13,900*	52.2	239.4	12,600*	260
270	43.5	241.2	15,600 *	46.9	238.1	13,500*	49.7	228.0	12,300*	270
280	41.0	229.4	14,200 *	44.4	226.2	13,100*	47.0	215.5	12,100*	280
290	38.3	216.5	12,400 *	41.7	213.1	12,800*	44.2	201.7	12,000*	290
300	35.5	202.1	10,800 *	38.8	198.5	12,200*				300
310	32.4	186.1	9,200 *	35.6	182.2	10,500*				310
320	29.0	167.8	7,800 *	32.2	163.6	8,800*				320



# Liftcrane Jib Capacities

# M-250 SERIES 3

Jib No. 132 with 20 Ft. Strut on  
Boom No. 44 With Long Reach Top  
248,700 Lb. Crane Counterweight  
120,000 Lb. Carbody Counterweight  
360 Degree Rating

Meets ANSI B30.5 Requirements
-------------------------------------

## 120 Ft. JIB

Jib Oper. Rad. Feet	5 Degree Offset			15 Degree Offset			30 Degree Offset			Jib Oper. Rad. Feet
	Boom Ang. Deg.	Jib Point Elev. Feet	Jib Capacity Pounds	Boom Ang. Deg.	Jib Point Elev. Feet	Jib Capacity Pounds	Boom Ang. Deg.	Jib Point Elev. Feet	Jib Capacity Pounds	
<b>240 Ft. BOOM</b>										
80	80.2	362.3	32,600 *							80
85	79.4	361.3	32,000 *							85
90	78.6	360.1	31,400 *							90
95	77.8	358.9	30,900 *							95
100	76.9	357.6	30,300 *	80.6	354.8	24,100*				100
105	76.1	356.2	29,700 *	79.8	353.4	23,600*				105
110	75.3	354.8	29,200 *	78.9	352.0	23,200*				110
115	74.5	353.2	28,600 *	78.1	350.5	22,800*				115
120	73.6	351.6	28,100 *	77.3	348.9	22,400*	80.8	341.8	18,700*	120
125	72.8	349.9	27,500 *	76.4	347.2	22,000*	80.0	340.1	18,400*	125
130	72.0	348.2	27,000 *	75.6	345.4	21,600*	79.1	338.3	18,100*	130
140	70.3	344.4	26,000 *	73.9	341.6	20,800*	77.4	334.4	17,500*	140
150	68.6	340.2	25,000 *	72.1	337.5	20,100*	75.6	330.2	17,000*	150
160	66.8	335.7	24,000 *	70.4	333.0	19,400*	73.8	325.6	16,500*	160
170	65.1	330.8	23,100 *	68.6	328.1	18,700*	72.0	320.6	16,000*	170
180	63.3	325.6	22,300 *	66.8	322.8	18,100*	70.2	315.2	15,500*	180
190	61.5	319.9	21,400 *	65.0	317.1	17,500*	68.3	309.4	15,100*	190
200	59.6	313.8	20,600 *	63.1	311.0	17,000*	66.4	303.1	14,700*	200
210	57.7	307.2	19,900 *	61.2	304.4	16,400*	64.4	296.3	14,300*	210
220	55.8	300.2	19,100 *	59.2	297.3	15,900*	62.4	289.0	13,900*	220
230	53.8	292.6	18,400 *	57.2	289.7	15,400*	60.3	281.2	13,600*	230
240	51.7	284.5	17,800 *	55.2	281.5	15,000*	58.2	272.7	13,300*	240
250	49.6	275.7	17,200 *	53.0	272.7	14,500*	56.0	263.6	13,000*	250
260	47.5	266.3	16,600 *	50.8	263.2	14,100*	53.7	253.8	12,700*	260
270	45.2	256.0	15,400 *	48.5	252.9	13,700*	51.3	243.0	12,500*	270
280	42.8	245.0	13,600 *	46.2	241.8	13,400*	48.8	231.4	12,300*	280
290	40.3	232.9	11,800 *	43.6	229.6	13,000*	46.2	218.6	12,100*	290
300	37.7	219.7	10,200 *	41.0	216.2	11,700*				300
310	34.9	205.1	8,700 *	38.1	201.4	10,000*				310
320	31.9	188.8	7,200 *	35.0	184.8	8,400*				320
330	28.5	170.2	5,800 *							330



# Liftcrane Jib Capacities

# M-250 SERIES 3

Meets  
ANSI B30.5  
Requirements

**Jib No. 132 with 20 Ft. Strut on  
Boom No. 44 With Long Reach Top  
248,700 Lb. Crane Counterweight  
120,000 Lb. Carbody Counterweight  
360 Degree Rating**

## 120 Ft. JIB

Jib Oper. Rad. Feet	5 Degree Offset			15 Degree Offset			30 Degree Offset			Jib Oper. Rad. Feet
	Boom Ang. Deg.	Jib Point Elev. Feet	Jib Capacity Pounds	Boom Ang. Deg.	Jib Point Elev. Feet	Jib Capacity Pounds	Boom Ang. Deg.	Jib Point Elev. Feet	Jib Capacity Pounds	
<b>250 Ft. BOOM</b>										
80	80.5	372.5	32,800 *							80
85	79.7	371.5	32,200 *							85
90	78.9	370.4	31,700 *							90
95	78.1	369.2	31,100 *							95
100	77.3	367.9	30,600 *	80.9	365.1	24,200*				100
105	76.5	366.6	30,000 *	80.1	363.8	23,800*				105
110	75.7	365.2	29,400 *	79.3	362.4	23,400*				110
115	74.9	363.7	28,900 *	78.4	360.9	23,000*				115
120	74.1	362.1	28,400 *	77.6	359.3	22,600*				120
125	73.3	360.5	27,900 *	76.8	357.7	22,200*	80.3	350.6	18,500*	125
130	72.5	358.8	27,300 *	76.0	356.0	21,800*	79.4	348.8	18,200*	130
140	70.8	355.1	26,300 *	74.3	352.3	21,000*	77.8	345.1	17,700*	140
150	69.2	351.1	25,400 *	72.7	348.3	20,300*	76.0	341.0	17,100*	150
160	67.5	346.7	24,400 *	71.0	343.9	19,600*	74.3	336.5	16,600*	160
170	65.8	342.0	23,500 *	69.3	339.2	19,000*	72.6	331.7	16,100*	170
180	64.1	336.9	22,600 *	67.5	334.1	18,400*	70.8	326.5	15,700*	180
190	62.3	331.5	21,800 *	65.7	328.6	17,800*	69.0	320.8	15,200*	190
200	60.5	325.6	21,000 *	63.9	322.7	17,200*	67.1	314.8	14,800*	200
210	58.7	319.3	20,300 *	62.1	316.4	16,700*	65.2	308.3	14,500*	210
220	56.8	312.5	19,500 *	60.2	309.6	16,200*	63.3	301.3	14,100*	220
230	54.9	305.2	18,800 *	58.3	302.3	15,700*	61.3	293.8	13,800*	230
240	53.0	297.4	18,200 *	56.3	294.5	15,200*	59.3	285.7	13,400*	240
250	51.0	289.1	17,600 *	54.3	286.1	14,800*	57.2	277.1	13,100*	250
260	48.9	280.1	17,000 *	52.2	277.0	14,400*	55.0	267.7	12,900*	260
270	46.7	270.4	15,100 *	50.0	267.3	14,000*	52.8	257.6	12,600*	270
280	44.5	260.0	13,300 *	47.8	256.8	13,600*	50.4	246.6	12,400*	280
290	42.2	248.7	11,500 *	45.4	245.4	13,300*	48.0	234.7	12,200*	290
300	39.8	236.4	9,900 *	42.9	232.9	11,500*	45.4	221.7	12,000*	300
310	37.2	222.9	8,400 *	40.3	219.3	9,800*				310
320	34.4	208.0	7,000 *	37.5	204.2	8,200*				320
330	31.4	191.4	5,600 *	34.5	187.3	6,700*				330
340	28.1	172.5	4,300 *							340



# Liftcrane Jib Capacities

# M-250 SERIES 3

Jib No. 132 with 20 Ft. Strut on  
Boom No. 44 With Long Reach Top  
248,700 Lb. Crane Counterweight  
120,000 Lb. Carbody Counterweight  
360 Degree Rating

Meets ANSI B30.5 Requirements
-------------------------------------

## 120 Ft. JIB

Jib Oper. Rad. Feet	5 Degree Offset			15 Degree Offset			30 Degree Offset			Jib Oper. Rad. Feet
	Boom Ang. Deg.	Jib Point Elev. Feet	Jib Capacity Pounds	Boom Ang. Deg.	Jib Point Elev. Feet	Jib Capacity Pounds	Boom Ang. Deg.	Jib Point Elev. Feet	Jib Capacity Pounds	
<b>260 Ft. BOOM</b>										
80	80.7	382.7	32,900 *							80
85	80.0	381.7	32,400 *							85
90	79.2	380.6	31,900 *							90
95	78.4	379.5	31,300 *							95
100	77.6	378.3	30,800 *							100
105	76.9	377.0	30,200 *	80.3	374.1	23,900*				105
110	76.1	375.6	29,700 *	79.6	372.7	23,500*				110
115	75.3	374.1	29,200 *	78.8	371.3	23,100*				115
120	74.5	372.6	28,700 *	78.0	369.8	22,700*				120
125	73.7	371.0	28,100 *	77.2	368.2	22,300*	80.6	361.0	18,600*	125
130	73.0	369.4	27,600 *	76.4	366.5	22,000*	79.7	359.3	18,300*	130
140	71.4	365.8	26,600 *	74.8	362.9	21,200*	78.1	355.6	17,800*	140
150	69.7	361.9	25,700 *	73.2	359.1	20,500*	76.4	351.7	17,200*	150
160	68.1	357.7	24,800 *	71.5	354.8	19,800*	74.8	347.4	16,700*	160
170	66.5	353.1	23,900 *	69.8	350.3	19,200*	73.1	342.7	16,300*	170
180	64.8	348.2	23,000 *	68.2	345.3	18,600*	71.3	337.6	15,800*	180
190	63.1	342.9	22,200 *	66.5	340.0	18,000*	69.6	332.2	15,400*	190
200	61.4	337.2	21,400 *	64.7	334.4	17,400*	67.8	326.4	15,000*	200
210	59.6	331.1	20,600 *	62.9	328.2	16,900*	66.0	320.1	14,600*	210
220	57.8	324.6	19,900 *	61.1	321.7	16,400*	64.1	313.4	14,300*	220
230	56.0	317.6	19,200 *	59.3	314.7	15,900*	62.2	306.2	13,900*	230
240	54.1	310.2	18,600 *	57.4	307.2	15,500*	60.3	298.5	13,600*	240
250	52.2	302.2	17,900 *	55.5	299.2	15,000*	58.3	290.2	13,300*	250
260	50.2	293.6	16,500 *	53.5	290.5	14,600*	56.2	281.3	13,000*	260
270	48.2	284.4	14,500 *	51.4	281.3	14,200*	54.1	271.7	12,800*	270
280	46.1	274.5	12,700 *	49.3	271.3	13,800*	51.9	261.4	12,500*	280
290	43.9	263.8	10,900 *	47.0	260.6	12,800*	49.6	250.2	12,300*	290
300	41.6	252.3	9,300 *	44.7	248.9	11,000*	47.1	238.0	12,200*	300
310	39.2	239.8	7,800 *	42.3	236.2	9,300*	44.6	224.7	10,400*	310
320	36.6	226.0	6,400 *	39.7	222.3	7,700*				320
330	33.9	210.9	5,000 *	36.9	207.0	6,200*				330
340				33.9	189.8	4,800*				340



# Liftcrane Jib Capacities

# M-250 SERIES 3

Meets  
ANSI B30.5  
Requirements

**Jib No. 132 with 20 Ft. Strut on  
Boom No. 44 With Long Reach Top  
248,700 Lb. Crane Counterweight  
120,000 Lb. Carbody Counterweight  
360 Degree Rating**

## 120 Ft. JIB

Jib Oper. Rad. Feet	5 Degree Offset			15 Degree Offset			30 Degree Offset			Jib Oper. Rad. Feet
	Boom Ang. Deg.	Jib Point Elev. Feet	Jib Capacity Pounds	Boom Ang. Deg.	Jib Point Elev. Feet	Jib Capacity Pounds	Boom Ang. Deg.	Jib Point Elev. Feet	Jib Capacity Pounds	
<b>270 Ft. BOOM</b>										
80	81.0	392.9	33,100 *							80
85	80.2	391.9	32,600 *							85
90	79.5	390.9	32,100 *							90
95	78.7	389.7	31,500 *							95
100	78.0	388.6	31,000 *							100
105	77.2	387.3	30,500 *	80.6	384.4	24,100*				105
110	76.5	386.0	30,000 *	79.8	383.1	23,600*				110
115	75.7	384.5	29,400 *	79.1	381.7	23,300*				115
120	74.9	383.1	28,900 *	78.3	380.2	22,900*				120
125	74.2	381.5	28,400 *	77.5	378.6	22,500*	80.8	371.4	18,700*	125
130	73.4	379.9	27,900 *	76.7	377.0	22,100*	80.0	369.7	18,400*	130
140	71.9	376.4	26,900 *	75.2	373.6	21,400*	78.4	366.2	17,900*	140
150	70.3	372.6	26,000 *	73.6	369.8	20,700*	76.8	362.3	17,400*	150
160	68.7	368.6	25,100 *	72.0	365.7	20,000*	75.2	358.2	16,900*	160
170	67.1	364.1	24,200 *	70.4	361.3	19,400*	73.6	353.6	16,400*	170
180	65.5	359.4	23,400 *	68.8	356.5	18,800*	71.9	348.8	16,000*	180
190	63.9	354.2	22,500 *	67.1	351.4	18,200*	70.2	343.5	15,500*	190
200	62.2	348.8	21,800 *	65.4	345.9	17,700*	68.5	337.9	15,100*	200
210	60.5	342.9	21,000 *	63.7	340.0	17,100*	66.7	331.8	14,800*	210
220	58.8	336.6	20,300 *	62.0	333.7	16,600*	64.9	325.4	14,400*	220
230	57.0	329.9	19,600 *	60.2	326.9	16,200*	63.1	318.5	14,100*	230
240	55.2	322.7	18,900 *	58.4	319.7	15,700*	61.2	311.0	13,700*	240
250	53.4	315.0	18,100 *	56.5	312.0	15,300*	59.3	303.1	13,500*	250
260	51.5	306.8	16,000 *	54.6	303.8	14,800*	57.3	294.6	13,200*	260
270	49.5	298.0	13,900 *	52.7	294.9	14,500*	55.3	285.5	12,900*	270
280	47.5	288.6	12,100 *	50.6	285.4	14,100*	53.2	275.7	12,700*	280
290	45.4	278.5	10,400 *	48.5	275.3	12,300*	51.0	265.1	12,500*	290
300	43.3	267.7	8,800 *	46.3	264.3	10,500*	48.8	253.7	11,800*	300
310	41.0	255.9	7,200 *	44.0	252.4	8,800*	46.4	241.3	10,000*	310
320	38.6	243.1	5,800 *	41.6	239.5	7,200*	43.8	227.7	8,200*	320
330	36.1	229.2	4,500 *	39.1	225.4	5,800*				330
340				36.3	209.7	4,300*				340



# Liftcrane Luffing Jib Capacities

**Luffing Jib No. 133 or No. 133A On  
Boom No. 44 With Heavy Lift Top  
248,700 Lb. Crane Counterweight  
120,000 Lb. Carbody Counterweight  
360 Degree Rating**

**LIFTING CAPACITIES:** Lifting capacities for various boom lengths, boom angles, luffing jib lengths, and luffing jib operating radii are for freely suspended loads and do not exceed 75% of a static tipping load. Capacities based on structural competence are denoted by an asterisk (\*). Capacities indicated by (b) require 4,800 Lb. minimum block weight.

Upper luffing jib point capacity for liftcrane service with single part whip line is 30,000 Lbs. In all cases, upper luffing jib point capacities cannot exceed those listed for main luffing jib capacities.

200 Ft. boom length requires only the middle 3 sheaves to be used on lower boom point. All other sheaves must be removed from lower boom point.

Weight of all load blocks, hooks, weight ball, slings, hoist lines, etc., beneath boom and luffing jib point sheaves, is considered part of luffing jib load. Boom and luffing jib are not to be lowered beyond radii where combined weights are greater than rated capacity. Where no capacity is shown, operation is not intended or approved.

**OPERATING CONDITIONS:** Machine to operate on a firm uniformly supporting surface with gantry up. During operation, boom must be maintained at one of the selected angles shown in chart. Refer to luffing jib assembly **No. 172894**, **No. 174308** or **No. 192086**, Wire Rope Specification chart **No. 7638-A**, Counterweight Arrangement chart **No. 7692-A** and Luffing Jib Raising Procedure chart **No. 7604-A**. Crane operator judgment must be used to allow for dynamic load effects of swinging, hoisting or

Designed And Tested  
With The Intent To Be In  
The Scope of ANSI B30.5

## M-250 SERIES 3

lowering, travel, wind conditions, as well as adverse operating conditions and physical machine depreciation. Refer to operators manual for operating guidelines.

**MACHINE TRAVEL:** Machine to travel on a firm, level and uniformly supporting surface with boom and luffing jib within angle range shown in capacity chart. Refer to Maximum Allowable Travel Specification chart **No. 7678-A**.

**OPERATING RADIUS:** Operating radius is horizontal distance from axis of rotation to center of vertical hoist line or load block. Boom angle is angle between horizontal and centerline of boom butt and inserts. Luffing jib angle is angle between horizontal and centerline of luffing jib butt and inserts, and is an indication of operating radius. In all cases, operating radius shall govern capacity.

**LUFFING JIB POINT ELEVATION:** Luffing jib point elevation is vertical distance from ground level to centerline of luffing jib point shaft.

**MACHINE EQUIPMENT:** Machine equipped with 30 Ft. 9 in. crawlers, 48 in. treads, 28 Ft. retractable gantry, 12 part boom hoist reeving, four 1-1/2 in. boom pendants or boom support straps, 10 part luffing jib hoist reeving, two 1-1/2 in. luffing jib pendants and backstays, 248,700 Lb. crane counterweight, two 30,000 Lb. and four 15,000 Lb. carbody counterweights.

Consult chart **No. 8054-A** for lifting off main boom point with luffing jib attached.

Deduct From Luffing Jib Capacities When Fixed Jib Is Attached	
Fixed Jib Length	Fixed Jib No.140
40 Ft.	7,200 Lbs.
60 Ft.	8,900 Lbs.
80 Ft.	11,100 Lbs.
100 Ft.	13,400 Lbs.
120 Ft.	16,000 Lbs.



# Liftcrane Luffing Jib Capacities

## M-250 SERIES 3

Luffing Jib No. 133 or No. 133A On  
 Boom No. 44 With Heavy Lift Top  
 248,700 Lb. Crane Counterweight  
 120,000 Lb. Carbody Counterweight  
 360 Degree Rating

Designed And Tested  
 With The Intent To Be In  
 The Scope of ANSI B30.5

### 80 Ft. Boom, 70 Ft. Jib

Jib Oper. Rad. Feet	88 Degree Boom Angle			83 Degree Boom Angle			80 Degree Boom Angle			75 Degree Boom Angle			70 Degree Boom Angle			65 Degree Boom Angle			60 Degree Boom Angle			Jib Oper. Rad. Feet
	Jib Ang. Deg.	Jib Point Elev. Feet	Luffing Jib Capacity Pounds	Jib Ang. Deg.	Jib Point Elev. Feet	Luffing Jib Capacity Pounds	Jib Ang. Deg.	Jib Point Elev. Feet	Luffing Jib Capacity Pounds	Jib Ang. Deg.	Jib Point Elev. Feet	Luffing Jib Capacity Pounds	Jib Ang. Deg.	Jib Point Elev. Feet	Luffing Jib Capacity Pounds	Jib Ang. Deg.	Jib Point Elev. Feet	Luffing Jib Capacity Pounds	Jib Ang. Deg.	Jib Point Elev. Feet	Luffing Jib Capacity Pounds	
36	69.9	155.4	180,000 *b																			36
38	68.1	154.6	174,000 *b																			38
40	66.3	153.7	166,800 *b																			40
45	61.7	151.2	150,600 *b	68.2	154.0	173,500 *b																45
50	56.9	148.1	132,700 *b	63.7	151.7	156,800 *b	67.6	153.0	170,300 *b													50
55	51.8	144.4	117,400 *	59.0	148.8	142,600 *b	63.0	150.6	154,200 *b													55
60	46.3	139.9	104,200 *	54.0	145.4	124,000 *	58.3	147.6	139,500 *b													60
65	40.2	134.4	93,500 *	48.7	141.2	109,500 *	53.3	144.1	122,000 *	60.2	147.2	148,500 *b										65
70	33.2	127.4	84,700 *	42.9	136.2	97,900 *	47.9	139.8	108,000 *	55.3	143.9	128,600 *										70
75	24.4	117.9	77,200 *	36.3	129.9	88,300 *	42.0	134.6	96,700 *	50.1	140.0	113,200 *	57.1	142.9	129,700							75
80	9.3	100.1	65,200 *	28.5	121.7	80,300 *	35.3	128.1	87,400 *	44.4	135.2	100,900 *	52.0	139.2	118,400 *							80
85				17.5	109.3	73,500 *	27.1	119.5	79,500 *	38.0	129.2	90,900 *	46.5	134.7	105,100 *							85
90							15.2	105.8	72,800 *	30.6	121.6	82,500 *	40.4	129.3	94,300 *	48.3	133.4	101,300				90
95										20.7	110.7	75,400 *	33.5	122.3	85,400 *	42.4	128.3	94,800				95
100													24.7	113.0	77,900 *	35.8	121.9	88,100 *	44.0	126.3	87,100	100
105													10.2	96.0	71,400 *	27.8	113.5	80,200 *	37.6	120.3	82,000	105
110																16.4	100.5	73,400 *	30.1	112.5	77,400	110
115																			20.0	101.3	73,200	115



# Liftcrane Luffing Jib Capacities

Luffing Jib No. 133 or No. 133A On  
 Boom No. 44 With Heavy Lift Top  
 248,700 Lb. Crane Counterweight  
 120,000 Lb. Carbody Counterweight  
 360 Degree Rating

Designed And Tested  
 With The Intent To Be In  
 The Scope of ANSI B30.5

## M-250 SERIES 3

### 80 Ft. Boom, 80 Ft. Jib

Jib Oper. Rad. Feet	88 Degree Boom Angle			83 Degree Boom Angle			80 Degree Boom Angle			75 Degree Boom Angle			70 Degree Boom Angle			65 Degree Boom Angle			60 Degree Boom Angle			Jib Oper. Rad. Feet
	Jib Ang. Deg.	Jib Point Elev. Feet	Luffing Jib Capacity Pounds	Jib Ang. Deg.	Jib Point Elev. Feet	Luffing Jib Capacity Pounds	Jib Ang. Deg.	Jib Point Elev. Feet	Luffing Jib Capacity Pounds	Jib Ang. Deg.	Jib Point Elev. Feet	Luffing Jib Capacity Pounds	Jib Ang. Deg.	Jib Point Elev. Feet	Luffing Jib Capacity Pounds	Jib Ang. Deg.	Jib Point Elev. Feet	Luffing Jib Capacity Pounds	Jib Ang. Deg.	Jib Point Elev. Feet	Luffing Jib Capacity Pounds	
36	72.5	166.1	177,500 *b																			36
38	71.0	165.4	170,100 *b																			38
40	69.4	164.6	163,200 *b																			40
45	65.5	162.4	148,000 *b																			45
50	61.5	159.9	134,700 *	67.2	162.7	153,800 *b																50
55	57.3	156.8	118,000 *	63.3	160.3	140,200 *b	66.6	161.7	151,400 *b													55
60	52.9	153.2	104,800 *	59.1	157.5	124,800 *	62.6	159.2	138,200 *b													60
65	48.2	148.9	94,000 *	54.8	154.1	110,200 *	58.5	156.3	122,700 *													65
70	43.1	143.9	85,100 *	50.2	150.2	98,400 *	54.1	152.9	108,500 *	60.2	155.9	129,400 *										70
75	37.4	137.8	77,600 *	45.3	145.5	88,700 *	49.5	148.8	97,100 *	55.9	152.6	113,800 *										75
80	30.9	130.2	71,200 *	40.0	139.9	80,700 *	44.6	144.0	87,700 *	51.4	148.8	101,400 *	57.5	151.6	119,100 *							80
85	22.7	119.8	65,600 *	33.9	133.0	73,800 *	39.1	138.2	79,800 *	46.6	144.3	91,300 *	53.1	148.0	105,600 *							85
90	8.6	100.8	56,200 *	26.5	124.1	67,900 *	32.9	131.1	73,100 *	41.3	139.0	82,800 *	48.4	143.8	94,800 *							90
95				16.3	110.7	62,800 *	25.3	121.7	67,300 *	35.4	132.4	75,700 *	43.3	138.8	85,800 *	49.9	142.3	94,300				95
100							14.1	107.0	62,300 *	28.5	124.1	69,600 *	37.7	132.7	78,200 *	44.9	137.6	88,500 *				100
105										19.3	112.3	64,200 *	31.2	125.1	71,700 *	39.5	131.9	80,500 *	46.3	135.5	81,500	105
110													23.1	115.0	66,100 *	33.4	124.9	73,700 *	41.0	130.1	76,900	110
115													9.5	96.8	61,200 *	25.9	115.8	67,800 *	35.1	123.5	72,800	115
120																15.2	101.7	62,700 *	28.0	115.0	69,000	120





# Liftcrane Luffing Jib Capacities

# M-250 SERIES 3

Luffing Jib No. 133 or No. 133A On  
 Boom No. 44 With Heavy Lift Top  
 248,700 Lb. Crane Counterweight  
 120,000 Lb. Carbody Counterweight  
 360 Degree Rating

Designed And Tested  
 With The Intent To Be In  
 The Scope of ANSI B30.5

## 80 Ft. Boom, 90 Ft. Jib

Jib Oper. Rad. Feet	88 Degree Boom Angle			83 Degree Boom Angle			80 Degree Boom Angle			75 Degree Boom Angle			70 Degree Boom Angle			65 Degree Boom Angle			60 Degree Boom Angle			Jib Oper. Rad. Feet
	Jib Ang. Deg.	Jib Point Elev. Feet	Luffing Jib Capacity Pounds	Jib Ang. Deg.	Jib Point Elev. Feet	Luffing Jib Capacity Pounds	Jib Ang. Deg.	Jib Point Elev. Feet	Luffing Jib Capacity Pounds	Jib Ang. Deg.	Jib Point Elev. Feet	Luffing Jib Capacity Pounds	Jib Ang. Deg.	Jib Point Elev. Feet	Luffing Jib Capacity Pounds	Jib Ang. Deg.	Jib Point Elev. Feet	Luffing Jib Capacity Pounds	Jib Ang. Deg.	Jib Point Elev. Feet	Luffing Jib Capacity Pounds	
36	74.5	176.5	173,000 *b																			36
38	73.2	175.9	166,200 *b																			38
40	71.8	175.3	159,600 *b																			40
45	68.4	173.4	145,000 *b																			45
50	64.9	171.1	132,600 *	69.9	173.5	150,800 *b																50
55	61.3	168.5	118,500 *	66.4	171.5	137,800 *b																55
60	57.6	165.5	105,200 *	62.9	169.0	125,300 *	65.9	170.4	135,900 *													60
65	53.7	161.9	94,300 *	59.2	166.1	110,600 *	62.4	167.9	123,200 *													65
70	49.6	157.9	85,300 *	55.4	162.8	98,800 *	58.7	165.0	108,900 *													70
75	45.2	153.1	77,800 *	51.4	159.0	89,000 *	54.8	161.6	97,400 *	60.1	164.5	114,300 *										75
80	40.5	147.6	71,300 *	47.2	154.6	80,900 *	50.8	157.7	88,000 *	56.4	161.3	101,800 *										80
85	35.2	141.0	65,800 *	42.6	149.4	74,000 *	46.5	153.2	80,000 *	52.4	157.6	91,500 *	57.8	160.3	106,000 *							85
90	29.1	132.7	60,900 *	37.5	143.3	68,100 *	41.8	147.9	73,300 *	48.2	153.4	83,000 *	53.9	156.8	95,100 *							90
95	21.3	121.7	56,600 *	31.8	135.8	62,900 *	36.7	141.6	67,500 *	43.7	148.4	75,900 *	49.8	152.7	86,000 *							95
100	8.0	101.5	48,900 *	24.9	126.3	58,400 *	30.9	133.9	62,400 *	38.8	142.5	69,700 *	45.4	148.0	78,400 *	51.1	151.2	88,100				100
105				15.3	112.0	54,400 *	23.7	123.8	58,000 *	33.3	135.5	64,400 *	40.7	142.5	71,900 *	46.8	146.7	80,700 *				105
110							13.2	108.1	54,000 *	26.8	126.5	59,700 *	35.4	135.9	66,200 *	42.2	141.5	73,800 *	48.0	144.6	76,500	110
115										18.2	113.9	55,500 *	29.3	127.8	61,300 *	37.1	135.3	68,000 *	43.5	139.5	72,400	115
120													21.7	116.9	57,000 *	31.4	127.7	62,900 *	38.5	133.6	68,700	120
130																14.3	103.0	54,400 *	26.4	117.4	59,500 *	130



# Liftcrane Luffing Jib Capacities

Luffing Jib No. 133 or No. 133A On  
 Boom No. 44 With Heavy Lift Top  
 248,700 Lb. Crane Counterweight  
 120,000 Lb. Carbody Counterweight  
 360 Degree Rating

Designed And Tested  
 With The Intent To Be In  
 The Scope of ANSI B30.5

## M-250 SERIES 3

### 80 Ft. Boom, 100 Ft. Jib

Jib Oper. Rad. Feet	88 Degree Boom Angle			83 Degree Boom Angle			80 Degree Boom Angle			75 Degree Boom Angle			70 Degree Boom Angle			65 Degree Boom Angle			60 Degree Boom Angle			Jib Oper. Rad. Feet
	Jib Ang. Deg.	Jib Point Elev. Feet	Luffing Jib Capacity Pounds	Jib Ang. Deg.	Jib Point Elev. Feet	Luffing Jib Capacity Pounds	Jib Ang. Deg.	Jib Point Elev. Feet	Luffing Jib Capacity Pounds	Jib Ang. Deg.	Jib Point Elev. Feet	Luffing Jib Capacity Pounds	Jib Ang. Deg.	Jib Point Elev. Feet	Luffing Jib Capacity Pounds	Jib Ang. Deg.	Jib Point Elev. Feet	Luffing Jib Capacity Pounds	Jib Ang. Deg.	Jib Point Elev. Feet	Luffing Jib Capacity Pounds	
38	74.9	186.4	157,100 *b																			38
40	73.7	185.8	153,700 *b																			40
45	70.7	184.1	141,900 *b																			45
50	67.6	182.1	130,000 *																			50
55	64.4	179.8	118,700 *	68.9	182.3	135,100 *																55
60	61.2	177.2	105,200 *	65.8	180.2	124,300 *																60
65	57.9	174.1	94,300 *	62.6	177.7	110,700 *	65.3	179.1	122,900 *													65
70	54.4	170.7	85,300 *	59.3	174.8	98,800 *	62.1	176.6	109,000 *													70
75	50.7	166.8	77,700 *	55.9	171.5	89,000 *	58.8	173.6	97,400 *													75
80	46.9	162.3	71,200 *	52.3	167.8	80,800 *	55.4	170.3	87,900 *	60.1	173.2	101,800 *										80
85	42.8	157.1	65,600 *	48.6	163.6	73,900 *	51.8	166.5	79,900 *	56.7	170.0	91,500 *										85
90	38.3	151.1	60,700 *	44.6	158.7	68,000 *	48.0	162.2	73,100 *	53.2	166.4	83,000 *	58.0	168.9	95,000 *							90
95	33.3	144.0	56,400 *	40.3	153.1	62,800 *	43.9	157.2	67,300 *	49.5	162.3	75,700 *	54.5	165.5	85,900 *							95
100	27.5	135.2	52,600 *	35.5	146.5	58,200 *	39.6	151.5	62,200 *	45.6	157.6	69,600 *	50.9	161.6	78,300 *							100
105	20.2	123.5	49,200 *	30.1	138.5	54,200 *	34.7	144.7	57,800 *	41.3	152.2	64,200 *	47.0	157.1	71,700 *	52.0	160.0	80,600 *				105
110	7.6	102.1	42,800 *	23.6	128.3	50,700 *	29.2	136.5	53,800 *	36.7	145.9	59,500 *	42.9	152.0	66,100 *	48.3	155.7	73,700 *				110
115				14.5	113.2	47,400 *	22.5	125.8	50,300 *	31.5	138.3	55,400 *	38.5	146.0	61,200 *	44.3	150.8	67,800 *				115
120							12.5	109.2	47,100 *	25.3	128.8	51,700 *	33.5	138.9	56,800 *	39.9	145.2	62,700 *	45.3	148.8	68,200	120
130													20.5	118.7	49,600 *	29.7	130.4	54,200 *	36.4	136.9	59,300 *	130
140																13.5	104.1	47,400 *	24.9	119.6	51,600 *	140



# Liftcrane Luffing Jib Capacities

# M-250 SERIES 3

Luffing Jib No. 133 or No. 133A On  
 Boom No. 44 With Heavy Lift Top  
 248,700 Lb. Crane Counterweight  
 120,000 Lb. Carbody Counterweight  
 360 Degree Rating

Designed And Tested  
 With The Intent To Be In  
 The Scope of ANSI B30.5

## 80 Ft. Boom, 110 Ft. Jib

Jib Oper. Rad. Feet	88 Degree Boom Angle			83 Degree Boom Angle			80 Degree Boom Angle			75 Degree Boom Angle			70 Degree Boom Angle			65 Degree Boom Angle			60 Degree Boom Angle			Jib Oper. Rad. Feet
	Jib Ang. Deg.	Jib Point Elev. Feet	Luffing Jib Capacity Pounds	Jib Ang. Deg.	Jib Point Elev. Feet	Luffing Jib Capacity Pounds	Jib Ang. Deg.	Jib Point Elev. Feet	Luffing Jib Capacity Pounds	Jib Ang. Deg.	Jib Point Elev. Feet	Luffing Jib Capacity Pounds	Jib Ang. Deg.	Jib Point Elev. Feet	Luffing Jib Capacity Pounds	Jib Ang. Deg.	Jib Point Elev. Feet	Luffing Jib Capacity Pounds	Jib Ang. Deg.	Jib Point Elev. Feet	Luffing Jib Capacity Pounds	
40	75.2	196.2	145,700 *b																			40
45	72.5	194.7	138,300 *b																			45
50	69.7	192.9	127,100 *																			50
55	66.9	190.9	117,300 *	70.9	193.0	132,000 *																55
60	64.0	188.5	108,300 *	68.1	191.1	121,800 *																60
65	61.1	185.8	97,000 *	65.3	188.9	112,800 *	67.7	190.1	120,400 *													65
70	58.1	182.8	87,600 *	62.4	186.3	101,600 *	64.9	187.8	111,700 *													70
75	54.9	179.4	79,800 *	59.4	183.5	91,500 *	61.9	185.2	100,100 *													75
80	51.6	175.6	73,100 *	56.3	180.2	83,000 *	58.9	182.3	90,300 *													80
85	48.2	171.3	67,300 *	53.1	176.6	75,900 *	55.8	179.0	82,000 *	60.1	181.8	94,000 *										85
90	44.5	166.4	62,300 *	49.7	172.5	69,700 *	52.6	175.3	75,000 *	57.0	178.7	85,200 *										90
95	40.7	160.8	57,900 *	46.1	167.9	64,400 *	49.2	171.2	69,000 *	53.9	175.2	77,700 *										95
100	36.4	154.4	54,000 *	42.4	162.6	59,700 *	45.6	166.4	63,800 *	50.5	171.2	71,300 *	55.0	174.2	80,300 *							100
105	31.7	146.8	50,500 *	38.3	156.6	55,600 *	41.8	161.1	59,200 *	47.0	166.7	65,800 *	51.7	170.4	73,600 *							105
110	26.2	137.5	47,300 *	33.8	149.6	51,900 *	37.6	154.9	55,100 *	43.3	161.6	61,000 *	48.3	166.1	67,700 *	52.8	168.8	75,600 *				110
115	19.2	125.1	44,400 *	28.6	141.1	48,600 *	33.1	147.7	51,500 *	39.3	155.8	56,700 *	44.7	161.3	62,700 *	49.4	164.7	69,500 *				115
120	7.2	102.6	35,800 *	22.5	130.3	45,700 *	27.8	138.9	48,300 *	34.9	149.0	52,900 *	40.8	155.7	58,200 *	45.9	160.0	64,200 *				120
130							11.9	110.2	42,700 *	24.1	130.9	46,500 *	31.9	141.8	50,800 *	38.0	148.6	55,500 *	43.1	152.8	60,800 *	130
140													19.5	120.4	44,700 *	28.2	132.9	48,600 *	34.7	140.1	52,800 *	140
150																12.9	105.2	42,900 *	23.7	121.7	46,400 *	150



# Liftcrane Luffing Jib Capacities

Luffing Jib No. 133 or No. 133A On  
 Boom No. 44 With Heavy Lift Top  
 248,700 Lb. Crane Counterweight  
 120,000 Lb. Carbody Counterweight  
 360 Degree Rating

Designed And Tested  
 With The Intent To Be In  
 The Scope of ANSI B30.5

## M-250 SERIES 3

### 80 Ft. Boom, 120 Ft. Jib

Jib Oper. Rad. Feet	88 Degree Boom Angle			83 Degree Boom Angle			80 Degree Boom Angle			75 Degree Boom Angle			70 Degree Boom Angle			65 Degree Boom Angle			60 Degree Boom Angle			Jib Oper. Rad. Feet
	Jib Ang. Deg.	Jib Point Elev. Feet	Luffing Jib Capacity Pounds	Jib Ang. Deg.	Jib Point Elev. Feet	Luffing Jib Capacity Pounds	Jib Ang. Deg.	Jib Point Elev. Feet	Luffing Jib Capacity Pounds	Jib Ang. Deg.	Jib Point Elev. Feet	Luffing Jib Capacity Pounds	Jib Ang. Deg.	Jib Point Elev. Feet	Luffing Jib Capacity Pounds	Jib Ang. Deg.	Jib Point Elev. Feet	Luffing Jib Capacity Pounds	Jib Ang. Deg.	Jib Point Elev. Feet	Luffing Jib Capacity Pounds	
45	74.0	205.2	130,000 *																			45
50	71.5	203.5	124,200 *																			50
55	69.0	201.7	114,900 *																			55
60	66.4	199.6	106,600 *	70.1	201.8	119,300 *																60
65	63.7	197.2	96,700 *	67.5	199.8	110,700 *																65
70	61.0	194.5	87,300 *	64.9	197.6	101,300 *	67.1	198.8	109,700 *													70
75	58.2	191.5	79,400 *	62.2	195.0	91,200 *	64.5	196.5	99,800 *													75
80	55.3	188.1	72,700 *	59.4	192.1	82,700 *	61.8	193.9	89,900 *													80
85	52.4	184.4	66,900 *	56.6	188.9	75,500 *	59.0	191.0	81,700 *	62.8	193.3	93,700 *										85
90	49.3	180.2	61,900 *	53.7	185.4	69,400 *	56.2	187.7	74,700 *	60.1	190.5	84,800 *										90
95	46.0	175.6	57,500 *	50.6	181.4	64,000 *	53.2	184.1	68,600 *	57.3	187.4	77,300 *										95
100	42.5	170.3	53,500 *	47.4	177.0	59,300 *	50.1	180.1	63,400 *	54.4	183.9	71,000 *										100
105	38.8	164.4	50,000 *	44.0	172.0	55,200 *	46.9	175.5	58,800 *	51.4	180.0	65,400 *	55.5	182.9	73,200 *							105
110	34.8	157.6	46,900 *	40.5	166.4	51,500 *	43.5	170.5	54,700 *	48.2	175.7	60,600 *	52.5	179.2	67,400 *							110
115	30.3	149.5	44,000 *	36.6	159.9	48,200 *	39.9	164.7	51,100 *	44.9	170.9	56,300 *	49.4	175.1	62,300 *							115
120	25.0	139.7	41,500 *	32.3	152.5	45,300 *	35.9	158.2	47,900 *	41.4	165.4	52,500 *	46.1	170.4	57,800 *	50.4	173.6	63,800 *				120
130	6.9	103.2	31,600 *	21.5	132.2	40,100 *	26.6	141.3	42,300 *	33.4	152.0	46,100 *	39.0	159.3	50,300 *	43.8	164.1	55,100 *	48.0	166.9	60,400 *	130
140							11.4	111.1	37,600 *	23.1	132.9	40,800 *	30.4	144.5	44,300 *	36.3	151.9	48,200 *	41.1	156.5	52,400 *	140
150													18.6	122.0	39,300 *	27.0	135.3	42,500 *	33.1	143.0	46,000 *	150
160																12.3	106.2	37,800 *	22.7	123.6	40,700 *	160



# Liftcrane Luffing Jib Capacities

# M-250 SERIES 3

Luffing Jib No. 133 or No. 133A On  
 Boom No. 44 With Heavy Lift Top  
 248,700 Lb. Crane Counterweight  
 120,000 Lb. Carbody Counterweight  
 360 Degree Rating

Designed And Tested  
 With The Intent To Be In  
 The Scope of ANSI B30.5

## 80 Ft. Boom, 130 Ft. Jib

Jib Oper. Rad. Feet	88 Degree Boom Angle			83 Degree Boom Angle			80 Degree Boom Angle			75 Degree Boom Angle			70 Degree Boom Angle			65 Degree Boom Angle			60 Degree Boom Angle			Jib Oper. Rad. Feet
	Jib Ang. Deg.	Jib Point Elev. Feet	Luffing Jib Capacity Pounds	Jib Ang. Deg.	Jib Point Elev. Feet	Luffing Jib Capacity Pounds	Jib Ang. Deg.	Jib Point Elev. Feet	Luffing Jib Capacity Pounds	Jib Ang. Deg.	Jib Point Elev. Feet	Luffing Jib Capacity Pounds	Jib Ang. Deg.	Jib Point Elev. Feet	Luffing Jib Capacity Pounds	Jib Ang. Deg.	Jib Point Elev. Feet	Luffing Jib Capacity Pounds	Jib Ang. Deg.	Jib Point Elev. Feet	Luffing Jib Capacity Pounds	
45	75.3	215.6	122,000 *																			45
50	73.0	214.1	117,000 *																			50
55	70.6	212.4	112,200 *																			55
60	68.3	210.5	104,700 *																			60
65	65.9	208.3	96,600 *	69.3	210.6	108,600 *																65
70	63.4	205.9	87,200 *	66.9	208.6	101,300 *																70
75	60.9	203.2	79,400 *	64.5	206.2	91,100 *	66.6	207.5	99,700 *													75
80	58.4	200.2	72,600 *	62.0	203.7	82,600 *	64.1	205.2	89,900 *													80
85	55.7	196.8	66,800 *	59.5	200.8	75,400 *	61.6	202.5	81,600 *													85
90	53.0	193.2	61,800 *	56.9	197.6	69,300 *	59.1	199.6	74,600 *	62.6	202.0	84,700 *										90
95	50.1	189.1	57,300 *	54.2	194.1	63,900 *	56.5	196.4	68,500 *	60.1	199.2	77,300 *										95
100	47.2	184.6	53,400 *	51.4	190.2	59,200 *	53.8	192.9	63,300 *	57.5	196.1	70,800 *										100
105	44.1	179.7	49,900 *	48.5	185.9	55,100 *	50.9	188.9	58,700 *	54.8	192.6	65,300 *										105
110	40.8	174.1	46,700 *	45.4	181.2	51,400 *	48.0	184.6	54,600 *	52.1	188.9	60,400 *	55.8	191.6	67,200 *							110
115	37.2	167.8	43,900 *	42.2	175.9	48,100 *	45.0	179.7	51,000 *	49.2	184.7	56,200 *	53.1	188.0	62,200 *							115
120	33.4	160.6	41,300 *	38.8	169.9	45,100 *	41.7	174.3	47,700 *	46.2	180.0	52,400 *	50.3	184.0	57,700 *							120
130	24.0	141.8	36,800 *	31.0	155.2	40,000 *	34.5	161.3	42,100 *	39.6	169.1	45,900 *	44.2	174.5	50,200 *	48.2	178.1	55,000 *				130
140	6.6	103.7	28,100 *	20.6	134.0	35,700 *	25.5	143.5	37,500 *	32.0	154.9	40,700 *	37.4	162.7	44,200 *	42.0	167.9	48,000 *	46.0	171.2	52,200 *	140
150							10.9	112.1	33,500 *	22.1	134.8	36,200 *	29.2	147.1	39,200 *	34.8	155.1	42,400 *	39.4	160.2	45,800 *	150
160													17.9	123.5	35,000 *	25.9	137.6	37,700 *	31.8	145.9	40,600 *	160
170																11.8	107.2	33,700 *	21.8	125.6	36,200 *	170



# Liftcrane Luffing Jib Capacities

Luffing Jib No. 133 or No. 133A On  
 Boom No. 44 With Heavy Lift Top  
 248,700 Lb. Crane Counterweight  
 120,000 Lb. Carbody Counterweight  
 360 Degree Rating

Designed And Tested  
 With The Intent To Be In  
 The Scope of ANSI B30.5

## M-250 SERIES 3

### 80 Ft. Boom, 140 Ft. Jib

Jib Oper. Rad. Feet	88 Degree Boom Angle			83 Degree Boom Angle			80 Degree Boom Angle			75 Degree Boom Angle			70 Degree Boom Angle			65 Degree Boom Angle			60 Degree Boom Angle			Jib Oper. Rad. Feet
	Jib Ang. Deg.	Jib Point Elev. Feet	Luffing Jib Capacity Pounds	Jib Ang. Deg.	Jib Point Elev. Feet	Luffing Jib Capacity Pounds	Jib Ang. Deg.	Jib Point Elev. Feet	Luffing Jib Capacity Pounds	Jib Ang. Deg.	Jib Point Elev. Feet	Luffing Jib Capacity Pounds	Jib Ang. Deg.	Jib Point Elev. Feet	Luffing Jib Capacity Pounds	Jib Ang. Deg.	Jib Point Elev. Feet	Luffing Jib Capacity Pounds	Jib Ang. Deg.	Jib Point Elev. Feet	Luffing Jib Capacity Pounds	
50	74.2	224.5	108,600 *																			50
55	72.1	223.0	104,300 *																			55
60	69.9	221.2	100,200 *																			60
65	67.7	219.2	95,400 *	70.8	221.3	103,000 *																65
70	65.5	217.0	87,500 *	68.7	219.4	98,900 *																70
75	63.2	214.5	79,500 *	66.4	217.3	91,400 *																75
80	60.9	211.8	72,700 *	64.2	214.9	82,800 *	66.1	216.2	90,200 *													80
85	58.5	208.8	66,800 *	61.9	212.3	75,500 *	63.8	213.9	81,800 *													85
90	56.0	205.5	61,700 *	59.5	209.5	69,300 *	61.5	211.2	74,600 *													90
95	53.5	201.9	57,200 *	57.1	206.3	63,800 *	59.1	208.3	68,500 *	62.4	210.6	77,400 *										95
100	50.9	198.0	53,200 *	54.6	202.8	59,100 *	56.7	205.1	63,200 *	60.1	207.8	70,900 *										100
105	48.2	193.6	49,700 *	52.0	199.1	54,900 *	54.2	201.6	58,500 *	57.7	204.7	65,200 *										105
110	45.4	188.9	46,500 *	49.4	194.9	51,200 *	51.6	197.7	54,400 *	55.2	201.4	60,300 *										110
115	42.4	183.6	43,600 *	46.6	190.3	47,800 *	49.0	193.5	50,700 *	52.7	197.6	56,000 *	56.1	200.3	62,100 *							115
120	39.2	177.7	41,000 *	43.7	185.2	44,800 *	46.2	188.9	47,500 *	50.0	193.6	52,200 *	53.6	196.8	57,500 *							120
130	32.1	163.4	36,500 *	37.3	173.3	39,700 *	40.1	178.0	41,800 *	44.4	184.1	45,700 *	48.3	188.5	50,000 *	51.8	191.3	54,800 *				130
140	23.1	143.9	32,600 *	29.8	157.9	35,300 *	33.2	164.3	37,100 *	38.1	172.5	40,300 *	42.5	178.4	43,900 *	46.4	182.4	47,800 *				140
150	6.3	104.2	25,000 *	19.8	135.7	31,600 *	24.5	145.7	33,200 *	30.8	157.7	35,900 *	35.9	166.0	38,900 *	40.3	171.6	42,100 *	44.2	175.3	45,600 *	150
160							10.5	112.9	29,800 *	21.3	136.7	32,100 *	28.1	149.6	34,700 *	33.4	158.1	37,400 *	37.9	163.6	40,300 *	160
170													17.2	125.0	31,100 *	24.9	139.8	33,400 *	30.6	148.6	35,900 *	170
180																11.3	108.2	29,900 *	20.9	127.4	32,100 *	180



# Liftcrane Luffing Jib Capacities

# M-250 SERIES 3

Luffing Jib No. 133 or No. 133A On  
 Boom No. 44 With Heavy Lift Top  
 248,700 Lb. Crane Counterweight  
 120,000 Lb. Carbody Counterweight  
 360 Degree Rating

Designed And Tested  
 With The Intent To Be In  
 The Scope of ANSI B30.5

## 80 Ft. Boom, 150 Ft. Jib

Jib Oper. Rad. Feet	88 Degree Boom Angle			83 Degree Boom Angle			80 Degree Boom Angle			75 Degree Boom Angle			70 Degree Boom Angle			65 Degree Boom Angle			60 Degree Boom Angle			Jib Oper. Rad. Feet
	Jib Ang. Deg.	Jib Point Elev. Feet	Luffing Jib Capacity Pounds	Jib Ang. Deg.	Jib Point Elev. Feet	Luffing Jib Capacity Pounds	Jib Ang. Deg.	Jib Point Elev. Feet	Luffing Jib Capacity Pounds	Jib Ang. Deg.	Jib Point Elev. Feet	Luffing Jib Capacity Pounds	Jib Ang. Deg.	Jib Point Elev. Feet	Luffing Jib Capacity Pounds	Jib Ang. Deg.	Jib Point Elev. Feet	Luffing Jib Capacity Pounds	Jib Ang. Deg.	Jib Point Elev. Feet	Luffing Jib Capacity Pounds	
50	75.3	234.9	103,900 *																			50
55	73.3	233.5	100,300 *																			55
60	71.3	231.8	96,600 *																			60
65	69.3	230.0	93,200 *																			65
70	67.2	227.9	87,700 *	70.1	230.1	95,600 *																70
75	65.1	225.7	80,300 *	68.1	228.2	90,900 *																75
80	63.0	223.2	73,400 *	66.0	226.0	83,700 *	67.8	227.2	90,200 *													80
85	60.8	220.5	67,400 *	63.9	223.6	76,300 *	65.7	225.0	82,600 *													85
90	58.6	217.5	62,200 *	61.7	221.0	69,900 *	63.6	222.5	75,300 *													90
95	56.3	214.2	57,700 *	59.5	218.1	64,400 *	61.4	219.9	69,100 *													95
100	54.0	210.7	53,700 *	57.3	215.0	59,600 *	59.2	217.0	63,700 *	62.3	219.3	71,500 *										100
105	51.5	206.8	50,100 *	55.0	211.6	55,400 *	56.9	213.8	58,900 *	60.1	216.5	65,800 *										105
110	49.0	202.6	46,800 *	52.6	207.8	51,600 *	54.6	210.3	54,700 *	57.8	213.4	60,800 *										110
115	46.4	198.0	43,900 *	50.1	203.8	48,200 *	52.2	206.5	51,000 *	55.5	210.1	56,300 *										115
120	43.7	192.9	41,200 *	47.6	199.3	45,100 *	49.8	202.4	47,600 *	53.2	206.4	52,400 *	56.4	209.0	57,900 *							120
130	37.8	181.1	36,500 *	42.1	189.1	39,800 *	44.5	193.0	41,900 *	48.2	198.1	45,800 *	51.6	201.6	50,100 *							130
140	31.0	166.2	32,500 *	36.0	176.5	35,300 *	38.7	181.5	37,100 *	42.8	188.1	40,300 *	46.5	192.8	43,900 *	49.9	196.0	47,800 *				140
150	22.3	145.8	29,100 *	28.7	160.5	31,500 *	32.0	167.1	33,000 *	36.8	175.9	35,800 *	41.0	182.2	38,800 *	44.7	186.6	42,000 *				150
160	6.1	104.7	20,900 *	19.1	137.4	28,200 *	23.7	147.8	29,500 *	29.7	160.3	31,900 *	34.7	169.1	34,500 *	38.9	175.2	37,200 *	42.6	179.2	40,100 *	160
170							10.1	113.8	26,100 *	20.5	138.5	28,500 *	27.1	152.0	30,800 *	32.3	161.0	33,100 *	36.6	166.9	35,600 *	170
180													16.6	126.5	27,500 *	24.0	141.9	29,600 *	29.5	151.3	31,700 *	180
190																10.9	109.1	26,400 *	20.2	129.1	28,400 *	190



# Liftcrane Luffing Jib Capacities

Luffing Jib No. 133 or No. 133A On  
 Boom No. 44 With Heavy Lift Top  
 248,700 Lb. Crane Counterweight  
 120,000 Lb. Carbody Counterweight  
 360 Degree Rating

Designed And Tested  
 With The Intent To Be In  
 The Scope of ANSI B30.5

## M-250 SERIES 3

### 80 Ft. Boom, 160 Ft. Jib

Jib Oper. Rad. Feet	88 Degree Boom Angle			83 Degree Boom Angle			80 Degree Boom Angle			75 Degree Boom Angle			70 Degree Boom Angle			65 Degree Boom Angle			60 Degree Boom Angle			Jib Oper. Rad. Feet
	Jib Ang. Deg.	Jib Point Elev. Feet	Luffing Jib Capacity Pounds	Jib Ang. Deg.	Jib Point Elev. Feet	Luffing Jib Capacity Pounds	Jib Ang. Deg.	Jib Point Elev. Feet	Luffing Jib Capacity Pounds	Jib Ang. Deg.	Jib Point Elev. Feet	Luffing Jib Capacity Pounds	Jib Ang. Deg.	Jib Point Elev. Feet	Luffing Jib Capacity Pounds	Jib Ang. Deg.	Jib Point Elev. Feet	Luffing Jib Capacity Pounds	Jib Ang. Deg.	Jib Point Elev. Feet	Luffing Jib Capacity Pounds	
55	74.4	243.9	94,100 *																			55
60	72.5	242.4	90,900 *																			60
65	70.6	240.7	87,700 *																			65
70	68.7	238.8	84,700 *																			70
75	66.8	236.7	79,800 *	69.5	238.9	86,800 *																75
80	64.8	234.4	72,900 *	67.6	236.9	83,200 *																80
85	62.8	231.9	66,900 *	65.6	234.7	75,800 *	67.3	235.9	82,100 *													85
90	60.8	229.1	61,700 *	63.7	232.3	69,400 *	65.4	233.7	74,800 *													90
95	58.7	226.2	57,200 *	61.6	229.7	63,900 *	63.4	231.2	68,600 *													95
100	56.5	222.9	53,100 *	59.6	226.8	59,100 *	61.3	228.5	63,200 *													100
105	54.4	219.4	49,500 *	57.5	223.7	54,800 *	59.3	225.6	58,500 *	62.1	228.0	65,300 *										105
110	52.1	215.6	46,300 *	55.3	220.3	51,100 *	57.1	222.5	54,300 *	60.1	225.1	60,300 *										110
115	49.8	211.5	43,400 *	53.1	216.6	47,700 *	55.0	219.0	50,500 *	58.0	222.1	55,900 *										115
120	47.4	207.0	40,800 *	50.8	212.6	44,600 *	52.7	215.3	47,200 *	55.8	218.8	52,000 *										120
130	42.3	196.8	36,100 *	46.0	203.6	39,400 *	48.1	206.9	41,400 *	51.4	211.3	45,300 *	54.4	214.2	49,700 *							130
140	36.6	184.4	32,100 *	40.7	192.8	34,900 *	43.0	196.9	36,600 *	46.6	202.4	39,900 *	49.9	206.3	43,400 *	52.9	208.8	47,400 *				140
150	29.9	168.9	28,700 *	34.8	179.7	31,100 *	37.4	184.9	32,600 *	41.4	191.9	35,300 *	45.0	197.0	38,300 *	48.2	200.5	41,600 *				150
160	21.5	147.7	25,700 *	27.8	162.9	27,800 *	30.9	169.9	29,100 *	35.6	179.1	31,500 *	39.6	185.8	34,000 *	43.2	190.6	36,700 *	46.4	193.6	39,700 *	160
170	5.9	105.2	18,300 *	18.5	139.0	24,900 *	22.9	149.8	26,000 *	28.7	162.9	28,100 *	33.5	172.1	30,300 *	37.6	178.6	32,700 *	41.2	183.0	35,100 *	170
180							9.8	114.6	23,100 *	19.9	140.2	25,200 *	26.2	154.4	27,100 *	31.2	163.8	29,200 *	35.4	170.1	31,300 *	180
190													16.1	127.8	24,300 *	23.2	143.9	26,100 *	28.5	153.8	28,000 *	190
200																10.6	110.0	23,400 *	19.5	130.9	25,100 *	200





# Liftcrane Luffing Jib Capacities

# M-250 SERIES 3

Luffing Jib No. 133 or No. 133A On  
 Boom No. 44 With Heavy Lift Top  
 248,700 Lb. Crane Counterweight  
 120,000 Lb. Carbody Counterweight  
 360 Degree Rating

Designed And Tested  
 With The Intent To Be In  
 The Scope of ANSI B30.5

## 80 Ft. Boom, 170 Ft. Jib

Jib Oper. Rad. Feet	88 Degree Boom Angle			83 Degree Boom Angle			80 Degree Boom Angle			75 Degree Boom Angle			70 Degree Boom Angle			65 Degree Boom Angle			60 Degree Boom Angle			Jib Oper. Rad. Feet
	Jib Ang. Deg.	Jib Point Elev. Feet	Luffing Jib Capacity Pounds	Jib Ang. Deg.	Jib Point Elev. Feet	Luffing Jib Capacity Pounds	Jib Ang. Deg.	Jib Point Elev. Feet	Luffing Jib Capacity Pounds	Jib Ang. Deg.	Jib Point Elev. Feet	Luffing Jib Capacity Pounds	Jib Ang. Deg.	Jib Point Elev. Feet	Luffing Jib Capacity Pounds	Jib Ang. Deg.	Jib Point Elev. Feet	Luffing Jib Capacity Pounds	Jib Ang. Deg.	Jib Point Elev. Feet	Luffing Jib Capacity Pounds	
55	75.3	254.3	87,400 *																			55
60	73.6	252.9	84,500 *																			60
65	71.8	251.3	81,600 *																			65
70	70.0	249.5	78,800 *																			70
75	68.2	247.5	76,200 *	70.8	249.6	80,600 *																75
80	66.4	245.4	73,100 *	69.0	247.7	78,000 *																80
85	64.5	243.1	67,300 *	67.2	245.7	75,000 *																85
90	62.6	240.5	62,000 *	65.3	243.4	69,800 *	66.9	244.6	74,400 *													90
95	60.7	237.8	57,400 *	63.4	241.0	64,200 *	65.0	242.4	69,000 *													95
100	58.7	234.8	53,300 *	61.5	238.3	59,300 *	63.2	239.9	63,500 *													100
105	56.7	231.6	49,600 *	59.6	235.4	55,000 *	61.2	237.2	58,600 *													105
110	54.7	228.1	46,400 *	57.6	232.3	51,200 *	59.3	234.3	54,400 *	62.0	236.6	60,500 *										110
115	52.6	224.4	43,400 *	55.6	229.0	47,700 *	57.3	231.1	50,600 *	60.1	233.8	56,000 *										115
120	50.4	220.4	40,700 *	53.5	225.4	44,600 *	55.3	227.8	47,200 *	58.1	230.8	52,000 *										120
130	45.9	211.3	36,000 *	49.2	217.2	39,300 *	51.0	220.1	41,300 *	54.0	223.9	45,300 *	56.8	226.4	49,700 *							130
140	40.9	200.5	32,000 *	44.5	207.7	34,800 *	46.5	211.2	36,500 *	49.7	215.9	39,800 *	52.7	219.2	43,400 *							140
150	35.4	187.6	28,600 *	39.4	196.4	31,000 *	41.6	200.8	32,400 *	45.1	206.6	35,200 *	48.3	210.9	38,200 *	51.2	213.7	41,500 *				150
160	29.0	171.5	25,600 *	33.7	182.7	27,700 *	36.2	188.2	29,000 *	40.1	195.6	31,300 *	43.5	201.0	33,900 *	46.7	204.8	36,700 *				160
170	20.9	149.5	23,000 *	26.9	165.3	24,800 *	30.0	172.6	25,900 *	34.4	182.2	28,000 *	38.4	189.3	30,200 *	41.8	194.4	32,600 *	45.0	197.8	35,000 *	170
180	5.7	105.7	16,200 *	17.9	140.5	22,300 *	22.2	151.8	23,300 *	27.8	165.4	25,100 *	32.5	175.0	27,000 *	36.4	181.9	29,100 *	39.9	186.7	31,200 *	180
190							9.5	115.4	20,700 *	19.2	141.9	22,500 *	25.4	156.6	24,200 *	30.2	166.5	26,000 *	34.3	173.2	27,900 *	190
200													15.6	129.2	21,700 *	22.5	145.9	23,300 *	27.6	156.2	25,000 *	200
210																10.2	110.9	20,900 *	18.9	132.5	22,400 *	210



# Liftcrane Luffing Jib Capacities

Luffing Jib No. 133 or No. 133A On  
 Boom No. 44 With Heavy Lift Top  
 248,700 Lb. Crane Counterweight  
 120,000 Lb. Carbody Counterweight  
 360 Degree Rating

Designed And Tested  
 With The Intent To Be In  
 The Scope of ANSI B30.5

## M-250 SERIES 3

### 80 Ft. Boom, 180 Ft. Jib

Jib Oper. Rad. Feet	88 Degree Boom Angle			83 Degree Boom Angle			80 Degree Boom Angle			75 Degree Boom Angle			70 Degree Boom Angle			65 Degree Boom Angle			60 Degree Boom Angle			Jib Oper. Rad. Feet
	Jib Ang. Deg.	Jib Point Elev. Feet	Luffing Jib Capacity Pounds	Jib Ang. Deg.	Jib Point Elev. Feet	Luffing Jib Capacity Pounds	Jib Ang. Deg.	Jib Point Elev. Feet	Luffing Jib Capacity Pounds	Jib Ang. Deg.	Jib Point Elev. Feet	Luffing Jib Capacity Pounds	Jib Ang. Deg.	Jib Point Elev. Feet	Luffing Jib Capacity Pounds	Jib Ang. Deg.	Jib Point Elev. Feet	Luffing Jib Capacity Pounds	Jib Ang. Deg.	Jib Point Elev. Feet	Luffing Jib Capacity Pounds	
60	74.5	263.3	79,400 *																			60
65	72.9	261.8	76,800 *																			65
70	71.2	260.1	74,300 *																			70
75	69.5	258.3	71,300 *																			75
80	67.8	256.3	68,200 *	70.2	258.4	73,100 *																80
85	66.0	254.1	65,200 *	68.5	256.5	70,000 *																85
90	64.3	251.8	61,500 *	66.8	254.4	67,000 *																90
95	62.5	249.2	56,900 *	65.0	252.1	63,700 *	66.5	253.4	66,400 *													95
100	60.7	246.5	52,700 *	63.3	249.6	58,800 *	64.8	251.0	63,000 *													100
105	58.8	243.5	49,100 *	61.5	247.0	54,500 *	63.0	248.5	58,200 *													105
110	56.9	240.3	45,800 *	59.6	244.1	50,600 *	61.2	245.9	53,900 *													110
115	55.0	236.9	42,900 *	57.7	241.0	47,200 *	59.3	242.9	50,100 *	61.9	245.3	55,500 *										115
120	53.0	233.2	40,200 *	55.8	237.7	44,100 *	57.5	239.8	46,700 *	60.1	242.5	51,600 *										120
130	48.9	225.0	35,500 *	51.9	230.3	38,800 *	53.6	232.9	40,900 *	56.3	236.2	44,800 *										130
140	44.5	215.4	31,500 *	47.7	221.7	34,300 *	49.5	224.8	36,000 *	52.4	228.9	39,300 *	55.1	231.7	42,900 *							140
150	39.7	204.2	28,100 *	43.2	211.7	30,500 *	45.1	215.4	32,000 *	48.2	220.4	34,700 *	51.1	224.0	37,800 *							150
160	34.4	190.7	25,200 *	38.3	199.9	27,200 *	40.4	204.5	28,500 *	43.7	210.6	30,900 *	46.8	215.2	33,400 *	49.6	218.3	36,200 *				160
170	28.2	174.0	22,600 *	32.7	185.7	24,400 *	35.2	191.4	25,500 *	38.9	199.1	27,500 *	42.2	204.9	29,700 *	45.3	209.0	32,100 *				170
180	20.3	151.3	20,200 *	26.1	167.6	21,900 *	29.1	175.2	22,800 *	33.4	185.2	24,700 *	37.2	192.7	26,600 *	40.6	198.1	28,600 *	43.6	201.8	30,700 *	180
190	5.5	106.1	14,100 *	17.4	142.1	19,600 *	21.5	153.7	20,500 *	27.0	167.8	22,100 *	31.5	177.8	23,800 *	35.4	185.1	25,600 *	38.7	190.2	27,400 *	190
200							9.2	116.2	18,200 *	18.7	143.6	19,800 *	24.7	158.8	21,300 *	29.3	169.1	22,900 *	33.3	176.2	24,500 *	200
210													15.1	130.5	19,100 *	21.9	147.8	20,500 *	26.8	158.6	22,000 *	210
220																9.9	111.7	18,400 *	18.4	134.1	19,700 *	220



# Liftcrane Luffing Jib Capacities

# M-250 SERIES 3

Luffing Jib No. 133 or No. 133A On  
 Boom No. 44 With Heavy Lift Top  
 248,700 Lb. Crane Counterweight  
 120,000 Lb. Carbody Counterweight  
 360 Degree Rating

Designed And Tested  
 With The Intent To Be In  
 The Scope of ANSI B30.5

## 80 Ft. Boom, 190 Ft. Jib

Jib Oper. Rad. Feet	88 Degree Boom Angle			83 Degree Boom Angle			80 Degree Boom Angle			75 Degree Boom Angle			70 Degree Boom Angle			65 Degree Boom Angle			60 Degree Boom Angle			Jib Oper. Rad. Feet	
	Jib Ang. Deg.	Jib Point Elev. Feet	Luffing Jib Capacity Pounds	Jib Ang. Deg.	Jib Point Elev. Feet	Luffing Jib Capacity Pounds	Jib Ang. Deg.	Jib Point Elev. Feet	Luffing Jib Capacity Pounds	Jib Ang. Deg.	Jib Point Elev. Feet	Luffing Jib Capacity Pounds	Jib Ang. Deg.	Jib Point Elev. Feet	Luffing Jib Capacity Pounds	Jib Ang. Deg.	Jib Point Elev. Feet	Luffing Jib Capacity Pounds	Jib Ang. Deg.	Jib Point Elev. Feet	Luffing Jib Capacity Pounds		
60	75.4	273.7	74,900 *																			60	
65	73.8	272.2	72,300 *																				65
70	72.2	270.7	69,600 *																				70
75	70.6	269.0	66,800 *																				75
80	69.0	267.1	63,900 *																				80
85	67.4	265.0	61,200 *	69.7	267.2	65,500 *																	85
90	65.7	262.8	58,300 *	68.1	265.3	62,700 *																	90
95	64.1	260.4	55,600 *	66.4	263.1	60,000 *	67.8	264.2	62,100 *														95
100	62.4	257.9	52,300 *	64.8	260.8	57,200 *	66.2	262.1	59,400 *														100
105	60.6	255.1	48,600 *	63.1	258.3	54,000 *	64.5	259.7	56,800 *														105
110	58.9	252.2	45,300 *	61.4	255.6	50,100 *	62.8	257.2	53,400 *														110
115	57.1	249.0	42,400 *	59.6	252.8	46,700 *	61.1	254.5	49,600 *														115
120	55.3	245.6	39,700 *	57.9	249.7	43,600 *	59.4	251.6	46,200 *	61.8	253.9	51,100 *											120
130	51.5	238.0	35,000 *	54.2	242.9	38,300 *	55.8	245.2	40,400 *	58.3	248.1	44,300 *											130
140	47.5	229.4	31,100 *	50.4	235.0	33,800 *	52.0	237.8	35,600 *	54.7	241.4	38,800 *	57.2	243.8	42,500 *								140
150	43.2	219.4	27,700 *	46.3	226.0	30,000 *	48.1	229.3	31,500 *	50.9	233.7	34,300 *	53.5	236.8	37,300 *								150
160	38.6	207.7	24,700 *	42.0	215.6	26,800 *	43.9	219.5	28,000 *	46.8	224.8	30,400 *	49.6	228.7	33,000 *	52.2	231.3	35,700 *					160
170	33.4	193.7	22,100 *	37.2	203.3	23,900 *	39.3	208.0	25,000 *	42.5	214.6	27,100 *	45.5	219.4	29,300 *	48.2	222.8	31,600 *					170
180	27.4	176.4	19,800 *	31.8	188.5	21,500 *	34.2	194.5	22,400 *	37.8	202.5	24,200 *	41.1	208.7	26,100 *	44.0	213.1	28,100 *	46.7	216.0	30,200 *		180
190	19.7	153.0	17,800 *	25.4	169.9	19,200 *	28.3	177.7	20,100 *	32.5	188.1	21,700 *	36.2	196.0	23,400 *	39.5	201.7	25,100 *	42.4	205.7	26,900 *		190
200	5.3	106.5	12,100 *	16.9	143.5	17,200 *	20.9	155.5	18,000 *	26.3	170.1	19,400 *	30.6	180.6	20,900 *	34.4	188.2	22,500 *	37.7	193.6	24,100 *		200
210							8.9	116.9	16,000 *	18.2	145.1	17,400 *	24.0	160.9	18,800 *	28.5	171.6	20,100 *	32.3	179.1	21,600 *		210
220													14.7	131.8	16,800 *	21.3	149.7	18,000 *	26.1	160.9	19,300 *		220
230																9.6	112.5	16,100 *	17.9	135.7	17,300 *		230



# Liftcrane Luffing Jib Capacities

Luffing Jib No. 133 or No. 133A On  
 Boom No. 44 With Heavy Lift Top  
 248,700 Lb. Crane Counterweight  
 120,000 Lb. Carbody Counterweight  
 360 Degree Rating

Designed And Tested  
 With The Intent To Be In  
 The Scope of ANSI B30.5

## M-250 SERIES 3

### 80 Ft. Boom, 200 Ft. Jib

Jib Oper. Rad. Feet	88 Degree Boom Angle			83 Degree Boom Angle			80 Degree Boom Angle			75 Degree Boom Angle			70 Degree Boom Angle			65 Degree Boom Angle			60 Degree Boom Angle			Jib Oper. Rad. Feet
	Jib Ang. Deg.	Jib Point Elev. Feet	Luffing Jib Capacity Pounds	Jib Ang. Deg.	Jib Point Elev. Feet	Luffing Jib Capacity Pounds	Jib Ang. Deg.	Jib Point Elev. Feet	Luffing Jib Capacity Pounds	Jib Ang. Deg.	Jib Point Elev. Feet	Luffing Jib Capacity Pounds	Jib Ang. Deg.	Jib Point Elev. Feet	Luffing Jib Capacity Pounds	Jib Ang. Deg.	Jib Point Elev. Feet	Luffing Jib Capacity Pounds	Jib Ang. Deg.	Jib Point Elev. Feet	Luffing Jib Capacity Pounds	
65	74.6	282.7	67,000 *																			65
70	73.1	281.2	64,800 *																			70
75	71.6	279.5	62,100 *																			75
80	70.1	277.8	59,400 *																			80
85	68.6	275.8	56,700 *	70.8	277.9	60,700 *																85
90	67.0	273.8	54,000 *	69.2	276.0	58,100 *																90
95	65.4	271.5	51,400 *	67.7	274.0	55,400 *																95
100	63.9	269.1	48,800 *	66.1	271.8	52,800 *	67.4	273.0	54,900 *													100
105	62.2	266.5	46,300 *	64.5	269.5	50,200 *	65.9	270.8	52,400 *													105
110	60.6	263.8	44,000 *	62.9	267.0	47,700 *	64.3	268.4	49,800 *													110
115	58.9	260.8	41,700 *	61.3	264.3	45,300 *	62.7	265.9	47,400 *													115
120	57.2	257.7	39,100 *	59.7	261.4	43,100 *	61.1	263.2	45,000 *													120
130	53.8	250.7	34,500 *	56.3	255.1	37,700 *	57.7	257.2	39,900 *	60.1	259.8	43,500 *										130
140	50.1	242.7	30,500 *	52.7	247.8	33,300 *	54.2	250.3	35,100 *	56.7	253.5	38,400 *										140
150	46.2	233.7	27,200 *	49.0	239.6	29,600 *	50.6	242.5	31,000 *	53.2	246.4	33,800 *	55.6	249.1	36,800 *							150
160	42.1	223.2	24,200 *	45.1	230.2	26,300 *	46.8	233.6	27,600 *	49.5	238.3	29,900 *	52.0	241.7	32,500 *							160
170	37.6	211.1	21,700 *	40.8	219.3	23,500 *	42.7	223.4	24,600 *	45.6	229.0	26,600 *	48.3	233.2	28,800 *	50.8	236.1	31,100 *				170
180	32.5	196.6	19,400 *	36.2	206.6	21,000 *	38.2	211.5	21,900 *	41.4	218.3	23,700 *	44.3	223.5	25,600 *	46.9	227.2	27,600 *				180
190	26.7	178.8	17,300 *	31.0	191.3	18,800 *	33.3	197.4	19,600 *	36.8	205.9	21,200 *	40.0	212.3	22,900 *	42.8	217.0	24,600 *	45.5	220.2	26,500 *	190
200	19.2	154.7	15,500 *	24.8	172.1	16,800 *	27.6	180.2	17,600 *	31.7	191.0	19,000 *	35.2	199.2	20,500 *	38.4	205.2	22,000 *	41.2	209.5	23,600 *	200
210		5.2	10,300 *	16.5	145.0	15,000 *	20.4	157.3	15,700 *	25.6	172.4	17,000 *	29.8	183.3	18,300 *	33.5	191.2	19,700 *	36.7	196.9	21,100 *	210
220							8.7	117.7	13,900 *	17.7	146.7	15,100 *	23.4	163.0	16,400 *	27.8	174.1	17,600 *	31.5	181.9	18,900 *	220
230													14.3	133.0	14,600 *	20.7	151.5	15,700 *	25.4	163.2	16,900 *	230
240																9.4	113.3	14,000 *	17.4	137.2	15,000 *	240



# Liftcrane Luffing Jib Capacities

# M-250 SERIES 3

Luffing Jib No. 133 or No. 133A On  
 Boom No. 44 With Heavy Lift Top  
 248,700 Lb. Crane Counterweight  
 120,000 Lb. Carbody Counterweight  
 360 Degree Rating

Designed And Tested  
 With The Intent To Be In  
 The Scope of ANSI B30.5

## 90 Ft. Boom, 70 Ft. Jib

Jib Oper. Rad. Feet	88 Degree Boom Angle			83 Degree Boom Angle			80 Degree Boom Angle			75 Degree Boom Angle			70 Degree Boom Angle			65 Degree Boom Angle			60 Degree Boom Angle			Jib Oper. Rad. Feet
	Jib Ang. Deg.	Jib Point Elev. Feet	Luffing Jib Capacity Pounds	Jib Ang. Deg.	Jib Point Elev. Feet	Luffing Jib Capacity Pounds	Jib Ang. Deg.	Jib Point Elev. Feet	Luffing Jib Capacity Pounds	Jib Ang. Deg.	Jib Point Elev. Feet	Luffing Jib Capacity Pounds	Jib Ang. Deg.	Jib Point Elev. Feet	Luffing Jib Capacity Pounds	Jib Ang. Deg.	Jib Point Elev. Feet	Luffing Jib Capacity Pounds	Jib Ang. Deg.	Jib Point Elev. Feet	Luffing Jib Capacity Pounds	
38	68.4	164.8	175,400 *b																			38
40	66.6	163.9	168,500 *b																			40
45	62.1	161.4	152,900 *b	69.3	164.4	177,800 *b																45
50	57.3	158.3	135,100 *b	64.8	162.2	161,000 *b																50
55	52.2	154.7	118,400 *	60.2	159.5	146,800 *b	64.6	161.3	159,700 *b													55
60	46.7	150.2	105,000 *	55.3	156.2	128,100 *b	60.0	158.6	145,900 *b													60
65	40.7	144.8	94,200 *	50.1	152.2	112,800 *	55.0	155.3	127,700 *	62.6	158.3	157,400 b										65
70	33.7	137.9	85,300 *	44.4	147.4	100,500 *	49.8	151.3	112,500 *	57.9	155.3	138,200 *b										70
75	25.1	128.7	77,700 *	38.0	141.5	90,500 *	44.1	146.4	100,400 *	52.8	151.8	120,700 *										75
80	11.1	112.3	70,000 *	30.6	133.9	82,200 *	37.7	140.4	90,400 *	47.4	147.4	107,000 *	55.5	151.2	118,400							80
85				20.7	122.9	75,100 *	30.2	132.7	82,100 *	41.4	142.1	95,800 *	50.3	147.3	109,900							85
90							20.1	121.5	75,100 *	34.6	135.5	86,700 *	44.7	142.5	101,500 *	52.8	146.1	99,900				90
95										26.3	126.6	79,000 *	38.4	136.7	91,300 *	47.4	141.7	93,400				95
100										13.6	112.0	72,400 *	31.0	129.1	82,900 *	41.5	136.4	87,700				100
105													21.3	118.4	75,700 *	34.7	129.8	82,600	44.0	135.0	80,600	105
110																26.3	120.9	77,900	37.6	129.0	76,100	110
115																13.7	106.4	72,500 *	30.1	121.2	72,000	115
120																			20.0	110.0	68,200	120



# Liftcrane Luffing Jib Capacities

Luffing Jib No. 133 or No. 133A On  
 Boom No. 44 With Heavy Lift Top  
 248,700 Lb. Crane Counterweight  
 120,000 Lb. Carbody Counterweight  
 360 Degree Rating

Designed And Tested  
 With The Intent To Be In  
 The Scope of ANSI B30.5

## M-250 SERIES 3

### 90 Ft. Boom, 80 Ft. Jib

Jib Oper. Rad. Feet	88 Degree Boom Angle			83 Degree Boom Angle			80 Degree Boom Angle			75 Degree Boom Angle			70 Degree Boom Angle			65 Degree Boom Angle			60 Degree Boom Angle			Jib Oper. Rad. Feet
	Jib Ang. Deg.	Jib Point Elev. Feet	Luffing Jib Capacity Pounds	Jib Ang. Deg.	Jib Point Elev. Feet	Luffing Jib Capacity Pounds	Jib Ang. Deg.	Jib Point Elev. Feet	Luffing Jib Capacity Pounds	Jib Ang. Deg.	Jib Point Elev. Feet	Luffing Jib Capacity Pounds	Jib Ang. Deg.	Jib Point Elev. Feet	Luffing Jib Capacity Pounds	Jib Ang. Deg.	Jib Point Elev. Feet	Luffing Jib Capacity Pounds	Jib Ang. Deg.	Jib Point Elev. Feet	Luffing Jib Capacity Pounds	
38	71.2	175.5	171,400 *b																			38
40	69.7	174.7	164,700 *b																			40
45	65.8	172.6	149,800 *b																			45
50	61.8	170.0	136,200 *b	68.2	173.2	157,800 *b																50
55	57.6	167.0	119,100 *	64.2	170.9	144,200 *b	68.0	172.3	156,600 *b													55
60	53.2	163.4	105,600 *	60.2	168.2	128,900 *	64.1	170.0	143,200 *b													60
65	48.5	159.2	94,700 *	55.9	164.9	113,400 *	60.0	167.2	128,500 *													65
70	43.5	154.3	85,700 *	51.4	161.1	101,100 *	55.7	164.0	113,100 *	62.3	167.0	139,100 *b										70
75	37.9	148.2	78,100 *	46.6	156.6	90,900 *	51.2	160.1	100,800 *	58.1	164.0	121,400 *										75
80	31.4	140.7	71,600 *	41.3	151.3	82,500 *	46.3	155.6	90,800 *	53.8	160.5	107,500 *										80
85	23.4	130.7	66,000 *	35.4	144.7	75,400 *	41.1	150.2	82,400 *	49.1	156.4	96,300 *	56.1	159.9	109,300							85
90	10.3	113.1	60,300 *	28.5	136.4	69,300 *	35.1	143.6	75,300 *	44.1	151.5	87,000 *	51.6	156.1	101,900							90
95				19.3	124.6	64,000 *	28.1	135.2	69,300 *	38.6	145.7	79,300 *	46.8	151.7	91,700 *							95
100							18.8	123.1	64,000 *	32.3	138.4	72,600 *	41.6	146.4	83,200 *	49.1	150.7	87,200				100
105										24.5	128.8	66,900 *	35.7	139.9	76,000 *	44.1	145.8	82,100				105
110										12.7	113.0	61,900 *	28.8	131.7	69,900 *	38.6	140.0	77,500	46.3	144.2	75,500	110
115													19.8	120.2	64,500 *	32.3	132.7	72,700 *	41.0	138.7	71,500	115
120																24.5	123.1	67,000 *	35.1	132.1	67,800	120
130																			18.6	111.6	61,200	130



# Liftcrane Luffing Jib Capacities

## M-250 SERIES 3

Luffing Jib No. 133 or No. 133A On  
 Boom No. 44 With Heavy Lift Top  
 248,700 Lb. Crane Counterweight  
 120,000 Lb. Carbody Counterweight  
 360 Degree Rating

Designed And Tested  
 With The Intent To Be In  
 The Scope of ANSI B30.5

### 90 Ft. Boom, 90 Ft. Jib

Jib Oper. Rad. Feet	88 Degree Boom Angle			83 Degree Boom Angle			80 Degree Boom Angle			75 Degree Boom Angle			70 Degree Boom Angle			65 Degree Boom Angle			60 Degree Boom Angle			Jib Oper. Rad. Feet
	Jib Ang. Deg.	Jib Point Elev. Feet	Luffing Jib Capacity Pounds	Jib Ang. Deg.	Jib Point Elev. Feet	Luffing Jib Capacity Pounds	Jib Ang. Deg.	Jib Point Elev. Feet	Luffing Jib Capacity Pounds	Jib Ang. Deg.	Jib Point Elev. Feet	Luffing Jib Capacity Pounds	Jib Ang. Deg.	Jib Point Elev. Feet	Luffing Jib Capacity Pounds	Jib Ang. Deg.	Jib Point Elev. Feet	Luffing Jib Capacity Pounds	Jib Ang. Deg.	Jib Point Elev. Feet	Luffing Jib Capacity Pounds	
36	74.7	186.6	172,600 *b																			36
38	73.4	186.0	167,300 *b																			38
40	72.1	185.4	160,900 *b																			40
45	68.7	183.5	146,700 *b																			45
50	65.2	181.3	134,400 *	70.7	183.9	154,500 *b																50
55	61.6	178.7	119,600 *	67.3	181.9	141,500 *b																55
60	57.9	175.7	106,000 *	63.8	179.6	129,500 *	67.1	181.0	140,700 *b													60
65	54.0	172.2	95,000 *	60.1	176.8	113,900 *	63.6	178.7	128,700 *													65
70	49.9	168.2	85,900 *	56.4	173.6	101,400 *	60.0	175.9	113,500 *													70
75	45.5	163.5	78,300 *	52.4	169.9	91,200 *	56.2	172.7	101,200 *	62.0	175.7	121,900 *										75
80	40.8	158.0	71,800 *	48.2	165.7	82,800 *	52.2	169.0	91,100 *	58.3	172.7	107,900 *										80
85	35.6	151.5	66,100 *	43.7	160.7	75,600 *	48.0	164.7	82,600 *	54.5	169.3	96,600 *										85
90	29.5	143.4	61,200 *	38.8	154.8	69,500 *	43.5	159.6	75,500 *	50.4	165.3	87,300 *	56.5	168.6	101,500							90
95	22.0	132.6	56,900 *	33.3	147.7	64,100 *	38.6	153.7	69,400 *	46.1	160.7	79,400 *	52.6	164.9	92,000 *							95
100	9.6	113.9	52,400 *	26.8	138.8	59,500 *	33.0	146.6	64,100 *	41.4	155.3	72,800 *	48.4	160.7	83,400 *							100
105				18.1	126.2	55,300 *	26.4	137.5	59,400 *	36.3	149.0	67,000 *	43.9	155.8	76,200 *	50.4	159.6	81,700				105
110							17.6	124.6	55,300 *	30.3	141.1	62,000 *	39.1	149.9	70,000 *	46.1	155.0	77,100				110
115										23.0	130.8	57,600 *	33.6	142.9	64,600 *	41.5	149.7	72,900 *	48.0	153.2	71,100	115
120										11.9	114.0	53,700 *	27.1	134.1	59,900 *	36.3	143.3	67,100 *	43.5	148.2	67,400	120
130																23.1	125.1	57,700 *	33.0	135.1	61,000	130
140																			17.5	113.1	55,400 *	140



# Liftcrane Luffing Jib Capacities

Luffing Jib No. 133 or No. 133A On  
 Boom No. 44 With Heavy Lift Top  
 248,700 Lb. Crane Counterweight  
 120,000 Lb. Carbody Counterweight  
 360 Degree Rating

Designed And Tested  
 With The Intent To Be In  
 The Scope of ANSI B30.5

## M-250 SERIES 3

### 90 Ft. Boom, 100 Ft. Jib

Jib Oper. Rad. Feet	88 Degree Boom Angle			83 Degree Boom Angle			80 Degree Boom Angle			75 Degree Boom Angle			70 Degree Boom Angle			65 Degree Boom Angle			60 Degree Boom Angle			Jib Oper. Rad. Feet
	Jib Ang. Deg.	Jib Point Elev. Feet	Luffing Jib Capacity Pounds	Jib Ang. Deg.	Jib Point Elev. Feet	Luffing Jib Capacity Pounds	Jib Ang. Deg.	Jib Point Elev. Feet	Luffing Jib Capacity Pounds	Jib Ang. Deg.	Jib Point Elev. Feet	Luffing Jib Capacity Pounds	Jib Ang. Deg.	Jib Point Elev. Feet	Luffing Jib Capacity Pounds	Jib Ang. Deg.	Jib Point Elev. Feet	Luffing Jib Capacity Pounds	Jib Ang. Deg.	Jib Point Elev. Feet	Luffing Jib Capacity Pounds	
38	75.1	196.5	156,700 *b																			38
40	73.9	195.9	153,300 *b																			40
45	70.9	194.2	143,400 *b																			45
50	67.8	192.3	131,800 *																			50
55	64.7	190.0	119,700 *	69.7	192.7	138,600 *b																55
60	61.4	187.4	106,100 *	66.6	190.7	127,700 *																60
65	58.1	184.4	95,000 *	63.4	188.2	114,000 *	66.4	189.8	127,200 *													65
70	54.6	180.9	85,900 *	60.1	185.5	101,500 *	63.2	187.3	113,600 *													70
75	51.0	177.0	78,200 *	56.7	182.3	91,200 *	60.0	184.5	101,200 *													75
80	47.2	172.6	71,600 *	53.2	178.7	82,700 *	56.6	181.4	91,000 *	61.8	184.3	107,900 *										80
85	43.1	167.5	66,000 *	49.5	174.6	75,500 *	53.0	177.7	82,500 *	58.5	181.4	96,600 *										85
90	38.6	161.5	61,100 *	45.6	169.9	69,300 *	49.3	173.6	75,400 *	55.1	178.0	87,200 *										90
95	33.7	154.5	56,700 *	41.3	164.5	64,000 *	45.4	168.9	69,200 *	51.4	174.2	79,300 *	56.9	177.3	92,000 *							95
100	27.9	145.9	52,900 *	36.7	158.2	59,300 *	41.1	163.4	63,900 *	47.6	169.8	72,600 *	53.4	173.7	83,400 *							100
105	20.8	134.4	49,400 *	31.5	150.6	55,200 *	36.5	157.0	59,300 *	43.6	164.8	66,900 *	49.7	169.6	76,100 *							105
110	9.1	114.7	45,800 *	25.3	141.0	51,500 *	31.2	149.4	55,100 *	39.2	158.9	61,900 *	45.8	165.0	69,900 *	51.5	168.5	76,600				110
115				17.2	127.7	48,200 *	25.0	139.7	51,500 *	34.3	152.1	57,500 *	41.5	159.6	64,500 *	47.7	164.1	72,400				115
120							16.7	126.1	48,200 *	28.7	143.7	53,500 *	36.9	153.3	59,800 *	43.6	159.1	67,000 *				120
130										11.2	115.0	46,900 *	25.7	136.4	51,900 *	34.3	146.4	57,500 *	41.1	152.0	60,400	130
140																21.8	127.0	50,100 *	31.2	137.9	55,000	140
150																			16.6	114.5	48,300 *	150





# Liftcrane Luffing Jib Capacities

# M-250 SERIES 3

Luffing Jib No. 133 or No. 133A On  
 Boom No. 44 With Heavy Lift Top  
 248,700 Lb. Crane Counterweight  
 120,000 Lb. Carbody Counterweight  
 360 Degree Rating

Designed And Tested  
 With The Intent To Be In  
 The Scope of ANSI B30.5

## 90 Ft. Boom, 110 Ft. Jib

Jib Oper. Rad. Feet	88 Degree Boom Angle			83 Degree Boom Angle			80 Degree Boom Angle			75 Degree Boom Angle			70 Degree Boom Angle			65 Degree Boom Angle			60 Degree Boom Angle			Jib Oper. Rad. Feet
	Jib Ang. Deg.	Jib Point Elev. Feet	Luffing Jib Capacity Pounds	Jib Ang. Deg.	Jib Point Elev. Feet	Luffing Jib Capacity Pounds	Jib Ang. Deg.	Jib Point Elev. Feet	Luffing Jib Capacity Pounds	Jib Ang. Deg.	Jib Point Elev. Feet	Luffing Jib Capacity Pounds	Jib Ang. Deg.	Jib Point Elev. Feet	Luffing Jib Capacity Pounds	Jib Ang. Deg.	Jib Point Elev. Feet	Luffing Jib Capacity Pounds	Jib Ang. Deg.	Jib Point Elev. Feet	Luffing Jib Capacity Pounds	
40	75.4	206.3	145,000 *b																			40
45	72.7	204.8	138,500 *b																			45
50	69.9	203.0	128,600 *																			50
55	67.1	201.0	119,000 *																			55
60	64.3	198.7	109,200 *	68.8	201.5	125,000 *																60
65	61.3	196.0	97,700 *	66.0	199.4	115,900 *																65
70	58.3	193.0	88,200 *	63.1	196.9	104,400 *	65.9	198.5	115,600 *													70
75	55.1	189.7	80,300 *	60.1	194.1	93,800 *	63.0	196.0	104,000 *													75
80	51.9	185.9	73,500 *	57.0	191.0	85,000 *	60.0	193.2	93,500 *													80
85	48.4	181.6	67,700 *	53.8	187.5	77,500 *	56.9	190.1	84,700 *	61.7	193.0	99,300 *										85
90	44.8	176.8	62,600 *	50.5	183.5	71,200 *	53.7	186.5	77,400 *	58.6	190.0	89,600 *										90
95	40.9	171.2	58,200 *	47.0	179.0	65,600 *	50.4	182.5	71,000 *	55.5	186.7	81,400 *										95
100	36.7	164.9	54,200 *	43.3	173.9	60,800 *	46.9	178.0	65,500 *	52.3	183.0	74,500 *	57.2	186.0	85,600 *							100
105	32.0	157.4	50,700 *	39.3	168.1	56,600 *	43.1	172.9	60,700 *	48.9	178.8	68,600 *	54.0	182.5	78,100 *							105
110	26.6	148.2	47,500 *	34.9	161.3	52,800 *	39.1	167.0	56,500 *	45.3	174.0	63,400 *	50.7	178.5	71,600 *							110
115	19.8	136.2	44,600 *	30.0	153.2	49,400 *	34.7	160.2	52,700 *	41.4	168.6	58,900 *	47.2	174.1	66,100 *	52.3	177.3	71,900				115
120	8.6	115.4	38,500 *	24.1	143.2	46,400 *	29.7	152.0	49,400 *	37.3	162.3	54,900 *	43.5	169.0	61,200 *	48.9	173.1	68,200				120
130							15.9	127.4	43,600 *	27.3	146.1	48,000 *	35.1	156.5	53,100 *	41.4	162.9	58,900 *	46.8	166.6	59,900	130
140										10.7	115.9	42,500 *	24.4	138.5	46,700 *	32.7	149.3	51,300 *	39.1	155.5	54,600	140
150																20.8	128.9	45,200 *	29.7	140.6	49,400 *	150
160																			15.8	115.8	43,600 *	160



# Liftcrane Luffing Jib Capacities

Luffing Jib No. 133 or No. 133A On  
 Boom No. 44 With Heavy Lift Top  
 248,700 Lb. Crane Counterweight  
 120,000 Lb. Carbody Counterweight  
 360 Degree Rating

Designed And Tested  
 With The Intent To Be In  
 The Scope of ANSI B30.5

## M-250 SERIES 3

### 90 Ft. Boom, 120 Ft. Jib

Jib Oper. Rad. Feet	88 Degree Boom Angle			83 Degree Boom Angle			80 Degree Boom Angle			75 Degree Boom Angle			70 Degree Boom Angle			65 Degree Boom Angle			60 Degree Boom Angle			Jib Oper. Rad. Feet
	Jib Ang. Deg.	Jib Point Elev. Feet	Luffing Jib Capacity Pounds	Jib Ang. Deg.	Jib Point Elev. Feet	Luffing Jib Capacity Pounds	Jib Ang. Deg.	Jib Point Elev. Feet	Luffing Jib Capacity Pounds	Jib Ang. Deg.	Jib Point Elev. Feet	Luffing Jib Capacity Pounds	Jib Ang. Deg.	Jib Point Elev. Feet	Luffing Jib Capacity Pounds	Jib Ang. Deg.	Jib Point Elev. Feet	Luffing Jib Capacity Pounds	Jib Ang. Deg.	Jib Point Elev. Feet	Luffing Jib Capacity Pounds	
45	74.2	215.3	129,400 *b																			45
50	71.7	213.7	124,000 *																			50
55	69.1	211.8	116,500 *																			55
60	66.5	209.7	108,400 *	70.7	212.2	122,200 *																60
65	63.9	207.3	97,400 *	68.1	210.3	113,700 *																65
70	61.2	204.7	87,900 *	65.5	208.1	104,100 *	68.0	209.4	113,400 *													70
75	58.4	201.7	80,000 *	62.8	205.6	93,500 *	65.4	207.2	103,700 *													75
80	55.5	198.4	73,200 *	60.1	202.8	84,600 *	62.7	204.7	93,200 *													80
85	52.6	194.7	67,300 *	57.3	199.7	77,200 *	60.0	201.9	84,400 *													85
90	49.5	190.5	62,200 *	54.4	196.2	70,800 *	57.2	198.7	77,000 *	61.5	201.6	89,200 *										90
95	46.2	185.9	57,800 *	51.4	192.3	65,300 *	54.2	195.2	70,600 *	58.8	198.7	81,100 *										95
100	42.8	180.7	53,800 *	48.2	188.0	60,400 *	51.2	191.4	65,100 *	55.9	195.4	74,100 *										100
105	39.1	174.8	50,300 *	44.9	183.2	56,200 *	48.1	187.0	60,300 *	52.9	191.8	68,200 *	57.4	194.7	77,700 *							105
110	35.1	168.1	47,100 *	41.4	177.7	52,400 *	44.7	182.1	56,100 *	49.9	187.7	63,000 *	54.5	191.2	71,300 *							110
115	30.6	160.1	44,200 *	37.5	171.5	49,000 *	41.2	176.7	52,300 *	46.6	183.1	58,500 *	51.5	187.4	65,700 *							115
120	25.4	150.5	41,600 *	33.4	164.3	46,000 *	37.4	170.4	49,000 *	43.2	178.0	54,400 *	48.4	183.1	60,800 *	53.0	186.1	67,700				120
130	8.2	116.1	34,100 *	23.0	145.2	40,700 *	28.4	154.6	43,200 *	35.6	165.6	47,600 *	41.5	172.8	52,700 *	46.7	177.4	58,500 *				130
140							15.1	128.7	38,400 *	26.1	148.4	42,100 *	33.6	159.5	46,200 *	39.6	166.5	50,900 *	44.7	170.7	54,000	140
150										10.2	116.7	37,400 *	23.3	140.6	40,900 *	31.2	152.1	44,800 *	37.3	158.9	49,000 *	150
160																19.9	130.6	39,700 *	28.4	143.1	43,200 *	160
170																			15.0	117.1	38,400 *	170



# Liftcrane Luffing Jib Capacities

# M-250 SERIES 3

Luffing Jib No. 133 or No. 133A On  
 Boom No. 44 With Heavy Lift Top  
 248,700 Lb. Crane Counterweight  
 120,000 Lb. Carbody Counterweight  
 360 Degree Rating

Designed And Tested  
 With The Intent To Be In  
 The Scope of ANSI B30.5

## 90 Ft. Boom, 130 Ft. Jib

Jib Oper. Rad. Feet	88 Degree Boom Angle			83 Degree Boom Angle			80 Degree Boom Angle			75 Degree Boom Angle			70 Degree Boom Angle			65 Degree Boom Angle			60 Degree Boom Angle			Jib Oper. Rad. Feet
	Jib Ang. Deg.	Jib Point Elev. Feet	Luffing Jib Capacity Pounds	Jib Ang. Deg.	Jib Point Elev. Feet	Luffing Jib Capacity Pounds	Jib Ang. Deg.	Jib Point Elev. Feet	Luffing Jib Capacity Pounds	Jib Ang. Deg.	Jib Point Elev. Feet	Luffing Jib Capacity Pounds	Jib Ang. Deg.	Jib Point Elev. Feet	Luffing Jib Capacity Pounds	Jib Ang. Deg.	Jib Point Elev. Feet	Luffing Jib Capacity Pounds	Jib Ang. Deg.	Jib Point Elev. Feet	Luffing Jib Capacity Pounds	
45	75.4	225.6	120,000 *																			45
50	73.1	224.2	115,300 *																			50
55	70.8	222.5	110,600 *																			55
60	68.5	220.6	105,800 *																			60
65	66.1	218.4	98,200 *	69.9	221.0	110,200 *																65
70	63.6	216.0	88,500 *	67.5	219.0	103,700 *																70
75	61.1	213.3	80,400 *	65.1	216.8	94,200 *	67.4	218.1	103,400 *													75
80	58.5	210.4	73,600 *	62.6	214.2	85,200 *	65.0	215.9	93,900 *													80
85	55.9	207.1	67,600 *	60.1	211.5	77,600 *	62.5	213.3	84,900 *													85
90	53.2	203.4	62,500 *	57.5	208.4	71,100 *	60.0	210.5	77,400 *													90
95	50.3	199.4	57,900 *	54.8	204.9	65,500 *	57.4	207.4	71,000 *	61.4	210.3	81,600 *										95
100	47.4	195.0	53,900 *	52.1	201.1	60,600 *	54.7	204.0	65,400 *	58.9	207.4	74,500 *										100
105	44.3	190.0	50,400 *	49.2	197.0	56,300 *	51.9	200.2	60,500 *	56.2	204.1	68,500 *										105
110	41.0	184.5	47,200 *	46.2	192.3	52,500 *	49.1	196.0	56,200 *	53.5	200.5	63,200 *	57.6	203.3	71,600 *							110
115	37.5	178.2	44,300 *	43.0	187.1	49,100 *	46.0	191.3	52,400 *	50.7	196.5	58,600 *	55.0	199.9	66,000 *							115
120	33.6	171.1	41,700 *	39.6	181.3	46,000 *	42.9	186.1	49,000 *	47.8	192.2	54,600 *	52.2	196.2	61,000 *							120
130	24.4	152.6	37,100 *	32.0	167.2	40,700 *	35.8	173.7	43,200 *	41.4	181.8	47,700 *	46.3	187.4	52,800 *	50.7	190.9	58,700 *				130
140	7.9	116.7	30,500 *	22.1	147.1	36,300 *	27.2	157.0	38,400 *	34.1	168.6	42,100 *	39.8	176.5	46,300 *	44.7	181.6	51,000 *				140
150							14.5	130.0	34,300 *	25.0	150.6	37,500 *	32.2	162.4	41,000 *	38.0	170.0	44,800 *	42.8	174.7	49,100 *	150
160										9.8	117.5	33,500 *	22.4	142.5	36,500 *	29.9	154.8	39,700 *	35.8	162.2	43,300 *	160
170																19.0	132.2	35,500 *	27.2	145.5	38,400 *	170
180																			14.4	118.4	34,400 *	180



# Liftcrane Luffing Jib Capacities

Luffing Jib No. 133 or No. 133A On  
 Boom No. 44 With Heavy Lift Top  
 248,700 Lb. Crane Counterweight  
 120,000 Lb. Carbody Counterweight  
 360 Degree Rating

Designed And Tested  
 With The Intent To Be In  
 The Scope of ANSI B30.5

## M-250 SERIES 3

### 90 Ft. Boom, 140 Ft. Jib

Jib Oper. Rad. Feet	88 Degree Boom Angle			83 Degree Boom Angle			80 Degree Boom Angle			75 Degree Boom Angle			70 Degree Boom Angle			65 Degree Boom Angle			60 Degree Boom Angle			Jib Oper. Rad. Feet
	Jib Ang. Deg.	Jib Point Elev. Feet	Luffing Jib Capacity Pounds	Jib Ang. Deg.	Jib Point Elev. Feet	Luffing Jib Capacity Pounds	Jib Ang. Deg.	Jib Point Elev. Feet	Luffing Jib Capacity Pounds	Jib Ang. Deg.	Jib Point Elev. Feet	Luffing Jib Capacity Pounds	Jib Ang. Deg.	Jib Point Elev. Feet	Luffing Jib Capacity Pounds	Jib Ang. Deg.	Jib Point Elev. Feet	Luffing Jib Capacity Pounds	Jib Ang. Deg.	Jib Point Elev. Feet	Luffing Jib Capacity Pounds	
50	74.4	234.6	108,100 *																			50
55	72.2	233.1	104,000 *																			55
60	70.1	231.3	100,000 *																			60
65	67.9	229.3	96,200 *																			65
70	65.6	227.1	88,100 *	69.2	229.8	99,700 *																70
75	63.4	224.7	80,000 *	67.0	227.8	93,800 *																75
80	61.0	222.0	73,100 *	64.7	225.5	84,800 *	66.9	226.9	93,500 *													80
85	58.6	219.0	67,200 *	62.4	222.9	77,200 *	64.6	224.6	84,500 *													85
90	56.2	215.8	62,000 *	60.1	220.1	70,700 *	62.3	222.0	77,000 *													90
95	53.7	212.2	57,500 *	57.7	217.0	65,100 *	60.0	219.2	70,500 *													95
100	51.1	208.3	53,500 *	55.2	213.6	60,200 *	57.6	216.1	65,000 *	61.3	219.0	74,100 *										100
105	48.4	204.0	49,900 *	52.7	209.9	55,900 *	55.1	212.7	60,100 *	58.9	216.0	68,100 *										105
110	45.6	199.2	46,700 *	50.0	205.9	52,100 *	52.5	209.0	55,800 *	56.5	212.8	62,800 *										110
115	42.6	193.9	43,800 *	47.3	201.4	48,600 *	49.9	204.9	52,000 *	54.0	209.3	58,200 *	57.8	212.0	65,500 *							115
120	39.4	188.1	41,200 *	44.4	196.4	45,600 *	47.1	200.4	48,600 *	51.4	205.4	54,100 *	55.3	208.6	60,600 *							120
130	32.4	174.0	36,600 *	38.1	184.8	40,200 *	41.2	189.9	42,700 *	45.9	196.4	47,200 *	50.2	200.9	52,400 *							130
140	23.5	154.7	32,700 *	30.8	169.9	35,800 *	34.5	176.8	37,900 *	39.8	185.5	41,600 *	44.5	191.5	45,800 *	48.7	195.4	50,600 *				140
150	7.6	117.3	27,000 *	21.3	149.0	32,100 *	26.2	159.3	33,800 *	32.8	171.6	37,000 *	38.3	180.0	40,500 *	43.0	185.5	44,400 *	47.1	188.9	48,600 *	150
160							14.0	131.2	30,400 *	24.1	152.7	33,100 *	31.0	165.2	36,000 *	36.5	173.3	39,300 *	41.2	178.4	42,800 *	160
170										9.4	118.3	29,700 *	21.5	144.4	32,300 *	28.8	157.4	35,000 *	34.4	165.3	38,000 *	170
180																18.3	133.8	31,400 *	26.2	147.8	33,900 *	180
190																			13.9	119.6	30,400 *	190



# Liftcrane Luffing Jib Capacities

# M-250 SERIES 3

Luffing Jib No. 133 or No. 133A On  
 Boom No. 44 With Heavy Lift Top  
 248,700 Lb. Crane Counterweight  
 120,000 Lb. Carbody Counterweight  
 360 Degree Rating

Designed And Tested  
 With The Intent To Be In  
 The Scope of ANSI B30.5

## 90 Ft. Boom, 150 Ft. Jib

Jib Oper. Rad. Feet	88 Degree Boom Angle			83 Degree Boom Angle			80 Degree Boom Angle			75 Degree Boom Angle			70 Degree Boom Angle			65 Degree Boom Angle			60 Degree Boom Angle			Jib Oper. Rad. Feet
	Jib Ang. Deg.	Jib Point Elev. Feet	Luffing Jib Capacity Pounds	Jib Ang. Deg.	Jib Point Elev. Feet	Luffing Jib Capacity Pounds	Jib Ang. Deg.	Jib Point Elev. Feet	Luffing Jib Capacity Pounds	Jib Ang. Deg.	Jib Point Elev. Feet	Luffing Jib Capacity Pounds	Jib Ang. Deg.	Jib Point Elev. Feet	Luffing Jib Capacity Pounds	Jib Ang. Deg.	Jib Point Elev. Feet	Luffing Jib Capacity Pounds	Jib Ang. Deg.	Jib Point Elev. Feet	Luffing Jib Capacity Pounds	
50	75.4	245.0	103,300 *																			50
55	73.5	243.6	99,700 *																			55
60	71.4	241.9	96,300 *																			60
65	69.4	240.1	93,000 *																			65
70	67.4	238.1	89,100 *	70.6	240.5	95,800 *																70
75	65.3	235.8	80,800 *	68.6	238.6	92,700 *																75
80	63.1	233.4	73,800 *	66.5	236.5	85,700 *																80
85	61.0	230.7	67,800 *	64.4	234.1	78,000 *	66.4	235.6	85,400 *													85
90	58.7	227.7	62,600 *	62.3	231.6	71,400 *	64.3	233.2	77,700 *													90
95	56.5	224.5	58,000 *	60.1	228.8	65,700 *	62.2	230.7	71,200 *													95
100	54.1	220.9	53,900 *	57.8	225.7	60,700 *	60.0	227.9	65,500 *													100
105	51.7	217.1	50,300 *	55.5	222.4	56,400 *	57.7	224.8	60,600 *	61.2	227.6	68,700 *										105
110	49.2	212.9	47,100 *	53.2	218.7	52,500 *	55.4	221.4	56,200 *	59.0	224.7	63,300 *										110
115	46.6	208.3	44,100 *	50.7	214.7	49,000 *	53.1	217.7	52,400 *	56.7	221.5	58,700 *										115
120	43.9	203.3	41,500 *	48.2	210.4	45,900 *	50.6	213.7	48,900 *	54.4	218.0	54,500 *	57.9	220.7	61,100 *							120
130	38.0	191.5	36,800 *	42.8	200.4	40,500 *	45.4	204.6	43,000 *	49.5	210.0	47,600 *	53.3	213.7	52,800 *							130
140	31.2	176.8	32,900 *	36.8	188.2	36,000 *	39.7	193.5	38,100 *	44.3	200.5	41,900 *	48.3	205.4	46,100 *	52.0	208.5	50,900 *				140
150	22.6	156.7	29,400 *	29.7	172.6	32,200 *	33.2	179.8	33,900 *	38.4	189.0	37,200 *	42.9	195.5	40,700 *	47.0	199.8	44,600 *				150
160	7.3	117.9	22,700 *	20.5	150.8	28,800 *	25.3	161.5	30,300 *	31.7	174.4	33,100 *	36.9	183.3	36,200 *	41.4	189.4	39,500 *	45.4	193.1	43,100 *	160
170							13.5	132.3	27,100 *	23.2	154.8	29,600 *	29.9	167.9	32,200 *	35.2	176.5	35,100 *	39.7	182.1	38,100 *	170
180										9.0	119.1	26,400 *	20.8	146.3	28,800 *	27.8	159.8	31,300 *	33.2	168.3	33,900 *	180
190																17.7	135.4	28,000 *	25.2	150.0	30,300 *	190
200																13.4	120.7	27,000 *	13.4	120.7	27,000 *	200



# Liftcrane Luffing Jib Capacities

Luffing Jib No. 133 or No. 133A On  
 Boom No. 44 With Heavy Lift Top  
 248,700 Lb. Crane Counterweight  
 120,000 Lb. Carbody Counterweight  
 360 Degree Rating

Designed And Tested  
 With The Intent To Be In  
 The Scope of ANSI B30.5

## M-250 SERIES 3

### 90 Ft. Boom, 160 Ft. Jib

Jib Oper. Rad. Feet	88 Degree Boom Angle			83 Degree Boom Angle			80 Degree Boom Angle			75 Degree Boom Angle			70 Degree Boom Angle			65 Degree Boom Angle			60 Degree Boom Angle			Jib Oper. Rad. Feet
	Jib Ang. Deg.	Jib Point Elev. Feet	Luffing Jib Capacity Pounds	Jib Ang. Deg.	Jib Point Elev. Feet	Luffing Jib Capacity Pounds	Jib Ang. Deg.	Jib Point Elev. Feet	Luffing Jib Capacity Pounds	Jib Ang. Deg.	Jib Point Elev. Feet	Luffing Jib Capacity Pounds	Jib Ang. Deg.	Jib Point Elev. Feet	Luffing Jib Capacity Pounds	Jib Ang. Deg.	Jib Point Elev. Feet	Luffing Jib Capacity Pounds	Jib Ang. Deg.	Jib Point Elev. Feet	Luffing Jib Capacity Pounds	
55	74.5	254.0	93,600 *																			55
60	72.6	252.5	90,500 *																			60
65	70.8	250.8	87,400 *																			65
70	68.8	248.9	84,500 *																			70
75	66.9	246.8	80,300 *	70.0	249.3	87,000 *																75
80	64.9	244.5	73,300 *	68.1	247.4	84,300 *																80
85	62.9	242.0	67,300 *	66.1	245.2	77,500 *	68.0	246.5	83,800 *													85
90	60.9	239.3	62,100 *	64.1	242.8	70,900 *	66.0	244.3	77,200 *													90
95	58.8	236.4	57,500 *	62.1	240.2	65,200 *	64.1	241.9	70,700 *													95
100	56.7	233.2	53,400 *	60.1	237.4	60,200 *	62.0	239.3	65,000 *													100
105	54.5	229.7	49,800 *	58.0	234.4	55,800 *	60.0	236.5	60,100 *													105
110	52.3	225.9	46,500 *	55.8	231.1	52,000 *	57.9	233.4	55,700 *	61.1	236.3	62,800 *										110
115	49.9	221.8	43,600 *	53.6	227.5	48,500 *	55.7	230.1	51,800 *	59.1	233.4	58,100 *										115
120	47.5	217.3	40,900 *	51.4	223.6	45,400 *	53.5	226.5	48,400 *	57.0	230.2	54,000 *										120
130	42.4	207.2	36,300 *	46.6	214.7	40,000 *	48.9	218.3	42,500 *	52.5	223.0	47,000 *	55.9	226.1	52,200 *							130
140	36.8	194.9	32,400 *	41.4	204.2	35,500 *	43.9	208.7	37,600 *	47.8	214.5	41,400 *	51.5	218.6	45,600 *							140
150	30.2	179.5	29,100 *	35.5	191.4	31,700 *	38.4	197.0	33,500 *	42.8	204.5	36,700 *	46.7	209.8	40,200 *	50.2	213.2	44,100 *				150
160	21.9	158.6	26,000 *	28.7	175.2	28,400 *	32.1	182.6	29,900 *	37.1	192.3	32,700 *	41.5	199.3	35,700 *	45.4	204.0	39,000 *				160
170	7.1	118.5	20,000 *	19.8	152.5	25,500 *	24.5	163.7	26,800 *	30.6	177.2	29,200 *	35.7	186.5	31,800 *	40.1	193.0	34,600 *	43.9	197.2	37,600 *	170
180							13.0	133.5	23,900 *	22.5	156.7	26,100 *	28.9	170.4	28,400 *	34.0	179.5	30,900 *	38.4	185.6	33,500 *	180
190										8.7	119.8	23,300 *	20.1	148.0	25,500 *	26.9	162.2	27,600 *	32.1	171.2	29,900 *	190
200																17.1	136.9	24,700 *	24.4	152.2	26,700 *	200
210																12.9	121.8	23,900 *	12.9	121.8	23,900 *	210



# Liftcrane Luffing Jib Capacities

# M-250 SERIES 3

Luffing Jib No. 133 or No. 133A On  
 Boom No. 44 With Heavy Lift Top  
 248,700 Lb. Crane Counterweight  
 120,000 Lb. Carbody Counterweight  
 360 Degree Rating

Designed And Tested  
 With The Intent To Be In  
 The Scope of ANSI B30.5

## 90 Ft. Boom, 170 Ft. Jib

Jib Oper. Rad. Feet	88 Degree Boom Angle			83 Degree Boom Angle			80 Degree Boom Angle			75 Degree Boom Angle			70 Degree Boom Angle			65 Degree Boom Angle			60 Degree Boom Angle			Jib Oper. Rad. Feet
	Jib Ang. Deg.	Jib Point Elev. Feet	Luffing Jib Capacity Pounds	Jib Ang. Deg.	Jib Point Elev. Feet	Luffing Jib Capacity Pounds	Jib Ang. Deg.	Jib Point Elev. Feet	Luffing Jib Capacity Pounds	Jib Ang. Deg.	Jib Point Elev. Feet	Luffing Jib Capacity Pounds	Jib Ang. Deg.	Jib Point Elev. Feet	Luffing Jib Capacity Pounds	Jib Ang. Deg.	Jib Point Elev. Feet	Luffing Jib Capacity Pounds	Jib Ang. Deg.	Jib Point Elev. Feet	Luffing Jib Capacity Pounds	
55	75.5	264.4	86,800 *																			55
60	73.7	263.0	84,000 *																			60
65	71.9	261.4	81,300 *																			65
70	70.1	259.6	78,600 *																			70
75	68.3	257.7	76,000 *																			75
80	66.5	255.5	73,100 *	69.4	258.1	78,300 *																80
85	64.7	253.2	67,700 *	67.6	256.1	75,500 *																85
90	62.8	250.7	62,400 *	65.8	253.9	71,300 *	67.5	255.2	75,100 *													90
95	60.8	248.0	57,700 *	63.9	251.5	65,500 *	65.7	253.0	71,100 *													95
100	58.9	245.0	53,600 *	62.0	248.9	60,500 *	63.8	250.6	65,400 *													100
105	56.9	241.8	49,900 *	60.1	246.1	56,000 *	61.9	248.0	60,300 *													105
110	54.8	238.4	46,600 *	58.1	243.0	52,100 *	60.0	245.2	55,900 *	63.0	247.6	63,100 *										110
115	52.7	234.7	43,600 *	56.1	239.8	48,600 *	58.0	242.1	52,000 *	61.1	244.9	58,400 *										115
120	50.6	230.7	40,900 *	54.0	236.2	45,400 *	56.0	238.8	48,500 *	59.1	242.0	54,200 *										120
130	46.0	221.6	36,200 *	49.7	228.2	39,900 *	51.8	231.4	42,500 *	55.1	235.4	47,100 *										130
140	41.1	210.9	32,300 *	45.1	218.9	35,400 *	47.3	222.7	37,500 *	50.8	227.8	41,300 *	54.1	231.2	45,600 *							140
150	35.6	198.1	28,900 *	40.1	207.8	31,600 *	42.5	212.6	33,400 *	46.3	218.8	36,600 *	49.8	223.3	40,200 *	53.0	226.1	44,100 *				150
160	29.3	182.1	25,900 *	34.4	194.5	28,300 *	37.2	200.4	29,800 *	41.4	208.3	32,600 *	45.2	214.0	35,600 *	48.6	217.8	38,900 *				160
170	21.2	160.5	23,200 *	27.8	177.6	25,400 *	31.1	185.4	26,700 *	36.0	195.6	29,100 *	40.2	203.0	31,700 *	43.9	208.1	34,500 *	47.3	211.3	37,600 *	170
180	6.8	119.1	17,800 *	19.2	154.2	22,800 *	23.7	165.8	23,900 *	29.7	179.8	26,000 *	34.6	189.7	28,300 *	38.8	196.6	30,800 *	42.5	201.1	33,300 *	180
190							12.6	134.5	21,400 *	21.8	158.7	23,400 *	28.0	172.9	25,400 *	33.0	182.5	27,500 *	37.2	188.9	29,700 *	190
200										8.5	120.5	20,900 *	19.5	149.7	22,800 *	26.0	164.5	24,700 *	31.1	174.0	26,600 *	200
210																16.6	138.3	22,100 *	23.7	154.3	23,900 *	210
220																			12.5	122.9	21,400 *	220



# Liftcrane Luffing Jib Capacities

Luffing Jib No. 133 or No. 133A On  
 Boom No. 44 With Heavy Lift Top  
 248,700 Lb. Crane Counterweight  
 120,000 Lb. Carbody Counterweight  
 360 Degree Rating

Designed And Tested  
 With The Intent To Be In  
 The Scope of ANSI B30.5

## M-250 SERIES 3

### 90 Ft. Boom, 180 Ft. Jib

Jib Oper. Rad. Feet	88 Degree Boom Angle			83 Degree Boom Angle			80 Degree Boom Angle			75 Degree Boom Angle			70 Degree Boom Angle			65 Degree Boom Angle			60 Degree Boom Angle			Jib Oper. Rad. Feet
	Jib Ang. Deg.	Jib Point Elev. Feet	Luffing Jib Capacity Pounds	Jib Ang. Deg.	Jib Point Elev. Feet	Luffing Jib Capacity Pounds	Jib Ang. Deg.	Jib Point Elev. Feet	Luffing Jib Capacity Pounds	Jib Ang. Deg.	Jib Point Elev. Feet	Luffing Jib Capacity Pounds	Jib Ang. Deg.	Jib Point Elev. Feet	Luffing Jib Capacity Pounds	Jib Ang. Deg.	Jib Point Elev. Feet	Luffing Jib Capacity Pounds	Jib Ang. Deg.	Jib Point Elev. Feet	Luffing Jib Capacity Pounds	
60	74.6	273.4	79,000 *																			60
65	73.0	271.9	76,500 *																			65
70	71.3	270.2	74,000 *																			70
75	69.6	268.4	71,300 *																			75
80	67.9	266.4	68,200 *	70.6	268.8	73,500 *																80
85	66.2	264.3	65,300 *	68.9	266.9	70,400 *																85
90	64.4	261.9	61,800 *	67.2	264.8	67,500 *																90
95	62.6	259.4	57,200 *	65.5	262.6	64,700 *	67.1	264.0	67,200 *													95
100	60.8	256.6	53,000 *	63.7	260.2	59,900 *	65.4	261.7	64,400 *													100
105	59.0	253.7	49,300 *	61.9	257.6	55,500 *	63.6	259.3	59,800 *													105
110	57.1	250.5	46,000 *	60.1	254.8	51,500 *	61.8	256.7	55,400 *													110
115	55.1	247.1	43,100 *	58.2	251.7	48,000 *	60.0	253.8	51,400 *	62.8	256.3	57,800 *										115
120	53.2	243.4	40,400 *	56.3	248.4	44,900 *	58.1	250.8	47,900 *	61.0	253.6	53,600 *										120
130	49.0	235.3	35,700 *	52.4	241.2	39,400 *	54.3	244.0	41,900 *	57.3	247.5	46,500 *										130
140	44.7	225.7	31,700 *	48.2	232.7	34,900 *	50.2	236.1	37,000 *	53.4	240.5	40,800 *	56.4	243.4	45,100 *							140
150	39.9	214.6	28,400 *	43.7	222.9	31,000 *	45.9	227.0	32,800 *	49.3	232.4	36,000 *	52.5	236.2	39,600 *							150
160	34.6	201.2	25,400 *	38.9	211.4	27,800 *	41.3	216.3	29,300 *	44.9	223.0	32,000 *	48.3	227.8	35,100 *	51.4	230.9	38,400 *				160
170	28.4	184.6	22,800 *	33.4	197.5	24,900 *	36.1	203.7	26,200 *	40.2	211.9	28,600 *	43.9	218.0	31,200 *	47.2	222.2	34,000 *				170
180	20.6	162.3	20,500 *	27.0	180.0	22,400 *	30.2	188.1	23,500 *	34.9	198.7	25,600 *	39.0	206.5	27,900 *	42.6	212.0	30,300 *	45.9	215.6	32,900 *	180
190	6.6	119.6	15,600 *	18.7	155.8	20,100 *	23.0	167.8	21,100 *	28.8	182.4	23,000 *	33.6	192.7	25,000 *	37.7	200.0	27,100 *	41.2	204.9	29,300 *	190
200							12.3	135.6	18,800 *	21.2	160.5	20,600 *	27.2	175.3	22,400 *	32.0	185.4	24,200 *	36.1	192.2	26,200 *	200
210										8.2	121.2	18,400 *	18.9	151.4	20,100 *	25.3	166.8	21,700 *	30.2	176.7	23,500 *	210
220																16.1	139.7	19,500 *	23.0	156.3	21,000 *	220
230																			12.2	123.9	18,800 *	230





# Liftcrane Luffing Jib Capacities

# M-250 SERIES 3

Luffing Jib No. 133 or No. 133A On  
 Boom No. 44 With Heavy Lift Top  
 248,700 Lb. Crane Counterweight  
 120,000 Lb. Carbody Counterweight  
 360 Degree Rating

Designed And Tested  
 With The Intent To Be In  
 The Scope of ANSI B30.5

## 90 Ft. Boom, 190 Ft. Jib

Jib Oper. Rad. Feet	88 Degree Boom Angle			83 Degree Boom Angle			80 Degree Boom Angle			75 Degree Boom Angle			70 Degree Boom Angle			65 Degree Boom Angle			60 Degree Boom Angle			Jib Oper. Rad. Feet
	Jib Ang. Deg.	Jib Point Elev. Feet	Luffing Jib Capacity Pounds	Jib Ang. Deg.	Jib Point Elev. Feet	Luffing Jib Capacity Pounds	Jib Ang. Deg.	Jib Point Elev. Feet	Luffing Jib Capacity Pounds	Jib Ang. Deg.	Jib Point Elev. Feet	Luffing Jib Capacity Pounds	Jib Ang. Deg.	Jib Point Elev. Feet	Luffing Jib Capacity Pounds	Jib Ang. Deg.	Jib Point Elev. Feet	Luffing Jib Capacity Pounds	Jib Ang. Deg.	Jib Point Elev. Feet	Luffing Jib Capacity Pounds	
60	75.5	283.7	74,200 *																			60
65	73.9	282.3	72,000 *																			65
70	72.3	280.8	69,400 *																			70
75	70.7	279.1	66,700 *																			75
80	69.1	277.2	63,900 *																			80
85	67.5	275.2	61,200 *	70.1	277.6	65,800 *																85
90	65.8	273.0	58,500 *	68.5	275.7	63,200 *																90
95	64.2	270.6	55,800 *	66.8	273.6	60,500 *																95
100	62.5	268.0	52,500 *	65.2	271.3	57,800 *	66.8	272.7	60,200 *													100
105	60.8	265.3	48,800 *	63.5	268.9	55,000 *	65.1	270.4	57,600 *													105
110	59.0	262.4	45,500 *	61.8	266.2	51,100 *	63.4	268.0	54,900 *													110
115	57.2	259.2	42,600 *	60.1	263.4	47,500 *	61.7	265.3	50,900 *													115
120	55.4	255.8	39,900 *	58.3	260.4	44,400 *	60.0	262.5	47,400 *	62.7	265.0	53,100 *										120
130	51.6	248.3	35,200 *	54.7	253.7	38,900 *	56.4	256.2	41,400 *	59.2	259.3	46,000 *										130
140	47.7	239.7	31,200 *	50.9	246.0	34,400 *	52.7	249.0	36,500 *	55.6	252.9	40,300 *										140
150	43.4	229.7	27,900 *	46.8	237.1	30,500 *	48.8	240.7	32,300 *	51.9	245.4	35,500 *	54.8	248.7	39,100 *							150
160	38.8	218.1	24,900 *	42.5	226.8	27,300 *	44.6	231.1	28,800 *	47.9	236.9	31,500 *	51.0	241.0	34,600 *							160
170	33.6	204.3	22,400 *	37.8	214.8	24,400 *	40.1	220.0	25,800 *	43.7	227.0	28,100 *	46.9	232.1	30,700 *	49.9	235.6	33,500 *				170
180	27.6	187.1	20,100 *	32.5	200.4	22,000 *	35.1	206.8	23,100 *	39.1	215.5	25,200 *	42.6	221.9	27,400 *	45.8	226.4	29,800 *				180
190	20.0	164.0	18,000 *	26.3	182.4	19,700 *	29.4	190.8	20,700 *	33.9	201.8	22,500 *	37.9	210.0	24,500 *	41.4	215.8	26,600 *	44.6	219.7	28,800 *	190
200	6.4	120.2	13,500 *	18.2	157.4	17,600 *	22.4	169.8	18,500 *	28.0	184.9	20,200 *	32.6	195.6	22,000 *	36.6	203.3	23,800 *	40.1	208.6	25,700 *	200
210							11.9	136.6	16,500 *	20.6	162.3	18,100 *	26.4	177.7	19,700 *	31.1	188.2	21,300 *	35.1	195.4	23,000 *	210
220										8.0	121.9	16,100 *	18.4	153.0	17,600 *	24.6	168.9	19,100 *	29.4	179.3	20,600 *	220
230																15.6	141.1	17,100 *	22.3	158.3	18,500 *	230
240																			11.8	125.0	16,500 *	240



# Liftcrane Luffing Jib Capacities

Luffing Jib No. 133 or No. 133A On  
 Boom No. 44 With Heavy Lift Top  
 248,700 Lb. Crane Counterweight  
 120,000 Lb. Carbody Counterweight  
 360 Degree Rating

Designed And Tested  
 With The Intent To Be In  
 The Scope of ANSI B30.5

## M-250 SERIES 3

### 90 Ft. Boom, 200 Ft. Jib

Jib Oper. Rad. Feet	88 Degree Boom Angle			83 Degree Boom Angle			80 Degree Boom Angle			75 Degree Boom Angle			70 Degree Boom Angle			65 Degree Boom Angle			60 Degree Boom Angle			Jib Oper. Rad. Feet	
	Jib Ang. Deg.	Jib Point Elev. Feet	Luffing Jib Capacity Pounds	Jib Ang. Deg.	Jib Point Elev. Feet	Luffing Jib Capacity Pounds	Jib Ang. Deg.	Jib Point Elev. Feet	Luffing Jib Capacity Pounds	Jib Ang. Deg.	Jib Point Elev. Feet	Luffing Jib Capacity Pounds	Jib Ang. Deg.	Jib Point Elev. Feet	Luffing Jib Capacity Pounds	Jib Ang. Deg.	Jib Point Elev. Feet	Luffing Jib Capacity Pounds	Jib Ang. Deg.	Jib Point Elev. Feet	Luffing Jib Capacity Pounds		
65	74.7	292.7	66,200 *																			65	
70	73.2	291.3	64,500 *																			70	
75	71.7	289.7	62,000 *																			75	
80	70.2	287.9	59,300 *																			80	
85	68.7	286.0	56,700 *																			85	
90	67.1	283.9	54,000 *	69.6	286.4	58,500 *																90	
95	65.6	281.7	51,500 *	68.1	284.4	56,000 *																95	
100	64.0	279.3	49,000 *	66.5	282.3	53,400 *	68.0	283.6	55,500 *													100	
105	62.4	276.7	46,500 *	64.9	280.0	50,900 *	66.4	281.4	53,100 *													105	
110	60.7	274.0	44,200 *	63.3	277.5	48,400 *	64.8	279.1	50,700 *													110	
115	59.1	271.0	41,900 *	61.7	274.9	46,000 *	63.3	276.6	48,200 *													115	
120	57.4	267.9	39,300 *	60.1	272.1	43,600 *	61.6	274.0	45,900 *													120	
130	53.9	260.9	34,600 *	56.7	265.8	38,300 *	58.3	268.1	40,900 *	60.9	270.9	44,700 *										130	
140	50.2	253.0	30,700 *	53.2	258.7	33,800 *	54.9	261.4	35,900 *	57.6	264.9	39,700 *										140	
150	46.4	244.0	27,300 *	49.5	250.6	30,000 *	51.3	253.8	31,800 *	54.1	258.0	35,000 *	56.8	260.8	38,600 *							150	
160	42.2	233.6	24,400 *	45.6	241.3	26,700 *	47.5	245.1	28,300 *	50.5	250.2	31,000 *	53.3	253.7	34,000 *							160	
170	37.7	221.5	21,900 *	41.4	230.6	23,900 *	43.4	235.1	25,200 *	46.6	241.2	27,600 *	49.6	245.6	30,200 *	52.3	248.5	32,900 *				170	
180	32.7	207.2	19,600 *	36.8	218.2	21,400 *	39.0	223.6	22,600 *	42.5	230.9	24,600 *	45.7	236.4	26,900 *	48.6	240.1	29,300 *				180	
190	26.9	189.5	17,600 *	31.6	203.2	19,200 *	34.2	209.9	20,200 *	38.0	219.0	22,100 *	41.5	225.7	24,000 *	44.6	230.6	26,100 *	47.4	233.7	28,300 *	190	
200	19.5	165.7	15,700 *	25.6	184.6	17,200 *	28.6	193.3	18,100 *	33.1	204.8	19,700 *	36.9	213.3	21,500 *	40.3	219.5	23,300 *	43.4	223.7	25,300 *	200	
210																							210
220	6.3	120.7	11,600 *	17.7	159.0	15,400 *	21.8	171.7	16,200 *	27.3	187.3	17,700 *	31.8	198.5	19,200 *	35.6	206.5	20,900 *	39.0	212.1	22,600 *	220	
230																							230
240																							240
250																							250



# Liftcrane Luffing Jib Capacities

# M-250 SERIES 3

Luffing Jib No. 133 or No. 133A On  
 Boom No. 44 With Heavy Lift Top  
 248,700 Lb. Crane Counterweight  
 120,000 Lb. Carbody Counterweight  
 360 Degree Rating

Designed And Tested  
 With The Intent To Be In  
 The Scope of ANSI B30.5

## 100 Ft. Boom, 70 Ft. Jib

Jib Oper. Rad. Feet	88 Degree Boom Angle			83 Degree Boom Angle			80 Degree Boom Angle			75 Degree Boom Angle			70 Degree Boom Angle			65 Degree Boom Angle			60 Degree Boom Angle			Jib Oper. Rad. Feet
	Jib Ang. Deg.	Jib Point Elev. Feet	Luffing Jib Capacity Pounds	Jib Ang. Deg.	Jib Point Elev. Feet	Luffing Jib Capacity Pounds	Jib Ang. Deg.	Jib Point Elev. Feet	Luffing Jib Capacity Pounds	Jib Ang. Deg.	Jib Point Elev. Feet	Luffing Jib Capacity Pounds	Jib Ang. Deg.	Jib Point Elev. Feet	Luffing Jib Capacity Pounds	Jib Ang. Deg.	Jib Point Elev. Feet	Luffing Jib Capacity Pounds	Jib Ang. Deg.	Jib Point Elev. Feet	Luffing Jib Capacity Pounds	
38	68.7	174.9	175,800 *b																			38
40	66.9	174.0	169,100 *b																			40
45	62.4	171.6	153,900 *b																			45
50	57.6	168.6	136,700 *b	65.9	172.7	164,200 *b																50
55	52.5	164.9	119,500 *	61.3	170.1	149,900 *b	66.2	172.0	173,100 *b													55
60	47.1	160.5	105,900 *	56.5	167.0	132,500 *b	61.6	169.4	155,600 *b													60
65	41.1	155.2	94,900 *	51.4	163.2	116,200 *	56.8	166.3	134,000 *b													65
70	34.2	148.5	85,900 *	45.8	158.6	103,300 *	51.7	162.6	117,400 *	60.4	166.6	142,100 b										70
75	25.8	139.4	78,200 *	39.7	153.0	92,800 *	46.1	158.0	104,300 *	55.5	163.4	129,300 *										75
80	12.6	124.1	71,700 *	32.5	145.9	84,100 *	40.0	152.5	93,700 *	50.3	159.4	113,700 *										80
85				23.5	136.0	76,700 *	33.0	145.5	84,800 *	44.6	154.7	101,300 *	53.9	159.4	108,500							85
90				6.3	115.8	70,400 *	24.1	135.9	77,400 *	38.3	148.8	91,200 *	48.6	155.3	101,100							90
95							8.4	117.5	71,000 *	30.9	141.2	82,800 *	42.8	150.2	94,600	52.0	154.5	91,900				95
100										21.2	130.5	75,700 *	36.2	143.9	88,500 *	46.5	150.0	86,300				100
105													28.2	135.6	80,500 *	40.5	144.6	81,300				105
110													17.1	123.0	73,700 *	33.5	137.7	76,700	44.0	143.6	74,600	110
115																24.8	128.3	72,600	37.6	137.6	70,600	115
120																10.4	111.5	68,700	30.1	129.9	66,900	120



# Liftcrane Luffing Jib Capacities

Luffing Jib No. 133 or No. 133A On  
 Boom No. 44 With Heavy Lift Top  
 248,700 Lb. Crane Counterweight  
 120,000 Lb. Carbody Counterweight  
 360 Degree Rating

Designed And Tested  
 With The Intent To Be In  
 The Scope of ANSI B30.5

## M-250 SERIES 3

### 100 Ft. Boom, 80 Ft. Jib

Jib Oper. Rad. Feet	88 Degree Boom Angle			83 Degree Boom Angle			80 Degree Boom Angle			75 Degree Boom Angle			70 Degree Boom Angle			65 Degree Boom Angle			60 Degree Boom Angle			Jib Oper. Rad. Feet
	Jib Ang. Deg.	Jib Point Elev. Feet	Luffing Jib Capacity Pounds	Jib Ang. Deg.	Jib Point Elev. Feet	Luffing Jib Capacity Pounds	Jib Ang. Deg.	Jib Point Elev. Feet	Luffing Jib Capacity Pounds	Jib Ang. Deg.	Jib Point Elev. Feet	Luffing Jib Capacity Pounds	Jib Ang. Deg.	Jib Point Elev. Feet	Luffing Jib Capacity Pounds	Jib Ang. Deg.	Jib Point Elev. Feet	Luffing Jib Capacity Pounds	Jib Ang. Deg.	Jib Point Elev. Feet	Luffing Jib Capacity Pounds	
38	71.5	185.6	171,700 *b																			38
40	70.0	184.9	165,200 *b																			40
45	66.1	182.8	150,700 *b																			45
50	62.1	180.2	137,500 *b	69.1	183.6	160,700 *b																50
55	57.9	177.2	120,200 *	65.2	181.4	147,100 *b																55
60	53.5	173.7	106,500 *	61.2	178.8	133,300 *b	65.4	180.7	155,300 *b													60
65	48.9	169.5	95,400 *	56.9	175.7	116,900 *	61.4	178.1	134,800 *b													65
70	43.8	164.6	86,200 *	52.5	172.0	103,800 *	57.2	175.0	118,100 *													70
75	38.3	158.7	78,600 *	47.8	167.7	93,200 *	52.8	171.4	104,800 *	60.3	175.3	129,900										75
80	31.9	151.3	72,000 *	42.7	162.6	84,500 *	48.1	167.1	94,100 *	56.1	172.1	114,300 *										80
85	24.0	141.5	66,400 *	36.9	156.4	77,100 *	43.0	162.0	85,200 *	51.6	168.3	101,800 *										85
90	11.7	125.1	61,400 *	30.3	148.6	70,700 *	37.3	155.9	77,700 *	46.8	163.8	91,600 *	54.7	168.2	100,600							90
95				21.9	138.0	65,200 *	30.7	148.2	71,300 *	41.5	158.5	83,100 *	50.1	164.2	94,100							95
100				5.8	116.2	60,400 *	22.4	137.8	65,700 *	35.7	152.0	75,900 *	45.2	159.5	88,300							100
105							7.8	118.1	60,800 *	28.8	143.8	69,800 *	39.8	153.9	80,800 *	48.4	159.1	80,700				105
110										19.7	132.2	64,400 *	33.7	146.9	74,000 *	43.3	154.1	76,200				110
115													26.3	138.0	68,100 *	37.7	148.0	72,100	46.3	152.8	70,000	115
120													15.9	124.4	63,000 *	31.2	140.5	68,400	41.0	147.4	66,400	120
130																9.7	112.3	61,300 *	28.0	132.3	60,000	130



# Liftcrane Luffing Jib Capacities

# M-250 SERIES 3

Luffing Jib No. 133 or No. 133A On  
 Boom No. 44 With Heavy Lift Top  
 248,700 Lb. Crane Counterweight  
 120,000 Lb. Carbody Counterweight  
 360 Degree Rating

Designed And Tested  
 With The Intent To Be In  
 The Scope of ANSI B30.5

## 100 Ft. Boom, 90 Ft. Jib

Jib Oper. Rad. Feet	88 Degree Boom Angle			83 Degree Boom Angle			80 Degree Boom Angle			75 Degree Boom Angle			70 Degree Boom Angle			65 Degree Boom Angle			60 Degree Boom Angle			Jib Oper. Rad. Feet
	Jib Ang. Deg.	Jib Point Elev. Feet	Luffing Jib Capacity Pounds	Jib Ang. Deg.	Jib Point Elev. Feet	Luffing Jib Capacity Pounds	Jib Ang. Deg.	Jib Point Elev. Feet	Luffing Jib Capacity Pounds	Jib Ang. Deg.	Jib Point Elev. Feet	Luffing Jib Capacity Pounds	Jib Ang. Deg.	Jib Point Elev. Feet	Luffing Jib Capacity Pounds	Jib Ang. Deg.	Jib Point Elev. Feet	Luffing Jib Capacity Pounds	Jib Ang. Deg.	Jib Point Elev. Feet	Luffing Jib Capacity Pounds	
38	73.6	196.1	167,300 *b																			38
40	72.3	195.5	161,200 *b																			40
45	68.9	193.6	147,400 *b																			45
50	65.4	191.5	135,600 *b																			50
55	61.9	188.9	120,700 *	68.1	192.4	144,200 *b																55
60	58.1	185.9	106,900 *	64.6	190.1	133,000 *																60
65	54.3	182.5	95,700 *	61.0	187.4	117,400 *	64.8	189.4	135,400 *													65
70	50.2	178.5	86,500 *	57.3	184.4	104,200 *	61.2	186.7	118,500 *													70
75	45.9	173.8	78,800 *	53.4	180.8	93,600 *	57.5	183.7	105,200 *													75
80	41.2	168.4	72,200 *	49.3	176.7	84,700 *	53.6	180.2	94,400 *	60.3	183.9	114,800 *										80
85	36.0	162.0	66,500 *	44.9	171.9	77,300 *	49.5	176.1	85,400 *	56.5	180.8	102,200 *										85
90	30.0	154.0	61,500 *	40.1	166.3	70,900 *	45.1	171.3	77,900 *	52.6	177.1	91,900 *										90
95	22.6	143.5	57,200 *	34.7	159.5	65,400 *	40.3	165.7	71,400 *	48.4	172.8	83,300 *	55.3	176.9	93,700							95
100	11.0	126.0	53,300 *	28.5	151.1	60,600 *	35.0	159.1	65,900 *	43.9	167.9	76,100 *	51.3	173.1	87,900							100
105				20.6	139.7	56,300 *	28.9	150.8	61,000 *	39.0	162.1	69,900 *	47.0	168.6	81,000 *							105
110				5.5	116.6	52,500 *	21.1	139.7	56,700 *	33.5	155.0	64,600 *	42.5	163.4	74,200 *	49.8	168.0	75,800				110
115							7.3	118.7	52,800 *	27.0	146.2	59,900 *	37.4	157.3	68,200 *	45.4	163.3	71,700				115
120										18.5	133.8	55,700 *	31.7	149.8	63,100 *	40.7	157.8	68,000	48.0	161.9	65,900	120
130													15.0	125.6	54,500 *	29.4	143.1	61,400 *	38.5	150.9	59,700	130
140																9.1	113.0	53,200 *	26.4	134.7	54,300	140



# Liftcrane Luffing Jib Capacities

Luffing Jib No. 133 or No. 133A On  
 Boom No. 44 With Heavy Lift Top  
 248,700 Lb. Crane Counterweight  
 120,000 Lb. Carbody Counterweight  
 360 Degree Rating

Designed And Tested  
 With The Intent To Be In  
 The Scope of ANSI B30.5

## M-250 SERIES 3

### 100 Ft. Boom, 100 Ft. Jib

Jib Oper. Rad. Feet	88 Degree Boom Angle			83 Degree Boom Angle			80 Degree Boom Angle			75 Degree Boom Angle			70 Degree Boom Angle			65 Degree Boom Angle			60 Degree Boom Angle			Jib Oper. Rad. Feet
	Jib Ang. Deg.	Jib Point Elev. Feet	Luffing Jib Capacity Pounds	Jib Ang. Deg.	Jib Point Elev. Feet	Luffing Jib Capacity Pounds	Jib Ang. Deg.	Jib Point Elev. Feet	Luffing Jib Capacity Pounds	Jib Ang. Deg.	Jib Point Elev. Feet	Luffing Jib Capacity Pounds	Jib Ang. Deg.	Jib Point Elev. Feet	Luffing Jib Capacity Pounds	Jib Ang. Deg.	Jib Point Elev. Feet	Luffing Jib Capacity Pounds	Jib Ang. Deg.	Jib Point Elev. Feet	Luffing Jib Capacity Pounds	
38	75.3	206.6	156,000 *b																			38
40	74.1	206.0	152,800 *b																			40
45	71.1	204.3	143,900 *b																			45
50	68.0	202.4	132,600 *																			50
55	64.9	200.1	120,800 *	70.4	203.1	141,000 *b																55
60	61.7	197.6	106,900 *	67.3	201.1	130,400 *																60
65	58.3	194.6	95,700 *	64.2	198.8	117,500 *	67.5	200.4	135,600 *													65
70	54.9	191.2	86,500 *	60.9	196.1	104,300 *	64.4	198.1	118,600 *													70
75	51.3	187.3	78,700 *	57.6	193.0	93,500 *	61.1	195.4	105,200 *													75
80	47.4	182.9	72,100 *	54.1	189.6	84,700 *	57.8	192.4	94,300 *													80
85	43.4	177.9	66,400 *	50.4	185.6	77,200 *	54.3	188.9	85,300 *	60.2	192.6	102,200 *										85
90	38.9	172.0	61,400 *	46.5	181.0	70,800 *	50.6	185.0	77,700 *	56.9	189.5	91,800 *										90
95	34.0	165.0	57,000 *	42.4	175.8	65,200 *	46.8	180.4	71,300 *	53.3	185.9	83,200 *										95
100	28.4	156.5	53,100 *	37.9	169.7	60,400 *	42.6	175.3	65,700 *	49.6	181.8	76,000 *	55.8	185.6	87,400							100
105	21.4	145.4	49,700 *	32.8	162.5	56,100 *	38.2	169.2	60,800 *	45.7	177.1	69,800 *	52.2	181.9	80,900 *							105
110	10.4	126.9	46,500 *	27.0	153.5	52,400 *	33.1	162.1	56,500 *	41.5	171.7	64,400 *	48.5	177.6	74,000 *							110
115				19.5	141.4	49,000 *	27.3	153.2	52,700 *	36.9	165.4	59,700 *	44.5	172.8	68,100 *	50.9	176.9	71,100				115
120				5.1	117.0	45,800 *	20.0	141.4	49,300 *	31.7	157.9	55,500 *	40.1	167.1	62,900 *	47.1	172.4	67,500				120
130										17.5	135.3	48,500 *	30.0	152.5	54,400 *	38.5	161.3	61,000	45.3	166.1	59,100	130
140													14.2	126.9	47,600 *	27.8	145.6	53,100 *	36.4	154.2	53,800	140
150																8.6	113.7	46,500 *	24.9	136.9	49,200	150



# Liftcrane Luffing Jib Capacities

## M-250 SERIES 3

Luffing Jib No. 133 or No. 133A On  
 Boom No. 44 With Heavy Lift Top  
 248,700 Lb. Crane Counterweight  
 120,000 Lb. Carbody Counterweight  
 360 Degree Rating

Designed And Tested  
 With The Intent To Be In  
 The Scope of ANSI B30.5

### 100 Ft. Boom, 110 Ft. Jib

Jib Oper. Rad. Feet	88 Degree Boom Angle			83 Degree Boom Angle			80 Degree Boom Angle			75 Degree Boom Angle			70 Degree Boom Angle			65 Degree Boom Angle			60 Degree Boom Angle			Jib Oper. Rad. Feet
	Jib Ang. Deg.	Jib Point Elev. Feet	Luffing Jib Capacity Pounds	Jib Ang. Deg.	Jib Point Elev. Feet	Luffing Jib Capacity Pounds	Jib Ang. Deg.	Jib Point Elev. Feet	Luffing Jib Capacity Pounds	Jib Ang. Deg.	Jib Point Elev. Feet	Luffing Jib Capacity Pounds	Jib Ang. Deg.	Jib Point Elev. Feet	Luffing Jib Capacity Pounds	Jib Ang. Deg.	Jib Point Elev. Feet	Luffing Jib Capacity Pounds	Jib Ang. Deg.	Jib Point Elev. Feet	Luffing Jib Capacity Pounds	
40	75.6	216.4	144,200 *b																			40
45	72.9	214.9	138,000 *b																			45
50	70.1	213.2	129,300 *																			50
55	67.3	211.1	119,900 *																			55
60	64.5	208.8	110,100 *	69.5	211.9	127,200 *																60
65	61.5	206.2	98,400 *	66.7	209.8	118,400 *																65
70	58.5	203.2	88,900 *	63.8	207.5	107,300 *	66.9	209.1	122,100 *													70
75	55.4	199.9	80,800 *	60.8	204.8	96,200 *	64.0	206.7	108,200 *													75
80	52.1	196.1	74,000 *	57.8	201.7	87,000 *	61.0	204.1	96,900 *													80
85	48.7	191.9	68,100 *	54.6	198.3	79,200 *	58.0	201.0	87,600 *													85
90	45.1	187.1	63,000 *	51.3	194.4	72,600 *	54.8	197.6	79,800 *	60.2	201.3	94,400 *										90
95	41.2	181.6	58,500 *	47.9	190.1	66,900 *	51.5	193.8	73,100 *	57.2	198.1	85,500 *										95
100	37.0	175.4	54,500 *	44.2	185.1	61,900 *	48.1	189.5	67,400 *	54.0	194.6	78,000 *										100
105	32.4	167.9	50,900 *	40.3	179.5	57,600 *	44.4	184.6	62,300 *	50.6	190.7	71,600 *	56.2	194.3	81,700							105
110	27.0	158.9	47,700 *	36.0	173.0	53,700 *	40.5	179.0	57,900 *	47.2	186.2	66,000 *	53.0	190.7	75,900 *							110
115	20.3	147.1	44,800 *	31.2	165.3	50,200 *	36.3	172.5	54,000 *	43.4	181.1	61,200 *	49.6	186.6	69,800 *							115
120	9.9	127.7	40,100 *	25.7	155.8	47,100 *	31.5	164.9	50,500 *	39.5	175.3	56,900 *	46.0	181.9	64,500 *	51.8	185.7	67,000				120
130				4.8	117.3	39,500 *	19.0	143.0	44,500 *	30.2	160.6	49,700 *	38.2	170.6	55,700 *	44.7	176.6	60,500				130
140										16.7	136.7	43,800 *	28.5	155.0	48,700 *	36.6	164.7	54,300 *	43.1	170.1	53,300	140
150													13.5	128.0	43,100 *	26.4	147.9	47,600 *	34.7	157.4	48,700	150
160																8.1	114.4	42,100 *	23.7	139.0	44,800	160



# Liftcrane Luffing Jib Capacities

Luffing Jib No. 133 or No. 133A On  
 Boom No. 44 With Heavy Lift Top  
 248,700 Lb. Crane Counterweight  
 120,000 Lb. Carbody Counterweight  
 360 Degree Rating

Designed And Tested  
 With The Intent To Be In  
 The Scope of ANSI B30.5

## M-250 SERIES 3

### 100 Ft. Boom, 120 Ft. Jib

Jib Oper. Rad. Feet	88 Degree Boom Angle			83 Degree Boom Angle			80 Degree Boom Angle			75 Degree Boom Angle			70 Degree Boom Angle			65 Degree Boom Angle			60 Degree Boom Angle			Jib Oper. Rad. Feet
	Jib Ang. Deg.	Jib Point Elev. Feet	Luffing Jib Capacity Pounds	Jib Ang. Deg.	Jib Point Elev. Feet	Luffing Jib Capacity Pounds	Jib Ang. Deg.	Jib Point Elev. Feet	Luffing Jib Capacity Pounds	Jib Ang. Deg.	Jib Point Elev. Feet	Luffing Jib Capacity Pounds	Jib Ang. Deg.	Jib Point Elev. Feet	Luffing Jib Capacity Pounds	Jib Ang. Deg.	Jib Point Elev. Feet	Luffing Jib Capacity Pounds	Jib Ang. Deg.	Jib Point Elev. Feet	Luffing Jib Capacity Pounds	
45	74.4	225.4	128,700 *b																			45
50	71.9	223.8	123,500 *																			50
55	69.3	222.0	117,300 *																			55
60	66.7	219.9	109,300 *																			60
65	64.1	217.5	98,100 *	68.7	220.7	115,900 *																65
70	61.4	214.9	88,500 *	66.1	218.6	107,000 *																70
75	58.6	211.9	80,500 *	63.5	216.1	95,900 *	66.3	217.8	107,900 *													75
80	55.8	208.6	73,600 *	60.8	213.4	86,700 *	63.6	215.4	96,600 *													80
85	52.8	204.9	67,700 *	58.0	210.4	78,900 *	60.9	212.7	87,300 *													85
90	49.7	200.8	62,600 *	55.1	207.0	72,300 *	58.1	209.7	79,400 *	62.9	212.7	94,000 *										90
95	46.5	196.2	58,100 *	52.1	203.2	66,500 *	55.3	206.4	72,700 *	60.2	209.9	85,100 *										95
100	43.0	191.1	54,100 *	49.0	199.0	61,600 *	52.3	202.6	67,000 *	57.4	206.8	77,600 *										100
105	39.4	185.3	50,500 *	45.7	194.3	57,200 *	49.2	198.4	61,900 *	54.5	203.4	71,200 *										105
110	35.4	178.6	47,300 *	42.2	189.0	53,300 *	45.9	193.8	57,500 *	51.5	199.5	65,600 *	56.5	203.0	75,600 *							110
115	30.9	170.7	44,400 *	38.5	183.0	49,800 *	42.4	188.5	53,600 *	48.3	195.2	60,700 *	53.6	199.4	69,400 *							115
120	25.8	161.2	41,800 *	34.4	176.1	46,700 *	38.7	182.5	50,100 *	45.0	190.4	56,500 *	50.5	195.4	64,100 *							120
130	9.4	128.5	35,400 *	24.5	158.0	41,300 *	30.1	167.6	44,100 *	37.7	178.8	49,300 *	44.0	186.0	55,300 *	49.4	190.4	60,000				130
140				4.6	117.7	34,900 *	18.2	144.6	39,200 *	28.8	163.2	43,400 *	36.5	173.9	48,300 *	42.7	180.5	53,900 *	48.0	184.2	52,700	140
150										15.9	138.1	38,600 *	27.2	157.4	42,700 *	35.0	167.8	47,200 *	41.1	173.9	48,200	150
160													12.9	129.1	37,900 *	25.3	150.1	41,800 *	33.1	160.4	44,300	160
170																7.7	115.0	37,200 *	22.7	141.0	40,700 *	170





# Liftcrane Luffing Jib Capacities

# M-250 SERIES 3

Luffing Jib No. 133 or No. 133A On  
 Boom No. 44 With Heavy Lift Top  
 248,700 Lb. Crane Counterweight  
 120,000 Lb. Carbody Counterweight  
 360 Degree Rating

Designed And Tested  
 With The Intent To Be In  
 The Scope of ANSI B30.5

## 100 Ft. Boom, 130 Ft. Jib

Jib Oper. Rad. Feet	88 Degree Boom Angle			83 Degree Boom Angle			80 Degree Boom Angle			75 Degree Boom Angle			70 Degree Boom Angle			65 Degree Boom Angle			60 Degree Boom Angle			Jib Oper. Rad. Feet
	Jib Ang. Deg.	Jib Point Elev. Feet	Luffing Jib Capacity Pounds	Jib Ang. Deg.	Jib Point Elev. Feet	Luffing Jib Capacity Pounds	Jib Ang. Deg.	Jib Point Elev. Feet	Luffing Jib Capacity Pounds	Jib Ang. Deg.	Jib Point Elev. Feet	Luffing Jib Capacity Pounds	Jib Ang. Deg.	Jib Point Elev. Feet	Luffing Jib Capacity Pounds	Jib Ang. Deg.	Jib Point Elev. Feet	Luffing Jib Capacity Pounds	Jib Ang. Deg.	Jib Point Elev. Feet	Luffing Jib Capacity Pounds	
45	75.6	235.7	119,300 *																			45
50	73.3	234.3	114,700 *																			50
55	71.0	232.6	110,300 *																			55
60	68.6	230.7	106,000 *																			60
65	66.2	228.6	98,900 *	70.5	231.4	110,500 *																65
70	63.8	226.2	89,200 *	68.1	229.5	105,700 *																70
75	61.3	223.5	81,000 *	65.7	227.3	96,600 *																75
80	58.7	220.6	74,000 *	63.2	224.8	87,200 *	65.8	226.5	97,400 *													80
85	56.1	217.3	68,000 *	60.7	222.1	79,400 *	63.4	224.1	87,900 *													85
90	53.4	213.7	62,800 *	58.1	219.1	72,600 *	60.9	221.4	79,900 *													90
95	50.6	209.7	58,300 *	55.5	215.7	66,800 *	58.3	218.4	73,100 *	62.7	221.4	85,700 *										95
100	47.6	205.3	54,200 *	52.8	212.0	61,800 *	55.6	215.1	67,300 *	60.2	218.6	78,000 *										100
105	44.5	200.4	50,600 *	49.9	207.9	57,300 *	52.9	211.4	62,200 *	57.6	215.5	71,500 *										105
110	41.2	194.9	47,400 *	46.9	203.4	53,400 *	50.1	207.3	57,700 *	54.9	212.1	65,900 *										110
115	37.7	188.7	44,500 *	43.8	198.4	49,900 *	47.1	202.8	53,700 *	52.2	208.3	61,000 *	56.8	211.7	69,700 *							115
120	33.9	181.6	41,800 *	40.5	192.7	46,700 *	44.0	197.8	50,200 *	49.3	204.1	56,600 *	54.1	208.2	64,300 *							120
130	24.8	163.4	37,200 *	33.0	179.1	41,300 *	37.1	185.9	44,100 *	43.1	194.4	49,300 *	48.4	200.0	55,400 *							130
140	9.0	129.2	31,600 *	23.5	160.0	36,800 *	28.9	170.2	39,200 *	36.1	182.0	43,500 *	42.1	189.9	48,400 *	47.3	194.8	54,100 *				140
150				4.4	118.0	31,200 *	17.4	146.1	35,000 *	27.7	165.6	38,600 *	35.0	177.1	42,700 *	40.9	184.3	47,300 *	46.0	188.5	48,000	150
160										15.3	139.4	34,500 *	26.1	159.7	37,900 *	33.5	170.8	41,800 *	39.4	177.5	44,100	160
170													12.3	130.1	33,900 *	24.2	152.3	37,200 *	31.8	163.2	40,600 *	170
180																7.4	115.6	33,300 *	21.8	142.9	36,300 *	180



# Liftcrane Luffing Jib Capacities

Luffing Jib No. 133 or No. 133A On  
 Boom No. 44 With Heavy Lift Top  
 248,700 Lb. Crane Counterweight  
 120,000 Lb. Carbody Counterweight  
 360 Degree Rating

Designed And Tested  
 With The Intent To Be In  
 The Scope of ANSI B30.5

## M-250 SERIES 3

### 100 Ft. Boom, 140 Ft. Jib

Jib Oper. Rad. Feet	88 Degree Boom Angle			83 Degree Boom Angle			80 Degree Boom Angle			75 Degree Boom Angle			70 Degree Boom Angle			65 Degree Boom Angle			60 Degree Boom Angle			Jib Oper. Rad. Feet
	Jib Ang. Deg.	Jib Point Elev. Feet	Luffing Jib Capacity Pounds	Jib Ang. Deg.	Jib Point Elev. Feet	Luffing Jib Capacity Pounds	Jib Ang. Deg.	Jib Point Elev. Feet	Luffing Jib Capacity Pounds	Jib Ang. Deg.	Jib Point Elev. Feet	Luffing Jib Capacity Pounds	Jib Ang. Deg.	Jib Point Elev. Feet	Luffing Jib Capacity Pounds	Jib Ang. Deg.	Jib Point Elev. Feet	Luffing Jib Capacity Pounds	Jib Ang. Deg.	Jib Point Elev. Feet	Luffing Jib Capacity Pounds	
50	74.5	244.7	107,500 *																			50
55	72.4	243.2	103,500 *																			55
60	70.2	241.4	99,700 *																			60
65	68.0	239.5	96,000 *																			65
70	65.8	237.3	88,800 *	69.7	240.2	100,000 *																70
75	63.5	234.9	80,500 *	67.5	238.2	96,300 *																75
80	61.2	232.2	73,600 *	65.3	236.0	86,800 *	67.7	237.5	97,000 *													80
85	58.8	229.2	67,600 *	63.0	233.5	78,900 *	65.4	235.2	87,500 *													85
90	56.4	226.0	62,400 *	60.7	230.7	72,200 *	63.1	232.8	79,500 *													90
95	53.9	222.5	57,800 *	58.3	227.7	66,400 *	60.8	230.0	72,700 *													95
100	51.3	218.6	53,800 *	55.8	224.4	61,300 *	58.4	227.1	66,800 *	62.5	230.0	77,600 *										100
105	48.6	214.3	50,200 *	53.3	220.8	56,900 *	56.0	223.8	61,700 *	60.2	227.2	71,100 *										105
110	45.8	209.5	46,900 *	50.7	216.8	53,000 *	53.4	220.2	57,200 *	57.8	224.2	65,400 *										110
115	42.8	204.3	44,000 *	48.0	212.4	49,400 *	50.8	216.2	53,300 *	55.3	220.8	60,500 *										115
120	39.7	198.5	41,400 *	45.1	207.6	46,300 *	48.1	211.8	49,700 *	52.8	217.1	56,200 *	57.0	220.4	63,900 *							120
130	32.6	184.5	36,800 *	38.9	196.3	40,800 *	42.3	201.7	43,700 *	47.4	208.6	48,900 *	52.0	213.1	55,000 *							130
140	23.8	165.5	32,900 *	31.8	181.9	36,300 *	35.7	189.1	38,700 *	41.5	198.2	43,000 *	46.5	204.3	47,900 *	51.0	208.1	53,600 *				140
150	8.7	129.9	28,000 *	22.6	162.0	32,500 *	27.8	172.6	34,500 *	34.8	185.2	38,100 *	40.5	193.6	42,200 *	45.5	199.0	46,800 *				150
160				4.2	118.3	27,700 *	16.8	147.6	30,900 *	26.6	168.0	34,000 *	33.6	180.1	37,500 *	39.4	187.9	41,300 *	44.2	192.6	43,500	160
170										14.7	140.7	30,500 *	25.2	162.0	33,500 *	32.3	173.7	36,700 *	37.9	180.9	40,000 *	170
180													11.9	131.1	30,100 *	23.3	154.3	32,900 *	30.6	165.9	35,900 *	180
190																7.1	116.2	29,500 *	20.9	144.7	32,100 *	190



# Liftcrane Luffing Jib Capacities

# M-250 SERIES 3

Luffing Jib No. 133 or No. 133A On  
 Boom No. 44 With Heavy Lift Top  
 248,700 Lb. Crane Counterweight  
 120,000 Lb. Carbody Counterweight  
 360 Degree Rating

Designed And Tested  
 With The Intent To Be In  
 The Scope of ANSI B30.5

## 100 Ft. Boom, 150 Ft. Jib

Jib Oper. Rad. Feet	88 Degree Boom Angle			83 Degree Boom Angle			80 Degree Boom Angle			75 Degree Boom Angle			70 Degree Boom Angle			65 Degree Boom Angle			60 Degree Boom Angle			Jib Oper. Rad. Feet
	Jib Ang. Deg.	Jib Point Elev. Feet	Luffing Jib Capacity Pounds	Jib Ang. Deg.	Jib Point Elev. Feet	Luffing Jib Capacity Pounds	Jib Ang. Deg.	Jib Point Elev. Feet	Luffing Jib Capacity Pounds	Jib Ang. Deg.	Jib Point Elev. Feet	Luffing Jib Capacity Pounds	Jib Ang. Deg.	Jib Point Elev. Feet	Luffing Jib Capacity Pounds	Jib Ang. Deg.	Jib Point Elev. Feet	Luffing Jib Capacity Pounds	Jib Ang. Deg.	Jib Point Elev. Feet	Luffing Jib Capacity Pounds	
50	75.6	255.1	102,500 *																			50
55	73.6	253.7	99,100 *																			55
60	71.6	252.1	95,800 *																			60
65	69.6	250.2	92,600 *																			65
70	67.5	248.2	89,500 *																			70
75	65.4	246.0	81,400 *	69.1	249.0	92,900 *																75
80	63.3	243.5	74,300 *	67.0	246.9	87,700 *																80
85	61.1	240.9	68,200 *	64.9	244.7	79,700 *	67.2	246.2	88,300 *													85
90	58.9	237.9	62,900 *	62.8	242.2	72,900 *	65.1	243.9	80,200 *													90
95	56.6	234.7	58,300 *	60.6	239.4	67,000 *	62.9	241.4	73,400 *													95
100	54.3	231.2	54,200 *	58.4	236.4	61,900 *	60.7	238.7	67,400 *													100
105	51.9	227.4	50,600 *	56.1	233.1	57,400 *	58.5	235.7	62,200 *	62.4	238.7	71,700 *										105
110	49.4	223.2	47,300 *	53.8	229.5	53,400 *	56.2	232.5	57,700 *	60.2	235.9	66,000 *										110
115	46.8	218.6	44,300 *	51.3	225.7	49,800 *	53.9	228.9	53,700 *	57.9	232.8	61,000 *										115
120	44.1	213.6	41,700 *	48.8	221.4	46,600 *	51.5	225.0	50,100 *	55.6	229.5	56,600 *										120
130	38.2	202.0	37,000 *	43.5	211.6	41,100 *	46.4	216.2	44,000 *	50.8	221.9	49,200 *	54.9	225.6	55,400 *							130
140	31.5	187.4	33,100 *	37.5	199.7	36,500 *	40.8	205.5	38,900 *	45.7	212.8	43,300 *	50.1	217.8	48,200 *							140
150	23.0	167.5	29,700 *	30.6	184.7	32,700 *	34.4	192.2	34,700 *	40.0	201.8	38,300 *	44.8	208.5	42,500 *	49.2	212.7	47,100 *				150
160	8.3	130.6	24,000 *	21.8	163.9	29,400 *	26.8	175.0	31,100 *	33.5	188.2	34,200 *	39.1	197.2	37,700 *	43.8	203.1	41,600 *				160
170				4.1	118.7	23,800 *	16.2	149.0	27,800 *	25.7	170.3	30,600 *	32.4	183.0	33,700 *	37.9	191.3	36,900 *	42.6	196.5	39,400 *	170
180										14.2	141.9	27,400 *	24.3	164.1	30,100 *	31.1	176.5	33,000 *	36.6	184.2	36,000 *	180
190													11.4	132.1	26,900 *	22.5	156.3	29,500 *	29.5	168.6	32,200 *	190
200																6.9	116.8	26,300 *	20.2	146.5	28,800 *	200



# Liftcrane Luffing Jib Capacities

Luffing Jib No. 133 or No. 133A On  
 Boom No. 44 With Heavy Lift Top  
 248,700 Lb. Crane Counterweight  
 120,000 Lb. Carbody Counterweight  
 360 Degree Rating

Designed And Tested  
 With The Intent To Be In  
 The Scope of ANSI B30.5

## M-250 SERIES 3

### 100 Ft. Boom, 160 Ft. Jib

Jib Oper. Rad. Feet	88 Degree Boom Angle			83 Degree Boom Angle			80 Degree Boom Angle			75 Degree Boom Angle			70 Degree Boom Angle			65 Degree Boom Angle			60 Degree Boom Angle			Jib Oper. Rad. Feet
	Jib Ang. Deg.	Jib Point Elev. Feet	Luffing Jib Capacity Pounds	Jib Ang. Deg.	Jib Point Elev. Feet	Luffing Jib Capacity Pounds	Jib Ang. Deg.	Jib Point Elev. Feet	Luffing Jib Capacity Pounds	Jib Ang. Deg.	Jib Point Elev. Feet	Luffing Jib Capacity Pounds	Jib Ang. Deg.	Jib Point Elev. Feet	Luffing Jib Capacity Pounds	Jib Ang. Deg.	Jib Point Elev. Feet	Luffing Jib Capacity Pounds	Jib Ang. Deg.	Jib Point Elev. Feet	Luffing Jib Capacity Pounds	
55	74.7	264.1	92,900 *																			55
60	72.8	262.6	90,000 *																			60
65	70.9	260.9	87,000 *																			65
70	69.0	259.0	84,200 *																			70
75	67.0	257.0	80,900 *	70.5	259.7	87,000 *																75
80	65.1	254.7	73,800 *	68.5	257.8	84,400 *																80
85	63.1	252.2	67,700 *	66.6	255.7	79,200 *																85
90	61.0	249.5	62,400 *	64.6	253.3	72,400 *	66.7	254.9	79,700 *													90
95	59.0	246.6	57,800 *	62.6	250.8	66,500 *	64.7	252.6	72,800 *													95
100	56.8	243.4	53,700 *	60.6	248.1	61,400 *	62.7	250.1	66,900 *													100
105	54.7	239.9	50,000 *	58.5	245.1	56,900 *	60.7	247.4	61,700 *													105
110	52.4	236.2	46,800 *	56.4	241.8	52,900 *	58.6	244.4	57,200 *	62.2	247.4	65,500 *										110
115	50.1	232.1	43,800 *	54.2	238.3	49,300 *	56.5	241.1	53,100 *	60.2	244.6	60,500 *										115
120	47.7	227.7	41,100 *	51.9	234.5	46,100 *	54.3	237.6	49,600 *	58.1	241.5	56,100 *										120
130	42.6	217.6	36,500 *	47.2	225.8	40,600 *	49.7	229.7	43,400 *	53.7	234.6	48,700 *	57.4	237.7	54,900 *							130
140	37.0	205.4	32,500 *	42.0	215.5	36,000 *	44.8	220.3	38,400 *	49.1	226.5	42,700 *	53.0	230.7	47,700 *							140
150	30.4	190.1	29,200 *	36.3	203.0	32,200 *	39.4	209.1	34,200 *	44.1	216.9	37,800 *	48.4	222.3	41,900 *	52.2	225.7	46,600 *				150
160	22.2	169.5	26,300 *	29.6	187.3	28,800 *	33.3	195.2	30,600 *	38.7	205.4	33,700 *	43.3	212.5	37,100 *	47.5	217.2	41,000 *				160
170	8.1	131.3	21,200 *	21.1	165.8	26,000 *	26.0	177.3	27,500 *	32.4	191.1	30,200 *	37.8	200.6	33,100 *	42.4	207.0	36,400 *	46.4	210.9	38,600 *	170
180				3.9	119.0	21,100 *	15.6	150.3	24,600 *	24.8	172.4	27,100 *	31.4	185.8	29,700 *	36.7	194.7	32,500 *	41.2	200.3	35,500 *	180
190										13.7	143.1	24,200 *	23.5	166.2	26,600 *	30.1	179.2	29,100 *	35.4	187.4	31,700 *	190
200													11.1	133.1	23,800 *	21.8	158.2	26,100 *	28.5	171.1	28,400 *	200
210																6.6	117.3	23,300 *	19.5	148.2	25,500 *	210



# Liftcrane Luffing Jib Capacities

# M-250 SERIES 3

Luffing Jib No. 133 or No. 133A On  
 Boom No. 44 With Heavy Lift Top  
 248,700 Lb. Crane Counterweight  
 120,000 Lb. Carbody Counterweight  
 360 Degree Rating

Designed And Tested  
 With The Intent To Be In  
 The Scope of ANSI B30.5

## 100 Ft. Boom, 170 Ft. Jib

Jib Oper. Rad. Feet	88 Degree Boom Angle			83 Degree Boom Angle			80 Degree Boom Angle			75 Degree Boom Angle			70 Degree Boom Angle			65 Degree Boom Angle			60 Degree Boom Angle			Jib Oper. Rad. Feet
	Jib Ang. Deg.	Jib Point Elev. Feet	Luffing Jib Capacity Pounds	Jib Ang. Deg.	Jib Point Elev. Feet	Luffing Jib Capacity Pounds	Jib Ang. Deg.	Jib Point Elev. Feet	Luffing Jib Capacity Pounds	Jib Ang. Deg.	Jib Point Elev. Feet	Luffing Jib Capacity Pounds	Jib Ang. Deg.	Jib Point Elev. Feet	Luffing Jib Capacity Pounds	Jib Ang. Deg.	Jib Point Elev. Feet	Luffing Jib Capacity Pounds	Jib Ang. Deg.	Jib Point Elev. Feet	Luffing Jib Capacity Pounds	
55	75.6	274.5	86,200 *																			55
60	73.8	273.1	83,500 *																			60
65	72.1	271.5	80,900 *																			65
70	70.3	269.7	78,300 *																			70
75	68.5	267.8	75,800 *																			75
80	66.6	265.7	73,100 *	69.9	268.5	78,300 *																80
85	64.8	263.4	68,100 *	68.1	266.5	75,900 *																85
90	62.9	260.9	62,700 *	66.2	264.4	72,900 *																90
95	61.0	258.2	58,000 *	64.4	262.0	66,900 *	66.3	263.6	73,300 *													95
100	59.0	255.2	53,800 *	62.5	259.5	61,700 *	64.5	261.3	67,300 *													100
105	57.0	252.1	50,100 *	60.5	256.7	57,100 *	62.6	258.8	62,000 *													105
110	55.0	248.6	46,800 *	58.6	253.7	53,000 *	60.7	256.0	57,400 *													110
115	52.9	244.9	43,800 *	56.6	250.5	49,400 *	58.7	253.1	53,300 *	62.1	256.0	60,800 *										115
120	50.7	240.9	41,100 *	54.5	247.0	46,100 *	56.7	249.8	49,600 *	60.1	253.2	56,300 *										120
130	46.2	231.9	36,400 *	50.2	239.2	40,600 *	52.5	242.6	43,400 *	56.2	246.9	48,800 *										130
140	41.3	221.3	32,400 *	45.7	230.0	35,900 *	48.1	234.2	38,300 *	52.0	239.5	42,700 *	55.5	243.1	47,800 *							140
150	35.8	208.6	29,000 *	40.7	219.2	32,000 *	43.4	224.3	34,000 *	47.5	230.9	37,700 *	51.3	235.5	41,900 *							150
160	29.5	192.7	26,100 *	35.2	206.2	28,700 *	38.2	212.5	30,400 *	42.7	220.8	33,600 *	46.8	226.7	37,100 *	50.5	230.5	41,000 *				160
170	21.5	171.4	23,500 *	28.7	189.9	25,800 *	32.3	198.1	27,300 *	37.4	208.8	30,000 *	42.0	216.3	33,000 *	46.0	221.4	36,300 *				170
180	7.8	132.0	18,900 *	20.5	167.6	23,200 *	25.2	179.6	24,500 *	31.4	193.9	27,000 *	36.6	203.9	29,500 *	41.0	210.7	32,400 *	45.0	215.1	35,100 *	180
190				3.8	119.2	18,800 *	15.1	151.6	22,000 *	24.1	174.6	24,200 *	30.4	188.6	26,500 *	35.5	197.9	29,000 *	39.9	204.0	31,600 *	190
200										13.3	144.2	21,700 *	22.7	168.2	23,800 *	29.2	181.8	26,000 *	34.3	190.5	28,300 *	200
210													10.7	134.0	21,300 *	21.1	160.1	23,300 *	27.6	173.6	25,400 *	210
220																6.4	117.8	20,800 *	18.9	149.8	22,800 *	220



# Liftcrane Luffing Jib Capacities

Luffing Jib No. 133 or No. 133A On  
 Boom No. 44 With Heavy Lift Top  
 248,700 Lb. Crane Counterweight  
 120,000 Lb. Carbody Counterweight  
 360 Degree Rating

Designed And Tested  
 With The Intent To Be In  
 The Scope of ANSI B30.5

## M-250 SERIES 3

### 100 Ft. Boom, 180 Ft. Jib

Jib Oper. Rad. Feet	88 Degree Boom Angle			83 Degree Boom Angle			80 Degree Boom Angle			75 Degree Boom Angle			70 Degree Boom Angle			65 Degree Boom Angle			60 Degree Boom Angle			Jib Oper. Rad. Feet
	Jib Ang. Deg.	Jib Point Elev. Feet	Luffing Jib Capacity Pounds	Jib Ang. Deg.	Jib Point Elev. Feet	Luffing Jib Capacity Pounds	Jib Ang. Deg.	Jib Point Elev. Feet	Luffing Jib Capacity Pounds	Jib Ang. Deg.	Jib Point Elev. Feet	Luffing Jib Capacity Pounds	Jib Ang. Deg.	Jib Point Elev. Feet	Luffing Jib Capacity Pounds	Jib Ang. Deg.	Jib Point Elev. Feet	Luffing Jib Capacity Pounds	Jib Ang. Deg.	Jib Point Elev. Feet	Luffing Jib Capacity Pounds	
60	74.7	283.5	78,400 *																			60
65	73.1	282.0	76,000 *																			65
70	71.4	280.3	73,700 *																			70
75	69.7	278.5	71,200 *																			75
80	68.0	276.6	68,200 *	71.0	279.1	73,500 *																80
85	66.3	274.4	65,300 *	69.3	277.3	70,800 *																85
90	64.5	272.1	62,200 *	67.6	275.3	68,000 *																90
95	62.7	269.6	57,500 *	65.9	273.1	65,200 *	67.7	274.5	71,700 *													95
100	60.9	266.8	53,300 *	64.1	270.7	61,100 *	66.0	272.4	66,700 *													100
105	59.1	263.9	49,600 *	62.3	268.2	56,500 *	64.2	270.0	61,500 *													105
110	57.2	260.7	46,300 *	60.5	265.4	52,500 *	62.4	267.4	56,800 *													110
115	55.3	257.3	43,300 *	58.7	262.4	48,800 *	60.6	264.7	52,700 *													115
120	53.3	253.7	40,600 *	56.8	259.2	45,600 *	58.8	261.7	49,100 *	62.0	264.7	55,700 *										120
130	49.2	245.6	35,800 *	52.9	252.0	40,000 *	54.9	255.1	42,900 *	58.3	258.9	48,200 *										130
140	44.8	236.1	31,900 *	48.7	243.8	35,400 *	50.9	247.4	37,800 *	54.4	252.1	42,200 *	57.7	255.1	47,200 *							140
150	40.1	225.0	28,500 *	44.3	234.1	31,500 *	46.7	238.5	33,500 *	50.4	244.3	37,200 *	53.8	248.2	41,400 *							150
160	34.8	211.7	25,500 *	39.5	222.8	28,100 *	42.1	228.2	29,900 *	46.1	235.2	33,000 *	49.8	240.2	36,500 *							160
170	28.6	195.3	23,000 *	34.1	209.3	25,300 *	37.1	215.9	26,800 *	41.5	224.6	29,500 *	45.4	230.9	32,500 *	49.0	235.1	35,800 *				170
180	20.9	173.2	20,700 *	27.9	192.4	22,700 *	31.3	200.9	24,100 *	36.3	212.1	26,400 *	40.7	220.1	29,000 *	44.6	225.6	31,800 *				180
190	7.6	132.6	16,500 *	19.9	169.3	20,500 *	24.4	181.7	21,600 *	30.5	196.7	23,800 *	35.5	207.1	26,000 *	39.8	214.4	28,400 *	43.6	219.1	31,100 *	190
200				3.7	119.5	16,500 *	14.7	152.9	19,400 *	23.4	176.6	21,300 *	29.5	191.2	23,400 *	34.5	201.0	25,500 *	38.7	207.5	27,800 *	200
210										12.9	145.3	19,100 *	22.1	170.1	21,000 *	28.3	184.3	22,900 *	33.3	193.5	25,000 *	210
220													10.4	134.9	18,700 *	20.5	161.9	20,600 *	26.8	175.9	22,400 *	220
230																6.2	118.3	18,300 *	18.4	151.4	20,100 *	230



# Liftcrane Luffing Jib Capacities

# M-250 SERIES 3

Luffing Jib No. 133 or No. 133A On  
 Boom No. 44 With Heavy Lift Top  
 248,700 Lb. Crane Counterweight  
 120,000 Lb. Carbody Counterweight  
 360 Degree Rating

Designed And Tested  
 With The Intent To Be In  
 The Scope of ANSI B30.5

## 100 Ft. Boom, 190 Ft. Jib

Jib Oper. Rad. Feet	88 Degree Boom Angle			83 Degree Boom Angle			80 Degree Boom Angle			75 Degree Boom Angle			70 Degree Boom Angle			65 Degree Boom Angle			60 Degree Boom Angle			Jib Oper. Rad. Feet
	Jib Ang. Deg.	Jib Point Elev. Feet	Luffing Jib Capacity Pounds	Jib Ang. Deg.	Jib Point Elev. Feet	Luffing Jib Capacity Pounds	Jib Ang. Deg.	Jib Point Elev. Feet	Luffing Jib Capacity Pounds	Jib Ang. Deg.	Jib Point Elev. Feet	Luffing Jib Capacity Pounds	Jib Ang. Deg.	Jib Point Elev. Feet	Luffing Jib Capacity Pounds	Jib Ang. Deg.	Jib Point Elev. Feet	Luffing Jib Capacity Pounds	Jib Ang. Deg.	Jib Point Elev. Feet	Luffing Jib Capacity Pounds	
60	75.6	293.8	73,200 *																			60
65	74.0	292.4	71,500 *																			65
70	72.4	290.9	69,100 *																			70
75	70.8	289.2	66,500 *																			75
80	69.2	287.3	63,900 *																			80
85	67.6	285.3	61,200 *	70.5	288.0	66,100 *																85
90	66.0	283.1	58,500 *	68.9	286.1	63,600 *																90
95	64.3	280.8	55,900 *	67.2	284.0	61,000 *																95
100	62.6	278.2	52,800 *	65.6	281.8	58,400 *	67.3	283.3	64,100 *													100
105	60.9	275.5	49,100 *	63.9	279.4	55,800 *	65.7	281.1	61,000 *													105
110	59.1	272.6	45,800 *	62.2	276.8	52,000 *	64.0	278.7	56,300 *													110
115	57.3	269.4	42,800 *	60.5	274.0	48,400 *	62.3	276.1	52,300 *													115
120	55.5	266.1	40,100 *	58.7	271.1	45,100 *	60.6	273.3	48,600 *													120
130	51.8	258.6	35,300 *	55.1	264.5	39,500 *	57.0	267.2	42,400 *	60.1	270.5	47,700 *										130
140	47.8	250.0	31,400 *	51.3	256.9	34,900 *	53.4	260.2	37,300 *	56.6	264.3	41,700 *										140
150	43.5	240.1	28,000 *	47.3	248.2	31,000 *	49.5	252.1	33,000 *	52.9	257.1	36,700 *	56.0	260.5	40,900 *							150
160	38.9	228.6	25,000 *	43.1	238.1	27,600 *	45.4	242.7	29,400 *	49.0	248.9	32,500 *	52.3	253.1	36,000 *							160
170	33.8	214.8	22,500 *	38.4	226.3	24,800 *	40.9	231.9	26,300 *	44.8	239.4	29,000 *	48.3	244.7	32,000 *	51.6	248.2	35,300 *				170
180	27.8	197.8	20,200 *	33.2	212.3	22,200 *	36.0	219.2	23,600 *	40.3	228.3	25,900 *	44.1	235.0	28,500 *	47.6	239.5	31,300 *				180
190	20.3	175.0	18,200 *	27.1	194.8	20,000 *	30.5	203.7	21,200 *	35.3	215.3	23,300 *	39.6	223.7	25,500 *	43.3	229.6	27,900 *	46.7	233.3	30,600 *	190
200	7.4	133.2	14,400 *	19.3	171.0	18,000 *	23.7	183.8	19,000 *	29.7	199.3	20,900 *	34.5	210.2	22,900 *	38.7	217.9	25,000 *	42.4	223.0	27,300 *	200
210				3.5	119.8	14,400 *	14.3	154.1	17,000 *	22.7	178.6	18,800 *	28.7	193.7	20,600 *	33.5	204.0	22,500 *	37.7	210.9	24,500 *	210
220										12.5	146.4	16,800 *	21.5	172.0	18,400 *	27.5	186.8	20,200 *	32.3	196.4	22,000 *	220
230													10.1	135.7	16,400 *	19.9	163.6	18,100 *	26.1	178.3	19,700 *	230
240																6.0	118.8	16,100 *	17.9	153.0	17,600 *	240



# Liftcrane Luffing Jib Capacities

Luffing Jib No. 133 or No. 133A On  
 Boom No. 44 With Heavy Lift Top  
 248,700 Lb. Crane Counterweight  
 120,000 Lb. Carbody Counterweight  
 360 Degree Rating

Designed And Tested  
 With The Intent To Be In  
 The Scope of ANSI B30.5

## M-250 SERIES 3

### 100 Ft. Boom, 200 Ft. Jib

Jib Oper. Rad. Feet	88 Degree Boom Angle			83 Degree Boom Angle			80 Degree Boom Angle			75 Degree Boom Angle			70 Degree Boom Angle			65 Degree Boom Angle			60 Degree Boom Angle			Jib Oper. Rad. Feet
	Jib Ang. Deg.	Jib Point Elev. Feet	Luffing Jib Capacity Pounds	Jib Ang. Deg.	Jib Point Elev. Feet	Luffing Jib Capacity Pounds	Jib Ang. Deg.	Jib Point Elev. Feet	Luffing Jib Capacity Pounds	Jib Ang. Deg.	Jib Point Elev. Feet	Luffing Jib Capacity Pounds	Jib Ang. Deg.	Jib Point Elev. Feet	Luffing Jib Capacity Pounds	Jib Ang. Deg.	Jib Point Elev. Feet	Luffing Jib Capacity Pounds	Jib Ang. Deg.	Jib Point Elev. Feet	Luffing Jib Capacity Pounds	
65	74.8	302.8	65,400 *																			65
70	73.3	301.4	64,300 *																			70
75	71.8	299.8	61,800 *																			75
80	70.3	298.0	59,300 *																			80
85	68.8	296.1	56,700 *																			85
90	67.2	294.1	54,100 *	70.0	296.8	58,900 *																90
95	65.7	291.8	51,600 *	68.4	294.9	56,400 *																95
100	64.1	289.5	49,100 *	66.9	292.8	53,900 *																100
105	62.5	286.9	46,700 *	65.3	290.5	51,400 *	67.0	292.0	56,400 *													105
110	60.8	284.2	44,300 *	63.7	288.1	49,000 *	65.4	289.8	53,700 *													110
115	59.2	281.2	42,100 *	62.1	285.5	46,600 *	63.8	287.4	51,000 *													115
120	57.5	278.1	39,500 *	60.5	282.7	44,300 *	62.2	284.8	48,000 *													120
130	54.0	271.2	34,800 *	57.1	276.6	39,000 *	58.9	279.0	41,800 *	61.8	282.0	45,700 *										130
140	50.4	263.3	30,800 *	53.6	269.5	34,300 *	55.5	272.5	36,700 *	58.5	276.2	41,100 *										140
150	46.5	254.3	27,400 *	49.9	261.6	30,400 *	51.9	265.1	32,400 *	55.0	269.5	36,100 *	57.9	272.4	40,300 *							150
160	42.4	244.0	24,500 *	46.1	252.4	27,100 *	48.1	256.6	28,800 *	51.4	262.0	32,000 *	54.5	265.6	35,500 *							160
170	37.9	232.0	21,900 *	41.9	241.9	24,200 *	44.1	246.8	25,700 *	47.6	253.3	28,400 *	50.8	257.9	31,400 *							170
180	32.9	217.7	19,700 *	37.4	229.7	21,700 *	39.8	235.6	23,000 *	43.6	243.4	25,400 *	47.0	249.1	27,900 *	50.2	252.9	30,800 *				180
190	27.1	200.2	17,700 *	32.3	215.2	19,500 *	35.1	222.3	20,600 *	39.2	231.9	22,700 *	42.9	239.0	24,900 *	46.3	243.8	27,400 *				190
200	19.8	176.7	15,900 *	26.4	197.1	17,500 *	29.7	206.3	18,500 *	34.4	218.4	20,400 *	38.5	227.2	22,300 *	42.2	233.4	24,500 *	45.5	237.5	26,700 *	200
210	7.2	133.8	12,400 *	18.8	172.7	15,700 *	23.1	185.8	16,600 *	28.9	201.9	18,300 *	33.6	213.3	20,100 *	37.7	221.3	21,900 *	41.2	226.8	23,900 *	210
220				3.4	120.1	12,400 *	13.9	155.4	14,800 *	22.1	180.6	16,400 *	28.0	196.2	18,000 *	32.7	206.9	19,700 *	36.7	214.3	21,400 *	220
230										12.2	147.5	14,600 *	20.9	173.8	16,100 *	26.8	189.2	17,700 *	31.5	199.3	19,300 *	230
240													9.8	136.6	14,300 *	19.4	165.3	15,800 *	25.4	180.5	17,200 *	240
250																5.9	119.3	13,900 *	17.4	154.5	15,400 *	250





# Liftcrane Luffing Jib Capacities

# M-250 SERIES 3

Luffing Jib No. 133 or No. 133A On  
 Boom No. 44 With Heavy Lift Top  
 248,700 Lb. Crane Counterweight  
 120,000 Lb. Carbody Counterweight  
 360 Degree Rating

Designed And Tested  
 With The Intent To Be In  
 The Scope of ANSI B30.5

## 110 Ft. Boom, 70 Ft. Jib

Jib Oper. Rad. Feet	88 Degree Boom Angle			83 Degree Boom Angle			80 Degree Boom Angle			75 Degree Boom Angle			70 Degree Boom Angle			65 Degree Boom Angle			60 Degree Boom Angle			Jib Oper. Rad. Feet
	Jib Ang. Deg.	Jib Point Elev. Feet	Luffing Jib Capacity Pounds	Jib Ang. Deg.	Jib Point Elev. Feet	Luffing Jib Capacity Pounds	Jib Ang. Deg.	Jib Point Elev. Feet	Luffing Jib Capacity Pounds	Jib Ang. Deg.	Jib Point Elev. Feet	Luffing Jib Capacity Pounds	Jib Ang. Deg.	Jib Point Elev. Feet	Luffing Jib Capacity Pounds	Jib Ang. Deg.	Jib Point Elev. Feet	Luffing Jib Capacity Pounds	Jib Ang. Deg.	Jib Point Elev. Feet	Luffing Jib Capacity Pounds	
40	67.3	184.2	165,700 *b																			40
45	62.7	181.8	154,500 *b																			45
50	57.9	178.8	138,000 *b	67.0	183.2	161,900 *b																50
55	52.9	175.2	120,500 *	62.5	180.7	151,700 *b	67.8	182.6	166,200 *b													55
60	47.5	170.9	106,700 *	57.7	177.7	137,100 *b	63.2	180.2	155,400 *b													60
65	41.5	165.6	95,600 *	52.6	174.1	119,800 *	58.5	177.3	140,800 *b													65
70	34.8	159.0	86,400 *	47.2	169.7	106,200 *	53.5	173.8	122,700 *	62.8	177.7	140,900 b										70
75	26.4	150.2	78,700 *	41.2	164.4	95,100 *	48.1	169.6	108,500 *	58.0	174.8	129,200 b										75
80	13.9	135.7	72,100 *	34.4	157.7	86,000 *	42.2	164.4	97,100 *	53.0	171.2	119,300										80
85				26.0	148.7	78,400 *	35.6	158.0	87,700 *	47.6	166.9	107,400 *	57.3	171.3	107,100 b							85
90				13.0	133.7	71,800 *	27.5	149.5	79,800 *	41.7	161.6	96,200 *	52.3	167.6	99,900							90
95							15.8	136.2	73,100 *	34.9	155.1	87,000 *	46.8	163.2	93,400							95
100										26.6	146.3	79,200 *	40.8	157.8	87,700	51.2	162.9	84,900				100
105										14.3	132.1	72,600 *	33.8	150.9	82,600	45.7	158.3	79,900				105
110													25.3	141.7	77,900	39.5	152.7	75,500				110
115													11.5	125.7	71,700 *	32.3	145.5	71,400	44.0	152.3	69,100	115
120																23.2	135.6	67,700	37.6	146.3	65,600	120
130																			20.0	127.3	59,200	130



# Liftcrane Luffing Jib Capacities

Luffing Jib No. 133 or No. 133A On  
 Boom No. 44 With Heavy Lift Top  
 248,700 Lb. Crane Counterweight  
 120,000 Lb. Carbody Counterweight  
 360 Degree Rating

Designed And Tested  
 With The Intent To Be In  
 The Scope of ANSI B30.5

## M-250 SERIES 3

### 110 Ft. Boom, 80 Ft. Jib

Jib Oper. Rad. Feet	88 Degree Boom Angle			83 Degree Boom Angle			80 Degree Boom Angle			75 Degree Boom Angle			70 Degree Boom Angle			65 Degree Boom Angle			60 Degree Boom Angle			Jib Oper. Rad. Feet
	Jib Ang. Deg.	Jib Point Elev. Feet	Luffing Jib Capacity Pounds	Jib Ang. Deg.	Jib Point Elev. Feet	Luffing Jib Capacity Pounds	Jib Ang. Deg.	Jib Point Elev. Feet	Luffing Jib Capacity Pounds	Jib Ang. Deg.	Jib Point Elev. Feet	Luffing Jib Capacity Pounds	Jib Ang. Deg.	Jib Point Elev. Feet	Luffing Jib Capacity Pounds	Jib Ang. Deg.	Jib Point Elev. Feet	Luffing Jib Capacity Pounds	Jib Ang. Deg.	Jib Point Elev. Feet	Luffing Jib Capacity Pounds	
40	70.2	195.0	160,400 *b																			40
45	66.4	192.9	150,000 *b																			45
50	62.4	190.4	138,900 *b	70.1	194.0	156,900 *b																50
55	58.2	187.5	121,200 *	66.2	191.9	147,400 *b																55
60	53.8	184.0	107,300 *	62.2	189.4	138,000 *b	66.8	191.3	151,700 *b													60
65	49.2	179.9	96,100 *	58.0	186.4	120,500 *	62.8	188.9	141,700 *b													65
70	44.2	175.0	86,800 *	53.6	182.9	106,800 *	58.7	186.0	123,400 *													70
75	38.7	169.1	79,000 *	49.0	178.8	95,600 *	54.3	182.6	109,100 *	62.4	186.4	128,700 b										75
80	32.4	161.9	72,400 *	43.9	173.8	86,400 *	49.7	178.5	97,600 *	58.3	183.5	118,800										80
85	24.6	152.3	66,700 *	38.4	167.9	78,700 *	44.8	173.8	88,100 *	53.9	180.0	108,000 *										85
90	13.0	136.8	61,700 *	32.0	160.6	72,200 *	39.3	168.0	80,100 *	49.3	175.9	96,600 *	57.7	179.9	99,300							90
95				24.2	150.9	66,500 *	33.1	161.0	73,400 *	44.3	171.0	87,300 *	53.3	176.4	92,900							95
100				12.1	134.7	61,500 *	25.6	151.7	67,600 *	38.8	165.2	79,500 *	48.6	172.2	87,200							100
105							14.7	137.4	62,500 *	32.5	158.0	72,800 *	43.6	167.2	82,100	52.4	171.8	79,300				105
110										24.8	148.5	67,100 *	38.0	161.2	77,500	47.6	167.4	74,900				110
115										13.3	133.2	62,100 *	31.5	153.8	72,000 *	42.5	162.3	70,900				115
120													23.5	143.8	66,400 *	36.8	156.0	67,200	46.3	161.5	65,000	120
130																21.6	137.4	60,800	35.1	149.5	58,800	130
140																			18.6	128.9	53,400	140



# Liftcrane Luffing Jib Capacities

# M-250 SERIES 3

Luffing Jib No. 133 or No. 133A On  
 Boom No. 44 With Heavy Lift Top  
 248,700 Lb. Crane Counterweight  
 120,000 Lb. Carbody Counterweight  
 360 Degree Rating

Designed And Tested  
 With The Intent To Be In  
 The Scope of ANSI B30.5

## 110 Ft. Boom, 90 Ft. Jib

Jib Oper. Rad. Feet	88 Degree Boom Angle			83 Degree Boom Angle			80 Degree Boom Angle			75 Degree Boom Angle			70 Degree Boom Angle			65 Degree Boom Angle			60 Degree Boom Angle			Jib Oper. Rad. Feet
	Jib Ang. Deg.	Jib Point Elev. Feet	Luffing Jib Capacity Pounds	Jib Ang. Deg.	Jib Point Elev. Feet	Luffing Jib Capacity Pounds	Jib Ang. Deg.	Jib Point Elev. Feet	Luffing Jib Capacity Pounds	Jib Ang. Deg.	Jib Point Elev. Feet	Luffing Jib Capacity Pounds	Jib Ang. Deg.	Jib Point Elev. Feet	Luffing Jib Capacity Pounds	Jib Ang. Deg.	Jib Point Elev. Feet	Luffing Jib Capacity Pounds	Jib Ang. Deg.	Jib Point Elev. Feet	Luffing Jib Capacity Pounds	
38	73.9	206.2	159,300 *b																			38
40	72.5	205.6	155,100 *b																			40
45	69.1	203.8	145,500 *b																			45
50	65.7	201.6	136,200 *b																			50
55	62.1	199.1	121,700 *	69.0	202.8	143,100 *b																55
60	58.4	196.1	107,700 *	65.5	200.6	135,000 *b																60
65	54.6	192.7	96,400 *	61.9	198.1	121,000 *	66.1	200.1	139,500 *b													65
70	50.5	188.8	87,100 *	58.2	195.1	107,200 *	62.5	197.6	123,900 *													70
75	46.2	184.2	79,300 *	54.4	191.6	96,000 *	58.8	194.7	109,500 *													75
80	41.5	178.8	72,600 *	50.3	187.7	86,700 *	55.0	191.3	97,900 *	62.2	195.1	118,300										80
85	36.4	172.4	66,900 *	46.0	183.1	78,900 *	51.0	187.4	88,300 *	58.5	192.1	108,300 *										85
90	30.4	164.6	61,900 *	41.3	177.6	72,300 *	46.7	182.9	80,300 *	54.6	188.7	96,900 *										90
95	23.2	154.4	57,500 *	36.1	171.2	66,600 *	42.1	177.6	73,500 *	50.6	184.8	87,600 *	57.9	188.6	92,400							95
100	12.2	137.8	53,500 *	30.1	163.3	61,700 *	37.0	171.4	67,700 *	46.3	180.2	79,700 *	54.1	185.1	86,800							100
105				22.8	152.9	57,300 *	31.1	163.8	62,600 *	41.6	174.9	73,000 *	50.0	181.1	81,700							105
110				11.3	135.7	53,400 *	24.1	153.9	58,100 *	36.5	168.5	67,200 *	45.6	176.5	77,100							110
115							13.8	138.6	54,100 *	30.6	160.7	62,200 *	40.9	171.0	72,200 *	49.1	176.4	70,500				115
120										23.3	150.5	57,800 *	35.7	164.5	66,500 *	44.7	171.6	66,800				120
130													22.1	145.7	57,200 *	34.6	159.2	60,500	43.5	165.5	58,400	130
140																20.3	139.2	55,000	33.0	152.4	53,100	140
150																			17.5	130.4	48,600	150



# Liftcrane Luffing Jib Capacities

Luffing Jib No. 133 or No. 133A On  
 Boom No. 44 With Heavy Lift Top  
 248,700 Lb. Crane Counterweight  
 120,000 Lb. Carbody Counterweight  
 360 Degree Rating

Designed And Tested  
 With The Intent To Be In  
 The Scope of ANSI B30.5

## M-250 SERIES 3

### 110 Ft. Boom, 100 Ft. Jib

Jib Oper. Rad. Feet	88 Degree Boom Angle			83 Degree Boom Angle			80 Degree Boom Angle			75 Degree Boom Angle			70 Degree Boom Angle			65 Degree Boom Angle			60 Degree Boom Angle			Jib Oper. Rad. Feet
	Jib Ang. Deg.	Jib Point Elev. Feet	Luffing Jib Capacity Pounds	Jib Ang. Deg.	Jib Point Elev. Feet	Luffing Jib Capacity Pounds	Jib Ang. Deg.	Jib Point Elev. Feet	Luffing Jib Capacity Pounds	Jib Ang. Deg.	Jib Point Elev. Feet	Luffing Jib Capacity Pounds	Jib Ang. Deg.	Jib Point Elev. Feet	Luffing Jib Capacity Pounds	Jib Ang. Deg.	Jib Point Elev. Feet	Luffing Jib Capacity Pounds	Jib Ang. Deg.	Jib Point Elev. Feet	Luffing Jib Capacity Pounds	
38	75.5	216.6	153,400 *b																			38
40	74.3	216.1	149,600 *b																			40
45	71.3	214.5	140,700 *b																			45
50	68.3	212.5	132,600 *b																			50
55	65.1	210.3	121,900 *																			55
60	61.9	207.7	107,800 *	68.1	211.6	131,100 *b																60
65	58.6	204.8	96,400 *	65.0	209.3	121,200 *																65
70	55.1	201.4	87,000 *	61.7	206.7	107,200 *	65.5	208.8	124,000 *													70
75	51.5	197.6	79,200 *	58.4	203.8	96,000 *	62.3	206.2	109,500 *													75
80	47.7	193.2	72,500 *	54.9	200.4	86,700 *	58.9	203.3	97,900 *													80
85	43.6	188.2	66,700 *	51.3	196.5	78,900 *	55.5	200.0	88,300 *	62.0	203.7	108,400 *										85
90	39.3	182.4	61,700 *	47.5	192.1	72,200 *	51.9	196.2	80,200 *	58.6	200.8	96,900 *										90
95	34.4	175.6	57,300 *	43.4	187.1	66,500 *	48.1	191.9	73,400 *	55.2	197.4	87,500 *										95
100	28.8	167.2	53,400 *	39.0	181.2	61,500 *	44.1	187.0	67,500 *	51.6	193.6	79,600 *										100
105	21.9	156.3	49,900 *	34.1	174.3	57,100 *	39.8	181.3	62,400 *	47.8	189.3	72,900 *	54.7	193.9	81,100							105
110	11.5	138.8	46,700 *	28.5	165.8	53,200 *	35.0	174.6	57,900 *	43.7	184.3	67,100 *	51.1	190.0	76,600							110
115				21.5	154.8	49,800 *	29.5	166.4	54,000 *	39.3	178.5	62,000 *	47.2	185.6	72,000 *							115
120				10.7	136.6	46,600 *	22.8	155.9	50,400 *	34.5	171.6	57,600 *	43.1	180.5	66,400 *	50.3	185.3	66,200				120
130										22.1	152.5	50,200 *	33.8	167.5	57,100 *	42.3	175.5	59,900				130
140													20.9	147.6	49,700 *	32.7	162.1	54,500	41.1	169.3	52,500	140
150																19.2	140.9	49,100 *	31.2	155.2	48,100	150
160																			16.6	131.8	44,100	160



# Liftcrane Luffing Jib Capacities

# M-250 SERIES 3

Luffing Jib No. 133 or No. 133A On  
 Boom No. 44 With Heavy Lift Top  
 248,700 Lb. Crane Counterweight  
 120,000 Lb. Carbody Counterweight  
 360 Degree Rating

Designed And Tested  
 With The Intent To Be In  
 The Scope of ANSI B30.5

## 110 Ft. Boom, 110 Ft. Jib

Jib Oper. Rad. Feet	88 Degree Boom Angle			83 Degree Boom Angle			80 Degree Boom Angle			75 Degree Boom Angle			70 Degree Boom Angle			65 Degree Boom Angle			60 Degree Boom Angle			Jib Oper. Rad. Feet
	Jib Ang. Deg.	Jib Point Elev. Feet	Luffing Jib Capacity Pounds	Jib Ang. Deg.	Jib Point Elev. Feet	Luffing Jib Capacity Pounds	Jib Ang. Deg.	Jib Point Elev. Feet	Luffing Jib Capacity Pounds	Jib Ang. Deg.	Jib Point Elev. Feet	Luffing Jib Capacity Pounds	Jib Ang. Deg.	Jib Point Elev. Feet	Luffing Jib Capacity Pounds	Jib Ang. Deg.	Jib Point Elev. Feet	Luffing Jib Capacity Pounds	Jib Ang. Deg.	Jib Point Elev. Feet	Luffing Jib Capacity Pounds	
40	75.8	226.5	142,000 *b																			40
45	73.1	225.0	135,000 *b																			45
50	70.3	223.3	127,600 *																			50
55	67.5	221.3	120,500 *																			55
60	64.7	219.0	111,000 *	70.2	222.3	126,200 *																60
65	61.7	216.4	99,200 *	67.4	220.3	119,900 *																65
70	58.7	213.5	89,500 *	64.5	218.0	110,400 *	67.8	219.7	125,600 *													70
75	55.6	210.1	81,300 *	61.6	215.4	98,700 *	65.0	217.4	112,700 *													75
80	52.3	206.4	74,400 *	58.5	212.4	89,100 *	62.1	214.9	100,600 *													80
85	48.9	202.2	68,500 *	55.4	209.1	81,000 *	59.0	212.0	90,700 *													85
90	45.3	197.5	63,300 *	52.2	205.3	74,100 *	55.9	208.7	82,400 *	61.8	212.4	99,600 *										90
95	41.5	192.0	58,800 *	48.8	201.1	68,200 *	52.7	205.0	75,300 *	58.8	209.5	89,900 *										95
100	37.3	185.8	54,700 *	45.1	196.3	63,100 *	49.3	200.9	69,300 *	55.6	206.2	81,700 *										100
105	32.7	178.5	51,200 *	41.3	190.9	58,600 *	45.7	196.2	64,000 *	52.4	202.4	74,700 *										105
110	27.4	169.6	47,900 *	37.1	184.6	54,600 *	41.9	190.9	59,400 *	49.0	198.2	68,800 *	55.2	202.6	76,100							110
115	20.9	158.1	45,000 *	32.5	177.2	51,000 *	37.8	184.7	55,300 *	45.4	193.5	63,600 *	51.9	198.8	71,900							115
120	10.9	139.7	39,900 *	27.1	168.2	47,800 *	33.3	177.6	51,700 *	41.6	188.1	59,000 *	48.5	194.6	68,000 *							120
130				10.2	137.4	41,300 *	21.7	157.8	45,500 *	32.8	174.6	51,400 *	41.0	184.2	58,400 *	47.8	189.8	59,400				130
140										21.0	154.3	45,200 *	32.1	170.4	50,900 *	40.2	179.2	54,100	46.8	183.9	52,000	140
150													19.9	149.3	44,900 *	31.1	164.9	49,500	39.1	172.9	47,600	150
160																18.3	142.5	44,300 *	29.7	157.9	43,700	160
170																			15.8	133.2	40,300	170



# Liftcrane Luffing Jib Capacities

Luffing Jib No. 133 or No. 133A On  
 Boom No. 44 With Heavy Lift Top  
 248,700 Lb. Crane Counterweight  
 120,000 Lb. Carbody Counterweight  
 360 Degree Rating

Designed And Tested  
 With The Intent To Be In  
 The Scope of ANSI B30.5

## M-250 SERIES 3

### 110 Ft. Boom, 120 Ft. Jib

Jib Oper. Rad. Feet	88 Degree Boom Angle			83 Degree Boom Angle			80 Degree Boom Angle			75 Degree Boom Angle			70 Degree Boom Angle			65 Degree Boom Angle			60 Degree Boom Angle			Jib Oper. Rad. Feet
	Jib Ang. Deg.	Jib Point Elev. Feet	Luffing Jib Capacity Pounds	Jib Ang. Deg.	Jib Point Elev. Feet	Luffing Jib Capacity Pounds	Jib Ang. Deg.	Jib Point Elev. Feet	Luffing Jib Capacity Pounds	Jib Ang. Deg.	Jib Point Elev. Feet	Luffing Jib Capacity Pounds	Jib Ang. Deg.	Jib Point Elev. Feet	Luffing Jib Capacity Pounds	Jib Ang. Deg.	Jib Point Elev. Feet	Luffing Jib Capacity Pounds	Jib Ang. Deg.	Jib Point Elev. Feet	Luffing Jib Capacity Pounds	
45	74.5	235.4	126,800 *b																			45
50	72.0	233.9	121,900 *																			50
55	69.5	232.1	117,100 *																			55
60	66.9	230.0	109,900 *																			60
65	64.3	227.7	98,900 *	69.4	231.1	116,300 *																65
70	61.6	225.1	89,100 *	66.8	229.0	110,100 *																70
75	58.8	222.1	81,000 *	64.1	226.7	98,400 *	67.2	228.4	112,400 *													75
80	56.0	218.8	74,100 *	61.4	224.0	88,700 *	64.6	226.1	100,300 *													80
85	53.0	215.2	68,100 *	58.7	221.1	80,700 *	61.9	223.5	90,300 *													85
90	49.9	211.1	62,900 *	55.8	217.8	73,800 *	59.1	220.6	82,000 *													90
95	46.7	206.6	58,400 *	52.9	214.1	67,900 *	56.3	217.4	74,900 *	61.6	221.1	89,500 *										95
100	43.3	201.5	54,300 *	49.8	210.0	62,700 *	53.3	213.8	68,900 *	58.9	218.1	81,300 *										100
105	39.6	195.7	50,700 *	46.5	205.5	58,200 *	50.3	209.8	63,600 *	56.0	214.9	74,400 *										105
110	35.7	189.0	47,500 *	43.1	200.3	54,200 *	47.1	205.3	59,000 *	53.1	211.2	68,400 *										110
115	31.3	181.3	44,600 *	39.4	194.5	50,600 *	43.7	200.2	54,900 *	50.0	207.1	63,200 *	55.6	211.3	71,400							115
120	26.2	171.9	42,000 *	35.5	187.8	47,400 *	40.0	194.5	51,300 *	46.8	202.6	58,600 *	52.6	207.6	67,600 *							120
130	10.4	140.6	35,100 *	25.9	170.5	41,900 *	31.8	180.4	45,100 *	39.7	191.7	51,000 *	46.3	198.9	58,000 *	52.0	203.0	58,800				130
140				9.7	138.2	36,400 *	20.7	159.6	39,900 *	31.3	177.4	44,800 *	39.2	187.8	50,500 *	45.6	194.0	53,500				140
150										20.1	156.0	39,800 *	30.7	173.2	44,500 *	38.4	182.7	48,900	44.7	188.0	47,000	150
160													19.0	151.0	39,500 *	29.7	167.5	43,900 *	37.3	176.3	43,200	160
170																17.5	144.0	39,000 *	28.4	160.4	39,800	170
180																			15.0	134.5	36,600 *	180



# Liftcrane Luffing Jib Capacities

# M-250 SERIES 3

Luffing Jib No. 133 or No. 133A On  
 Boom No. 44 With Heavy Lift Top  
 248,700 Lb. Crane Counterweight  
 120,000 Lb. Carbody Counterweight  
 360 Degree Rating

Designed And Tested  
 With The Intent To Be In  
 The Scope of ANSI B30.5

## 110 Ft. Boom, 130 Ft. Jib

Jib Oper. Rad. Feet	88 Degree Boom Angle			83 Degree Boom Angle			80 Degree Boom Angle			75 Degree Boom Angle			70 Degree Boom Angle			65 Degree Boom Angle			60 Degree Boom Angle			Jib Oper. Rad. Feet
	Jib Ang. Deg.	Jib Point Elev. Feet	Luffing Jib Capacity Pounds	Jib Ang. Deg.	Jib Point Elev. Feet	Luffing Jib Capacity Pounds	Jib Ang. Deg.	Jib Point Elev. Feet	Luffing Jib Capacity Pounds	Jib Ang. Deg.	Jib Point Elev. Feet	Luffing Jib Capacity Pounds	Jib Ang. Deg.	Jib Point Elev. Feet	Luffing Jib Capacity Pounds	Jib Ang. Deg.	Jib Point Elev. Feet	Luffing Jib Capacity Pounds	Jib Ang. Deg.	Jib Point Elev. Feet	Luffing Jib Capacity Pounds	
45	75.8	245.8	117,400 *b																			45
50	73.5	244.4	113,100 *																			50
55	71.1	242.7	108,900 *																			55
60	68.8	240.9	104,900 *																			60
65	66.4	238.7	99,700 *	71.0	241.8	109,800 *																65
70	64.0	236.4	89,800 *	68.7	239.9	106,100 *																70
75	61.5	233.7	81,500 *	66.3	237.7	99,200 *																75
80	58.9	230.8	74,400 *	63.8	235.4	89,400 *	66.7	237.2	101,100 *													80
85	56.3	227.5	68,400 *	61.3	232.7	81,100 *	64.2	234.8	91,000 *													85
90	53.6	224.0	63,100 *	58.8	229.8	74,200 *	61.7	232.2	82,500 *													90
95	50.8	220.0	58,500 *	56.1	226.5	68,200 *	59.2	229.3	75,300 *													95
100	47.8	215.6	54,500 *	53.4	222.9	62,900 *	56.6	226.1	69,200 *	61.5	229.7	81,800 *										100
105	44.7	210.7	50,800 *	50.6	218.9	58,400 *	53.9	222.6	63,800 *	58.9	226.8	74,800 *										105
110	41.5	205.3	47,600 *	47.7	214.5	54,300 *	51.1	218.6	59,200 *	56.3	223.6	68,700 *										110
115	38.0	199.1	44,700 *	44.6	209.6	50,700 *	48.2	214.3	55,000 *	53.6	220.0	63,400 *										115
120	34.2	192.1	42,000 *	41.3	204.1	47,500 *	45.1	209.5	51,400 *	50.8	216.0	58,800 *	56.0	220.0	67,400							120
130	25.1	174.2	37,400 *	34.0	190.9	41,900 *	38.4	198.0	45,100 *	44.8	206.8	51,100 *	50.4	212.4	58,200 *							130
140	10.0	141.4	31,300 *	24.9	172.7	37,300 *	30.5	183.1	39,900 *	38.1	195.2	44,900 *	44.4	203.0	50,600 *	49.8	207.7	53,300				140
150				9.3	139.0	32,600 *	19.9	161.3	35,600 *	30.1	180.1	39,800 *	37.5	191.2	44,500 *	43.7	198.1	48,700				150
160										19.2	157.7	35,500 *	29.4	175.8	39,500 *	36.8	186.0	44,000 *	42.8	192.0	43,000	160
170													18.3	152.5	35,200 *	28.5	170.1	39,000 *	35.8	179.5	39,600 *	170
180																16.8	145.4	34,900 *	27.2	162.8	36,500 *	180
190																			14.4	135.7	33,600 *	190



# Liftcrane Luffing Jib Capacities

Luffing Jib No. 133 or No. 133A On  
 Boom No. 44 With Heavy Lift Top  
 248,700 Lb. Crane Counterweight  
 120,000 Lb. Carbody Counterweight  
 360 Degree Rating

Designed And Tested  
 With The Intent To Be In  
 The Scope of ANSI B30.5

## M-250 SERIES 3

### 110 Ft. Boom, 140 Ft. Jib

Jib Oper. Rad. Feet	88 Degree Boom Angle			83 Degree Boom Angle			80 Degree Boom Angle			75 Degree Boom Angle			70 Degree Boom Angle			65 Degree Boom Angle			60 Degree Boom Angle			Jib Oper. Rad. Feet
	Jib Ang. Deg.	Jib Point Elev. Feet	Luffing Jib Capacity Pounds	Jib Ang. Deg.	Jib Point Elev. Feet	Luffing Jib Capacity Pounds	Jib Ang. Deg.	Jib Point Elev. Feet	Luffing Jib Capacity Pounds	Jib Ang. Deg.	Jib Point Elev. Feet	Luffing Jib Capacity Pounds	Jib Ang. Deg.	Jib Point Elev. Feet	Luffing Jib Capacity Pounds	Jib Ang. Deg.	Jib Point Elev. Feet	Luffing Jib Capacity Pounds	Jib Ang. Deg.	Jib Point Elev. Feet	Luffing Jib Capacity Pounds	
50	74.7	254.8	105,800 *																			50
55	72.5	253.3	102,100 *																			55
60	70.4	251.6	98,500 *																			60
65	68.2	249.6	95,000 *																			65
70	65.9	247.5	89,400 *	70.3	250.6	99,300 *																70
75	63.7	245.0	81,100 *	68.1	248.6	96,100 *																75
80	61.4	242.4	74,000 *	65.8	246.5	89,000 *																80
85	59.0	239.5	68,000 *	63.6	244.0	80,700 *	66.2	245.9	90,600 *													85
90	56.5	236.2	62,700 *	61.2	241.4	73,700 *	63.9	243.5	82,100 *													90
95	54.0	232.7	58,100 *	58.9	238.4	67,700 *	61.6	240.9	74,900 *													95
100	51.5	228.8	54,000 *	56.4	235.2	62,500 *	59.2	238.0	68,700 *													100
105	48.8	224.6	50,400 *	53.9	231.6	57,900 *	56.8	234.8	63,400 *	61.4	238.4	74,300 *										105
110	46.0	219.9	47,100 *	51.3	227.7	53,900 *	54.3	231.3	58,700 *	59.0	235.5	68,200 *										110
115	43.0	214.7	44,200 *	48.6	223.5	50,200 *	51.7	227.5	54,600 *	56.6	232.2	63,000 *										115
120	39.9	208.9	41,500 *	45.8	218.8	47,000 *	49.1	223.2	50,900 *	54.1	228.7	58,300 *										120
130	32.9	195.1	36,900 *	39.7	207.7	41,400 *	43.3	213.5	44,600 *	48.8	220.6	50,600 *	53.7	225.1	57,800 *							130
140	24.2	176.3	33,000 *	32.7	193.8	36,800 *	36.9	201.4	39,500 *	43.1	210.7	44,400 *	48.4	216.9	50,100 *							140
150	9.6	142.2	27,700 *	23.9	174.8	32,900 *	29.3	185.8	35,200 *	36.6	198.5	39,300 *	42.6	206.9	44,000 *	47.9	212.2	48,200				150
160				8.9	139.8	28,900 *	19.1	163.0	31,500 *	28.9	182.7	35,000 *	36.1	194.5	39,000 *	42.0	202.0	43,500 *	47.1	206.3	42,400	160
170										18.5	159.3	31,400 *	28.3	178.3	34,800 *	35.4	189.2	38,600 *	41.2	195.8	39,000 *	170
180													17.6	154.1	31,200 *	27.4	172.5	34,400 *	34.4	182.6	35,900 *	180
190																16.1	146.8	30,900 *	26.2	165.1	33,100 *	190
200																13.9	136.9	30,400 *	13.9	136.9	30,400 *	200





# Liftcrane Luffing Jib Capacities

# M-250 SERIES 3

Luffing Jib No. 133 or No. 133A On  
 Boom No. 44 With Heavy Lift Top  
 248,700 Lb. Crane Counterweight  
 120,000 Lb. Carbody Counterweight  
 360 Degree Rating

Designed And Tested  
 With The Intent To Be In  
 The Scope of ANSI B30.5

## 110 Ft. Boom, 150 Ft. Jib

Jib Oper. Rad. Feet	88 Degree Boom Angle			83 Degree Boom Angle			80 Degree Boom Angle			75 Degree Boom Angle			70 Degree Boom Angle			65 Degree Boom Angle			60 Degree Boom Angle			Jib Oper. Rad. Feet
	Jib Ang. Deg.	Jib Point Elev. Feet	Luffing Jib Capacity Pounds	Jib Ang. Deg.	Jib Point Elev. Feet	Luffing Jib Capacity Pounds	Jib Ang. Deg.	Jib Point Elev. Feet	Luffing Jib Capacity Pounds	Jib Ang. Deg.	Jib Point Elev. Feet	Luffing Jib Capacity Pounds	Jib Ang. Deg.	Jib Point Elev. Feet	Luffing Jib Capacity Pounds	Jib Ang. Deg.	Jib Point Elev. Feet	Luffing Jib Capacity Pounds	Jib Ang. Deg.	Jib Point Elev. Feet	Luffing Jib Capacity Pounds	
50	75.7	265.2	100,700 *																			50
55	73.7	263.8	97,600 *																			55
60	71.7	262.2	94,500 *																			60
65	69.7	260.4	91,400 *																			65
70	67.6	258.4	88,500 *																			70
75	65.6	256.2	81,900 *	69.6	259.4	92,200 *																75
80	63.4	253.7	74,800 *	67.5	257.4	89,500 *																80
85	61.3	251.0	68,600 *	65.5	255.2	81,600 *	67.9	256.8	91,500 *													85
90	59.1	248.1	63,300 *	63.3	252.7	74,500 *	65.8	254.6	82,900 *													90
95	56.8	244.9	58,600 *	61.2	250.0	68,400 *	63.7	252.2	75,600 *													95
100	54.5	241.4	54,500 *	58.9	247.1	63,100 *	61.5	249.5	69,400 *													100
105	52.1	237.6	50,800 *	56.7	243.9	58,400 *	59.3	246.6	63,900 *													105
110	49.6	233.5	47,500 *	54.3	240.4	54,300 *	57.0	243.5	59,200 *	61.3	247.0	68,900 *										110
115	47.0	229.0	44,500 *	51.9	236.6	50,600 *	54.7	240.0	55,000 *	59.1	244.1	63,500 *										115
120	44.3	224.0	41,800 *	49.5	232.4	47,400 *	52.3	236.3	51,300 *	56.8	240.9	58,800 *										120
130	38.5	212.4	37,100 *	44.2	222.8	41,700 *	47.3	227.7	44,900 *	52.1	233.7	51,000 *	56.5	237.4	58,200 *							130
140	31.7	197.9	33,200 *	38.3	211.2	37,100 *	41.8	217.3	39,700 *	47.0	225.0	44,700 *	51.8	230.0	50,500 *							140
150	23.3	178.4	29,800 *	31.6	196.7	33,100 *	35.6	204.6	35,400 *	41.5	214.6	39,500 *	46.7	221.3	44,300 *	51.3	225.4	47,700				150
160	9.3	143.0	23,700 *	23.1	176.9	29,700 *	28.3	188.3	31,700 *	35.3	201.7	35,200 *	41.1	210.7	39,200 *	46.1	216.4	43,800 *				160
170				8.6	140.5	24,800 *	18.5	164.6	28,500 *	27.9	185.2	31,500 *	34.8	197.7	34,900 *	40.5	205.7	38,800 *	45.4	210.5	38,300 *	170
180										17.9	160.9	28,400 *	27.3	180.7	31,300 *	34.2	192.3	34,600 *	39.7	199.4	35,200 *	180
190													17.0	155.5	28,200 *	26.5	174.9	31,000 *	33.2	185.6	32,500 *	190
200																15.6	148.2	27,900 *	25.2	167.4	29,900 *	200
210																			13.4	138.0	27,500 *	210



# Liftcrane Luffing Jib Capacities

Luffing Jib No. 133 or No. 133A On  
 Boom No. 44 With Heavy Lift Top  
 248,700 Lb. Crane Counterweight  
 120,000 Lb. Carbody Counterweight  
 360 Degree Rating

Designed And Tested  
 With The Intent To Be In  
 The Scope of ANSI B30.5

## M-250 SERIES 3

### 110 Ft. Boom, 160 Ft. Jib

Jib Oper. Rad. Feet	88 Degree Boom Angle			83 Degree Boom Angle			80 Degree Boom Angle			75 Degree Boom Angle			70 Degree Boom Angle			65 Degree Boom Angle			60 Degree Boom Angle			Jib Oper. Rad. Feet
	Jib Ang. Deg.	Jib Point Elev. Feet	Luffing Jib Capacity Pounds	Jib Ang. Deg.	Jib Point Elev. Feet	Luffing Jib Capacity Pounds	Jib Ang. Deg.	Jib Point Elev. Feet	Luffing Jib Capacity Pounds	Jib Ang. Deg.	Jib Point Elev. Feet	Luffing Jib Capacity Pounds	Jib Ang. Deg.	Jib Point Elev. Feet	Luffing Jib Capacity Pounds	Jib Ang. Deg.	Jib Point Elev. Feet	Luffing Jib Capacity Pounds	Jib Ang. Deg.	Jib Point Elev. Feet	Luffing Jib Capacity Pounds	
55	74.8	274.2	91,400 *																			55
60	72.9	272.7	88,600 *																			60
65	71.0	271.0	85,900 *																			65
70	69.1	269.2	83,100 *																			70
75	67.2	267.1	80,500 *	70.9	270.1	86,300 *																75
80	65.2	264.9	74,200 *	69.0	268.2	83,800 *																80
85	63.2	262.4	68,100 *	67.1	266.1	81,100 *																85
90	61.2	259.7	62,800 *	65.1	263.9	74,000 *	67.4	265.5	82,400 *													90
95	59.1	256.8	58,100 *	63.1	261.4	67,900 *	65.4	263.3	75,100 *													95
100	57.0	253.6	53,900 *	61.1	258.7	62,500 *	63.4	260.9	68,900 *													100
105	54.8	250.2	50,300 *	59.0	255.7	57,900 *	61.4	258.2	63,400 *													105
110	52.6	246.4	47,000 *	56.9	252.6	53,800 *	59.3	255.3	58,700 *													110
115	50.3	242.4	44,000 *	54.7	249.1	50,100 *	57.2	252.2	54,500 *	61.2	255.7	63,000 *										115
120	47.9	238.0	41,300 *	52.5	245.4	46,800 *	55.1	248.7	50,700 *	59.1	252.8	58,300 *										120
130	42.8	227.9	36,600 *	47.8	236.9	41,200 *	50.5	241.0	44,400 *	54.9	246.2	50,400 *										130
140	37.2	215.8	32,700 *	42.7	226.8	36,500 *	45.7	231.9	39,200 *	50.3	238.4	44,100 *	54.5	242.6	50,000 *							140
150	30.7	200.7	29,300 *	37.0	214.6	32,600 *	40.4	221.0	34,800 *	45.5	229.2	39,000 *	50.0	234.7	43,800 *							150
160	22.6	180.3	26,300 *	30.5	199.4	29,200 *	34.4	207.7	31,200 *	40.1	218.2	34,700 *	45.1	225.5	38,700 *	49.5	230.0	43,200 *				160
170	9.0	143.8	20,900 *	22.3	178.8	26,300 *	27.4	190.7	28,000 *	34.1	204.8	31,000 *	39.7	214.3	34,400 *	44.6	220.6	38,200 *				170
180				8.3	141.2	22,000 *	17.8	166.1	25,200 *	27.0	187.5	27,900 *	33.7	200.7	30,800 *	39.2	209.2	34,000 *	43.9	214.5	34,500 *	180
190										17.3	162.4	25,100 *	26.4	183.1	27,700 *	33.0	195.3	30,500 *	38.4	202.9	31,700 *	190
200													16.4	157.0	25,000 *	25.6	177.1	27,400 *	32.1	188.5	29,300 *	200
210																15.0	149.5	24,700 *	24.4	169.5	27,000 *	210
220																			12.9	139.1	24,400 *	220



# Liftcrane Luffing Jib Capacities

# M-250 SERIES 3

Luffing Jib No. 133 or No. 133A On  
 Boom No. 44 With Heavy Lift Top  
 248,700 Lb. Crane Counterweight  
 120,000 Lb. Carbody Counterweight  
 360 Degree Rating

Designed And Tested  
 With The Intent To Be In  
 The Scope of ANSI B30.5

## 110 Ft. Boom, 170 Ft. Jib

Jib Oper. Rad. Feet	88 Degree Boom Angle			83 Degree Boom Angle			80 Degree Boom Angle			75 Degree Boom Angle			70 Degree Boom Angle			65 Degree Boom Angle			60 Degree Boom Angle			Jib Oper. Rad. Feet
	Jib Ang. Deg.	Jib Point Elev. Feet	Luffing Jib Capacity Pounds	Jib Ang. Deg.	Jib Point Elev. Feet	Luffing Jib Capacity Pounds	Jib Ang. Deg.	Jib Point Elev. Feet	Luffing Jib Capacity Pounds	Jib Ang. Deg.	Jib Point Elev. Feet	Luffing Jib Capacity Pounds	Jib Ang. Deg.	Jib Point Elev. Feet	Luffing Jib Capacity Pounds	Jib Ang. Deg.	Jib Point Elev. Feet	Luffing Jib Capacity Pounds	Jib Ang. Deg.	Jib Point Elev. Feet	Luffing Jib Capacity Pounds	
55	75.7	284.6	84,700 *																			55
60	73.9	283.2	82,200 *																			60
65	72.2	281.6	79,700 *																			65
70	70.4	279.9	77,300 *																			70
75	68.6	277.9	74,900 *																			75
80	66.8	275.8	72,500 *	70.3	278.9	77,700 *																80
85	64.9	273.6	68,500 *	68.5	277.0	75,500 *																85
90	63.0	271.1	63,100 *	66.7	274.9	73,000 *																90
95	61.1	268.4	58,300 *	64.8	272.6	68,300 *	67.0	274.3	75,700 *													95
100	59.2	265.4	54,100 *	62.9	270.1	62,900 *	65.1	272.0	69,300 *													100
105	57.2	262.3	50,400 *	61.0	267.3	58,100 *	63.2	269.5	63,700 *													105
110	55.1	258.9	47,000 *	59.1	264.4	53,900 *	61.3	266.9	58,900 *													110
115	53.0	255.2	44,000 *	57.1	261.2	50,200 *	59.4	264.0	54,600 *													115
120	50.9	251.2	41,300 *	55.0	257.8	46,900 *	57.4	260.8	50,800 *	61.1	264.4	58,500 *										120
130	46.4	242.3	36,500 *	50.8	250.1	41,200 *	53.3	253.8	44,400 *	57.2	258.3	50,500 *										130
140	41.5	231.7	32,500 *	46.2	241.2	36,400 *	48.9	245.6	39,100 *	53.1	251.2	44,200 *	56.9	254.8	50,100 *							140
150	36.0	219.1	29,100 *	41.3	230.6	32,500 *	44.2	236.0	34,700 *	48.7	243.0	38,900 *	52.8	247.6	43,800 *							150
160	29.7	203.3	26,200 *	35.9	217.8	29,100 *	39.1	224.6	31,000 *	44.0	233.3	34,600 *	48.4	239.3	38,600 *	52.4	243.0	42,900				160
170	21.9	182.3	23,600 *	29.6	202.0	26,100 *	33.4	210.7	27,800 *	38.9	221.8	30,900 *	43.7	229.5	34,300 *	47.9	234.5	38,200 *				170
180	8.7	144.5	18,600 *	21.6	180.7	23,500 *	26.5	193.1	25,000 *	33.1	207.8	27,700 *	38.5	217.8	30,700 *	43.2	224.6	33,900 *	47.3	228.6	34,100 *	180
190				8.1	141.8	19,600 *	17.3	167.6	22,600 *	26.2	189.9	24,900 *	32.6	203.6	27,500 *	37.9	212.7	30,300 *	42.5	218.4	31,400 *	190
200										16.7	163.8	22,500 *	25.6	185.3	24,800 *	32.0	198.2	27,200 *	37.2	206.3	28,900 *	200
210													15.9	158.3	22,400 *	24.8	179.3	24,500 *	31.1	191.3	26,700 *	210
220																14.6	150.7	22,200 *	23.7	171.6	24,200 *	220
230																			12.5	140.2	21,900 *	230



# Liftcrane Luffing Jib Capacities

Luffing Jib No. 133 or No. 133A On  
 Boom No. 44 With Heavy Lift Top  
 248,700 Lb. Crane Counterweight  
 120,000 Lb. Carbody Counterweight  
 360 Degree Rating

Designed And Tested  
 With The Intent To Be In  
 The Scope of ANSI B30.5

## M-250 SERIES 3

### 110 Ft. Boom, 180 Ft. Jib

Jib Oper. Rad. Feet	88 Degree Boom Angle			83 Degree Boom Angle			80 Degree Boom Angle			75 Degree Boom Angle			70 Degree Boom Angle			65 Degree Boom Angle			60 Degree Boom Angle			Jib Oper. Rad. Feet	
	Jib Ang. Deg.	Jib Point Elev. Feet	Luffing Jib Capacity Pounds	Jib Ang. Deg.	Jib Point Elev. Feet	Luffing Jib Capacity Pounds	Jib Ang. Deg.	Jib Point Elev. Feet	Luffing Jib Capacity Pounds	Jib Ang. Deg.	Jib Point Elev. Feet	Luffing Jib Capacity Pounds	Jib Ang. Deg.	Jib Point Elev. Feet	Luffing Jib Capacity Pounds	Jib Ang. Deg.	Jib Point Elev. Feet	Luffing Jib Capacity Pounds	Jib Ang. Deg.	Jib Point Elev. Feet	Luffing Jib Capacity Pounds		
60	74.9	293.6	77,100 *																			60	
65	73.2	292.1	74,900 *																			65	
70	71.5	290.5	72,600 *																			70	
75	69.8	288.7	70,400 *																			75	
80	68.1	286.7	67,700 *																			80	
85	66.4	284.6	64,900 *	69.8	287.7	70,800 *																85	
90	64.6	282.2	62,200 *	68.0	285.7	68,000 *																90	
95	62.9	279.7	57,800 *	66.3	283.6	65,300 *																95	
100	61.1	277.0	53,600 *	64.6	281.2	62,300 *	66.6	283.0	68,700 *													100	
105	59.2	274.1	49,800 *	62.8	278.7	57,600 *	64.8	280.7	63,200 *													105	
110	57.3	271.0	46,500 *	61.0	276.0	53,400 *	63.1	278.2	58,400 *													110	
115	55.4	267.6	43,500 *	59.1	273.1	49,700 *	61.3	275.5	54,100 *													115	
120	53.4	264.0	40,700 *	57.2	269.9	46,400 *	59.4	272.6	50,300 *	62.9	275.7	58,000 *										120	
130	49.3	255.9	36,000 *	53.3	262.9	40,600 *	55.6	266.2	43,900 *	59.2	270.1	50,000 *										130	
140	45.0	246.4	32,000 *	49.2	254.8	35,900 *	51.7	258.7	38,600 *	55.4	263.6	43,600 *										140	
150	40.2	235.4	28,600 *	44.9	245.3	31,900 *	47.4	250.0	34,200 *	51.5	256.1	38,400 *	55.2	260.1	43,200 *							150	
160	35.0	222.2	25,600 *	40.1	234.2	28,500 *	42.9	239.9	30,500 *	47.2	247.4	34,000 *	51.2	252.5	38,100 *							160	
170	28.9	205.9	23,100 *	34.8	221.0	25,600 *	38.0	228.0	27,300 *	42.7	237.2	30,300 *	46.9	243.6	33,800 *	50.8	247.8	37,600 *				170	
180	21.2	184.1	20,800 *	28.7	204.6	23,000 *	32.4	213.6	24,500 *	37.7	225.2	27,200 *	42.4	233.4	30,100 *	46.5	238.8	33,400 *				180	
190	8.4	145.2	16,300 *	21.0	182.6	20,800 *	25.7	195.3	22,100 *	32.1	210.7	24,400 *	37.4	221.2	27,000 *	41.9	228.4	29,800 *	45.9	232.9	30,800 *	190	
200				7.8	142.5	17,200 *	16.8	169.1	19,900 *	25.4	192.1	22,000 *	31.7	206.5	24,200 *	36.8	216.0	26,700 *	41.2	222.2	28,300 *	200	
210										16.3	165.3	19,800 *		24.9	187.5	21,800 *	31.1	200.9	24,000 *	36.1	209.5	26,100 *	210
220													15.4	159.7	19,700 *		24.1	181.5	21,600 *	30.2	194.0	23,700 *	220
230																14.2	151.9	19,500 *		23.0	173.6	21,400 *	230
240																			12.2	141.3	19,300 *	240	



# Liftcrane Luffing Jib Capacities

# M-250 SERIES 3

Luffing Jib No. 133 or No. 133A On  
 Boom No. 44 With Heavy Lift Top  
 248,700 Lb. Crane Counterweight  
 120,000 Lb. Carbody Counterweight  
 360 Degree Rating

Designed And Tested  
 With The Intent To Be In  
 The Scope of ANSI B30.5

## 110 Ft. Boom, 190 Ft. Jib

Jib Oper. Rad. Feet	88 Degree Boom Angle			83 Degree Boom Angle			80 Degree Boom Angle			75 Degree Boom Angle			70 Degree Boom Angle			65 Degree Boom Angle			60 Degree Boom Angle			Jib Oper. Rad. Feet
	Jib Ang. Deg.	Jib Point Elev. Feet	Luffing Jib Capacity Pounds	Jib Ang. Deg.	Jib Point Elev. Feet	Luffing Jib Capacity Pounds	Jib Ang. Deg.	Jib Point Elev. Feet	Luffing Jib Capacity Pounds	Jib Ang. Deg.	Jib Point Elev. Feet	Luffing Jib Capacity Pounds	Jib Ang. Deg.	Jib Point Elev. Feet	Luffing Jib Capacity Pounds	Jib Ang. Deg.	Jib Point Elev. Feet	Luffing Jib Capacity Pounds	Jib Ang. Deg.	Jib Point Elev. Feet	Luffing Jib Capacity Pounds	
60	75.7	303.9	71,400 *																			60
65	74.1	302.5	70,500 *																			65
70	72.5	301.0	68,300 *																			70
75	70.9	299.3	65,800 *																			75
80	69.3	297.5	63,300 *																			80
85	67.7	295.5	60,800 *	70.9	298.3	65,800 *																85
90	66.1	293.3	58,300 *	69.3	296.5	63,500 *																90
95	64.4	290.9	55,700 *	67.6	294.5	61,000 *																95
100	62.7	288.4	53,100 *	66.0	292.3	58,600 *	67.9	293.9	64,500 *													100
105	61.0	285.7	49,300 *	64.3	289.9	56,100 *	66.3	291.7	61,800 *													105
110	59.3	282.8	46,000 *	62.6	287.4	52,900 *	64.6	289.4	57,900 *													110
115	57.5	279.6	43,000 *	60.9	284.7	49,200 *	62.9	286.9	53,600 *													115
120	55.7	276.3	40,200 *	59.2	281.7	45,900 *	61.2	284.2	49,800 *													120
130	51.9	268.9	35,500 *	55.6	275.2	40,100 *	57.7	278.2	43,400 *	61.0	281.7	49,500 *										130
140	47.9	260.3	31,500 *	51.8	267.8	35,400 *	54.0	271.3	38,100 *	57.5	275.6	43,100 *										140
150	43.7	250.5	28,100 *	47.8	259.2	31,400 *	50.2	263.4	33,700 *	53.8	268.7	37,900 *	57.3	272.1	42,700 *							150
160	39.1	239.0	25,100 *	43.6	249.3	28,000 *	46.1	254.3	30,000 *	50.0	260.8	33,500 *	53.6	265.1	37,600 *							160
170	34.0	225.3	22,600 *	39.0	237.8	25,100 *	41.7	243.8	26,800 *	45.9	251.6	29,800 *	49.7	257.1	33,300 *							170
180	28.1	208.4	20,300 *	33.9	224.0	22,500 *	36.9	231.4	24,000 *	41.5	241.0	26,700 *	45.6	247.9	29,600 *	49.3	252.4	32,900 *				180
190	20.6	185.9	18,300 *	27.9	207.1	20,300 *	31.5	216.5	21,600 *	36.7	228.5	23,900 *	41.2	237.2	26,500 *	45.2	243.0	29,300 *				190
200	8.2	145.9	14,100 *	20.4	184.4	18,300 *	25.0	197.6	19,400 *	31.2	213.5	21,500 *	36.3	224.5	23,700 *	40.7	232.1	26,200 *	44.6	237.0	27,700 *	200
210				7.6	143.1	15,000 *	16.3	170.5	17,500 *	24.7	194.3	19,400 *	30.8	209.2	21,400 *	35.8	219.3	23,500 *	40.1	225.9	25,500 *	210
220										15.8	166.6	17,400 *	24.2	189.7	19,200 *	30.2	203.6	21,100 *	35.1	212.7	23,200 *	220
230													15.0	161.0	17,300 *	23.4	183.5	19,100 *	29.4	196.6	20,900 *	230
240																13.8	153.1	17,200 *	22.3	175.6	18,800 *	240
250																			11.8	142.3	16,900 *	250



# Liftcrane Luffing Jib Capacities

Luffing Jib No. 133 or No. 133A On  
 Boom No. 44 With Heavy Lift Top  
 248,700 Lb. Crane Counterweight  
 120,000 Lb. Carbody Counterweight  
 360 Degree Rating

Designed And Tested  
 With The Intent To Be In  
 The Scope of ANSI B30.5

## M-250 SERIES 3

### 110 Ft. Boom, 200 Ft. Jib

Jib Oper. Rad. Feet	88 Degree Boom Angle			83 Degree Boom Angle			80 Degree Boom Angle			75 Degree Boom Angle			70 Degree Boom Angle			65 Degree Boom Angle			60 Degree Boom Angle			Jib Oper. Rad. Feet	
	Jib Ang. Deg.	Jib Point Elev. Feet	Luffing Jib Capacity Pounds	Jib Ang. Deg.	Jib Point Elev. Feet	Luffing Jib Capacity Pounds	Jib Ang. Deg.	Jib Point Elev. Feet	Luffing Jib Capacity Pounds	Jib Ang. Deg.	Jib Point Elev. Feet	Luffing Jib Capacity Pounds	Jib Ang. Deg.	Jib Point Elev. Feet	Luffing Jib Capacity Pounds	Jib Ang. Deg.	Jib Point Elev. Feet	Luffing Jib Capacity Pounds	Jib Ang. Deg.	Jib Point Elev. Feet	Luffing Jib Capacity Pounds		
65	74.9	312.9	63,900 *																			65	
70	73.4	311.5	63,200 *																			70	
75	71.9	309.9	61,200 *																			75	
80	70.4	308.1	58,800 *																			80	
85	68.9	306.2	56,300 *																			85	
90	67.3	304.2	53,900 *	70.3	307.2	58,800 *																90	
95	65.8	302.0	51,400 *	68.8	305.3	56,400 *																95	
100	64.2	299.6	49,000 *	67.3	303.2	54,100 *																100	
105	62.6	297.1	46,600 *	65.7	301.0	51,700 *	67.5	302.6	56,900 *													105	
110	60.9	294.3	44,300 *	64.1	298.6	49,300 *	65.9	300.4	54,300 *													110	
115	59.3	291.4	42,100 *	62.5	296.1	46,900 *	64.4	298.1	51,700 *													115	
120	57.6	288.3	39,700 *	60.9	293.3	44,700 *	62.8	295.5	49,100 *													120	
130	54.1	281.4	34,900 *	57.5	287.3	39,600 *	59.5	289.9	42,800 *	62.6	293.1	46,600 *										130	
140	50.5	273.6	30,900 *	54.0	280.4	34,800 *	56.1	283.5	37,500 *	59.3	287.4	42,400 *										140	
150	46.6	264.7	27,500 *	50.4	272.5	30,900 *	52.5	276.3	33,100 *	55.9	281.0	37,300 *										150	
160	42.5	254.4	24,600 *	46.5	263.5	27,500 *	48.8	268.0	29,400 *	52.4	273.7	33,000 *	55.7	277.5	37,000 *							160	
170	38.1	242.4	22,000 *	42.4	253.2	24,500 *	44.9	258.5	26,200 *	48.6	265.3	29,300 *	52.1	270.1	32,700 *							170	
180	33.1	228.3	19,800 *	38.0	241.2	22,000 *	40.6	247.5	23,500 *	44.7	255.8	26,100 *	48.4	261.6	29,100 *	51.7	265.4	32,300 *				180	
190	27.3	210.9	17,800 *	33.0	227.0	19,700 *	35.9	234.6	21,000 *	40.4	244.7	23,400 *	44.4	252.0	25,900 *	48.0	256.9	28,700 *				190	
200	20.1	187.7	16,000 *	27.2	209.5	17,700 *	30.7	219.2	18,900 *	35.7	231.8	20,900 *	40.1	240.8	23,200 *	44.0	247.1	25,600 *	47.4	251.0	26,900 *	200	
210		8.0	146.6	12,200 *	19.9	186.1	15,900 *	24.4	199.7	17,000 *	30.4	216.2	18,800 *	35.4	227.7	20,800 *	39.6	235.8	23,000 *	43.4	241.0	24,700 *	210
220					7.4	143.8	13,000 *	15.9	171.9	15,300 *	24.1	196.4	16,900 *	30.0	211.9	18,700 *	34.9	222.4	20,600 *	39.0	229.4	22,600 *	220
230											15.4	168.0	15,200 *	23.6	191.8	16,800 *	29.4	206.3	18,500 *	34.2	215.8	20,300 *	230
240													14.6	162.2	15,100 *	22.8	185.5	16,600 *	28.6	199.1	18,300 *	240	
250																13.4	154.3	15,000 *	21.8	177.5	16,400 *	250	
260																			11.5	143.3	14,700 *	260	



# Liftcrane Luffing Jib Capacities

# M-250 SERIES 3

Luffing Jib No. 133 or No. 133A On  
 Boom No. 44 With Heavy Lift Top  
 248,700 Lb. Crane Counterweight  
 120,000 Lb. Carbody Counterweight  
 360 Degree Rating

Designed And Tested  
 With The Intent To Be In  
 The Scope of ANSI B30.5

## 120 Ft. Boom, 70 Ft. Jib

Jib Oper. Rad. Feet	88 Degree Boom Angle			83 Degree Boom Angle			80 Degree Boom Angle			75 Degree Boom Angle			70 Degree Boom Angle			65 Degree Boom Angle			60 Degree Boom Angle			Jib Oper. Rad. Feet
	Jib Ang. Deg.	Jib Point Elev. Feet	Luffing Jib Capacity Pounds	Jib Ang. Deg.	Jib Point Elev. Feet	Luffing Jib Capacity Pounds	Jib Ang. Deg.	Jib Point Elev. Feet	Luffing Jib Capacity Pounds	Jib Ang. Deg.	Jib Point Elev. Feet	Luffing Jib Capacity Pounds	Jib Ang. Deg.	Jib Point Elev. Feet	Luffing Jib Capacity Pounds	Jib Ang. Deg.	Jib Point Elev. Feet	Luffing Jib Capacity Pounds	Jib Ang. Deg.	Jib Point Elev. Feet	Luffing Jib Capacity Pounds	
40	67.6	194.3	165,800 *b																			40
45	63.0	191.9	154,200 *b																			45
50	58.3	189.0	139,400 *b	68.1	193.7	163,600 *b																50
55	53.3	185.5	121,600 *	63.6	191.3	153,600 *b																55
60	47.9	181.2	107,600 *	58.9	188.4	142,100 *b	64.8	191.0	158,600 *b													60
65	42.0	176.0	96,300 *	53.9	185.0	123,600 *	60.2	188.2	148,300 *b													65
70	35.3	169.5	87,000 *	48.6	180.8	109,200 *	55.3	184.9	128,500 *b													70
75	27.1	160.9	79,200 *	42.8	175.7	97,600 *	50.0	181.0	113,100 *	60.5	186.0	127,900 b										75
80	15.2	147.2	72,500 *	36.2	169.4	88,100 *	44.4	176.2	100,800 *	55.6	182.8	118,100 b										80
85				28.2	161.2	80,200 *	38.0	170.2	90,800 *	50.4	178.9	109,600										85
90				17.1	148.6	73,400 *	30.5	162.6	82,400 *	44.8	174.2	101,700 *	55.8	179.6	98,400 b							90
95							20.6	151.6	75,300 *	38.5	168.3	91,500 *	50.6	175.7	92,100							95
100										31.2	160.9	83,100 *	45.0	171.0	86,500							100
105										21.6	150.3	75,900 *	38.7	165.2	81,400	50.4	171.3	78,400				105
110													31.4	157.8	76,800	44.7	166.6	74,100				110
115													21.9	147.3	72,700	38.4	160.7	70,100				115
120																31.1	153.3	66,500	44.0	160.9	64,000	120
130																30.1	147.2	57,900			57,900	130



# Liftcrane Luffing Jib Capacities

Luffing Jib No. 133 or No. 133A On  
 Boom No. 44 With Heavy Lift Top  
 248,700 Lb. Crane Counterweight  
 120,000 Lb. Carbody Counterweight  
 360 Degree Rating

Designed And Tested  
 With The Intent To Be In  
 The Scope of ANSI B30.5

## M-250 SERIES 3

### 120 Ft. Boom, 80 Ft. Jib

Jib Oper. Rad. Feet	88 Degree Boom Angle			83 Degree Boom Angle			80 Degree Boom Angle			75 Degree Boom Angle			70 Degree Boom Angle			65 Degree Boom Angle			60 Degree Boom Angle			Jib Oper. Rad. Feet
	Jib Ang. Deg.	Jib Point Elev. Feet	Luffing Jib Capacity Pounds	Jib Ang. Deg.	Jib Point Elev. Feet	Luffing Jib Capacity Pounds	Jib Ang. Deg.	Jib Point Elev. Feet	Luffing Jib Capacity Pounds	Jib Ang. Deg.	Jib Point Elev. Feet	Luffing Jib Capacity Pounds	Jib Ang. Deg.	Jib Point Elev. Feet	Luffing Jib Capacity Pounds	Jib Ang. Deg.	Jib Point Elev. Feet	Luffing Jib Capacity Pounds	Jib Ang. Deg.	Jib Point Elev. Feet	Luffing Jib Capacity Pounds	
40	70.5	205.1	160,100 *b																			40
45	66.6	203.1	150,100 *b																			45
50	62.7	200.6	138,900 *b	71.0	204.4	158,200 *b																50
55	58.5	197.7	122,300 *	67.1	202.4	148,900 *b																55
60	54.1	194.2	108,200 *	63.2	200.0	139,500 *b																60
65	49.5	190.2	96,800 *	59.0	197.1	124,400 *	64.2	199.6	145,400 *b													65
70	44.6	185.4	87,400 *	54.7	193.7	109,800 *	60.1	196.9	129,200 *													70
75	39.1	179.6	79,600 *	50.1	189.8	98,100 *	55.9	193.7	113,700 *													75
80	32.9	172.5	72,900 *	45.2	185.0	88,500 *	51.4	189.8	101,300 *	60.5	194.7	117,500										80
85	25.3	163.1	67,100 *	39.8	179.4	80,500 *	46.5	185.4	91,200 *	56.2	191.5	109,000										85
90	14.1	148.4	62,000 *	33.7	172.5	73,700 *	41.3	180.0	82,700 *	51.7	187.7	101,600										90
95				26.3	163.5	67,800 *	35.4	173.5	75,600 *	46.9	183.3	91,900 *	56.3	188.3	91,500							95
100				15.9	149.9	62,700 *	28.4	165.1	69,500 *	41.7	178.0	83,400 *	51.8	184.5	85,900							100
105							19.2	153.3	64,200 *	35.9	171.6	76,200 *	47.1	180.1	80,900							105
110										29.0	163.4	70,000 *	41.9	174.9	76,400	51.7	180.2	73,400				110
115										20.1	152.0	64,600 *	36.1	168.5	72,300	46.9	175.7	69,500				115
120													29.2	160.4	68,500	41.7	170.4	65,900				120
130																29.0	155.8	59,600	41.0	164.7	57,300	130
140																28.0	149.7	52,200				140





# Liftcrane Luffing Jib Capacities

# M-250 SERIES 3

Luffing Jib No. 133 or No. 133A On  
 Boom No. 44 With Heavy Lift Top  
 248,700 Lb. Crane Counterweight  
 120,000 Lb. Carbody Counterweight  
 360 Degree Rating

Designed And Tested  
 With The Intent To Be In  
 The Scope of ANSI B30.5

## 120 Ft. Boom, 90 Ft. Jib

Jib Oper. Rad. Feet	88 Degree Boom Angle			83 Degree Boom Angle			80 Degree Boom Angle			75 Degree Boom Angle			70 Degree Boom Angle			65 Degree Boom Angle			60 Degree Boom Angle			Jib Oper. Rad. Feet
	Jib Ang. Deg.	Jib Point Elev. Feet	Luffing Jib Capacity Pounds	Jib Ang. Deg.	Jib Point Elev. Feet	Luffing Jib Capacity Pounds	Jib Ang. Deg.	Jib Point Elev. Feet	Luffing Jib Capacity Pounds	Jib Ang. Deg.	Jib Point Elev. Feet	Luffing Jib Capacity Pounds	Jib Ang. Deg.	Jib Point Elev. Feet	Luffing Jib Capacity Pounds	Jib Ang. Deg.	Jib Point Elev. Feet	Luffing Jib Capacity Pounds	Jib Ang. Deg.	Jib Point Elev. Feet	Luffing Jib Capacity Pounds	
38	74.1	216.3	158,500 *b																			38
40	72.8	215.7	154,600 *b																			40
45	69.4	213.9	145,400 *b																			45
50	65.9	211.8	136,000 *b																			50
55	62.4	209.3	122,900 *	69.8	213.2	144,300 *b																55
60	58.7	206.3	108,600 *	66.4	211.1	136,400 *b																60
65	54.8	203.0	97,100 *	62.8	208.6	124,900 *	67.3	210.7	141,900 *b													65
70	50.8	199.0	87,700 *	59.1	205.8	110,300 *	63.8	208.3	129,800 *													70
75	46.5	194.5	79,800 *	55.3	202.5	98,500 *	60.1	205.6	114,100 *													75
80	41.9	189.2	73,000 *	51.3	198.6	88,800 *	56.3	202.4	101,600 *													80
85	36.7	182.9	67,200 *	47.0	194.2	80,700 *	52.4	198.7	91,400 *	60.4	203.4	108,600										85
90	30.9	175.2	62,200 *	42.5	189.0	73,900 *	48.2	194.4	83,000 *	56.6	200.2	101,200										90
95	23.7	165.2	57,700 *	37.4	182.8	68,000 *	43.7	189.4	75,800 *	52.7	196.5	92,200 *										95
100	13.2	149.5	53,800 *	31.7	175.3	62,800 *	38.8	183.5	69,600 *	48.5	192.3	83,600 *	56.7	197.0	85,400							100
105				24.7	165.7	58,300 *	33.3	176.5	64,300 *	44.1	187.4	76,300 *	52.8	193.3	80,400							105
110				15.0	151.2	54,300 *	26.7	167.5	59,600 *	39.2	181.6	70,100 *	48.6	189.1	75,900							110
115							18.1	154.9	55,500 *	33.7	174.6	64,700 *	44.2	184.2	71,900	52.7	189.0	69,100				115
120										27.3	165.9	60,000 *	39.3	178.5	68,200	48.5	184.8	65,500				120
130													27.5	162.8	60,200 *	39.1	174.0	59,200	48.0	179.2	56,900	130
140																27.2	158.2	53,900	38.5	168.2	51,800	140
150																			26.4	152.0	47,400	150



# Liftcrane Luffing Jib Capacities

Luffing Jib No. 133 or No. 133A On  
 Boom No. 44 With Heavy Lift Top  
 248,700 Lb. Crane Counterweight  
 120,000 Lb. Carbody Counterweight  
 360 Degree Rating

Designed And Tested  
 With The Intent To Be In  
 The Scope of ANSI B30.5

## M-250 SERIES 3

### 120 Ft. Boom, 100 Ft. Jib

Jib Oper. Rad. Feet	88 Degree Boom Angle			83 Degree Boom Angle			80 Degree Boom Angle			75 Degree Boom Angle			70 Degree Boom Angle			65 Degree Boom Angle			60 Degree Boom Angle			Jib Oper. Rad. Feet
	Jib Ang. Deg.	Jib Point Elev. Feet	Luffing Jib Capacity Pounds	Jib Ang. Deg.	Jib Point Elev. Feet	Luffing Jib Capacity Pounds	Jib Ang. Deg.	Jib Point Elev. Feet	Luffing Jib Capacity Pounds	Jib Ang. Deg.	Jib Point Elev. Feet	Luffing Jib Capacity Pounds	Jib Ang. Deg.	Jib Point Elev. Feet	Luffing Jib Capacity Pounds	Jib Ang. Deg.	Jib Point Elev. Feet	Luffing Jib Capacity Pounds	Jib Ang. Deg.	Jib Point Elev. Feet	Luffing Jib Capacity Pounds	
38	75.7	226.7	152,400 *b																			38
40	74.5	226.2	148,800 *b																			40
45	71.5	224.6	140,400 *b																			45
50	68.5	222.7	132,600 *b																			50
55	65.3	220.5	123,000 *																			55
60	62.1	217.9	108,700 *	68.9	222.0	132,200 *b																60
65	58.8	215.0	97,100 *	65.7	219.8	124,400 *																65
70	55.4	211.7	87,600 *	62.5	217.3	110,400 *	66.6	219.4	129,900 *													70
75	51.8	207.9	79,700 *	59.2	214.4	98,500 *	63.4	217.0	114,200 *													75
80	48.0	203.6	72,900 *	55.8	211.2	88,800 *	60.1	214.2	101,600 *													80
85	43.9	198.6	67,100 *	52.2	207.4	80,600 *	56.7	211.1	91,400 *													85
90	39.6	192.8	62,000 *	48.5	203.2	73,700 *	53.2	207.4	82,900 *	60.4	212.0	100,600										90
95	34.7	186.1	57,600 *	44.5	198.3	67,800 *	49.5	203.3	75,700 *	57.0	208.9	92,200 *										95
100	29.2	177.8	53,600 *	40.1	192.7	62,700 *	45.5	198.6	69,500 *	53.5	205.3	83,500 *										100
105	22.5	167.2	50,100 *	35.4	186.0	58,100 *	41.3	193.2	64,100 *	49.8	201.3	76,200 *	57.1	205.7	79,800							105
110	12.5	150.6	46,900 *	30.0	178.0	54,100 *	36.7	186.9	59,400 *	45.9	196.6	70,000 *	53.6	202.1	75,400							110
115				23.4	167.7	50,600 *	31.5	179.3	55,300 *	41.7	191.2	64,600 *	49.9	198.1	71,300							115
120				14.2	152.4	47,300 *	25.3	169.7	51,600 *	37.1	185.0	59,800 *	46.0	193.4	67,600							120
130										25.8	168.2	51,900 *	37.2	181.9	60,000 *	45.8	189.0	58,700				130
140													26.0	165.1	52,100 *	37.0	177.4	53,400	45.3	183.4	51,200	140
150																25.8	160.5	48,800	36.4	171.6	46,800	150
160																			24.9	154.2	43,000	160



# Liftcrane Luffing Jib Capacities

# M-250 SERIES 3

Luffing Jib No. 133 or No. 133A On  
 Boom No. 44 With Heavy Lift Top  
 248,700 Lb. Crane Counterweight  
 120,000 Lb. Carbody Counterweight  
 360 Degree Rating

Designed And Tested  
 With The Intent To Be In  
 The Scope of ANSI B30.5

## 120 Ft. Boom, 110 Ft. Jib

Jib Oper. Rad. Feet	88 Degree Boom Angle			83 Degree Boom Angle			80 Degree Boom Angle			75 Degree Boom Angle			70 Degree Boom Angle			65 Degree Boom Angle			60 Degree Boom Angle			Jib Oper. Rad. Feet
	Jib Ang. Deg.	Jib Point Elev. Feet	Luffing Jib Capacity Pounds	Jib Ang. Deg.	Jib Point Elev. Feet	Luffing Jib Capacity Pounds	Jib Ang. Deg.	Jib Point Elev. Feet	Luffing Jib Capacity Pounds	Jib Ang. Deg.	Jib Point Elev. Feet	Luffing Jib Capacity Pounds	Jib Ang. Deg.	Jib Point Elev. Feet	Luffing Jib Capacity Pounds	Jib Ang. Deg.	Jib Point Elev. Feet	Luffing Jib Capacity Pounds	Jib Ang. Deg.	Jib Point Elev. Feet	Luffing Jib Capacity Pounds	
40	76.0	236.5	140,800 *b																			40
45	73.3	235.1	134,500 *b																			45
50	70.5	233.4	127,400 *																			50
55	67.7	231.4	120,300 *																			55
60	64.9	229.2	111,900 *	70.9	232.7	127,000 *																60
65	61.9	226.6	99,900 *	68.1	230.7	120,900 *																65
70	58.9	223.7	90,100 *	65.2	228.5	113,600 *																70
75	55.8	220.4	81,900 *	62.3	226.0	101,300 *	66.0	228.1	117,500 *													75
80	52.6	216.7	74,900 *	59.3	223.1	91,300 *	63.1	225.7	104,500 *													80
85	49.2	212.5	68,900 *	56.2	219.9	82,800 *	60.1	222.9	93,900 *													85
90	45.6	207.8	63,600 *	53.0	216.2	75,700 *	57.0	219.7	85,100 *													90
95	41.8	202.4	59,100 *	49.6	212.1	69,600 *	53.8	216.2	77,600 *	60.3	220.7	93,600										95
100	37.6	196.3	55,000 *	46.0	207.5	64,300 *	50.5	212.2	71,300 *	57.3	217.6	85,700 *										100
105	33.1	189.0	51,400 *	42.3	202.2	59,600 *	47.0	207.7	65,700 *	54.1	214.1	78,200 *										105
110	27.8	180.3	48,200 *	38.2	196.1	55,500 *	43.3	202.6	60,900 *	50.8	210.1	71,800 *	57.3	214.3	74,800							110
115	21.4	169.0	45,200 *	33.7	189.1	51,900 *	39.3	196.8	56,700 *	47.3	205.7	66,200 *	54.2	210.9	70,800							115
120	11.9	151.6	40,700 *	28.5	180.5	48,600 *	34.9	190.0	52,900 *	43.6	200.6	61,300 *	50.9	206.9	67,100							120
130				13.5	153.5	42,900 *	24.1	171.9	46,500 *	35.3	188.2	53,200 *	43.7	197.5	60,700	50.7	202.6	58,100				130
140										24.6	170.3	46,700 *	35.4	185.1	53,300 *	43.5	193.1	52,900				140
150													24.8	167.3	46,800 *	35.2	180.6	48,400	43.1	187.4	46,300	150
160																24.5	162.7	44,400	34.7	174.7	42,500	160
170																			23.7	156.3	39,200	170



# Liftcrane Luffing Jib Capacities

Luffing Jib No. 133 or No. 133A On  
 Boom No. 44 With Heavy Lift Top  
 248,700 Lb. Crane Counterweight  
 120,000 Lb. Carbody Counterweight  
 360 Degree Rating

Designed And Tested  
 With The Intent To Be In  
 The Scope of ANSI B30.5

## M-250 SERIES 3

### 120 Ft. Boom, 120 Ft. Jib

Jib Oper. Rad. Feet	88 Degree Boom Angle			83 Degree Boom Angle			80 Degree Boom Angle			75 Degree Boom Angle			70 Degree Boom Angle			65 Degree Boom Angle			60 Degree Boom Angle			Jib Oper. Rad. Feet
	Jib Ang. Deg.	Jib Point Elev. Feet	Luffing Jib Capacity Pounds	Jib Ang. Deg.	Jib Point Elev. Feet	Luffing Jib Capacity Pounds	Jib Ang. Deg.	Jib Point Elev. Feet	Luffing Jib Capacity Pounds	Jib Ang. Deg.	Jib Point Elev. Feet	Luffing Jib Capacity Pounds	Jib Ang. Deg.	Jib Point Elev. Feet	Luffing Jib Capacity Pounds	Jib Ang. Deg.	Jib Point Elev. Feet	Luffing Jib Capacity Pounds	Jib Ang. Deg.	Jib Point Elev. Feet	Luffing Jib Capacity Pounds	
45	74.7	245.5	125,900 *b																			45
50	72.2	244.0	121,100 *																			50
55	69.7	242.2	116,700 *																			55
60	67.1	240.2	110,000 *																			60
65	64.5	237.9	99,600 *	70.0	241.5	117,000 *																65
70	61.8	235.2	89,800 *	67.4	239.5	111,200 *																70
75	59.0	232.3	81,500 *	64.8	237.2	101,000 *																75
80	56.2	229.1	74,500 *	62.1	234.6	90,900 *	65.5	236.8	104,200 *													80
85	53.2	225.5	68,500 *	59.4	231.8	82,500 *	62.8	234.3	93,600 *													85
90	50.1	221.4	63,300 *	56.5	228.6	75,400 *	60.1	231.5	84,700 *													90
95	46.9	216.9	58,700 *	53.6	225.0	69,200 *	57.3	228.4	77,300 *	63.0	232.1	93,000										95
100	43.5	211.8	54,600 *	50.5	221.0	63,900 *	54.4	224.9	70,900 *	60.3	229.3	85,400 *										100
105	39.9	206.1	51,000 *	47.3	216.5	59,200 *	51.3	221.1	65,400 *	57.5	226.3	77,800 *										105
110	36.0	199.5	47,700 *	44.0	211.5	55,100 *	48.2	216.8	60,500 *	54.6	222.8	71,400 *										110
115	31.6	191.9	44,800 *	40.4	205.9	51,400 *	44.9	211.9	56,300 *	51.6	219.0	65,800 *	57.6	223.0	70,200							115
120	26.6	182.7	42,200 *	36.5	199.5	48,200 *	41.3	206.4	52,500 *	48.4	214.7	60,900 *	54.7	219.6	66,600							120
130	11.4	152.5	35,900 *	27.2	183.0	42,500 *	33.3	193.0	46,000 *	41.6	204.5	52,800 *	48.5	211.5	60,200							130
140				12.9	154.6	37,800 *	23.0	173.9	40,800 *	33.7	191.2	46,300 *	41.7	201.3	52,900 *	48.4	207.1	52,300				140
150										23.5	172.4	41,000 *	33.8	188.1	46,400 *	41.6	196.9	47,800	48.0	201.6	45,700	150
160													23.7	169.4	41,100 *	33.6	183.6	44,000	41.1	191.2	42,000	160
170																23.4	164.7	40,500	33.1	177.7	38,700 *	170
180																			22.7	158.3	35,600 *	180



# Liftcrane Luffing Jib Capacities

# M-250 SERIES 3

Luffing Jib No. 133 or No. 133A On  
 Boom No. 44 With Heavy Lift Top  
 248,700 Lb. Crane Counterweight  
 120,000 Lb. Carbody Counterweight  
 360 Degree Rating

Designed And Tested  
 With The Intent To Be In  
 The Scope of ANSI B30.5

## 120 Ft. Boom, 130 Ft. Jib

Jib Oper. Rad. Feet	88 Degree Boom Angle			83 Degree Boom Angle			80 Degree Boom Angle			75 Degree Boom Angle			70 Degree Boom Angle			65 Degree Boom Angle			60 Degree Boom Angle			Jib Oper. Rad. Feet
	Jib Ang. Deg.	Jib Point Elev. Feet	Luffing Jib Capacity Pounds	Jib Ang. Deg.	Jib Point Elev. Feet	Luffing Jib Capacity Pounds	Jib Ang. Deg.	Jib Point Elev. Feet	Luffing Jib Capacity Pounds	Jib Ang. Deg.	Jib Point Elev. Feet	Luffing Jib Capacity Pounds	Jib Ang. Deg.	Jib Point Elev. Feet	Luffing Jib Capacity Pounds	Jib Ang. Deg.	Jib Point Elev. Feet	Luffing Jib Capacity Pounds	Jib Ang. Deg.	Jib Point Elev. Feet	Luffing Jib Capacity Pounds	
45	75.9	255.9	116,400 *b																			45
50	73.6	254.5	112,300 *																			50
55	71.3	252.9	108,300 *																			55
60	68.9	251.0	104,500 *																			60
65	66.6	248.9	100,400 *																			65
70	64.1	246.5	90,400 *	69.2	250.3	106,300 *																70
75	61.6	243.9	82,000 *	66.9	248.2	101,900 *																75
80	59.1	241.0	74,900 *	64.4	245.9	91,600 *	67.5	247.8	105,100 *													80
85	56.5	237.8	68,800 *	61.9	243.3	83,000 *	65.1	245.5	94,300 *													85
90	53.8	234.2	63,500 *	59.4	240.4	75,800 *	62.6	243.0	85,300 *													90
95	51.0	230.3	58,800 *	56.8	237.2	69,600 *	60.1	240.2	77,700 *													95
100	48.0	225.9	54,700 *	54.1	233.7	64,200 *	57.5	237.1	71,200 *	62.8	240.8	86,000 *										100
105	45.0	221.1	51,100 *	51.3	229.8	59,400 *	54.8	233.7	65,600 *	60.3	238.0	78,300 *										105
110	41.7	215.7	47,800 *	48.4	225.5	55,300 *	52.1	229.9	60,700 *	57.7	234.9	71,700 *										110
115	38.2	209.6	44,900 *	45.4	220.8	51,600 *	49.2	225.7	56,400 *	55.0	231.5	66,100 *										115
120	34.5	202.7	42,200 *	42.1	215.4	48,200 *	46.2	221.1	52,600 *	52.3	227.8	61,100 *	57.8	231.7	66,300							120
130	25.5	184.9	37,500 *	35.0	202.6	42,500 *	39.6	210.1	46,100 *	46.4	219.0	52,900 *	52.3	224.6	59,900							130
140	10.9	153.4	32,000 *	26.1	185.3	37,800 *	32.0	195.9	40,800 *	39.9	208.1	46,300 *	46.5	215.8	53,000 *	52.2	220.2	52,100				140
150				12.3	155.7	33,800 *	22.1	175.8	36,300 *	32.3	194.1	41,000 *	40.0	205.0	46,500 *	46.4	211.4	47,600				150
160										22.5	174.4	36,500 *	32.4	191.0	41,100 *	39.9	200.6	43,700	46.0	205.8	41,700	160
170													22.7	171.4	36,600 *	32.3	186.5	40,300	39.4	194.8	38,400 *	170
180																22.5	166.7	36,500 *	31.8	180.5	35,400 *	180
190																			21.8	160.2	32,600 *	190



# Liftcrane Luffing Jib Capacities

Luffing Jib No. 133 or No. 133A On  
 Boom No. 44 With Heavy Lift Top  
 248,700 Lb. Crane Counterweight  
 120,000 Lb. Carbody Counterweight  
 360 Degree Rating

Designed And Tested  
 With The Intent To Be In  
 The Scope of ANSI B30.5

## M-250 SERIES 3

### 120 Ft. Boom, 140 Ft. Jib

Jib Oper. Rad. Feet	88 Degree Boom Angle			83 Degree Boom Angle			80 Degree Boom Angle			75 Degree Boom Angle			70 Degree Boom Angle			65 Degree Boom Angle			60 Degree Boom Angle			Jib Oper. Rad. Feet
	Jib Ang. Deg.	Jib Point Elev. Feet	Luffing Jib Capacity Pounds	Jib Ang. Deg.	Jib Point Elev. Feet	Luffing Jib Capacity Pounds	Jib Ang. Deg.	Jib Point Elev. Feet	Luffing Jib Capacity Pounds	Jib Ang. Deg.	Jib Point Elev. Feet	Luffing Jib Capacity Pounds	Jib Ang. Deg.	Jib Point Elev. Feet	Luffing Jib Capacity Pounds	Jib Ang. Deg.	Jib Point Elev. Feet	Luffing Jib Capacity Pounds	Jib Ang. Deg.	Jib Point Elev. Feet	Luffing Jib Capacity Pounds	
50	74.8	264.9	105,000 *																			50
55	72.7	263.4	101,500 *																			55
60	70.5	261.7	97,900 *																			60
65	68.3	259.8	94,600 *																			65
70	66.1	257.6	90,000 *	70.8	261.0	99,300 *																70
75	63.8	255.2	81,600 *	68.6	259.1	96,300 *																75
80	61.5	252.6	74,500 *	66.4	256.9	91,200 *																80
85	59.1	249.7	68,400 *	64.1	254.6	82,600 *	67.0	256.5	93,900 *													85
90	56.7	246.5	63,100 *	61.8	252.0	75,400 *	64.7	254.2	84,900 *													90
95	54.2	243.0	58,400 *	59.4	249.1	69,100 *	62.4	251.7	77,300 *													95
100	51.6	239.1	54,300 *	57.0	245.9	63,700 *	60.1	248.9	70,800 *													100
105	49.0	234.9	50,600 *	54.5	242.5	59,000 *	57.7	245.8	65,200 *	62.6	249.4	77,900 *										105
110	46.2	230.2	47,300 *	52.0	238.7	54,800 *	55.2	242.4	60,300 *	60.3	246.7	71,300 *										110
115	43.2	225.1	44,400 *	49.3	234.5	51,100 *	52.7	238.7	56,000 *	57.9	243.6	65,600 *										115
120	40.1	219.3	41,700 *	46.5	229.9	47,800 *	50.0	234.6	52,100 *	55.4	240.2	60,700 *										120
130	33.2	205.6	37,100 *	40.5	219.1	42,100 *	44.4	225.2	45,600 *	50.2	232.5	52,400 *	55.5	237.0	59,300							130
140	24.5	187.1	33,100 *	33.6	205.6	37,300 *	38.1	213.5	40,300 *	44.6	223.1	45,900 *	50.3	229.3	52,600 *							140
150	10.5	154.3	28,300 *	25.1	187.5	33,400 *	30.8	198.7	35,900 *	38.4	211.6	40,500 *	44.7	220.0	46,000 *	50.2	225.0	47,000				150
160				11.9	156.7	29,900 *	21.2	177.7	32,100 *	31.1	196.9	36,100 *	38.5	208.5	40,600 *	44.6	215.6	43,200				160
170										21.7	176.3	32,300 *	31.2	193.8	36,100 *	38.3	204.0	39,800	44.2	209.9	37,800 *	170
180													21.8	173.3	32,300 *	31.0	189.3	36,100 *	37.9	198.2	34,700 *	180
190																21.6	168.6	32,300 *	30.6	183.3	32,000 *	190
200																			20.9	162.0	29,500 *	200



# Liftcrane Luffing Jib Capacities

# M-250 SERIES 3

Luffing Jib No. 133 or No. 133A On  
 Boom No. 44 With Heavy Lift Top  
 248,700 Lb. Crane Counterweight  
 120,000 Lb. Carbody Counterweight  
 360 Degree Rating

Designed And Tested  
 With The Intent To Be In  
 The Scope of ANSI B30.5

## 120 Ft. Boom, 150 Ft. Jib

Jib Oper. Rad. Feet	88 Degree Boom Angle			83 Degree Boom Angle			80 Degree Boom Angle			75 Degree Boom Angle			70 Degree Boom Angle			65 Degree Boom Angle			60 Degree Boom Angle			Jib Oper. Rad. Feet
	Jib Ang. Deg.	Jib Point Elev. Feet	Luffing Jib Capacity Pounds	Jib Ang. Deg.	Jib Point Elev. Feet	Luffing Jib Capacity Pounds	Jib Ang. Deg.	Jib Point Elev. Feet	Luffing Jib Capacity Pounds	Jib Ang. Deg.	Jib Point Elev. Feet	Luffing Jib Capacity Pounds	Jib Ang. Deg.	Jib Point Elev. Feet	Luffing Jib Capacity Pounds	Jib Ang. Deg.	Jib Point Elev. Feet	Luffing Jib Capacity Pounds	Jib Ang. Deg.	Jib Point Elev. Feet	Luffing Jib Capacity Pounds	
50	75.9	275.3	99,800 *																			50
55	73.9	273.9	96,800 *																			55
60	71.9	272.3	93,800 *																			60
65	69.8	270.5	90,900 *																			65
70	67.8	268.5	88,100 *																			70
75	65.7	266.3	82,400 *	70.1	269.8	92,000 *																75
80	63.6	263.9	75,200 *	68.0	267.8	89,500 *																80
85	61.4	261.2	69,000 *	66.0	265.6	83,500 *																85
90	59.2	258.3	63,600 *	63.8	263.3	76,100 *	66.5	265.2	85,700 *													90
95	56.9	255.1	58,900 *	61.7	260.6	69,800 *	64.4	262.9	78,000 *													95
100	54.6	251.7	54,700 *	59.5	257.7	64,300 *	62.3	260.3	71,400 *													100
105	52.2	247.9	51,000 *	57.2	254.6	59,500 *	60.1	257.5	65,700 *													105
110	49.8	243.8	47,700 *	54.9	251.2	55,300 *	57.8	254.4	60,800 *	62.4	258.1	71,900 *										110
115	47.2	239.3	44,700 *	52.5	247.4	51,500 *	55.5	251.1	56,400 *	60.2	255.3	66,200 *										115
120	44.5	234.3	42,000 *	50.1	243.4	48,100 *	53.2	247.4	52,500 *	58.0	252.3	61,200 *										120
130	38.7	222.9	37,300 *	44.8	234.0	42,400 *	48.2	239.1	45,900 *	53.4	245.3	52,800 *										130
140	32.0	208.5	33,300 *	39.1	222.7	37,600 *	42.8	229.1	40,600 *	48.4	237.0	46,200 *	53.4	242.1	53,000 *							140
150	23.7	189.2	29,900 *	32.4	208.6	33,600 *	36.8	216.9	36,100 *	43.0	227.1	40,800 *	48.5	233.8	46,300 *							150
160	10.1	155.2	24,300 *	24.3	189.6	30,100 *	29.7	201.3	32,300 *	37.0	215.0	36,300 *	43.1	223.9	40,900 *	48.4	229.5	42,700				160
170				11.4	157.7	26,200 *	20.5	179.5	29,000 *	30.0	199.6	32,400 *	37.1	211.9	36,300 *	43.0	219.5	39,300				170
180										20.9	178.1	29,200 *	30.1	196.5	32,500 *	37.0	207.4	36,300 *	42.6	213.9	34,100 *	180
190													21.1	175.1	29,200 *	29.9	192.0	32,500 *	36.6	201.6	31,400 *	190
200																20.9	170.4	29,200 *	29.5	185.9	28,900 *	200
210																			20.2	163.8	26,700 *	210



# Liftcrane Luffing Jib Capacities

Luffing Jib No. 133 or No. 133A On  
 Boom No. 44 With Heavy Lift Top  
 248,700 Lb. Crane Counterweight  
 120,000 Lb. Carbody Counterweight  
 360 Degree Rating

Designed And Tested  
 With The Intent To Be In  
 The Scope of ANSI B30.5

## M-250 SERIES 3

### 120 Ft. Boom, 160 Ft. Jib

Jib Oper. Rad. Feet	88 Degree Boom Angle			83 Degree Boom Angle			80 Degree Boom Angle			75 Degree Boom Angle			70 Degree Boom Angle			65 Degree Boom Angle			60 Degree Boom Angle			Jib Oper. Rad. Feet
	Jib Ang. Deg.	Jib Point Elev. Feet	Luffing Jib Capacity Pounds	Jib Ang. Deg.	Jib Point Elev. Feet	Luffing Jib Capacity Pounds	Jib Ang. Deg.	Jib Point Elev. Feet	Luffing Jib Capacity Pounds	Jib Ang. Deg.	Jib Point Elev. Feet	Luffing Jib Capacity Pounds	Jib Ang. Deg.	Jib Point Elev. Feet	Luffing Jib Capacity Pounds	Jib Ang. Deg.	Jib Point Elev. Feet	Luffing Jib Capacity Pounds	Jib Ang. Deg.	Jib Point Elev. Feet	Luffing Jib Capacity Pounds	
55	74.9	284.3	89,300 *																			55
60	73.0	282.8	86,700 *																			60
65	71.2	281.1	84,100 *																			65
70	69.2	279.3	81,500 *																			70
75	67.3	277.3	79,000 *																			75
80	65.4	275.0	75,500 *	69.5	278.6	82,600 *																80
85	63.4	272.6	69,200 *	67.6	276.6	80,300 *																85
90	61.3	269.9	63,700 *	65.6	274.4	76,400 *																90
95	59.3	267.0	58,900 *	63.6	271.9	70,000 *	66.1	273.9	78,400 *													95
100	57.1	263.8	54,700 *	61.6	269.3	64,400 *	64.1	271.6	71,700 *													100
105	55.0	260.4	50,900 *	59.5	266.4	59,500 *	62.1	269.0	65,900 *													105
110	52.7	256.7	47,500 *	57.4	263.3	55,200 *	60.1	266.2	60,800 *													110
115	50.4	252.7	44,500 *	55.2	259.9	51,400 *	58.0	263.1	56,400 *	62.3	266.8	66,300 *										115
120	48.1	248.3	41,800 *	53.0	256.2	48,000 *	55.8	259.8	52,400 *	60.2	264.0	61,200 *										120
130	43.0	238.3	37,000 *	48.4	247.9	42,100 *	51.3	252.3	45,700 *	56.0	257.6	52,700 *										130
140	37.4	226.3	33,000 *	43.3	238.0	37,300 *	46.6	243.4	40,300 *	51.5	250.2	46,000 *	56.0	254.4	52,900 *							140
150	30.9	211.3	29,500 *	37.8	226.1	33,200 *	41.4	232.9	35,800 *	46.7	241.4	40,500 *	51.6	247.0	46,100 *							150
160	22.9	191.2	26,600 *	31.4	211.4	29,800 *	35.5	220.1	31,900 *	41.6	230.9	35,900 *	46.8	238.2	40,600 *	51.5	242.6	42,100				160
170	9.8	156.0	21,500 *	23.5	191.7	26,800 *	28.7	203.9	28,700 *	35.8	218.2	32,100 *	41.6	227.8	36,000 *	46.7	233.8	38,800				170
180				11.1	158.6	23,200 *	19.8	181.2	25,800 *	29.0	202.2	28,800 *	35.9	215.1	32,200 *	41.5	223.4	35,800	46.4	228.2	33,300 *	180
190										20.2	179.9	25,900 *	29.1	199.1	28,800 *	35.7	210.6	32,100 *	41.2	217.6	30,600 *	190
200													20.4	176.9	26,000 *	29.0	194.6	28,800 *	35.4	204.8	28,200 *	200
210																20.2	172.2	25,900 *	28.5	188.4	26,000 *	210
220																			19.5	165.5	24,000 *	220





# Liftcrane Luffing Jib Capacities

# M-250 SERIES 3

Luffing Jib No. 133 or No. 133A On  
 Boom No. 44 With Heavy Lift Top  
 248,700 Lb. Crane Counterweight  
 120,000 Lb. Carbody Counterweight  
 360 Degree Rating

Designed And Tested  
 With The Intent To Be In  
 The Scope of ANSI B30.5

## 120 Ft. Boom, 170 Ft. Jib

Jib Oper. Rad. Feet	88 Degree Boom Angle			83 Degree Boom Angle			80 Degree Boom Angle			75 Degree Boom Angle			70 Degree Boom Angle			65 Degree Boom Angle			60 Degree Boom Angle			Jib Oper. Rad. Feet
	Jib Ang. Deg.	Jib Point Elev. Feet	Luffing Jib Capacity Pounds	Jib Ang. Deg.	Jib Point Elev. Feet	Luffing Jib Capacity Pounds	Jib Ang. Deg.	Jib Point Elev. Feet	Luffing Jib Capacity Pounds	Jib Ang. Deg.	Jib Point Elev. Feet	Luffing Jib Capacity Pounds	Jib Ang. Deg.	Jib Point Elev. Feet	Luffing Jib Capacity Pounds	Jib Ang. Deg.	Jib Point Elev. Feet	Luffing Jib Capacity Pounds	Jib Ang. Deg.	Jib Point Elev. Feet	Luffing Jib Capacity Pounds	
55	75.8	294.6	83,900 *																			55
60	74.1	293.3	81,500 *																			60
65	72.3	291.7	79,200 *																			65
70	70.5	290.0	76,900 *																			70
75	68.7	288.1	74,600 *																			75
80	66.9	286.0	72,300 *	70.7	289.2	77,600 *																80
85	65.0	283.7	68,900 *	68.9	287.4	75,500 *																85
90	63.2	281.2	63,400 *	67.1	285.3	73,300 *																90
95	61.2	278.6	58,600 *	65.3	283.1	69,700 *	67.6	284.9	78,100 *													95
100	59.3	275.6	54,400 *	63.4	280.6	64,100 *	65.8	282.7	71,400 *													100
105	57.3	272.5	50,600 *	61.5	277.9	59,200 *	63.9	280.3	65,600 *													105
110	55.3	269.1	47,200 *	59.5	275.1	54,900 *	62.0	277.7	60,500 *													110
115	53.2	265.5	44,200 *	57.6	272.0	51,100 *	60.1	274.8	56,100 *													115
120	51.0	261.5	41,500 *	55.5	268.6	47,700 *	58.1	271.8	52,100 *	62.1	275.4	60,900 *										120
130	46.5	252.6	36,700 *	51.3	261.1	41,800 *	54.0	264.9	45,400 *	58.2	269.6	52,400 *										130
140	41.6	242.1	32,700 *	46.8	252.3	37,000 *	49.7	257.0	40,000 *	54.2	262.8	45,700 *										140
150	36.2	229.6	29,200 *	42.0	241.9	32,900 *	45.1	247.6	35,400 *	49.9	254.9	40,200 *	54.2	259.6	45,800 *							150
160	30.0	214.0	26,300 *	36.6	229.5	29,400 *	40.1	236.6	31,600 *	45.3	245.6	35,600 *	49.9	251.7	40,300 *							160
170	22.2	193.1	23,700 *	30.4	214.1	26,500 *	34.4	223.2	28,300 *	40.3	234.6	31,800 *	45.3	242.4	35,700 *	49.8	247.3	38,500				170
180	9.5	156.8	19,100 *	22.7	193.7	23,800 *	27.8	206.4	25,500 *	34.7	221.4	28,500 *	40.3	231.5	31,800 *	45.2	238.0	35,500				180
190				10.7	159.5	20,700 *	19.2	182.9	23,000 *	28.1	204.7	25,600 *	34.7	218.2	28,500 *	40.2	227.0	31,800 *	45.0	232.4	30,200 *	190
200										19.6	181.6	23,100 *	28.2	201.6	25,700 *	34.6	213.8	28,500 *	39.9	221.3	27,800 *	200
210													19.8	178.7	23,200 *	28.1	197.1	25,600 *	34.3	207.9	25,700 *	210
220																19.6	173.9	23,100 *	27.6	190.9	23,700 *	220
230																			18.9	167.2	21,800 *	230



# Liftcrane Luffing Jib Capacities

Luffing Jib No. 133 or No. 133A On  
 Boom No. 44 With Heavy Lift Top  
 248,700 Lb. Crane Counterweight  
 120,000 Lb. Carbody Counterweight  
 360 Degree Rating

Designed And Tested  
 With The Intent To Be In  
 The Scope of ANSI B30.5

## M-250 SERIES 3

### 120 Ft. Boom, 180 Ft. Jib

Jib Oper. Rad. Feet	88 Degree Boom Angle			83 Degree Boom Angle			80 Degree Boom Angle			75 Degree Boom Angle			70 Degree Boom Angle			65 Degree Boom Angle			60 Degree Boom Angle			Jib Oper. Rad. Feet
	Jib Ang. Deg.	Jib Point Elev. Feet	Luffing Jib Capacity Pounds	Jib Ang. Deg.	Jib Point Elev. Feet	Luffing Jib Capacity Pounds	Jib Ang. Deg.	Jib Point Elev. Feet	Luffing Jib Capacity Pounds	Jib Ang. Deg.	Jib Point Elev. Feet	Luffing Jib Capacity Pounds	Jib Ang. Deg.	Jib Point Elev. Feet	Luffing Jib Capacity Pounds	Jib Ang. Deg.	Jib Point Elev. Feet	Luffing Jib Capacity Pounds	Jib Ang. Deg.	Jib Point Elev. Feet	Luffing Jib Capacity Pounds	
60	75.0	303.6	76,400 *																			60
65	73.3	302.2	74,300 *																			65
70	71.6	300.6	72,200 *																			70
75	70.0	298.8	70,100 *																			75
80	68.2	296.8	67,600 *																			80
85	66.5	294.7	64,900 *	70.2	298.1	70,700 *																85
90	64.8	292.4	62,200 *	68.5	296.1	68,300 *																90
95	63.0	289.9	58,100 *	66.7	294.0	65,700 *																95
100	61.2	287.2	53,900 *	65.0	291.8	63,200 *	67.2	293.6	69,700 *													100
105	59.3	284.3	50,100 *	63.2	289.3	58,700 *	65.5	291.4	65,100 *													105
110	57.5	281.2	46,700 *	61.4	286.6	54,400 *	63.7	288.9	60,000 *													110
115	55.5	277.8	43,700 *	59.6	283.7	50,600 *	61.9	286.3	55,500 *													115
120	53.6	274.2	40,900 *	57.7	280.6	47,100 *	60.1	283.5	51,600 *													120
130	49.5	266.2	36,100 *	53.8	273.7	41,300 *	56.3	277.2	44,900 *	60.2	281.3	51,900 *										130
140	45.1	256.8	32,100 *	49.8	265.7	36,400 *	52.4	269.9	39,400 *	56.4	275.0	45,100 *										140
150	40.4	245.8	28,700 *	45.4	256.5	32,400 *	48.2	261.5	34,900 *	52.5	267.8	39,700 *	56.5	271.8	45,300 *							150
160	35.2	232.7	25,700 *	40.7	245.6	28,900 *	43.7	251.7	31,100 *	48.4	259.4	35,100 *	52.6	264.6	39,700 *							160
170	29.1	216.6	23,100 *	35.5	232.7	25,900 *	38.9	240.1	27,800 *	43.9	249.6	31,200 *	48.4	256.2	35,200 *	52.5	260.2	37,900				170
180	21.5	195.0	20,900 *	29.5	216.7	23,300 *	33.4	226.2	25,000 *	39.1	238.2	27,900 *	44.0	246.5	31,300 *	48.3	251.8	35,000				180
190	9.2	157.6	16,700 *	22.1	195.7	21,000 *	27.0	208.8	22,500 *	33.6	224.4	25,100 *	39.1	235.0	28,000 *	43.9	242.1	31,300 *				190
200				10.4	160.4	18,200 *	18.7	184.5	20,300 *	27.3	207.1	22,600 *	33.7	221.3	25,100 *	39.0	230.6	28,000 *	43.6	236.4	27,200 *	200
210										19.0	183.3	20,400 *	27.4	204.0	22,600 *	33.6	216.8	25,100 *	38.7	224.8	25,000 *	210
220													19.2	180.3	20,400 *	27.2	199.5	22,600 *	33.3	210.9	23,100 *	220
230																19.0	175.6	20,400 *	26.8	193.3	21,300 *	230
240																			18.4	168.8	19,600 *	240



# Liftcrane Luffing Jib Capacities

## M-250 SERIES 3

Luffing Jib No. 133 or No. 133A On  
 Boom No. 44 With Heavy Lift Top  
 248,700 Lb. Crane Counterweight  
 120,000 Lb. Carbody Counterweight  
 360 Degree Rating

Designed And Tested  
 With The Intent To Be In  
 The Scope of ANSI B30.5

### 120 Ft. Boom, 190 Ft. Jib

Jib Oper. Rad. Feet	88 Degree Boom Angle			83 Degree Boom Angle			80 Degree Boom Angle			75 Degree Boom Angle			70 Degree Boom Angle			65 Degree Boom Angle			60 Degree Boom Angle			Jib Oper. Rad. Feet
	Jib Ang. Deg.	Jib Point Elev. Feet	Luffing Jib Capacity Pounds	Jib Ang. Deg.	Jib Point Elev. Feet	Luffing Jib Capacity Pounds	Jib Ang. Deg.	Jib Point Elev. Feet	Luffing Jib Capacity Pounds	Jib Ang. Deg.	Jib Point Elev. Feet	Luffing Jib Capacity Pounds	Jib Ang. Deg.	Jib Point Elev. Feet	Luffing Jib Capacity Pounds	Jib Ang. Deg.	Jib Point Elev. Feet	Luffing Jib Capacity Pounds	Jib Ang. Deg.	Jib Point Elev. Feet	Luffing Jib Capacity Pounds	
60	75.8	314.0	70,400 *																			60
65	74.2	312.6	69,700 *																			65
70	72.6	311.1	67,800 *																			70
75	71.1	309.4	65,500 *																			75
80	69.5	307.6	63,200 *																			80
85	67.8	305.6	60,700 *																			85
90	66.2	303.4	58,300 *	69.7	306.9	63,700 *																90
95	64.5	301.1	55,800 *	68.0	304.9	61,400 *																95
100	62.8	298.6	53,400 *	66.4	302.8	59,000 *																100
105	61.1	295.9	49,600 *	64.7	300.4	56,600 *	66.8	302.3	62,400 *													105
110	59.4	293.0	46,200 *	63.0	298.0	53,900 *	65.2	300.1	59,500 *													110
115	57.6	289.9	43,200 *	61.3	295.3	50,100 *	63.5	297.6	55,000 *													115
120	55.8	286.5	40,400 *	59.6	292.4	46,600 *	61.8	295.0	51,100 *													120
130	52.0	279.1	35,600 *	56.0	286.0	40,800 *	58.3	289.1	44,400 *	61.9	292.8	51,400 *										130
140	48.1	270.6	31,600 *	52.3	278.7	35,900 *	54.7	282.4	38,900 *	58.4	286.9	44,700 *										140
150	43.9	260.8	28,200 *	48.3	270.3	31,900 *	50.9	274.7	34,400 *	54.8	280.3	39,200 *										150
160	39.3	249.4	25,200 *	44.1	260.5	28,400 *	46.8	265.8	30,600 *	51.0	272.6	34,600 *	54.9	277.0	39,200 *							160
170	34.2	235.8	22,700 *	39.6	249.2	25,400 *	42.5	255.6	27,300 *	47.0	263.8	30,700 *	51.1	269.4	34,700 *							170
180	28.3	219.1	20,400 *	34.5	235.8	22,800 *	37.8	243.5	24,500 *	42.7	253.6	27,400 *	47.0	260.6	30,800 *	51.0	265.0	34,500				180
190	21.0	196.9	18,400 *	28.7	219.3	20,500 *	32.5	229.1	22,000 *	38.0	241.6	24,600 *	42.7	250.4	27,500 *	47.0	256.2	30,700 *				190
200	8.9	158.3	14,500 *	21.5	197.5	18,500 *	26.3	211.1	19,800 *	32.7	227.3	22,100 *	38.0	238.5	24,600 *	42.6	246.0	27,500 *	46.7	250.6	26,500 *	200
210				10.1	161.3	16,000 *	18.1	186.1	17,800 *	26.5	209.5	19,900 *	32.8	224.2	22,100 *	37.9	234.1	24,600 *	42.4	240.3	24,400 *	210
220										18.5	184.9	17,900 *				32.7	219.7	22,100 *	37.7	228.2	22,500 *	220
230													18.7	182.0	18,000 *	26.5	201.8	19,900 *	32.3	213.8	20,700 *	230
240																26.1	195.6	19,000 *	26.1	195.6	19,000 *	240
250																17.9	170.3	17,500 *	17.9	170.3	17,500 *	250



# Liftcrane Luffing Jib Capacities

Luffing Jib No. 133 or No. 133A On  
 Boom No. 44 With Heavy Lift Top  
 248,700 Lb. Crane Counterweight  
 120,000 Lb. Carbody Counterweight  
 360 Degree Rating

Designed And Tested  
 With The Intent To Be In  
 The Scope of ANSI B30.5

## M-250 SERIES 3

### 120 Ft. Boom, 200 Ft. Jib

Jib Oper. Rad. Feet	88 Degree Boom Angle			83 Degree Boom Angle			80 Degree Boom Angle			75 Degree Boom Angle			70 Degree Boom Angle			65 Degree Boom Angle			60 Degree Boom Angle			Jib Oper. Rad. Feet
	Jib Ang. Deg.	Jib Point Elev. Feet	Luffing Jib Capacity Pounds	Jib Ang. Deg.	Jib Point Elev. Feet	Luffing Jib Capacity Pounds	Jib Ang. Deg.	Jib Point Elev. Feet	Luffing Jib Capacity Pounds	Jib Ang. Deg.	Jib Point Elev. Feet	Luffing Jib Capacity Pounds	Jib Ang. Deg.	Jib Point Elev. Feet	Luffing Jib Capacity Pounds	Jib Ang. Deg.	Jib Point Elev. Feet	Luffing Jib Capacity Pounds	Jib Ang. Deg.	Jib Point Elev. Feet	Luffing Jib Capacity Pounds	
65	75.0	323.0	63,000 *																			65
70	73.5	321.6	62,400 *																			70
75	72.0	320.0	60,900 *																			75
80	70.5	318.3	58,600 *																			80
85	69.0	316.4	56,300 *																			85
90	67.4	314.3	53,900 *	70.7	317.5	58,900 *																90
95	65.9	312.1	51,500 *	69.2	315.7	56,700 *																95
100	64.3	309.8	49,100 *	67.6	313.7	54,500 *																100
105	62.7	307.3	46,800 *	66.1	311.5	52,100 *																105
110	61.1	304.5	44,500 *	64.5	309.1	49,800 *	66.5	311.1	55,000 *													110
115	59.4	301.6	42,300 *	62.9	306.6	47,500 *	64.9	308.8	52,400 *													115
120	57.7	298.5	39,900 *	61.3	303.9	45,200 *	63.3	306.3	49,900 *													120
130	54.2	291.7	35,100 *	57.9	298.0	40,200 *	60.1	300.8	43,800 *													130
140	50.6	283.9	31,100 *	54.5	291.2	35,400 *	56.7	294.6	38,400 *	60.2	298.6	44,100 *										140
150	46.8	275.0	27,600 *	50.8	283.5	31,300 *	53.2	287.4	33,800 *	56.8	292.4	38,600 *										150
160	42.7	264.8	24,700 *	47.0	274.6	27,900 *	49.5	279.3	30,000 *	53.3	285.3	34,000 *	56.9	289.2	38,700 *							160
170	38.2	252.9	22,100 *	42.9	264.5	24,900 *	45.6	270.1	26,700 *	49.6	277.2	30,200 *	53.3	282.1	34,100 *							170
180	33.3	238.8	19,800 *	38.5	252.7	22,300 *	41.4	259.4	23,900 *	45.7	268.0	26,900 *	49.7	274.0	30,200 *							180
190	27.6	221.5	17,800 *	33.6	238.8	20,000 *	36.8	246.9	21,400 *	41.5	257.4	24,000 *	45.8	264.8	26,900 *	49.6	269.7	30,200 *				190
200	20.4	198.7	16,000 *	27.9	221.8	18,000 *	31.6	232.0	19,200 *	37.0	245.0	21,500 *	41.6	254.2	24,100 *	45.7	260.5	26,900 *				200
210	8.7	159.1	12,500 *	20.9	199.4	16,100 *	25.6	213.3	17,300 *	31.8	230.2	19,300 *	37.0	241.9	21,600 *	41.5	249.8	24,000 *	45.5	254.8	23,600 *	210
220				9.8	162.1	13,900 *	17.7	187.6	15,500 *	25.8	211.7	17,400 *	31.9	227.1	19,400 *	36.9	237.4	21,600 *	41.2	244.1	21,700 *	220
230										18.0	186.4	15,600 *	25.9	208.7	17,400 *	31.8	222.6	19,400 *	36.7	231.6	19,900 *	230
240													18.2	183.5	15,700 *	25.8	204.1	17,400 *	31.5	216.6	18,300 *	240
250																18.0	178.8	15,700 *	25.4	197.8	16,800 *	250
260																			17.4	171.8	15,400 *	260



# Liftcrane Luffing Jib Capacities

# M-250 SERIES 3

Luffing Jib No. 133 or No. 133A On  
 Boom No. 44 With Heavy Lift Top  
 248,700 Lb. Crane Counterweight  
 120,000 Lb. Carbody Counterweight  
 360 Degree Rating

Designed And Tested  
 With The Intent To Be In  
 The Scope of ANSI B30.5

## 130 Ft. Boom, 70 Ft. Jib

Jib Oper. Rad. Feet	88 Degree Boom Angle			83 Degree Boom Angle			80 Degree Boom Angle			75 Degree Boom Angle			70 Degree Boom Angle			65 Degree Boom Angle			60 Degree Boom Angle			Jib Oper. Rad. Feet
	Jib Ang. Deg.	Jib Point Elev. Feet	Luffing Jib Capacity Pounds	Jib Ang. Deg.	Jib Point Elev. Feet	Luffing Jib Capacity Pounds	Jib Ang. Deg.	Jib Point Elev. Feet	Luffing Jib Capacity Pounds	Jib Ang. Deg.	Jib Point Elev. Feet	Luffing Jib Capacity Pounds	Jib Ang. Deg.	Jib Point Elev. Feet	Luffing Jib Capacity Pounds	Jib Ang. Deg.	Jib Point Elev. Feet	Luffing Jib Capacity Pounds	Jib Ang. Deg.	Jib Point Elev. Feet	Luffing Jib Capacity Pounds	
40	67.9	204.5	165,500 *b																			40
45	63.4	202.1	153,500 *b																			45
50	58.6	199.2	140,900 *b																			50
55	53.6	195.7	122,700 *b	64.7	201.9	155,100 *b																55
60	48.3	191.5	108,500 *	60.1	199.1	143,700 *b	66.4	201.6	161,200 *b													60
65	42.4	186.4	97,000 *	55.2	195.8	127,700 *b	61.8	199.1	151,700 *b													65
70	35.8	180.0	87,600 *	49.9	191.8	112,400 *	57.0	196.0	134,800 *b													70
75	27.7	171.6	79,700 *	44.2	187.0	100,300 *	51.9	192.3	118,000 *	63.0	197.2	126,800 b										75
80	16.3	158.5	73,000 *	37.9	181.0	90,300 *	46.4	187.8	104,800 *	58.2	194.2	117,100 b										80
85				30.4	173.4	82,000 *	40.3	182.3	94,100 *	53.2	190.7	108,600										85
90				20.4	162.3	74,900 *	33.3	175.4	85,200 *	47.8	186.4	101,200										90
95							24.5	165.9	77,700 *	41.9	181.2	94,700	54.2	187.8	91,000							95
100							9.7	148.5	71,200 *	35.1	174.6	87,300 *	48.9	183.7	85,400							100
105										27.0	166.0	79,500 *	43.1	178.7	80,400							105
110										14.9	152.1	72,800 *	36.5	172.5	75,900	49.5	179.7	72,900				110
115													28.7	164.3	71,800	43.8	174.8	69,000				115
120													17.9	152.1	68,100	37.4	168.8	65,400				120
130																19.5	149.5	59,100	37.6	163.6	56,800	130
140																20.0	144.6	51,600	20.0	144.6	51,600	140



# Liftcrane Luffing Jib Capacities

Luffing Jib No. 133 or No. 133A On  
 Boom No. 44 With Heavy Lift Top  
 248,700 Lb. Crane Counterweight  
 120,000 Lb. Carbody Counterweight  
 360 Degree Rating

Designed And Tested  
 With The Intent To Be In  
 The Scope of ANSI B30.5

## M-250 SERIES 3

### 130 Ft. Boom, 80 Ft. Jib

Jib Oper. Rad. Feet	88 Degree Boom Angle			83 Degree Boom Angle			80 Degree Boom Angle			75 Degree Boom Angle			70 Degree Boom Angle			65 Degree Boom Angle			60 Degree Boom Angle			Jib Oper. Rad. Feet
	Jib Ang. Deg.	Jib Point Elev. Feet	Luffing Jib Capacity Pounds	Jib Ang. Deg.	Jib Point Elev. Feet	Luffing Jib Capacity Pounds	Jib Ang. Deg.	Jib Point Elev. Feet	Luffing Jib Capacity Pounds	Jib Ang. Deg.	Jib Point Elev. Feet	Luffing Jib Capacity Pounds	Jib Ang. Deg.	Jib Point Elev. Feet	Luffing Jib Capacity Pounds	Jib Ang. Deg.	Jib Point Elev. Feet	Luffing Jib Capacity Pounds	Jib Ang. Deg.	Jib Point Elev. Feet	Luffing Jib Capacity Pounds	
40	70.8	215.2	159,600 *b																			40
45	66.9	213.2	149,800 *b																			45
50	62.9	210.8	138,600 *b																			50
55	58.8	207.9	123,400 *	68.1	212.8	150,000 *b																55
60	54.5	204.5	109,100 *	64.1	210.5	140,700 *b																60
65	49.9	200.5	97,500 *	60.0	207.8	128,500 *b	65.6	210.3	147,700 *b													65
70	44.9	195.7	88,000 *	55.8	204.5	113,100 *	61.6	207.8	135,600 *b													70
75	39.5	190.0	80,100 *	51.3	200.7	100,800 *	57.4	204.7	118,700 *													75
80	33.3	183.0	73,300 *	46.4	196.2	90,700 *	53.0	201.1	105,300 *	62.6	205.8	116,500 b										80
85	25.9	173.9	67,500 *	41.2	190.8	82,300 *	48.3	196.8	94,500 *	58.4	202.9	108,100										85
90	15.2	159.8	62,400 *	35.3	184.2	75,300 *	43.2	191.8	85,500 *	54.1	199.4	100,700										90
95				28.3	175.9	69,200 *	37.5	185.7	78,000 *	49.5	195.4	94,200										95
100				19.0	163.9	63,900 *	31.0	178.1	71,500 *	44.5	190.5	87,600 *	54.9	196.6	84,800							100
105							22.9	167.9	66,000 *	39.0	184.7	79,800 *	50.4	192.6	79,800							105
110							9.0	149.2	61,000 *	32.7	177.6	73,100 *	45.5	188.0	75,400							110
115										25.1	168.2	67,300 *	40.1	182.4	71,300	51.0	188.6	68,300				115
120										13.8	153.3	62,200 *	34.0	175.5	67,700	46.1	184.1	64,800				120
130													16.7	153.5	61,100	34.8	171.9	58,600	46.3	178.8	56,100	130
140																18.2	151.1	53,300	35.1	166.8	51,100	140
150																			18.6	146.2	46,700	150



# Liftcrane Luffing Jib Capacities

# M-250 SERIES 3

Luffing Jib No. 133 or No. 133A On  
 Boom No. 44 With Heavy Lift Top  
 248,700 Lb. Crane Counterweight  
 120,000 Lb. Carbody Counterweight  
 360 Degree Rating

Designed And Tested  
 With The Intent To Be In  
 The Scope of ANSI B30.5

## 130 Ft. Boom, 90 Ft. Jib

Jib Oper. Rad. Feet	88 Degree Boom Angle			83 Degree Boom Angle			80 Degree Boom Angle			75 Degree Boom Angle			70 Degree Boom Angle			65 Degree Boom Angle			60 Degree Boom Angle			Jib Oper. Rad. Feet
	Jib Ang. Deg.	Jib Point Elev. Feet	Luffing Jib Capacity Pounds	Jib Ang. Deg.	Jib Point Elev. Feet	Luffing Jib Capacity Pounds	Jib Ang. Deg.	Jib Point Elev. Feet	Luffing Jib Capacity Pounds	Jib Ang. Deg.	Jib Point Elev. Feet	Luffing Jib Capacity Pounds	Jib Ang. Deg.	Jib Point Elev. Feet	Luffing Jib Capacity Pounds	Jib Ang. Deg.	Jib Point Elev. Feet	Luffing Jib Capacity Pounds	Jib Ang. Deg.	Jib Point Elev. Feet	Luffing Jib Capacity Pounds	
40	73.0	225.8	153,700 *b																			40
45	69.6	224.0	144,900 *b																			45
50	66.2	221.9	135,400 *b																			50
55	62.6	219.4	124,000 *	70.6	223.6	145,000 *b																55
60	58.9	216.6	109,500 *	67.2	221.6	137,500 *b																60
65	55.1	213.2	97,900 *	63.7	219.2	128,200 *																65
70	51.1	209.3	88,300 *	60.0	216.4	113,600 *	65.0	219.0	136,200 *b													70
75	46.8	204.8	80,300 *	56.3	213.2	101,200 *	61.4	216.4	119,100 *													75
80	42.2	199.6	73,500 *	52.3	209.5	91,000 *	57.7	213.4	105,700 *													80
85	37.1	193.4	67,600 *	48.1	205.2	82,600 *	53.8	209.9	94,800 *	62.3	214.5	107,600										85
90	31.3	185.8	62,500 *	43.6	200.2	75,400 *	49.7	205.8	85,700 *	58.6	211.6	100,200										90
95	24.3	176.0	58,000 *	38.7	194.4	69,300 *	45.3	201.1	78,100 *	54.8	208.2	93,800										95
100	14.2	161.0	54,000 *	33.1	187.2	64,000 *	40.6	195.5	71,700 *	50.7	204.2	87,900 *										100
105				26.6	178.2	59,400 *	35.3	188.9	66,100 *	46.4	199.7	80,000 *	55.5	205.3	79,400							105
110				17.9	165.5	55,200 *	29.2	180.7	61,200 *	41.8	194.4	73,200 *	51.5	201.5	74,900							110
115							21.5	169.8	56,900 *	36.6	188.1	67,400 *	47.3	197.1	70,900							115
120							8.4	149.9	53,000 *	30.8	180.4	62,400 *	42.7	191.9	67,300	52.0	197.4	64,400				120
130										13.0	154.4	54,000 *	32.0	178.4	60,800	43.3	188.1	58,200				130
140													15.6	154.8	54,700 *	32.7	174.9	53,000	43.5	182.8	50,700	140
150																17.1	152.5	48,400	33.0	169.7	46,400	150
160																			17.5	147.7	42,600	160



# Liftcrane Luffing Jib Capacities

Luffing Jib No. 133 or No. 133A On  
 Boom No. 44 With Heavy Lift Top  
 248,700 Lb. Crane Counterweight  
 120,000 Lb. Carbody Counterweight  
 360 Degree Rating

Designed And Tested  
 With The Intent To Be In  
 The Scope of ANSI B30.5

## M-250 SERIES 3

### 130 Ft. Boom, 100 Ft. Jib

Jib Oper. Rad. Feet	88 Degree Boom Angle			83 Degree Boom Angle			80 Degree Boom Angle			75 Degree Boom Angle			70 Degree Boom Angle			65 Degree Boom Angle			60 Degree Boom Angle			Jib Oper. Rad. Feet
	Jib Ang. Deg.	Jib Point Elev. Feet	Luffing Jib Capacity Pounds	Jib Ang. Deg.	Jib Point Elev. Feet	Luffing Jib Capacity Pounds	Jib Ang. Deg.	Jib Point Elev. Feet	Luffing Jib Capacity Pounds	Jib Ang. Deg.	Jib Point Elev. Feet	Luffing Jib Capacity Pounds	Jib Ang. Deg.	Jib Point Elev. Feet	Luffing Jib Capacity Pounds	Jib Ang. Deg.	Jib Point Elev. Feet	Luffing Jib Capacity Pounds	Jib Ang. Deg.	Jib Point Elev. Feet	Luffing Jib Capacity Pounds	
40	74.7	236.3	147,700 *b																			40
45	71.7	234.7	139,700 *b																			45
50	68.7	232.8	132,000 *b																			50
55	65.6	230.6	123,100 *																			55
60	62.3	228.1	109,600 *	69.6	232.4	132,800 *b																60
65	59.0	225.2	97,900 *	66.5	230.3	125,400 *																65
70	55.6	221.9	88,300 *	63.3	227.9	113,700 *	67.6	230.0	132,400 *													70
75	52.0	218.2	80,200 *	60.0	225.1	101,200 *	64.5	227.7	120,100 *													75
80	48.2	213.9	73,400 *	56.6	221.9	91,000 *	61.3	225.1	106,400 *													80
85	44.2	209.0	67,500 *	53.1	218.3	82,500 *	57.9	222.0	95,300 *													85
90	39.9	203.3	62,400 *	49.4	214.2	75,300 *	54.4	218.6	86,100 *	62.1	223.1	99,700										90
95	35.1	196.6	57,900 *	45.5	209.5	69,200 *	50.8	214.7	78,400 *	58.7	220.2	93,200										95
100	29.6	188.5	53,900 *	41.2	204.0	63,900 *	46.9	210.2	71,800 *	55.3	216.9	87,500										100
105	23.0	178.0	50,400 *	36.6	197.7	59,200 *	42.8	205.0	66,200 *	51.7	213.1	80,200 *										105
110	13.5	162.2	47,100 *	31.4	190.1	55,100 *	38.4	199.1	61,200 *	47.9	208.8	73,400 *	56.0	214.0	74,300							110
115				25.2	180.5	51,400 *	33.4	191.9	56,900 *	43.9	203.8	67,500 *	52.4	210.3	70,300							115
120				16.9	166.9	48,100 *	27.6	183.2	53,000 *	39.5	198.0	62,400 *	48.7	206.1	66,700							120
130							7.9	150.5	46,400 *	29.1	182.9	54,000 *	40.4	195.6	60,300	49.1	202.1	57,600				130
140										12.3	155.4	47,200 *	30.3	181.1	54,800 *	40.9	191.8	52,400				140
150													14.8	156.1	47,900 *	31.0	177.7	48,000	41.1	186.6	45,700	150
160																16.2	153.9	44,000	31.2	172.5	42,000	160
170																			16.6	149.1	38,700	170





# Liftcrane Luffing Jib Capacities

## M-250 SERIES 3

Luffing Jib No. 133 or No. 133A On  
 Boom No. 44 With Heavy Lift Top  
 248,700 Lb. Crane Counterweight  
 120,000 Lb. Carbody Counterweight  
 360 Degree Rating

Designed And Tested  
 With The Intent To Be In  
 The Scope of ANSI B30.5

### 130 Ft. Boom, 110 Ft. Jib

Jib Oper. Rad. Feet	88 Degree Boom Angle			83 Degree Boom Angle			80 Degree Boom Angle			75 Degree Boom Angle			70 Degree Boom Angle			65 Degree Boom Angle			60 Degree Boom Angle			Jib Oper. Rad. Feet
	Jib Ang. Deg.	Jib Point Elev. Feet	Luffing Jib Capacity Pounds	Jib Ang. Deg.	Jib Point Elev. Feet	Luffing Jib Capacity Pounds	Jib Ang. Deg.	Jib Point Elev. Feet	Luffing Jib Capacity Pounds	Jib Ang. Deg.	Jib Point Elev. Feet	Luffing Jib Capacity Pounds	Jib Ang. Deg.	Jib Point Elev. Feet	Luffing Jib Capacity Pounds	Jib Ang. Deg.	Jib Point Elev. Feet	Luffing Jib Capacity Pounds	Jib Ang. Deg.	Jib Point Elev. Feet	Luffing Jib Capacity Pounds	
45	73.5	245.2	133,700 *b																			45
50	70.7	243.5	126,900 *																			50
55	67.9	241.6	119,800 *																			55
60	65.1	239.3	112,300 *																			60
65	62.1	236.8	100,700 *	68.8	241.2	121,600 *																65
70	59.1	233.9	90,700 *	65.9	239.0	114,600 *																70
75	56.0	230.6	82,400 *	63.0	236.5	104,100 *	67.0	238.7	121,500 *													75
80	52.8	227.0	75,300 *	60.0	233.8	93,500 *	64.1	236.4	108,700 *													80
85	49.4	222.8	69,300 *	57.0	230.6	84,800 *	61.1	233.7	97,400 *													85
90	45.8	218.1	64,000 *	53.8	227.1	77,400 *	58.1	230.7	88,000 *													90
95	42.0	212.8	59,400 *	50.4	223.1	71,000 *	55.0	227.3	80,100 *	61.9	231.8	92,700										95
100	37.9	206.7	55,300 *	46.9	218.6	65,500 *	51.7	223.5	73,400 *	58.9	228.9	87,000										100
105	33.4	199.6	51,600 *	43.2	213.5	60,700 *	48.2	219.2	67,600 *	55.7	225.6	81,800										105
110	28.2	191.0	48,400 *	39.2	207.6	56,500 *	44.6	214.3	62,500 *	52.5	221.9	75,000 *										110
115	21.9	179.9	45,400 *	34.8	200.8	52,700 *	40.7	208.8	58,100 *	49.1	217.7	69,000 *	56.4	222.7	69,800							115
120	12.8	163.2	41,500 *	29.8	192.7	49,300 *	36.5	202.4	54,200 *	45.5	213.0	63,800 *	53.1	219.1	66,200							120
130				16.1	168.3	43,500 *	26.3	185.5	47,500 *	37.6	201.4	55,100 *	46.2	210.4	59,800							130
140							7.5	151.1	41,400 *	27.7	185.4	48,300 *	38.4	199.1	54,400	46.7	206.4	51,900				140
150										28.8	183.7	48,900 *	38.9	195.4	47,500	38.9	195.4	47,500	46.8	201.2	45,200	150
160										11.7	156.4	42,700 *	28.8	183.7	48,900 *	29.5	180.3	43,600	39.1	190.2	41,500	160
170																15.4	155.2	40,200	29.7	175.2	38,300	170
180																			15.8	150.5	35,400 *	180



# Liftcrane Luffing Jib Capacities

Luffing Jib No. 133 or No. 133A On  
 Boom No. 44 With Heavy Lift Top  
 248,700 Lb. Crane Counterweight  
 120,000 Lb. Carbody Counterweight  
 360 Degree Rating

Designed And Tested  
 With The Intent To Be In  
 The Scope of ANSI B30.5

## M-250 SERIES 3

### 130 Ft. Boom, 120 Ft. Jib

Jib Oper. Rad. Feet	88 Degree Boom Angle			83 Degree Boom Angle			80 Degree Boom Angle			75 Degree Boom Angle			70 Degree Boom Angle			65 Degree Boom Angle			60 Degree Boom Angle			Jib Oper. Rad. Feet
	Jib Ang. Deg.	Jib Point Elev. Feet	Luffing Jib Capacity Pounds	Jib Ang. Deg.	Jib Point Elev. Feet	Luffing Jib Capacity Pounds	Jib Ang. Deg.	Jib Point Elev. Feet	Luffing Jib Capacity Pounds	Jib Ang. Deg.	Jib Point Elev. Feet	Luffing Jib Capacity Pounds	Jib Ang. Deg.	Jib Point Elev. Feet	Luffing Jib Capacity Pounds	Jib Ang. Deg.	Jib Point Elev. Feet	Luffing Jib Capacity Pounds	Jib Ang. Deg.	Jib Point Elev. Feet	Luffing Jib Capacity Pounds	
45	74.9	255.6	124,800 *b																			45
50	72.4	254.1	120,300 *																			50
55	69.8	252.3	116,000 *																			55
60	67.3	250.3	109,700 *																			60
65	64.6	248.0	100,400 *	70.6	251.9	117,300 *																65
70	62.0	245.4	90,400 *	68.0	249.9	111,900 *																70
75	59.2	242.5	82,000 *	65.4	247.7	103,800 *																75
80	56.4	239.3	75,000 *	62.8	245.2	93,200 *	66.4	247.5	108,400 *													80
85	53.4	235.7	68,900 *	60.0	242.4	84,400 *	63.8	245.1	97,000 *													85
90	50.4	231.7	63,600 *	57.2	239.3	77,000 *	61.0	242.4	87,600 *													90
95	47.2	227.2	59,000 *	54.3	235.8	70,600 *	58.3	239.4	79,700 *													95
100	43.8	222.2	54,900 *	51.3	231.9	65,100 *	55.4	236.0	73,000 *	61.7	240.5	86,400										100
105	40.2	216.5	51,200 *	48.1	227.6	60,300 *	52.4	232.3	67,200 *	59.0	237.6	81,300										105
110	36.2	210.0	48,000 *	44.8	222.7	56,100 *	49.3	228.2	62,100 *	56.1	234.3	74,600 *										110
115	31.9	202.5	45,000 *	41.3	217.3	52,300 *	46.0	223.5	57,700 *	53.2	230.7	68,600 *										115
120	27.0	193.4	42,300 *	37.4	211.0	48,900 *	42.6	218.3	53,700 *	50.1	226.6	63,400 *	56.7	231.4	65,600							120
130	12.2	164.3	36,600 *	28.5	195.3	43,100 *	34.8	205.5	47,100 *	43.5	217.0	54,700 *	50.7	223.9	59,300							130
140				15.4	169.6	38,300 *	25.1	187.7	41,600 *	35.9	204.7	47,800 *	44.1	214.5	53,900	51.1	219.8	51,300				140
150							7.2	151.7	36,600 *	26.5	187.8	42,300 *	36.7	202.5	48,500 *	44.6	210.6	46,900				150
160										11.2	157.3	37,600 *	27.5	186.1	42,800 *	37.2	198.8	43,100	44.7	205.3	40,900	160
170													13.4	158.5	38,000 *	28.2	182.8	39,700	37.3	193.6	37,700	170
180																14.7	156.5	36,700	28.4	177.7	34,700 *	180
190																15.0	151.8	31,900 *	15.0	151.8	31,900 *	190



# Liftcrane Luffing Jib Capacities

# M-250 SERIES 3

Luffing Jib No. 133 or No. 133A On  
 Boom No. 44 With Heavy Lift Top  
 248,700 Lb. Crane Counterweight  
 120,000 Lb. Carbody Counterweight  
 360 Degree Rating

Designed And Tested  
 With The Intent To Be In  
 The Scope of ANSI B30.5

## 130 Ft. Boom, 130 Ft. Jib

Jib Oper. Rad. Feet	88 Degree Boom Angle			83 Degree Boom Angle			80 Degree Boom Angle			75 Degree Boom Angle			70 Degree Boom Angle			65 Degree Boom Angle			60 Degree Boom Angle			Jib Oper. Rad. Feet
	Jib Ang. Deg.	Jib Point Elev. Feet	Luffing Jib Capacity Pounds	Jib Ang. Deg.	Jib Point Elev. Feet	Luffing Jib Capacity Pounds	Jib Ang. Deg.	Jib Point Elev. Feet	Luffing Jib Capacity Pounds	Jib Ang. Deg.	Jib Point Elev. Feet	Luffing Jib Capacity Pounds	Jib Ang. Deg.	Jib Point Elev. Feet	Luffing Jib Capacity Pounds	Jib Ang. Deg.	Jib Point Elev. Feet	Luffing Jib Capacity Pounds	Jib Ang. Deg.	Jib Point Elev. Feet	Luffing Jib Capacity Pounds	
50	73.8	264.6	111,400 *																			50
55	71.5	263.0	107,600 *																			55
60	69.1	261.1	103,900 *																			60
65	66.7	259.0	100,400 *																			65
70	64.3	256.7	91,100 *	69.8	260.7	106,200 *																70
75	61.8	254.1	82,600 *	67.4	258.7	102,700 *																75
80	59.3	251.2	75,400 *	65.0	256.4	93,900 *																80
85	56.6	248.0	69,200 *	62.6	253.9	85,000 *	65.9	256.2	97,800 *													85
90	53.9	244.5	63,800 *	60.0	251.1	77,400 *	63.5	253.7	88,200 *													90
95	51.2	240.6	59,200 *	57.4	248.0	71,000 *	61.0	251.0	80,200 *													95
100	48.2	236.2	55,000 *	54.8	244.5	65,400 *	58.4	248.1	73,400 *													100
105	45.2	231.4	51,300 *	52.0	240.7	60,500 *	55.8	244.8	67,500 *	61.6	249.1	81,000										105
110	41.9	226.1	48,000 *	49.1	236.6	56,200 *	53.0	241.1	62,400 *	59.0	246.2	75,000 *										110
115	38.5	220.0	45,100 *	46.1	231.9	52,400 *	50.2	237.1	57,900 *	56.4	243.0	68,900 *										115
120	34.7	213.2	42,400 *	42.9	226.7	49,000 *	47.2	232.6	53,900 *	53.7	239.4	63,600 *										120
130	25.9	195.7	37,700 *	35.9	214.3	43,200 *	40.8	222.0	47,100 *	48.0	231.1	54,800 *	54.2	236.6	59,000							130
140	11.7	165.3	32,600 *	27.4	197.7	38,300 *	33.4	208.5	41,600 *	41.7	220.8	47,900 *	48.6	228.4	53,700							140
150				14.7	170.9	34,300 *	24.1	189.9	37,100 *	34.4	207.8	42,300 *	42.3	218.4	48,500 *	48.9	224.4	46,700				150
160							6.9	152.3	32,700 *	25.4	190.0	37,600 *	35.2	205.6	42,800 *	42.7	214.5	42,900				160
170										10.7	158.2	33,600 *	26.4	188.5	38,100 *	35.6	202.0	39,500	42.8	209.3	37,500 *	170
180													12.9	159.6	34,000 *	27.0	185.2	36,600	35.8	196.8	34,500 *	180
190																14.1	157.7	33,900	27.2	180.1	31,800 *	190
200																			14.4	153.0	29,300 *	200



# Liftcrane Luffing Jib Capacities

Luffing Jib No. 133 or No. 133A On  
 Boom No. 44 With Heavy Lift Top  
 248,700 Lb. Crane Counterweight  
 120,000 Lb. Carbody Counterweight  
 360 Degree Rating

Designed And Tested  
 With The Intent To Be In  
 The Scope of ANSI B30.5

## M-250 SERIES 3

### 130 Ft. Boom, 140 Ft. Jib

Jib Oper. Rad. Feet	88 Degree Boom Angle			83 Degree Boom Angle			80 Degree Boom Angle			75 Degree Boom Angle			70 Degree Boom Angle			65 Degree Boom Angle			60 Degree Boom Angle			Jib Oper. Rad. Feet
	Jib Ang. Deg.	Jib Point Elev. Feet	Luffing Jib Capacity Pounds	Jib Ang. Deg.	Jib Point Elev. Feet	Luffing Jib Capacity Pounds	Jib Ang. Deg.	Jib Point Elev. Feet	Luffing Jib Capacity Pounds	Jib Ang. Deg.	Jib Point Elev. Feet	Luffing Jib Capacity Pounds	Jib Ang. Deg.	Jib Point Elev. Feet	Luffing Jib Capacity Pounds	Jib Ang. Deg.	Jib Point Elev. Feet	Luffing Jib Capacity Pounds	Jib Ang. Deg.	Jib Point Elev. Feet	Luffing Jib Capacity Pounds	
50	75.0	275.0	104,100 *																			50
55	72.8	273.5	100,700 *																			55
60	70.7	271.8	97,400 *																			60
65	68.5	269.9	94,200 *																			65
70	66.3	267.8	90,700 *																			70
75	64.0	265.4	82,100 *	69.1	269.5	96,200 *																75
80	61.7	262.8	74,900 *	66.9	267.4	93,300 *																80
85	59.3	259.9	68,800 *	64.7	265.1	84,600 *	67.7	267.1	97,400 *													85
90	56.9	256.7	63,400 *	62.4	262.5	77,000 *	65.5	264.9	87,800 *													90
95	54.4	253.2	58,700 *	60.0	259.7	70,600 *	63.2	262.4	79,800 *													95
100	51.8	249.4	54,600 *	57.6	256.7	65,000 *	60.9	259.7	72,900 *													100
105	49.1	245.2	50,900 *	55.2	253.3	60,100 *	58.5	256.7	67,000 *													105
110	46.4	240.6	47,600 *	52.6	249.5	55,800 *	56.1	253.4	61,900 *	61.5	257.8	74,600 *										110
115	43.4	235.4	44,600 *	50.0	245.5	52,000 *	53.5	249.9	57,400 *	59.1	254.9	68,500 *										115
120	40.3	229.8	41,900 *	47.2	241.0	48,600 *	50.9	245.9	53,400 *	56.7	251.7	63,100 *										120
130	33.4	216.2	37,200 *	41.3	230.5	42,700 *	45.4	236.8	46,700 *	51.6	244.3	54,400 *	57.2	248.7	58,400							130
140	24.9	197.9	33,200 *	34.5	217.4	37,900 *	39.3	225.6	41,200 *	46.1	235.4	47,400 *	52.1	241.5	53,100							140
150	11.3	166.2	28,900 *	26.3	200.0	33,800 *	32.1	211.4	36,600 *	40.1	224.5	41,800 *	46.7	232.8	48,100 *	52.4	237.5	46,100				150
160				14.2	172.1	30,300 *	23.2	191.9	32,700 *	33.1	210.8	37,100 *	40.7	222.1	42,300 *	47.0	228.8	42,300				160
170							6.6	152.8	29,100 *	24.4	192.2	33,200 *	33.8	208.7	37,600 *	41.1	218.3	39,000	47.1	223.6	36,800 *	170
180										10.3	159.1	29,800 *	25.4	190.7	33,600 *	34.3	205.1	36,000	41.2	213.1	33,800 *	180
190													12.4	160.6	30,100 *	26.0	187.5	33,400	34.4	199.9	31,100 *	190
200																13.6	158.9	30,400 *	26.2	182.5	28,700 *	200
210																			13.9	154.2	26,400 *	210



# Liftcrane Luffing Jib Capacities

# M-250 SERIES 3

Luffing Jib No. 133 or No. 133A On  
 Boom No. 44 With Heavy Lift Top  
 248,700 Lb. Crane Counterweight  
 120,000 Lb. Carbody Counterweight  
 360 Degree Rating

Designed And Tested  
 With The Intent To Be In  
 The Scope of ANSI B30.5

## 130 Ft. Boom, 150 Ft. Jib

Jib Oper. Rad. Feet	88 Degree Boom Angle			83 Degree Boom Angle			80 Degree Boom Angle			75 Degree Boom Angle			70 Degree Boom Angle			65 Degree Boom Angle			60 Degree Boom Angle			Jib Oper. Rad. Feet
	Jib Ang. Deg.	Jib Point Elev. Feet	Luffing Jib Capacity Pounds	Jib Ang. Deg.	Jib Point Elev. Feet	Luffing Jib Capacity Pounds	Jib Ang. Deg.	Jib Point Elev. Feet	Luffing Jib Capacity Pounds	Jib Ang. Deg.	Jib Point Elev. Feet	Luffing Jib Capacity Pounds	Jib Ang. Deg.	Jib Point Elev. Feet	Luffing Jib Capacity Pounds	Jib Ang. Deg.	Jib Point Elev. Feet	Luffing Jib Capacity Pounds	Jib Ang. Deg.	Jib Point Elev. Feet	Luffing Jib Capacity Pounds	
50	76.0	285.4	98,700 *																			50
55	74.0	284.0	95,900 *																			55
60	72.0	282.4	93,100 *																			60
65	70.0	280.6	90,300 *																			65
70	67.9	278.7	87,700 *																			70
75	65.8	276.5	83,000 *	70.6	280.2	91,800 *																75
80	63.7	274.1	75,700 *	68.5	278.2	89,400 *																80
85	61.6	271.4	69,400 *	66.5	276.1	85,500 *																85
90	59.4	268.5	64,000 *	64.4	273.8	77,800 *	67.2	275.8	88,700 *													90
95	57.1	265.4	59,200 *	62.2	271.2	71,200 *	65.1	273.6	80,600 *													95
100	54.8	261.9	55,000 *	60.0	268.4	65,600 *	63.0	271.1	73,600 *													100
105	52.4	258.2	51,300 *	57.8	265.3	60,600 *	60.8	268.4	67,600 *													105
110	49.9	254.1	47,900 *	55.5	262.0	56,300 *	58.6	265.4	62,400 *													110
115	47.4	249.6	44,900 *	53.1	258.3	52,400 *	56.3	262.1	57,900 *	61.4	266.5	69,100 *										115
120	44.7	244.7	42,200 *	50.7	254.3	48,900 *	54.0	258.6	53,800 *	59.2	263.5	63,700 *										120
130	38.9	233.3	37,400 *	45.5	245.2	43,000 *	49.1	250.5	47,000 *	54.6	256.9	54,800 *										130
140	32.2	219.1	33,400 *	39.8	234.1	38,100 *	43.8	240.8	41,400 *	49.7	249.0	47,800 *	55.0	254.0	52,600							140
150	24.0	200.0	30,000 *	33.3	220.4	34,000 *	37.9	229.1	36,800 *	44.5	239.5	42,100 *	50.2	246.2	48,100							150
160	10.9	167.1	24,800 *	25.4	202.3	30,500 *	31.0	214.2	32,900 *	38.6	228.0	37,400 *	45.0	236.9	42,600 *	50.5	242.2	41,800				160
170				13.7	173.3	27,300 *	22.4	193.9	29,600 *	31.9	213.6	33,400 *	39.2	225.7	37,800 *	45.3	233.0	38,500				170
180							6.4	153.3	25,100 *	23.6	194.2	30,000 *	32.6	211.6	33,700 *	39.6	221.9	35,600	45.4	227.8	33,100 *	180
190										9.9	160.0	27,000 *	24.5	192.9	30,300 *	33.1	208.1	33,000	39.7	216.7	30,400 *	190
200													12.0	161.6	27,300 *	25.1	189.7	30,500 *	33.2	202.9	28,100 *	200
210																13.1	160.0	27,500 *	25.2	184.7	25,900 *	210
220																			13.4	155.4	23,900 *	220



# Liftcrane Luffing Jib Capacities

Luffing Jib No. 133 or No. 133A On  
 Boom No. 44 With Heavy Lift Top  
 248,700 Lb. Crane Counterweight  
 120,000 Lb. Carbody Counterweight  
 360 Degree Rating

Designed And Tested  
 With The Intent To Be In  
 The Scope of ANSI B30.5

## M-250 SERIES 3

### 130 Ft. Boom, 160 Ft. Jib

Jib Oper. Rad. Feet	88 Degree Boom Angle			83 Degree Boom Angle			80 Degree Boom Angle			75 Degree Boom Angle			70 Degree Boom Angle			65 Degree Boom Angle			60 Degree Boom Angle			Jib Oper. Rad. Feet
	Jib Ang. Deg.	Jib Point Elev. Feet	Luffing Jib Capacity Pounds	Jib Ang. Deg.	Jib Point Elev. Feet	Luffing Jib Capacity Pounds	Jib Ang. Deg.	Jib Point Elev. Feet	Luffing Jib Capacity Pounds	Jib Ang. Deg.	Jib Point Elev. Feet	Luffing Jib Capacity Pounds	Jib Ang. Deg.	Jib Point Elev. Feet	Luffing Jib Capacity Pounds	Jib Ang. Deg.	Jib Point Elev. Feet	Luffing Jib Capacity Pounds	Jib Ang. Deg.	Jib Point Elev. Feet	Luffing Jib Capacity Pounds	
55	75.0	294.4	88,500 *																			55
60	73.2	292.9	86,000 *																			60
65	71.3	291.3	83,500 *																			65
70	69.4	289.4	81,000 *																			70
75	67.4	287.4	78,700 *																			75
80	65.5	285.2	76,000 *	70.0	289.0	82,400 *																80
85	63.5	282.7	69,600 *	68.0	287.0	80,200 *																85
90	61.5	280.1	64,100 *	66.1	284.8	78,100 *																90
95	59.4	277.2	59,200 *	64.1	282.5	71,500 *	66.8	284.6	81,000 *													95
100	57.3	274.1	55,000 *	62.1	279.9	65,700 *	64.8	282.3	73,900 *													100
105	55.1	270.6	51,200 *	60.0	277.1	60,700 *	62.8	279.8	67,800 *													105
110	52.9	267.0	47,800 *	57.9	274.0	56,200 *	60.8	277.0	62,500 *													110
115	50.6	262.9	44,700 *	55.8	270.7	52,300 *	58.7	274.1	57,900 *													115
120	48.2	258.6	41,900 *	53.6	267.1	48,800 *	56.6	270.8	53,700 *	61.3	275.1	63,800 *										120
130	43.2	248.7	37,100 *	48.9	258.9	42,800 *	52.1	263.5	46,800 *	57.1	269.0	54,700 *										130
140	37.6	236.7	33,100 *	44.0	249.3	37,800 *	47.4	254.9	41,200 *	52.7	261.9	47,600 *	57.5	266.1	52,000							140
150	31.2	221.9	29,600 *	38.5	237.6	33,700 *	42.3	244.7	36,500 *	48.0	253.5	41,800 *	53.1	259.1	47,500							150
160	23.2	202.0	26,700 *	32.2	223.3	30,200 *	36.6	232.4	32,600 *	43.0	243.5	37,000 *	48.5	250.8	42,400 *							160
170	10.5	168.0	22,000 *	24.6	204.4	27,100 *	30.0	216.9	29,200 *	37.3	231.4	33,000 *	43.5	241.0	37,500 *	48.8	246.8	37,900				170
180				13.2	174.4	24,300 *	21.6	195.8	26,300 *	30.9	216.4	29,600 *	37.9	229.1	33,400 *	43.8	237.1	35,000				180
190							6.1	153.8	22,300 *	22.8	196.3	26,600 *	31.6	214.5	29,900 *	38.3	225.4	32,400	43.9	231.8	29,700 *	190
200										9.6	160.8	24,000 *	23.7	195.0	26,900 *	32.0	210.9	30,100 *	38.4	220.2	27,300 *	200
210													11.6	162.6	24,300 *	24.3	191.9	27,100 *	32.1	205.8	25,200 *	210
220																12.6	161.1	24,400 *	24.4	186.8	23,200 *	220
230																			12.9	156.5	21,400 *	230



# Liftcrane Luffing Jib Capacities

# M-250 SERIES 3

Luffing Jib No. 133 or No. 133A On  
 Boom No. 44 With Heavy Lift Top  
 248,700 Lb. Crane Counterweight  
 120,000 Lb. Carbody Counterweight  
 360 Degree Rating

Designed And Tested  
 With The Intent To Be In  
 The Scope of ANSI B30.5

## 130 Ft. Boom, 170 Ft. Jib

Jib Oper. Rad. Feet	88 Degree Boom Angle			83 Degree Boom Angle			80 Degree Boom Angle			75 Degree Boom Angle			70 Degree Boom Angle			65 Degree Boom Angle			60 Degree Boom Angle			Jib Oper. Rad. Feet
	Jib Ang. Deg.	Jib Point Elev. Feet	Luffing Jib Capacity Pounds	Jib Ang. Deg.	Jib Point Elev. Feet	Luffing Jib Capacity Pounds	Jib Ang. Deg.	Jib Point Elev. Feet	Luffing Jib Capacity Pounds	Jib Ang. Deg.	Jib Point Elev. Feet	Luffing Jib Capacity Pounds	Jib Ang. Deg.	Jib Point Elev. Feet	Luffing Jib Capacity Pounds	Jib Ang. Deg.	Jib Point Elev. Feet	Luffing Jib Capacity Pounds	Jib Ang. Deg.	Jib Point Elev. Feet	Luffing Jib Capacity Pounds	
55	75.9	304.7	83,000 *																			55
60	74.2	303.3	80,800 *																			60
65	72.4	301.8	78,600 *																			65
70	70.6	300.1	76,400 *																			70
75	68.8	298.2	74,100 *																			75
80	67.0	296.1	72,000 *																			80
85	65.2	293.9	69,300 *	69.4	297.8	75,400 *																85
90	63.3	291.4	63,800 *	67.6	295.8	73,400 *																90
95	61.4	288.7	58,900 *	65.7	293.5	71,000 *																95
100	59.4	285.9	54,700 *	63.9	291.1	65,400 *	66.4	293.3	73,600 *													100
105	57.5	282.7	50,900 *	62.0	288.5	60,400 *	64.5	291.0	67,500 *													105
110	55.4	279.4	47,500 *	60.0	285.7	55,900 *	62.7	288.4	62,200 *													110
115	53.3	275.7	44,400 *	58.0	282.7	52,000 *	60.7	285.7	57,600 *													115
120	51.2	271.8	41,600 *	56.0	279.4	48,500 *	58.8	282.7	53,400 *													120
130	46.7	262.9	36,800 *	51.8	272.0	42,500 *	54.7	276.1	46,500 *	59.3	280.9	54,400 *										130
140	41.8	252.5	32,800 *	47.4	263.3	37,500 *	50.5	268.3	40,900 *	55.2	274.3	47,300 *										140
150	36.4	240.0	29,300 *	42.6	253.2	33,400 *	45.9	259.2	36,200 *	51.0	266.7	41,500 *	55.6	271.4	47,200							150
160	30.2	224.6	26,400 *	37.3	241.0	29,800 *	41.0	248.5	32,200 *	46.5	257.8	36,700 *	51.4	263.9	42,000 *							160
170	22.5	204.0	23,800 *	31.2	226.1	26,800 *	35.5	235.6	28,900 *	41.6	247.3	32,700 *	46.9	255.1	37,200 *	51.7	259.9	37,600				170
180	10.2	168.9	19,500 *	23.8	206.5	24,100 *	29.1	219.5	26,000 *	36.2	234.7	29,300 *	42.1	244.8	33,100 *	47.2	251.2	34,700				180
190				12.8	175.5	21,600 *	21.0	197.6	23,400 *	29.9	219.1	26,300 *	36.7	232.5	29,600 *	42.4	241.0	32,100	47.3	245.9	29,300 *	190
200							5.9	154.3	19,900 *	22.1	198.2	23,700 *	30.6	217.2	26,600 *	37.1	228.8	29,800 *	42.5	235.8	26,900 *	200
210										9.3	161.5	21,400 *	23.0	197.0	24,000 *	31.0	213.7	26,800 *	37.2	223.6	24,800 *	210
220													11.2	163.6	21,700 *	23.5	193.9	24,200 *	31.1	208.6	22,900 *	220
230																12.3	162.1	21,800 *	23.7	188.9	21,100 *	230
240																			12.5	157.5	19,400 *	240



# Liftcrane Luffing Jib Capacities

Luffing Jib No. 133 or No. 133A On  
 Boom No. 44 With Heavy Lift Top  
 248,700 Lb. Crane Counterweight  
 120,000 Lb. Carbody Counterweight  
 360 Degree Rating

Designed And Tested  
 With The Intent To Be In  
 The Scope of ANSI B30.5

## M-250 SERIES 3

### 130 Ft. Boom, 180 Ft. Jib

Jib Oper. Rad. Feet	88 Degree Boom Angle			83 Degree Boom Angle			80 Degree Boom Angle			75 Degree Boom Angle			70 Degree Boom Angle			65 Degree Boom Angle			60 Degree Boom Angle			Jib Oper. Rad. Feet
	Jib Ang. Deg.	Jib Point Elev. Feet	Luffing Jib Capacity Pounds	Jib Ang. Deg.	Jib Point Elev. Feet	Luffing Jib Capacity Pounds	Jib Ang. Deg.	Jib Point Elev. Feet	Luffing Jib Capacity Pounds	Jib Ang. Deg.	Jib Point Elev. Feet	Luffing Jib Capacity Pounds	Jib Ang. Deg.	Jib Point Elev. Feet	Luffing Jib Capacity Pounds	Jib Ang. Deg.	Jib Point Elev. Feet	Luffing Jib Capacity Pounds	Jib Ang. Deg.	Jib Point Elev. Feet	Luffing Jib Capacity Pounds	
60	75.1	313.7	75,700 *																			60
65	73.4	312.3	73,700 *																			65
70	71.8	310.7	71,700 *																			70
75	70.1	308.9	69,600 *																			75
80	68.4	307.0	67,400 *																			80
85	66.6	304.9	64,800 *	70.6	308.4	70,500 *																85
90	64.9	302.6	62,200 *	68.9	306.6	68,600 *																90
95	63.1	300.1	58,400 *	67.2	304.5	66,000 *																95
100	61.3	297.4	54,100 *	65.4	302.3	63,600 *	67.8	304.2	70,100 *													100
105	59.5	294.5	50,300 *	63.6	299.8	59,800 *	66.1	302.0	67,000 *													105
110	57.6	291.4	46,900 *	61.9	297.2	55,400 *	64.3	299.6	61,700 *													110
115	55.7	288.1	43,900 *	60.0	294.4	51,500 *	62.5	297.1	57,000 *													115
120	53.7	284.5	41,100 *	58.2	291.3	47,900 *	60.7	294.4	52,900 *													120
130	49.6	276.4	36,300 *	54.3	284.5	41,900 *	57.0	288.2	46,000 *	61.2	292.4	53,900 *										130
140	45.3	267.1	32,200 *	50.3	276.7	37,000 *	53.1	281.1	40,300 *	57.4	286.4	46,800 *										140
150	40.6	256.2	28,800 *	46.0	267.6	32,800 *	48.9	272.9	35,600 *	53.5	279.4	41,000 *	57.8	283.4	46,700							150
160	35.4	243.2	25,800 *	41.3	257.0	29,300 *	44.5	263.3	31,700 *	49.5	271.3	36,200 *	53.9	276.6	41,500 *							160
170	29.3	227.2	23,200 *	36.2	244.3	26,300 *	39.7	252.1	28,300 *	45.1	262.0	32,200 *	49.9	268.6	36,600 *							170
180	21.8	205.9	20,900 *	30.3	228.8	23,600 *	34.4	238.7	25,400 *	40.4	251.0	28,700 *	45.5	259.4	32,600 *	50.1	264.6	34,200				180
190	9.9	169.7	17,100 *	23.1	208.6	21,300 *	28.2	222.0	22,900 *	35.1	237.9	25,800 *	40.8	248.6	29,100 *	45.8	255.5	31,600				190
200				12.4	176.6	19,100 *	20.3	199.4	20,600 *	29.0	221.7	23,200 *	35.7	235.7	26,100 *	41.1	244.8	29,300 *	45.9	250.2	26,300 *	200
210							5.8	154.8	17,500 *	21.5	200.1	20,900 *	29.7	219.8	23,500 *	36.0	232.0	26,300 *	41.2	239.5	24,200 *	210
220										9.0	162.3	18,900 *	22.3	199.0	21,200 *	30.1	216.4	23,600 *	36.1	226.9	22,200 *	220
230													10.9	164.5	19,100 *	22.8	195.9	21,300 *	30.2	211.3	20,500 *	230
240																11.9	163.1	19,200 *	23.0	191.0	18,900 *	240
250																			12.2	158.6	17,300 *	250





# Liftcrane Luffing Jib Capacities

# M-250 SERIES 3

Luffing Jib No. 133 or No. 133A On  
 Boom No. 44 With Heavy Lift Top  
 248,700 Lb. Crane Counterweight  
 120,000 Lb. Carbody Counterweight  
 360 Degree Rating

Designed And Tested  
 With The Intent To Be In  
 The Scope of ANSI B30.5

## 130 Ft. Boom, 190 Ft. Jib

Jib Oper. Rad. Feet	88 Degree Boom Angle			83 Degree Boom Angle			80 Degree Boom Angle			75 Degree Boom Angle			70 Degree Boom Angle			65 Degree Boom Angle			60 Degree Boom Angle			Jib Oper. Rad. Feet
	Jib Ang. Deg.	Jib Point Elev. Feet	Luffing Jib Capacity Pounds	Jib Ang. Deg.	Jib Point Elev. Feet	Luffing Jib Capacity Pounds	Jib Ang. Deg.	Jib Point Elev. Feet	Luffing Jib Capacity Pounds	Jib Ang. Deg.	Jib Point Elev. Feet	Luffing Jib Capacity Pounds	Jib Ang. Deg.	Jib Point Elev. Feet	Luffing Jib Capacity Pounds	Jib Ang. Deg.	Jib Point Elev. Feet	Luffing Jib Capacity Pounds	Jib Ang. Deg.	Jib Point Elev. Feet	Luffing Jib Capacity Pounds	
60	75.9	324.1	69,300 *																			60
65	74.3	322.7	68,700 *																			65
70	72.8	321.2	67,400 *																			70
75	71.2	319.5	65,200 *																			75
80	69.6	317.7	62,900 *																			80
85	67.9	315.7	60,600 *																			85
90	66.3	313.6	58,200 *	70.0	317.3	63,700 *																90
95	64.6	311.3	55,800 *	68.4	315.3	61,600 *																95
100	63.0	308.8	53,400 *	66.8	313.2	59,300 *																100
105	61.2	306.1	49,800 *	65.1	311.0	57,000 *	67.4	312.9	62,900 *													105
110	59.5	303.2	46,400 *	63.5	308.5	54,700 *	65.7	310.7	60,400 *													110
115	57.7	300.1	43,400 *	61.8	305.9	51,000 *	64.1	308.3	56,500 *													115
120	55.9	296.8	40,600 *	60.0	303.0	47,400 *	62.4	305.8	52,400 *													120
130	52.2	289.4	35,800 *	56.5	296.8	41,400 *	58.9	300.1	45,500 *	62.8	303.8	53,400 *										130
140	48.2	281.0	31,700 *	52.7	289.5	36,500 *	55.3	293.5	39,800 *	59.3	298.2	46,300 *										140
150	44.0	271.2	28,300 *	48.8	281.3	32,300 *	51.5	286.0	35,100 *	55.8	291.7	40,500 *										150
160	39.4	259.8	25,300 *	44.7	271.7	28,800 *	47.5	277.3	31,200 *	52.0	284.3	35,700 *	56.1	288.8	41,000 *							160
170	34.4	246.3	22,700 *	40.2	260.6	25,800 *	43.3	267.3	27,800 *	48.0	275.8	31,700 *	52.4	281.5	36,100 *							170
180	28.5	229.7	20,500 *	35.2	247.5	23,100 *	38.6	255.6	24,900 *	43.8	266.0	28,200 *	48.4	273.1	32,100 *	52.6	277.5	33,700				180
190	21.2	207.8	18,400 *	29.5	231.4	20,800 *	33.5	241.7	22,400 *	39.2	254.6	25,300 *	44.2	263.5	28,600 *	48.7	269.2	31,100				190
200	9.6	170.6	14,900 *	22.5	210.6	18,700 *	27.4	224.4	20,200 *	34.1	241.0	22,700 *	39.7	252.2	25,600 *	44.5	259.6	28,800 *				200
210				12.1	177.6	16,700 *	19.8	201.1	18,200 *	28.2	224.2	20,400 *	34.7	238.8	23,000 *	40.0	248.4	25,800 *	44.6	254.3	23,500 *	210
220							5.6	155.2	15,300 *	20.9	201.9	18,400 *	28.9	222.4	20,700 *	35.0	235.2	23,100 *	40.1	243.2	21,600 *	220
230										8.8	163.0	16,600 *	21.7	200.9	18,600 *	29.3	219.0	20,800 *	35.1	230.0	19,900 *	230
240													10.6	165.4	16,800 *	22.2	197.9	18,800 *	29.4	213.9	18,300 *	240
250																11.6	164.1	16,900 *	22.3	192.9	16,800 *	250
260																			11.8	159.6	15,300 *	260



# Liftcrane Luffing Jib Capacities

Luffing Jib No. 133 or No. 133A On  
 Boom No. 44 With Heavy Lift Top  
 248,700 Lb. Crane Counterweight  
 120,000 Lb. Carbody Counterweight  
 360 Degree Rating

Designed And Tested  
 With The Intent To Be In  
 The Scope of ANSI B30.5

## M-250 SERIES 3

### 130 Ft. Boom, 200 Ft. Jib

Jib Oper. Rad. Feet	88 Degree Boom Angle			83 Degree Boom Angle			80 Degree Boom Angle			75 Degree Boom Angle			70 Degree Boom Angle			65 Degree Boom Angle			60 Degree Boom Angle			Jib Oper. Rad. Feet
	Jib Ang. Deg.	Jib Point Elev. Feet	Luffing Jib Capacity Pounds	Jib Ang. Deg.	Jib Point Elev. Feet	Luffing Jib Capacity Pounds	Jib Ang. Deg.	Jib Point Elev. Feet	Luffing Jib Capacity Pounds	Jib Ang. Deg.	Jib Point Elev. Feet	Luffing Jib Capacity Pounds	Jib Ang. Deg.	Jib Point Elev. Feet	Luffing Jib Capacity Pounds	Jib Ang. Deg.	Jib Point Elev. Feet	Luffing Jib Capacity Pounds	Jib Ang. Deg.	Jib Point Elev. Feet	Luffing Jib Capacity Pounds	
65	75.1	333.1	62,100 *																			65
70	73.6	331.7	61,500 *																			70
75	72.1	330.1	60,600 *																			75
80	70.6	328.4	58,400 *																			80
85	69.1	326.5	56,100 *																			85
90	67.6	324.5	53,800 *																			90
95	66.0	322.3	51,500 *	69.6	326.1	56,900 *																95
100	64.4	320.0	49,200 *	68.0	324.1	54,800 *																100
105	62.8	317.4	46,900 *	66.5	321.9	52,600 *																105
110	61.2	314.7	44,700 *	64.9	319.6	50,300 *	67.0	321.7	55,600 *													110
115	59.5	311.8	42,500 *	63.3	317.2	48,000 *	65.5	319.4	53,100 *													115
120	57.8	308.8	40,100 *	61.7	314.5	45,800 *	63.9	317.0	50,700 *													120
130	54.4	301.9	35,200 *	58.3	308.7	40,900 *	60.6	311.7	44,900 *													130
140	50.7	294.2	31,200 *	54.9	302.0	35,900 *	57.3	305.6	39,300 *	61.0	309.8	45,700 *										140
150	46.9	285.3	27,700 *	51.3	294.4	31,800 *	53.8	298.6	34,600 *	57.7	303.8	39,900 *										150
160	42.8	275.1	24,800 *	47.5	285.7	28,300 *	50.1	290.7	30,600 *	54.2	296.9	35,100 *	58.0	300.8	40,500 *							160
170	38.4	263.3	22,200 *	43.5	275.7	25,200 *	46.3	281.6	27,300 *	50.6	289.1	31,100 *	54.6	294.0	35,600 *							170
180	33.5	249.3	19,900 *	39.1	264.2	22,600 *	42.1	271.2	24,400 *	46.7	280.2	27,700 *	50.9	286.3	31,500 *							180
190	27.8	232.2	17,900 *	34.2	250.6	20,300 *	37.6	259.1	21,800 *	42.6	269.9	24,700 *	47.1	277.5	28,000 *	51.2	282.3	30,600				190
200	20.7	209.6	16,100 *	28.7	234.0	18,200 *	32.6	244.6	19,600 *	38.2	258.1	22,200 *	43.1	267.4	25,000 *	47.4	273.6	28,200 *				200
210	9.4	171.3	12,900 *	21.9	212.5	16,400 *	26.7	226.8	17,600 *	33.2	244.0	19,900 *	38.6	255.7	22,400 *	43.3	263.6	25,200 *	47.4	268.3	22,700 *	210
220				11.8	178.6	14,600 *	19.3	202.8	15,800 *	27.5	226.6	17,900 *	33.7	241.9	20,100 *	38.9	252.0	22,600 *	43.4	258.3	20,800 *	220
230							5.4	155.7	13,300 *	20.3	203.7	16,100 *	28.1	224.9	18,100 *	34.1	238.3	20,300 *	39.0	246.8	19,100 *	230
240										8.5	163.8	14,400 *	21.1	202.7	16,300 *	28.5	221.6	18,200 *	34.2	233.1	17,500 *	240
250													10.3	166.3	14,600 *	21.6	199.8	16,400 *	28.6	216.5	16,100 *	250
260																11.3	165.1	14,700 *	21.8	194.8	14,700 *	260
270																			11.5	160.6	13,400 *	270



# Liftcrane Luffing Jib Capacities

# M-250 SERIES 3

Luffing Jib No. 133 or No. 133A On  
 Boom No. 44 With Heavy Lift Top  
 248,700 Lb. Crane Counterweight  
 120,000 Lb. Carbody Counterweight  
 360 Degree Rating

Designed And Tested  
 With The Intent To Be In  
 The Scope of ANSI B30.5

## 140 Ft. Boom, 70 Ft. Jib

Jib Oper. Rad. Feet	88 Degree Boom Angle			83 Degree Boom Angle			80 Degree Boom Angle			75 Degree Boom Angle			70 Degree Boom Angle			65 Degree Boom Angle			60 Degree Boom Angle			Jib Oper. Rad. Feet
	Jib Ang. Deg.	Jib Point Elev. Feet	Luffing Jib Capacity Pounds	Jib Ang. Deg.	Jib Point Elev. Feet	Luffing Jib Capacity Pounds	Jib Ang. Deg.	Jib Point Elev. Feet	Luffing Jib Capacity Pounds	Jib Ang. Deg.	Jib Point Elev. Feet	Luffing Jib Capacity Pounds	Jib Ang. Deg.	Jib Point Elev. Feet	Luffing Jib Capacity Pounds	Jib Ang. Deg.	Jib Point Elev. Feet	Luffing Jib Capacity Pounds	Jib Ang. Deg.	Jib Point Elev. Feet	Luffing Jib Capacity Pounds	
45	63.7	212.3	152,200 *b																			45
50	59.0	209.4	140,800 *b																			50
55	54.0	206.0	123,800 *b	65.8	212.4	155,800 *b																55
60	48.7	201.8	109,400 *	61.2	209.8	144,400 *b	67.9	212.3	162,200 *b													60
65	42.8	196.8	97,800 *	56.4	206.6	132,000 *b	63.4	209.9	151,600 *b													65
70	36.3	190.5	88,200 *	51.2	202.8	115,800 *	58.7	207.0	140,700 *b													70
75	28.4	182.3	80,200 *	45.7	198.2	103,000 *	53.7	203.5	123,400 *b													75
80	17.3	169.8	73,400 *	39.5	192.6	92,500 *	48.4	199.3	109,100 *	60.7	205.5	115,800 b										80
85				32.3	185.4	83,900 *	42.5	194.2	97,500 *	55.8	202.2	107,400 b										85
90				23.2	175.4	76,600 *	35.9	187.8	88,100 *	50.6	198.4	100,100										90
95				5.1	153.9	69,400 *	27.9	179.4	80,100 *	45.0	193.7	93,700	57.6	199.6	89,500 b							95
100							16.5	166.5	73,400 *	38.8	187.9	87,900	52.5	196.0	84,000							100
105										31.4	180.5	82,800	47.1	191.6	79,100							105
110										22.0	170.1	76,100 *	41.1	186.3	74,700							110
115													34.2	179.5	70,700	48.7	188.1	67,500				115
120													25.8	170.5	67,000	42.9	183.0	64,000				120
130																28.4	168.6	57,900	44.0	178.3	55,300	130
140																		50,300	30.1	164.5	50,300	140



# Liftcrane Luffing Jib Capacities

Luffing Jib No. 133 or No. 133A On  
 Boom No. 44 With Heavy Lift Top  
 248,700 Lb. Crane Counterweight  
 120,000 Lb. Carbody Counterweight  
 360 Degree Rating

Designed And Tested  
 With The Intent To Be In  
 The Scope of ANSI B30.5

## M-250 SERIES 3

### 140 Ft. Boom, 80 Ft. Jib

Jib Oper. Rad. Feet	88 Degree Boom Angle			83 Degree Boom Angle			80 Degree Boom Angle			75 Degree Boom Angle			70 Degree Boom Angle			65 Degree Boom Angle			60 Degree Boom Angle			Jib Oper. Rad. Feet
	Jib Ang. Deg.	Jib Point Elev. Feet	Luffing Jib Capacity Pounds	Jib Ang. Deg.	Jib Point Elev. Feet	Luffing Jib Capacity Pounds	Jib Ang. Deg.	Jib Point Elev. Feet	Luffing Jib Capacity Pounds	Jib Ang. Deg.	Jib Point Elev. Feet	Luffing Jib Capacity Pounds	Jib Ang. Deg.	Jib Point Elev. Feet	Luffing Jib Capacity Pounds	Jib Ang. Deg.	Jib Point Elev. Feet	Luffing Jib Capacity Pounds	Jib Ang. Deg.	Jib Point Elev. Feet	Luffing Jib Capacity Pounds	
45	67.2	223.4	148,300 *b																			45
50	63.2	221.0	137,600 *b																			50
55	59.1	218.1	124,600 *b	69.0	223.3	150,300 *b																55
60	54.8	214.7	110,000 *	65.1	221.1	141,200 *b																60
65	50.2	210.8	98,300 *	61.1	218.4	131,400 *b	67.0	221.0	147,400 *b													65
70	45.3	206.1	88,600 *	56.8	215.3	116,500 *	63.0	218.5	138,500 *b													70
75	39.9	200.4	80,600 *	52.4	211.6	103,500 *	58.9	215.7	125,000 *													75
80	33.8	193.5	73,700 *	47.7	207.3	93,000 *	54.5	212.3	110,300 *													80
85	26.4	184.6	67,900 *	42.5	202.1	84,300 *	49.9	208.3	98,600 *	60.6	214.1	106,800 b										85
90	16.1	171.1	62,700 *	36.8	195.9	76,900 *	45.0	203.5	88,900 *	56.4	210.9	99,600										90
95				30.1	188.1	70,600 *	39.6	197.8	80,800 *	51.9	207.2	93,100										95
100				21.6	177.3	65,100 *	33.4	190.8	74,000 *	47.1	202.8	87,400	57.9	208.3	83,400							100
105				4.7	154.2	59,700 *	26.0	181.7	68,100 *	41.9	197.5	82,300	53.5	204.8	78,500							105
110							15.4	167.8	62,900 *	36.1	191.2	76,800 *	48.9	200.6	74,100							110
115										29.3	183.1	70,500 *	43.8	195.7	70,200							115
120										20.5	171.8	65,000 *	38.3	189.8	66,500	50.2	197.0	63,400				120
130													24.0	172.6	60,200	39.9	186.7	57,400				130
140																26.5	170.9	52,200	41.0	182.0	49,700	140
150																28.0	167.0	45,400	28.0	167.0	45,400	150



# Liftcrane Luffing Jib Capacities

## M-250 SERIES 3

Luffing Jib No. 133 or No. 133A On  
 Boom No. 44 With Heavy Lift Top  
 248,700 Lb. Crane Counterweight  
 120,000 Lb. Carbody Counterweight  
 360 Degree Rating

Designed And Tested  
 With The Intent To Be In  
 The Scope of ANSI B30.5

### 140 Ft. Boom, 90 Ft. Jib

Jib Oper. Rad. Feet	88 Degree Boom Angle			83 Degree Boom Angle			80 Degree Boom Angle			75 Degree Boom Angle			70 Degree Boom Angle			65 Degree Boom Angle			60 Degree Boom Angle			Jib Oper. Rad. Feet
	Jib Ang. Deg.	Jib Point Elev. Feet	Luffing Jib Capacity Pounds	Jib Ang. Deg.	Jib Point Elev. Feet	Luffing Jib Capacity Pounds	Jib Ang. Deg.	Jib Point Elev. Feet	Luffing Jib Capacity Pounds	Jib Ang. Deg.	Jib Point Elev. Feet	Luffing Jib Capacity Pounds	Jib Ang. Deg.	Jib Point Elev. Feet	Luffing Jib Capacity Pounds	Jib Ang. Deg.	Jib Point Elev. Feet	Luffing Jib Capacity Pounds	Jib Ang. Deg.	Jib Point Elev. Feet	Luffing Jib Capacity Pounds	
40	73.2	235.9	152,500 *b																			40
45	69.9	234.2	144,100 *b																			45
50	66.4	232.1	134,400 *b																			50
55	62.9	229.6	125,100 *																			55
60	59.2	226.8	110,400 *	68.0	232.0	136,800 *b																60
65	55.4	223.4	98,600 *	64.6	229.7	128,800 *b																65
70	51.4	219.6	88,900 *	60.9	227.1	117,000 *	66.2	229.7	134,900 *b													70
75	47.1	215.2	80,800 *	57.2	224.0	103,900 *	62.7	227.2	125,500 *													75
80	42.5	210.0	73,900 *	53.3	220.4	93,300 *	59.0	224.3	110,700 *													80
85	37.5	203.9	68,000 *	49.2	216.3	84,500 *	55.2	221.0	98,900 *													85
90	31.8	196.4	62,900 *	44.7	211.5	77,100 *	51.1	217.1	89,200 *	60.5	222.8	99,100										90
95	24.9	186.8	58,300 *	39.9	205.8	70,700 *	46.9	212.6	81,000 *	56.8	219.6	92,700										95
100	15.2	172.4	54,300 *	34.6	199.0	65,200 *	42.3	207.4	74,100 *	52.8	216.0	87,000										100
105				28.3	190.6	60,500 *	37.2	201.2	68,200 *	48.7	211.8	81,900										105
110				20.3	179.1	56,200 *	31.4	193.7	63,000 *	44.2	206.9	76,900 *	54.3	213.5	73,700							110
115				4.3	154.5	52,000 *	24.4	183.9	58,500 *	39.4	201.2	70,600 *	50.2	209.5	69,700							115
120							14.4	169.0	54,500 *	33.9	194.2	65,200 *	45.9	204.9	66,100							120
130										19.2	173.5	56,200 *	36.0	193.0	59,800							130
140													22.6	174.6	54,400	47.1	201.4	56,900				140
150																37.5	190.1	51,800	48.0	196.5	49,200	150
160																24.9	173.1	47,400	38.5	185.6	45,000	160
																26.4	169.3	41,400	26.4	169.3	41,400	160



# Liftcrane Luffing Jib Capacities

Luffing Jib No. 133 or No. 133A On  
 Boom No. 44 With Heavy Lift Top  
 248,700 Lb. Crane Counterweight  
 120,000 Lb. Carbody Counterweight  
 360 Degree Rating

Designed And Tested  
 With The Intent To Be In  
 The Scope of ANSI B30.5

## M-250 SERIES 3

### 140 Ft. Boom, 100 Ft. Jib

Jib Oper. Rad. Feet	88 Degree Boom Angle			83 Degree Boom Angle			80 Degree Boom Angle			75 Degree Boom Angle			70 Degree Boom Angle			65 Degree Boom Angle			60 Degree Boom Angle			Jib Oper. Rad. Feet
	Jib Ang. Deg.	Jib Point Elev. Feet	Luffing Jib Capacity Pounds	Jib Ang. Deg.	Jib Point Elev. Feet	Luffing Jib Capacity Pounds	Jib Ang. Deg.	Jib Point Elev. Feet	Luffing Jib Capacity Pounds	Jib Ang. Deg.	Jib Point Elev. Feet	Luffing Jib Capacity Pounds	Jib Ang. Deg.	Jib Point Elev. Feet	Luffing Jib Capacity Pounds	Jib Ang. Deg.	Jib Point Elev. Feet	Luffing Jib Capacity Pounds	Jib Ang. Deg.	Jib Point Elev. Feet	Luffing Jib Capacity Pounds	
40	75.0	246.4	145,200 *b																			40
45	72.0	244.8	137,700 *b																			45
50	68.9	243.0	130,200 *b																			50
55	65.8	240.8	121,800 *																			55
60	62.6	238.3	111,200 *	70.4	242.8	132,100 *b																60
65	59.3	235.4	99,200 *	67.3	240.8	125,200 *																65
70	55.9	232.2	89,300 *	64.1	238.4	117,500 *																70
75	52.3	228.4	81,100 *	60.8	235.7	104,600 *	65.6	238.4	123,900 *													75
80	48.5	224.2	74,100 *	57.5	232.7	93,800 *	62.4	235.9	110,800 *													80
85	44.5	219.3	68,100 *	54.0	229.2	84,900 *	59.1	233.0	98,900 *													85
90	40.2	213.7	62,900 *	50.3	225.2	77,300 *	55.7	229.7	89,100 *													90
95	35.5	207.1	58,400 *	46.4	220.6	70,900 *	52.1	225.9	80,900 *	60.5	231.4	92,100										95
100	30.1	199.1	54,400 *	42.3	215.4	65,400 *	48.3	221.7	74,000 *	57.1	228.3	86,400										100
105	23.5	188.9	50,700 *	37.8	209.3	60,500 *	44.3	216.8	68,000 *	53.6	224.8	81,400										105
110	14.3	173.6	47,500 *	32.7	202.0	56,200 *	40.0	211.1	62,900 *	49.9	220.7	76,800 *										110
115				26.8	193.0	52,400 *	35.2	204.4	58,300 *	46.0	216.1	70,500 *	54.9	222.3	69,100							115
120				19.2	180.8	49,000 *	29.7	196.3	54,300 *	41.8	210.8	65,000 *	51.3	218.4	65,500							120
130							13.6	170.2	47,500 *	32.1	197.1	56,000 *	43.4	208.9	59,300	52.3	214.7	56,200				130
140										18.2	175.1	48,900 *	34.0	196.1	53,900	44.5	205.6	51,200				140
150													21.4	176.5	49,300	35.5	193.4	46,800	45.3	200.7	44,400	150
160																23.6	175.2	43,000	36.4	188.9	40,800	160
170																			24.9	171.5	37,600	170



# Liftcrane Luffing Jib Capacities

# M-250 SERIES 3

Luffing Jib No. 133 or No. 133A On  
 Boom No. 44 With Heavy Lift Top  
 248,700 Lb. Crane Counterweight  
 120,000 Lb. Carbody Counterweight  
 360 Degree Rating

Designed And Tested  
 With The Intent To Be In  
 The Scope of ANSI B30.5

## 140 Ft. Boom, 110 Ft. Jib

Jib Oper. Rad. Feet	88 Degree Boom Angle			83 Degree Boom Angle			80 Degree Boom Angle			75 Degree Boom Angle			70 Degree Boom Angle			65 Degree Boom Angle			60 Degree Boom Angle			Jib Oper. Rad. Feet
	Jib Ang. Deg.	Jib Point Elev. Feet	Luffing Jib Capacity Pounds	Jib Ang. Deg.	Jib Point Elev. Feet	Luffing Jib Capacity Pounds	Jib Ang. Deg.	Jib Point Elev. Feet	Luffing Jib Capacity Pounds	Jib Ang. Deg.	Jib Point Elev. Feet	Luffing Jib Capacity Pounds	Jib Ang. Deg.	Jib Point Elev. Feet	Luffing Jib Capacity Pounds	Jib Ang. Deg.	Jib Point Elev. Feet	Luffing Jib Capacity Pounds	Jib Ang. Deg.	Jib Point Elev. Feet	Luffing Jib Capacity Pounds	
45	73.7	255.3	132,500 *b																			45
50	70.9	253.6	126,100 *b																			50
55	68.1	251.7	118,900 *																			55
60	65.3	249.5	111,700 *																			60
65	62.3	247.0	101,500 *	69.4	251.6	121,200 *																65
70	59.3	244.1	91,400 *	66.6	249.5	115,000 *																70
75	56.2	240.9	82,900 *	63.7	247.1	107,000 *	68.0	249.3	121,000 *													75
80	53.0	237.2	75,800 *	60.8	244.4	95,900 *	65.1	247.1	113,300 *													80
85	49.7	233.1	69,700 *	57.7	241.3	86,800 *	62.2	244.5	101,100 *													85
90	46.1	228.5	64,300 *	54.6	237.9	79,100 *	59.2	241.7	91,000 *													90
95	42.3	223.2	59,700 *	51.3	234.0	72,500 *	56.1	238.4	82,700 *													95
100	38.2	217.2	55,600 *	47.8	229.7	66,800 *	52.8	234.7	75,600 *	60.4	240.1	85,900										100
105	33.7	210.1	51,900 *	44.1	224.7	61,800 *	49.5	230.6	69,500 *	57.4	237.0	80,800										105
110	28.6	201.6	48,600 *	40.2	219.1	57,500 *	45.9	225.9	64,200 *	54.2	233.5	76,300										110
115	22.4	190.8	45,600 *	35.9	212.5	53,600 *	42.1	220.6	59,600 *	50.9	229.6	72,000 *										115
120	13.6	174.8	42,300 *	31.1	204.8	50,100 *	38.0	214.6	55,500 *	47.4	225.2	66,400 *	55.4	231.0	65,000							120
130				18.3	182.3	44,200 *	28.3	198.8	48,600 *	39.8	214.4	57,200 *	48.7	223.0	58,800							130
140							13.0	171.3	42,900 *	30.5	199.8	49,900 *	41.2	212.7	53,500	49.7	219.4	50,700				140
150										17.3	176.6	44,000 *	32.4	199.0	48,900	42.3	209.5	46,300				150
160													20.3	178.2	44,900	33.8	196.4	42,600	43.1	204.7	40,200	160
170																22.4	177.1	39,200	34.7	192.0	37,100	170
180																			23.7	173.6	34,200 *	180



# Liftcrane Luffing Jib Capacities

Luffing Jib No. 133 or No. 133A On  
 Boom No. 44 With Heavy Lift Top  
 248,700 Lb. Crane Counterweight  
 120,000 Lb. Carbody Counterweight  
 360 Degree Rating

Designed And Tested  
 With The Intent To Be In  
 The Scope of ANSI B30.5

## M-250 SERIES 3

### 140 Ft. Boom, 120 Ft. Jib

Jib Oper. Rad. Feet	88 Degree Boom Angle			83 Degree Boom Angle			80 Degree Boom Angle			75 Degree Boom Angle			70 Degree Boom Angle			65 Degree Boom Angle			60 Degree Boom Angle			Jib Oper. Rad. Feet
	Jib Ang. Deg.	Jib Point Elev. Feet	Luffing Jib Capacity Pounds	Jib Ang. Deg.	Jib Point Elev. Feet	Luffing Jib Capacity Pounds	Jib Ang. Deg.	Jib Point Elev. Feet	Luffing Jib Capacity Pounds	Jib Ang. Deg.	Jib Point Elev. Feet	Luffing Jib Capacity Pounds	Jib Ang. Deg.	Jib Point Elev. Feet	Luffing Jib Capacity Pounds	Jib Ang. Deg.	Jib Point Elev. Feet	Luffing Jib Capacity Pounds	Jib Ang. Deg.	Jib Point Elev. Feet	Luffing Jib Capacity Pounds	
45	75.1	265.7	123,500 *b																			45
50	72.6	264.2	119,300 *																			50
55	70.0	262.5	115,200 *																			55
60	67.5	260.5	108,900 *																			60
65	64.8	258.2	101,200 *																			65
70	62.1	255.6	91,000 *	68.7	260.3	111,300 *																70
75	59.4	252.7	82,600 *	66.1	258.2	105,900 *																75
80	56.6	249.5	75,400 *	63.4	255.8	95,600 *	67.3	258.1	111,500 *													80
85	53.6	246.0	69,300 *	60.7	253.1	86,400 *	64.7	255.8	100,800 *													85
90	50.6	242.0	63,900 *	57.9	250.0	78,700 *	62.0	253.2	90,700 *													90
95	47.4	237.6	59,300 *	55.0	246.6	72,100 *	59.2	250.3	82,300 *													95
100	44.0	232.6	55,100 *	52.0	242.8	66,400 *	56.4	247.1	75,200 *													100
105	40.4	226.9	51,500 *	48.9	238.6	61,400 *	53.5	243.5	69,100 *	60.4	248.8	80,300										105
110	36.5	220.5	48,200 *	45.6	233.9	57,100 *	50.4	239.5	63,800 *	57.6	245.7	75,700										110
115	32.2	213.0	45,200 *	42.1	228.6	53,200 *	47.2	235.0	59,200 *	54.7	242.3	71,600 *										115
120	27.3	204.1	42,500 *	38.4	222.6	49,700 *	43.8	230.0	55,100 *	51.7	238.4	66,000 *										120
130	13.0	175.9	37,200 *	29.7	207.4	43,800 *	36.3	217.8	48,100 *	45.3	229.4	56,800 *	52.8	236.0	58,200							130
140				17.5	183.9	38,900 *	27.0	201.2	42,500 *	38.0	217.9	49,500 *	46.5	227.3	52,900							140
150							12.4	172.3	37,800 *	29.2	202.5	43,600 *	39.4	216.3	48,400	47.4	223.8	45,700				150
160										16.6	178.0	38,700 *	30.9	201.8	44,400	40.4	213.2	42,000	48.0	218.9	39,600	160
170													19.4	179.9	39,600 *	32.3	199.3	38,700	41.1	208.5	36,400 *	170
180																21.4	179.0	35,800	33.1	195.0	33,500 *	180
190																			22.7	175.6	30,800 *	190





# Liftcrane Luffing Jib Capacities

# M-250 SERIES 3

Luffing Jib No. 133 or No. 133A On  
 Boom No. 44 With Heavy Lift Top  
 248,700 Lb. Crane Counterweight  
 120,000 Lb. Carbody Counterweight  
 360 Degree Rating

Designed And Tested  
 With The Intent To Be In  
 The Scope of ANSI B30.5

## 140 Ft. Boom, 130 Ft. Jib

Jib Oper. Rad. Feet	88 Degree Boom Angle			83 Degree Boom Angle			80 Degree Boom Angle			75 Degree Boom Angle			70 Degree Boom Angle			65 Degree Boom Angle			60 Degree Boom Angle			Jib Oper. Rad. Feet
	Jib Ang. Deg.	Jib Point Elev. Feet	Luffing Jib Capacity Pounds	Jib Ang. Deg.	Jib Point Elev. Feet	Luffing Jib Capacity Pounds	Jib Ang. Deg.	Jib Point Elev. Feet	Luffing Jib Capacity Pounds	Jib Ang. Deg.	Jib Point Elev. Feet	Luffing Jib Capacity Pounds	Jib Ang. Deg.	Jib Point Elev. Feet	Luffing Jib Capacity Pounds	Jib Ang. Deg.	Jib Point Elev. Feet	Luffing Jib Capacity Pounds	Jib Ang. Deg.	Jib Point Elev. Feet	Luffing Jib Capacity Pounds	
50	73.9	274.7	110,400 *																			50
55	71.6	273.1	106,700 *																			55
60	69.3	271.3	103,300 *																			60
65	66.9	269.2	99,800 *																			65
70	64.5	266.9	91,700 *	70.4	271.1	105,900 *																70
75	62.0	264.3	83,100 *	68.0	269.1	102,800 *																75
80	59.4	261.4	75,800 *	65.6	266.9	96,400 *																80
85	56.8	258.2	69,600 *	63.2	264.4	87,000 *	66.8	266.8	101,600 *													85
90	54.1	254.7	64,200 *	60.7	261.7	79,200 *	64.3	264.5	91,400 *													90
95	51.3	250.8	59,500 *	58.1	258.7	72,500 *	61.8	261.9	82,800 *													95
100	48.4	246.5	55,300 *	55.4	255.3	66,700 *	59.3	259.0	75,600 *													100
105	45.4	241.8	51,600 *	52.7	251.6	61,700 *	56.7	255.8	69,400 *	62.9	260.2	80,000										105
110	42.2	236.5	48,300 *	49.8	247.5	57,200 *	54.0	252.3	64,100 *	60.4	257.4	75,500										110
115	38.7	230.5	45,300 *	46.9	243.0	53,300 *	51.2	248.3	59,400 *	57.8	254.4	71,400										115
120	35.0	223.7	42,500 *	43.7	238.0	49,800 *	48.3	244.0	55,200 *	55.1	251.0	66,300 *										120
130	26.2	206.4	37,800 *	36.8	225.9	43,800 *	42.0	233.9	48,200 *	49.5	243.1	56,900 *	56.1	248.4	57,900							130
140	12.5	177.0	33,200 *	28.5	210.0	38,900 *	34.8	221.0	42,500 *	43.4	233.4	49,600 *	50.6	240.8	52,700							140
150				16.8	185.3	34,700 *	25.9	203.5	37,800 *	36.4	221.2	43,600 *	44.5	231.5	48,200	51.4	237.1	45,500				150
160							11.9	173.3	33,800 *	28.0	204.9	38,700 *	37.7	219.8	44,200	45.4	228.0	41,800				160
170										15.9	179.4	34,600 *	29.7	204.4	39,600 *	38.8	216.8	38,500	46.0	223.2	36,100 *	170
180													18.6	181.5	35,300 *	30.9	202.1	35,600	39.4	212.1	33,200 *	180
190																20.6	180.8	33,000	31.8	197.8	30,600 *	190
200																			21.8	177.5	28,200 *	200



# Liftcrane Luffing Jib Capacities

Luffing Jib No. 133 or No. 133A On  
 Boom No. 44 With Heavy Lift Top  
 248,700 Lb. Crane Counterweight  
 120,000 Lb. Carbody Counterweight  
 360 Degree Rating

Designed And Tested  
 With The Intent To Be In  
 The Scope of ANSI B30.5

## M-250 SERIES 3

### 140 Ft. Boom, 140 Ft. Jib

Jib Oper. Rad. Feet	88 Degree Boom Angle			83 Degree Boom Angle			80 Degree Boom Angle			75 Degree Boom Angle			70 Degree Boom Angle			65 Degree Boom Angle			60 Degree Boom Angle			Jib Oper. Rad. Feet
	Jib Ang. Deg.	Jib Point Elev. Feet	Luffing Jib Capacity Pounds	Jib Ang. Deg.	Jib Point Elev. Feet	Luffing Jib Capacity Pounds	Jib Ang. Deg.	Jib Point Elev. Feet	Luffing Jib Capacity Pounds	Jib Ang. Deg.	Jib Point Elev. Feet	Luffing Jib Capacity Pounds	Jib Ang. Deg.	Jib Point Elev. Feet	Luffing Jib Capacity Pounds	Jib Ang. Deg.	Jib Point Elev. Feet	Luffing Jib Capacity Pounds	Jib Ang. Deg.	Jib Point Elev. Feet	Luffing Jib Capacity Pounds	
50	75.1	285.1	103,000 *																			50
55	73.0	283.6	99,800 *																			55
60	70.8	281.9	96,700 *																			60
65	68.6	280.0	93,600 *																			65
70	66.4	277.9	90,600 *																			70
75	64.2	275.6	82,700 *	69.7	279.9	95,900 *																75
80	61.8	272.9	75,400 *	67.5	277.8	93,300 *																80
85	59.5	270.1	69,200 *	65.2	275.6	86,600 *																85
90	57.1	266.9	63,800 *	62.9	273.1	78,800 *	66.3	275.5	91,000 *													90
95	54.6	263.5	59,000 *	60.6	270.4	72,000 *	64.0	273.2	82,400 *													95
100	52.0	259.7	54,800 *	58.2	267.4	66,300 *	61.7	270.5	75,200 *													100
105	49.3	255.5	51,100 *	55.8	264.0	61,200 *	59.3	267.6	69,000 *													105
110	46.6	250.9	47,800 *	53.2	260.4	56,800 *	56.9	264.5	63,600 *	62.7	268.9	74,900										110
115	43.6	245.8	44,800 *	50.6	256.4	52,900 *	54.4	261.0	58,900 *	60.3	266.1	70,800										115
120	40.6	240.2	42,100 *	47.9	252.0	49,400 *	51.9	257.2	54,700 *	57.9	263.0	65,800 *										120
130	33.7	226.7	37,400 *	42.0	241.8	43,400 *	46.4	248.4	47,700 *	52.9	256.0	56,500 *										130
140	25.2	208.6	33,400 *	35.4	229.1	38,400 *	40.4	237.6	42,000 *	47.6	247.5	49,100 *	53.9	253.5	52,100							140
150	12.0	178.0	29,400 *	27.4	212.4	34,300 *	33.5	224.0	37,300 *	41.7	237.2	43,200 *	48.6	245.3	47,600							150
160				16.1	186.7	30,700 *	24.9	205.7	33,400 *	35.0	224.3	38,300 *	42.8	235.4	43,700	49.4	241.7	41,200				160
170							11.4	174.3	29,900 *	26.9	207.3	34,200 *	36.3	223.1	39,100 *	43.7	232.1	37,900				170
180										15.3	180.7	30,600 *	28.5	207.0	34,900 *	37.3	220.1	35,100	44.2	227.3	32,400 *	180
190													17.9	183.1	31,300 *	29.8	204.7	32,500	37.9	215.6	29,900 *	190
200																19.8	182.5	30,200	30.6	200.6	27,500 *	200
210																			20.9	179.3	25,400 *	210



# Liftcrane Luffing Jib Capacities

# M-250 SERIES 3

Luffing Jib No. 133 or No. 133A On  
 Boom No. 44 With Heavy Lift Top  
 248,700 Lb. Crane Counterweight  
 120,000 Lb. Carbody Counterweight  
 360 Degree Rating

Designed And Tested  
 With The Intent To Be In  
 The Scope of ANSI B30.5

## 140 Ft. Boom, 150 Ft. Jib

Jib Oper. Rad. Feet	88 Degree Boom Angle			83 Degree Boom Angle			80 Degree Boom Angle			75 Degree Boom Angle			70 Degree Boom Angle			65 Degree Boom Angle			60 Degree Boom Angle			Jib Oper. Rad. Feet
	Jib Ang. Deg.	Jib Point Elev. Feet	Luffing Jib Capacity Pounds	Jib Ang. Deg.	Jib Point Elev. Feet	Luffing Jib Capacity Pounds	Jib Ang. Deg.	Jib Point Elev. Feet	Luffing Jib Capacity Pounds	Jib Ang. Deg.	Jib Point Elev. Feet	Luffing Jib Capacity Pounds	Jib Ang. Deg.	Jib Point Elev. Feet	Luffing Jib Capacity Pounds	Jib Ang. Deg.	Jib Point Elev. Feet	Luffing Jib Capacity Pounds	Jib Ang. Deg.	Jib Point Elev. Feet	Luffing Jib Capacity Pounds	
55	74.2	294.1	94,900 *																			55
60	72.2	292.5	92,300 *																			60
65	70.1	290.7	89,700 *																			65
70	68.1	288.8	87,100 *																			70
75	66.0	286.6	83,600 *																			75
80	63.9	284.2	76,200 *	69.0	288.7	89,000 *																80
85	61.7	281.6	69,800 *	67.0	286.6	86,900 *																85
90	59.5	278.7	64,300 *	64.9	284.3	79,500 *	68.0	286.4	91,900 *													90
95	57.3	275.6	59,500 *	62.7	281.8	72,700 *	65.9	284.2	83,200 *													95
100	54.9	272.2	55,300 *	60.6	279.0	66,900 *	63.8	281.8	75,900 *													100
105	52.6	268.4	51,500 *	58.3	276.0	61,800 *	61.6	279.2	69,600 *													105
110	50.1	264.4	48,200 *	56.1	272.7	57,300 *	59.4	276.3	64,200 *													110
115	47.5	259.9	45,100 *	53.7	269.2	53,300 *	57.1	273.2	59,400 *	62.5	277.5	70,300										115
120	44.9	255.0	42,400 *	51.3	265.3	49,700 *	54.8	269.7	55,200 *	60.3	274.7	66,400 *										120
130	39.1	243.7	37,600 *	46.2	256.3	43,700 *	50.0	261.9	48,100 *	55.8	268.4	56,900 *										130
140	32.5	229.6	33,600 *	40.5	245.5	38,700 *	44.7	252.5	42,300 *	51.0	260.8	49,500 *	56.6	265.8	51,600							140
150	24.3	210.8	30,100 *	34.2	232.2	34,500 *	38.9	241.1	37,500 *	45.9	251.8	43,400 *	51.9	258.4	47,100							150
160	11.6	179.0	25,300 *	26.5	214.8	30,900 *	32.3	226.9	33,500 *	40.2	240.9	38,500 *	46.8	249.7	43,200	52.6	254.7	40,600				160
170				15.6	188.1	27,800 *	24.1	207.9	30,100 *	33.8	227.4	34,300 *	41.3	239.2	39,300 *	47.6	246.2	37,400				170
180							11.0	175.2	27,000 *	26.0	209.6	30,800 *	35.0	226.2	35,100 *	42.1	236.0	34,600				180
190										14.7	182.0	27,700 *	27.5	209.4	31,400 *	36.0	223.4	32,000	42.6	231.2	29,200 *	190
200													17.3	184.6	28,300 *	28.7	207.3	29,700	36.6	218.9	26,900 *	200
210																19.1	184.2	27,600	29.5	203.2	24,800 *	210
220																			20.2	181.1	22,800 *	220



# Liftcrane Luffing Jib Capacities

Luffing Jib No. 133 or No. 133A On  
 Boom No. 44 With Heavy Lift Top  
 248,700 Lb. Crane Counterweight  
 120,000 Lb. Carbody Counterweight  
 360 Degree Rating

Designed And Tested  
 With The Intent To Be In  
 The Scope of ANSI B30.5

## M-250 SERIES 3

### 140 Ft. Boom, 160 Ft. Jib

Jib Oper. Rad. Feet	88 Degree Boom Angle			83 Degree Boom Angle			80 Degree Boom Angle			75 Degree Boom Angle			70 Degree Boom Angle			65 Degree Boom Angle			60 Degree Boom Angle			Jib Oper. Rad. Feet
	Jib Ang. Deg.	Jib Point Elev. Feet	Luffing Jib Capacity Pounds	Jib Ang. Deg.	Jib Point Elev. Feet	Luffing Jib Capacity Pounds	Jib Ang. Deg.	Jib Point Elev. Feet	Luffing Jib Capacity Pounds	Jib Ang. Deg.	Jib Point Elev. Feet	Luffing Jib Capacity Pounds	Jib Ang. Deg.	Jib Point Elev. Feet	Luffing Jib Capacity Pounds	Jib Ang. Deg.	Jib Point Elev. Feet	Luffing Jib Capacity Pounds	Jib Ang. Deg.	Jib Point Elev. Feet	Luffing Jib Capacity Pounds	
55	75.2	304.5	87,600 *																			55
60	73.3	303.0	85,200 *																			60
65	71.4	301.4	82,800 *																			65
70	69.5	299.6	80,500 *																			70
75	67.6	297.5	78,200 *																			75
80	65.6	295.3	76,000 *	70.4	299.3	82,000 *																80
85	63.6	292.9	70,000 *	68.5	297.4	80,000 *																85
90	61.6	290.3	64,500 *	66.6	295.3	78,000 *																90
95	59.5	287.4	59,600 *	64.6	293.0	73,000 *	67.5	295.2	83,700 *													95
100	57.4	284.3	55,300 *	62.6	290.5	67,000 *	65.5	292.9	76,200 *													100
105	55.3	280.9	51,400 *	60.5	287.7	61,800 *	63.5	290.5	69,800 *													105
110	53.1	277.2	48,000 *	58.4	284.7	57,300 *	61.5	287.9	64,300 *													110
115	50.8	273.2	44,900 *	56.3	281.4	53,200 *	59.4	285.0	59,400 *													115
120	48.4	268.9	42,100 *	54.1	277.9	49,600 *	57.3	281.8	55,100 *	62.4	286.2	66,000										120
130	43.4	259.0	37,300 *	49.5	269.9	43,400 *	52.9	274.7	47,900 *	58.2	280.4	56,900 *										130
140	37.8	247.2	33,200 *	44.6	260.4	38,400 *	48.3	266.4	42,100 *	53.9	273.5	49,300 *										140
150	31.4	232.4	29,800 *	39.2	249.1	34,200 *	43.2	256.5	37,200 *	49.3	265.5	43,200 *	54.7	271.0	46,500							150
160	23.5	212.8	26,800 *	33.0	235.2	30,600 *	37.6	244.6	33,200 *	44.3	255.9	38,200 *	50.1	263.2	42,700							160
170	11.2	179.9	22,400 *	25.6	217.0	27,500 *	31.2	229.7	29,700 *	38.9	244.4	34,000 *	45.2	253.9	39,100 *	50.8	259.5	36,800				170
180				15.1	189.4	24,700 *	23.3	209.9	26,800 *	32.7	230.3	30,400 *	39.9	242.8	34,700 *	45.9	250.5	34,000				180
190							10.6	176.1	24,000 *	25.1	211.9	27,400 *	33.9	229.3	31,100 *	40.7	239.7	31,500	46.4	245.6	28,300 *	190
200										14.2	183.2	24,700 *	26.6	211.8	27,900 *	34.8	226.5	29,200	41.2	235.0	26,100 *	200
210													16.7	186.1	25,100 *	27.8	209.8	27,100	35.4	222.1	24,000 *	210
220																18.5	185.8	25,200	28.5	205.8	22,100 *	220
230																			19.5	182.8	20,400 *	230



# Liftcrane Luffing Jib Capacities

# M-250 SERIES 3

Luffing Jib No. 133 or No. 133A On  
 Boom No. 44 With Heavy Lift Top  
 248,700 Lb. Crane Counterweight  
 120,000 Lb. Carbody Counterweight  
 360 Degree Rating

Designed And Tested  
 With The Intent To Be In  
 The Scope of ANSI B30.5

## 140 Ft. Boom, 170 Ft. Jib

Jib Oper. Rad. Feet	88 Degree Boom Angle			83 Degree Boom Angle			80 Degree Boom Angle			75 Degree Boom Angle			70 Degree Boom Angle			65 Degree Boom Angle			60 Degree Boom Angle			Jib Oper. Rad. Feet
	Jib Ang. Deg.	Jib Point Elev. Feet	Luffing Jib Capacity Pounds	Jib Ang. Deg.	Jib Point Elev. Feet	Luffing Jib Capacity Pounds	Jib Ang. Deg.	Jib Point Elev. Feet	Luffing Jib Capacity Pounds	Jib Ang. Deg.	Jib Point Elev. Feet	Luffing Jib Capacity Pounds	Jib Ang. Deg.	Jib Point Elev. Feet	Luffing Jib Capacity Pounds	Jib Ang. Deg.	Jib Point Elev. Feet	Luffing Jib Capacity Pounds	Jib Ang. Deg.	Jib Point Elev. Feet	Luffing Jib Capacity Pounds	
60	74.3	313.4	80,000 *																			60
65	72.6	311.9	77,900 *																			65
70	70.8	310.2	75,800 *																			70
75	69.0	308.3	73,700 *																			75
80	67.2	306.3	71,600 *																			80
85	65.3	304.0	69,000 *	69.8	308.2	75,100 *																85
90	63.4	301.6	64,200 *	68.0	306.2	73,200 *																90
95	61.5	298.9	59,300 *	66.2	304.0	71,300 *																95
100	59.6	296.1	55,000 *	64.3	301.7	66,700 *	67.0	303.9	76,000 *													100
105	57.6	293.0	51,100 *	62.4	299.1	61,500 *	65.2	301.6	69,500 *													105
110	55.6	289.6	47,700 *	60.5	296.4	57,000 *	63.3	299.2	64,000 *													110
115	53.5	286.0	44,600 *	58.5	293.4	52,900 *	61.4	296.5	59,100 *													115
120	51.3	282.1	41,800 *	56.5	290.1	49,300 *	59.5	293.6	54,800 *													120
130	46.9	273.3	37,000 *	52.4	282.9	43,100 *	55.4	287.1	47,600 *	60.3	292.1	56,600 *										130
140	42.0	262.9	32,900 *	47.9	274.4	38,100 *	51.2	279.6	41,800 *	56.3	285.8	49,000 *										140
150	36.6	250.5	29,500 *	43.2	264.4	33,800 *	46.7	270.7	36,900 *	52.1	278.5	42,900 *	57.0	283.1	46,200							150
160	30.5	235.2	26,500 *	38.0	252.6	30,200 *	41.9	260.3	32,900 *	47.7	269.9	37,900 *	52.9	276.0	42,400							160
170	22.8	214.8	23,800 *	32.0	238.0	27,200 *	36.5	247.9	29,400 *	42.9	259.9	33,700 *	48.5	267.7	38,700 *							170
180	10.9	180.9	19,900 *	24.8	219.2	24,500 *	30.3	232.4	26,400 *	37.6	247.9	30,100 *	43.8	257.9	34,400 *	49.1	264.1	33,700				180
190				14.6	190.6	22,100 *	22.6	211.9	23,800 *	31.6	233.2	27,100 *	38.6	246.4	30,700 *	44.5	254.6	31,200				190
200							10.3	177.0	21,400 *	24.4	214.0	24,400 *	32.8	232.2	27,600 *	39.4	243.3	28,900	45.0	249.7	25,800 *	200
210										13.8	184.4	22,000 *	25.8	214.1	24,800 *	33.7	229.6	26,900	39.9	238.6	23,700 *	210
220													16.2	187.5	22,400 *	26.9	212.2	25,000	34.3	225.2	21,900 *	220
230																17.9	187.4	22,800 *	27.6	208.2	20,100 *	230
240																			18.9	184.5	18,500 *	240



# Liftcrane Luffing Jib Capacities

Luffing Jib No. 133 or No. 133A On  
 Boom No. 44 With Heavy Lift Top  
 248,700 Lb. Crane Counterweight  
 120,000 Lb. Carbody Counterweight  
 360 Degree Rating

Designed And Tested  
 With The Intent To Be In  
 The Scope of ANSI B30.5

## M-250 SERIES 3

### 140 Ft. Boom, 180 Ft. Jib

Jib Oper. Rad. Feet	88 Degree Boom Angle			83 Degree Boom Angle			80 Degree Boom Angle			75 Degree Boom Angle			70 Degree Boom Angle			65 Degree Boom Angle			60 Degree Boom Angle			Jib Oper. Rad. Feet
	Jib Ang. Deg.	Jib Point Elev. Feet	Luffing Jib Capacity Pounds	Jib Ang. Deg.	Jib Point Elev. Feet	Luffing Jib Capacity Pounds	Jib Ang. Deg.	Jib Point Elev. Feet	Luffing Jib Capacity Pounds	Jib Ang. Deg.	Jib Point Elev. Feet	Luffing Jib Capacity Pounds	Jib Ang. Deg.	Jib Point Elev. Feet	Luffing Jib Capacity Pounds	Jib Ang. Deg.	Jib Point Elev. Feet	Luffing Jib Capacity Pounds	Jib Ang. Deg.	Jib Point Elev. Feet	Luffing Jib Capacity Pounds	
60	75.2	323.8	74,000 *																			60
65	73.6	322.4	72,400 *																			65
70	71.9	320.8	70,700 *																			70
75	70.2	319.0	68,800 *																			75
80	68.5	317.1	66,800 *																			80
85	66.8	315.0	64,600 *	71.0	318.8	70,100 *																85
90	65.0	312.7	62,200 *	69.3	317.0	68,500 *																90
95	63.2	310.3	58,700 *	67.6	314.9	66,200 *																95
100	61.4	307.6	54,400 *	65.8	312.7	63,900 *																100
105	59.6	304.7	50,600 *	64.1	310.4	61,000 *	66.7	312.6	68,000 *													105
110	57.7	301.6	47,200 *	62.3	307.8	56,400 *	64.9	310.3	63,400 *													110
115	55.8	298.3	44,100 *	60.5	305.0	52,400 *	63.1	307.9	58,600 *													115
120	53.9	294.7	41,300 *	58.6	302.0	48,800 *	61.3	305.2	54,300 *													120
130	49.8	286.7	36,400 *	54.8	295.4	42,600 *	57.6	299.2	47,100 *	62.1	303.5	56,000 *										130
140	45.4	277.5	32,400 *	50.8	287.6	37,500 *	53.7	292.3	41,200 *	58.4	297.7	48,500 *										140
150	40.8	266.6	28,900 *	46.5	278.7	33,300 *	49.7	284.2	36,400 *	54.6	291.0	42,400 *										150
160	35.5	253.7	25,900 *	41.9	268.3	29,700 *	45.3	274.9	32,300 *	50.5	283.2	37,400 *	55.3	288.4	41,800							160
170	29.6	237.8	23,300 *	36.8	255.9	26,600 *	40.6	264.0	28,900 *	46.3	274.2	33,200 *	51.3	280.9	38,200 *							170
180	22.1	216.8	21,000 *	31.1	240.8	23,900 *	35.4	251.1	25,900 *	41.6	263.7	29,600 *	47.0	272.1	33,900 *	51.9	277.1	33,100				180
190	10.5	181.8	17,500 *	24.1	221.3	21,600 *	29.4	235.0	23,300 *	36.5	251.2	26,500 *	42.5	261.9	30,200 *	47.7	268.6	30,600				190
200				14.2	191.8	19,500 *	21.9	213.8	21,000 *	30.7	235.9	23,800 *	37.5	249.8	27,100 *	43.2	258.6	28,400				200
210							10.0	177.9	18,900 *	23.7	216.1	21,500 *	31.8	235.1	24,300 *	38.2	246.8	26,400	43.6	253.7	23,000 *	210
220										13.4	185.5	19,400 *	25.1	216.3	21,900 *	32.7	232.5	24,500 *	38.7	242.1	21,100 *	220
230													15.7	188.8	19,800 *	26.1	214.5	22,300 *	33.3	228.2	19,400 *	230
240																17.4	188.9	20,100 *	26.8	210.6	17,800 *	240
250																			18.4	186.1	16,400 *	250



# Liftcrane Luffing Jib Capacities

# M-250 SERIES 3

Luffing Jib No. 133 or No. 133A On  
 Boom No. 44 With Heavy Lift Top  
 248,700 Lb. Crane Counterweight  
 120,000 Lb. Carbody Counterweight  
 360 Degree Rating

Designed And Tested  
 With The Intent To Be In  
 The Scope of ANSI B30.5

## 140 Ft. Boom, 190 Ft. Jib

Jib Oper. Rad. Feet	88 Degree Boom Angle			83 Degree Boom Angle			80 Degree Boom Angle			75 Degree Boom Angle			70 Degree Boom Angle			65 Degree Boom Angle			60 Degree Boom Angle			Jib Oper. Rad. Feet
	Jib Ang. Deg.	Jib Point Elev. Feet	Luffing Jib Capacity Pounds	Jib Ang. Deg.	Jib Point Elev. Feet	Luffing Jib Capacity Pounds	Jib Ang. Deg.	Jib Point Elev. Feet	Luffing Jib Capacity Pounds	Jib Ang. Deg.	Jib Point Elev. Feet	Luffing Jib Capacity Pounds	Jib Ang. Deg.	Jib Point Elev. Feet	Luffing Jib Capacity Pounds	Jib Ang. Deg.	Jib Point Elev. Feet	Luffing Jib Capacity Pounds	Jib Ang. Deg.	Jib Point Elev. Feet	Luffing Jib Capacity Pounds	
60	76.0	334.2	67,800 *																			60
65	74.4	332.8	66,600 *																			65
70	72.9	331.3	65,200 *																			70
75	71.3	329.7	63,600 *																			75
80	69.7	327.8	62,000 *																			80
85	68.1	325.9	60,300 *																			85
90	66.4	323.7	58,100 *	70.4	327.6	63,700 *																90
95	64.8	321.4	55,800 *	68.8	325.7	61,700 *																95
100	63.1	318.9	53,500 *	67.2	323.7	59,500 *																100
105	61.4	316.3	50,100 *	65.5	321.4	57,400 *	68.0	323.5	63,300 *													105
110	59.6	313.4	46,700 *	63.9	319.0	55,100 *	66.3	321.3	60,900 *													110
115	57.8	310.3	43,600 *	62.2	316.5	51,900 *	64.7	319.0	58,100 *													115
120	56.0	307.0	40,800 *	60.4	313.7	48,300 *	63.0	316.5	53,800 *													120
130	52.3	299.7	35,900 *	56.9	307.5	42,100 *	59.5	311.0	46,600 *													130
140	48.4	291.3	31,900 *	53.2	300.4	37,000 *	55.9	304.5	40,700 *	60.3	309.4	48,000 *										140
150	44.2	281.6	28,400 *	49.3	292.3	32,800 *	52.2	297.2	35,900 *	56.7	303.2	41,900 *										150
160	39.6	270.3	25,400 *	45.2	282.9	29,200 *	48.2	288.7	31,800 *	53.0	296.0	36,900 *	57.3	300.5	41,300							160
170	34.6	256.8	22,800 *	40.7	272.0	26,100 *	44.0	279.0	28,400 *	49.1	287.8	32,700 *	53.7	293.5	37,700 *							170
180	28.7	240.4	20,500 *	35.8	259.1	23,400 *	39.5	267.7	25,400 *	44.9	278.4	29,100 *	49.8	285.5	33,400 *							180
190	21.5	218.7	18,500 *	30.2	243.5	21,100 *	34.4	254.2	22,800 *	40.5	267.4	26,000 *	45.7	276.3	29,700 *	50.4	281.9	30,100				190
200	10.2	182.6	15,300 *	23.4	223.4	19,000 *	28.6	237.6	20,500 *	35.5	254.4	23,300 *	41.3	265.6	26,600 *	46.3	272.9	27,900				200
210				13.8	193.0	17,100 *	21.3	215.7	18,500 *	29.9	238.6	21,000 *	36.5	253.1	23,800 *	41.9	262.4	25,900 *	46.7	267.9	22,300 *	210
220							9.7	178.7	16,600 *	23.0	218.1	18,900 *	31.0	237.9	21,400 *	37.2	250.1	23,900 *	42.4	257.6	20,400 *	220
230										13.0	186.7	17,000 *	24.4	218.5	19,300 *	31.8	235.4	21,800 *	37.7	245.6	18,800 *	230
240													15.3	190.2	17,400 *	25.4	216.7	19,600 *	32.3	231.1	17,200 *	240
250																16.9	190.3	17,700 *	26.1	212.9	15,800 *	250
260																			17.9	187.6	14,400 *	260



# Liftcrane Luffing Jib Capacities

Luffing Jib No. 133 or No. 133A On  
 Boom No. 44 With Heavy Lift Top  
 248,700 Lb. Crane Counterweight  
 120,000 Lb. Carbody Counterweight  
 360 Degree Rating

Designed And Tested  
 With The Intent To Be In  
 The Scope of ANSI B30.5

## M-250 SERIES 3

### 140 Ft. Boom, 200 Ft. Jib

Jib Oper. Rad. Feet	88 Degree Boom Angle			83 Degree Boom Angle			80 Degree Boom Angle			75 Degree Boom Angle			70 Degree Boom Angle			65 Degree Boom Angle			60 Degree Boom Angle			Jib Oper. Rad. Feet
	Jib Ang. Deg.	Jib Point Elev. Feet	Luffing Jib Capacity Pounds	Jib Ang. Deg.	Jib Point Elev. Feet	Luffing Jib Capacity Pounds	Jib Ang. Deg.	Jib Point Elev. Feet	Luffing Jib Capacity Pounds	Jib Ang. Deg.	Jib Point Elev. Feet	Luffing Jib Capacity Pounds	Jib Ang. Deg.	Jib Point Elev. Feet	Luffing Jib Capacity Pounds	Jib Ang. Deg.	Jib Point Elev. Feet	Luffing Jib Capacity Pounds	Jib Ang. Deg.	Jib Point Elev. Feet	Luffing Jib Capacity Pounds	
65	75.2	343.2	61,100 *																			65
70	73.8	341.8	59,900 *																			70
75	72.3	340.2	58,700 *																			75
80	70.7	338.5	57,300 *																			80
85	69.2	336.6	55,900 *																			85
90	67.7	334.6	53,800 *																			90
95	66.1	332.5	51,500 *	69.9	336.4	57,000 *																95
100	64.5	330.1	49,300 *	68.4	334.5	55,000 *																100
105	62.9	327.6	47,000 *	66.8	332.4	52,900 *																105
110	61.3	324.9	44,800 *	65.3	330.1	50,700 *	67.6	332.2	56,000 *													110
115	59.6	322.0	42,700 *	63.7	327.7	48,500 *	66.0	330.1	53,700 *													115
120	58.0	319.0	40,200 *	62.1	325.1	46,300 *	64.4	327.7	51,400 *													120
130	54.5	312.2	35,400 *	58.8	319.4	41,500 *	61.2	322.5	46,000 *													130
140	50.9	304.5	31,300 *	55.3	312.8	36,500 *	57.9	316.5	40,200 *	61.9	320.9	46,800 *										140
150	47.1	295.6	27,900 *	51.7	305.3	32,200 *	54.4	309.7	35,300 *	58.6	315.0	41,300 *										150
160	43.0	285.5	24,900 *	48.0	296.7	28,700 *	50.8	302.0	31,300 *	55.1	308.4	36,300 *										160
170	38.6	273.8	22,300 *	44.0	287.0	25,600 *	46.9	293.1	27,800 *	51.5	300.9	32,100 *	55.8	305.8	37,200 *							170
180	33.7	259.9	20,000 *	39.6	275.6	22,900 *	42.9	283.0	24,900 *	47.8	292.3	28,500 *	52.2	298.5	32,800 *							180
190	28.0	242.9	18,000 *	34.9	262.3	20,500 *	38.4	271.1	22,300 *	43.7	282.4	25,500 *	48.5	290.1	29,100 *	52.7	294.7	29,600				190
200	21.0	220.5	16,100 *	29.4	246.2	18,400 *	33.5	257.2	20,000 *	39.4	271.0	22,800 *	44.5	280.4	26,000 *	49.0	286.5	27,300				200
210	10.0	183.5	13,200 *	22.8	225.4	16,600 *	27.8	240.1	18,000 *	34.6	257.5	20,400 *	40.2	269.3	23,300 *	45.1	277.0	25,100 *				210
220				13.4	194.2	14,900 *	20.7	217.5	16,100 *	29.1	241.2	18,400 *	35.5	256.3	20,900 *	40.8	266.2	23,100 *	45.5	272.2	19,700 *	220
230							9.5	179.5	14,500 *	22.4	220.1	16,500 *	30.1	240.5	18,700 *	36.2	253.4	21,200 *	41.2	261.4	18,000 *	230
240										12.7	187.8	14,800 *	23.7	220.6	16,900 *	31.0	238.1	19,000 *	36.7	248.9	16,500 *	240
250													14.9	191.4	15,100 *	24.7	218.9	17,100 *	31.5	233.9	15,100 *	250
260																16.5	191.8	15,400 *	25.4	215.2	13,700 *	260
270																			17.4	189.2	12,500 *	270





# Liftcrane Luffing Jib Capacities

# M-250 SERIES 3

Luffing Jib No. 133 or No. 133A On  
 Boom No. 44 With Heavy Lift Top  
 248,700 Lb. Crane Counterweight  
 120,000 Lb. Carbody Counterweight  
 360 Degree Rating

Designed And Tested  
 With The Intent To Be In  
 The Scope of ANSI B30.5

## 150 Ft. Boom, 70 Ft. Jib

Jib Oper. Rad. Feet	88 Degree Boom Angle			83 Degree Boom Angle			80 Degree Boom Angle			75 Degree Boom Angle			70 Degree Boom Angle			65 Degree Boom Angle			60 Degree Boom Angle			Jib Oper. Rad. Feet
	Jib Ang. Deg.	Jib Point Elev. Feet	Luffing Jib Capacity Pounds	Jib Ang. Deg.	Jib Point Elev. Feet	Luffing Jib Capacity Pounds	Jib Ang. Deg.	Jib Point Elev. Feet	Luffing Jib Capacity Pounds	Jib Ang. Deg.	Jib Point Elev. Feet	Luffing Jib Capacity Pounds	Jib Ang. Deg.	Jib Point Elev. Feet	Luffing Jib Capacity Pounds	Jib Ang. Deg.	Jib Point Elev. Feet	Luffing Jib Capacity Pounds	Jib Ang. Deg.	Jib Point Elev. Feet	Luffing Jib Capacity Pounds	
45	64.0	222.5	137,700 *b																			45
50	59.3	219.6	129,700 *b																			50
55	54.3	216.2	122,400 *b	66.9	222.9	139,300 *b																55
60	49.0	212.1	110,300 *	62.4	220.4	131,600 *b																60
65	43.3	207.2	98,500 *	57.6	217.4	124,500 *b	65.0	220.6	137,200 *b													65
70	36.8	201.0	88,800 *	52.5	213.7	118,000 *b	60.4	217.9	129,500 *b													70
75	29.0	192.9	80,700 *	47.1	209.3	105,900 *	55.5	214.6	122,500 *b													75
80	18.3	180.9	73,900 *	41.1	204.0	94,900 *	50.3	210.7	114,400 *													80
85				34.2	197.2	85,800 *	44.6	205.9	101,900 *	58.4	213.6	106,200 b										85
90				25.7	188.2	78,200 *	38.3	200.1	91,600 *	53.4	210.1	99,000 b										90
95				12.5	172.8	71,700 *	30.9	192.5	83,100 *	48.0	205.9	92,600										95
100							21.2	181.8	75,900 *	42.1	200.7	86,900	56.0	208.0	82,700 b							100
105										35.4	194.2	81,900	50.9	204.1	77,900							105
110										27.3	185.7	77,200	45.3	199.4	73,500							110
115										15.5	172.2	73,000	39.1	193.7	69,600							115
120													31.8	186.4	66,000	47.8	196.4	62,700				120
130																35.2	184.7	56,700				130
140																15.0	162.3	51,500	37.6	180.9	48,900	140
150																20.0	161.9	44,700	20.0	161.9	44,700	150



# Liftcrane Luffing Jib Capacities

Luffing Jib No. 133 or No. 133A On  
 Boom No. 44 With Heavy Lift Top  
 248,700 Lb. Crane Counterweight  
 120,000 Lb. Carbody Counterweight  
 360 Degree Rating

Designed And Tested  
 With The Intent To Be In  
 The Scope of ANSI B30.5

## M-250 SERIES 3

### 150 Ft. Boom, 80 Ft. Jib

Jib Oper. Rad. Feet	88 Degree Boom Angle			83 Degree Boom Angle			80 Degree Boom Angle			75 Degree Boom Angle			70 Degree Boom Angle			65 Degree Boom Angle			60 Degree Boom Angle			Jib Oper. Rad. Feet
	Jib Ang. Deg.	Jib Point Elev. Feet	Luffing Jib Capacity Pounds	Jib Ang. Deg.	Jib Point Elev. Feet	Luffing Jib Capacity Pounds	Jib Ang. Deg.	Jib Point Elev. Feet	Luffing Jib Capacity Pounds	Jib Ang. Deg.	Jib Point Elev. Feet	Luffing Jib Capacity Pounds	Jib Ang. Deg.	Jib Point Elev. Feet	Luffing Jib Capacity Pounds	Jib Ang. Deg.	Jib Point Elev. Feet	Luffing Jib Capacity Pounds	Jib Ang. Deg.	Jib Point Elev. Feet	Luffing Jib Capacity Pounds	
45	67.5	233.5	132,200 *b																			45
50	63.5	231.1	124,700 *b																			50
55	59.4	228.3	118,000 *b	70.0	233.7	133,600 *b																55
60	55.1	225.0	111,600 *	66.1	231.6	126,600 *b																60
65	50.5	221.0	99,600 *	62.1	229.0	120,000 *b																65
70	45.6	216.4	89,700 *	57.9	226.0	114,000 *b	64.4	229.3	126,500 *b													70
75	40.3	210.9	81,500 *	53.5	222.5	107,100 *	60.3	226.6	119,800 *b													75
80	34.3	204.1	74,500 *	48.8	218.3	95,900 *	56.1	223.4	113,700 *													80
85	27.0	195.3	68,500 *	43.8	213.4	86,700 *	51.6	219.6	102,400 *	62.7	225.2	105,600 b										85
90	17.1	182.4	63,300 *	38.3	207.5	78,900 *	46.8	215.1	92,000 *	58.6	222.3	98,400 b										90
95				31.9	200.1	72,300 *	41.5	209.8	83,500 *	54.2	218.9	92,000										95
100				24.0	190.3	66,600 *	35.7	203.3	76,200 *	49.6	214.8	86,400										100
105				11.6	173.8	61,600 *	28.8	195.1	70,000 *	44.7	210.0	81,400	56.5	216.7	77,200							105
110							19.7	183.5	64,600 *	39.2	204.3	76,800	52.1	212.9	72,900							110
115										33.0	197.2	72,700	47.3	208.6	69,000							115
120										25.4	187.9	67,800 *	42.2	203.3	65,400							120
130													29.6	189.1	59,200							130
140															44.5	200.6	56,100					140
150															32.8	187.7	51,000	46.3	196.1	48,300		140
150															14.0	163.5	46,600	35.1	184.1	44,200		150
160																		18.6	163.5	40,500		160



# Liftcrane Luffing Jib Capacities

# M-250 SERIES 3

Luffing Jib No. 133 or No. 133A On  
 Boom No. 44 With Heavy Lift Top  
 248,700 Lb. Crane Counterweight  
 120,000 Lb. Carbody Counterweight  
 360 Degree Rating

Designed And Tested  
 With The Intent To Be In  
 The Scope of ANSI B30.5

## 150 Ft. Boom, 90 Ft. Jib

Jib Oper. Rad. Feet	88 Degree Boom Angle			83 Degree Boom Angle			80 Degree Boom Angle			75 Degree Boom Angle			70 Degree Boom Angle			65 Degree Boom Angle			60 Degree Boom Angle			Jib Oper. Rad. Feet
	Jib Ang. Deg.	Jib Point Elev. Feet	Luffing Jib Capacity Pounds	Jib Ang. Deg.	Jib Point Elev. Feet	Luffing Jib Capacity Pounds	Jib Ang. Deg.	Jib Point Elev. Feet	Luffing Jib Capacity Pounds	Jib Ang. Deg.	Jib Point Elev. Feet	Luffing Jib Capacity Pounds	Jib Ang. Deg.	Jib Point Elev. Feet	Luffing Jib Capacity Pounds	Jib Ang. Deg.	Jib Point Elev. Feet	Luffing Jib Capacity Pounds	Jib Ang. Deg.	Jib Point Elev. Feet	Luffing Jib Capacity Pounds	
45	70.1	244.3	127,900 *b																			45
50	66.7	242.2	121,000 *b																			50
55	63.1	239.8	114,600 *b																			55
60	59.5	237.0	108,800 *	68.9	242.5	122,800 *b																60
65	55.6	233.7	99,900 *	65.4	240.3	116,700 *b																65
70	51.7	229.9	90,000 *	61.8	237.7	111,000 *	67.4	240.3	123,500 *b													70
75	47.4	225.5	81,700 *	58.1	234.7	105,700 *	63.9	238.0	117,200 *b													75
80	42.9	220.4	74,700 *	54.3	231.3	96,200 *	60.3	235.2	111,400 *													80
85	37.9	214.3	68,700 *	50.2	227.3	86,900 *	56.5	232.0	102,700 *													85
90	32.2	207.0	63,400 *	45.8	222.6	79,100 *	52.6	228.4	92,300 *	62.4	233.9	97,900										90
95	25.4	197.6	58,800 *	41.1	217.2	72,500 *	48.4	224.1	83,700 *	58.7	231.0	91,600										95
100	16.0	183.7	54,700 *	35.9	210.7	66,800 *	43.9	219.2	76,400 *	54.9	227.6	86,000										100
105				30.0	202.8	61,800 *	39.0	213.4	70,200 *	50.9	223.7	80,900										105
110				22.5	192.3	57,400 *	33.5	206.3	64,700 *	46.6	219.2	76,400	56.9	225.3	72,400							110
115				10.9	174.7	53,400 *	27.0	197.5	60,000 *	41.9	213.9	72,300	53.0	221.7	68,500							115
120							18.5	185.1	55,800 *	36.8	207.6	67,900 *	48.9	217.6	65,000							120
130										23.9	190.0	58,300 *	39.6	207.0	58,800	50.7	214.3	55,600				130
140													27.9	191.5	53,500	41.8	204.5	50,600				140
150																30.8	190.4	46,300	43.5	200.2	43,700	150
160																13.1	164.6	42,500	33.0	187.1	40,200	160
170																			17.5	165.0	37,000	170



# Liftcrane Luffing Jib Capacities

Luffing Jib No. 133 or No. 133A On  
 Boom No. 44 With Heavy Lift Top  
 248,700 Lb. Crane Counterweight  
 120,000 Lb. Carbody Counterweight  
 360 Degree Rating

Designed And Tested  
 With The Intent To Be In  
 The Scope of ANSI B30.5

## M-250 SERIES 3

### 150 Ft. Boom, 100 Ft. Jib

Jib Oper. Rad. Feet	88 Degree Boom Angle			83 Degree Boom Angle			80 Degree Boom Angle			75 Degree Boom Angle			70 Degree Boom Angle			65 Degree Boom Angle			60 Degree Boom Angle			Jib Oper. Rad. Feet
	Jib Ang. Deg.	Jib Point Elev. Feet	Luffing Jib Capacity Pounds	Jib Ang. Deg.	Jib Point Elev. Feet	Luffing Jib Capacity Pounds	Jib Ang. Deg.	Jib Point Elev. Feet	Luffing Jib Capacity Pounds	Jib Ang. Deg.	Jib Point Elev. Feet	Luffing Jib Capacity Pounds	Jib Ang. Deg.	Jib Point Elev. Feet	Luffing Jib Capacity Pounds	Jib Ang. Deg.	Jib Point Elev. Feet	Luffing Jib Capacity Pounds	Jib Ang. Deg.	Jib Point Elev. Feet	Luffing Jib Capacity Pounds	
40	75.2	256.5	130,400 *b																			40
45	72.2	254.9	123,500 *b																			45
50	69.1	253.1	117,100 *b																			50
55	66.0	250.9	111,200 *																			55
60	62.8	248.5	105,700 *																			60
65	59.5	245.6	99,900 *	68.0	251.2	113,200 *b																65
70	56.1	242.4	89,900 *	64.9	249.0	107,900 *																70
75	52.5	238.7	81,600 *	61.7	246.4	102,900 *	66.7	249.0	114,300 *													75
80	48.8	234.5	74,600 *	58.3	243.4	96,200 *	63.5	246.6	108,800 *													80
85	44.8	229.7	68,500 *	54.9	240.0	86,900 *	60.2	243.9	102,700 *													85
90	40.5	224.1	63,300 *	51.2	236.1	79,000 *	56.9	240.7	92,300 *													90
95	35.8	217.6	58,700 *	47.4	231.7	72,400 *	53.3	237.2	83,600 *	62.2	242.6	91,000										95
100	30.5	209.7	54,600 *	43.3	226.6	66,600 *	49.6	233.1	76,300 *	58.9	239.7	85,400										100
105	24.0	199.7	51,000 *	38.9	220.8	61,600 *	45.7	228.4	70,000 *	55.4	236.3	80,400										105
110	15.2	185.0	47,700 *	34.0	213.8	57,200 *	41.5	223.0	64,600 *	51.8	232.5	75,800										110
115				28.3	205.3	53,300 *	36.9	216.7	59,800 *	48.1	228.2	71,800	57.3	234.0	67,900							115
120				21.3	194.1	49,800 *	31.7	209.2	55,700 *	44.0	223.3	67,700 *	53.7	230.5	64,400							120
130							17.5	186.6	48,600 *	34.8	210.8	58,100 *	46.2	221.9	58,200							130
140										22.6	192.0	50,500 *	37.4	210.4	53,000	47.9	218.8	50,000				140
150													26.4	193.9	48,400	39.5	208.1	45,700				150
160																29.2	193.0	42,000	41.1	203.9	39,500	160
170																12.4	165.6	38,600	31.2	189.9	36,400	170
180																			16.6	166.5	33,500 *	180



# Liftcrane Luffing Jib Capacities

# M-250 SERIES 3

Luffing Jib No. 133 or No. 133A On  
 Boom No. 44 With Heavy Lift Top  
 248,700 Lb. Crane Counterweight  
 120,000 Lb. Carbody Counterweight  
 360 Degree Rating

Designed And Tested  
 With The Intent To Be In  
 The Scope of ANSI B30.5

## 150 Ft. Boom, 110 Ft. Jib

Jib Oper. Rad. Feet	88 Degree Boom Angle			83 Degree Boom Angle			80 Degree Boom Angle			75 Degree Boom Angle			70 Degree Boom Angle			65 Degree Boom Angle			60 Degree Boom Angle			Jib Oper. Rad. Feet
	Jib Ang. Deg.	Jib Point Elev. Feet	Luffing Jib Capacity Pounds	Jib Ang. Deg.	Jib Point Elev. Feet	Luffing Jib Capacity Pounds	Jib Ang. Deg.	Jib Point Elev. Feet	Luffing Jib Capacity Pounds	Jib Ang. Deg.	Jib Point Elev. Feet	Luffing Jib Capacity Pounds	Jib Ang. Deg.	Jib Point Elev. Feet	Luffing Jib Capacity Pounds	Jib Ang. Deg.	Jib Point Elev. Feet	Luffing Jib Capacity Pounds	Jib Ang. Deg.	Jib Point Elev. Feet	Luffing Jib Capacity Pounds	
45	73.8	265.4	118,000 *b																			45
50	71.1	263.8	112,200 *b																			50
55	68.3	261.8	106,800 *																			55
60	65.5	259.6	101,700 *																			60
65	62.5	257.1	97,000 *	70.1	262.0	108,600 *b																65
70	59.6	254.3	92,700 *	67.3	259.9	103,800 *																70
75	56.5	251.1	84,100 *	64.4	257.6	99,200 *																75
80	53.2	247.5	76,700 *	61.5	255.0	95,000 *	66.1	257.8	106,400 *													80
85	49.9	243.4	70,500 *	58.5	252.0	89,500 *	63.2	255.3	101,600 *													85
90	46.4	238.8	65,000 *	55.3	248.7	81,400 *	60.2	252.5	95,100 *													90
95	42.6	233.6	60,300 *	52.1	244.9	74,500 *	57.2	249.4	86,100 *													95
100	38.5	227.6	56,100 *	48.7	240.7	68,500 *	54.0	245.9	78,500 *	62.0	251.2	84,800										100
105	34.1	220.7	52,400 *	45.1	235.9	63,300 *	50.6	241.9	72,000 *	59.0	248.3	79,800										105
110	29.0	212.3	49,000 *	41.2	230.4	58,800 *	47.2	237.5	66,300 *	55.9	245.0	75,300										110
115	22.9	201.7	46,000 *	37.0	224.1	54,800 *	43.4	232.4	61,400 *	52.6	241.3	71,300										115
120	14.4	186.3	42,100 *	32.3	216.7	51,200 *	39.5	226.6	57,100 *	49.2	237.2	67,600	57.5	242.7	63,800							120
130				20.3	195.9	45,000 *	30.2	211.9	49,900 *	41.8	227.1	59,600 *	51.0	235.3	57,700							130
140							16.7	188.0	44,000 *	33.1	213.8	51,900 *	43.9	225.9	52,500							140
150										21.5	193.9	45,600 *	35.6	213.6	48,000	52.5	231.9	49,400				150
160													25.1	196.1	44,100	37.6	211.5	41,500	46.8	218.5	39,000	160
170																27.8	195.5	38,200	39.1	207.5	35,800 *	170
180																11.8	166.6	35,300	29.7	192.5	32,900 *	180
190																			15.8	167.8	30,300 *	190



# Liftcrane Luffing Jib Capacities

Luffing Jib No. 133 or No. 133A On  
 Boom No. 44 With Heavy Lift Top  
 248,700 Lb. Crane Counterweight  
 120,000 Lb. Carbody Counterweight  
 360 Degree Rating

Designed And Tested  
 With The Intent To Be In  
 The Scope of ANSI B30.5

## M-250 SERIES 3

### 150 Ft. Boom, 120 Ft. Jib

Jib Oper. Rad. Feet	88 Degree Boom Angle			83 Degree Boom Angle			80 Degree Boom Angle			75 Degree Boom Angle			70 Degree Boom Angle			65 Degree Boom Angle			60 Degree Boom Angle			Jib Oper. Rad. Feet
	Jib Ang. Deg.	Jib Point Elev. Feet	Luffing Jib Capacity Pounds	Jib Ang. Deg.	Jib Point Elev. Feet	Luffing Jib Capacity Pounds	Jib Ang. Deg.	Jib Point Elev. Feet	Luffing Jib Capacity Pounds	Jib Ang. Deg.	Jib Point Elev. Feet	Luffing Jib Capacity Pounds	Jib Ang. Deg.	Jib Point Elev. Feet	Luffing Jib Capacity Pounds	Jib Ang. Deg.	Jib Point Elev. Feet	Luffing Jib Capacity Pounds	Jib Ang. Deg.	Jib Point Elev. Feet	Luffing Jib Capacity Pounds	
45	75.2	275.8	113,600 *b																			45
50	72.7	274.3	108,300 *b																			50
55	70.2	272.6	103,300 *																			55
60	67.6	270.6	98,600 *																			60
65	65.0	268.3	94,200 *																			65
70	62.3	265.8	90,100 *	69.3	270.8	100,500 *																70
75	59.6	263.0	83,700 *	66.7	268.7	96,300 *																75
80	56.8	259.8	76,400 *	64.1	266.3	92,300 *																80
85	53.8	256.2	70,100 *	61.4	263.7	88,600 *	65.6	266.5	99,100 *													85
90	50.8	252.3	64,700 *	58.6	260.7	81,000 *	62.9	264.0	94,700 *													90
95	47.6	247.9	59,900 *	55.7	257.4	74,100 *	60.2	261.2	85,700 *													95
100	44.3	242.9	55,700 *	52.8	253.7	68,100 *	57.4	258.1	78,100 *													100
105	40.7	237.3	52,000 *	49.7	249.6	62,900 *	54.5	254.6	71,600 *	61.8	259.9	79,200										105
110	36.8	231.0	48,600 *	46.4	245.0	58,400 *	51.5	250.8	66,000 *	59.1	257.0	74,800										110
115	32.5	223.6	45,600 *	43.0	239.9	54,400 *	48.3	246.5	61,000 *	56.2	253.7	70,700										115
120	27.7	214.7	42,900 *	39.3	234.0	50,800 *	45.0	241.7	56,700 *	53.3	250.1	67,000										120
130	13.8	187.4	37,000 *	30.9	219.5	44,600 *	37.7	230.1	49,400 *	47.0	241.6	59,200 *	54.8	248.0	57,100							130
140				19.4	197.6	39,600 *	28.8	214.4	43,600 *	40.0	230.8	51,400 *	48.7	239.9	51,900							140
150							15.9	189.4	38,700 *	31.7	216.6	45,200 *	41.9	229.8	47,500	50.1	236.7	44,600				150
160										20.6	195.7	40,100 *	34.0	216.7	43,600	43.5	227.1	40,900				160
170													24.0	198.2	40,200	35.9	214.8	37,700	44.7	222.7	35,000 *	170
180																26.5	197.9	34,800	37.3	210.9	32,100 *	180
190																11.2	167.6	32,200	28.4	195.0	29,600 *	190
200																			15.0	169.1	27,200 *	200



# Liftcrane Luffing Jib Capacities

# M-250 SERIES 3

Luffing Jib No. 133 or No. 133A On  
 Boom No. 44 With Heavy Lift Top  
 248,700 Lb. Crane Counterweight  
 120,000 Lb. Carbody Counterweight  
 360 Degree Rating

Designed And Tested  
 With The Intent To Be In  
 The Scope of ANSI B30.5

## 150 Ft. Boom, 130 Ft. Jib

Jib Oper. Rad. Feet	88 Degree Boom Angle			83 Degree Boom Angle			80 Degree Boom Angle			75 Degree Boom Angle			70 Degree Boom Angle			65 Degree Boom Angle			60 Degree Boom Angle			Jib Oper. Rad. Feet
	Jib Ang. Deg.	Jib Point Elev. Feet	Luffing Jib Capacity Pounds	Jib Ang. Deg.	Jib Point Elev. Feet	Luffing Jib Capacity Pounds	Jib Ang. Deg.	Jib Point Elev. Feet	Luffing Jib Capacity Pounds	Jib Ang. Deg.	Jib Point Elev. Feet	Luffing Jib Capacity Pounds	Jib Ang. Deg.	Jib Point Elev. Feet	Luffing Jib Capacity Pounds	Jib Ang. Deg.	Jib Point Elev. Feet	Luffing Jib Capacity Pounds	Jib Ang. Deg.	Jib Point Elev. Feet	Luffing Jib Capacity Pounds	
50	74.1	284.8	104,400 *																			50
55	71.8	283.2	100,000 *																			55
60	69.4	281.4	95,600 *																			60
65	67.1	279.3	91,500 *																			65
70	64.6	277.0	87,700 *	71.0	281.4	97,300 *																70
75	62.2	274.5	83,700 *	68.6	279.5	93,500 *																75
80	59.6	271.6	76,300 *	66.2	277.4	89,800 *																80
85	57.0	268.5	70,000 *	63.8	275.0	86,300 *	67.6	277.4	95,300 *													85
90	54.3	265.0	64,500 *	61.3	272.3	81,000 *	65.2	275.2	91,500 *													90
95	51.5	261.1	59,800 *	58.7	269.4	74,000 *	62.7	272.6	85,600 *													95
100	48.7	256.9	55,600 *	56.1	266.1	68,000 *	60.2	269.9	78,000 *													100
105	45.6	252.1	51,800 *	53.4	262.5	62,800 *	57.6	266.8	71,500 *													105
110	42.4	246.8	48,500 *	50.5	258.5	58,300 *	54.9	263.4	65,800 *	61.7	268.5	74,500										110
115	39.0	240.9	45,500 *	47.6	254.1	54,200 *	52.2	259.6	60,900 *	59.1	265.6	70,400										115
120	35.3	234.2	42,700 *	44.5	249.2	50,600 *	49.3	255.4	56,600 *	56.5	262.4	66,800										120
130	26.6	217.1	38,000 *	37.7	237.5	44,500 *	43.1	245.7	49,300 *	51.0	254.9	59,100 *	57.9	260.1	56,800							130
140	13.2	188.6	32,900 *	29.6	222.1	39,400 *	36.1	233.3	43,400 *	45.0	245.8	51,300 *	52.5	253.0	51,600							140
150				18.6	199.2	35,200 *	27.7	216.9	38,600 *	38.3	234.3	45,100 *	46.7	244.3	47,200							150
160							15.3	190.7	34,400 *	30.4	219.3	39,900 *	40.2	233.5	43,400	48.0	241.2	40,700				160
170										19.7	197.4	35,600 *	32.6	219.6	40,000	41.7	230.9	37,500				170
180													23.0	200.2	36,700 *	34.4	217.9	34,600	42.8	226.6	31,900 *	180
190																25.4	200.1	32,100	35.8	214.1	29,400 *	190
200																10.8	168.5	29,800	27.2	197.5	27,100 *	200
210																			14.4	170.3	24,900 *	210



# Liftcrane Luffing Jib Capacities

Luffing Jib No. 133 or No. 133A On  
 Boom No. 44 With Heavy Lift Top  
 248,700 Lb. Crane Counterweight  
 120,000 Lb. Carbody Counterweight  
 360 Degree Rating

Designed And Tested  
 With The Intent To Be In  
 The Scope of ANSI B30.5

## M-250 SERIES 3

### 150 Ft. Boom, 140 Ft. Jib

Jib Oper. Rad. Feet	88 Degree Boom Angle			83 Degree Boom Angle			80 Degree Boom Angle			75 Degree Boom Angle			70 Degree Boom Angle			65 Degree Boom Angle			60 Degree Boom Angle			Jib Oper. Rad. Feet
	Jib Ang. Deg.	Jib Point Elev. Feet	Luffing Jib Capacity Pounds	Jib Ang. Deg.	Jib Point Elev. Feet	Luffing Jib Capacity Pounds	Jib Ang. Deg.	Jib Point Elev. Feet	Luffing Jib Capacity Pounds	Jib Ang. Deg.	Jib Point Elev. Feet	Luffing Jib Capacity Pounds	Jib Ang. Deg.	Jib Point Elev. Feet	Luffing Jib Capacity Pounds	Jib Ang. Deg.	Jib Point Elev. Feet	Luffing Jib Capacity Pounds	Jib Ang. Deg.	Jib Point Elev. Feet	Luffing Jib Capacity Pounds	
50	75.3	295.2	100,400 *																			50
55	73.1	293.7	96,300 *																			55
60	71.0	292.0	92,400 *																			60
65	68.8	290.2	88,500 *																			65
70	66.6	288.1	85,000 *																			70
75	64.3	285.7	81,600 *	70.2	290.2	90,300 *																75
80	62.0	283.1	75,900 *	68.0	288.3	86,900 *																80
85	59.6	280.3	69,600 *	65.8	286.1	83,700 *																85
90	57.2	277.1	64,100 *	63.5	283.7	80,500 *	67.1	286.1	89,000 *													90
95	54.8	273.7	59,300 *	61.2	281.0	73,600 *	64.8	283.8	85,200 *													95
100	52.2	269.9	55,100 *	58.8	278.0	67,600 *	62.5	281.3	77,600 *													100
105	49.5	265.8	51,400 *	56.4	274.8	62,400 *	60.2	278.5	71,000 *													105
110	46.8	261.2	48,000 *	53.9	271.2	57,800 *	57.8	275.5	65,400 *													110
115	43.9	256.2	45,000 *	51.3	267.3	53,800 *	55.3	272.1	60,500 *	61.6	277.2	69,900										115
120	40.8	250.6	42,300 *	48.6	263.1	50,200 *	52.8	268.4	56,100 *	59.2	274.3	66,200										120
130	34.0	237.2	37,500 *	42.8	253.1	44,000 *	47.4	259.9	48,800 *	54.3	267.6	58,600 *										130
140	25.6	219.4	33,500 *	36.3	240.8	39,000 *	41.5	249.5	42,900 *	49.0	259.5	50,800 *	55.6	265.4	51,000							140
150	12.7	189.7	29,100 *	28.5	224.7	34,700 *	34.8	236.5	38,100 *	43.3	249.8	44,600 *	50.4	257.7	46,600							150
160				17.9	200.8	31,100 *	26.6	219.3	34,000 *	36.8	237.6	39,400 *	44.8	248.4	42,800	51.6	254.4	40,000				160
170							14.7	192.0	30,500 *	29.2	222.0	35,200 *	38.6	237.0	39,500	46.1	245.5	36,900				170
180										19.0	199.0	31,500 *	31.4	222.4	36,200 *	40.1	234.6	34,100	47.1	240.9	31,100 *	180
190													22.1	202.2	32,400 *	33.1	220.9	31,600	41.2	230.4	28,600 *	190
200																24.5	202.3	29,300	34.4	217.3	26,300 *	200
210																10.4	169.3	27,200	26.2	199.8	24,300 *	210
220																			13.9	171.5	22,300 *	220





# Liftcrane Luffing Jib Capacities

# M-250 SERIES 3

Luffing Jib No. 133 or No. 133A On  
 Boom No. 44 With Heavy Lift Top  
 248,700 Lb. Crane Counterweight  
 120,000 Lb. Carbody Counterweight  
 360 Degree Rating

Designed And Tested  
 With The Intent To Be In  
 The Scope of ANSI B30.5

## 150 Ft. Boom, 150 Ft. Jib

Jib Oper. Rad. Feet	88 Degree Boom Angle			83 Degree Boom Angle			80 Degree Boom Angle			75 Degree Boom Angle			70 Degree Boom Angle			65 Degree Boom Angle			60 Degree Boom Angle			Jib Oper. Rad. Feet
	Jib Ang. Deg.	Jib Point Elev. Feet	Luffing Jib Capacity Pounds	Jib Ang. Deg.	Jib Point Elev. Feet	Luffing Jib Capacity Pounds	Jib Ang. Deg.	Jib Point Elev. Feet	Luffing Jib Capacity Pounds	Jib Ang. Deg.	Jib Point Elev. Feet	Luffing Jib Capacity Pounds	Jib Ang. Deg.	Jib Point Elev. Feet	Luffing Jib Capacity Pounds	Jib Ang. Deg.	Jib Point Elev. Feet	Luffing Jib Capacity Pounds	Jib Ang. Deg.	Jib Point Elev. Feet	Luffing Jib Capacity Pounds	
55	74.3	304.2	91,000 *																			55
60	72.3	302.6	88,400 *																			60
65	70.3	300.9	85,500 *																			65
70	68.2	298.9	82,300 *																			70
75	66.1	296.8	79,000 *																			75
80	64.0	294.4	75,500 *	69.5	299.1	84,200 *																80
85	61.9	291.8	70,200 *	67.5	297.0	81,200 *																85
90	59.7	288.9	64,700 *	65.4	294.8	78,400 *																90
95	57.4	285.8	59,900 *	63.3	292.3	74,300 *	66.6	294.9	83,400 *													95
100	55.1	282.4	55,600 *	61.1	289.7	68,200 *	64.5	292.5	78,300 *													100
105	52.7	278.7	51,800 *	58.9	286.7	62,900 *	62.4	290.0	71,700 *													105
110	50.3	274.7	48,400 *	56.6	283.5	58,300 *	60.2	287.2	66,000 *													110
115	47.7	270.2	45,300 *	54.3	280.0	54,200 *	57.9	284.1	61,000 *													115
120	45.1	265.4	42,600 *	51.9	276.2	50,600 *	55.6	280.8	56,600 *	61.5	285.9	65,700										120
130	39.3	254.2	37,700 *	46.8	267.4	44,300 *	50.8	273.2	49,200 *	57.0	279.8	59,100 *										130
140	32.8	240.2	33,700 *	41.3	256.9	39,200 *	45.7	264.1	43,200 *	52.3	272.6	51,200 *										140
150	24.7	221.5	30,200 *	35.0	243.9	35,000 *	40.0	253.1	38,300 *	47.2	264.0	44,900 *	53.5	270.5	46,100							150
160	12.3	190.7	25,000 *	27.5	227.1	31,300 *	33.5	239.5	34,200 *	41.7	253.6	39,700 *	48.6	262.3	42,300							160
170				17.3	202.3	28,200 *	25.7	221.5	30,700 *	35.5	240.9	35,300 *	43.2	252.4	39,000	49.7	259.0	36,400				170
180							14.2	193.2	27,600 *	28.2	224.5	31,700 *	37.3	240.4	36,000	44.5	249.6	33,600				180
190										18.3	200.6	28,500 *	30.3	225.2	32,600 *	38.7	238.1	31,100	45.4	245.1	27,900 *	190
200													21.4	204.0	29,300 *	32.0	223.7	28,900	39.7	234.0	25,600 *	200
210																23.6	204.3	26,800	33.2	220.2	23,600 *	210
220																10.0	170.2	24,900	25.2	202.0	21,700 *	220
230																			13.4	172.7	20,000 *	230



# Liftcrane Luffing Jib Capacities

Luffing Jib No. 133 or No. 133A On  
 Boom No. 44 With Heavy Lift Top  
 248,700 Lb. Crane Counterweight  
 120,000 Lb. Carbody Counterweight  
 360 Degree Rating

Designed And Tested  
 With The Intent To Be In  
 The Scope of ANSI B30.5

## M-250 SERIES 3

### 150 Ft. Boom, 160 Ft. Jib

Jib Oper. Rad. Feet	88 Degree Boom Angle			83 Degree Boom Angle			80 Degree Boom Angle			75 Degree Boom Angle			70 Degree Boom Angle			65 Degree Boom Angle			60 Degree Boom Angle			Jib Oper. Rad. Feet
	Jib Ang. Deg.	Jib Point Elev. Feet	Luffing Jib Capacity Pounds	Jib Ang. Deg.	Jib Point Elev. Feet	Luffing Jib Capacity Pounds	Jib Ang. Deg.	Jib Point Elev. Feet	Luffing Jib Capacity Pounds	Jib Ang. Deg.	Jib Point Elev. Feet	Luffing Jib Capacity Pounds	Jib Ang. Deg.	Jib Point Elev. Feet	Luffing Jib Capacity Pounds	Jib Ang. Deg.	Jib Point Elev. Feet	Luffing Jib Capacity Pounds	Jib Ang. Deg.	Jib Point Elev. Feet	Luffing Jib Capacity Pounds	
55	75.3	314.5	83,400 *																			55
60	73.4	313.1	81,400 *																			60
65	71.6	311.5	79,100 *																			65
70	69.6	309.7	76,600 *																			70
75	67.7	307.7	73,900 *																			75
80	65.8	305.5	71,000 *	70.9	309.7	80,000 *																80
85	63.8	303.1	68,100 *	69.0	307.8	77,400 *																85
90	61.8	300.5	64,800 *	67.0	305.8	74,800 *																90
95	59.7	297.6	59,900 *	65.1	303.5	72,300 *																95
100	57.6	294.5	55,500 *	63.1	301.0	68,400 *	66.2	303.6	78,100 *													100
105	55.4	291.1	51,700 *	61.0	298.3	63,000 *	64.2	301.2	71,900 *													105
110	53.2	287.5	48,200 *	59.0	295.4	58,300 *	62.2	298.6	66,100 *													110
115	50.9	283.5	45,100 *	56.8	292.2	54,100 *	60.2	295.8	61,000 *													115
120	48.6	279.2	42,300 *	54.7	288.7	50,400 *	58.1	292.8	56,500 *													120
130	43.5	269.4	37,400 *	50.1	280.9	44,100 *	53.7	285.9	49,000 *	59.3	291.6	58,700										130
140	38.0	257.6	33,400 *	45.2	271.6	38,900 *	49.1	277.8	43,000 *	55.0	285.1	51,100 *										140
150	31.7	243.0	29,900 *	39.9	260.5	34,600 *	44.1	268.2	38,000 *	50.5	277.3	44,700 *	56.2	282.8	45,500							150
160	23.9	223.6	26,900 *	33.8	247.0	31,000 *	38.7	256.6	33,800 *	45.6	268.2	39,400 *	51.7	275.4	41,800							160
170	11.9	191.7	22,100 *	26.6	229.5	27,800 *	32.4	242.4	30,300 *	40.3	257.3	35,000 *	46.9	266.6	38,400	52.7	271.9	35,800				170
180				16.7	203.7	25,100 *	24.8	223.7	27,200 *	34.4	244.0	31,300 *	41.8	256.3	35,500	48.0	263.5	33,000				180
190							13.7	194.4	24,600 *	27.3	226.9	28,100 *	36.0	243.7	32,200 *	43.0	253.5	30,500				190
200										17.7	202.2	25,300 *	29.3	227.8	28,900 *	37.4	241.5	28,300	43.9	249.2	24,800 *	200
210													20.7	205.8	26,000 *	30.9	226.5	26,300	38.4	237.5	22,800 *	210
220																22.8	206.4	24,500 *	32.1	223.1	21,000 *	220
230																9.7	171.0	22,600 *	24.4	204.2	19,300 *	230
240																			12.9	173.8	17,700 *	240



# Liftcrane Luffing Jib Capacities

# M-250 SERIES 3

Luffing Jib No. 133 or No. 133A On  
 Boom No. 44 With Heavy Lift Top  
 248,700 Lb. Crane Counterweight  
 120,000 Lb. Carbody Counterweight  
 360 Degree Rating

Designed And Tested  
 With The Intent To Be In  
 The Scope of ANSI B30.5

## 150 Ft. Boom, 170 Ft. Jib

Jib Oper. Rad. Feet	88 Degree Boom Angle			83 Degree Boom Angle			80 Degree Boom Angle			75 Degree Boom Angle			70 Degree Boom Angle			65 Degree Boom Angle			60 Degree Boom Angle			Jib Oper. Rad. Feet
	Jib Ang. Deg.	Jib Point Elev. Feet	Luffing Jib Capacity Pounds	Jib Ang. Deg.	Jib Point Elev. Feet	Luffing Jib Capacity Pounds	Jib Ang. Deg.	Jib Point Elev. Feet	Luffing Jib Capacity Pounds	Jib Ang. Deg.	Jib Point Elev. Feet	Luffing Jib Capacity Pounds	Jib Ang. Deg.	Jib Point Elev. Feet	Luffing Jib Capacity Pounds	Jib Ang. Deg.	Jib Point Elev. Feet	Luffing Jib Capacity Pounds	Jib Ang. Deg.	Jib Point Elev. Feet	Luffing Jib Capacity Pounds	
60	74.4	323.5	75,100 *																			60
65	72.7	322.0	73,200 *																			65
70	70.9	320.3	71,200 *																			70
75	69.1	318.5	69,000 *																			75
80	67.3	316.4	66,700 *																			80
85	65.4	314.2	64,300 *	70.3	318.5	73,900 *																85
90	63.6	311.8	61,700 *	68.5	316.6	72,300 *																90
95	61.7	309.1	59,100 *	66.6	314.5	70,100 *																95
100	59.7	306.3	55,200 *	64.8	312.2	67,900 *	67.7	314.5	74,400 *													100
105	57.7	303.2	51,400 *	62.9	309.7	62,700 *	65.8	312.3	71,700 *													105
110	55.7	299.8	47,900 *	61.0	307.0	58,000 *	64.0	309.9	65,800 *													110
115	53.6	296.2	44,800 *	59.0	304.0	53,800 *	62.1	307.3	60,700 *													115
120	51.5	292.3	42,000 *	57.0	300.9	50,100 *	60.1	304.5	56,200 *													120
130	47.0	283.6	37,100 *	52.9	293.7	43,800 *	56.2	298.2	48,700 *	61.3	303.2	58,400										130
140	42.2	273.3	33,000 *	48.5	285.4	38,600 *	52.0	290.8	42,700 *	57.3	297.2	50,800 *										140
150	36.8	261.0	29,600 *	43.8	275.7	34,300 *	47.5	282.2	37,700 *	53.2	290.1	44,400 *										150
160	30.7	245.8	26,600 *	38.6	264.1	30,600 *	42.7	272.1	33,500 *	48.9	281.9	39,100 *	54.3	288.0	41,500							160
170	23.1	225.7	23,900 *	32.8	249.9	27,500 *	37.4	260.1	30,000 *	44.2	272.3	34,700 *	50.0	280.1	38,100							170
180	11.5	192.7	19,600 *	25.8	231.8	24,800 *	31.4	245.2	26,900 *	39.1	260.9	31,000 *	45.5	270.9	35,200	51.0	276.8	32,700				180
190				16.2	205.1	22,300 *	24.1	225.9	24,300 *	33.3	247.0	27,800 *	40.5	260.0	31,900 *	46.5	267.9	30,200				190
200							13.3	195.5	21,900 *	26.4	229.2	25,000 *	34.9	246.8	28,600 *	41.6	257.4	28,000	47.3	263.3	24,500 *	200
210										17.2	203.7	22,600 *	28.4	230.3	25,700 *	36.2	244.8	26,000	42.5	253.1	22,500 *	210
220													20.0	207.6	23,200 *	29.9	229.2	24,200	37.2	240.9	20,700 *	220
230																22.1	208.3	22,400 *	31.1	225.9	19,100 *	230
240																9.4	171.8	20,700 *	23.7	206.2	17,500 *	240
250																			12.5	174.9	16,000 *	250



# Liftcrane Luffing Jib Capacities

Luffing Jib No. 133 or No. 133A On  
 Boom No. 44 With Heavy Lift Top  
 248,700 Lb. Crane Counterweight  
 120,000 Lb. Carbody Counterweight  
 360 Degree Rating

Designed And Tested  
 With The Intent To Be In  
 The Scope of ANSI B30.5

## M-250 SERIES 3

### 150 Ft. Boom, 180 Ft. Jib

Jib Oper. Rad. Feet	88 Degree Boom Angle			83 Degree Boom Angle			80 Degree Boom Angle			75 Degree Boom Angle			70 Degree Boom Angle			65 Degree Boom Angle			60 Degree Boom Angle			Jib Oper. Rad. Feet
	Jib Ang. Deg.	Jib Point Elev. Feet	Luffing Jib Capacity Pounds	Jib Ang. Deg.	Jib Point Elev. Feet	Luffing Jib Capacity Pounds	Jib Ang. Deg.	Jib Point Elev. Feet	Luffing Jib Capacity Pounds	Jib Ang. Deg.	Jib Point Elev. Feet	Luffing Jib Capacity Pounds	Jib Ang. Deg.	Jib Point Elev. Feet	Luffing Jib Capacity Pounds	Jib Ang. Deg.	Jib Point Elev. Feet	Luffing Jib Capacity Pounds	Jib Ang. Deg.	Jib Point Elev. Feet	Luffing Jib Capacity Pounds	
60	75.3	333.9	69,000 *																			60
65	73.7	332.5	67,500 *																			65
70	72.0	330.9	65,900 *																			70
75	70.3	329.2	64,200 *																			75
80	68.6	327.2	62,300 *																			80
85	66.9	325.2	60,300 *																			85
90	65.1	322.9	58,200 *	69.7	327.3	67,400 *																90
95	63.4	320.4	56,000 *	68.0	325.4	65,900 *																95
100	61.6	317.8	53,800 *	66.3	323.2	63,600 *																100
105	59.7	314.9	50,800 *	64.5	320.9	61,400 *	67.3	323.2	67,800 *													105
110	57.9	311.8	47,400 *	62.7	318.4	57,500 *	65.5	321.0	65,300 *													110
115	56.0	308.5	44,300 *	60.9	315.6	53,300 *	63.8	318.6	60,200 *													115
120	54.0	305.0	41,500 *	59.1	312.7	49,600 *	62.0	316.0	55,700 *													120
130	49.9	297.0	36,600 *	55.3	306.1	43,300 *	58.3	310.1	48,200 *	63.0	314.5	57,900										130
140	45.6	287.8	32,500 *	51.3	298.6	38,100 *	54.4	303.4	42,100 *	59.4	309.0	50,300 *										140
150	40.9	277.0	29,000 *	47.0	289.8	33,800 *	50.4	295.6	37,200 *	55.6	302.5	43,800 *										150
160	35.7	264.2	26,000 *	42.5	279.6	30,100 *	46.1	286.5	33,000 *	51.6	295.0	38,600 *	56.6	300.2	40,900							160
170	29.8	248.4	23,400 *	37.5	267.5	27,000 *	41.5	275.9	29,400 *	47.4	286.3	34,200 *	52.7	293.0	37,600							170
180	22.4	227.7	21,100 *	31.8	252.8	24,200 *	36.3	263.3	26,400 *	42.9	276.2	30,500 *	48.5	284.6	34,700							180
190	11.1	193.6	17,200 *	25.0	234.0	21,800 *	30.5	248.0	23,700 *	37.9	264.3	27,300 *	44.1	274.9	31,400 *	49.5	281.4	29,700				190
200				15.7	206.5	19,700 *	23.4	227.9	21,400 *	32.3	249.9	24,500 *	39.3	263.5	28,100 *	45.1	272.0	27,500				200
210							12.9	196.6	19,300 *	25.7	231.5	22,100 *	33.9	249.9	25,200 *	40.4	261.1	25,500	45.9	267.5	21,700 *	210
220										16.7	205.1	19,900 *	27.6	232.7	22,700 *	35.1	248.0	23,600 *	41.2	256.9	19,900 *	220
230													19.4	209.3	20,500 *	29.1	231.8	21,700 *	36.1	244.2	18,300 *	230
240																21.5	210.2	20,000 *	30.2	228.6	16,800 *	240
250																9.1	172.6	18,400 *	23.0	208.3	15,400 *	250
260																			12.2	175.9	14,000 *	260



# Liftcrane Luffing Jib Capacities

# M-250 SERIES 3

Luffing Jib No. 133 or No. 133A On  
 Boom No. 44 With Heavy Lift Top  
 248,700 Lb. Crane Counterweight  
 120,000 Lb. Carbody Counterweight  
 360 Degree Rating

Designed And Tested  
 With The Intent To Be In  
 The Scope of ANSI B30.5

## 150 Ft. Boom, 190 Ft. Jib

Jib Oper. Rad. Feet	88 Degree Boom Angle			83 Degree Boom Angle			80 Degree Boom Angle			75 Degree Boom Angle			70 Degree Boom Angle			65 Degree Boom Angle			60 Degree Boom Angle			Jib Oper. Rad. Feet
	Jib Ang. Deg.	Jib Point Elev. Feet	Luffing Jib Capacity Pounds	Jib Ang. Deg.	Jib Point Elev. Feet	Luffing Jib Capacity Pounds	Jib Ang. Deg.	Jib Point Elev. Feet	Luffing Jib Capacity Pounds	Jib Ang. Deg.	Jib Point Elev. Feet	Luffing Jib Capacity Pounds	Jib Ang. Deg.	Jib Point Elev. Feet	Luffing Jib Capacity Pounds	Jib Ang. Deg.	Jib Point Elev. Feet	Luffing Jib Capacity Pounds	Jib Ang. Deg.	Jib Point Elev. Feet	Luffing Jib Capacity Pounds	
65	74.6	342.9	62,300 *																			65
70	73.0	341.4	61,000 *																			70
75	71.4	339.8	59,500 *																			75
80	69.8	338.0	58,000 *																			80
85	68.2	336.0	56,400 *																			85
90	66.5	333.9	54,700 *	70.8	338.0	62,900 *																90
95	64.9	331.6	52,800 *	69.2	336.1	61,100 *																95
100	63.2	329.1	51,000 *	67.6	334.1	59,200 *																100
105	61.5	326.4	49,100 *	65.9	331.9	57,200 *																105
110	59.7	323.6	46,900 *	64.3	329.6	55,100 *	66.9	332.0	61,000 *													110
115	58.0	320.5	43,800 *	62.6	327.0	52,800 *	65.2	329.7	58,700 *													115
120	56.2	317.2	41,000 *	60.9	324.3	49,100 *	63.6	327.3	55,200 *													120
130	52.4	309.9	36,100 *	57.3	318.2	42,800 *	60.1	321.8	47,700 *													130
140	48.5	301.6	32,000 *	53.7	311.2	37,600 *	56.6	315.6	41,600 *	61.2	320.5	49,800 *										140
150	44.3	291.9	28,500 *	49.8	303.2	33,300 *	52.9	308.4	36,700 *	57.6	314.5	43,300 *										150
160	39.8	280.7	25,500 *	45.7	294.0	29,600 *	49.0	300.1	32,500 *	54.0	307.6	38,100 *										160
170	34.7	267.3	22,900 *	41.3	283.4	26,500 *	44.8	290.7	28,900 *	50.1	299.7	33,700 *	54.9	305.4	37,100							170
180	29.0	251.0	20,600 *	36.4	270.8	23,700 *	40.3	279.6	25,900 *	46.0	290.6	29,900 *	51.2	297.8	34,200							180
190	21.8	229.6	18,600 *	30.9	255.5	21,300 *	35.3	266.5	23,200 *	41.7	280.1	26,800 *	47.1	289.0	30,900 *	52.0	294.4	29,200				190
200	10.8	194.6	15,000 *	24.4	236.1	19,200 *	29.7	250.6	20,900 *	36.9	267.6	24,000 *	42.8	278.9	27,600 *	48.1	285.9	27,000				200
210				15.3	207.8	17,300 *	22.7	229.9	18,800 *	31.4	252.7	21,600 *	38.2	267.0	24,700 *	43.8	276.1	24,900 *				210
220							12.5	197.7	17,000 *	25.0	233.7	19,400 *	32.9	252.8	22,200 *	39.3	264.6	22,900 *	44.6	271.7	19,300 *	220
230										16.2	206.5	17,500 *	26.8	235.1	20,000 *	34.2	251.0	21,100 *	40.1	260.5	17,600 *	230
240													18.9	210.9	18,000 *	28.3	234.3	19,500 *	35.1	247.3	16,200 *	240
250																20.9	212.0	17,900 *	29.4	231.2	14,800 *	250
260																8.8	173.3	16,400 *	22.3	210.2	13,500 *	260
270																11.8	176.9	12,200 *	11.8	176.9	12,200 *	270



# Liftcrane Luffing Jib Capacities

Luffing Jib No. 133 or No. 133A On  
 Boom No. 44 With Heavy Lift Top  
 248,700 Lb. Crane Counterweight  
 120,000 Lb. Carbody Counterweight  
 360 Degree Rating

Designed And Tested  
 With The Intent To Be In  
 The Scope of ANSI B30.5

## M-250 SERIES 3

### 150 Ft. Boom, 200 Ft. Jib

Jib Oper. Rad. Feet	88 Degree Boom Angle			83 Degree Boom Angle			80 Degree Boom Angle			75 Degree Boom Angle			70 Degree Boom Angle			65 Degree Boom Angle			60 Degree Boom Angle			Jib Oper. Rad. Feet
	Jib Ang. Deg.	Jib Point Elev. Feet	Luffing Jib Capacity Pounds	Jib Ang. Deg.	Jib Point Elev. Feet	Luffing Jib Capacity Pounds	Jib Ang. Deg.	Jib Point Elev. Feet	Luffing Jib Capacity Pounds	Jib Ang. Deg.	Jib Point Elev. Feet	Luffing Jib Capacity Pounds	Jib Ang. Deg.	Jib Point Elev. Feet	Luffing Jib Capacity Pounds	Jib Ang. Deg.	Jib Point Elev. Feet	Luffing Jib Capacity Pounds	Jib Ang. Deg.	Jib Point Elev. Feet	Luffing Jib Capacity Pounds	
65	75.3	353.3	57,000 *																			65
70	73.9	351.9	56,000 *																			70
75	72.4	350.3	54,800 *																			75
80	70.8	348.6	53,600 *																			80
85	69.3	346.8	52,300 *																			85
90	67.8	344.8	50,900 *																			90
95	66.2	342.6	49,400 *	70.3	346.8	55,100 *																95
100	64.6	340.3	47,600 *	68.8	344.9	53,200 *																100
105	63.0	337.8	45,400 *	67.2	342.9	51,300 *																105
110	61.4	335.1	43,300 *	65.7	340.6	49,300 *																110
115	59.8	332.2	41,300 *	64.1	338.3	47,200 *	66.6	340.7	53,900 *													115
120	58.1	329.2	39,400 *	62.5	335.7	45,100 *	65.0	338.4	51,700 *													120
130	54.6	322.4	35,600 *	59.2	330.0	41,100 *	61.8	333.3	47,200 *													130
140	51.0	314.7	31,800 *	55.8	323.6	37,300 *	58.5	327.5	41,700 *	62.7	331.9	47,500 *										140
150	47.2	306.0	28,300 *	52.2	316.2	33,100 *	55.0	320.8	36,600 *	59.4	326.3	43,400 *										150
160	43.1	295.9	25,200 *	48.4	307.8	29,400 *	51.4	313.2	32,300 *	56.0	319.9	38,000 *										160
170	38.7	284.2	22,600 *	44.5	298.1	26,200 *	47.6	304.6	28,700 *	52.5	312.6	33,500 *	56.9	317.5	36,500							170
180	33.8	270.4	20,200 *	40.2	287.0	23,400 *	43.6	294.7	25,600 *	48.8	304.3	29,700 *	53.4	310.5	33,600							180
190	28.2	253.5	18,200 *	35.5	274.0	21,000 *	39.2	283.2	22,900 *	44.8	294.7	26,500 *	49.8	302.5	30,700 *							190
200	21.3	231.4	16,300 *	30.1	258.2	18,800 *	34.4	269.6	20,500 *	40.6	283.8	23,700 *	45.9	293.3	27,300 *	50.6	299.1	26,300 *				200
210	10.6	195.5	13,000 *	23.7	238.2	16,900 *	28.9	253.2	18,400 *	35.9	270.9	21,200 *	41.7	282.7	24,400 *	46.8	290.2	24,100 *				210
220				14.9	209.1	15,200 *	22.1	231.9	16,600 *	30.6	255.4	19,000 *	37.2	270.4	21,800 *	42.7	280.0	22,200 *	47.4	285.6	18,500 *	220
230							12.2	198.7	14,900 *	24.3	235.9	17,100 *	32.1	255.7	19,600 *	38.2	268.1	20,400 *	43.4	275.6	16,800 *	230
240										15.8	207.9	15,400 *	26.1	237.4	17,600 *	33.3	254.0	18,800 *	39.0	264.1	15,400 *	240
250													18.4	212.5	15,800 *	27.5	236.7	17,200 *	34.2	250.4	14,000 *	250
260																20.4	213.8	15,800 *	28.6	233.8	12,700 *	260
270																8.6	174.0	14,400 *	21.8	212.2	11,600 *	270
280																			11.5	177.9	10,400 *	280



# Liftcrane Luffing Jib Capacities

# M-250 SERIES 3

Luffing Jib No. 133 or No. 133A On  
 Boom No. 44 With Heavy Lift Top  
 248,700 Lb. Crane Counterweight  
 120,000 Lb. Carbody Counterweight  
 360 Degree Rating

Designed And Tested  
 With The Intent To Be In  
 The Scope of ANSI B30.5

## 160 Ft. Boom, 70 Ft. Jib

Jib Oper. Rad. Feet	88 Degree Boom Angle			83 Degree Boom Angle			80 Degree Boom Angle			75 Degree Boom Angle			70 Degree Boom Angle			65 Degree Boom Angle			60 Degree Boom Angle			Jib Oper. Rad. Feet
	Jib Ang. Deg.	Jib Point Elev. Feet	Luffing Jib Capacity Pounds	Jib Ang. Deg.	Jib Point Elev. Feet	Luffing Jib Capacity Pounds	Jib Ang. Deg.	Jib Point Elev. Feet	Luffing Jib Capacity Pounds	Jib Ang. Deg.	Jib Point Elev. Feet	Luffing Jib Capacity Pounds	Jib Ang. Deg.	Jib Point Elev. Feet	Luffing Jib Capacity Pounds	Jib Ang. Deg.	Jib Point Elev. Feet	Luffing Jib Capacity Pounds	Jib Ang. Deg.	Jib Point Elev. Feet	Luffing Jib Capacity Pounds	
45	64.3	232.6	135,600 *b																			45
50	59.6	229.9	128,000 *b																			50
55	54.7	226.5	121,100 *b																			55
60	49.4	222.4	111,900 *	63.5	230.9	131,000 *b																60
65	43.7	217.5	99,800 *	58.8	228.1	124,200 *b	66.6	231.3	138,800 *b													65
70	37.2	211.4	89,900 *	53.8	224.6	118,000 *b	62.0	228.8	131,300 *b													70
75	29.6	203.6	81,600 *	48.4	220.4	109,600 *	57.2	225.7	124,400 *b													75
80	19.3	192.0	74,600 *	42.6	215.3	97,900 *	52.1	222.0	115,600 *b													80
85				36.0	209.0	88,400 *	46.6	217.6	105,900 *	60.9	224.9	104,900 b										85
90				28.0	200.6	80,300 *	40.6	212.1	95,000 *	56.0	221.7	97,800 b										90
95				16.7	187.8	73,500 *	33.6	205.2	85,900 *	50.8	217.8	91,500										95
100							24.9	195.9	78,300 *	45.2	213.2	85,900										100
105							10.7	179.3	71,800 *	39.0	207.4	80,800	54.4	216.2	76,500 b							105
110										31.7	200.1	76,300	49.2	212.1	72,200							110
115										22.4	189.8	72,200	43.4	207.2	68,300							115
120													36.9	201.0	64,800	52.4	209.2	61,200				120
130													18.6	181.1	58,500	40.9	199.4	55,300				130
140																25.5	183.5	50,300				140
150																44.0	195.6	47,400	30.1	181.8	43,400	150



# Liftcrane Luffing Jib Capacities

Luffing Jib No. 133 or No. 133A On  
 Boom No. 44 With Heavy Lift Top  
 248,700 Lb. Crane Counterweight  
 120,000 Lb. Carbody Counterweight  
 360 Degree Rating

Designed And Tested  
 With The Intent To Be In  
 The Scope of ANSI B30.5

## M-250 SERIES 3

### 160 Ft. Boom, 80 Ft. Jib

Jib Oper. Rad. Feet	88 Degree Boom Angle			83 Degree Boom Angle			80 Degree Boom Angle			75 Degree Boom Angle			70 Degree Boom Angle			65 Degree Boom Angle			60 Degree Boom Angle			Jib Oper. Rad. Feet
	Jib Ang. Deg.	Jib Point Elev. Feet	Luffing Jib Capacity Pounds	Jib Ang. Deg.	Jib Point Elev. Feet	Luffing Jib Capacity Pounds	Jib Ang. Deg.	Jib Point Elev. Feet	Luffing Jib Capacity Pounds	Jib Ang. Deg.	Jib Point Elev. Feet	Luffing Jib Capacity Pounds	Jib Ang. Deg.	Jib Point Elev. Feet	Luffing Jib Capacity Pounds	Jib Ang. Deg.	Jib Point Elev. Feet	Luffing Jib Capacity Pounds	Jib Ang. Deg.	Jib Point Elev. Feet	Luffing Jib Capacity Pounds	
45	67.7	243.7	131,000 *b																			45
50	63.8	241.3	123,900 *b																			50
55	59.7	238.5	117,400 *b																			55
60	55.4	235.2	111,500 *	67.0	242.0	126,900 *b																60
65	50.9	231.3	100,300 *	63.1	239.6	120,600 *b																65
70	46.0	226.8	90,300 *	58.9	236.7	114,700 *b	65.8	240.0	127,900 *b													70
75	40.7	221.3	82,000 *	54.6	233.3	109,300 *	61.7	237.4	121,400 *b													75
80	34.7	214.6	74,900 *	50.0	229.3	98,400 *	57.6	234.4	114,800 *													80
85	27.6	206.0	68,900 *	45.1	224.6	88,800 *	53.1	230.8	106,500 *													85
90	17.9	193.5	63,600 *	39.7	219.0	80,700 *	48.5	226.6	95,400 *	60.7	233.5	97,100 b										90
95				33.5	212.0	73,800 *	43.4	221.6	86,300 *	56.5	230.4	90,900										95
100				26.1	202.9	67,900 *	37.8	215.6	78,600 *	52.0	226.7	85,300										100
105				15.6	189.1	62,800 *	31.3	208.0	72,100 *	47.3	222.3	80,300										105
110							23.3	198.0	66,400 *	42.1	217.1	75,800	55.2	224.9	71,500							110
115							10.0	180.2	61,400 *	36.3	210.7	71,700	50.6	221.0	67,700							115
120										29.6	202.7	68,000	45.7	216.4	64,200							120
130													34.4	204.1	58,100	48.7	213.8	54,700				130
140													17.3	182.6	52,800	38.1	202.9	49,700				140
150																23.8	185.6	45,500	41.0	199.4	42,700	150
160																28.0	184.3	39,200	28.0	184.3	39,200	160





# Liftcrane Luffing Jib Capacities

# M-250 SERIES 3

Luffing Jib No. 133 or No. 133A On  
 Boom No. 44 With Heavy Lift Top  
 248,700 Lb. Crane Counterweight  
 120,000 Lb. Carbody Counterweight  
 360 Degree Rating

Designed And Tested  
 With The Intent To Be In  
 The Scope of ANSI B30.5

## 160 Ft. Boom, 90 Ft. Jib

Jib Oper. Rad. Feet	88 Degree Boom Angle			83 Degree Boom Angle			80 Degree Boom Angle			75 Degree Boom Angle			70 Degree Boom Angle			65 Degree Boom Angle			60 Degree Boom Angle			Jib Oper. Rad. Feet
	Jib Ang. Deg.	Jib Point Elev. Feet	Luffing Jib Capacity Pounds	Jib Ang. Deg.	Jib Point Elev. Feet	Luffing Jib Capacity Pounds	Jib Ang. Deg.	Jib Point Elev. Feet	Luffing Jib Capacity Pounds	Jib Ang. Deg.	Jib Point Elev. Feet	Luffing Jib Capacity Pounds	Jib Ang. Deg.	Jib Point Elev. Feet	Luffing Jib Capacity Pounds	Jib Ang. Deg.	Jib Point Elev. Feet	Luffing Jib Capacity Pounds	Jib Ang. Deg.	Jib Point Elev. Feet	Luffing Jib Capacity Pounds	
45	70.3	254.4	126,600 *b																			45
50	66.9	252.4	120,000 *b																			50
55	63.4	250.0	114,000 *b																			55
60	59.7	247.2	108,400 *	69.7	252.9	122,800 *b																60
65	55.9	243.9	100,700 *	66.3	250.8	117,000 *b																65
70	51.9	240.2	90,600 *	62.7	248.3	111,500 *																70
75	47.7	235.8	82,200 *	59.0	245.4	106,400 *	65.1	248.7	118,500 *b													75
80	43.2	230.8	75,100 *	55.2	242.1	98,800 *	61.5	246.1	112,800 *													80
85	38.2	224.8	69,000 *	51.2	238.2	89,000 *	57.8	243.1	106,000 *													85
90	32.6	217.5	63,800 *	46.9	233.7	80,900 *	53.9	239.6	95,700 *													90
95	25.9	208.3	59,100 *	42.3	228.5	74,000 *	49.9	235.5	86,500 *	60.7	242.2	90,400										95
100	16.9	195.0	55,000 *	37.3	222.4	68,100 *	45.5	230.8	78,800 *	56.9	239.1	84,800										100
105				31.5	214.8	62,900 *	40.8	225.3	72,200 *	53.0	235.5	79,900										105
110				24.5	205.1	58,400 *	35.5	218.8	66,500 *	48.8	231.3	75,400										110
115				14.6	190.4	54,400 *	29.4	210.7	61,600 *	44.4	226.4	71,400	55.7	233.7	67,200							115
120							21.9	199.9	57,200 *	39.5	220.7	67,700	51.7	229.9	63,800							120
130										27.8	205.2	60,500 *	43.0	220.4	57,700							130
140													32.3	207.0	52,500	45.8	218.1	49,300				140
150													16.3	184.0	48,000	35.8	206.1	45,100	48.0	213.8	42,200	150
160																22.4	187.5	41,400	38.5	202.9	38,800	160
170																			26.4	186.6	35,800	170



# Liftcrane Luffing Jib Capacities

Luffing Jib No. 133 or No. 133A On  
 Boom No. 44 With Heavy Lift Top  
 248,700 Lb. Crane Counterweight  
 120,000 Lb. Carbody Counterweight  
 360 Degree Rating

Designed And Tested  
 With The Intent To Be In  
 The Scope of ANSI B30.5

## M-250 SERIES 3

### 160 Ft. Boom, 100 Ft. Jib

Jib Oper. Rad. Feet	88 Degree Boom Angle			83 Degree Boom Angle			80 Degree Boom Angle			75 Degree Boom Angle			70 Degree Boom Angle			65 Degree Boom Angle			60 Degree Boom Angle			Jib Oper. Rad. Feet
	Jib Ang. Deg.	Jib Point Elev. Feet	Luffing Jib Capacity Pounds	Jib Ang. Deg.	Jib Point Elev. Feet	Luffing Jib Capacity Pounds	Jib Ang. Deg.	Jib Point Elev. Feet	Luffing Jib Capacity Pounds	Jib Ang. Deg.	Jib Point Elev. Feet	Luffing Jib Capacity Pounds	Jib Ang. Deg.	Jib Point Elev. Feet	Luffing Jib Capacity Pounds	Jib Ang. Deg.	Jib Point Elev. Feet	Luffing Jib Capacity Pounds	Jib Ang. Deg.	Jib Point Elev. Feet	Luffing Jib Capacity Pounds	
45	72.4	265.0	122,100 *b																			45
50	69.3	263.2	116,000 *b																			50
55	66.2	261.1	110,300 *																			55
60	63.0	258.6	105,100 *																			60
65	59.7	255.8	100,100 *	68.8	261.6	113,200 *b																65
70	56.3	252.6	90,600 *	65.7	259.5	108,100 *																70
75	52.8	249.0	82,200 *	62.4	256.9	103,400 *	67.8	259.6	115,200 *b													75
80	49.1	244.8	75,000 *	59.1	254.1	98,800 *	64.6	257.4	109,800 *													80
85	45.1	240.0	68,900 *	55.7	250.8	89,000 *	61.4	254.7	104,300 *													85
90	40.8	234.5	63,600 *	52.1	247.0	80,800 *	58.1	251.7	95,700 *													90
95	36.2	228.1	59,000 *	48.4	242.8	73,900 *	54.6	248.3	86,400 *													95
100	30.9	220.3	54,900 *	44.4	237.9	68,000 *	50.9	244.4	78,700 *	60.6	250.9	84,200										100
105	24.5	210.5	51,200 *	40.0	232.2	62,800 *	47.1	239.9	72,100 *	57.2	247.8	79,300										105
110	16.0	196.3	47,900 *	35.3	225.6	58,200 *	43.0	234.8	66,400 *	53.7	244.2	74,800										110
115				29.8	217.5	54,200 *	38.5	228.9	61,400 *	50.0	240.2	70,800										115
120				23.2	207.1	50,600 *	33.6	221.8	57,100 *	46.1	235.6	67,100	56.2	242.4	63,100							120
130							20.7	201.7	49,700 *	37.4	224.1	60,400 *	48.9	234.5	57,000							130
140										26.3	207.5	52,300 *	40.6	224.1	51,900	51.2	231.6	48,600				140
150													30.6	209.8	47,500	43.3	222.1	44,500				150
160													15.4	185.3	43,500	33.9	209.2	40,800	45.3	218.1	38,100	160
170																21.2	189.4	37,600	36.4	206.2	35,000 *	170
180																			24.9	188.8	32,200 *	180



# Liftcrane Luffing Jib Capacities

# M-250 SERIES 3

Luffing Jib No. 133 or No. 133A On  
 Boom No. 44 With Heavy Lift Top  
 248,700 Lb. Crane Counterweight  
 120,000 Lb. Carbody Counterweight  
 360 Degree Rating

Designed And Tested  
 With The Intent To Be In  
 The Scope of ANSI B30.5

## 160 Ft. Boom, 110 Ft. Jib

Jib Oper. Rad. Feet	88 Degree Boom Angle			83 Degree Boom Angle			80 Degree Boom Angle			75 Degree Boom Angle			70 Degree Boom Angle			65 Degree Boom Angle			60 Degree Boom Angle			Jib Oper. Rad. Feet
	Jib Ang. Deg.	Jib Point Elev. Feet	Luffing Jib Capacity Pounds	Jib Ang. Deg.	Jib Point Elev. Feet	Luffing Jib Capacity Pounds	Jib Ang. Deg.	Jib Point Elev. Feet	Luffing Jib Capacity Pounds	Jib Ang. Deg.	Jib Point Elev. Feet	Luffing Jib Capacity Pounds	Jib Ang. Deg.	Jib Point Elev. Feet	Luffing Jib Capacity Pounds	Jib Ang. Deg.	Jib Point Elev. Feet	Luffing Jib Capacity Pounds	Jib Ang. Deg.	Jib Point Elev. Feet	Luffing Jib Capacity Pounds	
45	74.0	275.5	116,500 *b																			45
50	71.3	273.9	111,000 *b																			50
55	68.5	272.0	105,900 *																			55
60	65.7	269.8	101,000 *																			60
65	62.8	267.3	96,500 *	70.8	272.3	108,300 *b																65
70	59.8	264.5	92,400 *	68.0	270.4	103,800 *																70
75	56.7	261.3	84,600 *	65.1	268.2	99,500 *																75
80	53.5	257.7	77,200 *	62.2	265.6	95,400 *	67.1	268.4	106,700 *													80
85	50.1	253.7	70,900 *	59.2	262.7	91,400 *	64.2	266.0	101,700 *													85
90	46.6	249.2	65,400 *	56.1	259.5	83,200 *	61.3	263.4	96,900 *													90
95	42.9	244.0	60,600 *	52.9	255.8	76,100 *	58.2	260.4	89,000 *													95
100	38.8	238.1	56,400 *	49.5	251.7	69,900 *	55.1	257.0	81,000 *													100
105	34.4	231.2	52,600 *	46.0	247.1	64,500 *	51.8	253.2	74,100 *	60.5	259.5	78,700										105
110	29.4	222.9	49,200 *	42.2	241.8	59,800 *	48.4	248.9	68,200 *	57.5	256.4	74,300										110
115	23.3	212.5	46,200 *	38.1	235.7	55,700 *	44.8	244.1	63,100 *	54.3	253.0	70,300										115
120	15.2	197.6	42,700 *	33.5	228.6	52,000 *	40.9	238.6	58,600 *	51.0	249.1	66,600										120
130				22.1	209.1	45,700 *	32.0	224.7	51,000 *	43.9	239.7	60,200 *	53.3	247.5	56,500							130
140							19.7	203.4	44,900 *	35.6	227.3	53,700 *	46.4	238.8	51,400							140
150										25.0	209.7	47,100 *	38.6	227.7	47,000	48.6	236.1	43,900				150
160													29.1	212.4	43,200	41.1	225.8	40,300				160
170													14.6	186.6	39,700	32.2	212.1	37,200	43.1	222.0	34,300 *	170
180																20.1	191.1	34,300	34.7	209.3	31,500 *	180
190																			23.7	190.9	29,000 *	190



# Liftcrane Luffing Jib Capacities

Luffing Jib No. 133 or No. 133A On  
 Boom No. 44 With Heavy Lift Top  
 248,700 Lb. Crane Counterweight  
 120,000 Lb. Carbody Counterweight  
 360 Degree Rating

Designed And Tested  
 With The Intent To Be In  
 The Scope of ANSI B30.5

## M-250 SERIES 3

### 160 Ft. Boom, 120 Ft. Jib

Jib Oper. Rad. Feet	88 Degree Boom Angle			83 Degree Boom Angle			80 Degree Boom Angle			75 Degree Boom Angle			70 Degree Boom Angle			65 Degree Boom Angle			60 Degree Boom Angle			Jib Oper. Rad. Feet
	Jib Ang. Deg.	Jib Point Elev. Feet	Luffing Jib Capacity Pounds	Jib Ang. Deg.	Jib Point Elev. Feet	Luffing Jib Capacity Pounds	Jib Ang. Deg.	Jib Point Elev. Feet	Luffing Jib Capacity Pounds	Jib Ang. Deg.	Jib Point Elev. Feet	Luffing Jib Capacity Pounds	Jib Ang. Deg.	Jib Point Elev. Feet	Luffing Jib Capacity Pounds	Jib Ang. Deg.	Jib Point Elev. Feet	Luffing Jib Capacity Pounds	Jib Ang. Deg.	Jib Point Elev. Feet	Luffing Jib Capacity Pounds	
45	75.4	285.9	112,000 *b																			45
50	72.9	284.4	107,000 *b																			50
55	70.4	282.7	102,200 *																			55
60	67.8	280.7	97,700 *																			60
65	65.2	278.5	93,600 *																			65
70	62.5	276.0	89,700 *	69.9	281.1	100,200 *																70
75	59.8	273.2	84,300 *	67.4	279.1	96,300 *																75
80	57.0	270.0	76,900 *	64.7	276.8	92,600 *																80
85	54.0	266.5	70,500 *	62.0	274.3	88,900 *	66.5	277.1	98,500 *													85
90	51.0	262.6	65,000 *	59.3	271.4	82,900 *	63.9	274.7	94,500 *													90
95	47.8	258.2	60,200 *	56.4	268.2	75,700 *	61.2	272.1	88,700 *													95
100	44.5	253.3	56,000 *	53.5	264.6	69,500 *	58.4	269.1	80,600 *													100
105	40.9	247.8	52,200 *	50.5	260.6	64,100 *	55.5	265.7	73,700 *													105
110	37.1	241.4	48,800 *	47.3	256.1	59,400 *	52.5	262.0	67,800 *	60.5	268.2	73,700										110
115	32.9	234.1	45,800 *	43.9	251.1	55,300 *	49.4	257.9	62,700 *	57.7	265.1	69,700										115
120	28.1	225.4	43,000 *	40.3	245.5	51,600 *	46.2	253.3	58,200 *	54.8	261.7	66,100										120
130	14.5	198.9	37,600 *	32.0	231.5	45,300 *	39.0	242.1	50,600 *	48.7	253.6	59,700 *	56.8	259.7	55,900							130
140				21.1	210.9	40,100 *	30.5	227.4	44,500 *	41.9	243.5	53,300 *	50.9	252.3	50,800							140
150							18.8	205.0	39,500 *	34.0	230.4	46,700 *	44.3	242.9	46,400	52.7	249.2	43,300				150
160										23.9	211.9	41,300 *	36.9	231.0	42,600	46.4	240.5	39,700				160
170													27.8	214.8	39,300	39.3	229.4	36,600	48.0	236.2	33,500 *	170
180													14.0	187.8	36,300	30.8	214.9	33,800	41.1	225.8	30,800 *	180
190																19.2	192.8	31,300	33.1	212.3	28,300 *	190
200																			22.7	192.9	26,000 *	200



# Liftcrane Luffing Jib Capacities

# M-250 SERIES 3

Luffing Jib No. 133 or No. 133A On  
 Boom No. 44 With Heavy Lift Top  
 248,700 Lb. Crane Counterweight  
 120,000 Lb. Carbody Counterweight  
 360 Degree Rating

Designed And Tested  
 With The Intent To Be In  
 The Scope of ANSI B30.5

## 160 Ft. Boom, 130 Ft. Jib

Jib Oper. Rad. Feet	88 Degree Boom Angle			83 Degree Boom Angle			80 Degree Boom Angle			75 Degree Boom Angle			70 Degree Boom Angle			65 Degree Boom Angle			60 Degree Boom Angle			Jib Oper. Rad. Feet
	Jib Ang. Deg.	Jib Point Elev. Feet	Luffing Jib Capacity Pounds	Jib Ang. Deg.	Jib Point Elev. Feet	Luffing Jib Capacity Pounds	Jib Ang. Deg.	Jib Point Elev. Feet	Luffing Jib Capacity Pounds	Jib Ang. Deg.	Jib Point Elev. Feet	Luffing Jib Capacity Pounds	Jib Ang. Deg.	Jib Point Elev. Feet	Luffing Jib Capacity Pounds	Jib Ang. Deg.	Jib Point Elev. Feet	Luffing Jib Capacity Pounds	Jib Ang. Deg.	Jib Point Elev. Feet	Luffing Jib Capacity Pounds	
50	74.3	294.9	103,100 *																			50
55	72.0	293.3	98,800 *																			55
60	69.6	291.5	94,700 *																			60
65	67.2	289.5	90,800 *																			65
70	64.8	287.2	87,100 *																			70
75	62.3	284.6	83,600 *	69.2	289.9	93,200 *																75
80	59.8	281.8	76,800 *	66.8	287.9	89,800 *																80
85	57.2	278.7	70,400 *	64.4	285.5	86,500 *																85
90	54.5	275.2	64,900 *	61.9	282.9	82,800 *	66.0	285.8	92,100 *													90
95	51.7	271.4	60,100 *	59.3	280.1	75,600 *	63.6	283.4	88,600 *													95
100	48.9	267.2	55,800 *	56.7	276.9	69,400 *	61.1	280.7	80,500 *													100
105	45.8	262.5	52,100 *	54.0	273.3	64,000 *	58.5	277.7	73,600 *													105
110	42.6	257.2	48,700 *	51.2	269.4	59,300 *	55.9	274.4	67,700 *	63.0	279.6	73,400										110
115	39.2	251.3	45,700 *	48.3	265.1	55,200 *	53.1	270.8	62,600 *	60.5	276.8	69,400										115
120	35.6	244.7	42,900 *	45.3	260.3	51,500 *	50.3	266.8	58,000 *	57.9	273.8	65,800										120
130	26.9	227.8	38,100 *	38.6	249.0	45,200 *	44.3	257.4	50,500 *	52.5	266.7	59,400 *										130
140	13.9	200.1	33,400 *	30.7	234.2	40,000 *	37.4	245.6	44,400 *	46.6	258.0	53,200 *	54.4	264.9	50,500							140
150				20.3	212.7	35,700 *	29.3	230.0	39,300 *	40.1	247.2	46,600 *	48.7	256.8	46,200							150
160							18.0	206.6	35,100 *	32.6	233.3	41,200 *	42.5	246.8	42,400	50.5	253.9	39,500				160
170										22.9	213.9	36,700 *	35.4	234.2	39,100	44.4	244.6	36,300				170
180													26.7	217.2	36,200	37.6	232.9	33,600	46.0	240.5	30,400 *	180
190													13.4	188.9	33,500	29.6	217.5	31,100	39.4	229.4	28,000 *	190
200																18.5	194.4	28,900	31.8	215.2	25,800 *	200
210																			21.8	194.8	23,700 *	210



# Liftcrane Luffing Jib Capacities

Luffing Jib No. 133 or No. 133A On  
 Boom No. 44 With Heavy Lift Top  
 248,700 Lb. Crane Counterweight  
 120,000 Lb. Carbody Counterweight  
 360 Degree Rating

Designed And Tested  
 With The Intent To Be In  
 The Scope of ANSI B30.5

## M-250 SERIES 3

### 160 Ft. Boom, 140 Ft. Jib

Jib Oper. Rad. Feet	88 Degree Boom Angle			83 Degree Boom Angle			80 Degree Boom Angle			75 Degree Boom Angle			70 Degree Boom Angle			65 Degree Boom Angle			60 Degree Boom Angle			Jib Oper. Rad. Feet
	Jib Ang. Deg.	Jib Point Elev. Feet	Luffing Jib Capacity Pounds	Jib Ang. Deg.	Jib Point Elev. Feet	Luffing Jib Capacity Pounds	Jib Ang. Deg.	Jib Point Elev. Feet	Luffing Jib Capacity Pounds	Jib Ang. Deg.	Jib Point Elev. Feet	Luffing Jib Capacity Pounds	Jib Ang. Deg.	Jib Point Elev. Feet	Luffing Jib Capacity Pounds	Jib Ang. Deg.	Jib Point Elev. Feet	Luffing Jib Capacity Pounds	Jib Ang. Deg.	Jib Point Elev. Feet	Luffing Jib Capacity Pounds	
50	75.4	305.3	97,000 *																			50
55	73.3	303.8	94,200 *																			55
60	71.1	302.2	91,100 *																			60
65	68.9	300.3	87,700 *																			65
70	66.7	298.2	84,100 *																			70
75	64.5	295.9	80,200 *	70.7	300.6	89,900 *																75
80	62.2	293.3	76,200 *	68.5	298.7	86,700 *																80
85	59.8	290.5	70,000 *	66.3	296.6	83,700 *																85
90	57.4	287.4	64,500 *	64.1	294.2	80,800 *	67.8	296.7	89,200 *													90
95	54.9	283.9	59,600 *	61.7	291.6	75,200 *	65.6	294.5	85,800 *													95
100	52.4	280.2	55,400 *	59.4	288.7	69,000 *	63.3	292.1	80,100 *													100
105	49.7	276.1	51,600 *	57.0	285.5	63,600 *	61.0	289.4	73,200 *													105
110	47.0	271.5	48,200 *	54.5	282.1	58,900 *	58.6	286.4	67,300 *													110
115	44.1	266.5	45,200 *	51.9	278.3	54,700 *	56.2	283.1	62,100 *	62.8	288.3	68,800										115
120	41.0	261.0	42,400 *	49.2	274.1	51,000 *	53.7	279.6	57,600 *	60.4	285.5	65,100 *										120
130	34.2	247.8	37,700 *	43.5	264.4	44,700 *	48.3	271.3	50,000 *	55.6	279.1	58,600 *										130
140	25.9	230.1	33,600 *	37.1	252.4	39,500 *	42.5	261.3	43,900 *	50.4	271.4	52,700 *	57.3	277.1	49,900							140
150	13.4	201.2	29,600 *	29.6	236.8	35,200 *	36.0	248.8	38,900 *	44.8	262.1	46,100 *	52.2	269.9	45,600							150
160				19.5	214.4	31,600 *	28.2	232.5	34,700 *	38.6	250.7	40,700 *	46.8	261.2	41,900							160
170							17.4	208.1	31,100 *	31.4	236.1	36,200 *	40.8	250.6	38,600	48.5	258.5	35,700				170
180										22.1	215.8	32,400 *	34.0	237.3	35,700	42.7	248.5	33,000				180
190													25.7	219.5	33,000	36.2	236.2	30,600	44.2	244.6	27,100 *	190
200													12.9	190.0	30,200 *	28.4	220.0	28,400	37.9	232.9	25,000 *	200
210																17.8	196.0	26,400	30.6	217.9	23,000 *	210
220																			20.9	196.7	21,200 *	220



# Liftcrane Luffing Jib Capacities

# M-250 SERIES 3

Luffing Jib No. 133 or No. 133A On  
 Boom No. 44 With Heavy Lift Top  
 248,700 Lb. Crane Counterweight  
 120,000 Lb. Carbody Counterweight  
 360 Degree Rating

Designed And Tested  
 With The Intent To Be In  
 The Scope of ANSI B30.5

## 160 Ft. Boom, 150 Ft. Jib

Jib Oper. Rad. Feet	88 Degree Boom Angle			83 Degree Boom Angle			80 Degree Boom Angle			75 Degree Boom Angle			70 Degree Boom Angle			65 Degree Boom Angle			60 Degree Boom Angle			Jib Oper. Rad. Feet
	Jib Ang. Deg.	Jib Point Elev. Feet	Luffing Jib Capacity Pounds	Jib Ang. Deg.	Jib Point Elev. Feet	Luffing Jib Capacity Pounds	Jib Ang. Deg.	Jib Point Elev. Feet	Luffing Jib Capacity Pounds	Jib Ang. Deg.	Jib Point Elev. Feet	Luffing Jib Capacity Pounds	Jib Ang. Deg.	Jib Point Elev. Feet	Luffing Jib Capacity Pounds	Jib Ang. Deg.	Jib Point Elev. Feet	Luffing Jib Capacity Pounds	Jib Ang. Deg.	Jib Point Elev. Feet	Luffing Jib Capacity Pounds	
55	74.4	314.3	86,900 *																			55
60	72.4	312.7	84,400 *																			60
65	70.4	311.0	81,600 *																			65
70	68.4	309.1	78,700 *																			70
75	66.3	306.9	75,600 *																			75
80	64.2	304.6	72,300 *	70.0	309.4	82,700 *																80
85	62.0	302.0	68,900 *	68.0	307.5	80,000 *																85
90	59.8	299.1	65,500 *	65.9	305.3	77,300 *																90
95	57.6	296.0	60,700 *	63.8	302.9	74,700 *	67.3	305.5	83,000 *													95
100	55.3	292.7	56,300 *	61.6	300.3	70,400 *	65.2	303.2	80,000 *													100
105	52.9	289.0	52,500 *	59.4	297.4	64,800 *	63.1	300.7	74,700 *													105
110	50.5	284.9	49,000 *	57.2	294.2	59,900 *	60.9	298.0	68,600 *													110
115	47.9	280.6	45,900 *	54.9	290.8	55,600 *	58.7	295.1	63,200 *													115
120	45.3	275.7	43,000 *	52.5	287.0	51,800 *	56.4	291.8	58,600 *	62.6	296.9	64,400 *										120
130	39.5	264.6	38,100 *	47.4	278.5	45,400 *	51.7	284.4	50,800 *	58.2	291.1	57,900 *										130
140	33.0	250.7	34,000 *	42.0	268.2	40,100 *	46.6	275.6	44,500 *	53.5	284.2	52,400 *										140
150	25.0	232.3	30,500 *	35.8	255.6	35,600 *	41.0	265.0	39,400 *	48.6	276.0	46,700 *	55.2	282.4	45,100							150
160	12.9	202.3	25,500 *	28.5	239.4	31,900 *	34.7	252.0	35,100 *	43.2	266.1	41,200 *	50.3	274.6	41,300							160
170				18.8	216.0	28,700 *	27.2	235.0	31,400 *	37.2	254.1	36,600 *	45.1	265.4	38,100	51.8	271.6	35,200				170
180							16.7	209.5	28,300 *	30.3	238.8	32,700 *	39.4	254.2	35,200	46.7	262.9	32,500				180
190										21.3	217.7	29,400 *	32.8	240.2	32,600 *	41.2	252.3	30,100				190
200													24.8	221.7	30,000 *	34.9	239.3	27,900	42.6	248.5	24,200 *	200
210													12.4	191.1	27,500 *	27.4	222.5	25,900	36.6	236.2	22,300 *	210
220																17.1	197.5	24,100	29.5	220.5	20,500 *	220
230																			20.2	198.4	18,900 *	230



# Liftcrane Luffing Jib Capacities

Luffing Jib No. 133 or No. 133A On  
 Boom No. 44 With Heavy Lift Top  
 248,700 Lb. Crane Counterweight  
 120,000 Lb. Carbody Counterweight  
 360 Degree Rating

Designed And Tested  
 With The Intent To Be In  
 The Scope of ANSI B30.5

## M-250 SERIES 3

### 160 Ft. Boom, 160 Ft. Jib

Jib Oper. Rad. Feet	88 Degree Boom Angle			83 Degree Boom Angle			80 Degree Boom Angle			75 Degree Boom Angle			70 Degree Boom Angle			65 Degree Boom Angle			60 Degree Boom Angle			Jib Oper. Rad. Feet
	Jib Ang. Deg.	Jib Point Elev. Feet	Luffing Jib Capacity Pounds	Jib Ang. Deg.	Jib Point Elev. Feet	Luffing Jib Capacity Pounds	Jib Ang. Deg.	Jib Point Elev. Feet	Luffing Jib Capacity Pounds	Jib Ang. Deg.	Jib Point Elev. Feet	Luffing Jib Capacity Pounds	Jib Ang. Deg.	Jib Point Elev. Feet	Luffing Jib Capacity Pounds	Jib Ang. Deg.	Jib Point Elev. Feet	Luffing Jib Capacity Pounds	Jib Ang. Deg.	Jib Point Elev. Feet	Luffing Jib Capacity Pounds	
55	75.4	324.6	79,900 *																			55
60	73.6	323.2	78,000 *																			60
65	71.7	321.6	75,800 *																			65
70	69.8	319.8	73,400 *																			70
75	67.9	317.8	70,900 *																			75
80	65.9	315.6	68,200 *																			80
85	63.9	313.2	65,300 *	69.4	318.2	77,100 *																85
90	61.9	310.6	62,400 *	67.5	316.2	74,700 *																90
95	59.8	307.8	59,500 *	65.5	314.0	72,300 *																95
100	57.7	304.7	55,800 *	63.6	311.6	69,800 *	66.9	314.2	77,200 *													100
105	55.6	301.4	51,900 *	61.5	308.9	64,300 *	64.9	311.9	74,200 *													105
110	53.4	297.7	48,400 *	59.5	306.0	59,400 *	62.9	309.4	68,000 *													110
115	51.1	293.8	45,300 *	57.4	302.9	55,100 *	60.9	306.7	62,700 *													115
120	48.7	289.5	42,500 *	55.2	299.5	51,300 *	58.8	303.7	58,000 *													120
130	43.7	279.8	37,600 *	50.7	291.8	44,800 *	54.5	297.0	50,200 *	60.4	302.8	57,100 *										130
140	38.2	268.1	33,500 *	45.8	282.8	39,500 *	49.9	289.1	44,000 *	56.1	296.5	51,600 *										140
150	31.9	253.6	30,000 *	40.6	271.9	35,100 *	45.0	279.8	38,800 *	51.7	289.1	46,200 *	57.6	294.5	44,500							150
160	24.2	234.4	27,000 *	34.6	258.7	31,400 *	39.7	268.7	34,500 *	46.9	280.4	40,700 *	53.3	287.5	40,800							160
170	12.5	203.4	22,500 *	27.6	241.8	28,200 *	33.6	255.0	30,900 *	41.8	270.0	36,100 *	48.6	279.2	37,500							170
180				18.2	217.6	25,400 *	26.3	237.3	27,700 *	36.0	257.4	32,200 *	43.6	269.4	34,600 *	50.1	276.3	31,900				180
190							16.2	210.9	25,000 *	29.3	241.5	28,900 *	38.1	257.7	31,800 *	45.2	267.0	29,500				190
200										20.6	219.5	26,000 *	31.7	243.1	29,300 *	39.8	256.0	27,300	46.4	262.9	23,400 *	200
210													23.9	223.8	27,000 *	33.8	242.4	25,400	41.2	252.3	21,500 *	210
220													12.0	192.1	24,300 *	26.5	224.8	23,500 *	35.4	239.4	19,700 *	220
230																16.6	198.9	21,700 *	28.5	223.1	18,100 *	230
240																			19.5	200.1	16,600 *	240





# Liftcrane Luffing Jib Capacities

# M-250 SERIES 3

Luffing Jib No. 133 or No. 133A On  
 Boom No. 44 With Heavy Lift Top  
 248,700 Lb. Crane Counterweight  
 120,000 Lb. Carbody Counterweight  
 360 Degree Rating

Designed And Tested  
 With The Intent To Be In  
 The Scope of ANSI B30.5

## 160 Ft. Boom, 170 Ft. Jib

Jib Oper. Rad. Feet	88 Degree Boom Angle			83 Degree Boom Angle			80 Degree Boom Angle			75 Degree Boom Angle			70 Degree Boom Angle			65 Degree Boom Angle			60 Degree Boom Angle			Jib Oper. Rad. Feet
	Jib Ang. Deg.	Jib Point Elev. Feet	Luffing Jib Capacity Pounds	Jib Ang. Deg.	Jib Point Elev. Feet	Luffing Jib Capacity Pounds	Jib Ang. Deg.	Jib Point Elev. Feet	Luffing Jib Capacity Pounds	Jib Ang. Deg.	Jib Point Elev. Feet	Luffing Jib Capacity Pounds	Jib Ang. Deg.	Jib Point Elev. Feet	Luffing Jib Capacity Pounds	Jib Ang. Deg.	Jib Point Elev. Feet	Luffing Jib Capacity Pounds	Jib Ang. Deg.	Jib Point Elev. Feet	Luffing Jib Capacity Pounds	
60	74.6	333.6	72,000 *																			60
65	72.8	332.1	70,300 *																			65
70	71.0	330.4	68,400 *																			70
75	69.2	328.6	66,300 *																			75
80	67.4	326.6	64,100 *																			80
85	65.6	324.3	61,800 *	70.7	328.9	73,300 *																85
90	63.7	321.9	59,300 *	68.9	327.0	71,800 *																90
95	61.8	319.3	56,800 *	67.1	325.0	70,000 *																95
100	59.8	316.5	54,300 *	65.2	322.7	67,900 *																100
105	57.9	313.4	51,600 *	63.4	320.2	64,000 *	66.5	322.9	72,300 *													105
110	55.8	310.1	48,100 *	61.4	317.6	59,100 *	64.6	320.6	67,700 *													110
115	53.8	306.5	45,000 *	59.5	314.7	54,800 *	62.7	318.1	62,400 *													115
120	51.6	302.6	42,200 *	57.5	311.6	51,000 *	60.8	315.4	57,700 *													120
130	47.2	293.9	37,300 *	53.4	304.6	44,500 *	56.9	309.2	49,900 *	62.3	314.3	57,200 *										130
140	42.4	283.7	33,200 *	49.0	296.4	39,200 *	52.7	302.0	43,600 *	58.4	308.5	51,600 *										140
150	37.0	271.4	29,700 *	44.4	286.9	34,800 *	48.3	293.7	38,500 *	54.3	301.7	45,900 *										150
160	30.9	256.4	26,700 *	39.3	275.5	31,100 *	43.6	283.8	34,200 *	50.0	293.8	40,400 *	55.7	299.8	40,500							160
170	23.4	236.5	24,000 *	33.5	261.7	27,900 *	38.4	272.2	30,600 *	45.4	284.6	35,800 *	51.5	292.3	37,200							170
180	12.1	204.4	20,000 *	26.7	244.2	25,100 *	32.5	257.9	27,400 *	40.4	273.7	31,900 *	47.1	283.6	34,300	52.8	289.2	31,600				180
190				17.6	219.1	22,600 *	25.5	239.5	24,700 *	34.9	260.5	28,600 *	42.2	273.3	31,600 *	48.5	280.9	29,200				190
200							15.7	212.3	22,300 *	28.4	244.0	25,700 *	36.9	261.0	29,200 *	43.7	271.1	27,000				200
210										20.0	221.2	23,200 *	30.8	245.8	26,700 *	38.6	259.5	25,100	45.0	267.0	21,200 *	210
220													23.2	225.8	24,000 *	32.7	245.3	23,300 *	39.9	255.9	19,400 *	220
230													11.7	193.1	21,700 *	25.7	227.1	21,500 *	34.3	242.5	17,800 *	230
240																16.1	200.3	19,800 *	27.6	225.5	16,400 *	240
250																			18.9	201.8	15,000 *	250



# Liftcrane Luffing Jib Capacities

Luffing Jib No. 133 or No. 133A On  
 Boom No. 44 With Heavy Lift Top  
 248,700 Lb. Crane Counterweight  
 120,000 Lb. Carbody Counterweight  
 360 Degree Rating

Designed And Tested  
 With The Intent To Be In  
 The Scope of ANSI B30.5

## M-250 SERIES 3

### 160 Ft. Boom, 180 Ft. Jib

Jib Oper. Rad. Feet	88 Degree Boom Angle			83 Degree Boom Angle			80 Degree Boom Angle			75 Degree Boom Angle			70 Degree Boom Angle			65 Degree Boom Angle			60 Degree Boom Angle			Jib Oper. Rad. Feet		
	Jib Ang. Deg.	Jib Point Elev. Feet	Luffing Jib Capacity Pounds	Jib Ang. Deg.	Jib Point Elev. Feet	Luffing Jib Capacity Pounds	Jib Ang. Deg.	Jib Point Elev. Feet	Luffing Jib Capacity Pounds	Jib Ang. Deg.	Jib Point Elev. Feet	Luffing Jib Capacity Pounds	Jib Ang. Deg.	Jib Point Elev. Feet	Luffing Jib Capacity Pounds	Jib Ang. Deg.	Jib Point Elev. Feet	Luffing Jib Capacity Pounds	Jib Ang. Deg.	Jib Point Elev. Feet	Luffing Jib Capacity Pounds			
60	75.4	344.0	66,300 *																			60		
65	73.8	342.6	64,900 *																			65		
70	72.1	341.0	63,400 *																			70		
75	70.4	339.3	61,700 *																			75		
80	68.7	337.4	59,900 *																			80		
85	67.0	335.3	58,000 *																			85		
90	65.3	333.0	56,000 *	70.1	337.7	66,900 *																90		
95	63.5	330.6	53,900 *	68.4	335.8	65,500 *																95		
100	61.7	328.0	51,800 *	66.7	333.7	63,700 *																100		
105	59.9	325.1	49,600 *	64.9	331.4	61,600 *	67.9	333.8	67,900 *													105		
110	58.0	322.1	47,400 *	63.2	328.9	58,600 *	66.1	331.6	65,700 *													110		
115	56.1	318.8	44,500 *	61.4	326.2	54,300 *	64.4	329.3	61,900 *													115		
120	54.1	315.2	41,700 *	59.5	323.4	50,500 *	62.6	326.8	57,200 *													120		
130	50.1	307.3	36,800 *	55.7	316.9	44,000 *	58.9	321.1	49,400 *													130		
140	45.8	298.2	32,600 *	51.8	309.5	38,700 *	55.1	314.5	43,100 *	60.3	320.1	50,800 *										140		
150	41.1	287.4	29,100 *	47.6	300.9	34,300 *	51.1	306.9	38,000 *	56.6	313.9	45,400 *										150		
160	35.9	274.7	26,100 *	43.1	290.8	30,500 *	46.9	298.0	33,700 *	52.7	306.7	39,800 *	57.9	311.8	39,900							160		
170	30.0	259.0	23,500 *	38.1	279.0	27,300 *	42.3	287.7	30,000 *	48.5	298.4	35,200 *	54.0	304.9	36,600							170		
180	22.7	238.5	21,200 *	32.6	264.7	24,500 *	37.3	275.5	26,900 *	44.1	288.7	31,400 *	50.0	297.0	33,600 *							180		
190	11.7	205.4	17,500 *	26.0	246.5	22,100 *	31.6	260.7	24,200 *	39.2	277.3	28,000 *	45.6	287.8	30,900 *	51.2	294.0	28,600				190		
200				17.1	220.6	19,900 *	24.7	241.7	21,800 *	33.8	263.6	25,200 *	41.0	277.1	28,400 *	47.0	285.2	26,500				200		
210							15.2	213.6	19,700 *				27.5	246.4	22,700 *	42.4	275.0	24,400 *				210		
220												19.4	222.9	20,500 *	29.9	248.5	23,500 *	37.4	262.9	22,500 *	43.6	271.1	18,600 *	220
230														22.5	227.8	21,200 *	31.8	248.1	20,700 *	38.7	259.5	17,100 *	230	
240														11.3	194.1	19,100 *	25.0	229.3	19,100 *	33.3	245.5	15,600 *	240	
250																	15.6	201.6	17,600 *	26.8	227.9	14,300 *	250	
260																	18.4	203.4	13,000 *	18.4	203.4	13,000 *	260	



# Liftcrane Luffing Jib Capacities

# M-250 SERIES 3

Luffing Jib No. 133 or No. 133A On  
 Boom No. 44 With Heavy Lift Top  
 248,700 Lb. Crane Counterweight  
 120,000 Lb. Carbody Counterweight  
 360 Degree Rating

Designed And Tested  
 With The Intent To Be In  
 The Scope of ANSI B30.5

## 160 Ft. Boom, 190 Ft. Jib

Jib Oper. Rad. Feet	88 Degree Boom Angle			83 Degree Boom Angle			80 Degree Boom Angle			75 Degree Boom Angle			70 Degree Boom Angle			65 Degree Boom Angle			60 Degree Boom Angle			Jib Oper. Rad. Feet
	Jib Ang. Deg.	Jib Point Elev. Feet	Luffing Jib Capacity Pounds	Jib Ang. Deg.	Jib Point Elev. Feet	Luffing Jib Capacity Pounds	Jib Ang. Deg.	Jib Point Elev. Feet	Luffing Jib Capacity Pounds	Jib Ang. Deg.	Jib Point Elev. Feet	Luffing Jib Capacity Pounds	Jib Ang. Deg.	Jib Point Elev. Feet	Luffing Jib Capacity Pounds	Jib Ang. Deg.	Jib Point Elev. Feet	Luffing Jib Capacity Pounds	Jib Ang. Deg.	Jib Point Elev. Feet	Luffing Jib Capacity Pounds	
65	74.7	353.0	59,800 *																			65
70	73.1	351.5	58,500 *																			70
75	71.5	349.9	57,200 *																			75
80	69.9	348.1	55,700 *																			80
85	68.3	346.1	54,100 *																			85
90	66.6	344.0	52,500 *																			90
95	65.0	341.7	50,800 *	69.6	346.5	59,500 *																95
100	63.3	339.3	49,000 *	68.0	344.6	57,700 *																100
105	61.6	336.6	47,200 *	66.3	342.4	55,700 *																105
110	59.9	333.8	45,400 *	64.7	340.1	53,700 *	67.5	342.6	61,100 *													110
115	58.1	330.7	43,500 *	63.0	337.6	51,700 *	65.8	340.4	59,000 *													115
120	56.3	327.5	41,700 *	61.3	334.9	49,600 *	64.1	338.0	56,900 *													120
130	52.6	320.2	36,700 *	57.8	328.9	44,100 *	60.7	332.7	49,700 *													130
140	48.6	311.9	32,500 *	54.1	322.1	38,700 *	57.2	326.6	43,200 *	62.0	331.6	50,100 *										140
150	44.5	302.3	28,900 *	50.3	314.2	34,200 *	53.5	319.6	38,000 *	58.6	325.8	45,400 *										150
160	39.9	291.1	25,900 *	46.2	305.2	30,400 *	49.6	311.5	33,600 *	54.9	319.1	39,900 *										160
170	34.9	277.8	23,200 *	41.8	294.7	27,100 *	45.5	302.3	29,800 *	51.1	311.5	35,200 *	56.2	317.2	36,000 *							170
180	29.2	261.6	20,900 *	37.1	282.3	24,300 *	41.1	291.5	26,700 *	47.1	302.7	31,200 *	52.5	309.9	33,000 *							180
190	22.1	240.4	18,800 *	31.7	267.5	21,800 *	36.2	278.8	23,900 *	42.8	292.6	27,800 *	48.5	301.6	30,200 *							190
200	11.4	206.4	15,400 *	25.2	248.7	19,600 *	30.7	263.5	21,500 *	38.1	280.7	24,900 *	44.4	291.9	27,800 *	49.8	298.7	25,900 *				200
210				16.7	222.1	17,700 *	24.1	243.9	19,300 *	32.9	266.5	22,400 *	39.8	280.7	25,600 *	45.7	289.5	23,800 *				210
220							14.8	214.9	17,400 *	26.8	248.8	20,100 *	34.8	267.4	23,200 *	41.2	278.8	21,900 *	46.7	285.3	17,900 *	220
230										18.9	224.6	18,100 *	29.0	251.1	20,900 *	36.4	266.2	20,100 *	42.4	275.0	16,400 *	230
240													21.9	229.7	18,800 *	30.9	250.9	18,500 *	37.7	262.9	15,000 *	240
250													11.0	195.0	16,900 *	24.3	231.4	17,000 *	32.3	248.4	13,600 *	250
260																15.2	202.9	15,600 *	26.1	230.2	12,400 *	260
270																			17.9	205.0	11,200 *	270



# Liftcrane Luffing Jib Capacities

Luffing Jib No. 133 or No. 133A On  
 Boom No. 44 With Heavy Lift Top  
 248,700 Lb. Crane Counterweight  
 120,000 Lb. Carbody Counterweight  
 360 Degree Rating

Designed And Tested  
 With The Intent To Be In  
 The Scope of ANSI B30.5

## M-250 SERIES 3

### 160 Ft. Boom, 200 Ft. Jib

Jib Oper. Rad. Feet	88 Degree Boom Angle			83 Degree Boom Angle			80 Degree Boom Angle			75 Degree Boom Angle			70 Degree Boom Angle			65 Degree Boom Angle			60 Degree Boom Angle			Jib Oper. Rad. Feet
	Jib Ang. Deg.	Jib Point Elev. Feet	Luffing Jib Capacity Pounds	Jib Ang. Deg.	Jib Point Elev. Feet	Luffing Jib Capacity Pounds	Jib Ang. Deg.	Jib Point Elev. Feet	Luffing Jib Capacity Pounds	Jib Ang. Deg.	Jib Point Elev. Feet	Luffing Jib Capacity Pounds	Jib Ang. Deg.	Jib Point Elev. Feet	Luffing Jib Capacity Pounds	Jib Ang. Deg.	Jib Point Elev. Feet	Luffing Jib Capacity Pounds	Jib Ang. Deg.	Jib Point Elev. Feet	Luffing Jib Capacity Pounds	
65	75.4	363.4	55,000 *																			65
70	74.0	362.0	54,000 *																			70
75	72.5	360.4	52,900 *																			75
80	70.9	358.7	51,700 *																			80
85	69.4	356.9	50,500 *																			85
90	67.9	354.9	49,100 *																			90
95	66.3	352.8	47,700 *	70.7	357.2	55,000 *																95
100	64.7	350.4	46,200 *	69.1	355.3	53,300 *																100
105	63.1	348.0	44,700 *	67.6	353.3	51,400 *																105
110	61.5	345.3	43,100 *	66.0	351.1	49,500 *																110
115	59.9	342.4	41,400 *	64.5	348.8	47,600 *	67.1	351.3	54,300 *													115
120	58.2	339.4	39,500 *	62.9	346.3	45,500 *	65.5	349.1	52,200 *													120
130	54.7	332.7	35,800 *	59.6	340.7	41,600 *	62.3	344.1	47,800 *													130
140	51.1	325.0	32,000 *	56.2	334.3	37,800 *	59.0	338.4	42,700 *													140
150	47.3	316.3	28,400 *	52.6	327.1	33,600 *	55.6	331.9	37,400 *	60.3	337.5	44,400 *										150
160	43.3	306.3	25,300 *	48.9	318.8	29,800 *	52.1	324.5	33,000 *	56.9	331.3	39,300 *										160
170	38.9	294.6	22,600 *	45.0	309.3	26,500 *	48.3	316.0	29,300 *	53.4	324.2	34,600 *										170
180	34.0	280.9	20,300 *	40.7	298.4	23,700 *	44.3	306.3	26,100 *	49.7	316.2	30,600 *	54.7	322.4	32,200 *							180
190	28.4	264.2	18,200 *	36.1	285.6	21,300 *	40.0	295.2	23,300 *	45.9	307.0	27,300 *	51.0	314.7	29,500 *							190
200	21.5	242.3	16,400 *	30.8	270.3	19,100 *	35.3	282.0	20,900 *	41.7	296.4	24,400 *	47.2	306.0	27,000 *	52.2	311.6	25,100 *				200
210	11.1	207.4	13,300 *	24.6	250.9	17,100 *	29.9	266.2	18,800 *	37.1	284.1	21,800 *	43.2	295.9	24,800 *	48.4	303.2	23,000 *				210
220				16.2	223.5	15,400 *	23.4	245.9	16,900 *	32.0	269.4	19,600 *	38.8	284.2	22,700 *	44.4	293.6	21,100 *				220
230							14.4	216.1	15,200 *	26.1	251.1	17,600 *	33.9	270.4	20,300 *	40.1	282.4	19,400 *	45.5	289.5	15,600 *	230
240										18.4	226.2	15,800 *	28.3	253.6	18,300 *	35.4	269.4	17,800 *	41.2	278.7	14,200 *	240
250													21.3	231.6	16,400 *	30.1	253.6	16,300 *	36.7	266.2	12,800 *	250
260													10.7	195.9	14,700 *	23.6	233.5	14,900 *	31.5	251.2	11,600 *	260
270																14.8	204.2	13,600 *	25.4	232.5	10,500 *	270
280																			17.4	206.5	9,400 *	280



# Liftcrane Luffing Jib Capacities

## M-250 SERIES 3

Luffing Jib No. 133 or No. 133A On  
 Boom No. 44 With Heavy Lift Top  
 248,700 Lb. Crane Counterweight  
 120,000 Lb. Carbody Counterweight  
 360 Degree Rating

Designed And Tested  
 With The Intent To Be In  
 The Scope of ANSI B30.5

### 170 Ft. Boom, 70 Ft. Jib

Jib Oper. Rad. Feet	88 Degree Boom Angle			83 Degree Boom Angle			80 Degree Boom Angle			75 Degree Boom Angle			70 Degree Boom Angle			65 Degree Boom Angle			60 Degree Boom Angle			Jib Oper. Rad. Feet
	Jib Ang. Deg.	Jib Point Elev. Feet	Luffing Jib Capacity Pounds	Jib Ang. Deg.	Jib Point Elev. Feet	Luffing Jib Capacity Pounds	Jib Ang. Deg.	Jib Point Elev. Feet	Luffing Jib Capacity Pounds	Jib Ang. Deg.	Jib Point Elev. Feet	Luffing Jib Capacity Pounds	Jib Ang. Deg.	Jib Point Elev. Feet	Luffing Jib Capacity Pounds	Jib Ang. Deg.	Jib Point Elev. Feet	Luffing Jib Capacity Pounds	Jib Ang. Deg.	Jib Point Elev. Feet	Luffing Jib Capacity Pounds	
45	64.6	242.8	134,400 *b																			45
50	60.0	240.1	127,200 *b																			50
55	55.1	236.7	120,600 *b																			55
60	49.8	232.7	112,800 *	64.6	241.5	129,100 *b																60
65	44.1	227.9	100,600 *	59.9	238.7	121,900 *b																65
70	37.7	221.9	90,500 *	55.0	235.4	115,200 *b	63.6	239.5	128,900 *b													70
75	30.2	214.2	82,200 *	49.8	231.4	109,000 *	58.9	236.7	121,400 *b													75
80	20.2	203.0	75,100 *	44.1	226.6	100,600 *	53.9	233.2	113,500 *b													80
85				37.7	220.6	90,500 *	48.6	229.0	105,400 *													85
90				30.1	212.8	82,200 *	42.8	224.0	98,200 *	58.5	233.1	96,700 b										90
95				20.1	201.6	75,100 *	36.2	217.7	88,900 *	53.5	229.6	90,400 b										95
100							28.2	209.4	80,800 *	48.2	225.4	84,900										100
105							17.1	196.8	74,000 *	42.3	220.2	79,900	57.9	228.0	75,200 b							105
110										35.7	213.8	75,500	52.8	224.4	71,000 b							110
115										27.6	205.3	71,400	47.4	220.1	67,200							115
120										16.0	192.1	67,600 *	41.4	214.8	63,800							120
130													26.3	199.3	57,600	46.1	213.1	54,100				130
140																32.9	200.5	49,300				140
150																8.0	172.0	44,900				150
160																			37.6	198.2	42,200	160
																			20.0	179.2	38,700	



# Liftcrane Luffing Jib Capacities

Luffing Jib No. 133 or No. 133A On  
 Boom No. 44 With Heavy Lift Top  
 248,700 Lb. Crane Counterweight  
 120,000 Lb. Carbody Counterweight  
 360 Degree Rating

Designed And Tested  
 With The Intent To Be In  
 The Scope of ANSI B30.5

## M-250 SERIES 3

### 170 Ft. Boom, 80 Ft. Jib

Jib Oper. Rad. Feet	88 Degree Boom Angle			83 Degree Boom Angle			80 Degree Boom Angle			75 Degree Boom Angle			70 Degree Boom Angle			65 Degree Boom Angle			60 Degree Boom Angle			Jib Oper. Rad. Feet
	Jib Ang. Deg.	Jib Point Elev. Feet	Luffing Jib Capacity Pounds	Jib Ang. Deg.	Jib Point Elev. Feet	Luffing Jib Capacity Pounds	Jib Ang. Deg.	Jib Point Elev. Feet	Luffing Jib Capacity Pounds	Jib Ang. Deg.	Jib Point Elev. Feet	Luffing Jib Capacity Pounds	Jib Ang. Deg.	Jib Point Elev. Feet	Luffing Jib Capacity Pounds	Jib Ang. Deg.	Jib Point Elev. Feet	Luffing Jib Capacity Pounds	Jib Ang. Deg.	Jib Point Elev. Feet	Luffing Jib Capacity Pounds	
45	68.0	253.8	129,700 *b																			45
50	64.1	251.5	122,900 *b																			50
55	60.0	248.7	116,700 *b																			55
60	55.7	245.5	111,100 *	68.0	252.5	124,700 *b																60
65	51.2	241.6	101,100 *	64.0	250.2	118,100 *b																65
70	46.3	237.1	91,000 *	59.9	247.4	111,900 *b	67.1	250.6	125,200 *b													70
75	41.1	231.7	82,500 *	55.7	244.1	106,100 *	63.2	248.2	118,200 *b													75
80	35.1	225.1	75,400 *	51.2	240.3	100,700 *	59.0	245.3	111,600 *b													80
85	28.1	216.7	69,300 *	46.3	235.8	91,000 *	54.7	242.0	104,600 *													85
90	18.8	204.6	64,000 *	41.0	230.4	82,500 *	50.1	238.0	97,500 *	62.9	244.6	96,000 b										90
95				35.1	223.8	75,400 *	45.2	233.3	89,300 *	58.7	241.7	89,800 b										95
100				28.1	215.3	69,300 *	39.8	227.6	81,100 *	54.4	238.3	84,300										100
105				18.7	203.3	64,000 *	33.7	220.7	74,200 *	49.8	234.3	79,400										105
110							26.3	211.7	68,300 *	44.8	229.5	74,900										110
115							15.9	198.1	63,100 *	39.4	223.8	70,900 *	53.8	233.2	66,600							115
120										33.2	216.8	67,100 *	49.1	229.1	63,100							120
130										14.9	193.4	60,400 *	38.6	218.3	57,100	52.7	226.4	53,400				130
140													24.5	201.4	51,900	42.9	217.0	48,600				140
150																30.6	203.2	44,500	46.3	213.4	41,500	150
160																7.4	172.6	40,700	35.1	201.4	38,100	160
170																			18.6	180.8	35,100 *	170



# Liftcrane Luffing Jib Capacities

# M-250 SERIES 3

Luffing Jib No. 133 or No. 133A On  
 Boom No. 44 With Heavy Lift Top  
 248,700 Lb. Crane Counterweight  
 120,000 Lb. Carbody Counterweight  
 360 Degree Rating

Designed And Tested  
 With The Intent To Be In  
 The Scope of ANSI B30.5

## 170 Ft. Boom, 90 Ft. Jib

Jib Oper. Rad. Feet	88 Degree Boom Angle			83 Degree Boom Angle			80 Degree Boom Angle			75 Degree Boom Angle			70 Degree Boom Angle			65 Degree Boom Angle			60 Degree Boom Angle			Jib Oper. Rad. Feet
	Jib Ang. Deg.	Jib Point Elev. Feet	Luffing Jib Capacity Pounds	Jib Ang. Deg.	Jib Point Elev. Feet	Luffing Jib Capacity Pounds	Jib Ang. Deg.	Jib Point Elev. Feet	Luffing Jib Capacity Pounds	Jib Ang. Deg.	Jib Point Elev. Feet	Luffing Jib Capacity Pounds	Jib Ang. Deg.	Jib Point Elev. Feet	Luffing Jib Capacity Pounds	Jib Ang. Deg.	Jib Point Elev. Feet	Luffing Jib Capacity Pounds	Jib Ang. Deg.	Jib Point Elev. Feet	Luffing Jib Capacity Pounds	
45	70.6	264.5	125,100 *b																			45
50	67.1	262.5	119,000 *b																			50
55	63.6	260.2	113,100 *b																			55
60	60.0	257.4	107,800 *	70.6	263.2	120,300 *b																60
65	56.2	254.2	101,500 *	67.1	261.2	114,300 *b																65
70	52.2	250.4	91,300 *	63.6	258.8	108,600 *b																70
75	48.0	246.1	82,800 *	60.0	256.1	103,300 *	66.4	259.3	115,100 *b													75
80	43.5	241.1	75,600 *	56.2	252.8	98,300 *	62.8	256.9	109,100 *b													80
85	38.6	235.2	69,400 *	52.2	249.1	91,300 *	59.1	254.0	103,400 *													85
90	33.0	228.1	64,100 *	48.0	244.8	82,800 *	55.3	250.7	96,900 *													90
95	26.4	219.0	59,400 *	43.5	239.8	75,600 *	51.3	246.8	89,500 *	62.6	253.3	89,300 *										95
100	17.6	206.2	55,300 *	38.6	233.9	69,500 *	47.0	242.4	81,300 *	58.9	250.4	83,800 *										100
105				33.0	226.7	64,100 *	42.5	237.2	74,400 *	55.0	247.1	78,800 *										105
110				26.4	217.7	59,500 *	37.4	231.1	68,400 *	51.0	243.2	74,400 *										110
115				17.6	204.8	55,300 *	31.7	223.6	63,200 *	46.7	238.7	70,300 *										115
120							24.7	213.9	58,700 *	42.1	233.4	66,600 *	54.5	241.9	62,700							120
130										31.2	219.6	60,100 *	46.1	233.4	56,700							130
140										14.0	194.6	54,400 *	36.3	221.6	51,600	49.4	231.1	48,100				140
150													23.0	203.4	47,200	40.3	220.8	44,000				150
160																28.8	205.8	40,500	43.5	217.5	37,600	160
170																6.9	173.2	37,200	33.0	204.4	34,600 *	170
180																			17.5	182.4	31,800 *	180



# Liftcrane Luffing Jib Capacities

Luffing Jib No. 133 or No. 133A On  
 Boom No. 44 With Heavy Lift Top  
 248,700 Lb. Crane Counterweight  
 120,000 Lb. Carbody Counterweight  
 360 Degree Rating

Designed And Tested  
 With The Intent To Be In  
 The Scope of ANSI B30.5

## M-250 SERIES 3

### 170 Ft. Boom, 100 Ft. Jib

Jib Oper. Rad. Feet	88 Degree Boom Angle			83 Degree Boom Angle			80 Degree Boom Angle			75 Degree Boom Angle			70 Degree Boom Angle			65 Degree Boom Angle			60 Degree Boom Angle			Jib Oper. Rad. Feet
	Jib Ang. Deg.	Jib Point Elev. Feet	Luffing Jib Capacity Pounds	Jib Ang. Deg.	Jib Point Elev. Feet	Luffing Jib Capacity Pounds	Jib Ang. Deg.	Jib Point Elev. Feet	Luffing Jib Capacity Pounds	Jib Ang. Deg.	Jib Point Elev. Feet	Luffing Jib Capacity Pounds	Jib Ang. Deg.	Jib Point Elev. Feet	Luffing Jib Capacity Pounds	Jib Ang. Deg.	Jib Point Elev. Feet	Luffing Jib Capacity Pounds	Jib Ang. Deg.	Jib Point Elev. Feet	Luffing Jib Capacity Pounds	
45	72.6	275.1	120,500 *b																			45
50	69.5	273.3	114,800 *b																			50
55	66.4	271.3	109,300 *b																			55
60	63.3	268.8	104,400 *																			60
65	60.0	266.0	99,700 *	69.5	272.0	110,200 *b																65
70	56.6	262.9	91,200 *	66.4	269.9	105,100 *																70
75	53.0	259.2	82,700 *	63.2	267.5	100,200 *																75
80	49.3	255.1	75,500 *	60.0	264.7	95,500 *	65.7	268.0	106,000 *													80
85	45.4	250.4	69,300 *	56.6	261.5	91,100 *	62.5	265.5	100,800 *													85
90	41.1	244.9	64,000 *	53.0	257.9	82,700 *	59.2	262.7	95,900 *													90
95	36.5	238.5	59,300 *	49.3	253.8	75,500 *	55.8	259.4	89,500 *													95
100	31.3	230.9	55,100 *	45.4	249.1	69,300 *	52.2	255.7	81,200 *	62.3	262.0	82,900 *										100
105	25.0	221.2	51,500 *	41.1	243.6	64,000 *	48.5	251.4	74,300 *	59.0	259.1	77,900 *										105
110	16.7	207.6	48,100 *	36.5	237.2	59,300 *	44.5	246.5	68,300 *	55.6	255.8	73,500 *										110
115				31.2	229.5	55,200 *	40.1	240.9	63,100 *	52.0	252.0	69,500 *										115
120				25.0	219.9	51,500 *	35.4	234.3	58,500 *	48.2	247.7	65,800 *										120
130							23.4	216.0	50,900 *	39.8	237.1	59,300 *	51.4	246.8	56,000							130
140										29.5	222.2	53,800 *	43.6	237.4	51,000							140
150										13.3	195.7	47,400 *	34.3	224.7	46,600	46.7	235.5	43,400				150
160													21.8	205.3	42,800	38.1	224.2	39,800				160
170																27.2	208.2	36,700	41.1	221.3	33,700 *	170
180																6.5	173.7	33,800	31.2	207.2	31,000 *	180
190																			16.6	183.8	28,400 *	190





# Liftcrane Luffing Jib Capacities

# M-250 SERIES 3

Luffing Jib No. 133 or No. 133A On  
 Boom No. 44 With Heavy Lift Top  
 248,700 Lb. Crane Counterweight  
 120,000 Lb. Carbody Counterweight  
 360 Degree Rating

Designed And Tested  
 With The Intent To Be In  
 The Scope of ANSI B30.5

## 170 Ft. Boom, 110 Ft. Jib

Jib Oper. Rad. Feet	88 Degree Boom Angle			83 Degree Boom Angle			80 Degree Boom Angle			75 Degree Boom Angle			70 Degree Boom Angle			65 Degree Boom Angle			60 Degree Boom Angle			Jib Oper. Rad. Feet
	Jib Ang. Deg.	Jib Point Elev. Feet	Luffing Jib Capacity Pounds	Jib Ang. Deg.	Jib Point Elev. Feet	Luffing Jib Capacity Pounds	Jib Ang. Deg.	Jib Point Elev. Feet	Luffing Jib Capacity Pounds	Jib Ang. Deg.	Jib Point Elev. Feet	Luffing Jib Capacity Pounds	Jib Ang. Deg.	Jib Point Elev. Feet	Luffing Jib Capacity Pounds	Jib Ang. Deg.	Jib Point Elev. Feet	Luffing Jib Capacity Pounds	Jib Ang. Deg.	Jib Point Elev. Feet	Luffing Jib Capacity Pounds	
45	74.2	285.6	114,900 *b																			45
50	71.5	284.0	109,700 *b																			50
55	68.7	282.1	104,800 *																			55
60	65.9	280.0	100,200 *																			60
65	63.0	277.5	95,900 *																			65
70	60.0	274.7	91,900 *	68.7	280.8	102,200 *																70
75	56.9	271.5	85,200 *	65.8	278.7	97,700 *																75
80	53.7	268.0	77,700 *	62.9	276.2	93,400 *																80
85	50.4	264.0	71,300 *	60.0	273.4	89,200 *	65.2	276.7	98,200 *													85
90	46.9	259.5	65,800 *	56.9	270.2	85,200 *	62.3	274.2	93,600 *													90
95	43.1	254.4	60,900 *	53.7	266.7	77,700 *	59.3	271.3	89,200 *													95
100	39.1	248.5	56,700 *	50.4	262.7	71,300 *	56.2	268.1	83,600 *													100
105	34.7	241.7	52,900 *	46.8	258.2	65,800 *	53.0	264.4	76,400 *	62.1	270.6	77,200 *										105
110	29.7	233.5	49,500 *	43.1	253.0	60,900 *	49.6	260.3	70,200 *	59.1	267.7	72,800 *										110
115	23.8	223.3	46,400 *	39.1	247.2	56,700 *	46.0	255.7	64,800 *	56.0	264.5	68,700 *										115
120	15.9	209.0	43,400 *	34.7	240.3	52,900 *	42.3	250.4	60,100 *	52.7	260.8	65,100 *										120
130				23.8	222.0	46,400 *	33.7	237.3	52,200 *	45.8	252.0	58,700 *	55.5	259.4	55,500							130
140							22.3	217.9	45,900 *	37.9	240.5	53,200 *	48.9	251.4	50,400							140
150										28.1	224.7	48,500 *	41.4	241.2	46,100	51.5	248.8	42,800				150
160										12.6	196.8	43,000 *	32.6	227.6	42,400	44.4	239.6	39,300				160
170													20.7	207.1	39,000	36.2	227.5	36,200	46.8	235.8	33,000 *	170
180																25.9	210.5	33,500	39.1	224.8	30,300 *	180
190																6.2	174.2	30,900	29.7	209.8	27,900 *	190
200																			15.8	185.1	25,600 *	200



# Liftcrane Luffing Jib Capacities

Luffing Jib No. 133 or No. 133A On  
 Boom No. 44 With Heavy Lift Top  
 248,700 Lb. Crane Counterweight  
 120,000 Lb. Carbody Counterweight  
 360 Degree Rating

Designed And Tested  
 With The Intent To Be In  
 The Scope of ANSI B30.5

## M-250 SERIES 3

### 170 Ft. Boom, 120 Ft. Jib

Jib Oper. Rad. Feet	88 Degree Boom Angle			83 Degree Boom Angle			80 Degree Boom Angle			75 Degree Boom Angle			70 Degree Boom Angle			65 Degree Boom Angle			60 Degree Boom Angle			Jib Oper. Rad. Feet
	Jib Ang. Deg.	Jib Point Elev. Feet	Luffing Jib Capacity Pounds	Jib Ang. Deg.	Jib Point Elev. Feet	Luffing Jib Capacity Pounds	Jib Ang. Deg.	Jib Point Elev. Feet	Luffing Jib Capacity Pounds	Jib Ang. Deg.	Jib Point Elev. Feet	Luffing Jib Capacity Pounds	Jib Ang. Deg.	Jib Point Elev. Feet	Luffing Jib Capacity Pounds	Jib Ang. Deg.	Jib Point Elev. Feet	Luffing Jib Capacity Pounds	Jib Ang. Deg.	Jib Point Elev. Feet	Luffing Jib Capacity Pounds	
45	75.6	296.0	110,200 *b																			45
50	73.1	294.5	105,500 *b																			50
55	70.6	292.8	101,100 *																			55
60	68.0	290.9	96,900 *																			60
65	65.4	288.7	92,800 *																			65
70	62.7	286.2	89,100 *	70.5	291.5	98,500 *																70
75	60.0	283.4	84,600 *	68.0	289.6	94,300 *																75
80	57.2	280.2	77,300 *	65.4	287.4	90,400 *																80
85	54.3	276.7	70,900 *	62.7	284.9	86,600 *	67.4	287.7	95,900 *													85
90	51.2	272.8	65,400 *	60.0	282.0	83,000 *	64.8	285.4	91,700 *													90
95	48.1	268.5	60,500 *	57.1	278.9	77,300 *	62.1	282.9	87,700 *													95
100	44.7	263.6	56,300 *	54.2	275.4	70,900 *	59.4	280.0	83,300 *													100
105	41.2	258.2	52,500 *	51.2	271.5	65,400 *	56.5	276.8	76,000 *													105
110	37.4	251.9	49,100 *	48.0	267.2	60,500 *	53.6	273.2	69,800 *	61.9	279.3	72,300 *										110
115	33.2	244.7	46,000 *	44.7	262.3	56,300 *	50.5	269.2	64,400 *	59.2	276.4	68,300 *										115
120	28.4	236.1	43,200 *	41.2	256.8	52,500 *	47.3	264.8	59,700 *	56.3	273.2	64,600 *										120
130	15.2	210.3	38,100 *	33.1	243.3	46,000 *	40.4	254.1	51,800 *	50.3	265.6	58,200 *										130
140				22.7	224.0	40,700 *	32.2	240.2	45,500 *	43.7	256.0	52,700 *	52.9	264.4	49,800							140
150							21.3	219.8	40,300 *	36.2	243.8	48,000 *	46.6	255.8	45,500							150
160										26.9	227.1	42,600 *	39.6	244.8	41,800	49.1	253.5	38,700				160
170										12.0	197.8	37,900 *	31.2	230.4	38,500	42.4	243.5	35,600				170
180													19.8	208.9	35,600	34.6	230.7	32,900	44.7	240.0	29,500 *	180
190																24.8	212.7	30,500	37.3	228.2	27,100 *	190
200																5.9	174.6	28,200	28.4	212.4	24,900 *	200
210																			15.0	186.4	22,900 *	210



# Liftcrane Luffing Jib Capacities

# M-250 SERIES 3

Luffing Jib No. 133 or No. 133A On  
 Boom No. 44 With Heavy Lift Top  
 248,700 Lb. Crane Counterweight  
 120,000 Lb. Carbody Counterweight  
 360 Degree Rating

Designed And Tested  
 With The Intent To Be In  
 The Scope of ANSI B30.5

## 170 Ft. Boom, 130 Ft. Jib

Jib Oper. Rad. Feet	88 Degree Boom Angle			83 Degree Boom Angle			80 Degree Boom Angle			75 Degree Boom Angle			70 Degree Boom Angle			65 Degree Boom Angle			60 Degree Boom Angle			Jib Oper. Rad. Feet
	Jib Ang. Deg.	Jib Point Elev. Feet	Luffing Jib Capacity Pounds	Jib Ang. Deg.	Jib Point Elev. Feet	Luffing Jib Capacity Pounds	Jib Ang. Deg.	Jib Point Elev. Feet	Luffing Jib Capacity Pounds	Jib Ang. Deg.	Jib Point Elev. Feet	Luffing Jib Capacity Pounds	Jib Ang. Deg.	Jib Point Elev. Feet	Luffing Jib Capacity Pounds	Jib Ang. Deg.	Jib Point Elev. Feet	Luffing Jib Capacity Pounds	Jib Ang. Deg.	Jib Point Elev. Feet	Luffing Jib Capacity Pounds	
50	74.4	305.0	100,200 *b																			50
55	72.1	303.4	96,900 *																			55
60	69.8	301.6	93,300 *																			60
65	67.4	299.6	89,300 *																			65
70	65.0	297.4	85,100 *																			70
75	62.5	294.8	80,800 *	69.8	300.3	91,100 *																75
80	60.0	292.0	76,400 *	67.4	298.3	87,500 *																80
85	57.4	288.9	70,800 *	65.0	296.0	84,000 *																85
90	54.7	285.5	65,300 *	62.5	293.5	80,700 *	66.9	296.4	89,100 *													90
95	51.9	281.7	60,400 *	60.0	290.7	77,300 *	64.4	294.1	85,400 *													95
100	49.1	277.5	56,100 *	57.4	287.6	70,800 *	61.9	291.5	81,800 *													100
105	46.0	272.8	52,300 *	54.7	284.2	65,300 *	59.4	288.7	75,900 *													105
110	42.9	267.6	48,900 *	51.9	280.3	60,400 *	56.8	285.5	69,700 *													110
115	39.5	261.8	45,900 *	49.0	276.1	56,100 *	54.1	282.0	64,300 *	61.8	288.0	67,900 *										115
120	35.8	255.2	43,100 *	46.0	271.5	52,300 *	51.3	278.1	59,500 *	59.2	285.1	64,300 *										120
130	27.3	238.5	38,300 *	39.5	260.4	45,900 *	45.4	269.0	51,600 *	53.9	278.3	57,800 *										130
140	14.5	211.5	33,900 *	31.8	246.2	40,600 *	38.7	257.7	45,300 *	48.2	270.1	52,400 *	56.2	276.8	49,600							140
150				21.8	225.9	36,200 *	30.8	242.9	40,100 *	41.9	259.9	47,700 *	50.7	269.2	45,300							150
160							20.4	221.6	35,800 *	34.7	247.0	42,500 *	44.7	259.9	41,600	52.9	266.4	38,400				160
170										25.8	229.4	37,800 *	37.9	248.3	38,300	47.1	257.9	35,400				170
180										11.5	198.8	33,800 *	29.9	233.1	35,400	40.6	247.2	32,700				180
190													19.0	210.5	32,700 *	33.2	233.6	30,300	42.8	243.9	26,800 *	190
200																23.8	214.8	28,100	35.8	231.5	24,600 *	200
210																5.7	175.1	26,000	27.2	214.8	22,700 *	210
220																			14.4	187.7	20,900 *	220



# Liftcrane Luffing Jib Capacities

Luffing Jib No. 133 or No. 133A On  
 Boom No. 44 With Heavy Lift Top  
 248,700 Lb. Crane Counterweight  
 120,000 Lb. Carbody Counterweight  
 360 Degree Rating

Designed And Tested  
 With The Intent To Be In  
 The Scope of ANSI B30.5

## M-250 SERIES 3

### 170 Ft. Boom, 140 Ft. Jib

Jib Oper. Rad. Feet	88 Degree Boom Angle			83 Degree Boom Angle			80 Degree Boom Angle			75 Degree Boom Angle			70 Degree Boom Angle			65 Degree Boom Angle			60 Degree Boom Angle			Jib Oper. Rad. Feet
	Jib Ang. Deg.	Jib Point Elev. Feet	Luffing Jib Capacity Pounds	Jib Ang. Deg.	Jib Point Elev. Feet	Luffing Jib Capacity Pounds	Jib Ang. Deg.	Jib Point Elev. Feet	Luffing Jib Capacity Pounds	Jib Ang. Deg.	Jib Point Elev. Feet	Luffing Jib Capacity Pounds	Jib Ang. Deg.	Jib Point Elev. Feet	Luffing Jib Capacity Pounds	Jib Ang. Deg.	Jib Point Elev. Feet	Luffing Jib Capacity Pounds	Jib Ang. Deg.	Jib Point Elev. Feet	Luffing Jib Capacity Pounds	
50	75.6	315.4	92,300 *																			50
55	73.4	313.9	89,700 *																			55
60	71.3	312.3	86,800 *																			60
65	69.1	310.4	83,600 *																			65
70	66.9	308.4	80,200 *																			70
75	64.6	306.0	76,500 *																			75
80	62.3	303.5	72,800 *	69.1	309.1	84,300 *																80
85	60.0	300.7	69,100 *	66.9	307.0	81,100 *																85
90	57.6	297.6	64,800 *	64.6	304.7	78,100 *																90
95	55.1	294.2	60,000 *	62.3	302.2	75,100 *	66.4	305.2	82,700 *													95
100	52.5	290.5	55,700 *	60.0	299.4	70,400 *	64.1	302.8	79,400 *													100
105	49.9	286.4	51,900 *	57.6	296.3	64,800 *	61.8	300.2	75,500 *													105
110	47.2	281.9	48,500 *	55.1	292.9	60,000 *	59.4	297.3	69,200 *													110
115	44.3	276.9	45,400 *	52.5	289.1	55,700 *	57.0	294.2	63,800 *													115
120	41.2	271.4	42,600 *	49.9	285.0	51,900 *	54.5	290.7	59,100 *	61.6	296.6	63,400 *										120
130	34.5	258.3	37,800 *	44.2	275.6	45,400 *	49.3	282.7	51,200 *	56.9	290.6	57,100 *										130
140	26.2	240.8	33,800 *	38.0	263.9	40,100 *	43.6	273.0	44,900 *	51.8	283.2	51,600 *										140
150	14.0	212.7	30,000 *	30.6	248.9	35,700 *	37.2	261.0	39,700 *	46.3	274.4	47,000 *	54.0	281.9	44,700							150
160				21.0	227.7	32,000 *	29.7	245.6	35,300 *	40.3	263.6	42,000 *	48.7	273.8	41,000							160
170							19.7	223.3	31,700 *	33.4	250.0	37,300 *	43.0	263.9	37,800 *	50.8	271.2	34,700				170
180										24.8	231.6	33,300 *	36.5	251.6	34,800 *	45.2	262.1	32,100				180
190										11.1	199.7	29,900 *	28.8	235.7	32,000 *	39.1	250.8	29,700	47.1	258.2	25,900 *	190
200													18.3	212.1	29,500 *	31.9	236.5	27,600	41.2	247.7	23,800 *	200
210																22.9	216.8	25,600	34.4	234.6	21,900 *	210
220																5.4	175.5	23,600 *	26.2	217.1	20,100 *	220
230																			13.9	188.8	18,500 *	230



# Liftcrane Luffing Jib Capacities

# M-250 SERIES 3

Luffing Jib No. 133 or No. 133A On  
 Boom No. 44 With Heavy Lift Top  
 248,700 Lb. Crane Counterweight  
 120,000 Lb. Carbody Counterweight  
 360 Degree Rating

Designed And Tested  
 With The Intent To Be In  
 The Scope of ANSI B30.5

## 170 Ft. Boom, 150 Ft. Jib

Jib Oper. Rad. Feet	88 Degree Boom Angle			83 Degree Boom Angle			80 Degree Boom Angle			75 Degree Boom Angle			70 Degree Boom Angle			65 Degree Boom Angle			60 Degree Boom Angle			Jib Oper. Rad. Feet
	Jib Ang. Deg.	Jib Point Elev. Feet	Luffing Jib Capacity Pounds	Jib Ang. Deg.	Jib Point Elev. Feet	Luffing Jib Capacity Pounds	Jib Ang. Deg.	Jib Point Elev. Feet	Luffing Jib Capacity Pounds	Jib Ang. Deg.	Jib Point Elev. Feet	Luffing Jib Capacity Pounds	Jib Ang. Deg.	Jib Point Elev. Feet	Luffing Jib Capacity Pounds	Jib Ang. Deg.	Jib Point Elev. Feet	Luffing Jib Capacity Pounds	Jib Ang. Deg.	Jib Point Elev. Feet	Luffing Jib Capacity Pounds	
55	74.6	324.4	82,900 *																			55
60	72.6	322.8	80,600 *																			60
65	70.6	321.1	78,000 *																			65
70	68.5	319.2	75,200 *																			70
75	66.4	317.1	72,300 *																			75
80	64.3	314.7	69,100 *	70.5	319.8	81,800 *																80
85	62.2	312.2	65,900 *	68.5	317.9	78,900 *																85
90	60.0	309.3	62,700 *	66.4	315.8	76,100 *																90
95	57.7	306.3	59,400 *	64.3	313.4	73,400 *																95
100	55.4	302.9	56,200 *	62.2	310.8	70,700 *	66.0	313.9	77,000 *													100
105	53.1	299.2	52,700 *	60.0	308.0	66,100 *	63.8	311.5	74,200 *													105
110	50.6	295.2	49,200 *	57.7	304.9	61,100 *	61.7	308.9	70,600 *													110
115	48.1	290.9	46,100 *	55.4	301.6	56,600 *	59.5	306.0	65,000 *													115
120	45.4	286.1	43,200 *	53.1	297.9	52,700 *	57.2	302.8	60,100 *													120
130	39.7	275.0	38,300 *	48.1	289.5	46,100 *	52.5	295.7	52,000 *	59.3	302.4	56,300 *										130
140	33.2	261.3	34,200 *	42.7	279.5	40,700 *	47.5	287.1	45,500 *	54.7	295.8	50,900 *										140
150	25.3	243.1	30,600 *	36.6	267.2	36,100 *	42.0	276.9	40,200 *	49.9	287.9	46,300 *	56.7	294.1	44,100							150
160	13.5	213.9	25,900 *	29.5	251.6	32,300 *	35.9	264.3	35,800 *	44.6	278.5	42,300 *	52.0	286.8	40,500 *							160
170				20.2	229.5	29,100 *	28.6	248.1	32,000 *	38.8	267.1	37,700 *	47.0	278.1	37,100 *							170
180							19.0	224.9	28,800 *	32.2	252.9	33,700 *	41.4	267.7	34,100 *	48.9	275.8	31,500				180
190										23.9	233.7	30,200 *	35.2	254.8	31,400 *	43.6	266.1	29,200				190
200										10.7	200.6	27,200 *	27.8	238.1	28,900 *	37.7	254.2	27,100	45.4	262.4	23,100 *	200
210													17.6	213.6	26,700 *	30.8	239.3	25,100 *	39.7	251.3	21,200 *	210
220																22.1	218.7	23,100 *	33.2	237.6	19,500 *	220
230																5.2	175.9	21,200 *	25.2	219.3	17,900 *	230
240																			13.4	190.0	16,400 *	240



# Liftcrane Luffing Jib Capacities

Luffing Jib No. 133 or No. 133A On  
 Boom No. 44 With Heavy Lift Top  
 248,700 Lb. Crane Counterweight  
 120,000 Lb. Carbody Counterweight  
 360 Degree Rating

Designed And Tested  
 With The Intent To Be In  
 The Scope of ANSI B30.5

## M-250 SERIES 3

### 170 Ft. Boom, 160 Ft. Jib

Jib Oper. Rad. Feet	88 Degree Boom Angle			83 Degree Boom Angle			80 Degree Boom Angle			75 Degree Boom Angle			70 Degree Boom Angle			65 Degree Boom Angle			60 Degree Boom Angle			Jib Oper. Rad. Feet
	Jib Ang. Deg.	Jib Point Elev. Feet	Luffing Jib Capacity Pounds	Jib Ang. Deg.	Jib Point Elev. Feet	Luffing Jib Capacity Pounds	Jib Ang. Deg.	Jib Point Elev. Feet	Luffing Jib Capacity Pounds	Jib Ang. Deg.	Jib Point Elev. Feet	Luffing Jib Capacity Pounds	Jib Ang. Deg.	Jib Point Elev. Feet	Luffing Jib Capacity Pounds	Jib Ang. Deg.	Jib Point Elev. Feet	Luffing Jib Capacity Pounds	Jib Ang. Deg.	Jib Point Elev. Feet	Luffing Jib Capacity Pounds	
55	75.6	334.7	76,500 *																			55
60	73.7	333.3	74,600 *																			60
65	71.8	331.7	72,500 *																			65
70	69.9	329.9	70,300 *																			70
75	68.0	328.0	67,800 *																			75
80	66.0	325.8	65,300 *																			80
85	64.1	323.4	62,600 *	69.9	328.6	75,800 *																85
90	62.0	320.8	59,800 *	68.0	326.7	73,300 *																90
95	60.0	318.0	57,000 *	66.0	324.5	70,800 *																95
100	57.9	314.9	54,200 *	64.0	322.1	68,400 *	67.6	324.8	75,000 *													100
105	55.7	311.6	51,500 *	62.0	319.5	65,600 *	65.6	322.6	72,400 *													105
110	53.5	308.0	48,700 *	60.0	316.7	60,500 *	63.6	320.2	69,800 *													110
115	51.2	304.1	45,500 *	57.9	313.6	56,100 *	61.6	317.5	64,500 *													115
120	48.9	299.8	42,700 *	55.7	310.3	52,200 *	59.5	314.6	59,600 *													120
130	43.9	290.1	37,800 *	51.2	302.8	45,500 *	55.2	308.1	51,500 *	61.4	314.0	56,000 *										130
140	38.4	278.5	33,600 *	46.4	293.9	40,100 *	50.7	300.5	45,000 *	57.3	307.9	50,600 *										140
150	32.1	264.1	30,100 *	41.2	283.3	35,600 *	45.9	291.4	39,600 *	52.9	300.8	45,900 *										150
160	24.5	245.2	27,100 *	35.4	270.4	31,800 *	40.6	280.6	35,200 *	48.2	292.4	41,800 *	54.8	299.4	39,900							160
170	13.1	215.0	22,800 *	28.5	254.1	28,500 *	34.7	267.4	31,500 *	43.1	282.5	37,200 *	50.2	291.6	36,600 *							170
180				19.6	231.2	25,700 *	27.7	250.6	28,300 *	37.6	270.5	33,200 *	45.4	282.4	33,500 *	52.0	288.9	30,900				180
190							18.3	226.5	25,500 *	31.1	255.6	29,700 *	40.0	271.3	30,800 *	47.3	280.2	28,600				190
200										23.1	235.7	26,700 *	34.0	257.9	28,400 *	42.1	270.0	26,500 *				200
210										10.3	201.5	24,100 *	26.9	240.5	26,200 *	36.4	257.5	24,400 *	43.9	266.5	20,400 *	210
220													17.1	215.1	24,100 *	29.8	241.9	22,500 *	38.4	254.8	18,700 *	220
230																21.3	220.6	20,700 *	32.1	240.4	17,200 *	230
240																5.0	176.3	19,000 *	24.4	221.5	15,700 *	240
250																			12.9	191.1	14,300 *	250



# Liftcrane Luffing Jib Capacities

# M-250 SERIES 3

Luffing Jib No. 133 or No. 133A On  
 Boom No. 44 With Heavy Lift Top  
 248,700 Lb. Crane Counterweight  
 120,000 Lb. Carbody Counterweight  
 360 Degree Rating

Designed And Tested  
 With The Intent To Be In  
 The Scope of ANSI B30.5

## 170 Ft. Boom, 170 Ft. Jib

Jib Oper. Rad. Feet	88 Degree Boom Angle			83 Degree Boom Angle			80 Degree Boom Angle			75 Degree Boom Angle			70 Degree Boom Angle			65 Degree Boom Angle			60 Degree Boom Angle			Jib Oper. Rad. Feet
	Jib Ang. Deg.	Jib Point Elev. Feet	Luffing Jib Capacity Pounds	Jib Ang. Deg.	Jib Point Elev. Feet	Luffing Jib Capacity Pounds	Jib Ang. Deg.	Jib Point Elev. Feet	Luffing Jib Capacity Pounds	Jib Ang. Deg.	Jib Point Elev. Feet	Luffing Jib Capacity Pounds	Jib Ang. Deg.	Jib Point Elev. Feet	Luffing Jib Capacity Pounds	Jib Ang. Deg.	Jib Point Elev. Feet	Luffing Jib Capacity Pounds	Jib Ang. Deg.	Jib Point Elev. Feet	Luffing Jib Capacity Pounds	
60	74.7	343.7	69,100 *																			60
65	72.9	342.2	67,400 *																			65
70	71.1	340.6	65,500 *																			70
75	69.4	338.7	63,600 *																			75
80	67.5	336.7	61,400 *																			80
85	65.7	334.5	59,200 *																			85
90	63.8	332.1	56,900 *	69.3	337.4	70,400 *																90
95	61.9	329.5	54,500 *	67.5	335.4	68,300 *																95
100	60.0	326.7	52,100 *	65.7	333.2	66,100 *																100
105	58.0	323.6	49,700 *	63.8	330.8	63,900 *	67.1	333.5	69,900 *													105
110	56.0	320.3	47,300 *	61.9	328.2	60,200 *	65.3	331.3	67,600 *													110
115	53.9	316.7	44,900 *	60.0	325.3	55,800 *	63.4	328.8	64,200 *													115
120	51.8	312.9	42,400 *	58.0	322.3	51,900 *	61.5	326.2	59,300 *													120
130	47.3	304.2	37,400 *	53.9	315.4	45,200 *	57.6	320.2	51,200 *													130
140	42.5	294.1	33,300 *	49.6	307.4	39,800 *	53.5	313.2	44,600 *	59.4	319.7	50,100 *										140
150	37.2	281.9	29,800 *	45.0	298.0	35,300 *	49.1	305.1	39,300 *	55.4	313.2	45,500 *										150
160	31.2	266.9	26,800 *	39.9	286.9	31,500 *	44.4	295.5	34,900 *	51.2	305.6	41,400 *	57.1	311.5	39,600 *							160
170	23.7	247.3	24,100 *	34.3	273.5	28,200 *	39.4	284.2	31,200 *	46.7	296.8	36,900 *	53.0	304.4	36,100 *							170
180	12.7	216.1	20,300 *	27.7	256.6	25,400 *	33.6	270.5	27,900 *	41.8	286.3	32,800 *	48.6	296.1	33,100 *							180
190				19.0	232.9	22,900 *	26.8	253.0	25,200 *	36.4	273.8	29,400 *	43.9	286.4	30,400 *	50.3	293.6	28,300 *				190
200							17.8	228.1	22,700 *	30.2	258.3	26,400 *	38.8	274.9	28,000 *	45.8	284.5	26,100 *				200
210										22.4	237.7	23,800 *	33.0	260.8	25,800 *	40.8	273.7	24,000 *	47.3	280.6	20,000 *	210
220										10.0	202.4	21,500 *	26.0	242.8	23,800 *	35.3	260.7	22,200 *	42.5	270.4	18,400 *	220
230													16.5	216.6	22,000 *	28.9	244.5	20,400 *	37.2	258.2	16,800 *	230
240																20.7	222.4	18,800 *	31.1	243.2	15,400 *	240
250																4.9	176.7	17,200 *	23.7	223.6	14,100 *	250
260																			12.5	192.2	12,800 *	260



# Liftcrane Luffing Jib Capacities

Luffing Jib No. 133 or No. 133A On  
 Boom No. 44 With Heavy Lift Top  
 248,700 Lb. Crane Counterweight  
 120,000 Lb. Carbody Counterweight  
 360 Degree Rating

Designed And Tested  
 With The Intent To Be In  
 The Scope of ANSI B30.5

## M-250 SERIES 3

### 170 Ft. Boom, 180 Ft. Jib

Jib Oper. Rad. Feet	88 Degree Boom Angle			83 Degree Boom Angle			80 Degree Boom Angle			75 Degree Boom Angle			70 Degree Boom Angle			65 Degree Boom Angle			60 Degree Boom Angle			Jib Oper. Rad. Feet
	Jib Ang. Deg.	Jib Point Elev. Feet	Luffing Jib Capacity Pounds	Jib Ang. Deg.	Jib Point Elev. Feet	Luffing Jib Capacity Pounds	Jib Ang. Deg.	Jib Point Elev. Feet	Luffing Jib Capacity Pounds	Jib Ang. Deg.	Jib Point Elev. Feet	Luffing Jib Capacity Pounds	Jib Ang. Deg.	Jib Point Elev. Feet	Luffing Jib Capacity Pounds	Jib Ang. Deg.	Jib Point Elev. Feet	Luffing Jib Capacity Pounds	Jib Ang. Deg.	Jib Point Elev. Feet	Luffing Jib Capacity Pounds	
60	75.6	354.1	63,700 *																			60
65	73.9	352.7	62,400 *																			65
70	72.2	351.1	60,900 *																			70
75	70.5	349.4	59,200 *																			75
80	68.8	347.5	57,500 *																			80
85	67.1	345.4	55,700 *																			85
90	65.4	343.2	53,700 *	70.5	348.1	66,000 *																90
95	63.6	340.8	51,700 *	68.8	346.2	65,000 *																95
100	61.8	338.1	49,700 *	67.1	344.1	63,500 *																100
105	60.0	335.3	47,600 *	65.4	341.9	61,500 *																105
110	58.1	332.3	45,500 *	63.6	339.5	59,600 *	66.7	342.3	65,000 *													110
115	56.2	329.0	43,400 *	61.8	336.8	55,300 *	65.0	340.0	63,000 *													115
120	54.3	325.5	41,400 *	60.0	334.0	51,400 *	63.2	337.5	58,800 *													120
130	50.2	317.6	36,900 *	56.2	327.7	44,700 *	59.6	332.0	50,600 *													130
140	45.9	308.5	32,800 *	52.3	320.4	39,300 *	55.8	325.5	44,100 *	61.3	331.3	49,300 *										140
150	41.3	297.8	29,300 *	48.1	311.9	34,800 *	51.8	318.1	38,800 *	57.6	325.3	44,700 *										150
160	36.1	285.2	26,200 *	43.6	302.1	31,000 *	47.6	309.5	34,400 *	53.7	318.3	40,700 *										160
170	30.2	269.6	23,600 *	38.8	290.5	27,700 *	43.1	299.5	30,600 *	49.6	310.3	36,300 *	55.4	316.8	35,300 *							170
180	23.0	249.3	21,200 *	33.3	276.5	24,900 *	38.2	287.7	27,400 *	45.3	301.0	32,300 *	51.4	309.3	32,300 *							180
190	12.3	217.1	17,800 *	26.8	258.9	22,400 *	32.6	273.4	24,600 *	40.5	290.1	28,900 *	47.2	300.5	29,700 *	52.9	306.4	27,600 *				190
200				18.4	234.5	20,200 *	26.1	255.3	22,200 *	35.3	277.0	25,900 *	42.6	290.3	27,300 *	48.8	298.2	25,300 *				200
210							17.3	229.6	20,000 *	29.3	261.0	23,300 *	37.6	278.3	25,100 *	44.4	288.6	23,200 *				210
220										21.8	239.6	21,000 *	32.0	263.7	23,100 *	39.6	277.3	21,400 *	45.9	284.8	17,500 *	220
230										9.7	203.2	18,900 *	25.3	245.1	21,300 *	34.3	263.8	19,700 *	41.2	274.2	16,000 *	230
240													16.1	218.0	19,600 *	28.0	247.0	18,100 *	36.1	261.5	14,600 *	240
250																20.1	224.2	16,600 *	30.2	245.9	13,300 *	250
260																4.7	177.1	15,100 *	23.0	225.6	12,100 *	260
270																			12.2	193.2	10,900 *	270





# Liftcrane Luffing Jib Capacities

# M-250 SERIES 3

Luffing Jib No. 133 or No. 133A On  
 Boom No. 44 With Heavy Lift Top  
 248,700 Lb. Crane Counterweight  
 120,000 Lb. Carbody Counterweight  
 360 Degree Rating

Designed And Tested  
 With The Intent To Be In  
 The Scope of ANSI B30.5

## 170 Ft. Boom, 190 Ft. Jib

Jib Oper. Rad. Feet	88 Degree Boom Angle			83 Degree Boom Angle			80 Degree Boom Angle			75 Degree Boom Angle			70 Degree Boom Angle			65 Degree Boom Angle			60 Degree Boom Angle			Jib Oper. Rad. Feet
	Jib Ang. Deg.	Jib Point Elev. Feet	Luffing Jib Capacity Pounds	Jib Ang. Deg.	Jib Point Elev. Feet	Luffing Jib Capacity Pounds	Jib Ang. Deg.	Jib Point Elev. Feet	Luffing Jib Capacity Pounds	Jib Ang. Deg.	Jib Point Elev. Feet	Luffing Jib Capacity Pounds	Jib Ang. Deg.	Jib Point Elev. Feet	Luffing Jib Capacity Pounds	Jib Ang. Deg.	Jib Point Elev. Feet	Luffing Jib Capacity Pounds	Jib Ang. Deg.	Jib Point Elev. Feet	Luffing Jib Capacity Pounds	
65	74.8	363.1	57,500 *																			65
70	73.2	361.6	56,200 *																			70
75	71.6	360.0	55,000 *																			75
80	70.0	358.2	53,600 *																			80
85	68.4	356.3	52,100 *																			85
90	66.8	354.2	50,500 *																			90
95	65.1	351.9	48,900 *	70.0	356.9	59,300 *																95
100	63.4	349.5	47,100 *	68.4	355.0	57,600 *																100
105	61.7	346.8	45,400 *	66.8	352.9	55,800 *																105
110	60.0	344.0	43,600 *	65.1	350.6	54,000 *	68.0	353.1	60,100 *													110
115	58.2	340.9	41,800 *	63.4	348.1	52,000 *	66.4	351.0	59,200 *													115
120	56.4	337.7	40,000 *	61.7	345.5	50,000 *	64.7	348.7	57,200 *													120
130	52.7	330.5	36,500 *	58.2	339.6	44,900 *	61.3	343.5	51,000 *													130
140	48.8	322.2	32,600 *	54.6	332.9	39,300 *	57.8	337.5	44,300 *	62.9	342.6	48,600 *										140
150	44.6	312.6	29,100 *	50.8	325.1	34,700 *	54.2	330.7	38,800 *	59.5	337.0	44,000 *										150
160	40.1	301.5	26,000 *	46.7	316.3	30,800 *	50.3	322.8	34,300 *	55.9	330.6	40,000 *										160
170	35.1	288.3	23,300 *	42.4	306.0	27,500 *	46.3	313.8	30,500 *	52.1	323.3	36,300 *	57.4	328.9	34,600 *							170
180	29.4	272.3	20,900 *	37.7	293.9	24,600 *	41.9	303.3	27,200 *	48.2	314.8	32,200 *	53.8	321.9	31,700 *							180
190	22.4	251.3	18,800 *	32.4	279.4	22,100 *	37.1	291.0	24,400 *	44.0	305.0	28,700 *	49.9	313.9	29,000 *							190
200	11.9	218.2	15,700 *	26.1	261.3	19,900 *	31.7	276.2	21,900 *	39.4	293.7	25,600 *	45.8	304.8	26,600 *	51.4	311.3	24,600 *				200
210				17.9	236.0	17,900 *	25.3	257.5	19,700 *	34.3	280.1	23,000 *	41.4	294.1	24,500 *	47.4	302.6	22,600 *				210
220							16.8	231.0	17,700 *	28.5	263.5	20,700 *	36.6	281.6	22,500 *	43.2	292.6	20,700 *				220
230										21.2	241.5	18,600 *	31.1	266.5	20,700 *	38.5	280.8	19,000 *	44.6	289.0	15,300 *	230
240										9.5	204.0	16,800 *	24.6	247.2	19,100 *	33.3	266.8	17,500 *	40.1	277.8	13,900 *	240
250													15.6	219.3	17,500 *	27.3	249.4	16,000 *	35.1	264.7	12,700 *	250
260																19.5	225.9	14,700 *	29.4	248.6	11,500 *	260
270																4.6	177.4	13,300 *	22.3	227.6	10,400 *	270
280																			11.8	194.2	9,300 *	280



# Liftcrane Luffing Jib Capacities

Luffing Jib No. 133 or No. 133A On  
 Boom No. 44 With Heavy Lift Top  
 248,700 Lb. Crane Counterweight  
 120,000 Lb. Carbody Counterweight  
 360 Degree Rating

Designed And Tested  
 With The Intent To Be In  
 The Scope of ANSI B30.5

## M-250 SERIES 3

### 170 Ft. Boom, 200 Ft. Jib

Jib Oper. Rad. Feet	88 Degree Boom Angle			83 Degree Boom Angle			80 Degree Boom Angle			75 Degree Boom Angle			70 Degree Boom Angle			65 Degree Boom Angle			60 Degree Boom Angle			Jib Oper. Rad. Feet
	Jib Ang. Deg.	Jib Point Elev. Feet	Luffing Jib Capacity Pounds	Jib Ang. Deg.	Jib Point Elev. Feet	Luffing Jib Capacity Pounds	Jib Ang. Deg.	Jib Point Elev. Feet	Luffing Jib Capacity Pounds	Jib Ang. Deg.	Jib Point Elev. Feet	Luffing Jib Capacity Pounds	Jib Ang. Deg.	Jib Point Elev. Feet	Luffing Jib Capacity Pounds	Jib Ang. Deg.	Jib Point Elev. Feet	Luffing Jib Capacity Pounds	Jib Ang. Deg.	Jib Point Elev. Feet	Luffing Jib Capacity Pounds	
65	75.6	373.5	53,000 *																			65
70	74.1	372.1	52,000 *																			70
75	72.6	370.5	51,000 *																			75
80	71.1	368.8	49,800 *																			80
85	69.5	367.0	48,600 *																			85
90	68.0	365.0	47,300 *																			90
95	66.4	362.9	45,900 *																			95
100	64.9	360.6	44,500 *	69.5	365.7	53,200 *																100
105	63.3	358.1	43,000 *	68.0	363.7	51,500 *																105
110	61.6	355.5	41,500 *	66.4	361.6	49,700 *																110
115	60.0	352.6	39,900 *	64.8	359.3	47,900 *	67.6	361.9	54,400 *													115
120	58.3	349.6	38,400 *	63.2	356.8	45,900 *	66.1	359.7	52,500 *													120
130	54.9	342.9	35,300 *	60.0	351.3	42,100 *	62.9	354.9	48,400 *													130
140	51.3	335.3	32,100 *	56.6	345.1	38,400 *	59.6	349.3	43,700 *													140
150	47.5	326.6	28,500 *	53.1	337.9	34,100 *	56.2	342.9	38,200 *	61.2	348.6	43,200 *										150
160	43.4	316.6	25,400 *	49.4	329.8	30,200 *	52.7	335.7	33,700 *	57.8	342.6	39,200 *										160
170	39.0	305.1	22,700 *	45.5	320.5	26,900 *	49.0	327.4	29,900 *	54.3	335.8	35,700 *										170
180	34.2	291.4	20,400 *	41.3	309.7	24,000 *	45.0	318.0	26,600 *	50.7	328.0	31,600 *	55.9	334.2	30,900 *							180
190	28.6	274.8	18,300 *	36.7	297.2	21,500 *	40.8	307.1	23,800 *	46.9	319.2	28,100 *	52.3	326.9	28,200 *							190
200	21.8	253.2	16,400 *	31.5	282.2	19,300 *	36.1	294.3	21,300 *	42.8	309.0	25,100 *	48.6	318.5	25,800 *							200
210	11.6	219.1	13,500 *	25.4	263.5	17,400 *	30.9	279.0	19,100 *	38.4	297.1	22,400 *	44.6	308.9	23,700 *	50.0	316.0	21,800 *				210
220				17.4	237.5	15,600 *	24.7	259.7	17,200 *	33.4	283.1	20,100 *	40.3	297.8	21,800 *	46.1	306.9	19,900 *				220
230							16.3	232.5	15,400 *	27.7	266.0	18,100 *	35.6	284.8	20,000 *	42.0	296.4	18,200 *	47.4	303.0	14,500 *	230
240										20.6	243.3	16,300 *	30.3	269.2	18,400 *	37.5	284.2	16,700 *	43.4	293.0	13,100 *	240
250										9.2	204.8	14,600 *	23.9	249.3	16,900 *	32.4	269.7	15,300 *	39.0	281.4	11,900 *	250
260													15.2	220.6	15,300 *	26.5	251.8	14,000 *	34.2	267.7	10,700 *	260
270																19.0	227.5	12,700 *	28.6	251.1	9,600 *	270
280																4.5	177.8	11,400 *	21.8	229.5	8,600 *	280
290																			11.5	195.2	7,600 *	290



# Liftcrane Luffing Jib Capacities

# M-250 SERIES 3

Luffing Jib No. 133 or No. 133A On  
 Boom No. 44 With Heavy Lift Top  
 248,700 Lb. Crane Counterweight  
 120,000 Lb. Carbody Counterweight  
 360 Degree Rating

Designed And Tested  
 With The Intent To Be In  
 The Scope of ANSI B30.5

## 180 Ft. Boom, 70 Ft. Jib

Jib Oper. Rad. Feet	88 Degree Boom Angle			83 Degree Boom Angle			80 Degree Boom Angle			75 Degree Boom Angle			70 Degree Boom Angle			65 Degree Boom Angle			60 Degree Boom Angle			Jib Oper. Rad. Feet
	Jib Ang. Deg.	Jib Point Elev. Feet	Luffing Jib Capacity Pounds	Jib Ang. Deg.	Jib Point Elev. Feet	Luffing Jib Capacity Pounds	Jib Ang. Deg.	Jib Point Elev. Feet	Luffing Jib Capacity Pounds	Jib Ang. Deg.	Jib Point Elev. Feet	Luffing Jib Capacity Pounds	Jib Ang. Deg.	Jib Point Elev. Feet	Luffing Jib Capacity Pounds	Jib Ang. Deg.	Jib Point Elev. Feet	Luffing Jib Capacity Pounds	Jib Ang. Deg.	Jib Point Elev. Feet	Luffing Jib Capacity Pounds	
45	65.0	253.0	133,000 *b																			45
50	60.3	250.3	126,000 *b																			50
55	55.4	247.0	119,700 *b																			55
60	50.2	243.0	113,800 *b	65.7	252.0	124,800 *b																60
65	44.5	238.3	101,300 *	61.1	249.4	117,900 *b																65
70	38.2	232.4	91,200 *	56.2	246.2	111,400 *b	65.2	250.3	124,300 *b													70
75	30.8	224.8	82,700 *	51.1	242.4	105,400 *b	60.6	247.6	117,200 *b													75
80	21.0	214.0	75,500 *	45.5	237.8	99,900 *	55.7	244.3	110,400 *b													80
85				39.3	232.1	92,800 *	50.5	240.4	103,300 *b													85
90				32.1	224.9	84,100 *	44.8	235.7	96,300 *	61.0	244.3	94,600 *b										90
95				22.9	214.8	76,700 *	38.6	229.9	90,000 *	56.2	241.1	88,500 *b										95
100				3.1	191.3	67,800 *	31.2	222.4	83,500 *	51.0	237.3	83,100 *b										100
105							21.6	211.9	76,200 *	45.4	232.7	78,200 *										105
110										39.2	227.0	73,800 *	56.3	236.3	69,600 b							110
115										32.0	219.7	69,700 *	51.2	232.5	65,900							115
120										22.8	209.6	66,000 *	45.6	227.9	62,500							120
130													32.2	215.0	56,500	50.8	226.0	52,700				130
140													4.1	182.5	51,200	38.9	215.6	47,900				140
150																22.3	197.9	43,800	44.0	212.9	40,700	150
160																30.1	199.1	37,400				160



# Liftcrane Luffing Jib Capacities

Luffing Jib No. 133 or No. 133A On  
 Boom No. 44 With Heavy Lift Top  
 248,700 Lb. Crane Counterweight  
 120,000 Lb. Carbody Counterweight  
 360 Degree Rating

Designed And Tested  
 With The Intent To Be In  
 The Scope of ANSI B30.5

## M-250 SERIES 3

### 180 Ft. Boom, 80 Ft. Jib

Jib Oper. Rad. Feet	88 Degree Boom Angle			83 Degree Boom Angle			80 Degree Boom Angle			75 Degree Boom Angle			70 Degree Boom Angle			65 Degree Boom Angle			60 Degree Boom Angle			Jib Oper. Rad. Feet
	Jib Ang. Deg.	Jib Point Elev. Feet	Luffing Jib Capacity Pounds	Jib Ang. Deg.	Jib Point Elev. Feet	Luffing Jib Capacity Pounds	Jib Ang. Deg.	Jib Point Elev. Feet	Luffing Jib Capacity Pounds	Jib Ang. Deg.	Jib Point Elev. Feet	Luffing Jib Capacity Pounds	Jib Ang. Deg.	Jib Point Elev. Feet	Luffing Jib Capacity Pounds	Jib Ang. Deg.	Jib Point Elev. Feet	Luffing Jib Capacity Pounds	Jib Ang. Deg.	Jib Point Elev. Feet	Luffing Jib Capacity Pounds	
45	68.3	263.9	128,100 *b																			45
50	64.3	261.6	121,700 *b																			50
55	60.3	258.9	115,800 *b																			55
60	56.0	255.7	110,300 *	68.9	262.9	120,400 *b																60
65	51.5	251.9	101,900 *	65.0	260.7	114,100 *b																65
70	46.7	247.4	91,600 *	61.0	258.0	108,100 *b																70
75	41.5	242.1	83,100 *	56.7	254.9	102,600 *	64.6	258.9	114,000 *b													75
80	35.6	235.6	75,900 *	52.3	251.2	97,400 *	60.5	256.2	107,800 *b													80
85	28.7	227.4	69,700 *	47.5	246.9	92,500 *	56.2	253.0	102,000 *													85
90	19.6	215.7	64,300 *	42.4	241.7	84,500 *	51.8	249.3	95,600 *													90
95				36.6	235.4	77,000 *	47.0	244.8	89,400 *	60.9	253.0	87,600 *b										95
100				29.9	227.5	70,700 *	41.8	239.6	83,800 *	56.7	249.8	82,200 *										100
105				21.4	216.7	65,200 *	35.9	233.1	76,500 *	52.2	246.1	77,400 *										105
110				2.8	191.4	58,400 *	29.1	225.0	70,300 *	47.5	241.8	73,000 *										110
115							20.2	213.6	64,800 *	42.3	236.6	69,000 *	56.8	245.0	65,200							115
120										36.5	230.3	65,300 *	52.3	241.3	61,800							120
130										21.2	211.5	58,800 *	42.4	231.8	55,900							130
140													30.0	217.7	50,900	47.2	230.5	47,200				140
150													3.7	182.7	46,300	36.3	218.9	43,200				150
160																20.7	199.7	39,600	41.0	216.7	36,700 *	160
170																28.0	201.6	33,600 *				170



# Liftcrane Luffing Jib Capacities

# M-250 SERIES 3

Luffing Jib No. 133 or No. 133A On  
 Boom No. 44 With Heavy Lift Top  
 248,700 Lb. Crane Counterweight  
 120,000 Lb. Carbody Counterweight  
 360 Degree Rating

Designed And Tested  
 With The Intent To Be In  
 The Scope of ANSI B30.5

## 180 Ft. Boom, 90 Ft. Jib

Jib Oper. Rad. Feet	88 Degree Boom Angle			83 Degree Boom Angle			80 Degree Boom Angle			75 Degree Boom Angle			70 Degree Boom Angle			65 Degree Boom Angle			60 Degree Boom Angle			Jib Oper. Rad. Feet
	Jib Ang. Deg.	Jib Point Elev. Feet	Luffing Jib Capacity Pounds	Jib Ang. Deg.	Jib Point Elev. Feet	Luffing Jib Capacity Pounds	Jib Ang. Deg.	Jib Point Elev. Feet	Luffing Jib Capacity Pounds	Jib Ang. Deg.	Jib Point Elev. Feet	Luffing Jib Capacity Pounds	Jib Ang. Deg.	Jib Point Elev. Feet	Luffing Jib Capacity Pounds	Jib Ang. Deg.	Jib Point Elev. Feet	Luffing Jib Capacity Pounds	Jib Ang. Deg.	Jib Point Elev. Feet	Luffing Jib Capacity Pounds	
45	70.8	274.7	123,500 *b																			45
50	67.4	272.7	117,500 *b																			50
55	63.9	270.3	112,000 *b																			55
60	60.2	267.6	106,900 *																			60
65	56.5	264.4	102,100 *	68.0	271.7	110,300 *b																65
70	52.5	260.7	91,900 *	64.5	269.4	104,900 *b																70
75	48.3	256.5	83,300 *	60.9	266.7	99,700 *	67.6	269.9	110,800 *b													75
80	43.8	251.5	76,100 *	57.1	263.6	94,900 *	64.1	267.6	105,100 *b													80
85	38.9	245.7	69,900 *	53.2	260.0	90,400 *	60.4	264.9	99,800 *													85
90	33.4	238.6	64,500 *	49.0	255.9	84,700 *	56.7	261.7	94,700 *													90
95	27.0	229.7	59,800 *	44.6	251.0	77,300 *	52.7	258.1	88,800 *													95
100	18.4	217.3	55,600 *	39.8	245.4	70,900 *	48.6	253.9	83,300 *	60.8	261.6	81,500 *										100
105				34.4	238.6	65,400 *	44.1	248.9	76,700 *	57.0	258.5	76,700 *										105
110				28.1	230.1	60,500 *	39.2	243.2	70,400 *	53.1	254.9	72,400 *										110
115				20.1	218.4	56,300 *	33.8	236.2	65,000 *	49.0	250.8	68,400 *										115
120				2.6	191.5	50,800 *	27.3	227.4	60,200 *	44.6	245.9	64,800 *	57.1	253.7	61,300							120
130										34.3	233.4	58,400 *	49.1	246.0	55,500							130
140										19.9	213.2	52,900 *	39.9	235.5	50,500	52.9	243.7	46,700				140
150													28.2	220.2	46,200	44.3	234.6	42,800				150
160													3.5	182.9	42,200	34.1	222.0	39,300	48.0	231.2	36,000 *	160
170																19.5	201.4	36,200	38.5	220.2	33,000 *	170
180																26.4	204.0	30,300 *	26.4	204.0	30,300 *	180



# Liftcrane Luffing Jib Capacities

Luffing Jib No. 133 or No. 133A On  
 Boom No. 44 With Heavy Lift Top  
 248,700 Lb. Crane Counterweight  
 120,000 Lb. Carbody Counterweight  
 360 Degree Rating

Designed And Tested  
 With The Intent To Be In  
 The Scope of ANSI B30.5

## M-250 SERIES 3

### 180 Ft. Boom, 100 Ft. Jib

Jib Oper. Rad. Feet	88 Degree Boom Angle			83 Degree Boom Angle			80 Degree Boom Angle			75 Degree Boom Angle			70 Degree Boom Angle			65 Degree Boom Angle			60 Degree Boom Angle			Jib Oper. Rad. Feet
	Jib Ang. Deg.	Jib Point Elev. Feet	Luffing Jib Capacity Pounds	Jib Ang. Deg.	Jib Point Elev. Feet	Luffing Jib Capacity Pounds	Jib Ang. Deg.	Jib Point Elev. Feet	Luffing Jib Capacity Pounds	Jib Ang. Deg.	Jib Point Elev. Feet	Luffing Jib Capacity Pounds	Jib Ang. Deg.	Jib Point Elev. Feet	Luffing Jib Capacity Pounds	Jib Ang. Deg.	Jib Point Elev. Feet	Luffing Jib Capacity Pounds	Jib Ang. Deg.	Jib Point Elev. Feet	Luffing Jib Capacity Pounds	
45	72.8	285.2	118,600 *b																			45
50	69.8	283.5	113,200 *b																			50
55	66.7	281.4	108,100 *b																			55
60	63.5	279.0	103,300 *																			60
65	60.2	276.2	98,900 *	70.3	282.4	106,300 *b																65
70	56.8	273.1	91,900 *	67.2	280.4	101,300 *b																70
75	53.3	269.5	83,300 *	64.0	278.1	96,600 *																75
80	49.6	265.4	76,000 *	60.8	275.4	92,200 *	66.8	278.7	102,000 *b													80
85	45.7	260.7	69,700 *	57.4	272.3	87,900 *	63.7	276.3	97,100 *													85
90	41.5	255.3	64,300 *	53.9	268.8	84,000 *	60.4	273.6	92,400 *													90
95	36.8	249.0	59,600 *	50.2	264.8	77,200 *	57.0	270.4	88,000 *													95
100	31.6	241.5	55,400 *	46.3	260.2	70,800 *	53.5	266.9	82,500 *													100
105	25.5	232.0	51,700 *	42.2	254.9	65,200 *	49.8	262.8	77,100 *	60.7	270.3	75,800 *										105
110	17.4	218.8	48,400 *	37.6	248.8	60,400 *	45.9	258.1	70,700 *	57.3	267.2	71,500 *										110
115				32.6	241.5	56,100 *	41.7	252.8	65,200 *	53.8	263.7	67,500 *										115
120				26.6	232.4	52,300 *	37.1	246.5	60,400 *	50.2	259.7	64,000 *										120
130				2.4	191.6	44,600 *	25.9	229.7	52,300 *	42.1	249.8	57,700 *	53.9	258.9	54,800							130
140										32.5	236.3	52,300 *	46.4	250.3	49,800							140
150										18.9	214.8	47,600 *	37.7	238.9	45,600	50.0	248.4	42,100				150
160													26.7	222.6	41,900	41.9	238.5	38,600				160
170													3.2	183.2	38,300 *	32.2	224.9	35,600	45.3	235.4	32,000 *	170
180																18.4	203.0	32,800	36.4	223.5	29,400 *	180
190																			24.9	206.2	27,000 *	190



# Liftcrane Luffing Jib Capacities

# M-250 SERIES 3

Luffing Jib No. 133 or No. 133A On  
 Boom No. 44 With Heavy Lift Top  
 248,700 Lb. Crane Counterweight  
 120,000 Lb. Carbody Counterweight  
 360 Degree Rating

Designed And Tested  
 With The Intent To Be In  
 The Scope of ANSI B30.5

## 180 Ft. Boom, 110 Ft. Jib

Jib Oper. Rad. Feet	88 Degree Boom Angle			83 Degree Boom Angle			80 Degree Boom Angle			75 Degree Boom Angle			70 Degree Boom Angle			65 Degree Boom Angle			60 Degree Boom Angle			Jib Oper. Rad. Feet
	Jib Ang. Deg.	Jib Point Elev. Feet	Luffing Jib Capacity Pounds	Jib Ang. Deg.	Jib Point Elev. Feet	Luffing Jib Capacity Pounds	Jib Ang. Deg.	Jib Point Elev. Feet	Luffing Jib Capacity Pounds	Jib Ang. Deg.	Jib Point Elev. Feet	Luffing Jib Capacity Pounds	Jib Ang. Deg.	Jib Point Elev. Feet	Luffing Jib Capacity Pounds	Jib Ang. Deg.	Jib Point Elev. Feet	Luffing Jib Capacity Pounds	Jib Ang. Deg.	Jib Point Elev. Feet	Luffing Jib Capacity Pounds	
45	74.4	295.7	113,000 *b																			45
50	71.7	294.1	108,100 *b																			50
55	68.9	292.3	103,500 *																			55
60	66.1	290.1	99,200 *																			60
65	63.2	287.7	95,000 *																			65
70	60.2	284.9	89,900 *	69.4	291.2	98,500 *b																70
75	57.1	281.8	84,400 *	66.5	289.1	94,100 *																75
80	53.9	278.3	78,200 *	63.7	286.7	90,000 *																80
85	50.6	274.3	71,700 *	60.7	284.0	86,000 *	66.2	287.4	94,500 *													85
90	47.1	269.8	66,100 *	57.6	281.0	82,300 *	63.3	285.0	90,100 *													90
95	43.4	264.7	61,200 *	54.5	277.5	78,700 *	60.4	282.2	86,000 *													95
100	39.4	258.9	56,900 *	51.2	273.6	72,800 *	57.3	279.1	81,800 *													100
105	35.0	252.2	53,100 *	47.7	269.2	67,000 *	54.1	275.6	76,900 *													105
110	30.1	244.2	49,700 *	44.0	264.3	62,100 *	50.8	271.7	72,200 *	60.6	278.9	70,700 *										110
115	24.3	234.1	46,600 *	40.1	258.6	57,700 *	47.3	267.2	66,600 *	57.6	275.9	66,800 *										115
120	16.6	220.2	43,800 *	35.8	252.0	53,800 *	43.6	262.2	61,600 *	54.4	272.4	63,200 *										120
130				25.3	234.7	47,100 *	35.3	249.7	53,500 *	47.7	264.1	57,000 *	57.7	271.1	54,200							130
140				2.2	191.8	38,100 *	24.6	231.9	46,900 *	40.0	253.5	51,700 *	51.2	263.7	49,300							140
150										30.9	239.1	47,000 *	44.1	254.4	45,100							150
160										18.0	216.4	42,900 *	35.9	242.2	41,400 *	47.5	252.8	38,100				160
170													25.4	224.8	37,900 *	39.9	242.1	35,100				170
180													3.0	183.3	34,600 *	30.7	227.6	32,400	43.1	239.4	28,700 *	180
190																17.6	204.6	30,000	34.7	226.7	26,400 *	190
200																			23.7	208.3	24,200 *	200



# Liftcrane Luffing Jib Capacities

Luffing Jib No. 133 or No. 133A On  
 Boom No. 44 With Heavy Lift Top  
 248,700 Lb. Crane Counterweight  
 120,000 Lb. Carbody Counterweight  
 360 Degree Rating

Designed And Tested  
 With The Intent To Be In  
 The Scope of ANSI B30.5

## M-250 SERIES 3

### 180 Ft. Boom, 120 Ft. Jib

Jib Oper. Rad. Feet	88 Degree Boom Angle			83 Degree Boom Angle			80 Degree Boom Angle			75 Degree Boom Angle			70 Degree Boom Angle			65 Degree Boom Angle			60 Degree Boom Angle			Jib Oper. Rad. Feet
	Jib Ang. Deg.	Jib Point Elev. Feet	Luffing Jib Capacity Pounds	Jib Ang. Deg.	Jib Point Elev. Feet	Luffing Jib Capacity Pounds	Jib Ang. Deg.	Jib Point Elev. Feet	Luffing Jib Capacity Pounds	Jib Ang. Deg.	Jib Point Elev. Feet	Luffing Jib Capacity Pounds	Jib Ang. Deg.	Jib Point Elev. Feet	Luffing Jib Capacity Pounds	Jib Ang. Deg.	Jib Point Elev. Feet	Luffing Jib Capacity Pounds	Jib Ang. Deg.	Jib Point Elev. Feet	Luffing Jib Capacity Pounds	
45	75.7	306.1	106,000 *b																			45
50	73.3	304.6	102,700 *b																			50
55	70.7	303.0	98,900 *																			55
60	68.2	301.0	94,700 *																			60
65	65.6	298.8	90,200 *																			65
70	62.9	296.3	85,500 *																			70
75	60.2	293.6	80,800 *	68.6	300.0	90,800 *																75
80	57.4	290.5	76,100 *	66.0	297.8	87,000 *																80
85	54.5	287.0	71,300 *	63.4	295.4	83,400 *																85
90	51.4	283.1	65,700 *	60.6	292.7	79,900 *	65.7	296.1	88,200 *													90
95	48.3	278.8	60,800 *	57.8	289.6	76,600 *	63.0	293.6	84,400 *													95
100	45.0	274.0	56,500 *	55.0	286.2	72,400 *	60.3	290.9	80,700 *													100
105	41.4	268.6	52,700 *	52.0	282.4	66,700 *	57.5	287.8	76,700 *													105
110	37.6	262.4	49,300 *	48.8	278.2	61,700 *	54.6	284.3	71,800 *													110
115	33.5	255.2	46,200 *	45.5	273.5	57,300 *	51.6	280.5	66,200 *	60.6	287.6	66,300 *										115
120	28.8	246.7	43,400 *	42.1	268.2	53,400 *	48.5	276.2	61,200 *	57.8	284.6	62,800 *										120
130	15.8	221.6	38,500 *	34.2	255.1	46,700 *	41.6	266.0	53,000 *	51.9	277.3	56,500 *										130
140				24.2	236.8	41,300 *	33.7	252.8	46,500 *	45.5	268.4	51,100 *	55.0	276.3	48,700							140
150				2.1	191.9	33,700 *	23.5	234.0	41,100 *	38.2	257.0	46,500 *	48.9	268.3	44,500							150
160										29.5	241.7	42,500 *	42.1	258.3	40,700 *	51.8	266.1	37,400				160
170										17.2	217.9	38,900 *	34.3	245.3	37,300 *	45.3	257.1	34,400				170
180													24.3	227.0	34,300 *	38.1	245.6	31,800	48.0	253.5	27,900 *	180
190													2.9	183.5	31,300 *	29.3	230.2	29,400	41.1	243.1	25,600 *	190
200																16.8	206.0	27,300 *	33.1	229.6	23,500 *	200
210																			22.7	210.2	21,600 *	210





# Liftcrane Luffing Jib Capacities

# M-250 SERIES 3

Luffing Jib No. 133 or No. 133A On  
 Boom No. 44 With Heavy Lift Top  
 248,700 Lb. Crane Counterweight  
 120,000 Lb. Carbody Counterweight  
 360 Degree Rating

Designed And Tested  
 With The Intent To Be In  
 The Scope of ANSI B30.5

## 180 Ft. Boom, 130 Ft. Jib

Jib Oper. Rad. Feet	88 Degree Boom Angle			83 Degree Boom Angle			80 Degree Boom Angle			75 Degree Boom Angle			70 Degree Boom Angle			65 Degree Boom Angle			60 Degree Boom Angle			Jib Oper. Rad. Feet
	Jib Ang. Deg.	Jib Point Elev. Feet	Luffing Jib Capacity Pounds	Jib Ang. Deg.	Jib Point Elev. Feet	Luffing Jib Capacity Pounds	Jib Ang. Deg.	Jib Point Elev. Feet	Luffing Jib Capacity Pounds	Jib Ang. Deg.	Jib Point Elev. Feet	Luffing Jib Capacity Pounds	Jib Ang. Deg.	Jib Point Elev. Feet	Luffing Jib Capacity Pounds	Jib Ang. Deg.	Jib Point Elev. Feet	Luffing Jib Capacity Pounds	Jib Ang. Deg.	Jib Point Elev. Feet	Luffing Jib Capacity Pounds	
50	74.6	315.1	95,100 *b																			50
55	72.3	313.5	92,100 *																			55
60	69.9	311.8	88,700 *																			60
65	67.6	309.8	85,000 *																			65
70	65.1	307.5	81,100 *																			70
75	62.7	305.0	77,100 *	70.3	310.7	87,600 *																75
80	60.2	302.2	73,000 *	68.0	308.8	84,200 *																80
85	57.6	299.1	68,900 *	65.6	306.5	80,800 *																85
90	54.9	295.7	64,900 *	63.1	304.1	77,700 *	67.7	307.0	85,600 *													90
95	52.1	291.9	60,700 *	60.6	301.3	74,600 *	65.3	304.8	82,100 *													95
100	49.3	287.8	56,400 *	58.0	298.3	71,600 *	62.8	302.3	78,700 *													100
105	46.3	283.1	52,600 *	55.4	294.9	66,600 *	60.3	299.5	75,400 *													105
110	43.1	278.0	49,100 *	52.6	291.2	61,500 *	57.7	296.5	71,700 *													110
115	39.7	272.2	46,100 *	49.8	287.1	57,100 *	55.0	293.1	66,100 *													115
120	36.1	265.6	43,300 *	46.8	282.6	53,200 *	52.3	289.3	61,100 *	60.5	296.3	62,400 *										120
130	27.6	249.2	38,400 *	40.3	271.9	46,600 *	46.4	280.6	52,900 *	55.3	289.9	56,100 *										130
140	15.2	222.9	34,300 *	32.8	258.1	41,200 *	39.9	269.7	46,300 *	49.7	282.0	50,800 *	58.0	288.4	48,400							140
150				23.2	238.8	36,700 *	32.3	255.7	41,000 *	43.6	272.4	46,200 *	52.6	281.4	44,200 *							150
160				2.0	192.0	30,100 *	22.6	236.0	36,500 *	36.7	260.3	42,300 *	46.8	272.7	40,400 *							160
170										28.3	244.3	38,700 *	40.3	262.0	37,000 *	49.6	270.8	34,200				170
180										16.5	219.3	34,800 *	32.8	248.2	34,100 *	43.4	261.1	31,600				180
190													23.3	229.0	31,300 *	36.5	248.9	29,200	46.0	257.8	25,200 *	190
200													2.7	183.7	28,700 *	28.1	232.7	27,100 *	39.4	246.8	23,200 *	200
210																16.1	207.4	25,000 *	31.8	232.5	21,300 *	210
220																			21.8	212.2	19,600 *	220



# Liftcrane Luffing Jib Capacities

Luffing Jib No. 133 or No. 133A On  
 Boom No. 44 With Heavy Lift Top  
 248,700 Lb. Crane Counterweight  
 120,000 Lb. Carbody Counterweight  
 360 Degree Rating

Designed And Tested  
 With The Intent To Be In  
 The Scope of ANSI B30.5

## M-250 SERIES 3

### 180 Ft. Boom, 140 Ft. Jib

Jib Oper. Rad. Feet	88 Degree Boom Angle			83 Degree Boom Angle			80 Degree Boom Angle			75 Degree Boom Angle			70 Degree Boom Angle			65 Degree Boom Angle			60 Degree Boom Angle			Jib Oper. Rad. Feet
	Jib Ang. Deg.	Jib Point Elev. Feet	Luffing Jib Capacity Pounds	Jib Ang. Deg.	Jib Point Elev. Feet	Luffing Jib Capacity Pounds	Jib Ang. Deg.	Jib Point Elev. Feet	Luffing Jib Capacity Pounds	Jib Ang. Deg.	Jib Point Elev. Feet	Luffing Jib Capacity Pounds	Jib Ang. Deg.	Jib Point Elev. Feet	Luffing Jib Capacity Pounds	Jib Ang. Deg.	Jib Point Elev. Feet	Luffing Jib Capacity Pounds	Jib Ang. Deg.	Jib Point Elev. Feet	Luffing Jib Capacity Pounds	
50	75.7	325.4	87,700 *b																			50
55	73.6	324.0	85,300 *																			55
60	71.4	322.4	82,600 *																			60
65	69.3	320.6	79,600 *																			65
70	67.0	318.5	76,400 *																			70
75	64.8	316.2	73,100 *																			75
80	62.5	313.7	69,600 *	69.6	319.5	81,600 *																80
85	60.1	310.9	66,100 *	67.4	317.5	78,600 *																85
90	57.7	307.8	62,600 *	65.2	315.2	75,700 *																90
95	55.3	304.4	59,100 *	62.9	312.8	72,800 *	67.2	315.8	79,400 *													95
100	52.7	300.7	55,700 *	60.5	310.0	70,000 *	64.9	313.5	76,300 *													100
105	50.1	296.7	52,400 *	58.2	307.0	66,800 *	62.6	311.0	73,300 *													105
110	47.3	292.2	49,100 *	55.7	303.7	61,700 *	60.3	308.2	70,400 *													110
115	44.5	287.3	45,900 *	53.2	300.0	57,200 *	57.9	305.1	66,300 *													115
120	41.4	281.8	43,100 *	50.5	296.0	53,200 *	55.4	301.8	61,200 *	62.8	307.7	61,500 *										120
130	34.7	268.8	38,200 *	45.0	286.8	46,500 *	50.2	294.0	52,900 *	58.1	301.9	55,300 *										130
140	26.6	251.5	34,000 *	38.8	275.4	41,000 *	44.6	284.7	46,200 *	53.1	294.9	50,000 *										140
150	14.6	224.1	30,300 *	31.6	260.9	36,400 *	38.4	273.2	40,800 *	47.8	286.5	45,500 *	55.7	293.8	43,400 *							150
160				22.4	240.8	32,600 *	31.1	258.5	36,300 *	41.9	276.3	41,500 *	50.6	286.1	39,600 *							160
170				1.9	192.1	26,800 *	21.7	237.9	32,400 *	35.3	263.5	38,100 *	45.0	276.9	36,200 *	53.0	283.7	33,500				170
180										27.3	246.7	34,500 *	38.8	265.5	33,300 *	47.6	275.2	30,900				180
190										15.8	220.6	30,900 *	31.6	251.1	30,600 *	41.8	264.9	28,600 *				190
200													22.4	231.0	28,200 *	35.1	252.1	26,400 *	44.2	261.9	22,300 *	200
210													2.6	183.9	25,800 *	27.1	235.1	24,300 *	37.9	250.2	20,500 *	210
220																15.5	208.7	22,400 *	30.6	235.2	18,800 *	220
230																			20.9	214.0	17,200 *	230



# Liftcrane Luffing Jib Capacities

# M-250 SERIES 3

Luffing Jib No. 133 or No. 133A On  
 Boom No. 44 With Heavy Lift Top  
 248,700 Lb. Crane Counterweight  
 120,000 Lb. Carbody Counterweight  
 360 Degree Rating

Designed And Tested  
 With The Intent To Be In  
 The Scope of ANSI B30.5

## 180 Ft. Boom, 150 Ft. Jib

Jib Oper. Rad. Feet	88 Degree Boom Angle			83 Degree Boom Angle			80 Degree Boom Angle			75 Degree Boom Angle			70 Degree Boom Angle			65 Degree Boom Angle			60 Degree Boom Angle			Jib Oper. Rad. Feet
	Jib Ang. Deg.	Jib Point Elev. Feet	Luffing Jib Capacity Pounds	Jib Ang. Deg.	Jib Point Elev. Feet	Luffing Jib Capacity Pounds	Jib Ang. Deg.	Jib Point Elev. Feet	Luffing Jib Capacity Pounds	Jib Ang. Deg.	Jib Point Elev. Feet	Luffing Jib Capacity Pounds	Jib Ang. Deg.	Jib Point Elev. Feet	Luffing Jib Capacity Pounds	Jib Ang. Deg.	Jib Point Elev. Feet	Luffing Jib Capacity Pounds	Jib Ang. Deg.	Jib Point Elev. Feet	Luffing Jib Capacity Pounds	
55	74.7	334.4	79,000 *																			55
60	72.7	332.9	76,900 *																			60
65	70.7	331.2	74,400 *																			65
70	68.7	329.3	71,800 *																			70
75	66.6	327.2	69,000 *																			75
80	64.5	324.9	66,100 *	71.0	330.2	78,600 *																80
85	62.3	322.3	63,100 *	69.0	328.3	75,800 *																85
90	60.1	319.5	60,000 *	66.9	326.2	73,100 *																90
95	57.9	316.5	57,000 *	64.8	323.9	70,500 *																95
100	55.6	313.1	54,000 *	62.7	321.4	68,000 *	66.7	324.5	74,000 *													100
105	53.2	309.5	51,100 *	60.5	318.7	65,500 *	64.6	322.2	71,200 *													105
110	50.8	305.5	48,200 *	58.3	315.6	62,200 *	62.4	319.6	68,600 *													110
115	48.3	301.2	45,400 *	56.0	312.4	57,700 *	60.3	316.9	65,900 *													115
120	45.6	296.4	42,800 *	53.6	308.8	53,600 *	58.0	313.8	61,700 *													120
130	40.0	285.4	38,000 *	48.7	300.6	46,800 *	53.4	306.9	53,300 *	60.5	313.6	54,600 *										130
140	33.5	271.8	33,700 *	43.3	290.8	41,300 *	48.4	298.6	46,500 *	56.0	307.3	49,300 *										140
150	25.6	253.8	30,000 *	37.4	278.8	36,700 *	43.0	288.7	41,000 *	51.2	299.8	44,800 *										150
160	14.1	225.3	26,300 *	30.4	263.6	32,800 *	37.0	276.5	36,500 *	46.0	290.8	40,900 *	53.7	298.9	38,800 *							160
170				21.6	242.7	29,400 *	30.0	261.2	32,600 *	40.4	280.0	37,400 *	48.7	290.7	35,500 *							170
180				1.8	192.2	22,900 *	21.0	239.7	29,300 *	34.0	266.6	34,300 *	43.4	280.9	32,600 *	51.1	288.5	30,400 *				180
190										26.3	249.0	31,100 *	37.4	268.9	30,000 *	45.9	279.5	27,900 *				190
200										15.3	222.0	28,000 *	30.5	253.8	27,600 *	40.3	268.6	25,700 *				200
210													21.6	232.9	25,400 *	33.9	255.1	23,600 *	42.6	265.8	19,800 *	210
220													2.5	184.1	23,300 *	26.1	237.5	21,800 *	36.6	253.5	18,100 *	220
230																14.9	210.0	20,000 *	29.5	237.9	16,600 *	230
240																			20.2	215.8	15,200 *	240



# Liftcrane Luffing Jib Capacities

Luffing Jib No. 133 or No. 133A On  
 Boom No. 44 With Heavy Lift Top  
 248,700 Lb. Crane Counterweight  
 120,000 Lb. Carbody Counterweight  
 360 Degree Rating

Designed And Tested  
 With The Intent To Be In  
 The Scope of ANSI B30.5

## M-250 SERIES 3

### 180 Ft. Boom, 160 Ft. Jib

Jib Oper. Rad. Feet	88 Degree Boom Angle			83 Degree Boom Angle			80 Degree Boom Angle			75 Degree Boom Angle			70 Degree Boom Angle			65 Degree Boom Angle			60 Degree Boom Angle			Jib Oper. Rad. Feet
	Jib Ang. Deg.	Jib Point Elev. Feet	Luffing Jib Capacity Pounds	Jib Ang. Deg.	Jib Point Elev. Feet	Luffing Jib Capacity Pounds	Jib Ang. Deg.	Jib Point Elev. Feet	Luffing Jib Capacity Pounds	Jib Ang. Deg.	Jib Point Elev. Feet	Luffing Jib Capacity Pounds	Jib Ang. Deg.	Jib Point Elev. Feet	Luffing Jib Capacity Pounds	Jib Ang. Deg.	Jib Point Elev. Feet	Luffing Jib Capacity Pounds	Jib Ang. Deg.	Jib Point Elev. Feet	Luffing Jib Capacity Pounds	
55	75.7	344.8	73,000 *																			55
60	73.8	343.4	71,300 *																			60
65	71.9	341.8	69,300 *																			65
70	70.0	340.1	67,200 *																			70
75	68.1	338.1	64,900 *																			75
80	66.2	335.9	62,400 *																			80
85	64.2	333.6	59,900 *	70.4	339.0	72,800 *																85
90	62.2	331.0	57,300 *	68.5	337.1	70,400 *																90
95	60.1	328.2	54,700 *	66.5	335.0	67,900 *																95
100	58.0	325.1	52,000 *	64.5	332.6	65,600 *																100
105	55.9	321.8	49,400 *	62.5	330.1	63,400 *	66.3	333.2	69,500 *													105
110	53.7	318.2	46,900 *	60.5	327.3	61,200 *	64.3	330.9	67,100 *													110
115	51.4	314.4	44,400 *	58.4	324.3	57,100 *	62.3	328.3	64,700 *													115
120	49.1	310.1	42,000 *	56.2	321.1	53,100 *	60.2	325.5	61,200 *													120
130	44.1	300.5	37,400 *	51.8	313.7	46,300 *	56.0	319.2	52,700 *	62.5	325.0	54,200 *										130
140	38.6	289.0	33,400 *	47.0	305.0	40,700 *	51.5	311.7	46,000 *	58.4	319.2	48,900 *										140
150	32.4	274.7	29,800 *	41.9	294.6	36,100 *	46.8	302.9	40,500 *	54.0	312.4	44,300 *										150
160	24.8	256.0	26,700 *	36.1	282.1	32,200 *	41.6	292.5	35,900 *	49.4	304.4	40,400 *	56.3	311.2	38,200 *							160
170	13.6	226.5	23,200 *	29.4	266.3	28,900 *	35.8	279.8	32,100 *	44.5	294.9	36,900 *	51.8	303.8	34,900 *							170
180				20.9	244.5	26,000 *	29.0	263.7	28,800 *	39.1	283.5	33,800 *	47.1	295.1	32,000 *							180
190				1.7	192.3	20,300 *	20.3	241.5	25,900 *	32.9	269.5	30,600 *	41.9	284.7	29,400 *	49.3	293.1	27,200 *				190
200										25.4	251.3	27,500 *	36.2	272.2	27,000 *	44.4	283.6	25,000 *				200
210										14.8	223.2	24,800 *	29.5	256.4	24,900 *	38.9	272.2	23,000 *	46.4	280.2	19,000 *	210
220													20.9	234.7	22,900 *	32.7	258.1	21,100 *	41.2	269.6	17,300 *	220
230													2.4	184.2	20,900 *	25.2	239.7	19,400 *	35.4	256.7	15,900 *	230
240																14.4	211.3	17,800 *	28.5	240.4	14,500 *	240
250																19.5	217.5	13,200 *	19.5	217.5	13,200 *	250



# Liftcrane Luffing Jib Capacities

# M-250 SERIES 3

Luffing Jib No. 133 or No. 133A On  
 Boom No. 44 With Heavy Lift Top  
 248,700 Lb. Crane Counterweight  
 120,000 Lb. Carbody Counterweight  
 360 Degree Rating

Designed And Tested  
 With The Intent To Be In  
 The Scope of ANSI B30.5

## 180 Ft. Boom, 170 Ft. Jib

Jib Oper. Rad. Feet	88 Degree Boom Angle			83 Degree Boom Angle			80 Degree Boom Angle			75 Degree Boom Angle			70 Degree Boom Angle			65 Degree Boom Angle			60 Degree Boom Angle			Jib Oper. Rad. Feet
	Jib Ang. Deg.	Jib Point Elev. Feet	Luffing Jib Capacity Pounds	Jib Ang. Deg.	Jib Point Elev. Feet	Luffing Jib Capacity Pounds	Jib Ang. Deg.	Jib Point Elev. Feet	Luffing Jib Capacity Pounds	Jib Ang. Deg.	Jib Point Elev. Feet	Luffing Jib Capacity Pounds	Jib Ang. Deg.	Jib Point Elev. Feet	Luffing Jib Capacity Pounds	Jib Ang. Deg.	Jib Point Elev. Feet	Luffing Jib Capacity Pounds	Jib Ang. Deg.	Jib Point Elev. Feet	Luffing Jib Capacity Pounds	
60	74.8	353.8	66,100 *																			60
65	73.0	352.3	64,500 *																			65
70	71.3	350.7	62,700 *																			70
75	69.5	348.9	60,900 *																			75
80	67.7	346.8	58,900 *																			80
85	65.8	344.7	56,700 *																			85
90	64.0	342.3	54,500 *	69.8	347.8	67,600 *																90
95	62.1	339.7	52,300 *	68.0	345.8	65,600 *																95
100	60.1	336.9	50,000 *	66.1	343.7	63,400 *																100
105	58.1	333.8	47,700 *	64.3	341.3	61,400 *	67.8	344.1	67,000 *													105
110	56.1	330.5	45,400 *	62.4	338.8	59,400 *	65.9	341.9	64,900 *													110
115	54.1	327.0	43,200 *	60.4	336.0	56,800 *	64.1	339.6	62,700 *													115
120	51.9	323.2	41,000 *	58.5	333.0	52,800 *	62.2	337.0	60,500 *													120
130	47.5	314.6	36,800 *	54.4	326.2	46,000 *	58.3	331.1	52,400 *													130
140	42.7	304.4	33,000 *	50.1	318.4	40,400 *	54.2	324.3	45,700 *	60.4	330.9	48,500 *										140
150	37.4	292.4	29,600 *	45.6	309.2	35,800 *	49.9	316.4	40,200 *	56.4	324.7	43,900 *										150
160	31.4	277.5	26,500 *	40.6	298.3	31,900 *	45.3	307.1	35,600 *	52.3	317.4	40,000 *										160
170	24.0	258.1	23,900 *	35.0	285.2	28,600 *	40.3	296.2	31,800 *	47.8	308.9	36,500 *	54.4	316.4	34,500 *							170
180	13.2	227.6	20,600 *	28.5	268.8	25,700 *	34.7	282.9	28,500 *	43.1	298.9	33,500 *	50.2	308.5	31,600 *							180
190				20.2	246.3	23,200 *	28.1	266.2	25,600 *	37.8	287.0	30,200 *	45.6	299.3	29,000 *	52.2	306.1	26,800 *				190
200				1.7	192.4	18,000 *	19.6	243.2	23,100 *	31.9	272.4	27,200 *	40.6	288.5	26,600 *	47.7	297.6	24,600 *				200
210										24.7	253.4	24,500 *	35.0	275.4	24,500 *	43.0	287.5	22,600 *				210
220										14.3	224.5	22,100 *	28.6	259.0	22,600 *	37.7	275.6	20,800 *	45.0	284.4	17,000 *	220
230													20.3	236.5	20,800 *	31.7	260.9	19,100 *	39.9	273.3	15,500 *	230
240													2.3	184.4	19,000 *	24.5	241.8	17,500 *	34.3	259.8	14,100 *	240
250																14.0	212.5	16,100 *	27.6	242.9	12,900 *	250
260																18.9	219.1	11,700 *				260



# Liftcrane Luffing Jib Capacities

Luffing Jib No. 133 or No. 133A On  
 Boom No. 44 With Heavy Lift Top  
 248,700 Lb. Crane Counterweight  
 120,000 Lb. Carbody Counterweight  
 360 Degree Rating

Designed And Tested  
 With The Intent To Be In  
 The Scope of ANSI B30.5

## M-250 SERIES 3

### 180 Ft. Boom, 180 Ft. Jib

Jib Oper. Rad. Feet	88 Degree Boom Angle			83 Degree Boom Angle			80 Degree Boom Angle			75 Degree Boom Angle			70 Degree Boom Angle			65 Degree Boom Angle			60 Degree Boom Angle			Jib Oper. Rad. Feet
	Jib Ang. Deg.	Jib Point Elev. Feet	Luffing Jib Capacity Pounds	Jib Ang. Deg.	Jib Point Elev. Feet	Luffing Jib Capacity Pounds	Jib Ang. Deg.	Jib Point Elev. Feet	Luffing Jib Capacity Pounds	Jib Ang. Deg.	Jib Point Elev. Feet	Luffing Jib Capacity Pounds	Jib Ang. Deg.	Jib Point Elev. Feet	Luffing Jib Capacity Pounds	Jib Ang. Deg.	Jib Point Elev. Feet	Luffing Jib Capacity Pounds	Jib Ang. Deg.	Jib Point Elev. Feet	Luffing Jib Capacity Pounds	
60	75.7	364.2	61,100 *																			60
65	74.0	362.8	59,800 *																			65
70	72.4	361.2	58,300 *																			70
75	70.7	359.5	56,800 *																			75
80	69.0	357.6	55,100 *																			80
85	67.2	355.6	53,400 *																			85
90	65.5	353.4	51,600 *	71.0	358.5	63,100 *																90
95	63.7	350.9	49,700 *	69.3	356.6	62,500 *																95
100	61.9	348.3	47,700 *	67.5	354.6	60,900 *																100
105	60.1	345.5	45,700 *	65.8	352.4	59,100 *																105
110	58.3	342.5	43,700 *	64.0	350.0	57,200 *	67.3	352.9	62,300 *													110
115	56.4	339.2	41,700 *	62.2	347.4	55,400 *	65.6	350.6	60,400 *													115
120	54.4	335.7	39,800 *	60.4	344.6	52,300 *	63.8	348.2	58,500 *													120
130	50.4	327.9	36,000 *	56.7	338.4	45,400 *	60.2	342.8	51,900 *													130
140	46.1	318.8	32,500 *	52.8	331.2	39,900 *	56.5	336.6	45,100 *	62.2	342.3	47,600 *										140
150	41.4	308.2	29,200 *	48.6	322.9	35,300 *	52.5	329.3	39,600 *	58.5	336.6	43,100 *										150
160	36.3	295.7	26,300 *	44.2	313.3	31,400 *	48.4	320.9	35,100 *	54.7	329.9	39,200 *										160
170	30.5	280.2	23,700 *	39.4	301.9	28,100 *	43.9	311.2	31,200 *	50.7	322.1	35,800 *	56.7	328.5	33,700 *							170
180	23.3	260.2	21,300 *	34.0	288.3	25,200 *	39.1	299.7	27,900 *	46.4	313.2	32,700 *	52.8	321.4	30,800 *							180
190	12.8	228.7	18,100 *	27.7	271.3	22,700 *	33.7	285.9	25,100 *	41.8	302.7	29,700 *	48.6	313.1	28,200 *							190
200				19.6	248.0	20,500 *	27.3	268.7	22,600 *	36.7	290.3	26,600 *	44.2	303.4	25,900 *	50.6	310.9	23,700 *				200
210				1.6	192.5	15,800 *	19.1	244.9	20,400 *	30.9	275.2	23,900 *	39.4	292.1	23,800 *	46.3	301.9	21,700 *				210
220										23.9	255.6	21,600 *	34.0	278.4	21,900 *	41.7	291.4	20,000 *				220
230										13.9	225.7	19,500 *	27.7	261.4	20,100 *	36.6	278.9	18,300 *	43.6	288.4	14,600 *	230
240													19.7	238.2	18,500 *	30.8	263.7	16,800 *	38.7	276.8	13,300 *	240
250													2.2	184.5	16,800 *	23.8	243.9	15,400 *	33.3	262.8	12,100 *	250
260																13.6	213.6	14,000 *	26.8	245.2	10,900 *	260
270																			18.4	220.7	9,800 *	270



# Liftcrane Luffing Jib Capacities

# M-250 SERIES 3

Luffing Jib No. 133 or No. 133A On  
 Boom No. 44 With Heavy Lift Top  
 248,700 Lb. Crane Counterweight  
 120,000 Lb. Carbody Counterweight  
 360 Degree Rating

Designed And Tested  
 With The Intent To Be In  
 The Scope of ANSI B30.5

## 180 Ft. Boom, 190 Ft. Jib

Jib Oper. Rad. Feet	88 Degree Boom Angle			83 Degree Boom Angle			80 Degree Boom Angle			75 Degree Boom Angle			70 Degree Boom Angle			65 Degree Boom Angle			60 Degree Boom Angle			Jib Oper. Rad. Feet
	Jib Ang. Deg.	Jib Point Elev. Feet	Luffing Jib Capacity Pounds	Jib Ang. Deg.	Jib Point Elev. Feet	Luffing Jib Capacity Pounds	Jib Ang. Deg.	Jib Point Elev. Feet	Luffing Jib Capacity Pounds	Jib Ang. Deg.	Jib Point Elev. Feet	Luffing Jib Capacity Pounds	Jib Ang. Deg.	Jib Point Elev. Feet	Luffing Jib Capacity Pounds	Jib Ang. Deg.	Jib Point Elev. Feet	Luffing Jib Capacity Pounds	Jib Ang. Deg.	Jib Point Elev. Feet	Luffing Jib Capacity Pounds	
65	74.9	373.2	55,200 *																			65
70	73.3	371.7	54,000 *																			70
75	71.7	370.1	52,800 *																			75
80	70.1	368.3	51,500 *																			80
85	68.5	366.4	50,000 *																			85
90	66.9	364.3	48,500 *																			90
95	65.2	362.1	46,900 *	70.4	367.3	57,400 *																95
100	63.5	359.6	45,300 *	68.8	365.4	56,900 *																100
105	61.8	357.0	43,600 *	67.2	363.3	55,700 *																105
110	60.1	354.2	41,900 *	65.5	361.1	54,000 *																110
115	58.3	351.2	40,200 *	63.8	358.7	52,200 *	67.0	361.6	57,400 *													115
120	56.6	347.9	38,500 *	62.1	356.1	50,300 *	65.3	359.3	56,500 *													120
130	52.8	340.7	35,100 *	58.6	350.3	45,600 *	61.9	354.3	52,300 *													130
140	48.9	332.5	31,900 *	55.0	343.7	39,900 *	58.4	348.5	45,300 *													140
150	44.8	323.0	28,900 *	51.2	336.1	35,200 *	54.8	341.8	39,700 *	60.4	348.2	42,400 *										150
160	40.3	311.9	26,100 *	47.2	327.3	31,200 *	51.0	334.1	35,000 *	56.8	342.0	38,500 *										160
170	35.3	298.8	23,400 *	42.9	317.2	27,900 *	47.0	325.3	31,100 *	53.1	334.9	35,100 *										170
180	29.6	282.9	21,000 *	38.3	305.4	24,900 *	42.7	315.1	27,700 *	49.2	326.8	32,100 *	55.0	333.8	30,100 *							180
190	22.7	262.2	18,900 *	33.0	291.3	22,400 *	38.0	303.2	24,800 *	45.1	317.4	29,400 *	51.3	326.2	27,500 *							190
200	12.5	229.8	15,900 *	26.9	273.7	20,100 *	32.7	288.9	22,300 *	40.6	306.4	26,400 *	47.3	317.5	25,200 *							200
210				19.1	249.7	18,100 *	26.6	271.0	20,000 *	35.7	293.5	23,700 *	43.0	307.4	23,100 *	49.1	315.5	21,100 *				210
220				1.5	192.6	13,800 *	18.6	246.5	18,100 *	30.1	277.8	21,300 *	38.3	295.5	21,300 *	45.0	306.0	19,300 *				220
230										23.3	257.6	19,100 *	33.1	281.4	19,500 *	40.5	295.1	17,700 *	46.7	302.6	13,900 *	230
240										13.5	226.8	17,200 *	27.0	263.8	17,900 *	35.6	282.1	16,200 *	42.4	292.3	12,600 *	240
250													19.1	239.9	16,400 *	30.0	266.4	14,800 *	37.7	280.2	11,400 *	250
260													2.2	184.7	14,900 *	23.1	246.0	13,500 *	32.3	265.7	10,300 *	260
270																13.2	214.8	12,200 *	26.1	247.5	9,200 *	270
280																			17.9	222.3	8,200 *	280



# Liftcrane Luffing Jib Capacities

Luffing Jib No. 133 or No. 133A On  
 Boom No. 44 With Heavy Lift Top  
 248,700 Lb. Crane Counterweight  
 120,000 Lb. Carbody Counterweight  
 360 Degree Rating

Designed And Tested  
 With The Intent To Be In  
 The Scope of ANSI B30.5

## M-250 SERIES 3

### 180 Ft. Boom, 200 Ft. Jib

Jib Oper. Rad. Feet	88 Degree Boom Angle			83 Degree Boom Angle			80 Degree Boom Angle			75 Degree Boom Angle			70 Degree Boom Angle			65 Degree Boom Angle			60 Degree Boom Angle			Jib Oper. Rad. Feet
	Jib Ang. Deg.	Jib Point Elev. Feet	Luffing Jib Capacity Pounds	Jib Ang. Deg.	Jib Point Elev. Feet	Luffing Jib Capacity Pounds	Jib Ang. Deg.	Jib Point Elev. Feet	Luffing Jib Capacity Pounds	Jib Ang. Deg.	Jib Point Elev. Feet	Luffing Jib Capacity Pounds	Jib Ang. Deg.	Jib Point Elev. Feet	Luffing Jib Capacity Pounds	Jib Ang. Deg.	Jib Point Elev. Feet	Luffing Jib Capacity Pounds	Jib Ang. Deg.	Jib Point Elev. Feet	Luffing Jib Capacity Pounds	
65	75.7	383.5	51,000 *																			65
70	74.2	382.2	50,000 *																			70
75	72.7	380.6	49,000 *																			75
80	71.2	379.0	47,900 *																			80
85	69.6	377.1	46,700 *																			85
90	68.1	375.2	45,500 *																			90
95	66.5	373.0	44,200 *																			95
100	65.0	370.8	42,800 *	69.9	376.1	52,300 *																100
105	63.4	368.3	41,400 *	68.4	374.2	51,400 *																105
110	61.7	365.7	39,900 *	66.8	372.1	49,800 *																110
115	60.1	362.8	38,400 *	65.2	369.8	48,100 *																115
120	58.4	359.8	36,900 *	63.6	367.4	46,300 *	66.6	370.3	51,300 *													120
130	55.0	353.2	34,000 *	60.4	362.0	42,500 *	63.5	365.6	47,300 *													130
140	51.4	345.6	31,000 *	57.0	355.8	38,800 *	60.2	360.2	43,300 *													140
150	47.6	336.9	28,300 *	53.5	348.8	34,600 *	56.8	353.9	39,100 *	62.0	359.7	42,300 *										150
160	43.6	327.0	25,500 *	49.8	340.8	30,700 *	53.3	346.9	34,400 *	58.7	353.9	38,300 *										160
170	39.2	315.5	22,800 *	46.0	331.6	27,300 *	49.6	338.8	30,500 *	55.3	347.3	34,800 *										170
180	34.4	301.9	20,500 *	41.8	321.1	24,400 *	45.7	329.6	27,200 *	51.7	339.8	31,700 *	57.0	345.9	29,600 *							180
190	28.8	285.5	18,400 *	37.3	308.8	21,800 *	41.5	318.9	24,300 *	47.9	331.2	29,000 *	53.5	338.9	27,000 *							190
200	22.1	264.1	16,500 *	32.2	294.2	19,600 *	37.0	306.5	21,700 *	43.9	321.4	25,800 *	49.9	330.9	24,700 *							200
210	12.1	230.9	13,800 *	26.2	276.0	17,600 *	31.9	291.7	19,500 *	39.5	310.0	23,100 *	46.0	321.7	22,600 *	51.6	328.5	20,400 *				210
220				18.6	251.3	15,800 *	25.9	273.3	17,500 *	34.8	296.7	20,700 *	41.8	311.2	20,700 *	47.8	319.9	18,600 *				220
230				1.5	192.6	11,900 *	18.1	248.1	15,700 *	29.3	280.5	18,600 *	37.3	298.9	19,000 *	43.8	310.1	17,000 *				230
240										22.7	259.6	16,700 *	32.2	284.3	17,400 *	39.4	298.7	15,500 *	45.5	306.8	11,900 *	240
250										13.2	228.0	15,000 *	26.3	266.2	15,900 *	34.6	285.3	14,100 *	41.2	296.1	10,700 *	250
260													18.6	241.5	14,500 *	29.2	269.0	12,900 *	36.7	283.5	9,500 *	260
270													2.1	184.8	13,100 *	22.5	248.0	11,700 *	31.5	268.5	8,500 *	270
280																12.9	215.9	10,500 *	25.4	249.8	7,500 *	280
290																17.4	223.8	6,600 *	17.4	223.8	6,600 *	290





# Liftcrane Luffing Jib Capacities

## M-250 SERIES 3

Luffing Jib No. 133 or No. 133A On  
 Boom No. 44 With Heavy Lift Top  
 248,700 Lb. Crane Counterweight  
 120,000 Lb. Carbody Counterweight  
 360 Degree Rating

Designed And Tested  
 With The Intent To Be In  
 The Scope of ANSI B30.5

### 190 Ft. Boom, 70 Ft. Jib

Jib Oper. Rad. Feet	88 Degree Boom Angle			83 Degree Boom Angle			80 Degree Boom Angle			75 Degree Boom Angle			70 Degree Boom Angle			65 Degree Boom Angle			60 Degree Boom Angle			Jib Oper. Rad. Feet
	Jib Ang. Deg.	Jib Point Elev. Feet	Luffing Jib Capacity Pounds	Jib Ang. Deg.	Jib Point Elev. Feet	Luffing Jib Capacity Pounds	Jib Ang. Deg.	Jib Point Elev. Feet	Luffing Jib Capacity Pounds	Jib Ang. Deg.	Jib Point Elev. Feet	Luffing Jib Capacity Pounds	Jib Ang. Deg.	Jib Point Elev. Feet	Luffing Jib Capacity Pounds	Jib Ang. Deg.	Jib Point Elev. Feet	Luffing Jib Capacity Pounds	Jib Ang. Deg.	Jib Point Elev. Feet	Luffing Jib Capacity Pounds	
45	65.3	263.1	120,100 *b																			45
50	60.6	260.5	113,900 *b																			50
55	55.8	257.2	108,100 *b																			55
60	50.6	253.3	102,900 *b																			60
65	44.9	248.6	98,200 *	62.2	260.0	111,700 *b																65
70	38.7	242.8	91,800 *	57.5	257.0	106,000 *b																70
75	31.3	235.4	83,300 *	52.4	253.3	100,500 *b	62.2	258.4	112,500 *b													75
80	21.8	224.9	76,000 *	46.9	248.9	95,500 *	57.4	255.4	106,200 *b													80
85				40.9	243.5	90,800 *	52.3	251.7	100,400 *b													85
90				34.0	236.7	86,100 *	46.9	247.3	94,500 *													90
95				25.5	227.6	78,400 *	40.8	241.9	88,300 *	58.7	252.5	86,300 *b										95
100				12.0	211.9	71,800 *	33.9	235.1	82,800 *	53.7	249.0	81,000 *b										100
105							25.4	225.9	77,800 *	48.4	244.8	76,200 *										105
110							11.7	210.1	72,000 *	42.5	239.7	71,900 *										110
115										35.9	233.4	67,900 *	54.7	244.6	64,500 b							115
120										27.9	225.0	64,300 *	49.4	240.5	61,200							120
130													37.3	229.6	55,300							130
140													19.3	210.1	50,300	44.2	229.6	46,600				140
150																30.4	216.0	42,600				150
160																			37.6	215.6	35,900 *	160
170																			20.0	196.6	32,800 *	170



# Liftcrane Luffing Jib Capacities

Luffing Jib No. 133 or No. 133A On  
 Boom No. 44 With Heavy Lift Top  
 248,700 Lb. Crane Counterweight  
 120,000 Lb. Carbody Counterweight  
 360 Degree Rating

Designed And Tested  
 With The Intent To Be In  
 The Scope of ANSI B30.5

## M-250 SERIES 3

### 190 Ft. Boom, 80 Ft. Jib

Jib Oper. Rad. Feet	88 Degree Boom Angle			83 Degree Boom Angle			80 Degree Boom Angle			75 Degree Boom Angle			70 Degree Boom Angle			65 Degree Boom Angle			60 Degree Boom Angle			Jib Oper. Rad. Feet
	Jib Ang. Deg.	Jib Point Elev. Feet	Luffing Jib Capacity Pounds	Jib Ang. Deg.	Jib Point Elev. Feet	Luffing Jib Capacity Pounds	Jib Ang. Deg.	Jib Point Elev. Feet	Luffing Jib Capacity Pounds	Jib Ang. Deg.	Jib Point Elev. Feet	Luffing Jib Capacity Pounds	Jib Ang. Deg.	Jib Point Elev. Feet	Luffing Jib Capacity Pounds	Jib Ang. Deg.	Jib Point Elev. Feet	Luffing Jib Capacity Pounds	Jib Ang. Deg.	Jib Point Elev. Feet	Luffing Jib Capacity Pounds	
45	68.5	274.1	116,000 *b																			45
50	64.6	271.8	110,200 *b																			50
55	60.5	269.1	104,800 *b																			55
60	56.3	265.9	99,800 *b																			60
65	51.8	262.2	95,300 *	66.0	271.2	108,000 *b																65
70	47.0	257.8	91,000 *	62.0	268.7	102,700 *b																70
75	41.8	252.5	83,600 *	57.8	265.7	97,700 *b	65.9	269.6	109,200 *b													75
80	36.0	246.1	76,300 *	53.4	262.1	93,000 *	61.9	267.1	103,400 *b													80
85	29.2	238.0	70,100 *	48.7	257.9	88,600 *	57.7	264.1	98,000 *b													85
90	20.3	226.7	64,700 *	43.7	253.0	84,400 *	53.3	260.5	92,900 *													90
95				38.1	247.0	78,700 *	48.7	256.3	87,600 *	63.0	264.1	85,300 *b										95
100				31.7	239.6	72,200 *	43.6	251.4	82,200 *	58.9	261.2	80,000 *b										100
105				23.7	229.7	66,500 *	38.0	245.4	77,300 *	54.5	257.8	75,300 *										105
110				11.1	212.8	61,500 *	31.6	237.9	72,800 *	50.0	253.8	71,000 *										110
115							23.6	228.0	67,000 *	45.0	249.0	67,100 *										115
120							10.9	210.9	62,000 *	39.6	243.4	63,600 *	55.4	253.3	60,500							120
130										26.0	227.3	57,300 *	46.0	244.9	54,700							130
140													34.7	232.7	49,800	51.3	243.3	45,900				140
150													18.0	211.7	45,500 *	41.2	233.4	41,900				150
160																28.3	218.5	38,500	46.3	230.8	34,900 *	160
170																			35.1	218.7	32,000 *	170
180																			18.6	198.2	29,300 *	180



# Liftcrane Luffing Jib Capacities

# M-250 SERIES 3

Luffing Jib No. 133 or No. 133A On  
 Boom No. 44 With Heavy Lift Top  
 248,700 Lb. Crane Counterweight  
 120,000 Lb. Carbody Counterweight  
 360 Degree Rating

Designed And Tested  
 With The Intent To Be In  
 The Scope of ANSI B30.5

## 190 Ft. Boom, 90 Ft. Jib

Jib Oper. Rad. Feet	88 Degree Boom Angle			83 Degree Boom Angle			80 Degree Boom Angle			75 Degree Boom Angle			70 Degree Boom Angle			65 Degree Boom Angle			60 Degree Boom Angle			Jib Oper. Rad. Feet
	Jib Ang. Deg.	Jib Point Elev. Feet	Luffing Jib Capacity Pounds	Jib Ang. Deg.	Jib Point Elev. Feet	Luffing Jib Capacity Pounds	Jib Ang. Deg.	Jib Point Elev. Feet	Luffing Jib Capacity Pounds	Jib Ang. Deg.	Jib Point Elev. Feet	Luffing Jib Capacity Pounds	Jib Ang. Deg.	Jib Point Elev. Feet	Luffing Jib Capacity Pounds	Jib Ang. Deg.	Jib Point Elev. Feet	Luffing Jib Capacity Pounds	Jib Ang. Deg.	Jib Point Elev. Feet	Luffing Jib Capacity Pounds	
45	71.0	284.8	110,700 *b																			45
50	67.6	282.8	105,500 *b																			50
55	64.1	280.5	100,500 *b																			55
60	60.5	277.8	96,000 *																			60
65	56.7	274.6	91,700 *	68.8	282.1	104,300 *b																65
70	52.8	271.0	87,700 *	65.3	279.9	99,800 *b																70
75	48.6	266.8	83,900 *	61.7	277.3	95,500 *b																75
80	44.2	261.9	77,000 *	58.0	274.3	91,100 *	65.3	278.3	101,600 *b													80
85	39.3	256.1	70,700 *	54.2	270.9	86,900 *	61.7	275.7	96,500 *													85
90	33.9	249.2	65,200 *	50.1	266.9	82,900 *	58.0	272.7	91,700 *													90
95	27.5	240.4	60,400 *	45.7	262.2	79,200 *	54.1	269.3	87,200 *													95
100	19.1	228.3	56,100 *	41.0	256.8	72,800 *	50.0	265.2	82,200 *	62.7	272.7	79,900 *b										100
105				35.8	250.3	67,000 *	45.7	260.6	77,300 *	59.0	269.8	75,100 *										105
110				29.8	242.3	62,000 *	41.0	255.1	72,800 *	55.2	266.5	70,800 *										110
115				22.3	231.6	57,600 *	35.7	248.6	67,200 *	51.2	262.6	66,900 *										115
120				10.4	213.7	53,600 *	29.7	240.6	62,100 *	46.9	258.2	63,400 *										120
130							10.2	211.8	53,700 *	37.2	246.8	57,100 *	51.9	258.3	54,200							130
140										24.5	229.5	51,700 *	43.2	248.9	49,400							140
150													32.6	235.6	45,100	48.1	247.8	41,400				150
160													16.9	213.1	41,300 *	38.7	236.9	38,100				160
170																26.6	220.8	35,100	43.5	234.8	31,500 *	170
180																			33.0	221.7	28,900 *	180
190																			17.5	199.7	26,500 *	190



# Liftcrane Luffing Jib Capacities

Luffing Jib No. 133 or No. 133A On  
 Boom No. 44 With Heavy Lift Top  
 248,700 Lb. Crane Counterweight  
 120,000 Lb. Carbody Counterweight  
 360 Degree Rating

Designed And Tested  
 With The Intent To Be In  
 The Scope of ANSI B30.5

## M-250 SERIES 3

### 190 Ft. Boom, 100 Ft. Jib

Jib Oper. Rad. Feet	88 Degree Boom Angle			83 Degree Boom Angle			80 Degree Boom Angle			75 Degree Boom Angle			70 Degree Boom Angle			65 Degree Boom Angle			60 Degree Boom Angle			Jib Oper. Rad. Feet
	Jib Ang. Deg.	Jib Point Elev. Feet	Luffing Jib Capacity Pounds	Jib Ang. Deg.	Jib Point Elev. Feet	Luffing Jib Capacity Pounds	Jib Ang. Deg.	Jib Point Elev. Feet	Luffing Jib Capacity Pounds	Jib Ang. Deg.	Jib Point Elev. Feet	Luffing Jib Capacity Pounds	Jib Ang. Deg.	Jib Point Elev. Feet	Luffing Jib Capacity Pounds	Jib Ang. Deg.	Jib Point Elev. Feet	Luffing Jib Capacity Pounds	Jib Ang. Deg.	Jib Point Elev. Feet	Luffing Jib Capacity Pounds	
45	73.0	295.3	106,600 *b																			45
50	70.0	293.6	101,900 *b																			50
55	66.9	291.5	97,300 *b																			55
60	63.7	289.2	93,000 *																			60
65	60.4	286.4	88,900 *	71.0	292.8	100,700 *b																65
70	57.1	283.3	85,200 *	67.9	290.9	96,700 *b																70
75	53.5	279.8	80,800 *	64.8	288.6	92,400 *																75
80	49.9	275.7	75,600 *	61.6	286.0	88,300 *	67.9	289.3	98,300 *b													80
85	45.9	271.1	70,600 *	58.2	283.0	84,400 *	64.8	287.0	93,700 *													85
90	41.8	265.7	65,000 *	54.8	279.6	80,700 *	61.5	284.4	89,300 *													90
95	37.2	259.5	60,200 *	51.1	275.7	77,200 *	58.2	281.4	85,100 *													95
100	32.0	252.0	56,000 *	47.3	271.3	72,700 *	54.7	278.0	81,100 *													100
105	26.0	242.7	52,200 *	43.2	266.2	66,900 *	51.1	274.1	76,500 *	62.4	281.4	74,200 *										105
110	18.1	229.9	48,800 *	38.8	260.3	61,900 *	47.3	269.7	72,100 *	59.1	278.5	69,900 *										110
115				33.9	253.3	57,400 *	43.2	264.6	67,000 *	55.7	275.2	66,000 *										115
120				28.2	244.8	53,500 *	38.7	258.7	62,000 *	52.1	271.5	62,500 *										120
130				9.8	214.5	46,800 *	28.1	243.1	53,600 *	44.3	262.3	56,300 *	56.3	270.7	53,500							130
140							9.6	212.6	46,900 *	35.2	250.0	51,000 *	49.1	262.9	48,700							140
150										23.2	231.5	46,400 *	40.8	252.6	44,400 *							150
160													30.9	238.4	40,600 *	45.5	252.1	37,400				160
170													16.0	214.5	37,100 *	36.6	240.3	34,400				170
180																25.2	223.1	31,800	41.1	238.6	27,900 *	180
190																			31.2	224.5	25,600 *	190
200																			16.6	201.1	23,500 *	200



# Liftcrane Luffing Jib Capacities

# M-250 SERIES 3

Luffing Jib No. 133 or No. 133A On  
 Boom No. 44 With Heavy Lift Top  
 248,700 Lb. Crane Counterweight  
 120,000 Lb. Carbody Counterweight  
 360 Degree Rating

Designed And Tested  
 With The Intent To Be In  
 The Scope of ANSI B30.5

## 190 Ft. Boom, 110 Ft. Jib

Jib Oper. Rad. Feet	88 Degree Boom Angle			83 Degree Boom Angle			80 Degree Boom Angle			75 Degree Boom Angle			70 Degree Boom Angle			65 Degree Boom Angle			60 Degree Boom Angle			Jib Oper. Rad. Feet
	Jib Ang. Deg.	Jib Point Elev. Feet	Luffing Jib Capacity Pounds	Jib Ang. Deg.	Jib Point Elev. Feet	Luffing Jib Capacity Pounds	Jib Ang. Deg.	Jib Point Elev. Feet	Luffing Jib Capacity Pounds	Jib Ang. Deg.	Jib Point Elev. Feet	Luffing Jib Capacity Pounds	Jib Ang. Deg.	Jib Point Elev. Feet	Luffing Jib Capacity Pounds	Jib Ang. Deg.	Jib Point Elev. Feet	Luffing Jib Capacity Pounds	Jib Ang. Deg.	Jib Point Elev. Feet	Luffing Jib Capacity Pounds	
45	74.6	305.8	102,800 *b																			45
50	71.9	304.2	98,400 *b																			50
55	69.1	302.4	94,200 *b																			55
60	66.3	300.3	90,200 *																			60
65	63.4	297.8	86,500 *																			65
70	60.4	295.1	82,400 *	70.0	301.6	93,500 *b																70
75	57.3	292.0	77,600 *	67.2	299.6	89,500 *																75
80	54.2	288.5	72,900 *	64.4	297.3	85,700 *																80
85	50.8	284.6	68,400 *	61.4	294.6	82,100 *	67.2	298.0	91,000 *													85
90	47.4	280.1	64,000 *	58.4	291.7	78,600 *	64.3	295.7	86,900 *													90
95	43.7	275.1	59,900 *	55.3	288.3	75,300 *	61.4	293.1	83,000 *													95
100	39.7	269.4	55,900 *	52.0	284.5	72,200 *	58.4	290.1	79,300 *													100
105	35.4	262.7	52,300 *	48.6	280.3	68,400 *	55.2	286.7	75,800 *													105
110	30.5	254.8	49,000 *	45.0	275.5	63,200 *	52.0	282.9	71,400 *	62.2	290.1	69,100 *										110
115	24.7	244.9	45,900 *	41.1	270.0	58,700 *	48.5	278.7	67,500 *	59.2	287.2	65,300 *										115
120	17.2	231.4	43,200 *	36.9	263.7	54,700 *	44.9	273.9	63,300 *	56.1	283.9	61,800 *										120
130				26.8	247.1	47,900 *	36.8	262.0	54,700 *	49.5	276.1	55,600 *										130
140				9.4	215.3	41,600 *	26.8	245.5	48,000 *	42.1	266.2	50,400 *	53.5	275.8	48,000 *							140
150							9.2	213.3	42,400 *	33.5	253.0	45,800 *	46.6	267.3	43,700 *							150
160										22.0	233.4	41,800 *	38.8	256.2	39,900 *	50.4	265.7	36,800				160
170													29.4	241.0	36,600 *	43.2	256.1	33,900				170
180													15.2	215.8	33,500 *	34.8	243.4	31,300	46.8	253.2	27,200 *	180
190																24.0	225.2	28,900 *	39.1	242.2	24,900 *	190
200																			29.7	227.2	22,900 *	200
210																			15.8	202.4	21,000 *	210



# Liftcrane Luffing Jib Capacities

Luffing Jib No. 133 or No. 133A On  
 Boom No. 44 With Heavy Lift Top  
 248,700 Lb. Crane Counterweight  
 120,000 Lb. Carbody Counterweight  
 360 Degree Rating

Designed And Tested  
 With The Intent To Be In  
 The Scope of ANSI B30.5

## M-250 SERIES 3

### 190 Ft. Boom, 120 Ft. Jib

Jib Oper. Rad. Feet	88 Degree Boom Angle			83 Degree Boom Angle			80 Degree Boom Angle			75 Degree Boom Angle			70 Degree Boom Angle			65 Degree Boom Angle			60 Degree Boom Angle			Jib Oper. Rad. Feet
	Jib Ang. Deg.	Jib Point Elev. Feet	Luffing Jib Capacity Pounds	Jib Ang. Deg.	Jib Point Elev. Feet	Luffing Jib Capacity Pounds	Jib Ang. Deg.	Jib Point Elev. Feet	Luffing Jib Capacity Pounds	Jib Ang. Deg.	Jib Point Elev. Feet	Luffing Jib Capacity Pounds	Jib Ang. Deg.	Jib Point Elev. Feet	Luffing Jib Capacity Pounds	Jib Ang. Deg.	Jib Point Elev. Feet	Luffing Jib Capacity Pounds	Jib Ang. Deg.	Jib Point Elev. Feet	Luffing Jib Capacity Pounds	
45	75.9	316.2	96,100 *b																			45
50	73.4	314.7	93,200 *b																			50
55	70.9	313.1	89,900 *																			55
60	68.4	311.2	86,200 *																			60
65	65.8	309.0	82,400 *																			65
70	63.1	306.5	78,300 *																			70
75	60.4	303.8	74,200 *	69.2	310.4	86,300 *																75
80	57.6	300.7	70,100 *	66.7	308.3	82,800 *																80
85	54.7	297.2	66,000 *	64.0	306.0	79,400 *																85
90	51.7	293.4	62,100 *	61.3	303.3	76,200 *	66.6	306.7	84,200 *													90
95	48.5	289.1	58,300 *	58.5	300.3	73,200 *	64.0	304.4	80,600 *													95
100	45.2	284.3	54,700 *	55.7	297.0	70,200 *	61.3	301.7	77,200 *													100
105	41.7	279.0	51,200 *	52.7	293.3	67,400 *	58.5	298.7	73,900 *													105
110	37.9	272.8	48,000 *	49.6	289.2	62,800 *	55.6	295.4	70,700 *													110
115	33.8	265.7	45,000 *	46.4	284.6	58,300 *	52.7	291.7	66,700 *	62.0	298.7	64,400 *										115
120	29.1	257.4	42,300 *	42.9	279.4	54,300 *	49.6	287.6	62,900 *	59.3	295.8	60,900 *										120
130	16.4	232.8	37,500 *	35.2	266.9	47,500 *	42.9	277.8	54,300 *	53.5	289.0	54,800 *										130
140				25.6	249.4	41,900 *	35.2	265.2	47,500 *	47.2	280.6	49,600 *	57.0	288.1	47,100 *							140
150				8.9	216.0	36,800 *	25.6	247.7	42,000 *	40.2	269.9	45,100 *	51.0	280.7	42,800 *							150
160							8.7	214.1	37,300 *	32.0	255.8	41,200 *	44.5	271.4	39,100 *							160
170										21.1	235.3	37,700 *	37.1	259.6	35,800 *	48.1	270.2	33,300				170
180													28.1	243.5	32,900 *	41.3	259.9	30,600 *				180
190													14.5	217.0	30,200 *				44.7	257.3	24,000 *	190
200																33.3	246.4	28,200 *	37.3	245.5	22,000 *	200
210																22.9	227.2	25,900 *	28.4	229.7	20,200 *	210
220																			15.0	203.7	18,500 *	220



# Liftcrane Luffing Jib Capacities

# M-250 SERIES 3

Luffing Jib No. 133 or No. 133A On  
 Boom No. 44 With Heavy Lift Top  
 248,700 Lb. Crane Counterweight  
 120,000 Lb. Carbody Counterweight  
 360 Degree Rating

Designed And Tested  
 With The Intent To Be In  
 The Scope of ANSI B30.5

## 190 Ft. Boom, 130 Ft. Jib

Jib Oper. Rad. Feet	88 Degree Boom Angle			83 Degree Boom Angle			80 Degree Boom Angle			75 Degree Boom Angle			70 Degree Boom Angle			65 Degree Boom Angle			60 Degree Boom Angle			Jib Oper. Rad. Feet
	Jib Ang. Deg.	Jib Point Elev. Feet	Luffing Jib Capacity Pounds	Jib Ang. Deg.	Jib Point Elev. Feet	Luffing Jib Capacity Pounds	Jib Ang. Deg.	Jib Point Elev. Feet	Luffing Jib Capacity Pounds	Jib Ang. Deg.	Jib Point Elev. Feet	Luffing Jib Capacity Pounds	Jib Ang. Deg.	Jib Point Elev. Feet	Luffing Jib Capacity Pounds	Jib Ang. Deg.	Jib Point Elev. Feet	Luffing Jib Capacity Pounds	Jib Ang. Deg.	Jib Point Elev. Feet	Luffing Jib Capacity Pounds	
50	74.7	325.2	86,500 *b																			50
55	72.4	323.6	83,800 *																			55
60	70.1	321.9	80,900 *																			60
65	67.7	319.9	77,700 *																			65
70	65.3	317.7	74,300 *																			70
75	62.9	315.2	70,800 *	70.9	321.1	82,800 *																75
80	60.3	312.4	67,200 *	68.5	319.2	80,000 *																80
85	57.8	309.3	63,600 *	66.1	317.0	77,300 *																85
90	55.1	306.0	60,100 *	63.7	314.6	74,700 *																90
95	52.3	302.2	56,700 *	61.2	312.0	71,800 *	66.1	315.5	78,300 *													95
100	49.5	298.1	53,400 *	58.6	309.0	69,000 *	63.7	313.0	75,200 *													100
105	46.5	293.5	50,200 *	56.0	305.7	66,300 *	61.2	310.4	72,100 *													105
110	43.3	288.3	47,200 *	53.3	302.1	63,300 *	58.6	307.4	69,200 *													110
115	40.0	282.6	44,400 *	50.5	298.1	58,700 *	56.0	304.1	66,400 *													115
120	36.4	276.1	41,700 *	47.5	293.7	54,600 *	53.3	300.5	62,800 *	61.9	307.4	60,500 *										120
130	27.9	259.8	37,000 *	41.1	283.2	47,700 *	47.5	292.1	54,600 *	56.7	301.3	54,400 *										130
140	15.8	234.2	33,000 *	33.8	269.9	42,100 *	41.1	281.6	47,700 *	51.2	293.9	49,200 *										140
150				24.6	251.6	37,400 *	33.8	268.3	42,100 *	45.2	284.8	44,800 *	54.5	293.3	42,400 *							150
160				8.6	216.7	32,900 *	24.5	249.9	37,500 *	38.6	273.4	40,900 *	48.9	285.3	38,700 *							160
170							8.4	214.7	33,500 *	30.7	258.6	37,500 *	42.6	275.3	35,500 *	52.0	283.3	33,000 *				170
180										20.2	237.0	34,400 *	35.6	262.8	32,600 *	46.1	274.5	30,300 *				180
190													26.9	245.9	30,000 *	39.6	263.5	27,800 *				190
200													13.9	218.2	27,600 *	31.9	249.3	25,600 *	42.8	261.3	21,700 *	200
210																22.0	229.1	23,600 *	35.8	248.8	19,900 *	210
220																			27.2	232.1	18,300 *	220
230																			14.4	205.0	16,700 *	230



# Liftcrane Luffing Jib Capacities

Luffing Jib No. 133 or No. 133A On  
 Boom No. 44 With Heavy Lift Top  
 248,700 Lb. Crane Counterweight  
 120,000 Lb. Carbody Counterweight  
 360 Degree Rating

Designed And Tested  
 With The Intent To Be In  
 The Scope of ANSI B30.5

## M-250 SERIES 3

### 190 Ft. Boom, 140 Ft. Jib

Jib Oper. Rad. Feet	88 Degree Boom Angle			83 Degree Boom Angle			80 Degree Boom Angle			75 Degree Boom Angle			70 Degree Boom Angle			65 Degree Boom Angle			60 Degree Boom Angle			Jib Oper. Rad. Feet	
	Jib Ang. Deg.	Jib Point Elev. Feet	Luffing Jib Capacity Pounds	Jib Ang. Deg.	Jib Point Elev. Feet	Luffing Jib Capacity Pounds	Jib Ang. Deg.	Jib Point Elev. Feet	Luffing Jib Capacity Pounds	Jib Ang. Deg.	Jib Point Elev. Feet	Luffing Jib Capacity Pounds	Jib Ang. Deg.	Jib Point Elev. Feet	Luffing Jib Capacity Pounds	Jib Ang. Deg.	Jib Point Elev. Feet	Luffing Jib Capacity Pounds	Jib Ang. Deg.	Jib Point Elev. Feet	Luffing Jib Capacity Pounds		
50	75.9	335.5	80,100 *b																			50	
55	73.7	334.1	78,000 *																			55	
60	71.6	332.5	75,600 *																			60	
65	69.4	330.7	72,900 *																			65	
70	67.2	328.6	70,100 *																			70	
75	64.9	326.4	67,100 *																			75	
80	62.7	323.9	64,100 *	70.2	329.9	77,200 *																80	
85	60.3	321.1	61,000 *	68.0	327.9	74,700 *																85	
90	57.9	318.0	57,800 *	65.7	325.7	72,100 *																90	
95	55.5	314.7	54,800 *	63.4	323.3	69,400 *	67.9	326.4	75,600 *													95	
100	52.9	311.0	51,800 *	61.1	320.6	66,800 *	65.7	324.2	72,800 *													100	
105	50.3	307.0	48,900 *	58.7	317.7	64,300 *	63.4	321.7	70,000 *													105	
110	47.5	302.5	46,200 *	56.3	314.4	62,000 *	61.1	319.0	67,300 *													110	
115	44.7	297.6	43,500 *	53.8	310.9	58,200 *	58.7	316.1	64,600 *													115	
120	41.7	292.2	41,000 *	51.2	306.9	54,100 *	56.3	312.8	62,000 *													120	
130	35.0	279.3	36,400 *	45.7	297.9	47,200 *	51.2	305.3	54,200 *	59.4	313.2	53,600 *										130	
140	26.9	262.2	32,400 *	39.6	286.8	41,600 *	45.6	296.3	47,300 *	54.4	306.5	48,400 *										140	
150	15.2	235.5	29,100 *	32.5	272.8	36,900 *	39.5	285.2	41,600 *	49.2	298.5	44,000 *	57.4	305.5	41,600 *							150	
160				23.7	253.7	33,000 *	32.5	271.2	37,000 *	43.5	288.8	40,200 *	52.4	298.3	37,900 *							160	
170				8.2	217.4	29,200 *	23.6	252.0	33,100 *	37.1	276.8	36,800 *	47.0	289.6	34,700 *							170	
180							8.0	215.4	29,700 *	29.5	261.2	33,800 *	41.0	279.1	31,800 *	50.0	288.0	29,400 *				180	
190										19.4	238.7	31,000 *		34.2	265.9	29,300 *	44.3	278.6	27,000 *				190
200														25.9	248.2	26,900 *	38.0	266.9	24,800 *	47.1	275.5	20,800 *	200
210														13.4	219.4	24,800 *	30.7	252.0	22,900 *	41.2	265.0	19,100 *	210
220																	21.1	231.0	21,000 *	34.4	251.9	17,500 *	220
230																				26.2	234.4	16,000 *	230
240																				13.9	206.2	14,600 *	240





# Liftcrane Luffing Jib Capacities

# M-250 SERIES 3

Luffing Jib No. 133 or No. 133A On  
 Boom No. 44 With Heavy Lift Top  
 248,700 Lb. Crane Counterweight  
 120,000 Lb. Carbody Counterweight  
 360 Degree Rating

Designed And Tested  
 With The Intent To Be In  
 The Scope of ANSI B30.5

## 190 Ft. Boom, 150 Ft. Jib

Jib Oper. Rad. Feet	88 Degree Boom Angle			83 Degree Boom Angle			80 Degree Boom Angle			75 Degree Boom Angle			70 Degree Boom Angle			65 Degree Boom Angle			60 Degree Boom Angle			Jib Oper. Rad. Feet
	Jib Ang. Deg.	Jib Point Elev. Feet	Luffing Jib Capacity Pounds	Jib Ang. Deg.	Jib Point Elev. Feet	Luffing Jib Capacity Pounds	Jib Ang. Deg.	Jib Point Elev. Feet	Luffing Jib Capacity Pounds	Jib Ang. Deg.	Jib Point Elev. Feet	Luffing Jib Capacity Pounds	Jib Ang. Deg.	Jib Point Elev. Feet	Luffing Jib Capacity Pounds	Jib Ang. Deg.	Jib Point Elev. Feet	Luffing Jib Capacity Pounds	Jib Ang. Deg.	Jib Point Elev. Feet	Luffing Jib Capacity Pounds	
55	74.8	344.5	72,400 *																			55
60	72.9	343.0	70,500 *																			60
65	70.8	341.4	68,300 *																			65
70	68.8	339.5	66,000 *																			70
75	66.7	337.4	63,500 *																			75
80	64.6	335.1	60,900 *																			80
85	62.5	332.5	58,200 *	69.5	338.7	72,100 *																85
90	60.3	329.7	55,500 *	67.4	336.7	69,600 *																90
95	58.1	326.7	52,800 *	65.3	334.4	67,200 *																95
100	55.8	323.4	50,100 *	63.2	332.0	64,800 *	67.4	335.1	71,200 *													100
105	53.4	319.8	47,500 *	61.0	329.3	62,500 *	65.3	332.9	68,600 *													105
110	51.0	315.8	45,000 *	58.8	326.3	60,200 *	63.2	330.4	66,100 *													110
115	48.4	311.5	42,600 *	56.6	323.1	58,100 *	61.0	327.7	63,700 *													115
120	45.8	306.8	40,200 *	54.2	319.6	54,600 *	58.8	324.7	61,300 *													120
130	40.2	295.9	35,900 *	49.3	311.6	47,600 *	54.2	318.0	54,600 *	61.6	324.7	53,300 *										130
140	33.7	282.3	32,000 *	44.0	302.0	41,900 *	49.3	310.0	47,600 *	57.1	318.7	48,100 *										140
150	25.9	264.5	28,700 *	38.2	290.3	37,200 *	44.0	300.4	41,900 *	52.4	311.5	43,600 *										150
160	14.6	236.7	25,900 *	31.4	275.6	33,200 *	38.1	288.7	37,200 *	47.4	302.9	39,700 *	55.3	310.8	37,400 *							160
170				22.8	255.7	29,800 *	31.3	274.0	33,200 *	41.9	292.6	36,300 *	50.5	303.1	34,200 *							170
180				7.9	218.0	25,200 *	22.8	254.0	29,800 *	35.8	280.0	33,300 *	45.3	293.8	31,300 *							180
190							7.8	216.1	25,800 *	28.5	263.8	30,600 *	39.5	282.7	28,700 *	48.1	292.5	26,400 *				190
200										18.8	240.4	28,200 *	33.0	268.8	26,400 *	42.7	282.5	24,200 *				200
210													25.0	250.4	24,300 *	36.7	270.3	22,300 *	45.4	279.8	18,400 *	210
220													12.9	220.5	22,400 *	29.6	254.7	20,500 *	39.7	268.7	16,800 *	220
230																20.4	232.8	18,800 *	33.2	254.9	15,400 *	230
240																			25.2	236.6	14,000 *	240
250																			13.4	207.3	12,700 *	250



# Liftcrane Luffing Jib Capacities

Luffing Jib No. 133 or No. 133A On  
 Boom No. 44 With Heavy Lift Top  
 248,700 Lb. Crane Counterweight  
 120,000 Lb. Carbody Counterweight  
 360 Degree Rating

Designed And Tested  
 With The Intent To Be In  
 The Scope of ANSI B30.5

## M-250 SERIES 3

### 190 Ft. Boom, 160 Ft. Jib

Jib Oper. Rad. Feet	88 Degree Boom Angle			83 Degree Boom Angle			80 Degree Boom Angle			75 Degree Boom Angle			70 Degree Boom Angle			65 Degree Boom Angle			60 Degree Boom Angle			Jib Oper. Rad. Feet
	Jib Ang. Deg.	Jib Point Elev. Feet	Luffing Jib Capacity Pounds	Jib Ang. Deg.	Jib Point Elev. Feet	Luffing Jib Capacity Pounds	Jib Ang. Deg.	Jib Point Elev. Feet	Luffing Jib Capacity Pounds	Jib Ang. Deg.	Jib Point Elev. Feet	Luffing Jib Capacity Pounds	Jib Ang. Deg.	Jib Point Elev. Feet	Luffing Jib Capacity Pounds	Jib Ang. Deg.	Jib Point Elev. Feet	Luffing Jib Capacity Pounds	Jib Ang. Deg.	Jib Point Elev. Feet	Luffing Jib Capacity Pounds	
55	75.8	354.9	67,100 *																			55
60	74.0	353.5	65,500 *																			60
65	72.1	351.9	63,700 *																			65
70	70.2	350.2	61,800 *																			70
75	68.3	348.2	59,700 *																			75
80	66.3	346.1	57,600 *																			80
85	64.3	343.7	55,300 *	70.8	349.4	69,000 *																85
90	62.3	341.2	53,000 *	68.9	347.5	66,900 *																90
95	60.3	338.4	50,600 *	67.0	345.4	64,700 *																95
100	58.2	335.4	48,300 *	65.0	343.1	62,500 *																100
105	56.0	332.1	45,900 *	63.0	340.7	60,300 *	67.0	343.8	66,200 *													105
110	53.8	328.5	43,700 *	61.0	337.9	58,300 *	65.0	341.6	63,900 *													110
115	51.6	324.6	41,400 *	58.9	335.0	56,300 *	63.0	339.1	61,700 *													115
120	49.2	320.4	39,300 *	56.8	331.8	54,100 *	61.0	336.4	59,500 *													120
130	44.3	310.9	35,200 *	52.4	324.6	47,000 *	56.8	330.2	54,100 *													130
140	38.8	299.4	31,600 *	47.6	316.0	41,400 *	52.3	323.0	47,100 *	59.4	330.5	47,300 *										140
150	32.6	285.3	28,300 *	42.5	305.9	36,600 *	47.6	314.4	41,400 *	55.2	323.9	42,800 *										150
160	25.1	266.8	25,500 *	36.9	293.7	32,700 *	42.5	304.3	36,700 *	50.6	316.3	39,000 *	57.7	322.8	36,500 *							160
170	14.2	238.0	23,100 *	30.3	278.4	29,300 *	36.9	292.0	32,700 *	45.8	307.2	35,600 *	53.4	315.8	33,300 *							170
180				22.1	257.6	26,400 *	30.3	276.7	29,300 *	40.5	296.3	32,600 *	48.7	307.6	30,500 *							180
190				7.7	218.7	22,200 *	22.0	255.9	26,400 *	34.6	283.1	29,900 *	43.7	297.9	28,000 *	51.3	305.7	25,500 *				190
200							7.5	216.7	22,800 *	27.6	266.2	27,500 *	38.2	286.2	25,700 *	46.5	296.9	23,400 *				200
210										18.1	241.9	25,300 *	31.9	271.7	23,600 *	41.3	286.3	21,500 *				210
220													24.2	252.6	21,700 *	35.5	273.5	19,700 *	43.9	283.8	15,900 *	220
230													12.5	221.5	19,900 *	28.6	257.2	18,100 *	38.4	272.2	14,500 *	230
240																19.7	234.5	16,600 *	32.1	257.8	13,200 *	240
250																			24.4	238.8	12,000 *	250
260																			12.9	208.4	10,800 *	260



# Liftcrane Luffing Jib Capacities

# M-250 SERIES 3

Luffing Jib No. 133 or No. 133A On  
 Boom No. 44 With Heavy Lift Top  
 248,700 Lb. Crane Counterweight  
 120,000 Lb. Carbody Counterweight  
 360 Degree Rating

Designed And Tested  
 With The Intent To Be In  
 The Scope of ANSI B30.5

## 190 Ft. Boom, 170 Ft. Jib

Jib Oper. Rad. Feet	88 Degree Boom Angle			83 Degree Boom Angle			80 Degree Boom Angle			75 Degree Boom Angle			70 Degree Boom Angle			65 Degree Boom Angle			60 Degree Boom Angle			Jib Oper. Rad. Feet
	Jib Ang. Deg.	Jib Point Elev. Feet	Luffing Jib Capacity Pounds	Jib Ang. Deg.	Jib Point Elev. Feet	Luffing Jib Capacity Pounds	Jib Ang. Deg.	Jib Point Elev. Feet	Luffing Jib Capacity Pounds	Jib Ang. Deg.	Jib Point Elev. Feet	Luffing Jib Capacity Pounds	Jib Ang. Deg.	Jib Point Elev. Feet	Luffing Jib Capacity Pounds	Jib Ang. Deg.	Jib Point Elev. Feet	Luffing Jib Capacity Pounds	Jib Ang. Deg.	Jib Point Elev. Feet	Luffing Jib Capacity Pounds	
60	74.9	363.9	60,900 *																			60
65	73.2	362.4	59,500 *																			65
70	71.4	360.8	57,900 *																			70
75	69.6	359.0	56,200 *																			75
80	67.8	357.0	54,300 *																			80
85	66.0	354.8	52,400 *																			85
90	64.1	352.4	50,400 *	70.2	358.2	63,100 *																90
95	62.2	349.9	48,400 *	68.4	356.3	62,300 *																95
100	60.3	347.1	46,400 *	66.6	354.1	60,400 *																100
105	58.3	344.0	44,300 *	64.7	351.8	58,400 *																105
110	56.3	340.8	42,300 *	62.8	349.3	56,500 *	66.6	352.6	61,800 *													110
115	54.2	337.2	40,300 *	60.9	346.6	54,700 *	64.7	350.3	59,800 *													115
120	52.1	333.4	38,300 *	59.0	343.7	52,900 *	62.8	347.7	57,800 *													120
130	47.7	324.9	34,600 *	54.9	337.0	46,700 *	58.9	342.1	53,800 *													130
140	42.9	314.8	31,100 *	50.7	329.3	41,000 *	54.9	335.4	46,800 *	61.4	342.0	46,800 *										140
150	37.6	302.8	28,000 *	46.1	320.3	36,300 *	50.6	327.7	41,100 *	57.5	336.0	42,400 *										150
160	31.6	288.1	25,200 *	41.2	309.7	32,400 *	46.1	318.7	36,400 *	53.4	329.0	38,600 *										160
170	24.3	268.9	22,800 *	35.7	296.9	29,000 *	41.2	308.1	32,400 *	49.0	320.9	35,200 *	55.9	328.2	32,900 *							170
180	13.7	239.1	20,700 *	29.4	281.0	26,100 *	35.7	295.3	29,000 *	44.4	311.3	32,200 *	51.6	320.7	30,100 *							180
190				21.4	259.5	23,500 *	29.4	279.3	26,100 *	39.3	299.9	29,600 *	47.2	312.0	27,600 *							190
200				7.4	219.3	19,800 *	21.4	257.8	23,500 *	33.5	286.1	27,200 *	42.4	301.8	25,300 *	49.7	310.4	23,000 *				200
210							7.3	217.3	20,300 *	26.7	268.6	25,000 *	37.0	289.6	23,300 *	45.0	301.1	21,100 *				210
220										17.6	243.5	22,700 *	30.9	274.5	21,400 *	40.0	290.0	19,300 *	47.3	297.9	15,500 *	220
230													23.4	254.6	19,700 *	34.4	276.6	17,700 *	42.5	287.7	14,100 *	230
240													12.1	222.6	18,000 *	27.8	259.7	16,300 *	37.2	275.5	12,800 *	240
250																19.1	236.1	14,900 *	31.1	260.6	11,600 *	250
260																			23.7	240.9	10,500 *	260
270																			12.5	209.5	9,400 *	270



# Liftcrane Luffing Jib Capacities

Luffing Jib No. 133 or No. 133A On  
 Boom No. 44 With Heavy Lift Top  
 248,700 Lb. Crane Counterweight  
 120,000 Lb. Carbody Counterweight  
 360 Degree Rating

Designed And Tested  
 With The Intent To Be In  
 The Scope of ANSI B30.5

## M-250 SERIES 3

### 190 Ft. Boom, 180 Ft. Jib

Jib Oper. Rad. Feet	88 Degree Boom Angle			83 Degree Boom Angle			80 Degree Boom Angle			75 Degree Boom Angle			70 Degree Boom Angle			65 Degree Boom Angle			60 Degree Boom Angle			Jib Oper. Rad. Feet
	Jib Ang. Deg.	Jib Point Elev. Feet	Luffing Jib Capacity Pounds	Jib Ang. Deg.	Jib Point Elev. Feet	Luffing Jib Capacity Pounds	Jib Ang. Deg.	Jib Point Elev. Feet	Luffing Jib Capacity Pounds	Jib Ang. Deg.	Jib Point Elev. Feet	Luffing Jib Capacity Pounds	Jib Ang. Deg.	Jib Point Elev. Feet	Luffing Jib Capacity Pounds	Jib Ang. Deg.	Jib Point Elev. Feet	Luffing Jib Capacity Pounds	Jib Ang. Deg.	Jib Point Elev. Feet	Luffing Jib Capacity Pounds	
60	75.8	374.3	56,300 *																			60
65	74.1	372.9	55,100 *																			65
70	72.5	371.3	53,700 *																			70
75	70.8	369.6	52,300 *																			75
80	69.1	367.8	50,900 *																			80
85	67.4	365.7	49,300 *																			85
90	65.6	363.5	47,700 *																			90
95	63.9	361.1	46,000 *	69.7	367.0	57,500 *																95
100	62.1	358.5	44,200 *	68.0	365.0	56,800 *																100
105	60.2	355.7	42,400 *	66.2	362.9	55,900 *																105
110	58.4	352.7	40,700 *	64.5	360.5	54,900 *	67.9	363.4	57,900 *													110
115	56.5	349.5	38,800 *	62.7	358.0	53,300 *	66.2	361.3	57,500 *													115
120	54.5	346.0	37,100 *	60.9	355.3	51,600 *	64.4	358.9	55,700 *													120
130	50.5	338.2	33,700 *	57.1	349.2	46,900 *	60.9	353.7	52,100 *													130
140	46.2	329.2	30,500 *	53.2	342.1	41,100 *	57.1	347.6	46,900 *													140
150	41.6	318.6	27,600 *	49.1	333.9	36,200 *	53.2	340.5	41,100 *	59.5	347.8	41,600 *										150
160	36.5	306.1	24,900 *	44.7	324.5	32,200 *	49.1	332.3	36,300 *	55.7	341.4	37,800 *										160
170	30.7	290.8	22,600 *	40.0	313.3	28,700 *	44.7	322.8	32,200 *	51.7	333.9	34,400 *	58.0	340.2	32,000 *							170
180	23.6	271.0	20,500 *	34.7	300.0	25,800 *	40.0	311.7	28,800 *	47.5	325.3	31,500 *	54.1	333.3	29,200 *							180
190	13.3	240.3	18,500 *	28.5	283.5	23,200 *	34.7	298.4	25,800 *	43.0	315.2	28,900 *	50.1	325.4	26,700 *							190
200				20.8	261.3	20,900 *	28.5	281.9	23,200 *	38.1	303.4	26,500 *	45.8	316.3	24,500 *	52.3	323.4	22,100 *				200
210				7.2	219.9	17,500 *	20.7	259.6	20,900 *	32.5	289.1	24,300 *	41.1	305.6	22,500 *	48.2	314.9	20,200 *				210
220							7.0	217.9	18,000 *	25.9	270.9	22,400 *	35.9	292.8	20,600 *	43.7	305.1	18,500 *				220
230										17.1	244.9	20,200 *	30.0	277.2	19,000 *	38.8	293.5	16,900 *	45.9	302.2	13,300 *	230
240													22.8	256.6	17,400 *	33.4	279.6	15,500 *	41.2	291.5	12,000 *	240
250													11.7	223.6	15,900 *	26.9	262.1	14,100 *	36.1	278.8	10,800 *	250
260																18.6	237.8	12,900 *	30.2	263.3	9,700 *	260
270																			23.0	242.9	8,700 *	270
280																			12.2	210.5	7,700 *	280



# Liftcrane Luffing Jib Capacities

# M-250 SERIES 3

Luffing Jib No. 133 or No. 133A On  
 Boom No. 44 With Heavy Lift Top  
 248,700 Lb. Crane Counterweight  
 120,000 Lb. Carbody Counterweight  
 360 Degree Rating

Designed And Tested  
 With The Intent To Be In  
 The Scope of ANSI B30.5

## 190 Ft. Boom, 190 Ft. Jib

Jib Oper. Rad. Foot	88 Degree Boom Angle			83 Degree Boom Angle			80 Degree Boom Angle			75 Degree Boom Angle			70 Degree Boom Angle			65 Degree Boom Angle			60 Degree Boom Angle			Jib Oper. Rad. Foot
	Jib Ang. Deg.	Jib Point Elev. Feet	Luffing Jib Capacity Pounds	Jib Ang. Deg.	Jib Point Elev. Feet	Luffing Jib Capacity Pounds	Jib Ang. Deg.	Jib Point Elev. Feet	Luffing Jib Capacity Pounds	Jib Ang. Deg.	Jib Point Elev. Feet	Luffing Jib Capacity Pounds	Jib Ang. Deg.	Jib Point Elev. Feet	Luffing Jib Capacity Pounds	Jib Ang. Deg.	Jib Point Elev. Feet	Luffing Jib Capacity Pounds	Jib Ang. Deg.	Jib Point Elev. Feet	Luffing Jib Capacity Pounds	
65	75.0	383.3	51,200 *																			65
70	73.4	381.8	50,100 *																			70
75	71.8	380.2	48,900 *																			75
80	70.2	378.5	47,700 *																			80
85	68.6	376.5	46,400 *																			85
90	67.0	374.5	45,000 *																			90
95	65.3	372.2	43,500 *	70.8	377.7	53,100 *																95
100	63.7	369.8	42,000 *	69.2	375.8	52,600 *																100
105	62.0	367.2	40,500 *	67.6	373.8	51,900 *																105
110	60.2	364.4	39,000 *	65.9	371.6	51,200 *																110
115	58.5	361.4	37,400 *	64.2	369.2	50,300 *	67.5	372.2	53,000 *													115
120	56.7	358.1	35,800 *	62.5	366.7	49,300 *	65.9	370.0	52,800 *													120
130	53.0	351.0	32,800 *	59.1	361.0	46,400 *	62.5	365.1	51,300 *													130
140	49.1	342.8	29,900 *	55.5	354.5	40,600 *	59.1	359.4	46,400 *													140
150	44.9	333.3	27,100 *	51.7	347.0	35,700 *	55.5	352.9	40,600 *	61.3	359.4	41,500 *										150
160	40.4	322.3	24,600 *	47.7	338.4	31,700 *	51.7	345.4	35,800 *	57.8	353.4	37,600 *										160
170	35.5	309.3	22,300 *	43.5	328.5	28,200 *	47.7	336.8	31,700 *	54.1	346.5	34,200 *										170
180	29.8	293.5	20,300 *	38.9	316.9	25,300 *	43.5	326.9	28,300 *	50.3	338.6	31,200 *	56.3	345.6	28,900 *							180
190	23.0	273.0	18,400 *	33.7	303.1	22,700 *	38.8	315.3	25,300 *	46.2	329.6	28,600 *	52.6	338.3	26,400 *							190
200	12.9	241.4	16,200 *	27.8	286.0	20,400 *	33.7	301.4	22,700 *	41.8	319.1	26,200 *	48.7	330.0	24,100 *							200
210				20.2	263.1	18,400 *	27.7	284.3	20,400 *	37.0	306.8	24,000 *	44.5	320.4	22,100 *	50.8	328.1	19,700 *				210
220				7.0	220.5	15,300 *	20.2	261.4	18,400 *	31.6	291.9	21,900 *	39.9	309.2	20,200 *	46.8	319.3	18,000 *				220
230							6.8	218.4	15,800 *	25.2	273.1	19,700 *	34.9	296.0	18,500 *	42.5	309.0	16,400 *				230
240										16.6	246.4	17,700 *	29.2	279.8	17,000 *	37.7	297.0	15,000 *	44.6	306.3	11,400 *	240
250													22.1	258.6	15,500 *	32.4	282.5	13,600 *	40.1	295.2	10,200 *	250
260													11.4	224.6	14,100 *	26.2	264.4	12,400 *	35.1	282.0	9,100 *	260
270																18.1	239.3	11,200 *	29.4	265.9	8,100 *	270
280																			22.3	244.9	7,200 *	280
290																			11.8	211.6	6,200 *	290



# Liftcrane Luffing Jib Capacities

Luffing Jib No. 133 or No. 133A On  
 Boom No. 44 With Heavy Lift Top  
 248,700 Lb. Crane Counterweight  
 120,000 Lb. Carbody Counterweight  
 360 Degree Rating

Designed And Tested  
 With The Intent To Be In  
 The Scope of ANSI B30.5

## M-250 SERIES 3

### 190 Ft. Boom, 200 Ft. Jib

Jib Oper. Rad. Feet	88 Degree Boom Angle			83 Degree Boom Angle			80 Degree Boom Angle			75 Degree Boom Angle			70 Degree Boom Angle			65 Degree Boom Angle			60 Degree Boom Angle			Jib Oper. Rad. Feet
	Jib Ang. Deg.	Jib Point Elev. Feet	Luffing Jib Capacity Pounds	Jib Ang. Deg.	Jib Point Elev. Feet	Luffing Jib Capacity Pounds	Jib Ang. Deg.	Jib Point Elev. Feet	Luffing Jib Capacity Pounds	Jib Ang. Deg.	Jib Point Elev. Feet	Luffing Jib Capacity Pounds	Jib Ang. Deg.	Jib Point Elev. Feet	Luffing Jib Capacity Pounds	Jib Ang. Deg.	Jib Point Elev. Feet	Luffing Jib Capacity Pounds	Jib Ang. Deg.	Jib Point Elev. Feet	Luffing Jib Capacity Pounds	
65	75.8	393.6	47,400 *																			65
70	74.3	392.3	46,400 *																			70
75	72.8	390.7	45,500 *																			75
80	71.3	389.1	44,400 *																			80
85	69.7	387.3	43,400 *																			85
90	68.2	385.3	42,200 *																			90
95	66.6	383.2	41,000 *																			95
100	65.1	380.9	39,700 *	70.3	386.5	48,500 *																100
105	63.5	378.5	38,400 *	68.7	384.6	48,000 *																105
110	61.9	375.8	37,100 *	67.2	382.5	47,400 *																110
115	60.2	373.0	35,800 *	65.6	380.3	46,800 *																115
120	58.5	370.0	34,400 *	64.0	377.9	46,000 *	67.2	380.9	48,400 *													120
130	55.1	363.4	31,700 *	60.8	372.6	42,600 *	64.0	376.3	47,500 *													130
140	51.5	355.9	29,000 *	57.4	366.5	39,100 *	60.8	371.0	43,700 *													140
150	47.7	347.2	26,500 *	53.9	359.6	35,200 *	57.4	364.9	39,800 *	62.8	370.7	40,700 *										150
160	43.7	337.4	24,200 *	50.3	351.7	31,100 *	53.9	358.0	35,200 *	59.6	365.1	36,800 *										160
170	39.4	325.9	22,000 *	46.4	342.7	27,700 *	50.3	350.1	31,200 *	56.2	358.8	33,400 *										170
180	34.6	312.5	20,000 *	42.3	332.4	24,700 *	46.4	341.1	27,700 *	52.6	351.5	30,500 *										180
190	29.1	296.1	18,200 *	37.8	320.3	22,100 *	42.3	330.7	24,700 *	48.9	343.2	27,800 *	54.7	350.8	25,500 *							190
200	22.4	275.0	16,600 *	32.8	306.0	19,800 *	37.8	318.7	22,100 *	45.0	333.7	25,400 *	51.1	343.1	23,300 *							200
210	12.6	242.5	14,000 *	27.0	288.4	17,800 *	32.8	304.4	19,900 *	40.7	322.8	23,300 *	47.3	334.4	21,300 *							210
220				19.7	264.8	16,000 *	27.0	286.7	17,800 *	36.1	310.0	21,300 *	43.3	324.4	19,400 *	49.4	332.8	17,100 *				220
230				6.8	221.0	13,300 *	19.6	263.1	16,000 *	30.8	294.7	19,100 *	38.9	312.7	17,800 *	45.5	323.5	15,600 *				230
240							6.7	219.0	13,700 *	24.6	275.3	17,200 *	34.0	299.0	16,200 *	41.3	312.8	14,200 *	47.4	320.3	10,500 *	240
250										16.2	247.8	15,400 *	28.4	282.3	14,800 *	36.7	300.3	12,800 *	43.4	310.3	9,400 *	250
260													21.6	260.5	13,500 *	31.6	285.3	11,600 *	39.0	298.7	8,300 *	260
270													11.1	225.5	12,200 *	25.5	266.7	10,500 *	34.2	285.1	7,300 *	270
280																17.6	240.9	9,400 *	28.6	268.4	6,400 *	280
290																			21.8	246.8	5,500 *	290
300																			11.5	212.6	4,600 *	300



# Liftcrane Luffing Jib Capacities

# M-250 SERIES 3

Luffing Jib No. 133 or No. 133A On  
 Boom No. 44 With Heavy Lift Top  
 248,700 Lb. Crane Counterweight  
 120,000 Lb. Carbody Counterweight  
 360 Degree Rating

Designed And Tested  
 With The Intent To Be In  
 The Scope of ANSI B30.5

## 200 Ft. Boom, 70 Ft. Jib

Jib Oper. Rad. Feet	88 Degree Boom Angle			83 Degree Boom Angle			80 Degree Boom Angle			75 Degree Boom Angle			70 Degree Boom Angle			65 Degree Boom Angle			60 Degree Boom Angle			Jib Oper. Rad. Feet
	Jib Ang. Deg.	Jib Point Elev. Feet	Luffing Jib Capacity Pounds	Jib Ang. Deg.	Jib Point Elev. Feet	Luffing Jib Capacity Pounds	Jib Ang. Deg.	Jib Point Elev. Feet	Luffing Jib Capacity Pounds	Jib Ang. Deg.	Jib Point Elev. Feet	Luffing Jib Capacity Pounds	Jib Ang. Deg.	Jib Point Elev. Feet	Luffing Jib Capacity Pounds	Jib Ang. Deg.	Jib Point Elev. Feet	Luffing Jib Capacity Pounds	Jib Ang. Deg.	Jib Point Elev. Feet	Luffing Jib Capacity Pounds	
45	65.6	273.3	116,800 *b																			45
50	61.0	270.7	111,100 *b																			50
55	56.1	267.5	105,700 *b																			55
60	50.9	263.6	100,800 *b																			60
65	45.4	259.0	96,400 *	63.4	270.6	108,200 *b																65
70	39.1	253.3	92,300 *	58.6	267.7	102,600 *b																70
75	31.9	246.0	84,400 *	53.7	264.2	97,400 *b	63.8	269.2	108,100 *b													75
80	22.6	235.8	77,000 *	48.3	260.0	92,500 *	59.1	266.3	102,200 *b													80
85				42.4	254.9	88,000 *	54.1	262.9	96,600 *b													85
90				35.8	248.5	83,800 *	48.8	258.8	91,500 *													90
95				27.8	240.1	79,800 *	43.0	253.8	86,600 *	61.2	263.7	83,900 *b										95
100				16.4	227.1	73,800 *	36.5	247.5	81,200 *	56.3	260.6	78,800 *b										100
105							28.6	239.3	76,300 *	51.2	256.8	74,100 *b										105
110							17.7	227.0	71,800 *	45.6	252.2	69,900 *										110
115										39.5	246.5	66,100 *										115
120										32.3	239.3	62,500 *	53.1	252.8	59,800 b							120
130										4.8	207.5	56,000 *	41.8	243.3	54,000 *							130
140													26.8	228.0	49,000 *							140
150																49.1	242.8	45,100				150
160																36.8	231.6	41,200				160
170																18.4	211.6	37,800	44.0	230.2	34,000 *	170
																30.1	216.5	31,200 *				170



# Liftcrane Luffing Jib Capacities

Luffing Jib No. 133 or No. 133A On  
 Boom No. 44 With Heavy Lift Top  
 248,700 Lb. Crane Counterweight  
 120,000 Lb. Carbody Counterweight  
 360 Degree Rating

Designed And Tested  
 With The Intent To Be In  
 The Scope of ANSI B30.5

## M-250 SERIES 3

### 200 Ft. Boom, 80 Ft. Jib

Jib Oper. Rad. Feet	88 Degree Boom Angle			83 Degree Boom Angle			80 Degree Boom Angle			75 Degree Boom Angle			70 Degree Boom Angle			65 Degree Boom Angle			60 Degree Boom Angle			Jib Oper. Rad. Feet
	Jib Ang. Deg.	Jib Point Elev. Feet	Luffing Jib Capacity Pounds	Jib Ang. Deg.	Jib Point Elev. Feet	Luffing Jib Capacity Pounds	Jib Ang. Deg.	Jib Point Elev. Feet	Luffing Jib Capacity Pounds	Jib Ang. Deg.	Jib Point Elev. Feet	Luffing Jib Capacity Pounds	Jib Ang. Deg.	Jib Point Elev. Feet	Luffing Jib Capacity Pounds	Jib Ang. Deg.	Jib Point Elev. Feet	Luffing Jib Capacity Pounds	Jib Ang. Deg.	Jib Point Elev. Feet	Luffing Jib Capacity Pounds	
45	68.8	284.2	112,700 *b																			45
50	64.9	282.0	107,300 *b																			50
55	60.8	279.3	102,300 *b																			55
60	56.6	276.2	97,700 *b																			60
65	52.1	272.5	93,400 *	66.9	281.7	104,500 *b																65
70	47.4	268.1	89,300 *	63.0	279.2	99,400 *b																70
75	42.2	262.9	83,200 *	58.8	276.4	94,500 *b	67.3	280.3	104,700 *b													75
80	36.5	256.6	77,300 *	54.5	272.9	90,000 *	63.3	277.9	99,300 *b													80
85	29.7	248.6	70,900 *	49.9	268.9	85,700 *	59.2	275.0	94,200 *b													85
90	21.1	237.7	65,400 *	45.0	264.2	81,700 *	54.9	271.7	89,400 *													90
95				39.5	258.5	78,000 *	50.3	267.7	84,900 *													95
100				33.4	251.5	74,200 *	45.4	263.0	80,500 *	61.0	272.4	77,800 *b										100
105				25.9	242.4	68,200 *	40.1	257.4	75,700 *	56.8	269.3	73,200 *										105
110				15.2	228.4	63,000 *	34.0	250.6	71,300 *	52.4	265.6	69,000 *										110
115							26.7	241.7	67,400 *	47.6	261.3	65,200 *										115
120							16.5	228.5	63,600 *	42.5	256.1	61,800 *										120
130										30.1	242.0	55,700 *	49.4	257.5	53,100 *							130
140										4.4	207.8	50,100 *	38.9	246.8	48,200 *							140
150													25.0	230.2	43,800 *	45.7	247.1	40,600				150
160																34.3	234.8	37,200				160
170																17.2	213.1	34,200	41.0	234.0	30,200 *	170
180																		28.0	219.0	27,700 *		180





# Liftcrane Luffing Jib Capacities

# M-250 SERIES 3

Luffing Jib No. 133 or No. 133A On  
 Boom No. 44 With Heavy Lift Top  
 248,700 Lb. Crane Counterweight  
 120,000 Lb. Carbody Counterweight  
 360 Degree Rating

Designed And Tested  
 With The Intent To Be In  
 The Scope of ANSI B30.5

## 200 Ft. Boom, 90 Ft. Jib

Jib Oper. Rad. Feet	88 Degree Boom Angle			83 Degree Boom Angle			80 Degree Boom Angle			75 Degree Boom Angle			70 Degree Boom Angle			65 Degree Boom Angle			60 Degree Boom Angle			Jib Oper. Rad. Feet
	Jib Ang. Deg.	Jib Point Elev. Feet	Luffing Jib Capacity Pounds	Jib Ang. Deg.	Jib Point Elev. Feet	Luffing Jib Capacity Pounds	Jib Ang. Deg.	Jib Point Elev. Feet	Luffing Jib Capacity Pounds	Jib Ang. Deg.	Jib Point Elev. Feet	Luffing Jib Capacity Pounds	Jib Ang. Deg.	Jib Point Elev. Feet	Luffing Jib Capacity Pounds	Jib Ang. Deg.	Jib Point Elev. Feet	Luffing Jib Capacity Pounds	Jib Ang. Deg.	Jib Point Elev. Feet	Luffing Jib Capacity Pounds	
45	71.3	294.9	108,600 *b																			45
50	67.9	293.0	103,700 *b																			50
55	64.4	290.7	99,100 *b																			55
60	60.7	288.0	94,700 *																			60
65	57.0	284.9	90,600 *	69.6	292.5	100,900 *b																65
70	53.1	281.3	85,800 *	66.2	290.4	96,200 *b																70
75	48.9	277.1	80,200 *	62.6	287.9	91,700 *b																75
80	44.5	272.2	74,900 *	58.9	285.0	87,500 *	66.5	289.0	97,500 *b													80
85	39.7	266.5	69,800 *	55.1	281.7	83,500 *	63.0	286.5	92,700 *b													85
90	34.3	259.7	65,100 *	51.1	277.8	79,700 *	59.3	283.7	88,100 *													90
95	27.9	251.1	60,700 *	46.8	273.3	76,200 *	55.5	280.4	83,800 *													95
100	19.8	239.4	56,400 *	42.2	268.1	72,900 *	51.5	276.6	79,800 *													100
105				37.1	261.9	68,400 *	47.2	272.1	75,700 *	60.9	281.0	73,000 *										105
110				31.4	254.3	63,200 *	42.7	267.0	71,300 *	57.2	278.0	68,800 *										110
115				24.3	244.5	58,600 *	37.6	260.9	67,400 *	53.3	274.4	65,000 *										115
120				14.3	229.6	54,500 *	31.9	253.5	63,700 *	49.1	270.2	61,500 *										120
130							15.5	229.8	55,100 *	39.9	259.8	55,400 *	54.7	270.3	52,700 *							130
140										28.3	244.5	50,200 *	46.3	261.8	47,800 *							140
150										4.1	208.1	45,400 *	36.5	250.2	43,500 *	51.7	260.6	40,000				150
160													23.5	232.2	39,700 *	42.9	251.1	36,800				160
170																32.2	237.7	33,900	48.0	248.5	29,600 *	170
180																16.1	214.5	31,200 *	38.5	237.5	27,200 *	180
190																			26.4	221.3	24,900 *	190



# Liftcrane Luffing Jib Capacities

Luffing Jib No. 133 or No. 133A On  
 Boom No. 44 With Heavy Lift Top  
 248,700 Lb. Crane Counterweight  
 120,000 Lb. Carbody Counterweight  
 360 Degree Rating

Designed And Tested  
 With The Intent To Be In  
 The Scope of ANSI B30.5

## M-250 SERIES 3

### 200 Ft. Boom, 100 Ft. Jib

Jib Oper. Rad. Feet	88 Degree Boom Angle			83 Degree Boom Angle			80 Degree Boom Angle			75 Degree Boom Angle			70 Degree Boom Angle			65 Degree Boom Angle			60 Degree Boom Angle			Jib Oper. Rad. Feet
	Jib Ang. Deg.	Jib Point Elev. Feet	Luffing Jib Capacity Pounds	Jib Ang. Deg.	Jib Point Elev. Feet	Luffing Jib Capacity Pounds	Jib Ang. Deg.	Jib Point Elev. Feet	Luffing Jib Capacity Pounds	Jib Ang. Deg.	Jib Point Elev. Feet	Luffing Jib Capacity Pounds	Jib Ang. Deg.	Jib Point Elev. Feet	Luffing Jib Capacity Pounds	Jib Ang. Deg.	Jib Point Elev. Feet	Luffing Jib Capacity Pounds	Jib Ang. Deg.	Jib Point Elev. Feet	Luffing Jib Capacity Pounds	
45	73.2	305.5	104,500 *b																			45
50	70.2	303.7	100,000 *b																			50
55	67.1	301.7	95,700 *b																			55
60	63.9	299.3	91,600 *																			60
65	60.7	296.6	87,100 *																			65
70	57.3	293.5	82,100 *	68.7	301.3	92,800 *b																70
75	53.8	290.0	77,100 *	65.6	299.1	88,700 *																75
80	50.1	286.0	72,300 *	62.4	296.6	84,800 *																80
85	46.2	281.4	67,700 *	59.1	293.7	81,100 *	65.9	297.7	89,800 *													85
90	42.1	276.1	63,200 *	55.6	290.4	77,500 *	62.7	295.2	85,600 *													90
95	37.5	270.0	59,100 *	52.0	286.6	74,200 *	59.4	292.3	81,600 *													95
100	32.4	262.6	55,200 *	48.3	282.4	71,000 *	55.9	289.1	77,800 *													100
105	26.4	253.5	51,700 *	44.3	277.4	68,000 *	52.4	285.4	74,300 *													105
110	18.7	241.0	48,500 *	39.9	271.8	63,000 *	48.6	281.1	70,600 *	60.8	289.7	67,800 *										110
115				35.1	265.1	58,500 *	44.6	276.3	66,600 *	57.5	286.6	64,100 *										115
120				29.7	257.0	54,400 *	40.3	270.7	63,100 *	54.0	283.1	60,600 *										120
130				13.5	230.7	47,500 *	30.2	256.2	54,900 *	46.4	274.6	54,600 *										130
140							14.7	231.0	48,000 *	37.7	263.2	49,400 *	51.6	275.2	46,800 *							140
150										26.8	246.9	45,000 *	43.8	265.9	42,600 *							150
160										3.8	208.4	40,800 *	34.6	253.3	38,900 *	48.8	265.2	36,000				160
170													22.2	234.2	35,600 *	40.6	254.8	33,100 *				170
180																30.5	240.4	30,400 *	45.3	252.7	26,200 *	180
190																15.3	215.8	27,900 *	36.4	240.8	24,000 *	190
200																			24.9	223.5	22,000 *	200



# Liftcrane Luffing Jib Capacities

# M-250 SERIES 3

Luffing Jib No. 133 or No. 133A On  
 Boom No. 44 With Heavy Lift Top  
 248,700 Lb. Crane Counterweight  
 120,000 Lb. Carbody Counterweight  
 360 Degree Rating

Designed And Tested  
 With The Intent To Be In  
 The Scope of ANSI B30.5

## 200 Ft. Boom, 110 Ft. Jib

Jib Oper. Rad. Feet	88 Degree Boom Angle			83 Degree Boom Angle			80 Degree Boom Angle			75 Degree Boom Angle			70 Degree Boom Angle			65 Degree Boom Angle			60 Degree Boom Angle			Jib Oper. Rad. Feet
	Jib Ang. Deg.	Jib Point Elev. Feet	Luffing Jib Capacity Pounds	Jib Ang. Deg.	Jib Point Elev. Feet	Luffing Jib Capacity Pounds	Jib Ang. Deg.	Jib Point Elev. Feet	Luffing Jib Capacity Pounds	Jib Ang. Deg.	Jib Point Elev. Feet	Luffing Jib Capacity Pounds	Jib Ang. Deg.	Jib Point Elev. Feet	Luffing Jib Capacity Pounds	Jib Ang. Deg.	Jib Point Elev. Feet	Luffing Jib Capacity Pounds	Jib Ang. Deg.	Jib Point Elev. Feet	Luffing Jib Capacity Pounds	
45	74.8	315.9	98,200 *b																			45
50	72.1	314.3	94,800 *b																			50
55	69.3	312.5	91,000 *b																			55
60	66.5	310.4	87,000 *																			60
65	63.6	308.0	82,800 *																			65
70	60.6	305.3	78,400 *	70.7	312.0	89,500 *b																70
75	57.6	302.2	74,000 *	67.9	310.0	85,800 *																75
80	54.4	298.8	69,700 *	65.1	307.8	82,200 *																80
85	51.1	294.9	65,500 *	62.2	305.2	78,700 *																85
90	47.6	290.5	61,400 *	59.1	302.4	75,400 *	65.3	306.4	83,300 *													90
95	43.9	285.5	57,600 *	56.0	299.1	72,300 *	62.4	303.9	79,600 *													95
100	40.0	279.8	53,900 *	52.8	295.4	69,300 *	59.4	301.0	76,000 *													100
105	35.7	273.2	50,500 *	49.4	291.3	66,500 *	56.3	297.8	72,700 *													105
110	30.8	265.4	47,400 *	45.9	286.6	63,800 *	53.1	294.1	69,400 *													110
115	25.2	255.7	44,500 *	42.1	281.3	59,700 *	49.7	290.1	66,000 *	60.8	298.4	63,300 *										115
120	17.8	242.5	41,900 *	38.0	275.2	55,600 *	46.2	285.5	62,400 *	57.7	295.3	59,900 *										120
130				28.2	259.5	48,600 *	38.4	274.2	56,100 *	51.2	288.0	53,900 *										130
140				12.9	231.8	42,900 *	28.7	258.7	49,000 *	44.1	278.7	48,800 *	55.7	287.7	46,000 *							140
150							14.0	232.2	43,300 *	35.9	266.5	44,400 *	49.0	279.8	41,900 *							150
160										25.5	249.2	40,500 *	41.6	269.7	38,200 *							160
170										3.6	208.6	36,800 *	32.9	256.2	35,000 *	46.4	269.5	32,400 *				170
180													21.1	236.0	32,100 *	38.6	258.3	29,700 *				180
190																29.0	243.0	27,300 *	43.1	256.7	23,300 *	190
200																14.5	217.0	25,100 *	34.7	244.0	21,300 *	200
210																23.7	225.6	19,600 *	23.7	225.6	19,600 *	210



# Liftcrane Luffing Jib Capacities

Luffing Jib No. 133 or No. 133A On  
 Boom No. 44 With Heavy Lift Top  
 248,700 Lb. Crane Counterweight  
 120,000 Lb. Carbody Counterweight  
 360 Degree Rating

Designed And Tested  
 With The Intent To Be In  
 The Scope of ANSI B30.5

## M-250 SERIES 3

### 200 Ft. Boom, 120 Ft. Jib

Jib Oper. Rad. Feet	88 Degree Boom Angle			83 Degree Boom Angle			80 Degree Boom Angle			75 Degree Boom Angle			70 Degree Boom Angle			65 Degree Boom Angle			60 Degree Boom Angle			Jib Oper. Rad. Feet
	Jib Ang. Deg.	Jib Point Elev. Feet	Luffing Jib Capacity Pounds	Jib Ang. Deg.	Jib Point Elev. Feet	Luffing Jib Capacity Pounds	Jib Ang. Deg.	Jib Point Elev. Feet	Luffing Jib Capacity Pounds	Jib Ang. Deg.	Jib Point Elev. Feet	Luffing Jib Capacity Pounds	Jib Ang. Deg.	Jib Point Elev. Feet	Luffing Jib Capacity Pounds	Jib Ang. Deg.	Jib Point Elev. Feet	Luffing Jib Capacity Pounds	Jib Ang. Deg.	Jib Point Elev. Feet	Luffing Jib Capacity Pounds	
50	73.6	324.8	88,100 *b																			50
55	71.1	323.2	85,100 *																			55
60	68.5	321.3	81,800 *																			60
65	65.9	319.1	78,300 *																			65
70	63.3	316.7	74,600 *																			70
75	60.6	314.0	70,800 *	69.9	320.8	83,400 *																75
80	57.8	310.9	67,000 *	67.3	318.8	80,100 *																80
85	54.9	307.5	63,200 *	64.7	316.5	76,800 *																85
90	51.9	303.7	59,500 *	62.0	313.9	73,700 *	67.5	317.3	80,600 *													90
95	48.7	299.4	56,000 *	59.2	311.0	70,800 *	64.9	315.1	77,200 *													95
100	45.4	294.7	52,700 *	56.4	307.8	67,900 *	62.2	312.5	73,900 *													100
105	42.0	289.3	49,500 *	53.4	304.2	65,200 *	59.5	309.7	70,800 *													105
110	38.2	283.3	46,400 *	50.4	300.2	62,600 *	56.6	306.5	67,800 *													110
115	34.1	276.3	43,600 *	47.2	295.7	59,900 *	53.7	302.9	64,900 *													115
120	29.5	268.0	41,000 *	43.8	290.7	55,700 *	50.7	298.9	61,700 *	60.7	307.0	59,000 *										120
130	17.0	244.0	36,500 *	36.3	278.5	48,600 *	44.1	289.5	55,500 *	55.0	300.6	53,000 *										130
140				27.0	261.9	42,800 *	36.6	277.5	49,000 *	48.9	292.6	48,000 *										140
150				12.3	232.8	38,000 *	27.5	261.2	43,200 *	42.1	282.6	43,600 *	53.1	292.8	41,000 *							150
160							13.3	233.4	38,300 *	34.3	269.6	39,800 *	46.8	284.2	37,400 *							160
170										24.3	251.3	36,400 *	39.8	273.4	34,200 *	50.8	282.9	31,500 *				170
180										3.4	208.8	33,200 *	31.4	259.1	31,400 *	44.3	273.6	28,800 *				180
190													20.2	237.8	28,800 *	36.8	261.7	26,500 *	48.0	270.8	22,300 *	190
200																27.7	245.4	24,300 *	41.1	260.5	20,400 *	200
210																13.9	218.2	22,300 *	33.1	247.0	18,700 *	210
220																			22.7	227.6	17,100 *	220



# Liftcrane Luffing Jib Capacities

# M-250 SERIES 3

Luffing Jib No. 133 or No. 133A On  
 Boom No. 44 With Heavy Lift Top  
 248,700 Lb. Crane Counterweight  
 120,000 Lb. Carbody Counterweight  
 360 Degree Rating

Designed And Tested  
 With The Intent To Be In  
 The Scope of ANSI B30.5

## 200 Ft. Boom, 130 Ft. Jib

Jib Oper. Rad. Feet	88 Degree Boom Angle			83 Degree Boom Angle			80 Degree Boom Angle			75 Degree Boom Angle			70 Degree Boom Angle			65 Degree Boom Angle			60 Degree Boom Angle			Jib Oper. Rad. Feet
	Jib Ang. Deg.	Jib Point Elev. Feet	Luffing Jib Capacity Pounds	Jib Ang. Deg.	Jib Point Elev. Feet	Luffing Jib Capacity Pounds	Jib Ang. Deg.	Jib Point Elev. Feet	Luffing Jib Capacity Pounds	Jib Ang. Deg.	Jib Point Elev. Feet	Luffing Jib Capacity Pounds	Jib Ang. Deg.	Jib Point Elev. Feet	Luffing Jib Capacity Pounds	Jib Ang. Deg.	Jib Point Elev. Feet	Luffing Jib Capacity Pounds	Jib Ang. Deg.	Jib Point Elev. Feet	Luffing Jib Capacity Pounds	
50	74.9	335.3	82,000 *b																			50
55	72.6	333.7	79,600 *																			55
60	70.3	332.0	76,800 *																			60
65	67.9	330.0	73,900 *																			65
70	65.5	327.8	70,700 *																			70
75	63.0	325.4	67,500 *																			75
80	60.5	322.6	64,200 *	69.1	329.6	77,300 *																80
85	57.9	319.6	60,900 *	66.7	327.5	74,400 *																85
90	55.3	316.2	57,600 *	64.3	325.2	71,600 *																90
95	52.5	312.5	54,400 *	61.8	322.6	68,800 *	67.0	326.1	74,900 *													95
100	49.7	308.4	51,300 *	59.3	319.7	66,100 *	64.5	323.8	72,000 *													100
105	46.7	303.8	48,300 *	56.7	316.5	63,600 *	62.1	321.2	69,000 *													105
110	43.6	298.7	45,500 *	54.0	312.9	61,200 *	59.5	318.3	66,200 *													110
115	40.2	293.0	42,800 *	51.2	309.0	58,900 *	56.9	315.2	63,600 *													115
120	36.6	286.6	40,300 *	48.2	304.7	55,500 *	54.2	311.7	61,000 *													120
130	28.3	270.5	35,800 *	42.0	294.5	48,400 *	48.5	303.5	55,100 *	58.1	312.7	52,600 *										130
140	16.3	245.4	32,100 *	34.8	281.7	42,700 *	42.3	293.4	48,800 *	52.7	305.6	47,600 *										140
150				25.9	264.2	37,900 *	35.1	280.7	43,000 *	46.8	297.0	43,300 *	56.4	305.1	40,600 *							150
160				11.8	233.8	33,900 *	26.3	263.5	38,200 *	40.4	286.3	39,500 *	50.9	297.6	37,000 *							160
170							12.8	234.4	34,100 *	32.9	272.5	36,200 *	44.9	288.4	33,900 *							170
180										23.3	253.4	33,200 *	38.1	276.8	31,100 *	48.7	287.5	28,500 *				180
190										3.2	209.1	30,300 *	30.1	261.8	28,600 *	42.4	277.5	26,200 *				190
200													19.4	239.5	26,300 *	35.3	264.8	24,100 *	46.0	275.1	20,100 *	200
210																26.6	247.8	22,100 *	39.4	264.1	18,400 *	210
220																13.3	219.4	20,300 *	31.8	249.8	16,900 *	220
230																			21.8	229.5	15,400 *	230



# Liftcrane Luffing Jib Capacities

Luffing Jib No. 133 or No. 133A On  
 Boom No. 44 With Heavy Lift Top  
 248,700 Lb. Crane Counterweight  
 120,000 Lb. Carbody Counterweight  
 360 Degree Rating

Designed And Tested  
 With The Intent To Be In  
 The Scope of ANSI B30.5

## M-250 SERIES 3

### 200 Ft. Boom, 140 Ft. Jib

Jib Oper. Rad. Feet	88 Degree Boom Angle			83 Degree Boom Angle			80 Degree Boom Angle			75 Degree Boom Angle			70 Degree Boom Angle			65 Degree Boom Angle			60 Degree Boom Angle			Jib Oper. Rad. Feet
	Jib Ang. Deg.	Jib Point Elev. Feet	Luffing Jib Capacity Pounds	Jib Ang. Deg.	Jib Point Elev. Feet	Luffing Jib Capacity Pounds	Jib Ang. Deg.	Jib Point Elev. Feet	Luffing Jib Capacity Pounds	Jib Ang. Deg.	Jib Point Elev. Feet	Luffing Jib Capacity Pounds	Jib Ang. Deg.	Jib Point Elev. Feet	Luffing Jib Capacity Pounds	Jib Ang. Deg.	Jib Point Elev. Feet	Luffing Jib Capacity Pounds	Jib Ang. Deg.	Jib Point Elev. Feet	Luffing Jib Capacity Pounds	
50	76.0	345.6	76,000 *b																			50
55	73.9	344.2	74,000 *																			55
60	71.7	342.6	71,800 *																			60
65	69.6	340.8	69,400 *																			65
70	67.3	338.8	66,700 *																			70
75	65.1	336.5	64,000 *																			75
80	62.8	334.0	61,200 *	70.7	340.3	74,300 *																80
85	60.5	331.3	58,300 *	68.5	338.4	71,600 *																85
90	58.1	328.2	55,400 *	66.3	336.2	69,000 *																90
95	55.6	324.9	52,500 *	64.0	333.9	66,500 *																95
100	53.1	321.3	49,700 *	61.7	331.2	64,000 *	66.5	334.8	70,400 *													100
105	50.5	317.2	47,000 *	59.3	328.3	61,700 *	64.2	332.4	67,700 *													105
110	47.7	312.8	44,400 *	56.9	325.2	59,400 *	61.9	329.8	65,100 *													110
115	44.9	308.0	41,900 *	54.4	321.7	57,200 *	59.5	327.0	62,500 *													115
120	41.9	302.6	39,500 *	51.8	317.9	55,100 *	57.1	323.8	60,100 *													120
130	35.2	289.8	35,200 *	46.4	309.0	48,000 *	52.1	316.6	54,900 *	60.6	324.3	52,200 *										130
140	27.2	272.9	31,400 *	40.4	298.2	42,200 *	46.6	307.8	48,400 *	55.7	318.0	47,200 *										140
150	15.7	246.8	28,300 *	33.4	284.7	37,500 *	40.6	297.2	42,500 *	50.6	310.4	42,800 *										150
160				24.9	266.4	33,500 *	33.8	283.7	37,700 *	45.0	301.1	39,000 *	54.1	310.3	36,400 *							160
170				11.3	234.8	30,000 *	25.4	265.7	33,700 *	38.8	289.8	35,700 *	48.9	302.2	33,300 *							170
180							12.3	235.5	30,200 *	31.6	275.4	32,700 *	43.1	292.4	30,500 *	52.2	300.6	27,700 *				180
190										22.5	255.3	30,000 *	36.7	280.2	28,000 *	46.8	291.9	25,400 *				190
200										3.1	209.3	27,400 *	29.0	264.3	25,700 *	40.8	281.2	23,300 *				200
210													18.6	241.1	23,600 *	34.0	267.9	21,400 *	44.2	279.2	17,600 *	210
220																25.6	250.1	19,700 *	37.9	267.5	16,100 *	220
230																12.8	220.5	18,000 *	30.6	252.5	14,700 *	230
240																20.9	231.3	13,300 *	20.9	231.3	13,300 *	240



# Liftcrane Luffing Jib Capacities

# M-250 SERIES 3

Luffing Jib No. 133 or No. 133A On  
 Boom No. 44 With Heavy Lift Top  
 248,700 Lb. Crane Counterweight  
 120,000 Lb. Carbody Counterweight  
 360 Degree Rating

Designed And Tested  
 With The Intent To Be In  
 The Scope of ANSI B30.5

## 200 Ft. Boom, 150 Ft. Jib

Jib Oper. Rad. Feet	88 Degree Boom Angle			83 Degree Boom Angle			80 Degree Boom Angle			75 Degree Boom Angle			70 Degree Boom Angle			65 Degree Boom Angle			60 Degree Boom Angle			Jib Oper. Rad. Feet
	Jib Ang. Deg.	Jib Point Elev. Feet	Luffing Jib Capacity Pounds	Jib Ang. Deg.	Jib Point Elev. Feet	Luffing Jib Capacity Pounds	Jib Ang. Deg.	Jib Point Elev. Feet	Luffing Jib Capacity Pounds	Jib Ang. Deg.	Jib Point Elev. Feet	Luffing Jib Capacity Pounds	Jib Ang. Deg.	Jib Point Elev. Feet	Luffing Jib Capacity Pounds	Jib Ang. Deg.	Jib Point Elev. Feet	Luffing Jib Capacity Pounds	Jib Ang. Deg.	Jib Point Elev. Feet	Luffing Jib Capacity Pounds	
55	75.0	354.6	68,900 *																			55
60	73.0	353.1	67,100 *																			60
65	71.0	351.5	65,100 *																			65
70	68.9	349.6	62,900 *																			70
75	66.9	347.5	60,500 *																			75
80	64.8	345.2	58,100 *																			80
85	62.6	342.7	55,600 *	70.0	349.1	69,000 *																85
90	60.4	339.9	53,100 *	67.9	347.1	66,700 *																90
95	58.2	336.9	50,600 *	65.9	344.9	64,300 *																95
100	55.9	333.6	48,100 *	63.7	342.5	62,000 *																100
105	53.6	330.0	45,600 *	61.6	339.9	59,800 *	66.1	343.5	65,600 *													105
110	51.1	326.1	43,200 *	59.4	337.0	57,700 *	63.9	341.1	63,200 *													110
115	48.6	321.8	40,900 *	57.1	333.8	55,700 *	61.8	338.5	60,900 *													115
120	46.0	317.1	38,700 *	54.8	330.4	53,700 *	59.6	335.6	58,600 *													120
130	40.4	306.3	34,600 *	49.9	322.6	48,300 *	55.0	329.1	54,200 *	62.7	335.8	51,500 *										130
140	34.0	292.8	31,000 *	44.7	313.2	42,500 *	50.2	321.3	48,700 *	58.3	330.0	46,400 *										140
150	26.2	275.3	27,800 *	38.9	301.8	37,700 *	45.0	312.0	42,800 *	53.7	323.1	42,100 *										150
160	15.2	248.1	25,100 *	32.3	287.6	33,700 *	39.2	300.7	38,000 *	48.8	314.9	38,300 *	56.9	322.5	35,600 *							160
170				24.0	268.5	30,200 *	32.6	286.7	33,900 *	43.4	305.2	35,000 *	52.1	315.2	32,500 *							170
180				10.9	235.7	26,400 *	24.5	267.9	30,400 *	37.5	293.2	32,100 *	47.1	306.6	29,700 *							180
190							11.9	236.5	27,400 *	30.5	278.1	29,400 *	41.6	296.2	27,300 *	50.3	305.3	24,700 *				190
200										21.7	257.2	27,100 *	35.4	283.4	25,100 *	45.1	296.1	22,600 *				200
210										3.0	209.5	24,700 *	28.0	266.8	23,000 *	39.3	284.8	20,700 *				210
220													18.0	242.7	21,200 *	32.8	270.9	19,000 *	42.6	283.1	15,300 *	220
230																24.7	252.2	17,400 *	36.6	270.9	14,000 *	230
240																12.3	221.5	15,900 *	29.5	255.2	12,700 *	240
250																20.2	233.1	11,500 *	20.2	233.1	11,500 *	250



# Liftcrane Luffing Jib Capacities

Luffing Jib No. 133 or No. 133A On  
 Boom No. 44 With Heavy Lift Top  
 248,700 Lb. Crane Counterweight  
 120,000 Lb. Carbody Counterweight  
 360 Degree Rating

Designed And Tested  
 With The Intent To Be In  
 The Scope of ANSI B30.5

## M-250 SERIES 3

### 200 Ft. Boom, 160 Ft. Jib

Jib Oper. Rad. Feet	88 Degree Boom Angle			83 Degree Boom Angle			80 Degree Boom Angle			75 Degree Boom Angle			70 Degree Boom Angle			65 Degree Boom Angle			60 Degree Boom Angle			Jib Oper. Rad. Feet
	Jib Ang. Deg.	Jib Point Elev. Feet	Luffing Jib Capacity Pounds	Jib Ang. Deg.	Jib Point Elev. Feet	Luffing Jib Capacity Pounds	Jib Ang. Deg.	Jib Point Elev. Feet	Luffing Jib Capacity Pounds	Jib Ang. Deg.	Jib Point Elev. Feet	Luffing Jib Capacity Pounds	Jib Ang. Deg.	Jib Point Elev. Feet	Luffing Jib Capacity Pounds	Jib Ang. Deg.	Jib Point Elev. Feet	Luffing Jib Capacity Pounds	Jib Ang. Deg.	Jib Point Elev. Feet	Luffing Jib Capacity Pounds	
55	75.9	365.0	63,900 *																			55
60	74.1	363.6	62,400 *																			60
65	72.2	362.0	60,800 *																			65
70	70.3	360.3	59,000 *																			70
75	68.4	358.4	57,000 *																			75
80	66.5	356.2	55,000 *																			80
85	64.5	353.9	52,800 *																			85
90	62.5	351.4	50,700 *	69.4	357.9	64,000 *																90
95	60.4	348.6	48,500 *	67.5	355.9	61,900 *																95
100	58.3	345.6	46,300 *	65.5	353.6	59,900 *																100
105	56.2	342.3	44,100 *	63.5	351.2	57,800 *	67.6	354.4	63,200 *													105
110	54.0	338.8	41,900 *	61.5	348.6	55,800 *	65.7	352.2	61,000 *													110
115	51.7	334.9	39,800 *	59.4	345.7	53,900 *	63.7	349.8	58,900 *													115
120	49.4	330.7	37,800 *	57.3	342.5	52,100 *	61.7	347.2	56,800 *													120
130	44.5	321.2	34,000 *	52.9	335.4	47,800 *	57.5	341.2	52,800 *													130
140	39.0	309.8	30,500 *	48.2	327.1	42,000 *	53.1	334.1	48,200 *	60.5	341.7	45,600 *										140
150	32.9	295.8	27,400 *	43.2	317.2	37,200 *	48.5	325.9	42,300 *	56.3	335.4	41,300 *										150
160	25.4	277.5	24,700 *	37.6	305.2	33,100 *	43.4	316.0	37,400 *	51.8	328.0	37,500 *										160
170	14.7	249.4	22,400 *	31.2	290.4	29,700 *	37.9	304.2	33,400 *	47.1	319.3	34,200 *	54.9	327.8	31,600 *							170
180				23.2	270.5	26,700 *	31.5	289.5	29,900 *	41.9	309.0	31,300 *	50.4	320.0	28,900 *							180
190				10.6	236.6	23,400 *	23.7	270.0	26,900 *	36.2	296.5	28,700 *	45.5	310.8	26,500 *							190
200							11.5	237.5	24,200 *	29.5	280.7	26,400 *	40.2	299.8	24,300 *	48.6	309.9	21,700 *				200
210										21.0	259.1	24,200 *	34.2	286.4	22,300 *	43.6	300.1	19,900 *				210
220										2.9	209.7	22,100 *	27.1	269.2	20,500 *	38.0	288.3	18,200 *	46.4	297.5	14,400 *	220
230													17.4	244.2	18,800 *	31.7	273.7	16,700 *	41.2	286.9	13,100 *	230
240																23.9	254.4	15,200 *	35.4	274.0	11,800 *	240
250																11.9	222.5	13,800 *	28.5	257.7	10,700 *	250
260																			19.5	234.8	9,600 *	260





# Liftcrane Luffing Jib Capacities

# M-250 SERIES 3

Luffing Jib No. 133 or No. 133A On  
 Boom No. 44 With Heavy Lift Top  
 248,700 Lb. Crane Counterweight  
 120,000 Lb. Carbody Counterweight  
 360 Degree Rating

Designed And Tested  
 With The Intent To Be In  
 The Scope of ANSI B30.5

## 200 Ft. Boom, 170 Ft. Jib

Jib Oper. Rad. Feet	88 Degree Boom Angle			83 Degree Boom Angle			80 Degree Boom Angle			75 Degree Boom Angle			70 Degree Boom Angle			65 Degree Boom Angle			60 Degree Boom Angle			Jib Oper. Rad. Feet
	Jib Ang. Deg.	Jib Point Elev. Feet	Luffing Jib Capacity Pounds	Jib Ang. Deg.	Jib Point Elev. Feet	Luffing Jib Capacity Pounds	Jib Ang. Deg.	Jib Point Elev. Feet	Luffing Jib Capacity Pounds	Jib Ang. Deg.	Jib Point Elev. Feet	Luffing Jib Capacity Pounds	Jib Ang. Deg.	Jib Point Elev. Feet	Luffing Jib Capacity Pounds	Jib Ang. Deg.	Jib Point Elev. Feet	Luffing Jib Capacity Pounds	Jib Ang. Deg.	Jib Point Elev. Feet	Luffing Jib Capacity Pounds	
60	75.0	374.0	58,000 *																			60
65	73.3	372.5	56,600 *																			65
70	71.5	370.9	55,100 *																			70
75	69.7	369.1	53,500 *																			75
80	67.9	367.1	51,800 *																			80
85	66.1	365.0	50,100 *																			85
90	64.2	362.6	48,200 *	70.7	368.6	60,000 *																90
95	62.3	360.0	46,300 *	68.9	366.7	59,300 *																95
100	60.4	357.3	44,400 *	67.0	364.6	58,400 *																100
105	58.4	354.2	42,500 *	65.2	362.3	56,600 *																105
110	56.4	351.0	40,600 *	63.3	359.9	54,700 *	67.2	363.2	58,900 *													110
115	54.4	347.5	38,700 *	61.4	357.2	52,900 *	65.4	360.9	57,000 *													115
120	52.2	343.7	36,800 *	59.4	354.3	51,200 *	63.5	358.5	55,100 *													120
130	47.8	335.2	33,300 *	55.4	347.8	47,800 *	59.6	353.0	51,400 *													130
140	43.1	325.2	30,000 *	51.2	340.3	42,300 *	55.6	346.5	47,800 *	62.4	353.1	45,100 *										140
150	37.8	313.3	27,100 *	46.7	331.4	37,300 *	51.4	339.0	42,600 *	58.5	347.3	40,800 *										150
160	31.8	298.7	24,400 *	41.8	321.0	33,200 *	46.9	330.2	37,600 *	54.5	340.6	37,100 *										160
170	24.6	279.7	22,100 *	36.4	308.5	29,700 *	42.1	319.9	33,400 *	50.2	332.8	33,800 *	57.2	339.9	31,200 *							170
180	14.2	250.6	20,200 *	30.2	293.1	26,600 *	36.7	307.5	29,900 *	45.6	323.6	30,900 *	53.1	332.8	28,500 *							180
190				22.5	272.5	24,000 *	30.5	292.2	26,800 *	40.6	312.7	28,400 *	48.7	324.5	26,100 *							190
200				10.2	237.5	21,000 *	22.9	272.0	24,200 *	35.1	299.7	26,100 *	44.1	314.9	23,900 *	51.5	323.0	21,300 *				200
210							11.1	238.4	21,800 *	28.6	283.3	23,900 *	38.9	303.4	21,900 *	47.0	314.3	19,500 *				210
220										20.3	260.8	22,000 *	33.1	289.4	20,100 *	42.2	304.0	17,800 *				220
230										2.8	209.9	20,100 *	26.2	271.6	18,500 *	36.8	291.7	16,300 *	45.0	301.7	12,700 *	230
240													16.9	245.6	16,900 *	30.7	276.5	14,900 *	39.9	290.6	11,500 *	240
250																23.2	256.4	13,600 *	34.3	277.1	10,300 *	250
260																11.5	223.5	12,300 *	27.6	260.2	9,300 *	260
270																			18.9	236.4	8,200 *	270