

ALTEC DB35



Digger Derrick

Pole Setting Sheave Height of 10.6 meters

Side Reach of 9.2 meters

Digging Radius up to 6.9 meters

Travel Width of 864mm



Standard Features

- Hydraulic Overload Protection System for Continuous Reliable Load Management
- Radio Remote Controls
- Four (4) Hydraulic Extending Outriggers including Dedicated Switch to Operate All Legs Simultaneously
- Track Driven Carrier with Retractable Tracks to 864mm
- Boom Storage Protection System
- Steel Boom Flares for Pole Setting
- Outrigger/Boom Interlock System, Outrigger Motion Alarm
- Outrigger/Unit Selector Control
- Fully Proportional 3.39kNm Digger and 457mm Auger with Carbide Teeth
- Winch, Hook and Synthetic Rope with 1360kg Rating
- Pendant Carrier Drive Controls
- 23.5hp Diesel Engine and Direct Drive Pump
- 45ltr Fuel Tank
- Adjustable Boom Rest
- Anti 2-Block
- Cargo Platform, Fold Out
- Pole Guides, Manual Tilt
- Pole Carrier Bracket
- 4 Tonne Gvm Trailer
- Hydraulic Tools Below Rotation

General Specifications

Maximum Lift Capacity	1,361kg
Pole Setting Sheave Height	10.6m
Reach from Centreline of Rotation	9.2m
Dig Radius from Centreline of Rotation	
Minimum	3.2m
Maximum	5.9m
Boom Articulation, degrees	-6 to 75
Rotation	250 degrees
Digger Capacity	3.39kNm
Maximum Driving Slope	
Side-to-side	10 degrees
Front-to-back	15 degrees
Travel Width, Minimum	864mm
Travel Height, approximate	2.0m

Options

- 2.4m Fibreglass Material Handling Jib
- Pole Puller
- Wheel Chocks
- Outrigger Pads
- Track Mats, Set of 6

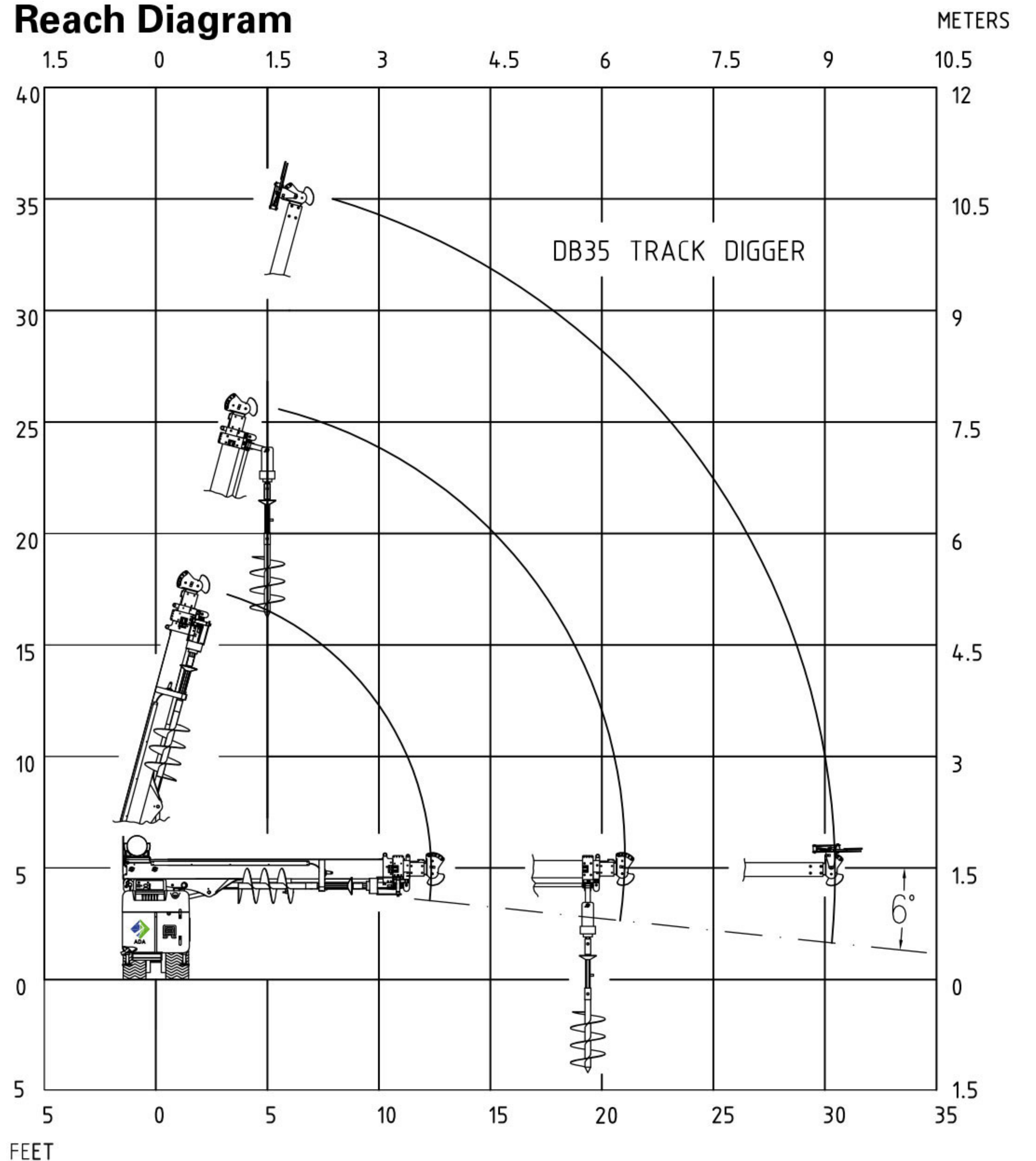


Lower Control Station



Radio Remote Controls

Reach Diagram



Attec

