

# PK 150002

*Performance*

**PALFINGER** CRANE

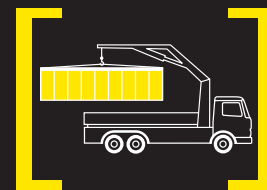


SUPERIOR CRANE TECHNOLOGY



# THE MOST POWERFUL OF ITS CLASS

In the royal class of heavy load cranes, PK 150002 *Performance* sets new standards in terms of quality, working range and lifting capacity. This large high-tech crane masters extreme tasks and maximum loads just as easily as challenging precision work. Manufactured from first-class, super-strong fine grain constructional steel, it impresses with its light weight and extraordinary performance. PK 150002 *Performance* – a new milestone in crane construction by PALFINGER.





# EXTREMELY HIGH LIFTING CAPACITY



## Advanced Package

- 2 oil coolers installed
- HPLS
- Capacity display on control console
- Radio control
- PALTRONIC 50



## Load holding valves

They prevent the crane booms from dropping and are fitted as standard on the main boom cylinder, the extension boom cylinders, and the swivel cylinder. The valves are positioned in such a way that they are protected from being damaged.



## Control

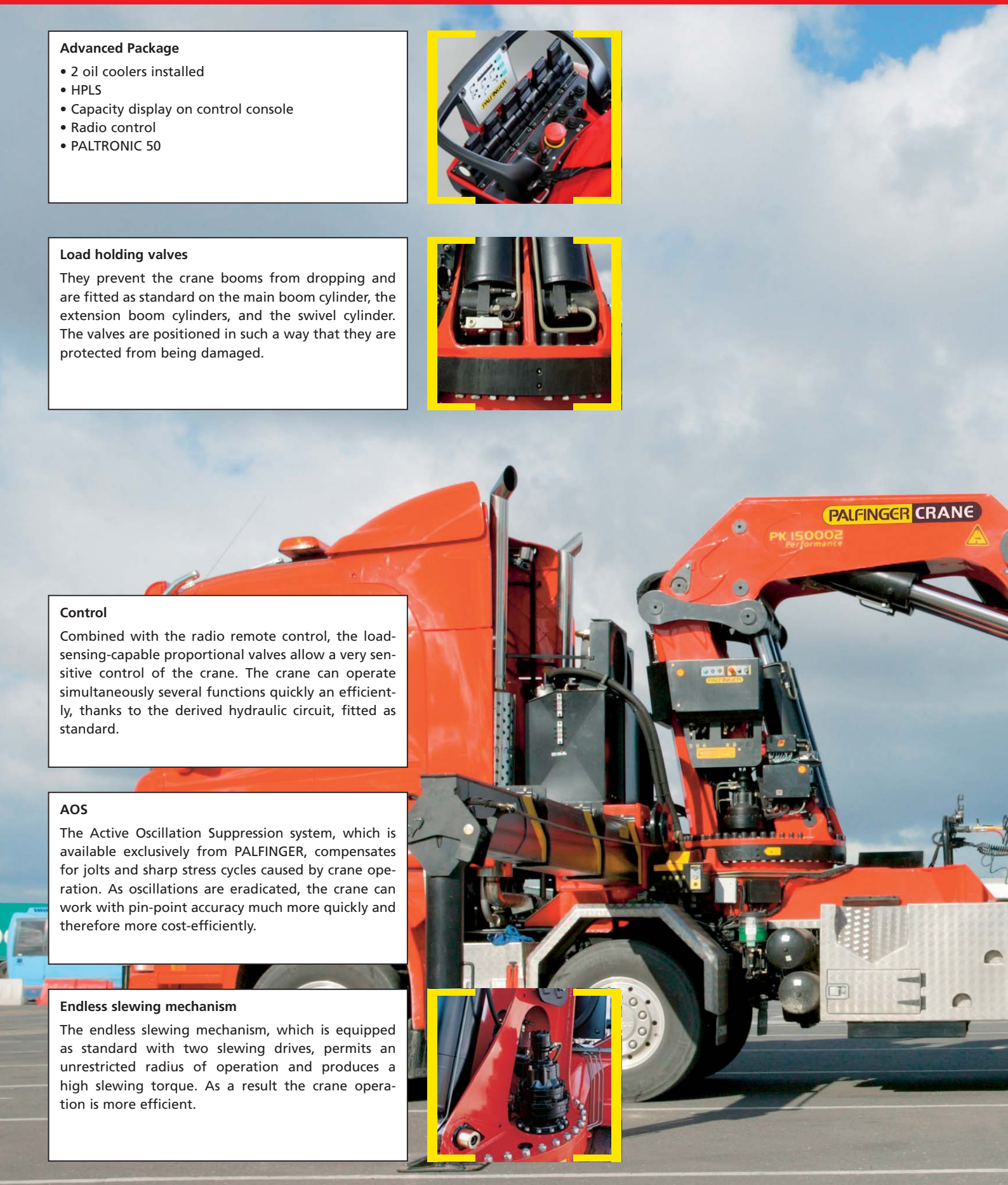
Combined with the radio remote control, the load-sensing-capable proportional valves allow a very sensitive control of the crane. The crane can operate simultaneously several functions quickly and efficiently, thanks to the derived hydraulic circuit, fitted as standard.

## AOS

The Active Oscillation Suppression system, which is available exclusively from PALFINGER, compensates for jolts and sharp stress cycles caused by crane operation. As oscillations are eradicated, the crane can work with pin-point accuracy much more quickly and therefore more cost-efficiently.

## Endless slewing mechanism

The endless slewing mechanism, which is equipped as standard with two slewing drives, permits an unrestricted radius of operation and produces a high slewing torque. As a result the crane operation is more efficient.





# ENORMOUS OUTREACH



## Hose equipment for accessories

This option provides the oil supply for accessories. The hoses are routed in compact troughs and plastic link chains. Optimal protection is achieved.



## Functional Design

- Protection cover for the control valve
- Hoses covered behind the crane column



## Additional fly jibs

To extend the range of applications of the PK 150002 *Performance*, additional fly jibs are available in several designs and for various boom versions.



## Integration of the base frame

The direct integration of the base frame into the supporting frame gives the crane a low overall height.

## Return oil utilisation

The high speed of the extension system is impressive. It results from return oil utilisation, which is installed as standard, along with generously dimensioned hydraulic lines. This makes for increased efficiency in any type of application!

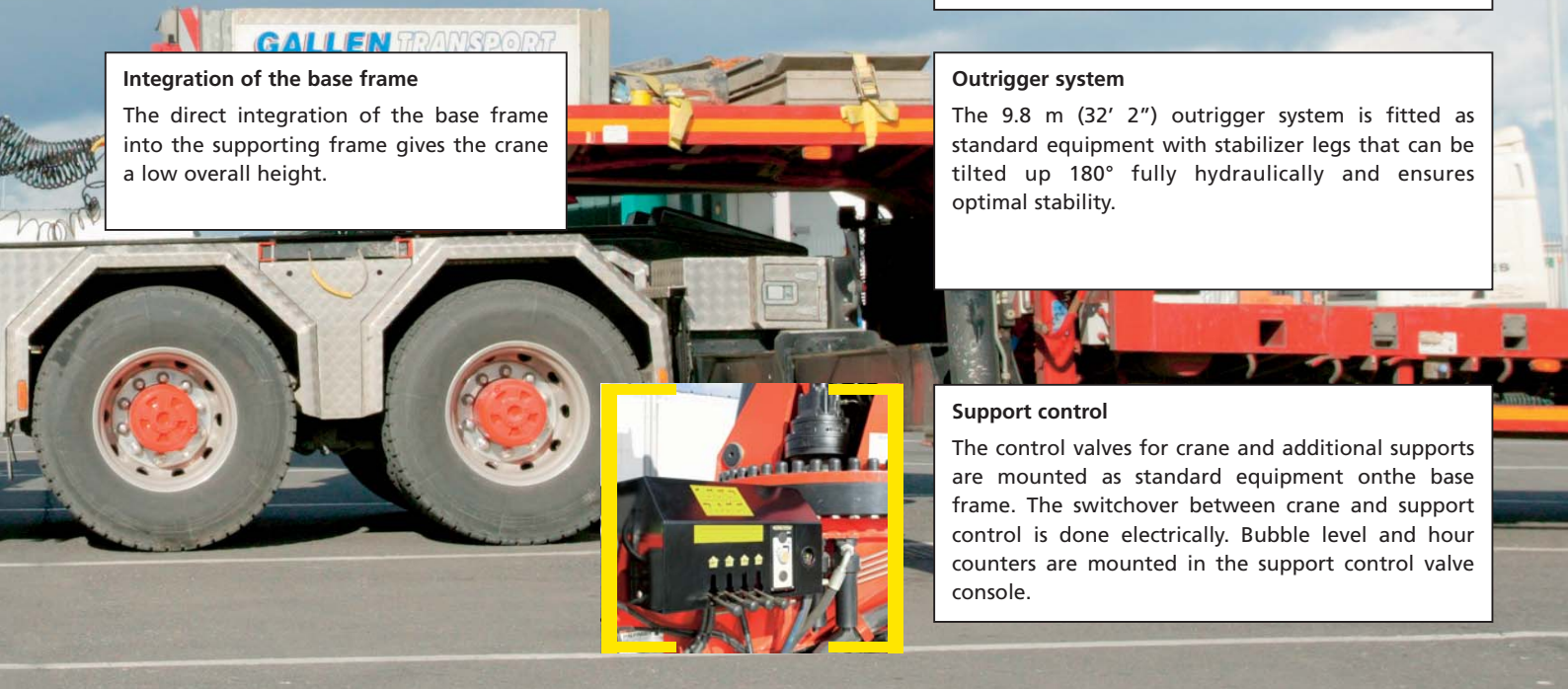
## Outrigger system

The 9.8 m (32' 2") outrigger system is fitted as standard equipment with stabilizer legs that can be tilted up 180° fully hydraulically and ensures optimal stability.



## Support control

The control valves for crane and additional supports are mounted as standard equipment on the base frame. The switchover between crane and support control is done electrically. Bubble level and hour counters are mounted in the support control valve console.



## Max. lifting capacities

<b>PK 150002 B Performance</b>			
Max. lifting capacities 40000 kg 88180 lbs			
Outreach		Capacity	
hydraulic			
4.2 m	13' 9"	26580 kg	58600 lbs
5.3 m	17' 5"	21290 kg	46940 lbs
6.9 m	22' 8"	16500 kg	36380 lbs
8.6 m	28' 3"	13260 kg	29230 lbs

<b>PK 150002 C Performance</b>			
Max. lifting capacities 40000 kg 88180 lbs			
Outreach		Capacity	
hydraulic			
4.2 m	13' 9"	26220 kg	57800 lbs
5.3 m	17' 5"	20900 kg	46080 lbs
6.9 m	22' 8"	16090 kg	35470 lbs
8.6 m	28' 3"	12910 kg	28460 lbs
10.5 m	34' 5"	10620 kg	23410 lbs

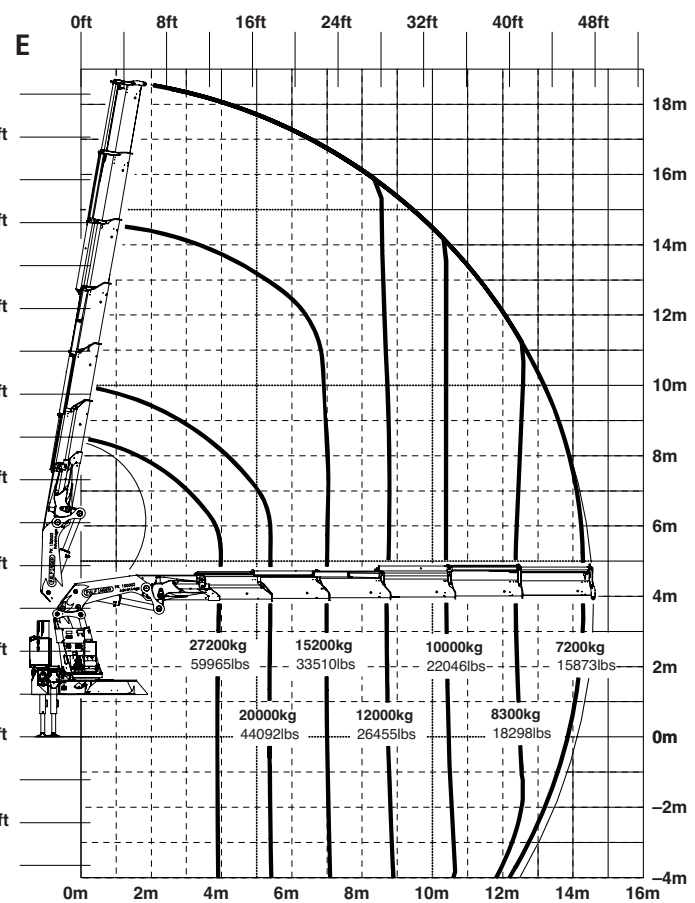
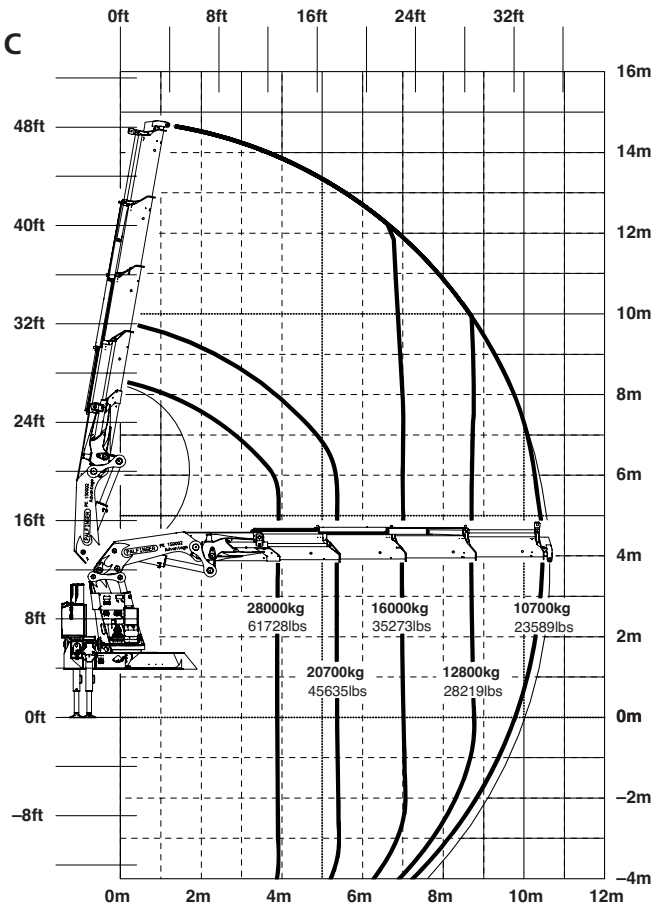
<b>PK 150002 D Performance</b>			
Max. lifting capacities 40000 kg 88180 lbs			
Outreach		Capacity	
hydraulic			
4.2 m	13' 9"	25820 kg	56920 lbs
5.3 m	17' 5"	20500 kg	45190 lbs
6.9 m	22' 8"	15680 kg	34570 lbs
8.6 m	28' 3"	12500 kg	27560 lbs
10.5 m	34' 5"	10180 kg	22440 lbs
12.4 m	43' 0"	8690 kg	19160 lbs

<b>PK 150002 E Performance</b>			
Max. lifting capacities 40000 kg 88180 lbs			
Outreach		Capacity	
hydraulic			
4.2 m	13' 9"	25520 kg	56260 lbs
5.3 m	17' 5"	20170 kg	44470 lbs
6.9 m	22' 8"	15320 kg	33770 lbs
8.6 m	28' 3"	12120 kg	26720 lbs
10.5 m	34' 5"	9900 kg	21830 lbs
12.4 m	43' 0"	8240 kg	18170 lbs
14.3 m	46' 11"	7140 kg	15740 lbs
manual			
16.5 m	64' 0"	5990 kg	13210 lbs
18.9 m	62' 0"	5050 kg	11130 lbs

<b>PK 150002 G Performance</b>			
Max. lifting capacities 40000 kg 88180 lbs			
Outreach		Capacity	
hydraulic			
4.2 m	13' 9"	25060 kg	55250 lbs
5.3 m	17' 5"	19650 kg	43320 lbs
6.9 m	22' 8"	14730 kg	32470 lbs
8.6 m	28' 3"	11480 kg	25310 lbs
10.5 m	34' 5"	9130 kg	20130 lbs
12.4 m	43' 0"	7540 kg	16620 lbs
14.3 m	46' 11"	6420 kg	14150 lbs
16.6 m	54' 6"	5460 kg	12040 lbs
18.8 m	61' 8"	4800 kg	10580 lbs
manual			
21.2 m	64' 0"	4090 kg	9020 lbs
23.9 m	78' 5"	3150 kg	6940 lbs

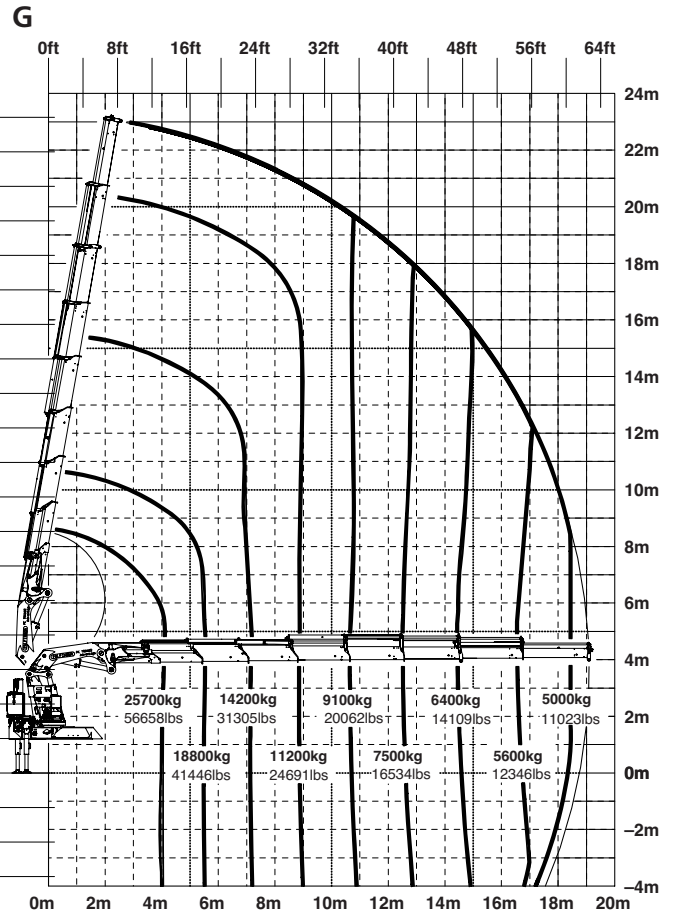
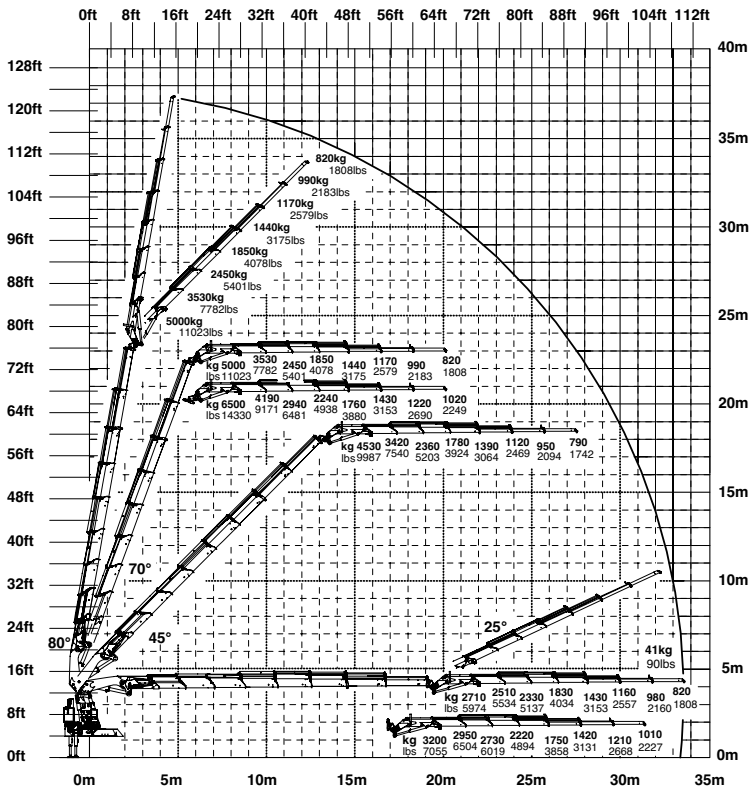
<b>PK 150002 H Performance</b>			
Max. lifting capacities 40000 kg 88180 lbs			
Outreach		Capacity	
hydraulic			
4.2 m	13' 9"	24800 kg	54670 lbs
5.3 m	17' 5"	19480 kg	42950 lbs
6.9 m	22' 8"	14520 kg	32010 lbs
8.6 m	28' 3"	11250 kg	24800 lbs
10.5 m	34' 5"	8870 kg	19550 lbs
12.4 m	40' 8"	7270 kg	16030 lbs
14.3 m	46' 11"	6140 kg	13540 lbs
16.6 m	54' 6"	5170 kg	11400 lbs
18.8 m	61' 8"	4500 kg	9920 lbs
21.2 m	69' 7"	3980 kg	8770 lbs
manual			
23.9 m	78' 5"	3000 kg	6610 lbs
26.6 m	87' 3"	2200 kg	4850 lbs

## PK 150002 Performance

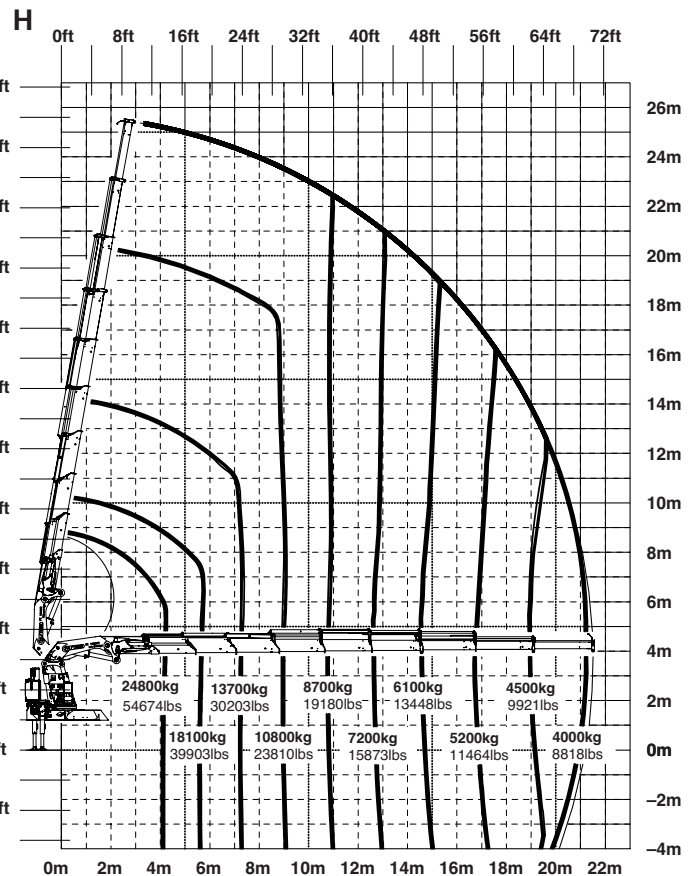
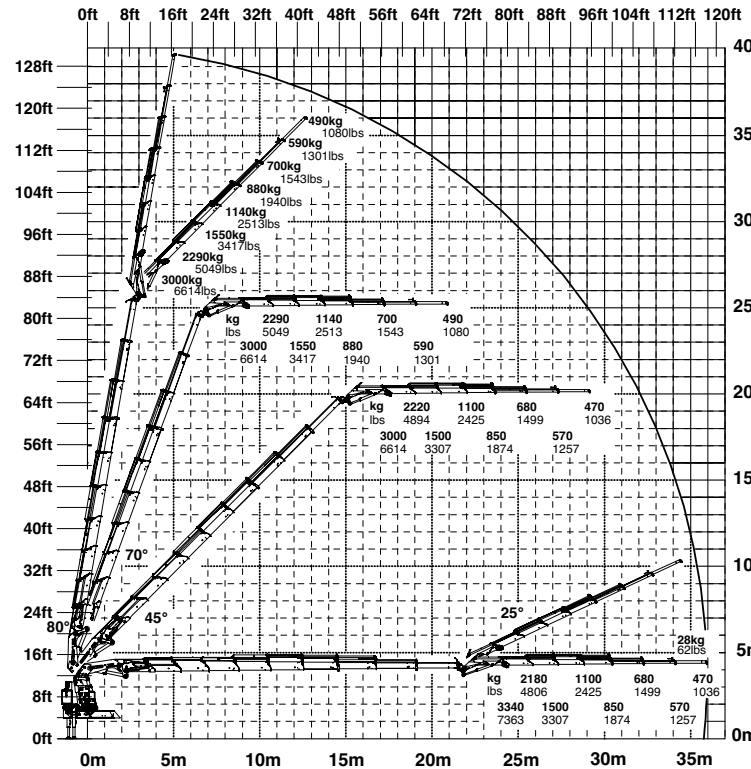


# HIGH-TECH FOR EVEN MORE EFFICIENCY

## PK 150002 Performance G PJ170E JV1 DPS



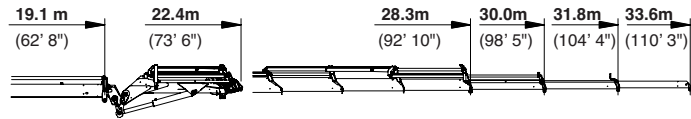
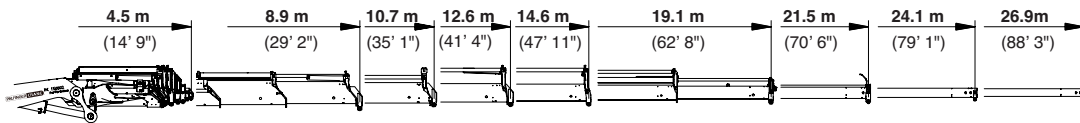
## H PJ125E JV1



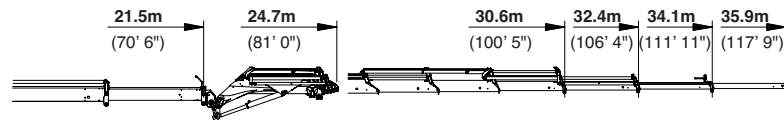
The outraches stated are with a boom angle of 20° and are therefore not the maximum.



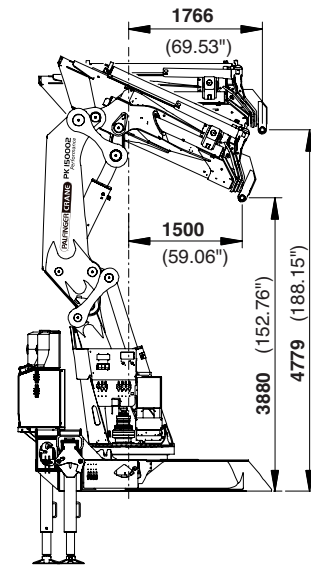
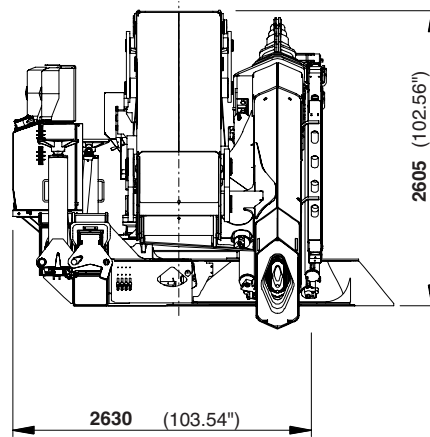
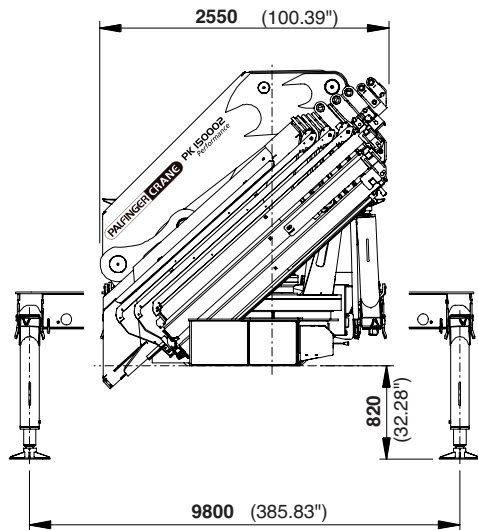
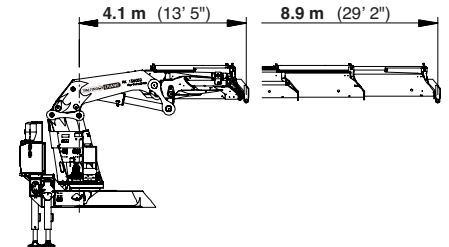
# PK 150002 PERFORMANCE: FAST AND ACCURATE



PK 150002 G PJ170E



PK 150002 H PJ125E



PK 150002 Performance		
Technical Specifications		
Max. lifting moment	116.8 mt/1146.0 kNm	844940 ft.lbs
Max. lifting capacity	40000 kg/392.4 kN	88180 lbs
Max. hydraulic outreach	21.5 m	70' 6"
Max. manual outreach	26.9 m	88' 3"
Max. outreach (with fly-jib)	36.0 m	118' 1"
Slewing angle	endless	

PK 150002 B Performance		
Standard crane		
Slewing torque	12.0 mt/118.0 kNm	87000 ft.lbs
Outreach	8.9 m	29' 2"
Stabilizer spread standard	9.8 m	32' 2"
Fitting space required	min. 2.63 m / 8' 8" max. 2.79 m / 9'	
Width folded	2.55 m	8' 4"
Max. operating pressure	330 bar	4785 psi
Recommended pump capacity with RC- and LS-system	100 l/min	22.0 imp.gal./min 26.4 US gal./min
Dead weight standard crane	11.330 kg	24980 lbs

Applications shown in the leaflet do not always correspond to the standard specifications. Design and specification are subject to change without prior notice.

