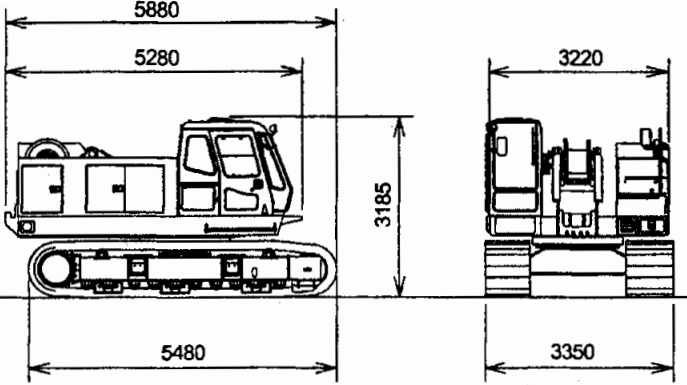
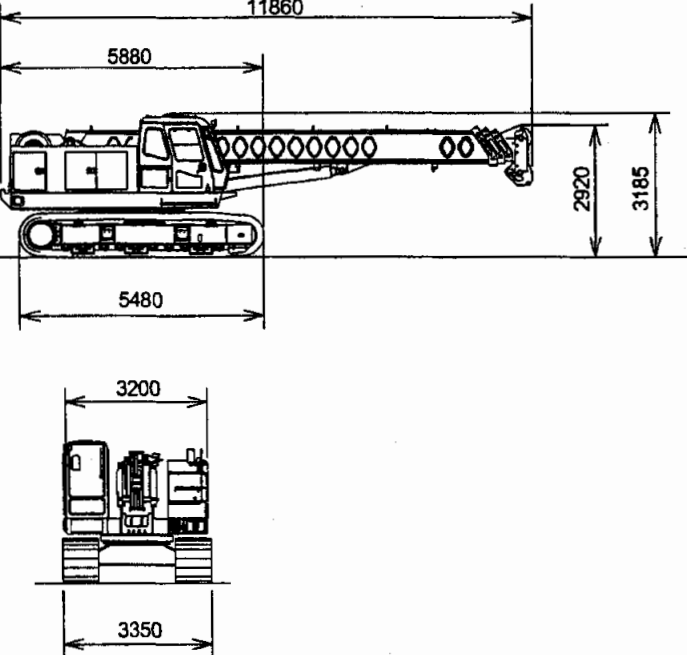
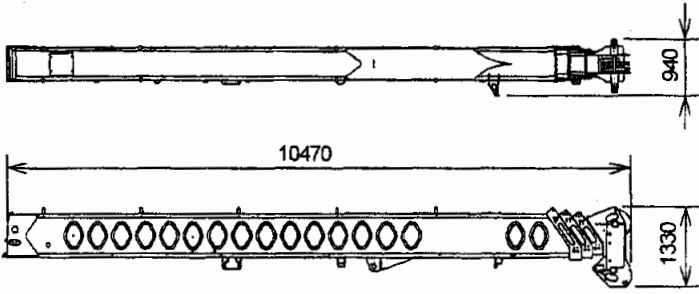
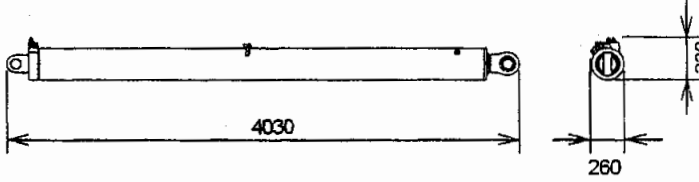
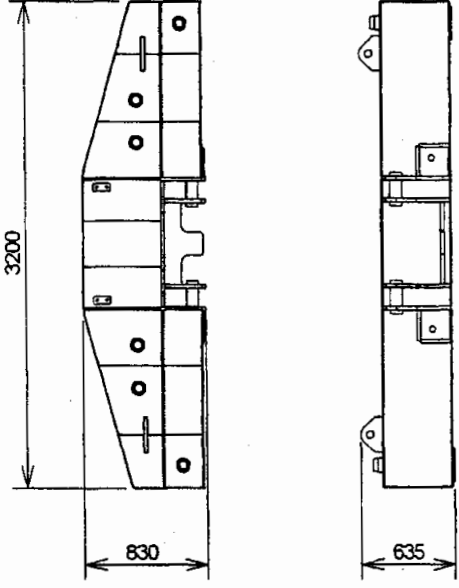


TRANSPORTATION

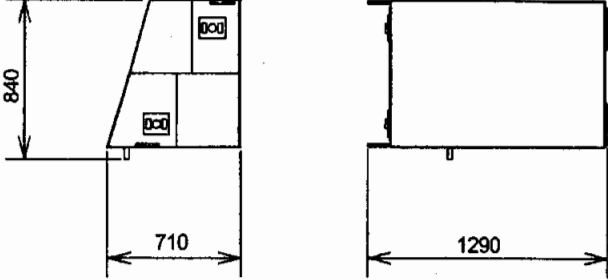
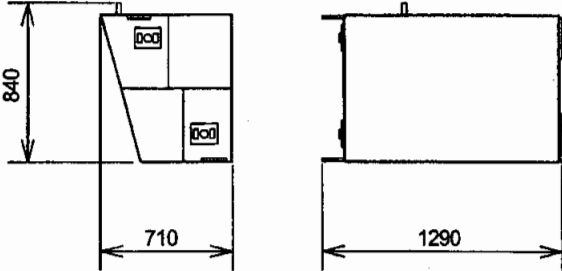
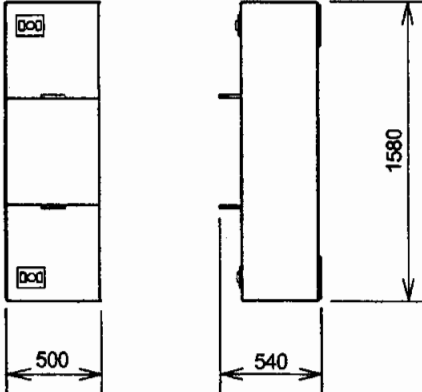
APPROX. WEIGHTS AND DIMENSIONS OF DISASSEMBLED UNITS FOR TRANSPORTATION.

Part Name	Q'ty	Weight (kg)	Dimension (mm)
Base Machine with Wire Rope	1	25800	 <p style="text-align: right; font-size: small;">M23B-15-001</p>
Base Machine with Wire Rope and Boom	1	33100	 <p style="text-align: right; font-size: small;">M23B-15-002</p>

TRANSPORTATION

Part Name	Q'ty	Weight (kg)	Dimension (mm)
Boom Ass'y	1	6400	 <p style="text-align: right; font-size: small;">M23B-15-003</p>
Boom Hoist Cylinder	1	900	 <p style="text-align: right; font-size: small;">M23B-15-004</p>
Counterweight (Base)	1	4900	 <p style="text-align: right; font-size: small;">M23B-15-005</p>

TRANSPORTATION

Part Name	Q'ty	Weight (kg)	Dimension (mm)
Counterweight (Left)	1	2800	
Counterweight (Right)	1	2800	
Counterweight (Sub)	1	1080	

M23B-15-006

M23B-15-007

M23B-15-008

TRANSPORTATION

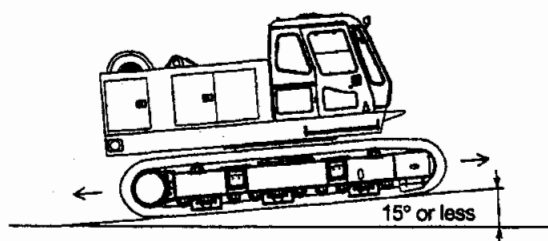
OPERATIONAL CONDITIONS ON PARTIALLY DISASSEMBLED MACHINES

Machine stability is greatly affected depending on how many counterweights are mounted, or whether the boom is attached or the crawlers are extended. Refer to the following pages for the operational conditions on partially disassembled machines.

CAUTION: If the machine is operated under the conditions shown with "x" mark in the charts on the following pages, the machine will tip over. Never operate the machine under the conditions shown with "x" mark.

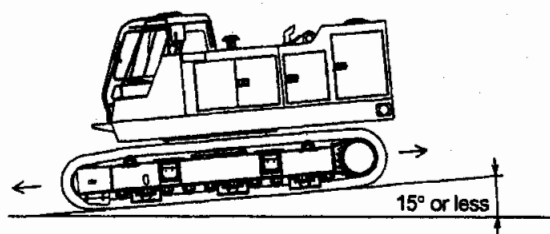
Terminology used in the charts means as follows:

1. When expressed by "with Crane Boom", the boom must be held horizontally.
2. The maximum gradeability is 15°. Never attempt to travel a surface with more than 15° slope angle.
3. "Forward Travel" when climbing a slope means traveling with the cab facing uphill.
4. "Reverse Travel" when climbing a slope means traveling with the cab facing downhill.
5. Swing operation should be performed on solid and level ground.



M23M-09-001

FORWARD TRAVEL



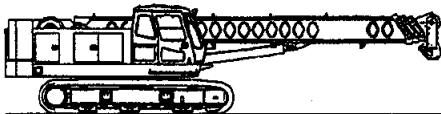
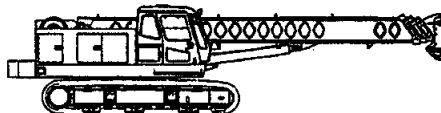
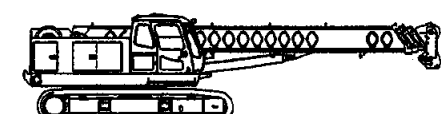



M23B-09-002

REVERSE TRAVEL

TRANSPORTATION

⚠ CAUTION: Never operate the machine under the conditions shown with "x" mark in the charts.

○ : Operational
 △ : Operational under certain conditions.
 × : Not Operational

Partially Disassembled Machines	Crane Movement	Level Surface Travel	Slope Travel		Swing		Crawler Ext. / Ret. Operation
			Forward Travel	Reverse Travel	Crawler Extended	Crawler Retracted	
		○	○	○	○	×	×
M23B-09-003 (Counterweight/Full)							
		○	○	○	○	○	○
M23B-09-004 (Counterweight/Base only)							
		○	○	○	○	○	○
M23B-09-005 (Counterweight/Nothing)							
		△	△	△	×	×	×
M23B-09-006 (Counterweight/Full)							
		○	○	○	○	○	○
M23B-09-007 (Counterweight/Base only)							
		○	○	○	○	○	○
M23B-09-008 (Counterweight/Nothing)							