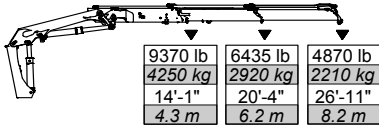


# 20/138SL

## Articulating Crane Technical Specifications

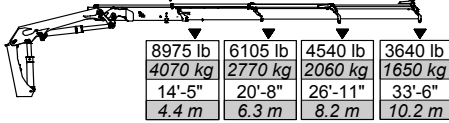
### 20/138SL Lifting Capacities

#### 20/138SL - 2 Hydraulic



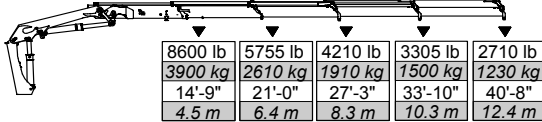
9370 lb 4250 kg 14'-1" 4.3 m	6435 lb 2920 kg 20'-4" 6.2 m	4870 lb 2210 kg 26'-11" 8.2 m
---------------------------------------	---------------------------------------	--

#### 20/138SL - 3 Hydraulic



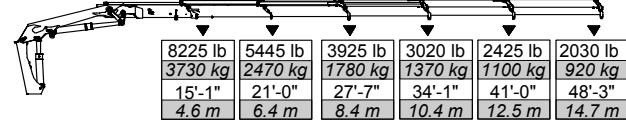
8975 lb 4070 kg 14'-5" 4.4 m	6105 lb 2770 kg 20'-8" 6.3 m	4540 lb 2060 kg 26'-11" 8.2 m	3640 lb 1650 kg 33'-6" 10.2 m
---------------------------------------	---------------------------------------	--	--

#### 20/138SL - 4 Hydraulic



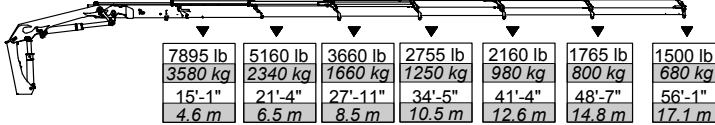
8600 lb 3900 kg 14'-9" 4.5 m	5755 lb 2610 kg 21'-0" 6.4 m	4210 lb 1910 kg 27'-3" 8.3 m	3305 lb 1500 kg 33'-10" 10.3 m	2710 lb 1230 kg 40'-8" 12.4 m
---------------------------------------	---------------------------------------	---------------------------------------	---	--

#### 20/138SL - 5 Hydraulic



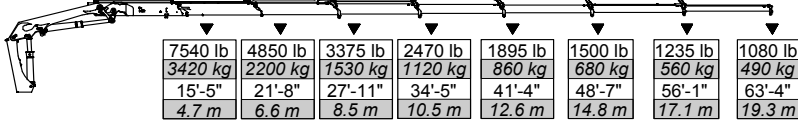
8225 lb 3730 kg 15'-1" 4.6 m	5445 lb 2470 kg 21'-0" 6.4 m	3925 lb 1780 kg 27'-7" 8.4 m	3020 lb 1370 kg 34'-1" 10.4 m	2425 lb 1100 kg 41'-0" 12.5 m	2030 lb 920 kg 48'-3" 14.7 m
---------------------------------------	---------------------------------------	---------------------------------------	--	--	---------------------------------------

#### 20/138SL - 6 Hydraulic



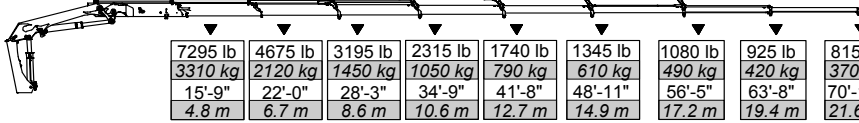
7895 lb 3580 kg 15'-1" 4.6 m	5160 lb 2340 kg 21'-4" 6.5 m	3660 lb 1660 kg 27'-11" 8.5 m	2755 lb 1250 kg 34'-5" 10.5 m	2160 lb 980 kg 41'-4" 12.6 m	1765 lb 800 kg 48'-7" 14.8 m	1500 lb 680 kg 56'-1" 17.1 m
---------------------------------------	---------------------------------------	--	--	---------------------------------------	---------------------------------------	---------------------------------------

#### 20/138SL - 7 Hydraulic



7540 lb 3420 kg 15'-5" 4.7 m	4850 lb 2200 kg 21'-8" 6.6 m	3375 lb 1530 kg 27'-11" 8.5 m	2470 lb 1120 kg 34'-5" 10.5 m	1895 lb 860 kg 41'-4" 12.6 m	1500 lb 680 kg 48'-7" 14.8 m	1235 lb 560 kg 56'-1" 17.1 m	1080 lb 490 kg 63'-4" 19.3 m
---------------------------------------	---------------------------------------	--	--	---------------------------------------	---------------------------------------	---------------------------------------	---------------------------------------

#### 20/138SL - 8 Hydraulic



7295 lb 3310 kg 15'-9" 4.8 m	4675 lb 2120 kg 22'-0" 6.7 m	3195 lb 1450 kg 28'-3" 8.6 m	2315 lb 1050 kg 34'-9" 10.6 m	1740 lb 790 kg 41'-8" 12.7 m	1345 lb 610 kg 48'-11" 14.9 m	1080 lb 490 kg 56'-5" 17.2 m	925 lb 420 kg 63'-8" 19.4 m	815 lb 370 kg 70'-10" 21.6 m
---------------------------------------	---------------------------------------	---------------------------------------	--	---------------------------------------	--	---------------------------------------	--------------------------------------	---------------------------------------



Note: Crane appearance subject to change.

### 20/138SL Specifications

Outrigger Pad Diameter	7" (175 mm)
Crane Storage Height	7' 6" (2295 mm)
Mounting Space ***	2' 11" (880 mm)
Rotational Torque	17,555 ft lb (2.4 tm)
Rotation	400°
Optimum Pump Performance	14.5 gpm (55 L/min)
System Pressure	4,785 psi (330 Bar)
Oil Reservoir Capacity	23.8 gal (90 L)
Outrigger Extension Span	
Standard (manual out / hydraulic down)	18' 3" (5575 mm)
Weight	605 lb (275 kg)
Option (hydraulic out / hydraulic down)	21' 2" (6455 mm)
Weight	785 lb (355 kg)

### Minimum Chassis Specifications

Front Axle Rating (GAWR)	14,000 lb (6350 kg)
Rear Axle Rating (GAWR)	40,000 lb (18,145 kg)
Resistance To Bending Moment	2,000,000 in-lb (230,425 kg-m)

20/138SL	2 - Hydraulic	3 - Hydraulic	4 - Hydraulic	5 - Hydraulic	6 - Hydraulic	7 - Hydraulic	8 - Hydraulic
Crane Rating*	133,085 ft lb (18.4 tm)	129,470 ft lb (17.9 tm)	126,580 ft lb (17.5 tm)	122,960 ft lb (17 tm)	120,070 ft lb (16.6 tm)	116,450 ft lb (16.1 tm)	114,280 ft lb (15.8 tm)
Maximum Horizontal Reach	27' 3" (8.3 m)	33' 10" (10.3 m)	41' 0" (12.5 m)	48' 7" (14.8 m)	56' 5" (17.2 m)	63' 8" (19.4 m)	71' 2" (21.7 m)
Maximum Vertical Reach	35' 1" (10.7 m)	42' 0" (12.8 m)	49' 3" (15.0 m)	56' 5" (17.2 m)	64' 4" (19.6 m)	71' 10" (21.9 m)	79' 1" (24.1 m)
Maximum Capacity	15,345 lb (6960 kg)	14,505 lb (6580 kg)	13,715 lb (6220 kg)	12,985 lb (5890 kg)	12,745 lb (5780 kg)	12,080 lb (5480 kg)	11,550 lb (5240 kg)
Max Cap @ Max Reach	4870 lb (2210 kg)	3640 lb (1650 kg)	2710 lb (1230 kg)	2030 lb (920 kg)	1500 lb (680 kg)	1080 lb (490 kg)	815 lb (370 kg)
Crane Weight **	3900 lb (1770 kg)	4245 lb (1925 kg)	4585 lb (2080 kg)	4895 lb (2220 kg)	5170 lb (2345 kg)	5400 lb (2450 kg)	5590 lb (2535 kg)
Hook Approach							
Vertical	7' 3" (2.21 m)	7' 6" (2.29 m)	7' 10" (2.38 m)	8' 1" (2.47 m)	8' 5" (2.56 m)	8' 8" (2.65 m)	9' 0" (2.74 m)
Horizontal	2' 3" (0.69 m)	2' 5" (0.74 m)	2' 7" (0.79 m)	2' 9" (0.84 m)	2' 11" (0.89 m)	3' 1" (0.94 m)	3' 3" (1.0 m)
Center of Gravity - Stored							
Vertical	2' 6" (770 mm)	2' 8" (820 mm)	2' 8" (815 mm)	2' 9" (835 mm)	2' 10" (855 mm)	2' 10" (875 mm)	2' 11" (890 mm)
Horizontal (C/L RotTo Bridge)	13.4" (340 mm)	12.4" (315 mm)	12.2" (310 mm)	11.8" (300 mm)	11.2" (285 mm)	10.6" (270 mm)	10.4" (265 mm)

\* Crane rating (ft-lb) is the rated load (lb) multiplied by the respective distance (ft) from centerline of rotation with all extensions retracted and the inner and outer booms in a horizontal position, per ANSI B30.22.

\*\* Crane weight does not include outriggers. \*\*\* Maximum swing clearance radius required is 25" (635 mm) at 8' (2430 mm).

© 2009 Iowa Mold Tooling Co., Inc. All Rights Reserved.



An Oshkosh Corporation Company



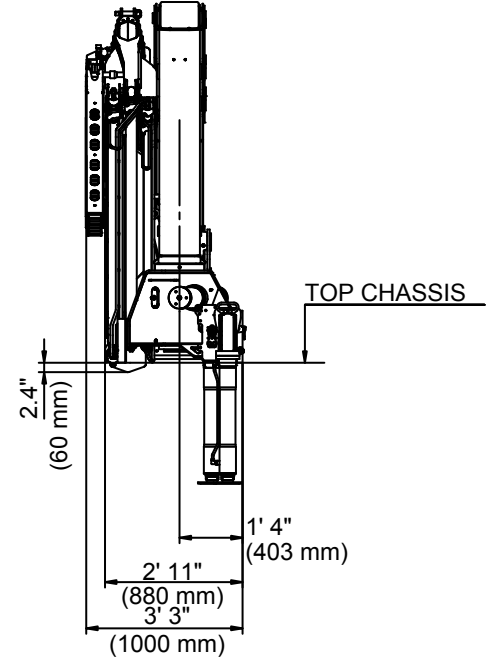
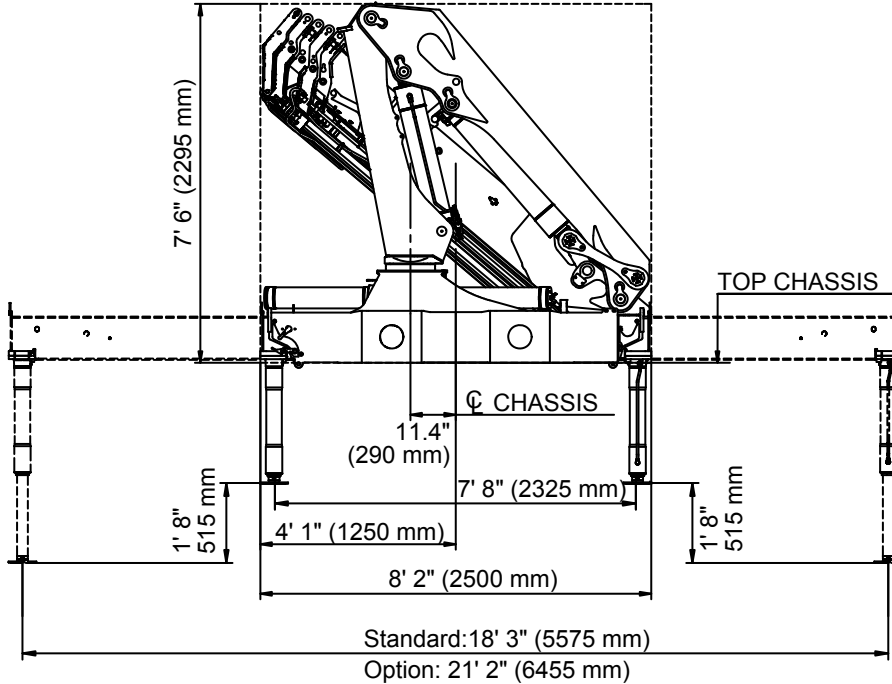
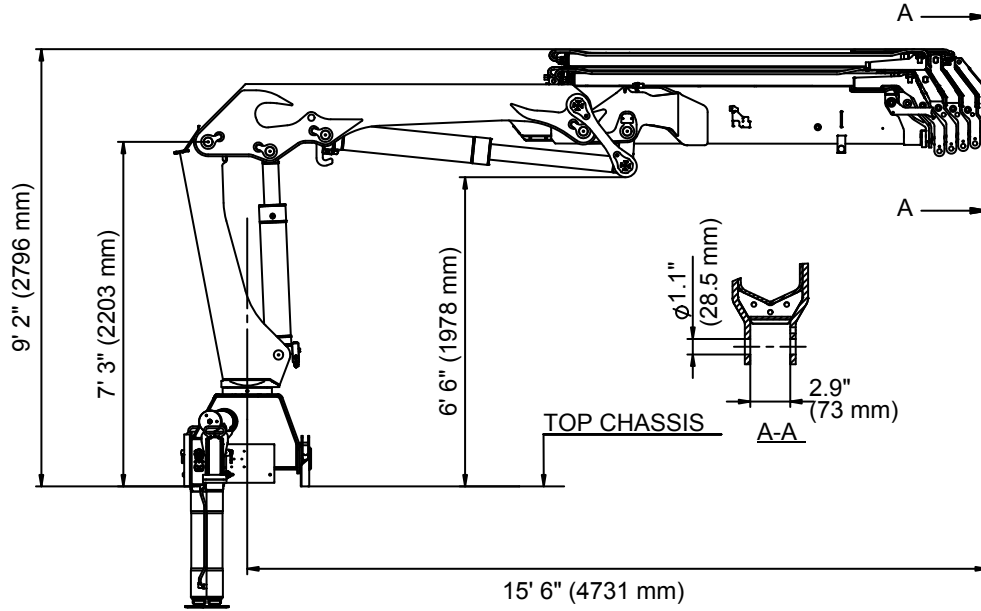


# 20/138SL Articulating Crane



An Oshkosh Corporation Company

## Geometric Configurations



### Iowa Mold Tooling Co., Inc.

500 Highway 18 West P.O. Box 189 Garner, Iowa 50438-0189  
800-247-5958 641-923-3711 Fax: 641-923-6063 www.imt.com

IMT reserves the right to make changes in engineering, design, and specifications; add improvements; or discontinue manufacturing at any time without notice or obligation.

IMT and the IMT LOGO are registered trademarks or trademarks of Iowa Mold Tooling Co., Inc., Garner, IA, USA.

© 2009 Iowa Mold Tooling Co., Inc. All Rights Reserved.