



Hydraulic Truck Crane

TT-800XXL

Maximum Lifting Capacity 80 Short-Ton

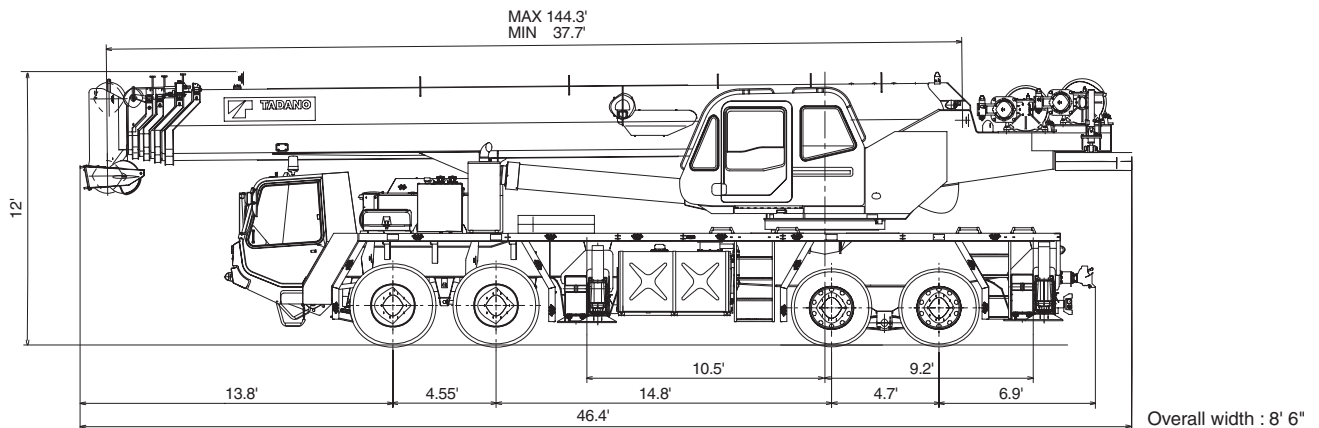


SPECIFICATIONS

MODEL	TT-800XXL-1
CAPACITY	160,000 lbs at 10'
WEIGHT Gross vehicle	*104,840 lbs
-front	* 44,260 lbs
-rear	* 60,580 lbs
	*With 7,700 lbs C/W on upper and 8,000 lbs C/W on carrier deck
BOOM	5-section full power partially synchronized telescoping boom of round hexagonal box construction Fully retracted length..... 37.7' Fully extended length.....144.3' Extension speed.....106.6' in 145 s
JIB	Double stage bi - fold lattice type. 3.5° / 25° / 45° offsets Length.....32'5 - 3/4" or 58' 13/16"
SINGLE TOP	Stowable auxiliary boom point sheave.
ELEVATION	Automatic Speed Reduction and Soft Stop function. Elevation speed.....-2° to 80° in 77 s
MAIN & AUXILIARY WINCH	Variable speed with grooved drum driven by hydraulic axial piston motor through winch speed reducer. Equipped with cable follower and drum rotation indicator. Max. single line pull17,487 lbs (1st layer) Max. single line speed.....585 FPM (7th layer) Drum capacity..... 1096' (7 layers) Main winch cable.....797' x 3/4" Aux. Winch cable.....436' x 3/4"
SWING	Hydraulic axial piston motor driven through planetary speed reducer. Equipped with 360° positive swing lock and twin swing system. Swing speed.....1.7 rpm
HYDRAULIC SYSTEM	Pumps.....Two variable piston pumps for crane functions plus tandem gear pump for swing and optional equipment.

LOAD MOMENT INDICATOR (TADANO AML-L)	With working range (load radius and / or boom angle and / or tip height / or swing range) limit function. Eight functions are constantly displayed. • Boom angle • Either boom length or potential hook height • Either actual working radius or swing angle • Actual hook load • Permissible load • Either jib offset angle or number of parts line • Boom position indicator • Outrigger position Bar graph display : • Either moment as percentage or main hydraulic pressure
OUTRIGGERS	H-type outriggers controlled simultaneously or independently from crane cab or either side of carrier. Equipped with outrigger length detector. Extended length Fully23'7 - 7/16" Middle15'9" Minimum .6'9 - 7/8" A fifth hydraulically operated outrigger jack mounted to the front frame of carrier to permit 360° lifting capabilities. Maximum counterweight16,000 lbs (Hydraulically removable)
CARRIER	TADANO FAUN KF70 - 4 (Left hand steering, 8 x 4)
ENGINE	Cummins QSM11 4 cycle,turbo charged,6 cylinder in line,direct injection, water cooled diesel engine. Piston displacement.....660 in ³ Max. output..... 385 hp at 1,800 rpm Max. torque.....1,310 ft - lbs at 1,400 rpm
TRANSMISSION	ZF 12 Astronic 2301 12 forward and 2 reverse speeds with automatic drive.
AXLES	Kessler Front : Full floating type, steering axle Rear : Full floating type, driving axle with inter-wheel differential lock
SUSPENSION	Front.....Leaf spring. Load sharing type RearEqualizer beams and torque rods
BRAKE SYSTEM	Service.....Full air brake with ABS(Antilock Brake System) Auxiliary.....Exhaust brake(Jake brake by Cummins)
TIRES	Front.....445/65R22.5 168, Single x 4 Rear.....315/80R22.5 156/150, Dual x 4
TRAVELING SPEED (MAX.)	61.51 mph
MIN. TURN RADIUS	39.7'

DIMENSION



Continuing technical development requires Tadano to retain the right to make specifications, equipment and price changes without notice.

*Some specifications are subject to change



TADANO AMERICA CORPORATION
4300 Campbell Road, Houston, Texas,
77041-9116 U.S.A.
Phone:1-713- 8959400 Fax:1-713-8950352
http://www.tadanoamerica.com/
E-mail : sales@tadano-cranes.com

TADANO LTD. Tokyo office
(International Headquarters)
4-12, Kamezawa 2-chome, Sumida-Ku,
Tokyo 130-0014, Japan
Phone:81-3-3621-7752 Fax:81-3-3621-7785
http://www.tadano.co.jp/indexe.htm E-mail : tdnihq@tadano.co.jp



TT-800XXL-2002-2-2000-1
Printed in Japan