

Diesel operated Carry-Deck Mobile Crane Max. Capacity **Kg. 16.000**



360° radius boom rotation



TECHNICAL DATA

ENGINE: turbo-diesel 4 cylinders, 80 HP engine.

TRANSMISSION: automatic hydrostatic; differential axle.

AXLES: front driving and steering; rear driving steering and oscillating with automatic lock

WHEELS: 10.00 R20 pneumatic tyres.

STEERING: power steering hydraulically operated.

SUSPENSION: oscillating rear axle.

BRAKES: foot operated hydraulic shoe brakes to front and rear wheels. Hand brake hydraulically operated to front wheels.

CRANE FRAME: fabricated from preformed and welded steel plate with built-in counterweight. Standard carry deck.

OUTRIGGERS: four hydraulically operated independent horizontal/vertical outriggers fitted with safety valves.

BOOM: fabricated from preformed and welded steel plate with 3 hydraulic telescoping sections on nylon wear pads.

WINCH: hydraulically operated.

CAB: full vision enclosed cab, designed as an independent unit. Mounted through vibration absorbers to the frame including all driving and crane controls within easy reach of the operator.

HYDRAULIC SYSTEM: gear pump, electric proportional distributor controlled by single joystick, filter, safety valves on all boom operations.

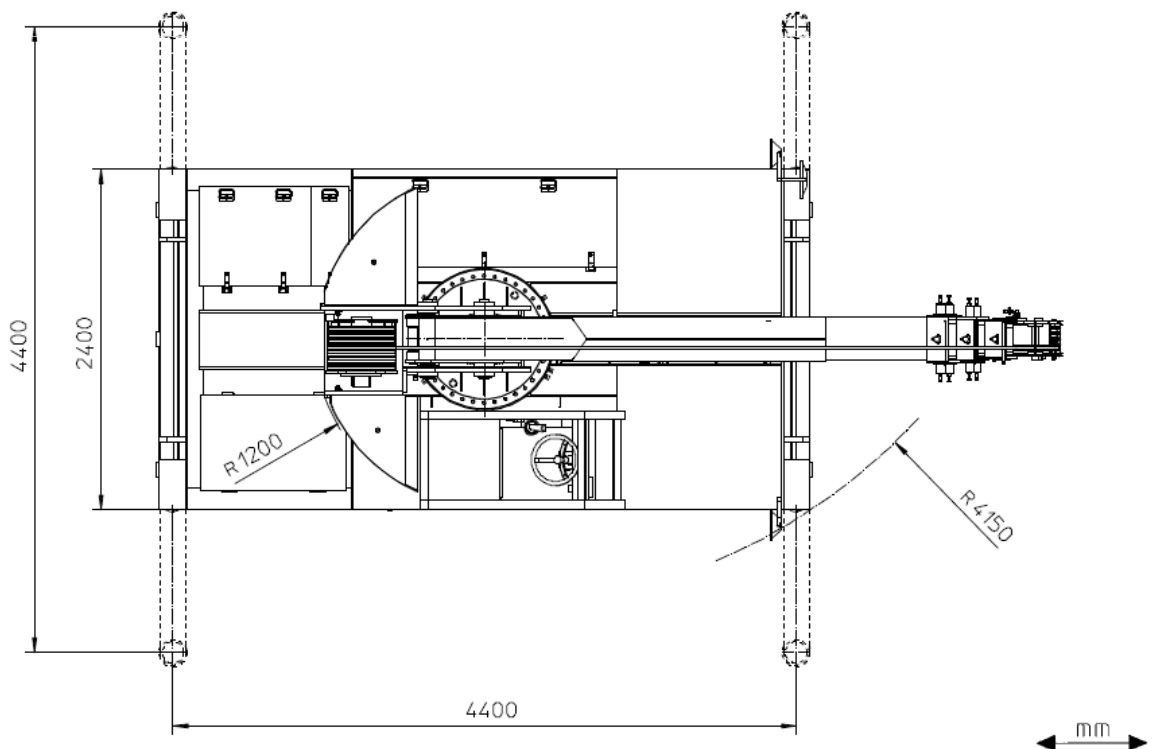
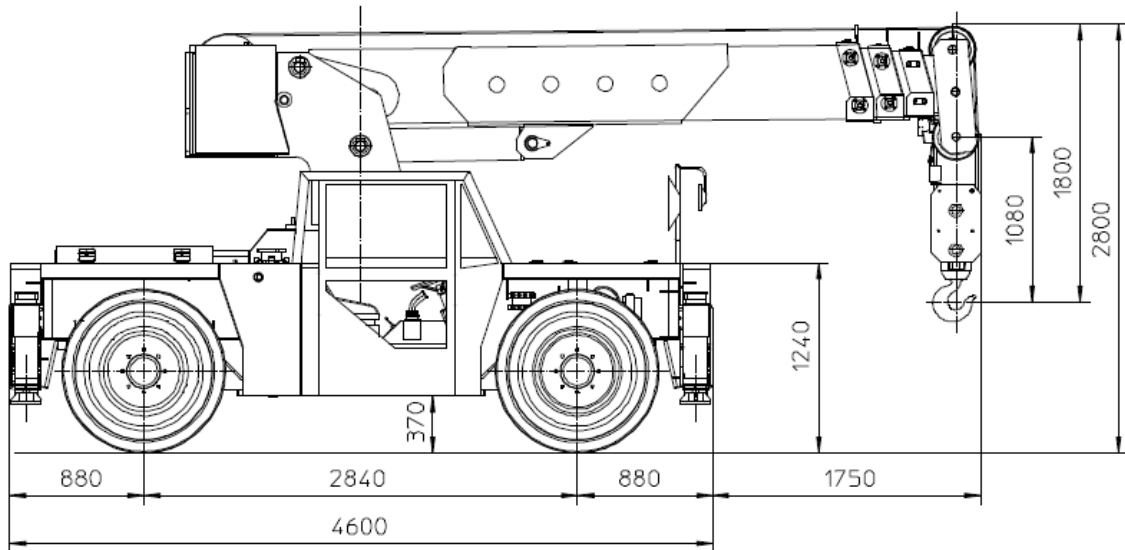
L.M.I. (electronic Load Moment Indicator),

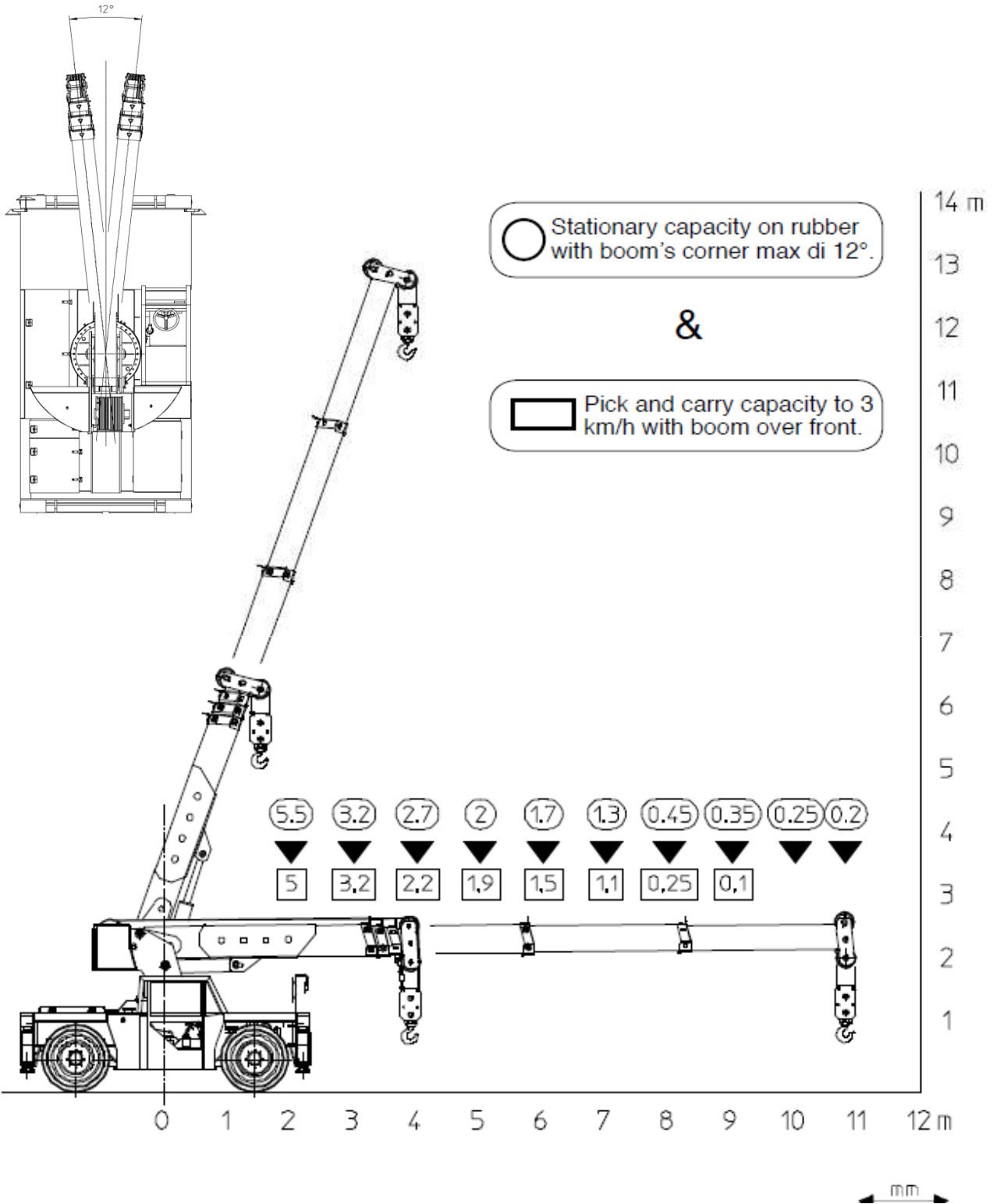
TOTAL MACHINE WEIGHT: nearly kg 16.000.=

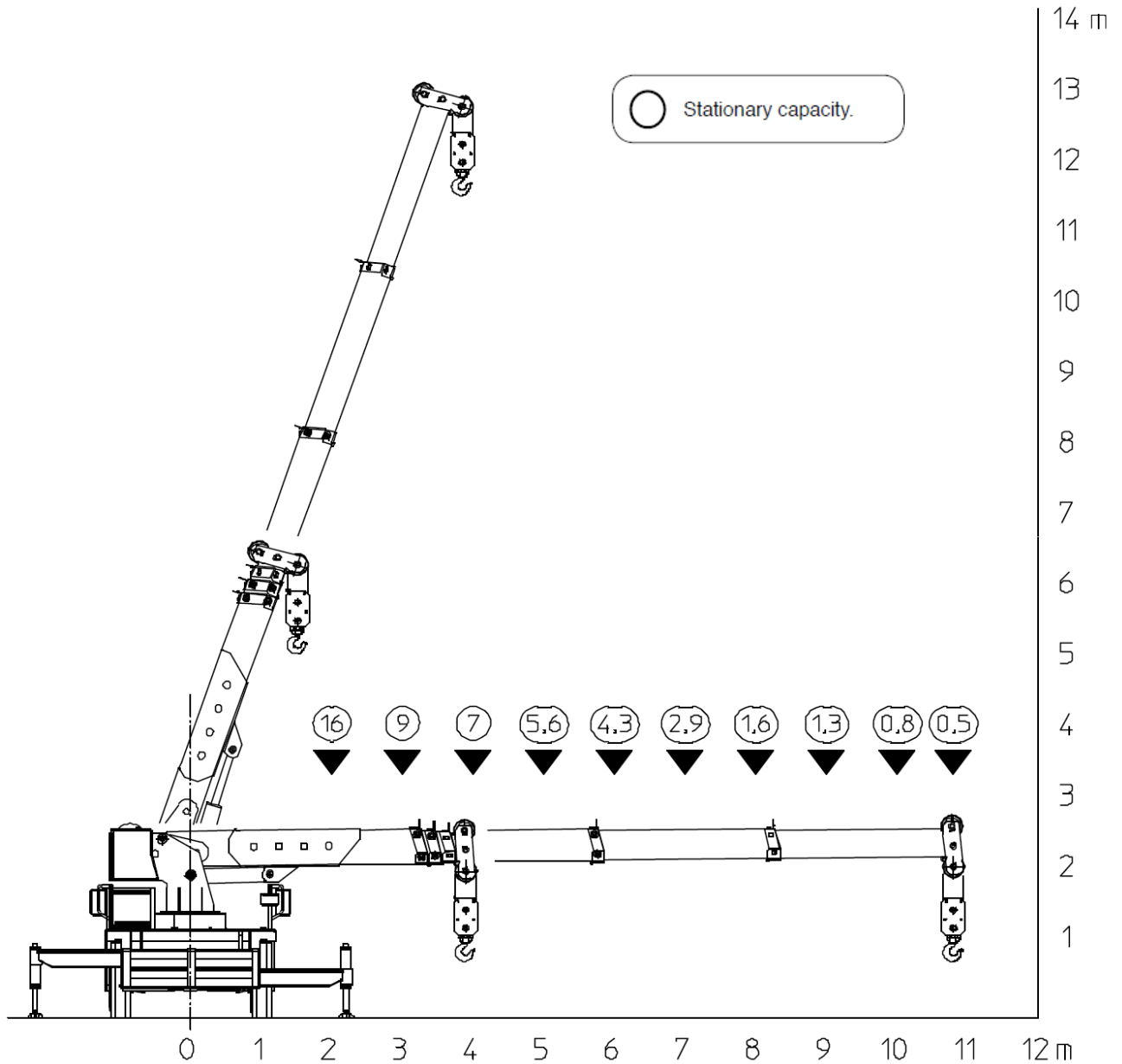
OPTIONAL: man bucket, remote control (cable or radio), jib.

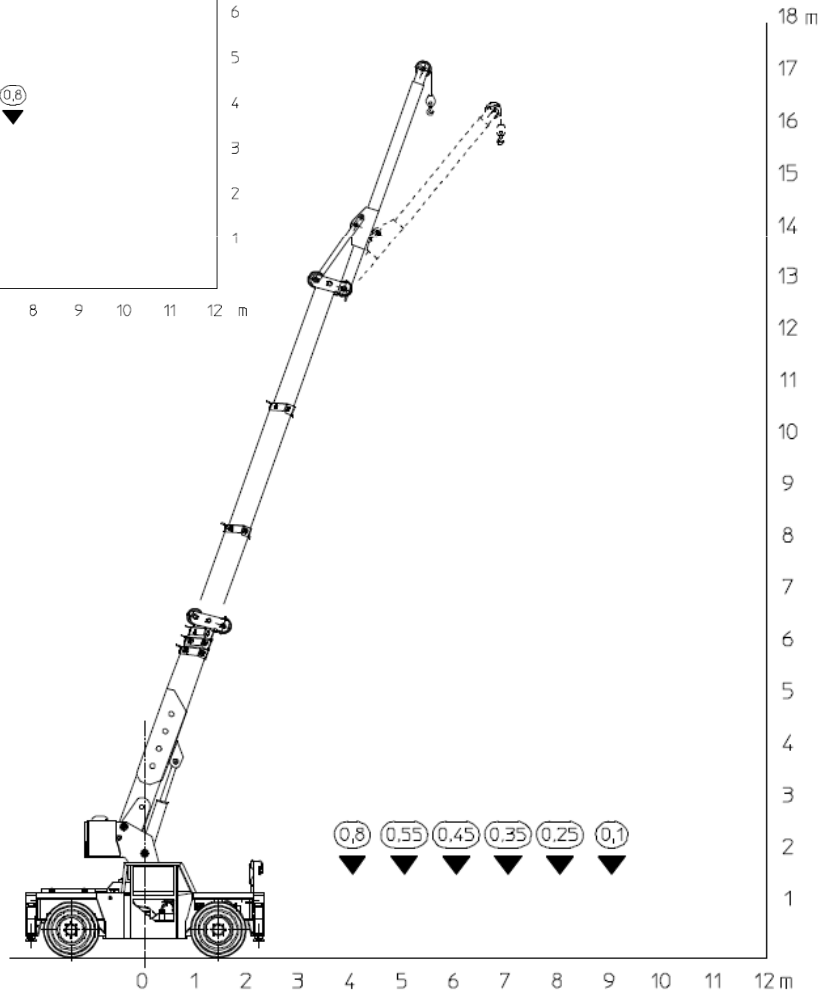
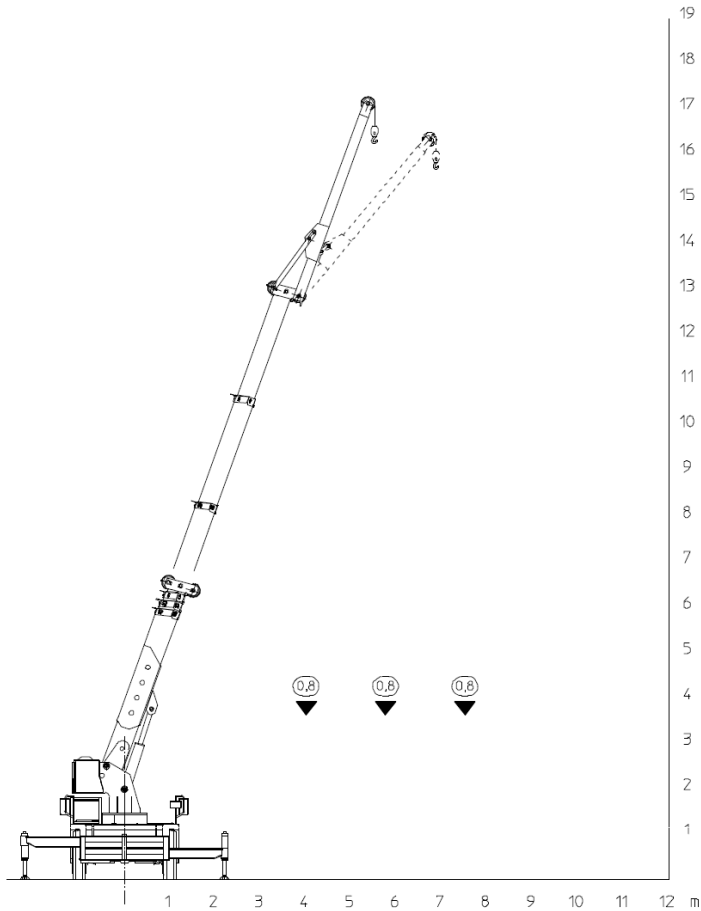
Valla	
ON WHEEL	
OUT REACH (mm)	CAPACITY (kg)
3.000	3.200
6.000	1.700
9.000	350

Valla	
OUTRIGGERS	
SBRACCIO (mm)	PORTATA (kg)
3.000	9.000
6.000	4.300
9.000	1.300









LIFTING CAPACITY MOD. 1725-36/SD-SE				
RADIUS (mt)	ON OUTTRIGGERS	ON RUBBER		
	360°	STATIONARY CAPACITY OVER FRONT (max 12°)	STATIONARY CAPACITY 360°	PICK AND CARRY CAPACITY UP TO 3 km/h (boom over front)
1.50	---	---	---	---
2.00	16.000	5.500	3.900	5.000
2.50	12.000	4.000	3.000	4.000
3.00	9.000	3.200	2.000	3.200
3.50	8.000	3.000	1.500	2.500
4.00	7.000	2.700	1.200	2.200
4.50	6.300	2.200	950	2.000
5.00	5.600	2.000	700	1.900
5.50	4.800	1.800	650	1.700
6.00	4.300	1.700	500	1.500
6,50	3.600	1.500	450	1.300
7.00	2.900	1.300	340	1.100
7.50	2.000	500		300
8.00	1.600	450		250
8.50	1.400	400		150
9.00	1.300	350		100
9.50	1.100	300		
10.0	800	250		
10.5	500	200		

- Rated loads above do not exceed 80% of tipping loads on outriggers and 75% on rubber.
- Capacities above bold lines are based only on structural strenght of crane.
- Capacities and performances are for crane on firm, level surfaces.
- Pick and carry operation: boom has to be centered overfront, used in the shortest possible lenght, min radius, lowest angle, load close to the ground. Negotiating grades (max 10%) is only permitted WITHOUT LOAD and limited to short distance and time.
- When needed, outriggers must be fully extended.
- When lifting area is not clearly visible by crane's operator, the presence of a second man is mandatory for signaling.
- Never handle a load in the area above cab.

Data subject to be changed without any previous notice. Pictures may differ from technical description.