

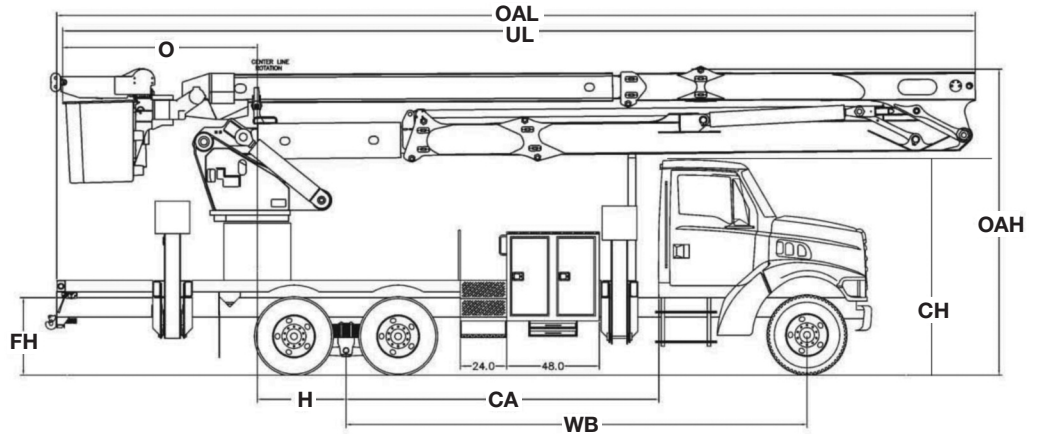


TEREX®

TM SERIES Hi-Ranger Non-Overcenter, Telescopic Material Handling Aerial Device

AERIAL DEVICES

Terex® Hi-Ranger Aerial Devices are known throughout the industry. They come with a long history featuring quality and innovative design.



Measurements	TM85	TM100	TM125
	ORA	ORA	ORA
Typical Frame Height (FH)	44 in. (111.8 cm)	44 in. (111.8 cm)	44 in. (111.8 cm)
Typical Cab Height (CH)	112 in. (284.5 cm)	112 in. (284.5 cm)	112 in. (284.5 cm)
Offset (O)	109 in. (276.8 cm)	112 in. (284.5 cm)	82 in. (208.3 cm)
Overall Height (OAH)	13' 2" (4.0 m)	13' 0" (4.0 m)	13' 4" (4.1 m)
Overall Length (OAL)	35' 6" (10.8 m)	38' 4" (11.7 m)	39' 9" (12.1 m)
Unit Length (UL)	35' 6" (10.8 m)	38' 4" (11.7 m)	39' 9" (12.1 m)
Center of Rotation (H)	52" (132 cm)	52" (132 cm)	52" (132 cm)
Cab to Axle (CA)	150 in. (381 cm)	168 in. (426.7 cm)	168 in. (426.7 cm)
Wheel Base (WB)	226 in. (574 cm)	244 in. (619.8 cm)	244 in. (619.8 cm)
Front Axle (FA)	16,000 lb. (7,257 kg)	18,000 lb. (8,165 kg)	20,000 lb. (9,072 kg)
Rear Axle (RA)	34,000 lb. (15,422 kg)	34,000 lb. (15,422 kg)	34,000 lb. (15,422 kg)
Gross Vehicle Weight Rating	50,000 lb. (22,680 kg)	52,000 lb. (23,587 kg)	54,000 lb. (24,494 kg)
Recommended Weight for Stability	44,000 lb. (19,950 kg)	48,000 lb. (21,772 kg)	48,000 lb. (21,772 kg)
Frame Section Modulus	24.0 in ³	24.0 in ³	24.0 in ³
Frame Yield Strength	80,000 psi	80,000 psi	80,000 psi
Frame RBM	1,900,000 in-lbs	1,900,000 in-lbs	1,900,000 in-lbs

Allows a total weight of 19,000–20,000 lbs. for chassis & payload.



TEREX®

500 Oakwood Drive
PO BOX 1150
Watertown, SD 57201-6150
USA

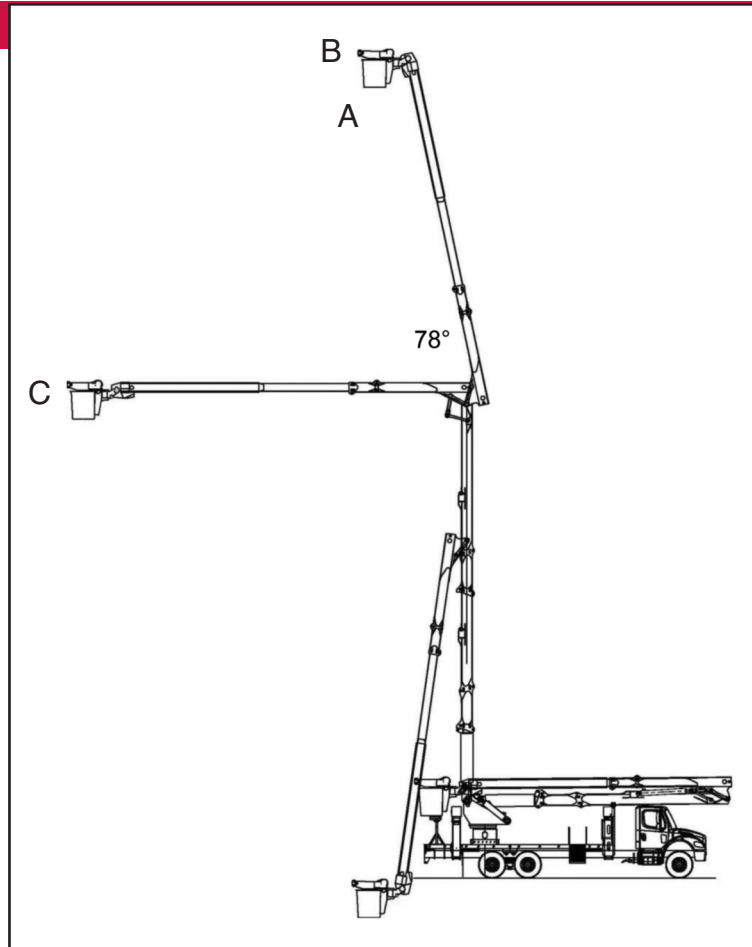
Phone: (605) 882-4000
Facsimile: (605) 882-1842
www.terexutilities.com
E-mail: utilities.info@terex.com

Distributed By:

Hi-Ranger Non-Overcenter, Telescopic Material Handling Aerial Device

STANDARD EQUIPMENT

- End-Mount 35" x 57" x 42" D-Shaped Platform
- Platform Capacity up to 800 lb (362 kg)
- Control-Plus 4-Function Single Stick Control at Platform
- Safety Harness With Attached Lanyard
- Hydraulic Platform Rotator
- Continuous Unrestricted Planetary Rotation
- Category "C" Rating Per ANSI A92.2
- Rectangular, Bi-Axial Epoxy Resin, Filament Wound Fiberglass Booms
- Individual Lever Lower Controls
- Hydraulic Platform Tilt at Upper and Lower Controls
- Hydraulic/Electric Platform Leveling System
- 78° of Elevation Above Horizontal
- 168° of Upper Boom Articulation
- 90° of Lower Boom Articulation
- Pilot-Operated, Closed-Center Load Sensing Hydraulic System
- 2-Speed Engine Throttle at Upper Controls
- Dual Lower and Upper Boom Cylinders
- Hydraulic Tool Outlets
- Engine Stop/Start
- 70 Gallon Hydraulic Oil Reservoir
- Padded Upper Boom Rest with Tie Down
- Lower Boom Rest with Tie Down
- Boom Interlock
- Moving Outrigger Alarm
- Truck Level Indicator
- Manual Boom Let Down System



CAPACITIES & DIMENSIONAL DATA (Based on a 40 Inch Frame Height)

MODEL	A	B	C
	Bottom of Platform Height	Working Height	Side Reach
TM85	82.0 ft. (25.0 m)	87.0 ft. (26.5 m)	47.0 ft. (14.3 m)
TM100	95.0 ft. (29.0 m)	100.0 ft. (30.5 m)	51.0 ft. (15.5 m)
TM125	120.0 ft. (36.6 m)	125.0 ft. (38.1 m)	52.0 ft. (15.8 m)

OPTIONAL EQUIPMENT

- 36" x 96" Aluminum Work Platform
- Various Platform Covers
- Various Liners
- Scuff Pad with or without Step
- Top Mounted, Hydraulic Articulating 0 to 90 Degree Jib And Winch
 - Up to 1500 lbs capacity
 - Hydraulic Extension
 - Levels with Platform
- Single Wire / 46 Kv Insulated Single Line Lifter / Multi-Phase Attachments
- Category "A" or "B" Rating Per ANSI A92.2 up to 500 Kv
- Automatic Upper Boom Latch
- Auxiliary Power
- Boom Overstow Protection
- Boom/Boom Stow Interlock
- Boom Storage Warning Light
- Outrigger Sag Light
- Various Types of Outriggers
- Truck Grounding Cable & Clamp

Effective Date: September 2013. Product specifications and prices are subject to change without notice or obligation. The photographs and/or drawings in this document are for illustrative purposes only. Refer to the appropriate Operator's Manual for instructions on the proper use of this equipment. Failure to follow the appropriate Operator's Manual when using our equipment or to otherwise act irresponsibly may result in serious injury or death. The only warranty applicable to our equipment is the standard written warranty applicable to the particular product and sale and Terex makes no other warranty, express or implied. Products and services listed may be trademarks, service marks or trade-names of Terex Corporation and/or its subsidiaries in the USA and other countries. All rights are reserved. Terex® is a registered trademark of Terex Corporation in the USA and many other countries. Copyright 2013 Terex Corporation.