



Mighty Crane CR335D

The Mighty Crane Series

Our mini cranes are strong enough to do the job and compact enough to work in hard to access areas. The Mighty Crane product line comes from the well renowned manufacturer R&B Engineering and is now exclusively distributed in the US and Canada by ReachMaster, Inc.. Innovation, quality, superior design and above all safety are trademarks of R&B Engineering. This Mighty Crane has a lifting capacity of 6,570 lbs and 41 ft. lifting height yet is ultra-compact and will fit in tight situations where normal sized cranes cannot venture. It's applications include: glass and curtain wall installation, residential and commercial construction, building maintenance, pipeline handling, oil/gas refinery use and many more.

- Available in 2 models
- Ultra-Compact
- Tier 4 engine
- Safety moment limiter
- Five Section full automatic boom
- 4 Falls / 2 Falls / 1 fall hook block
- Hydraulic outriggers

OPTIONS

- Radio remote controller
- Searcher hook
- Fly jib
- Pick and carry

Specifications

Crane capacity		6,570lbs X 8'2"
Max.working radius		39'11" X 573lbs
Max.lifting height (on the ground)		41'2"
Winch system	Hook speed	35'5"/min(4layers, 4falls)
	Hoist wire rope	φ8mm (0.31") X 262'6"
Telescoping system	Type	Pentagonal, 5-step hydraulic full-auto
	Boom length	12'2"-19'6"-26'9"-33'10"-40'11"
	Boom telescoping stroke/Time	28'10"/33sec
Boom hoisting system	Boom angle / time	0-80°/18sec
Swing system	Swing angle / time	360°(continuous)/30sec
Outrigger	Type	Telescoping hydraulic full-auto
	Max.extended width	14'10" X 14'6" X 16'1"
Travel system	Type	Hydraulic motor reducer with brake
	Travel speed	0~1.0mph
	Grade ability	23°
	Crawler ground length X width	5'8" X 11"
	Ground pressure	5.33psi
Engine	Model	YANMAR 3TNV76NMB Certified to EPA Tier4
	Displacement	1.115ℓ [1115cc]
	Continuous rated output	15.2kw/2,500min ⁻¹ [20.4hp, 20.7PS/2,500rpm]
	Starting method	Electric starting
	Fuel / Fuel tank capacity	Diesel/11.2gallon
Electric motor	Motor type	Totally enclosed fan-cooled motor 4P, 5.5kw, 200V-380V, 3Phase, 50/60Hz
Hydraulic	Hydraulic pump	Fixed torque dual piston pump
	Speed mode	High/Low
Remote	Operation	Telescoping, Hoisting, Swing, winch Engine speed controller, Alarm, Emergency stop.
	Overall length X width X height	13'7" X 4'3" X 5'8"
Machine weight		8,289lbs (8,774lbs with electric motor)
Options		Cable remote controller, Moment limiter, Head lamps, Electric motor 2falls/1fall hook

We reserve the right to alterations

Mighty Crane

CR335D

Working range chart

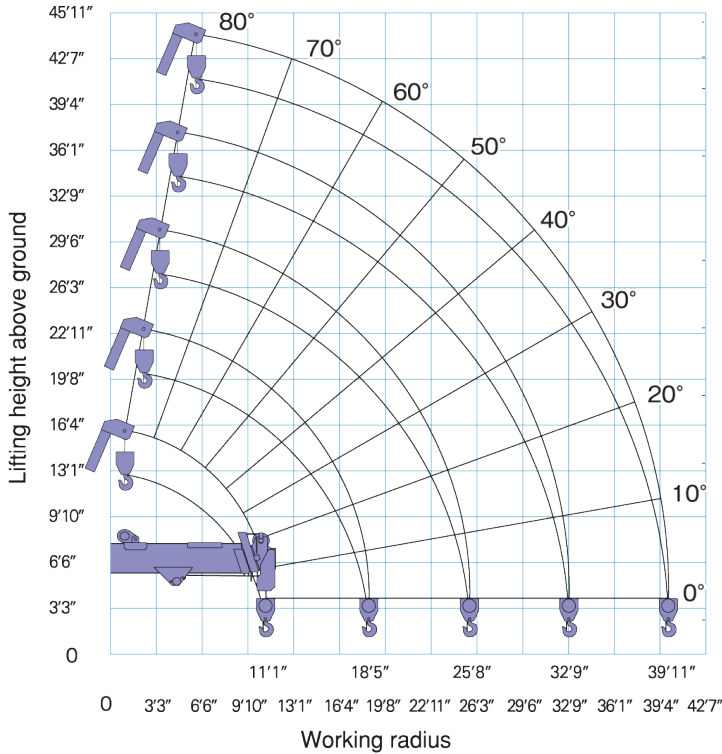


Table of Total Rated Load [5-section boom] (Max extended)

When booms A and B are used

Working radius	~8'2"	9'10"	11'5"	13'1"	14'9"	16'4"	18'5"			
Total rated load _(lbs)	6,570	5,269	4,387	3,770	3,285	2,954	2,557			

When booms A, B and C are used

Working radius	8'10"	9'10"	11'5"	13'1"	14'9"	16'4"	18'0"	19'8"	22'11"	25'8"
Total rated load _(lbs)	5,004	4,674	3,704	3,175	2,778	2,447	2,183	1,940	1,609	1,389

When booms A, B, C and D are used *

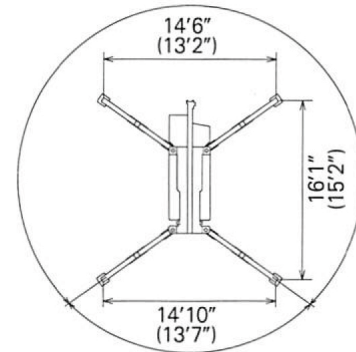
Working radius	13'1"	14'9"	16'4"	19'8"	22'11"	26'3"	29'6"	32'9"		
Total rated load _(lbs)	2,381	2,172	1,940	1,698	1,477	1,257	1,102	948		

When booms A, B, C, D and E are used

Working radius	~14'9"	16'4"	19'8"	22'11"	26'3"	29'6"	32'9"	36'1"	39'11"	
Total rated load _(lbs)	1,742	1,455	1,146	948	837	749	683	617	573	

※ Figures in each table includes 50.7lbs of hook block.

* If mark can be seen, be sure to operate within the limit of booms A+B+C+D.



※ Dimensions in () are those during the middle outrigger position.

