

Valla



1725-36 SD



Self Diesel operated Carry-Deck Mobile Crane Max. Capacity **Lbs. 35,200**



360° radius boom rotation



TECHNICAL DATA

ENGINE: turbo-diesel 4 cylinders, 74,5 KW.

TRANSMISSION: automatic hydrostatic; differential axle.

AXLES: front driving and steering; rear driving steering and oscillating with automatic lock.

WHEELS: 10.00 R20 pneumatic tyres.

STEERING: power steering hydraulically operated.

SUSPENSION: oscillating rear axle.

BRAKES: foot operated hydraulic drum brakes to front and rear wheels. Hand brake hydraulically operated to front wheels.

CRANE FRAME: fabricated from preformed and welded steel plate with built-in counterweight. Standard carry deck.

OUTRIGGERS: four hydraulically operated independent horizontal/vertical outriggers fitted with safety valves.

BOOM: fabricated from preformed and welded steel plate with 3 hydraulic telescoping sections on nylon wear pads.

WINCH: hydraulically operated.

CAB: full vision enclosed cab, designed as an independent unit. Mounted through vibration absorbers to the frame including all driving and crane controls within easy reach of the operator.

HYDRAULIC SYSTEM: gear pump, electric proportional distributor controlled by single joystick, filter, safety valves on all boom operations.

L.M.I. (electronic Load Moment Indicator).

TOTAL MACHINE WEIGHT: nearly Lbs. 34,000

Options on request: man bucket and relevant certification as aerial platform; remote control (cable or radio), jib; full set of road lights; non marking tires.

Valla

ON WHEEL

OUTREACH (Ft)	CAPACITY (Lbs)
6,5	12,100
18	3,900
26	1,000

Valla

ON OUTRIGGER

OUTREACH (Ft)	CAPACITY (Lbs.)
6,5	35,200
18	10,600
26	3,500

Data subject to be changed without any previous notice. Pictures may differ from technical description.

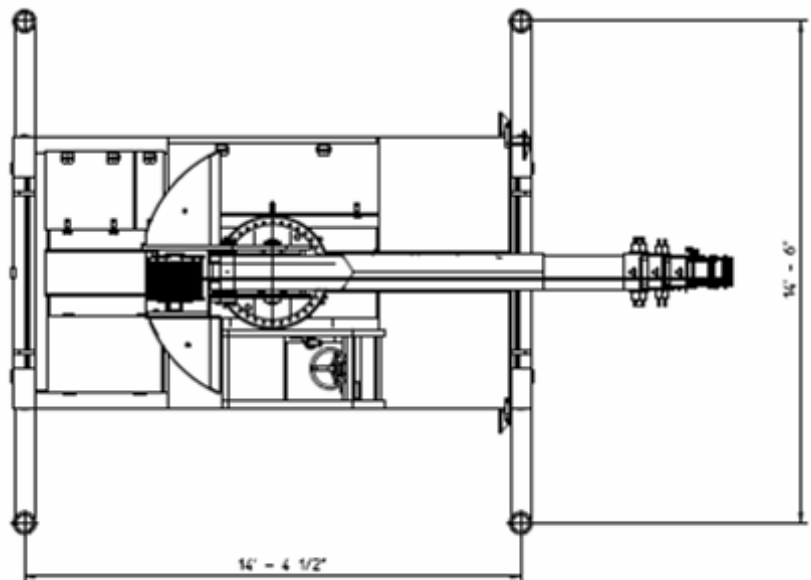
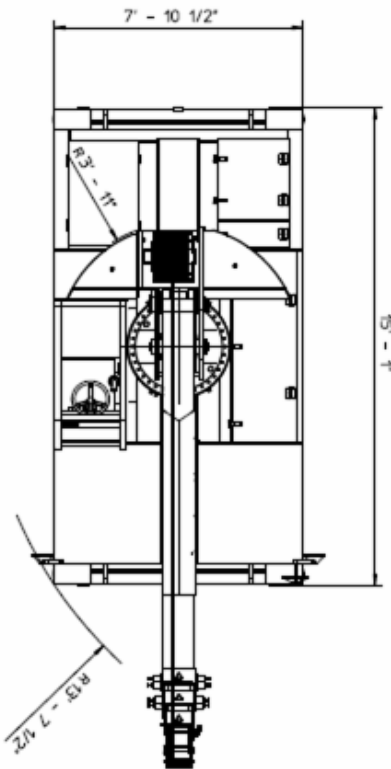
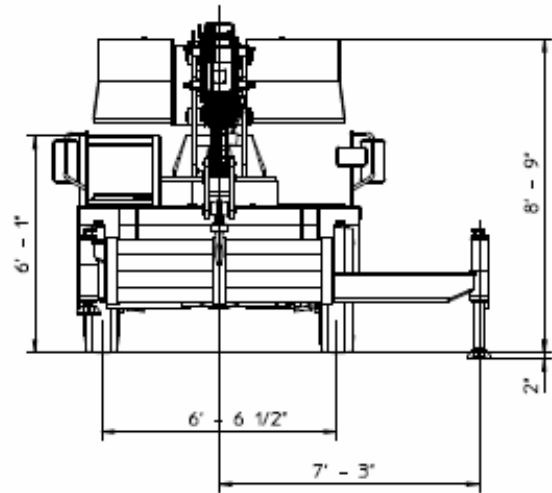
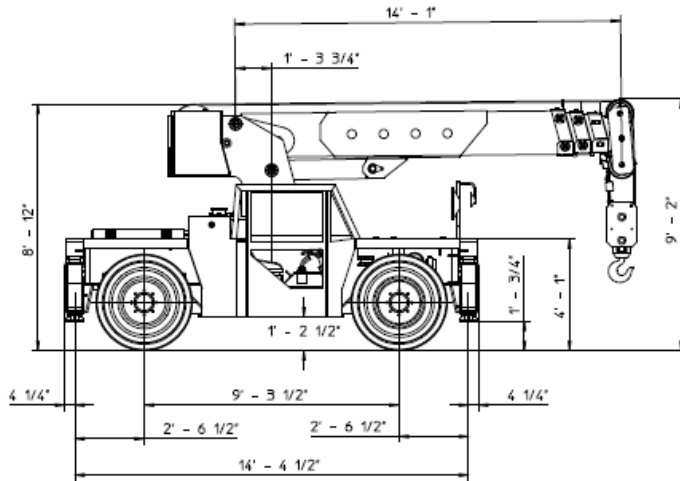
Valla



1725-36 SD



VALLA mobile crane mod. 1725-36 SD
complies with the following standards:
-2006/42/CE
-UNIEN13000
-I.S.P.E.S.L.



Data subject to be changed without any previous notice. Pictures may differ from technical description.

MANITEX
VALLA
SINCE 1945 LEADER IN PICK & CARRY

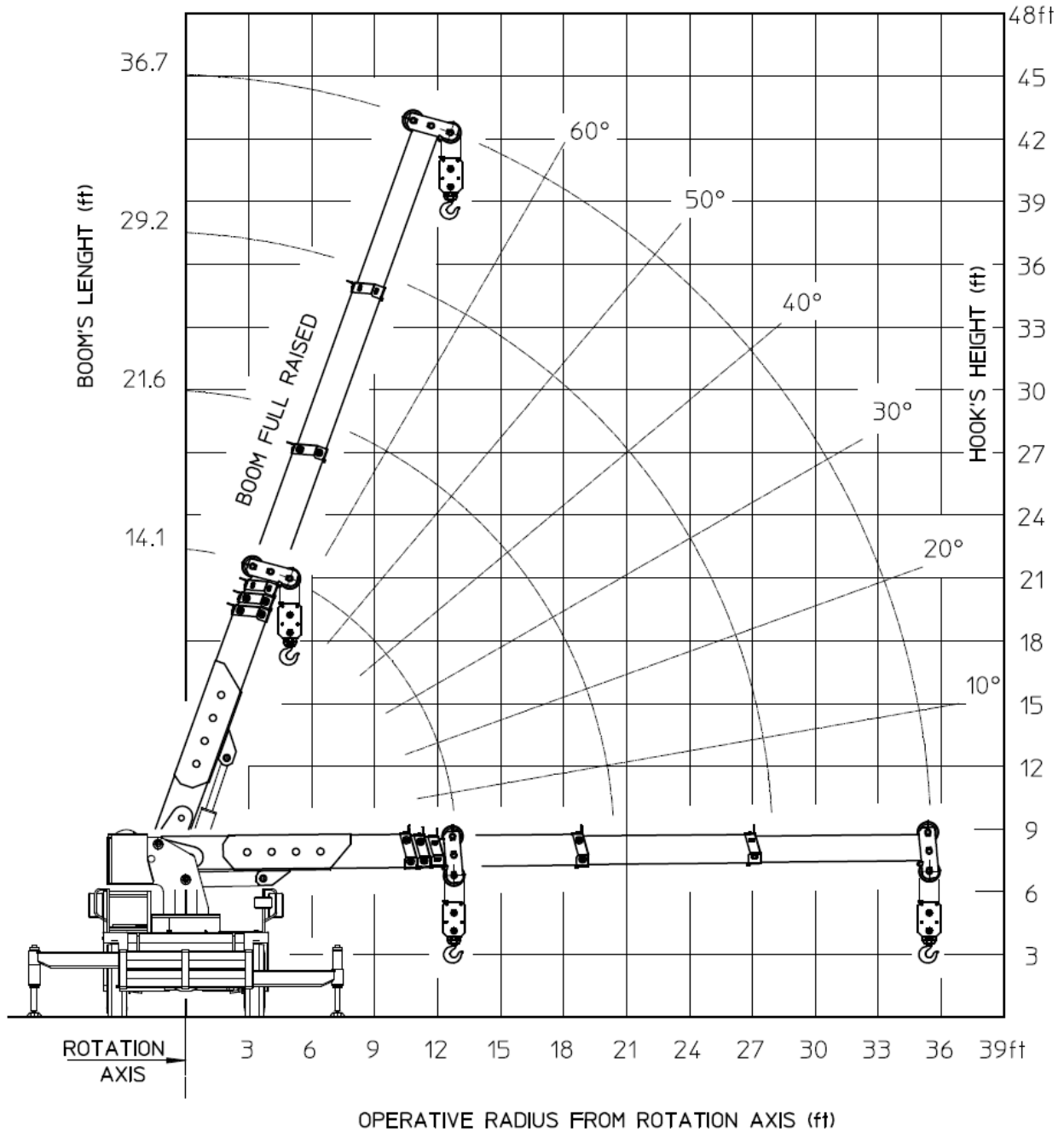
Valla a division of CVS Ferrari Srl
Via Piacenza, 45 - 29010 Calendasco (Piacenza) - ITALIA
Tel. +39 0523 762025 / 752004 - Fax +39 0523 760531
e-mail: info@valla.com - www.valla.com



1725-36 SD



VALLA mobile crane mod. 1725-36 SD
 complies with the following standards:
 -2006/42/CE
 -UNIEN13000
 -I.S.P.E.S.L.



Lbs./ft



Valla a division of CVS Ferrari Srl
 Via Piacenza, 45 - 29010 Calendasco (Piacenza) - ITALIA
 Tel. +39 0523 762025 / 752004 - Fax +39 0523 760531
 e-mail: info@valla.com - www.valla.com

Data subject to be changed without any previous notice. Pictures may differ from technical description.

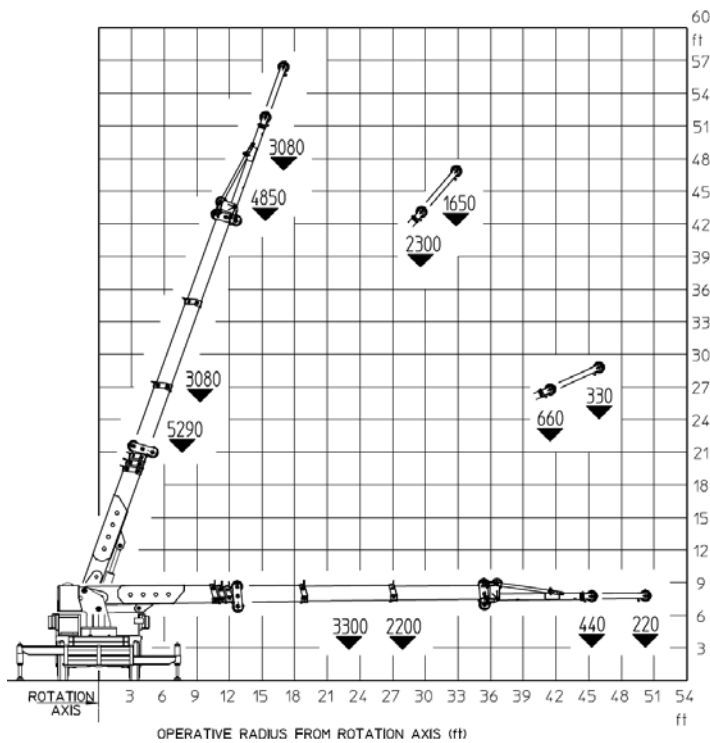
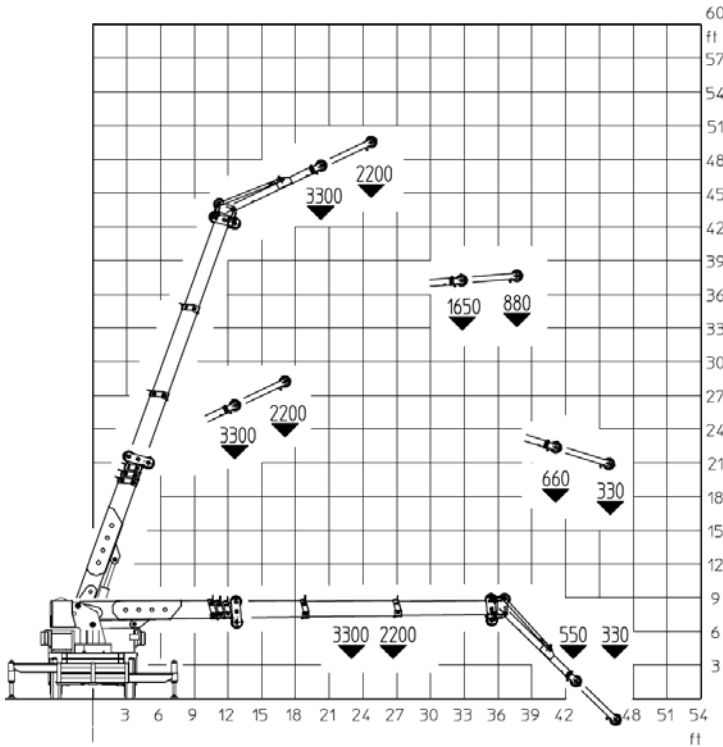
Valla



1725-36 SD



VALLA mobile crane mod. 1725-36 SD
 complies with the following standards:
 -2006/42/CE
 -UNIEN13000
 -I.S.P.E.S.L.



Lbs./ft



Valla a division of CVS Ferrari Srl
 Via Piacenza, 45 - 29010 Calendasco (Piacenza) - ITALIA
 Tel. +39 0523 762025 / 752004 - Fax +39 0523 760531
 e-mail: info@valla.com - www.valla.com

Data subject to be changed without any previous notice. Pictures may differ from technical description.



1725-36 SD



VALLA mobile crane mod. 1725-36 SD
 complies with the following standards:
 -2006/42/CE
 -UNIEN13000
 -I.S.P.E.S.L.

WORKING RADIUS (ft)	VALLA MOBILE CRANE 36SD/SD LOAD CHART (Lbs)			
	ON OUTRIGGERS	ON RUBBERS		
	360°	STATIC LOAD OVER FRONT	STATIC LOAD (360°)	PICK AND CARY LOAD UP TO 1.9 Km/h OVER FRONT
4,9	-	-	-	-
6,5	35.300	12.100	8.600	11.000
8,2	26.450	8.800	6.600	8.800
9,8	19.800	7.050	4.400	7.050
11,5	17.600	6.600	3.300	5.500
13,1	15.400	6.050	2.650	4.850
14,7	13.900	4.850	2.100	4.400
16,4	12.300	4.400	1.450	4.200
18	10.600	3.950	1.400	3.750
19,7	9.500	3.750	1.100	3.300
21,3	7.900	3.300	990	2.850
22,9	6.400	2.850	750	2.400
24,6	4.400	1.100	-	660
26,2	3.500	1.000	-	330
27,9	3.100	880	-	220
29,5	2.850	770	-	-
31,1	2.400	660	-	-
32,8	1750	550	-	-
34,4	1100	440	-	-

Data subject to be changed without any previous notice. Pictures may differ from technical description.



Valla a division of CVS Ferrari Srl
 Via Piacenza, 45 - 29010 Calendasco (Piacenza) - ITALIA
 Tel. +39 0523 762025 / 752004 - Fax +39 0523 760531
 e-mail: info@valla.com - www.valla.com