
Manual # 99904126

2.5/18 Parts

Revision Date 20080505



IOWA MOLD TOOLING CO., INC.

PO Box 189

Garner, IA 50438

Tel: 641-923-3711 FAX: 641-923-2424

Website: <http://www.imt.com>

Copyright © 2007 Iowa Mold Tooling Co., Inc.
All rights reserved

No part of this publication may be reproduced, stored in a retrieval system, or transmitted in any form or by any means, electronic, mechanical, photocopying, recording or otherwise without the prior written permission of Iowa Mold Tooling Co., Inc.

Iowa Mold Tooling Co., Inc. is an Oshkosh Corporation company.

Revisions

DATE	LOCATION	DESCRIPTION
20070207	95720763	Added 95720763 decal kit to manual.
20080505□	95720763□	ECN 10759 - Changed item #8 to 70391583

Spare Parts Catalog
2.5/18

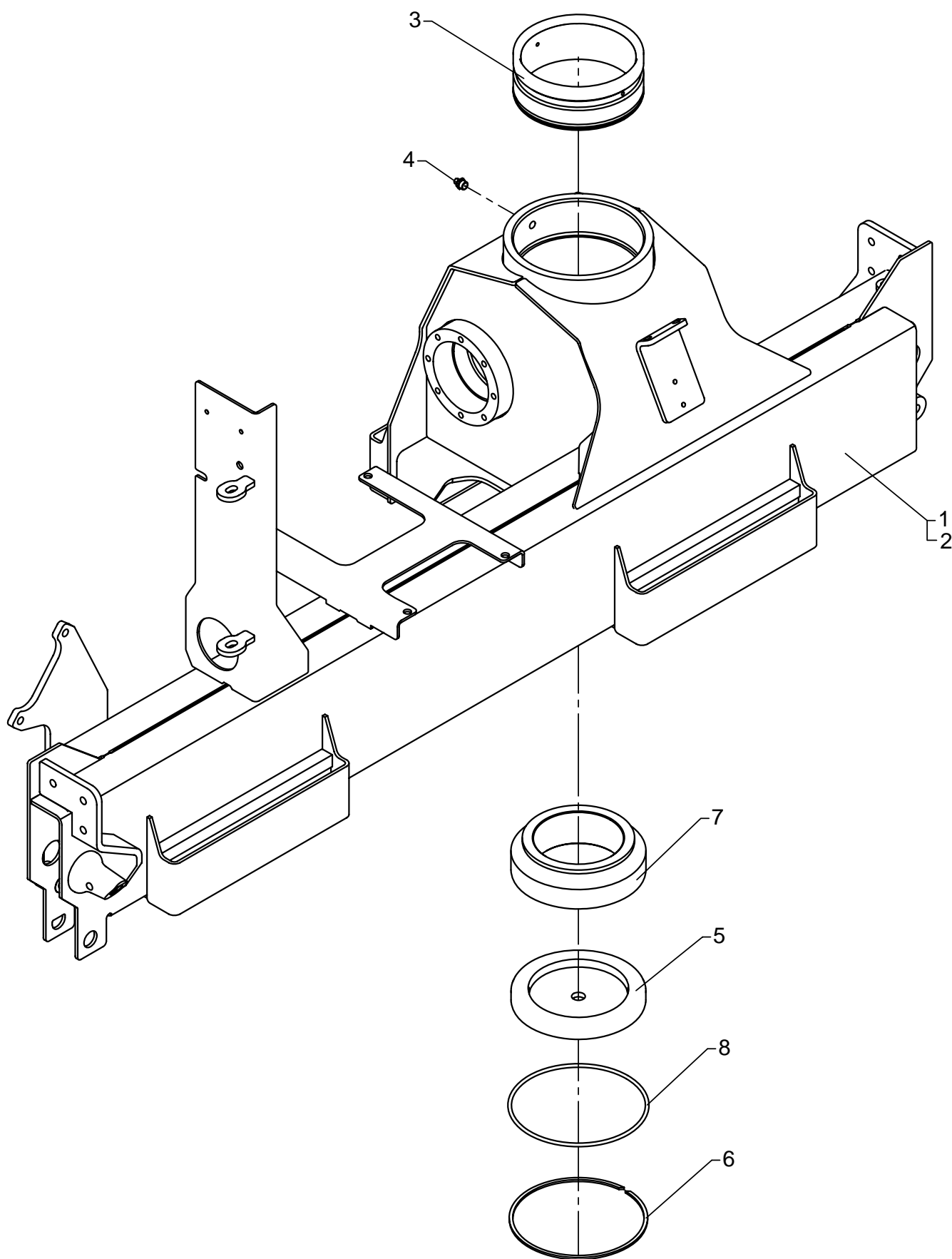
Part	Page	From no.	To no.
Base	45501010	67 00 01	
Oil level hose	45501015	67 00 01	
Slewing system	45501020	67 00 01	
Column	45501030	67 00 01	
Main boom	45502010	67 00 01	
Jib	45502020	67 00 01	
Jib extension, K1	45502030	67 00 01	
Jib extension, K2	45502031	67 00 01	
Jib extension, K3	45502032	67 00 01	
Hook suspension	45502100	67 00 01	
Manual extension, K2	45502201	67 00 01	
Manual extension, K3	45502202	67 00 01	
Boom- and jib cylinder	45503010	67 00 01	
Boom cylinder with LHV	45503011	67 00 01	
Jib cylinder with double LHV	45503012	67 00 01	
Extension cylinder, I, C40-1200	45503050	67 00 01	
Extension cylinder, II, C40-1300	45503051	67 00 01	
Extension cylinder, III, C40-1300	45503052	67 00 01	
Stabilizer cylinder, C50-335	45503100	67 00 01	
Stabilizer cylinder with piloted check-valve	45503101	67 00 01	
Stabilizer beam, short and lon	45504010	67 00 01	
Safety lock	45504100	67 00 01	
Stabilizer lock	45504150	67 00 01	
Lock bolt for stabilizer leg	45504200	67 00 01	
Valve block SDM081	45505010	67 00 01	
Valve bracket and dual control	45505100	67 00 01	
Pump circuit incl. tank	45505150	67 00 01	
Hydraulic system, slewing	45505200	67 00 01	
Fittings, extension cylinder, K1, K2	45505360	67 00 01	
Fittings, extension cylinder, K3	45505362	67 00 01	
Hydraulic system, stabilizers	45505450	67 00 01	
Load indicator	45505600	67 00 01	
Emergency stop kit	45505650	67 00 01	
Hydraulic system, boom, jib and extension cylinders C=6 o'clock	45505810	67 00 01	
Hydraulic system, boom, jib and extension cylinders C=12 o'clock	45505830	67 00 01	

Spare Parts Catalog
2.5/18

Part	Page	From no.	To no.
Mounting fittings	45506100	67 00 01	
Valve bracket + dual ctrl stab	45507020	67 00 01	
Series connection	45507030	67 00 01	
High pressure filter	45507500	67 00 01	
Kit for extra valves	45507510	67 00 01	

2.5/18

Intern ref.: 1330010



Base complete

As from / To loader no.:67 00 01/

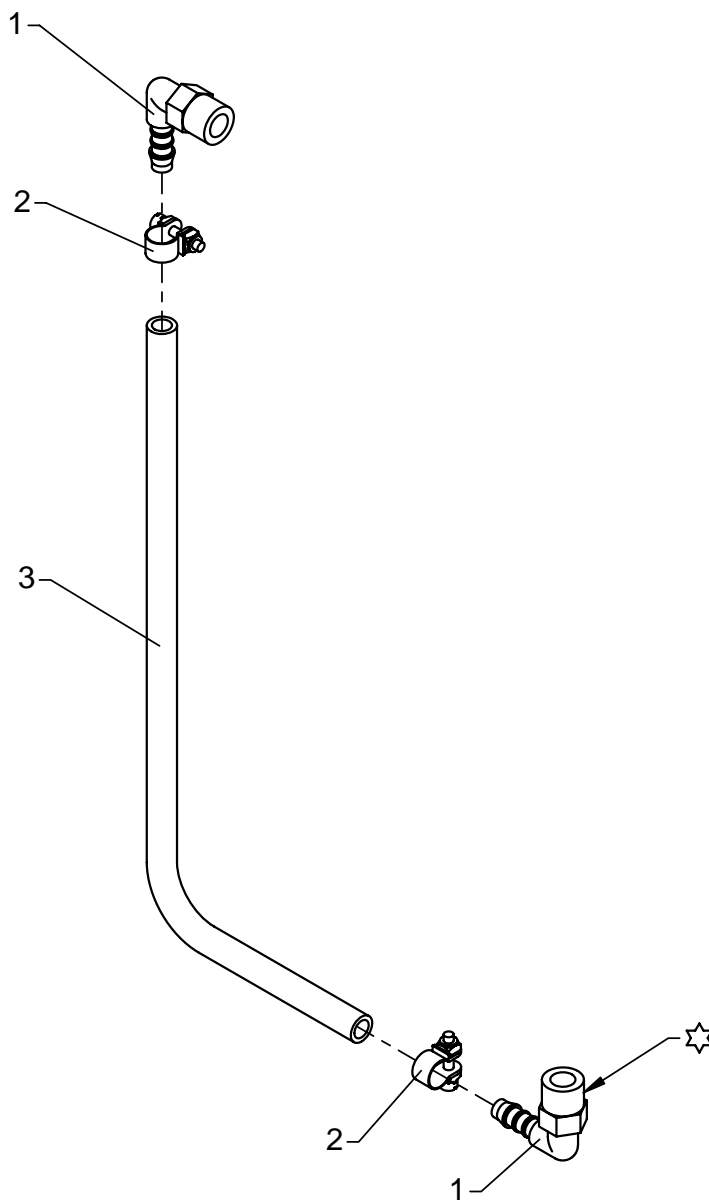
Created: 03.02.2005

Modified: 13.10.2005

Item no.	Qty.	Part no.	Description	Remarks
1	1	1330001	Base	1700
2	1	1330251	Base	2000
3	1	63418	Bearing, upper	
4	1	31318	Lubricator	1/8" RG
5	1	1330037	Cover	
6	1	33264	Spring ring	SB150
7	1	63419	Bearing, bottom	
8	1	20332	O-ring	OR 149 x 4

2.5/18

Intern ref.: 1320390



☆ Loctite 577

Oil level hose

As from / To loader no.:67 00 01 /

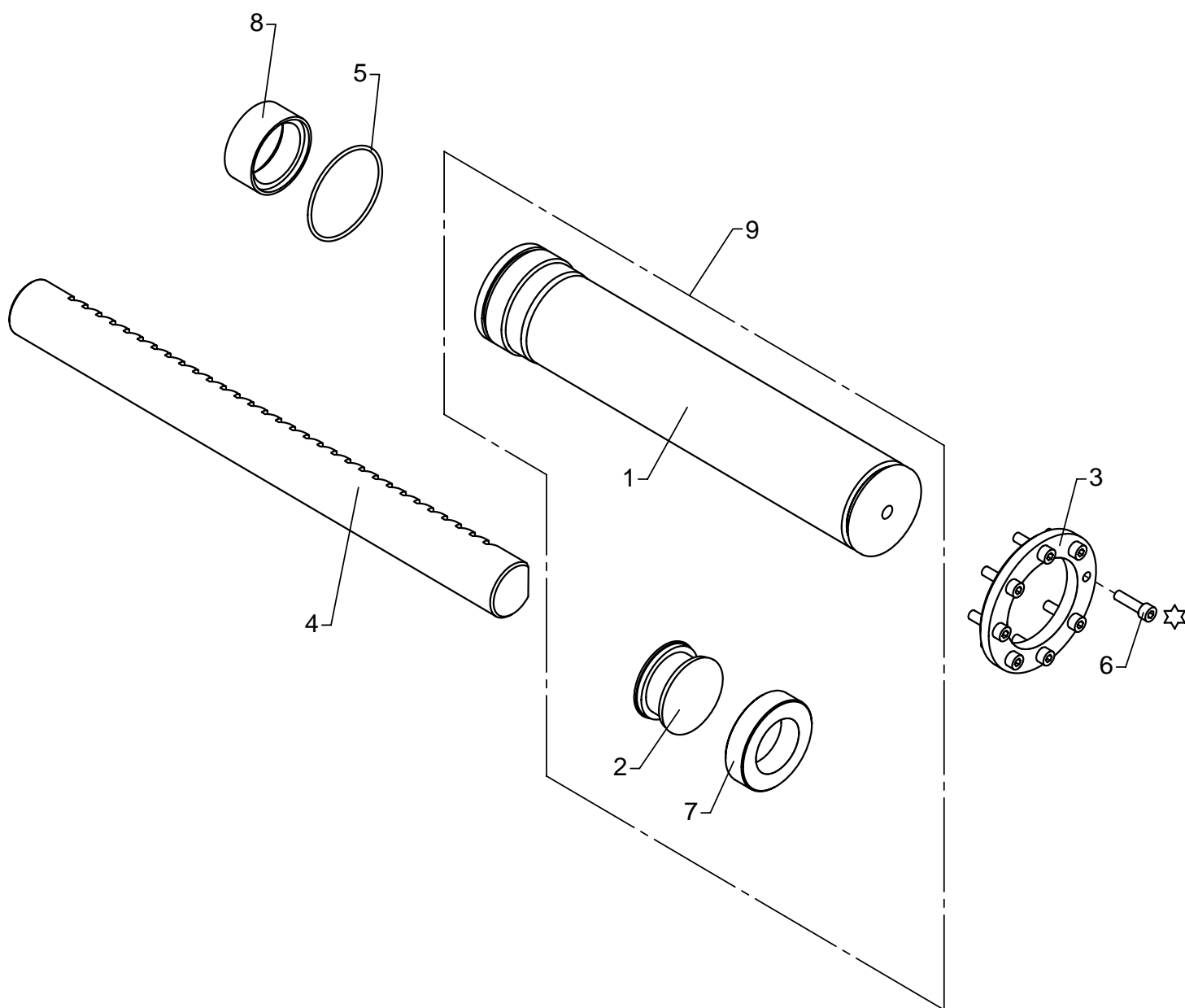
Created: 01.06.2005

Modified:

Item no.	Qty.	Part no.	Description	Remarks
1	2	64500	Elbow	WES 8/R-3/8"
2	2	31452	Clamp	
3	1	62511	Plastic hose	385 mm

2.5/18

Intern ref.: 1330020



Slewing system

As from / To loader no.:67 00 01/

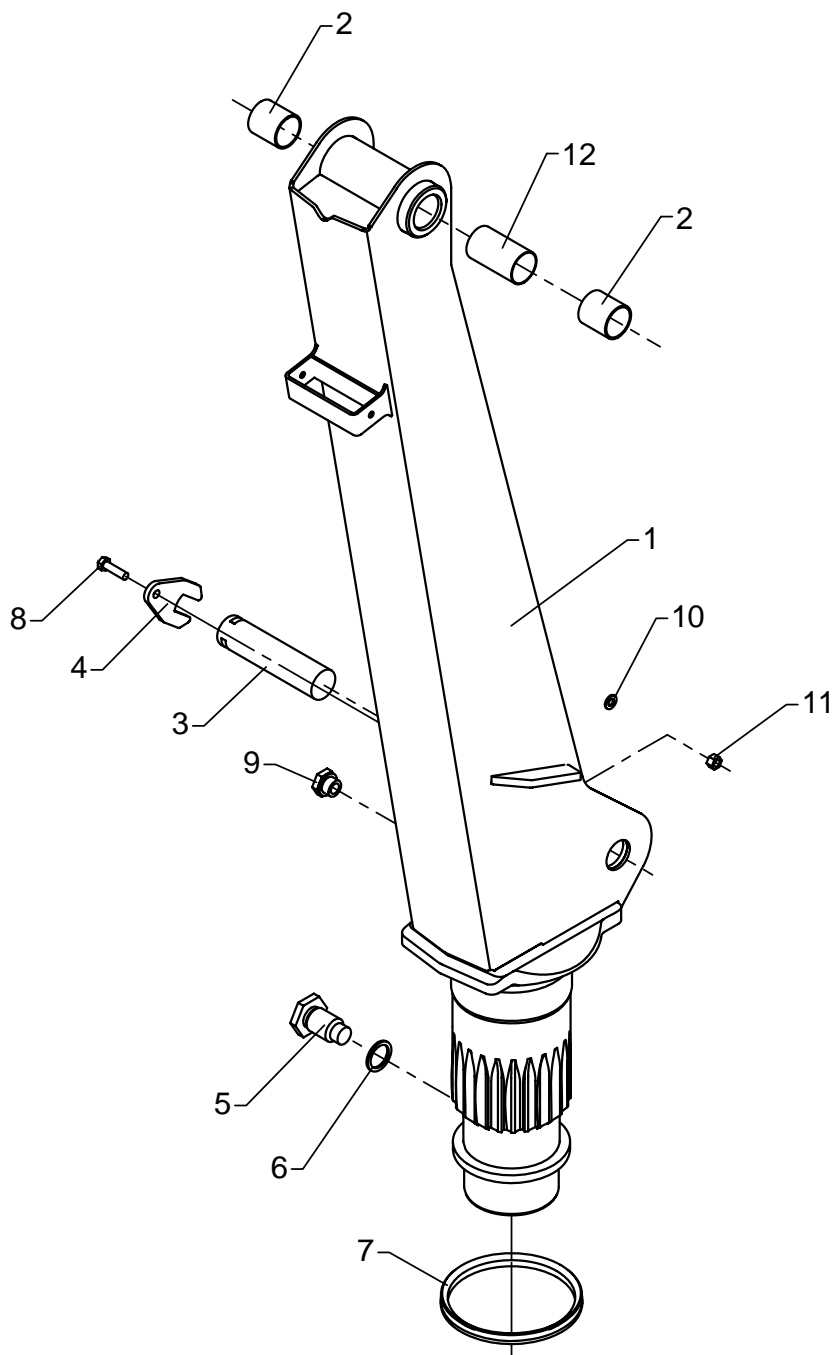
Created: 03.02.2005

Modified:

Item no.	Qty.	Part no.	Description	Remarks
	2	6893820	Seal kit	Pos. 5, 8
1		1330021	Slewing cylinder	
2		1330024	Piston	
3	2	1330023	Flange	
4	1	1330025	Rack	
5	2	20189	O-ring	OR 79,5 x 3
6	16	30442	Screw	MC8 x 30
7		63424	Bearing	
8	2	20978	Double acting seal	M80/65 x 20
9	2	1330070	Slewing cyl. w/ piston+gasket	

2.5/18

Intern ref.: 1330030



Column

As from / To loader no.:67 00 01/

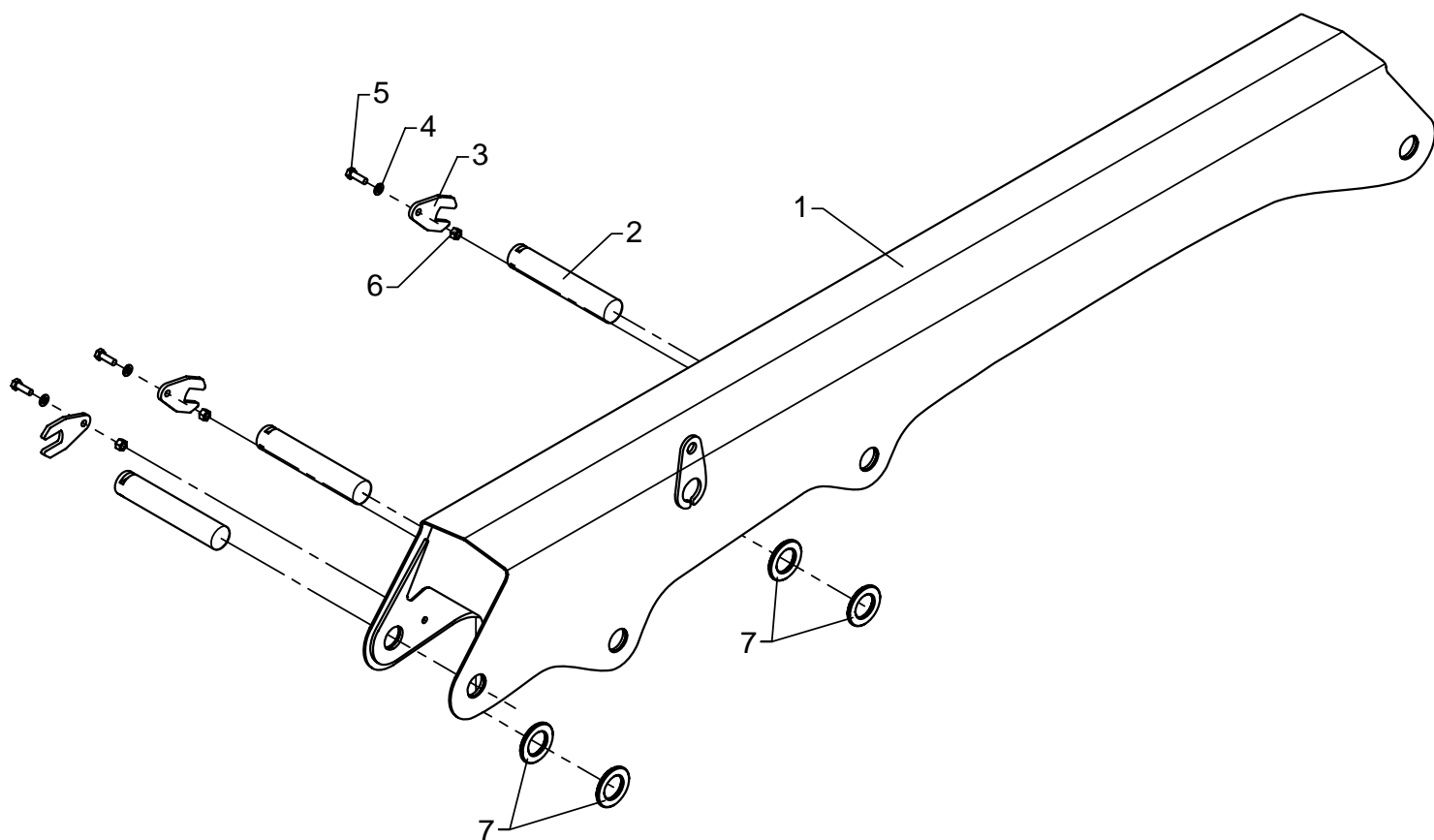
Created: 03.02.2005

Modified:

Item no.	Qty.	Part no.	Description	Remarks
1	1	1330031	Column	
2	2	23950	Bushing	ø35/ø39 x 40 mm MF41
3	1	1330109	Pin	
4	1	1330116	Lock plate	
5	1	1330039	Screw	
6	1	21108	Seal washer	ø27,05 x 34,93 x 2,34
7	1	21977	V-ring	VA-0160
8	1	30135	Set screw, stainless	M8 x 30
9	1	25961	Plug	
10	1	31147	Washer, stainless	8 mm
11	1	30886	Lock nut, stainless	M8
12	1	1330167	Distance pipe	

2.5/18

Intern ref.: 1330080



Main boom

As from / To loader no.:67 00 01/

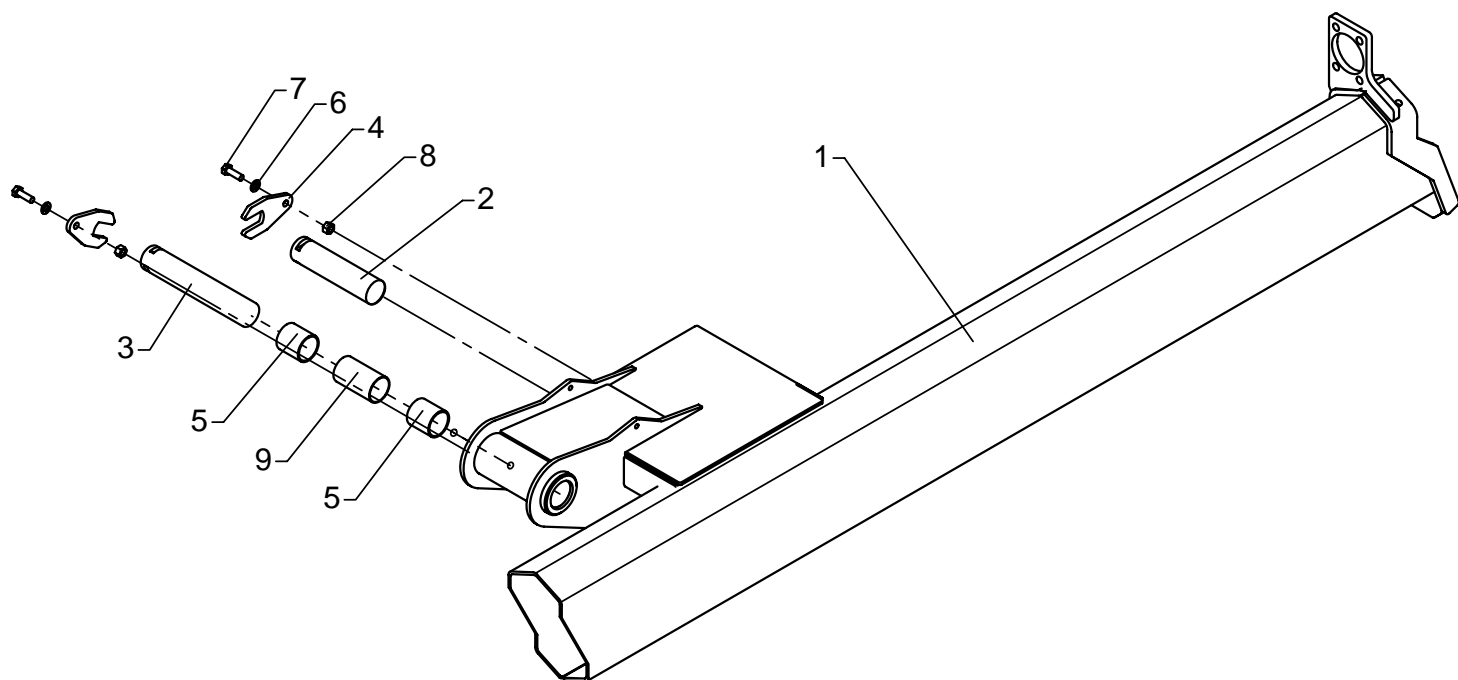
Created: 03.02.2005

Modified:

Item no.	Qty.	Part no.	Description	Remarks
1	1	1330075	Main boom	
2	3	1330108	Pin	
3	3	1330116	Lock plate	
4	3	31147	Washer, stainless	8 mm
5	3	30134	Set screw, stainless	M8 x 25
6	3	30886	Lock nut, stainless	M8
7	4	63699	Spacer	

2.5/18

Intern ref.: 1330100



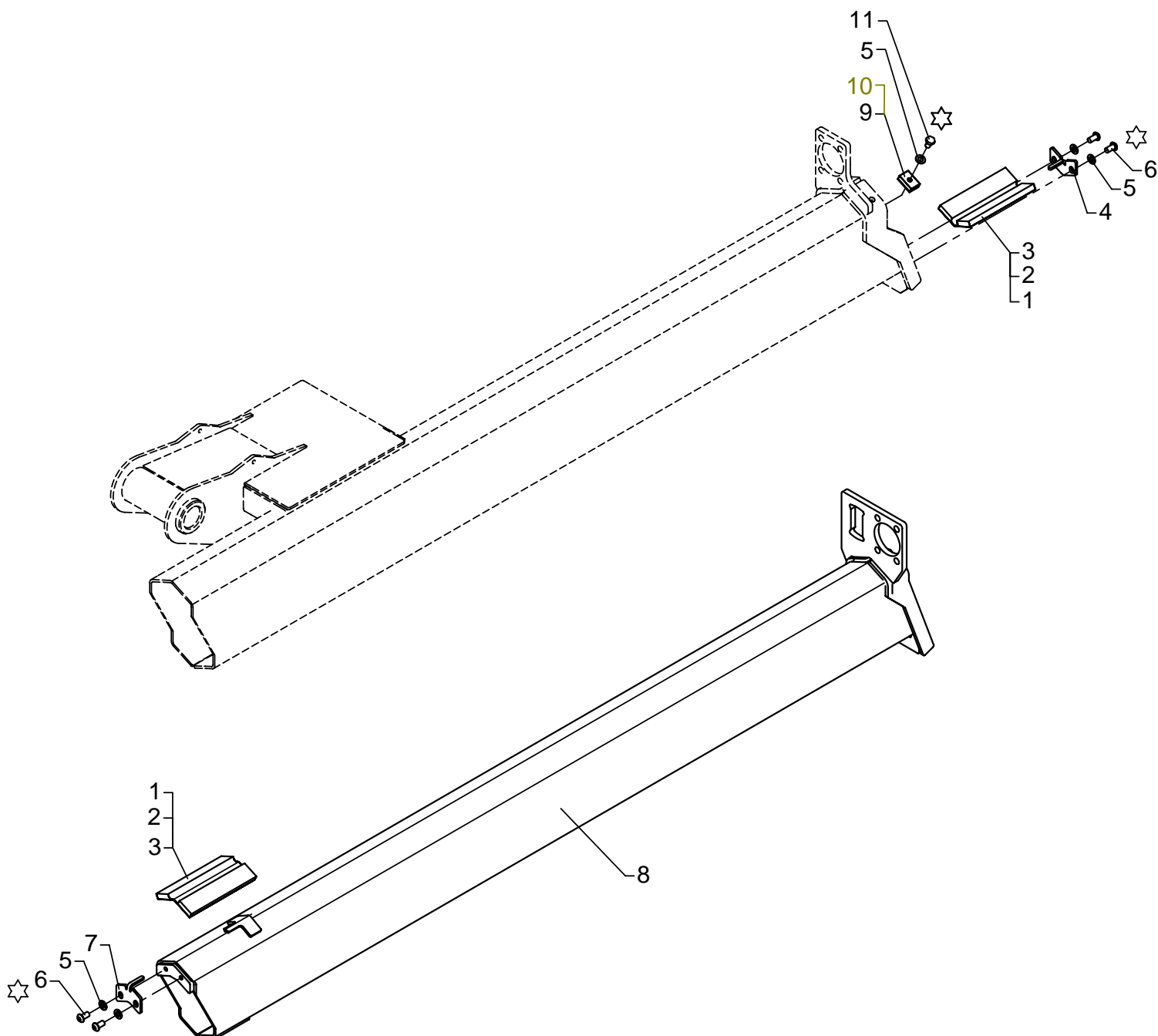
Jib

As from / To loader no.:67 00 01/
Created: 03.02.2005
Modified:

Item no.	Qty.	Part no.	Description	Remarks
1	1	1330084	Jib	
2	1	1330109	Pin	
3	1	1330108	Pin	
4	2	1330116	Lock plate	
5	2	23950	Bushing	EP35-39 x 40
6	2	31147	Washer, stainless	8 mm
7	2	30134	Set screw, stainless	M8 x 25
8	2	30886	Lock nut, stainless	M8
9	1	1330167	Distance pipe	

2.5/18

Intern ref.: 1330120



Jib extension, K1

As from / To loader no.:67 00 01/

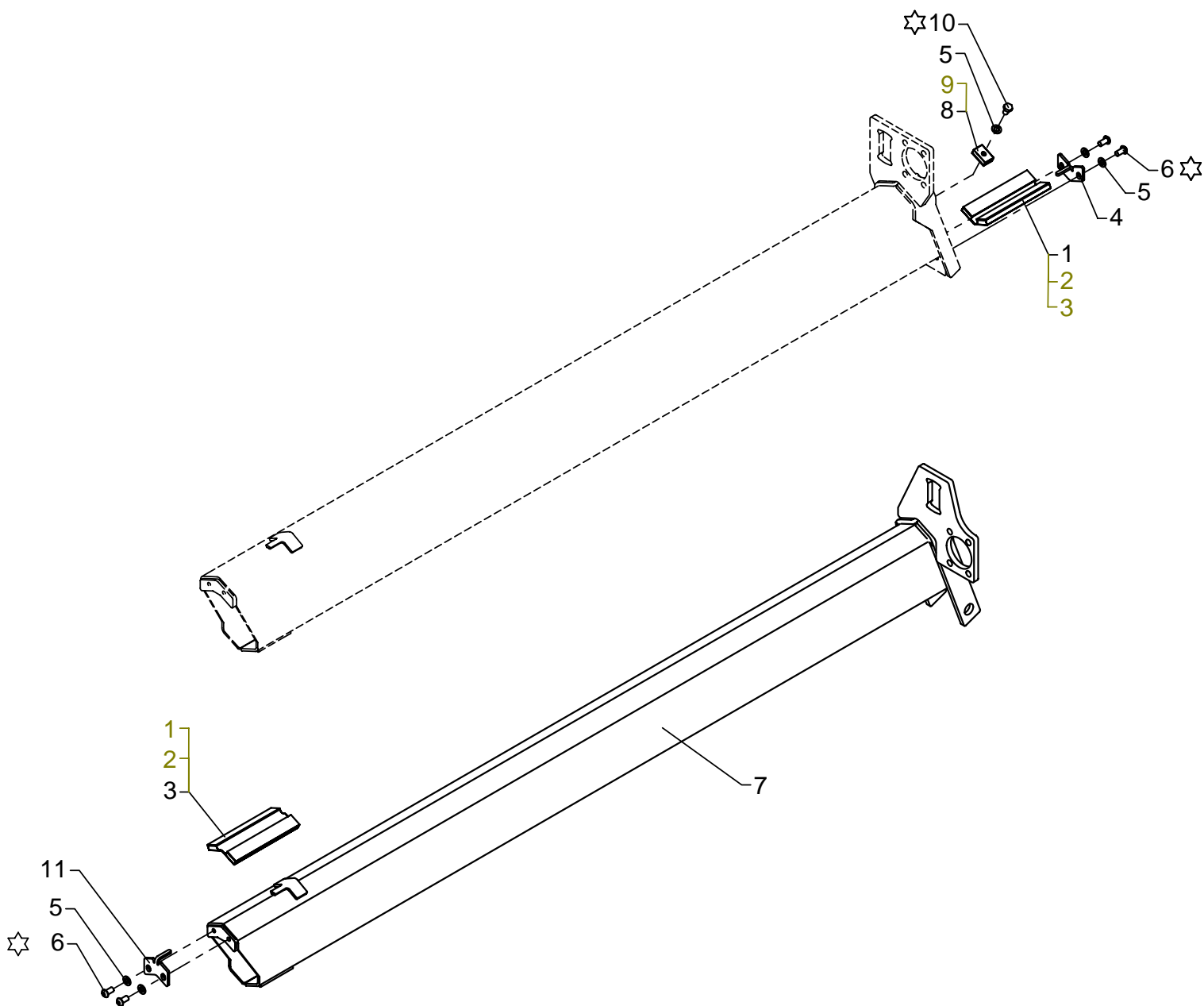
Created: 03.02.2005

Modified:

Item no.	Qty.	Part no.	Description	Remarks
1	2	63799	Slide block	6246244, 9 mm
2	2	63835	Slide block no. 1	6243534, 8 mm
3	2	63838	Slide block no. 4	6243564, 10 mm
4	1	1320186	Bracket	
5	6	31147	Washer, stainless	8 mm
6	4	30925	Round-head screw	M8 x 16
7	1	1320185	Bracket	
8	1	1330121	Extension, K1	
9	2	1330128	Spacer	
10	2	1330129	Spacer	
11	2	30130	Set screw, stainless	M8 x 12

2518

Intern ref.: 1330130



☆ Loctite 243

Jib extension, K2

As from / To loader no.:67 00 01/

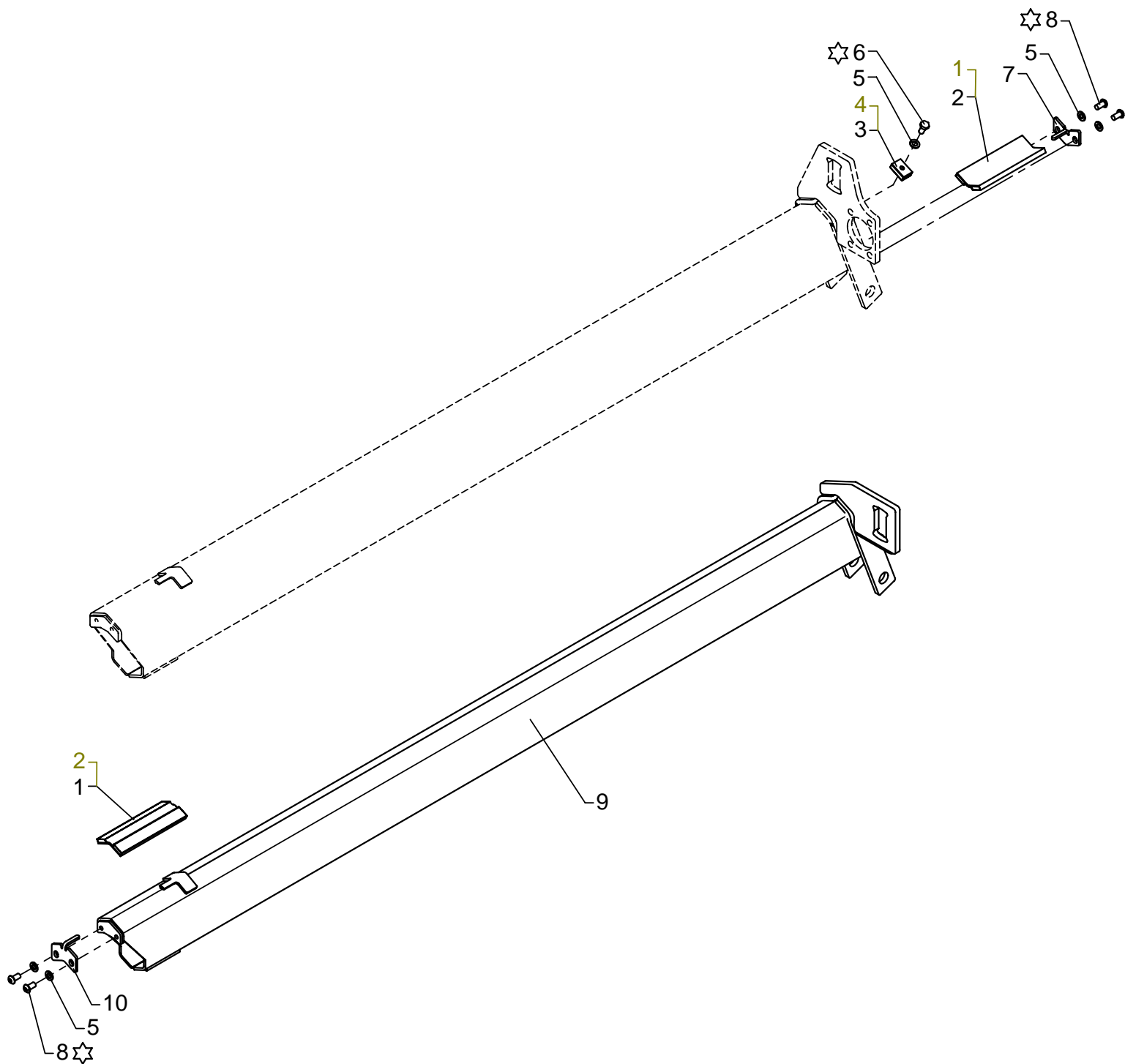
Created: 03.02.2005

Modified:

Item no.	Qty.	Part no.	Description	Remarks
1	2	63773	Slide block	6322744, 8 mm
2	2	63774	Slide block	6322754, 9 mm
3	2	63775	Slide block	6322764, 10 mm
4	1	1320186	Bracket	
5	6	31147	Washer, stainless	8 mm
6	4	30925	Round-head screw	M8 x 16
7	1	1330131	Extension, K2	
8	2	1330128	Spacer	
9	2	1330129	Spacer	
10	2	30130	Set screw, stainless	M8 x 12
11	1	1320185	Bracket	

2518

Intern ref.: 1330140



☆ Loctite 243

Extension, K3

As from / To loader no.:67 00 01/

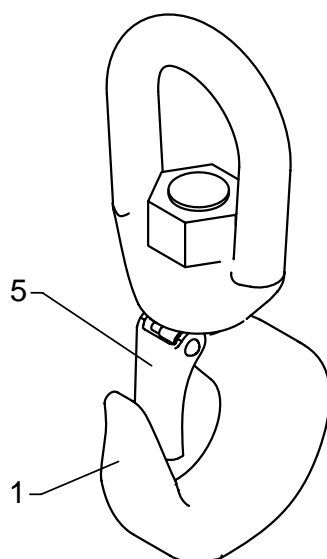
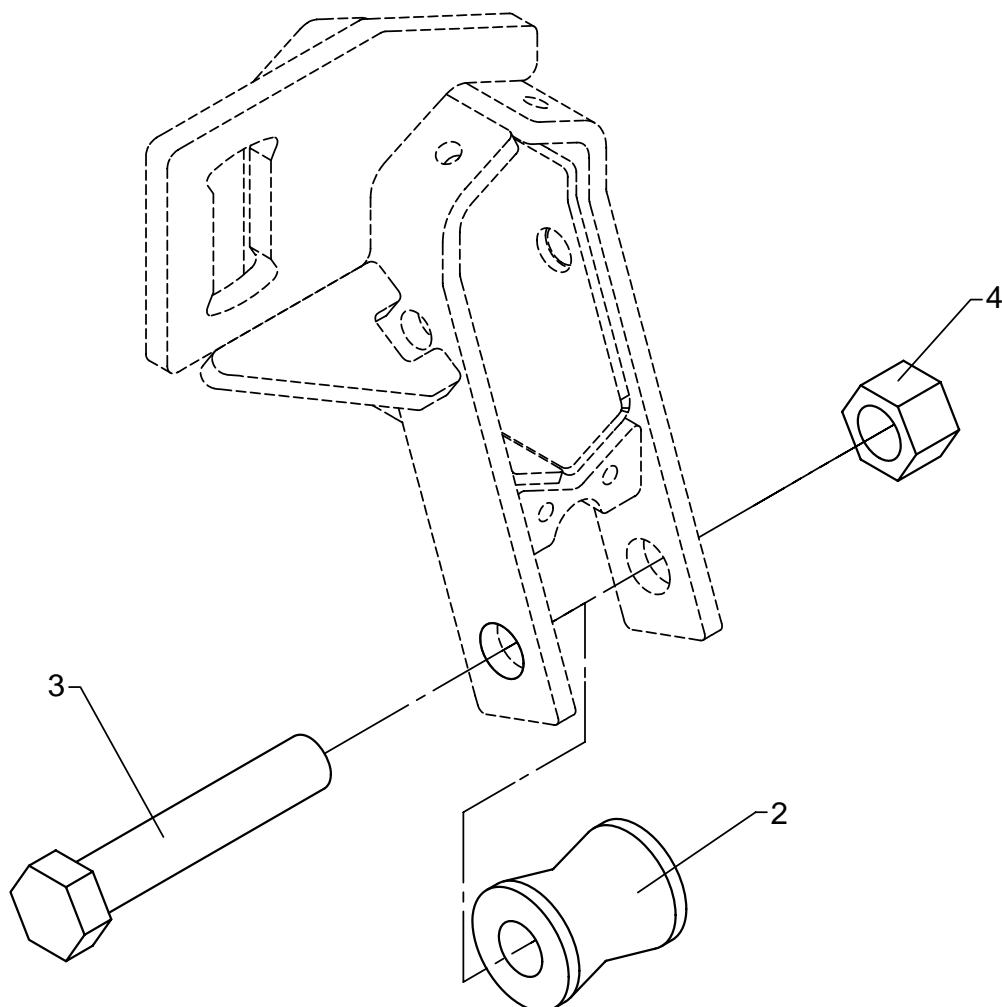
Created: 03.02.2005

Modified:

Item no.	Qty.	Part no.	Description	Remarks
1	2	63747	Slide block	6 mm
2	2	63748	Slide block	8 mm
3	2	1330129	Spacer	
4	2	1330128	Spacer	
5	6	31147	Washer, stainless	8 mm
6	2	30131	Set screw, stainless	M8 x 16
7	1	1320186	Bracket	
8	4	30925	Round-head screw	M8 x 16
9	1	1330141	Suspension, K3	
10	1	1320185	Bracket	

2.5/18

Intern ref.: 1330160



Hook suspension

As from / To loader no.:67 00 01/

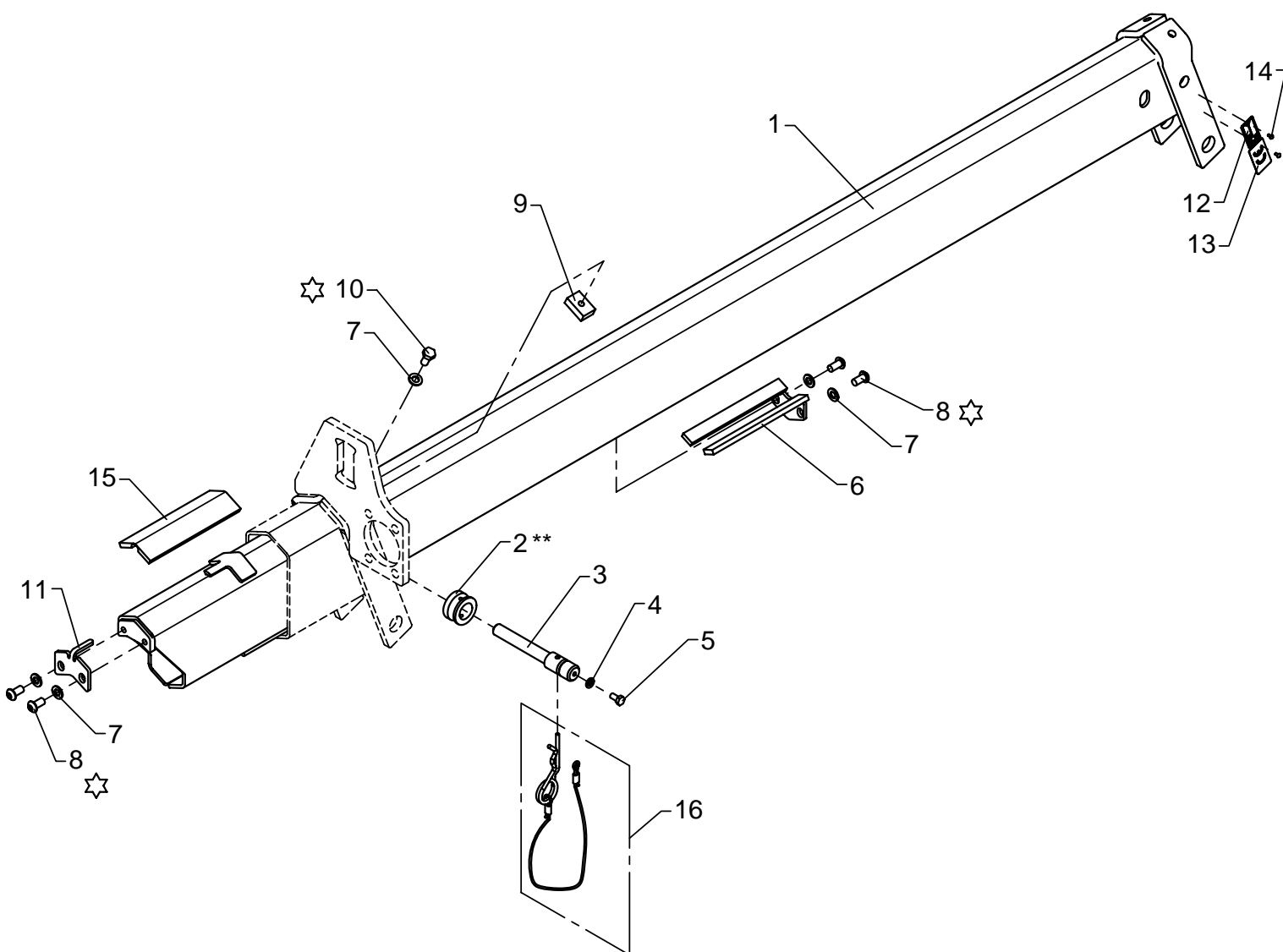
Created: 03.02.2005

Modified:

Item no.	Qty.	Part no.	Description	Remarks
1	1	62191	Swivel hook	
2	1	1330156	Hook suspension	
3	1	31537	Steel bolt, stainless	M20 x 110
4	1	30894	Lock nut	M20
5		63216	Safety catch	

2.5/18

Intern ref.: 1330360



☆ Loctite 243

** Svejses på kranarm
 To be welded on the extension
 An Kranarm zu schweißen
 À souder sur l'extension
 Soldar en la extensión

Man. extension, cpl., K2

As from / To loader no.:67 00 01/

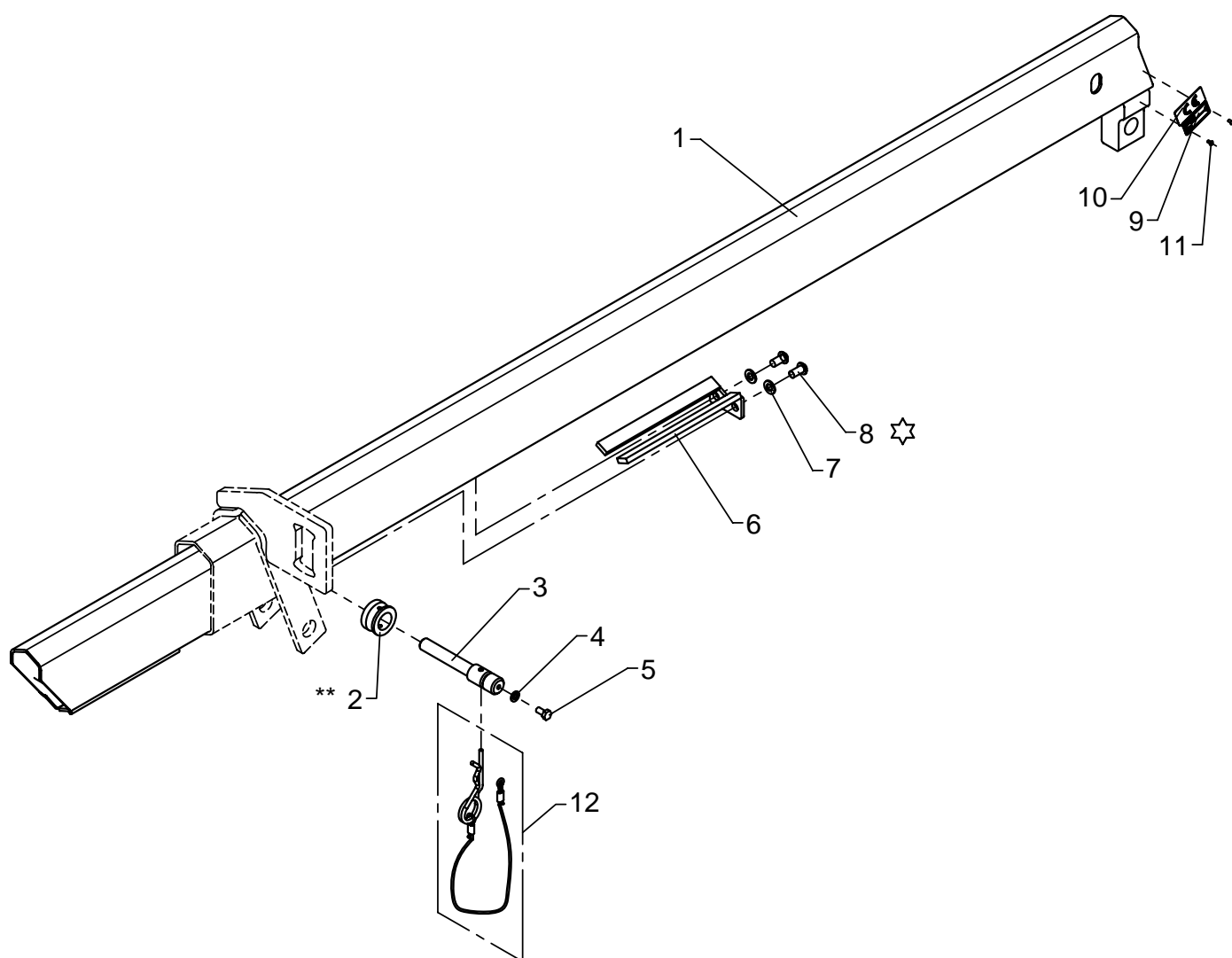
Created: 03.02.2005

Modified:

Item no.	Qty.	Part no.	Description	Remarks
1	1	1330231	Manual extension, K2	
2	1	1330222	Housing	
3	1	1330224	Lock pin	
4	1	32302	Face washer, stainless	6 mm
5	1	30111	Set screw, stainless	M6 x 12
6	1	1330233	Stop	
7	6	31147	Washer, stainless	8 mm
8	4	30925	Round-head screw	M8 x 16
9	2	1330128	Spacer	
10	2	30131	Set screw, stainless	M8 x 16
11	1	1320185	Bracket	
12	1	65796	Metallic plate - manual ext.	
13	1	65631	CE-label	
14	2	31340	Rivet	
15	1	63747	Slide block	6 mm
16	1	1330380	Lock spring with chain	

2.5/18

Intern ref.: 1330370



☆ Loctite 243

** Svejses på kranarm
 To be welded on the extension
 An Kranarm zu schweißen
 À souder sur l'extension
 Soldar en la extensión

Man. extension, cpl., K3

As from / To loader no.:67 00 01/

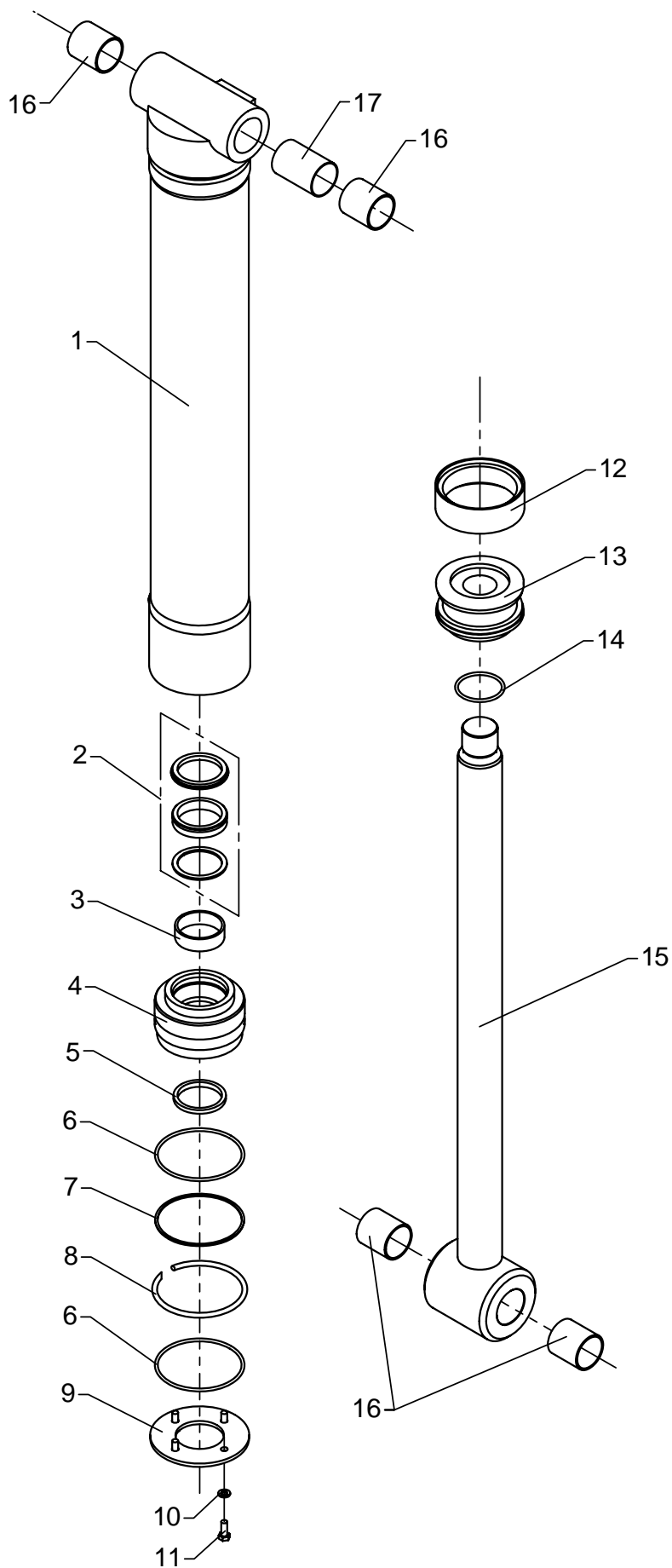
Created: 03.02.2005

Modified:

Item no.	Qty.	Part no.	Description	Remarks
1	1	1330213	Manual extension, K3	
2	1	1330222	Housing	
3	1	1330223	Lock pin	
4	1	32302	Face washer, stainless	6 mm
5	1	30111	Set screw, stainless	M6 x 12
6	1	1330217	Bracket	
7	2	31147	Washer, stainless	8 mm
8	2	30925	Round-head screw	M8 x 16
9	1	65796	Metallic plate - manual ext.	
10	1	65631	CE-label	
11	2	31340	Rivet	
12	1	1330380	Lock spring with chain	

2.5/18

Intern ref.: 1330040



Boom- and jib cylinder

As from / To loader no.: 67 00 01/

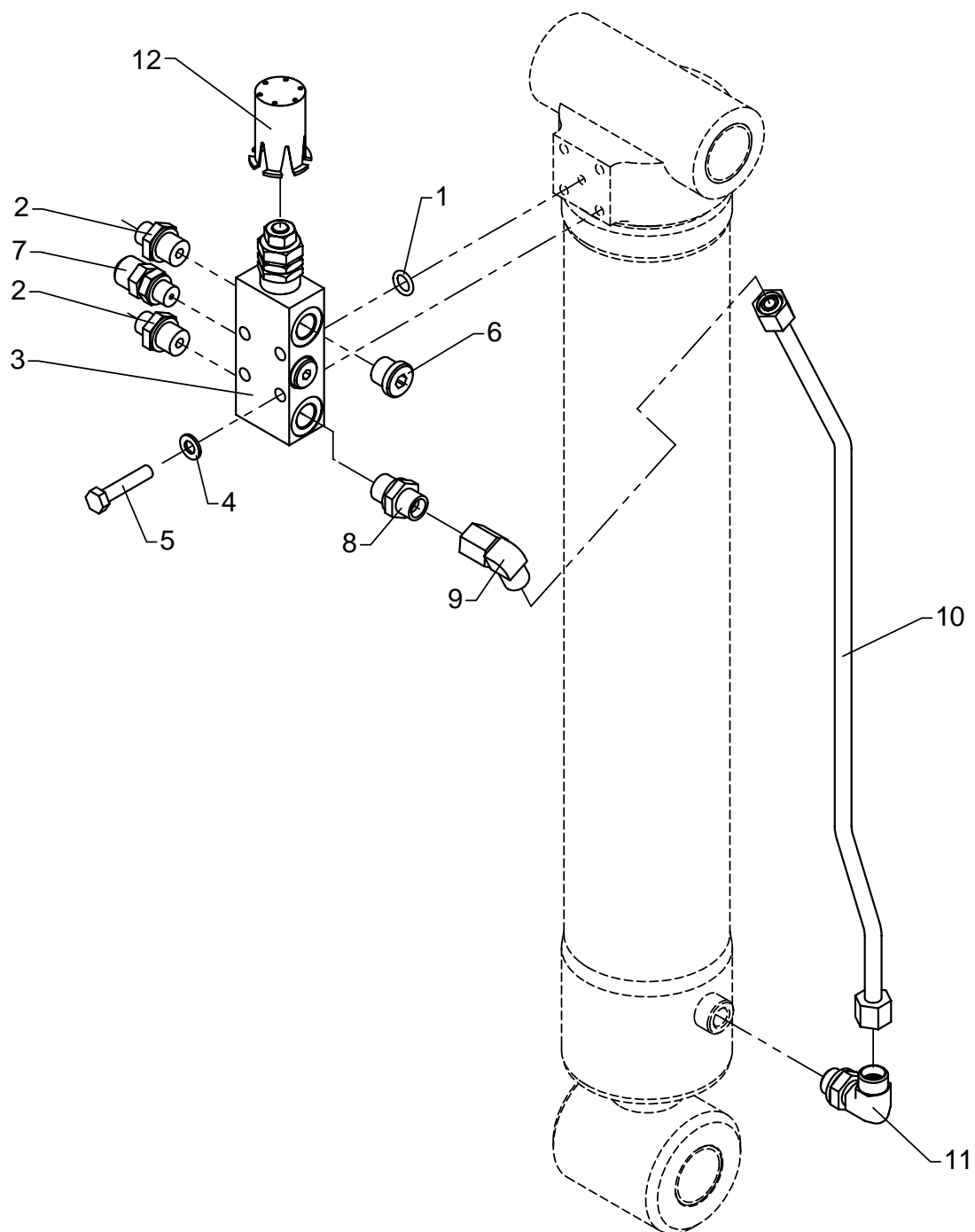
Created: 03.02.2005

Modified:

Item no.	Qty.	Part no.	Description	Remarks
	1	6893760	Seal kit	Pos. 2, 3, 5, 6, 8, 12, 14
1	1	1330048	Boom/jib cylinder	
2	1	20970	Seal kit	
3	1	21851	Guide ring	RWR 45 x 50 x 15-A
4	1	1330054	Guide	
5	1	20964	Scraper	PWD 45/53 x 5 x 5,8
6	2	20190	O-ring	OR 84,5 x 3
7	1	20710	Back ring	84,5 x 3
8	1	33488	Lock ring, black	
9	1	1330059	Plate	
10	4	32302	Face washer, stainless	6 mm
11	4	30112	Set screw, stainless	M6 x 16
12	1	21852	Seal double-acting	M 90 x 75 x 20
13	1	1330057	Piston	
14	1	20181	O-ring	OR 44,2 x 3
15	1	1330055	Piston rod	
16	4	23950	Bushing	ø35/ø39 x 40 mm MF41
17	1	1330092	Distance pipe	

2.5/18

Intern ref.: 1330050



Boom cylinder with LHV

As from / To loader no.:67 00 01/

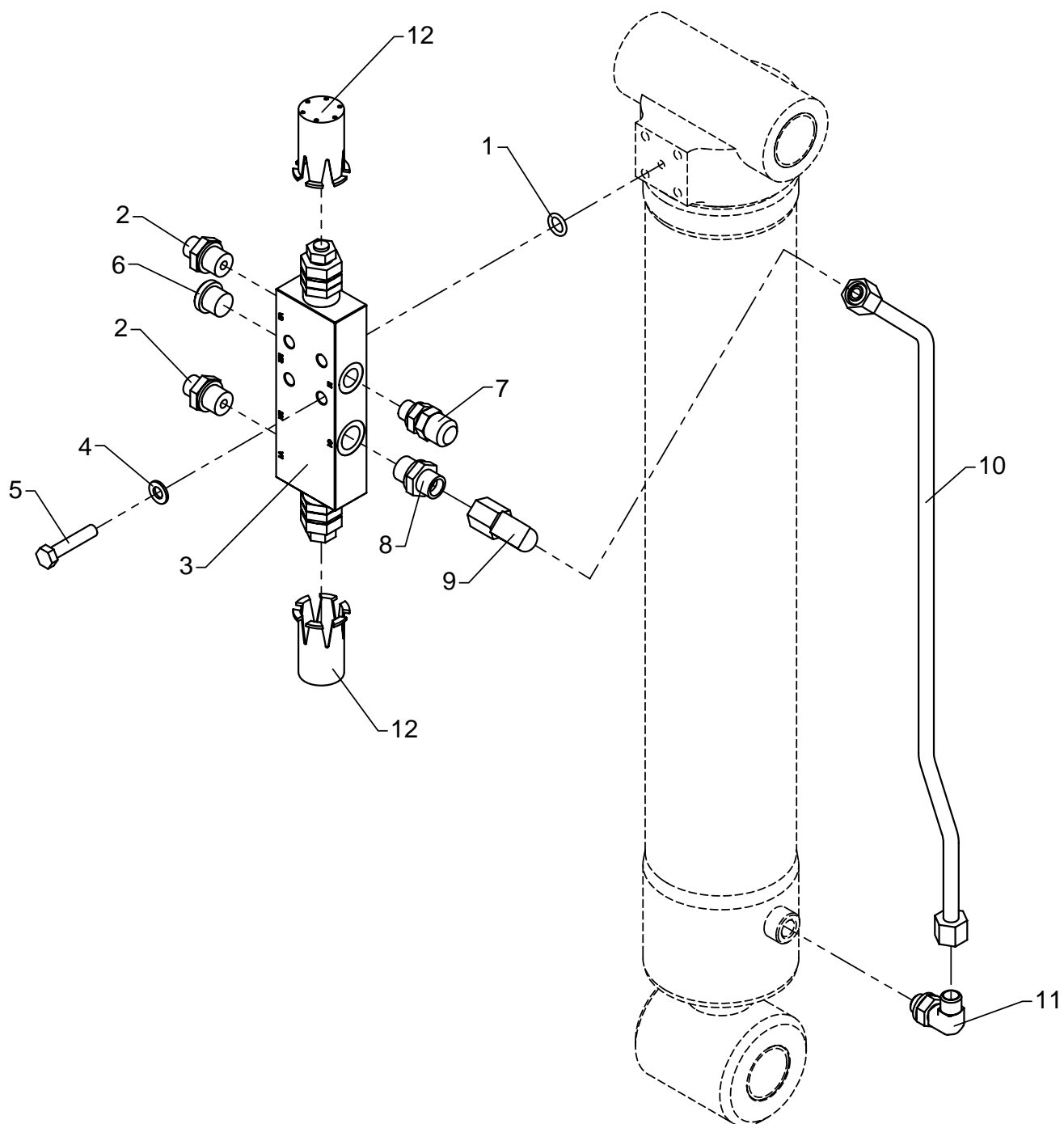
Created: 03.02.2005

Modified:

Item no.	Qty.	Part no.	Description	Remarks
1	1	20138	O-ring	OR 10,77 x 2,62
2	2	25244	Connection	GES 8 L/R 3/8-WD
3	1	58480	Single valve	
4	4	31147	Washer, stainless	8 mm
5	4	30137	Set screw, stainless	M8 x 40
6	1	25277	Plug	VS-R-3/8 WD
7	1	26103	Pressure-gauge connect.	
8	1	25253	Connection	GEV 10 L/R 3/8-WD
9	1	25120	Elbow connection	P-EWV 10 L-SV
10	1	1330202	Pipe	
11	1	26897	Elbow connection	
12	1	59966	Cover	

2.5/18

Intern ref.: 1330150



Jib cylinder with double LHV

As from / To loader no.:67 00 01/

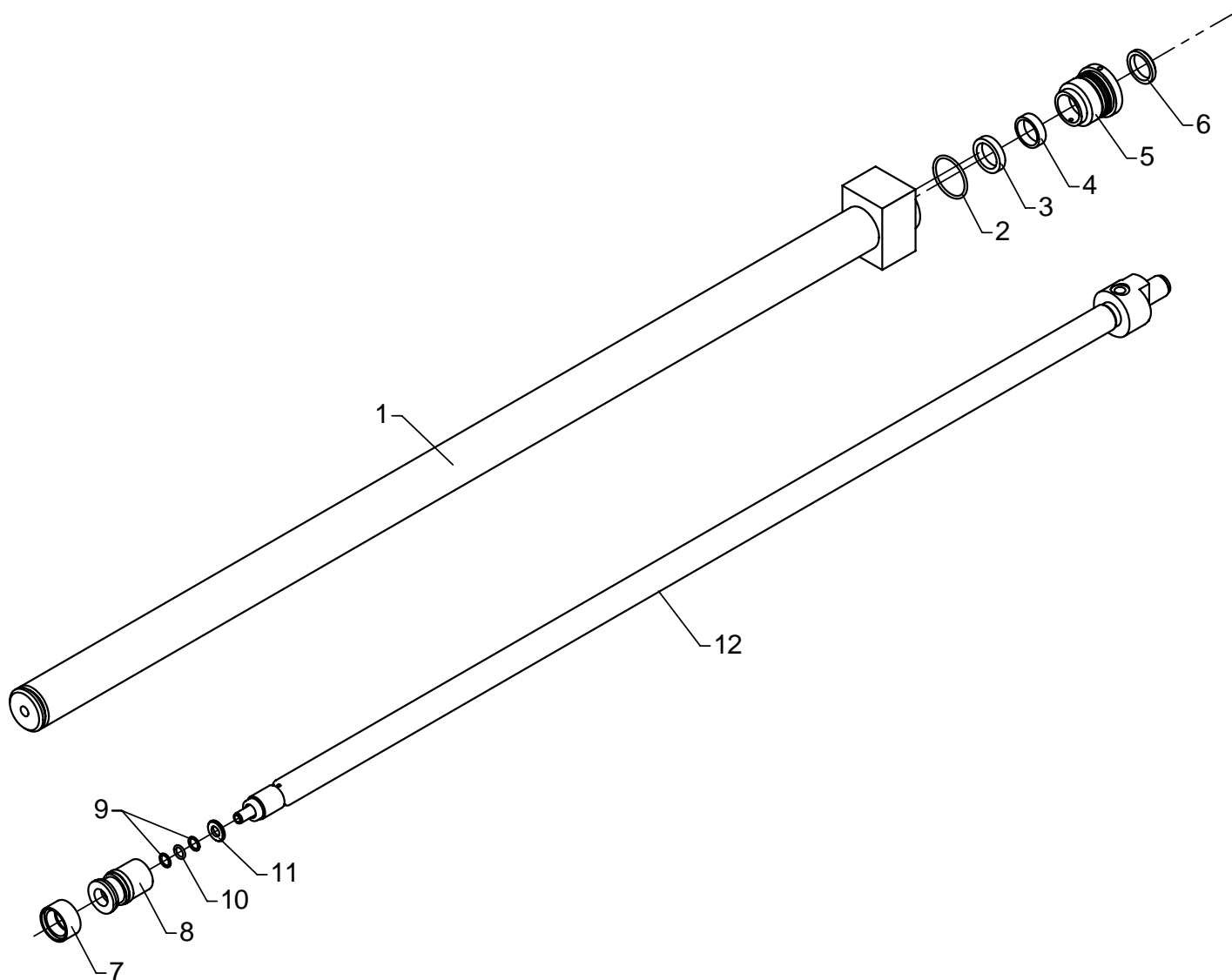
Created: 03.02.2005

Modified:

Item no.	Qty.	Part no.	Description	Remarks
1	1	20138	O-ring	OR 10,77 x 2,62
2	2	25244	Connection	GES 8 L/R 3/8-WD
3	1	59027	Load-holding valve	
4	4	31147	Washer, stainless	8 mm
5	4	30137	Set screw, stainless	M8 x 40
6	1	25277	Plug	VS-R-3/8 WD
7	1	26103	Pressure-gauge connect.	
8	1	25253	Connection	GEV 10 L/R 3/8-WD
9	1	25120	Elbow connection	P-EWV 10 L-SV
10	1	1330203	Pipe	
11	1	26896	Elbow connection	
12	2	59966	Cover	

2.5/18

Intern ref.: 1330110



Extension cylinder, I, C40-1200

As from / To loader no.:67 00 01/

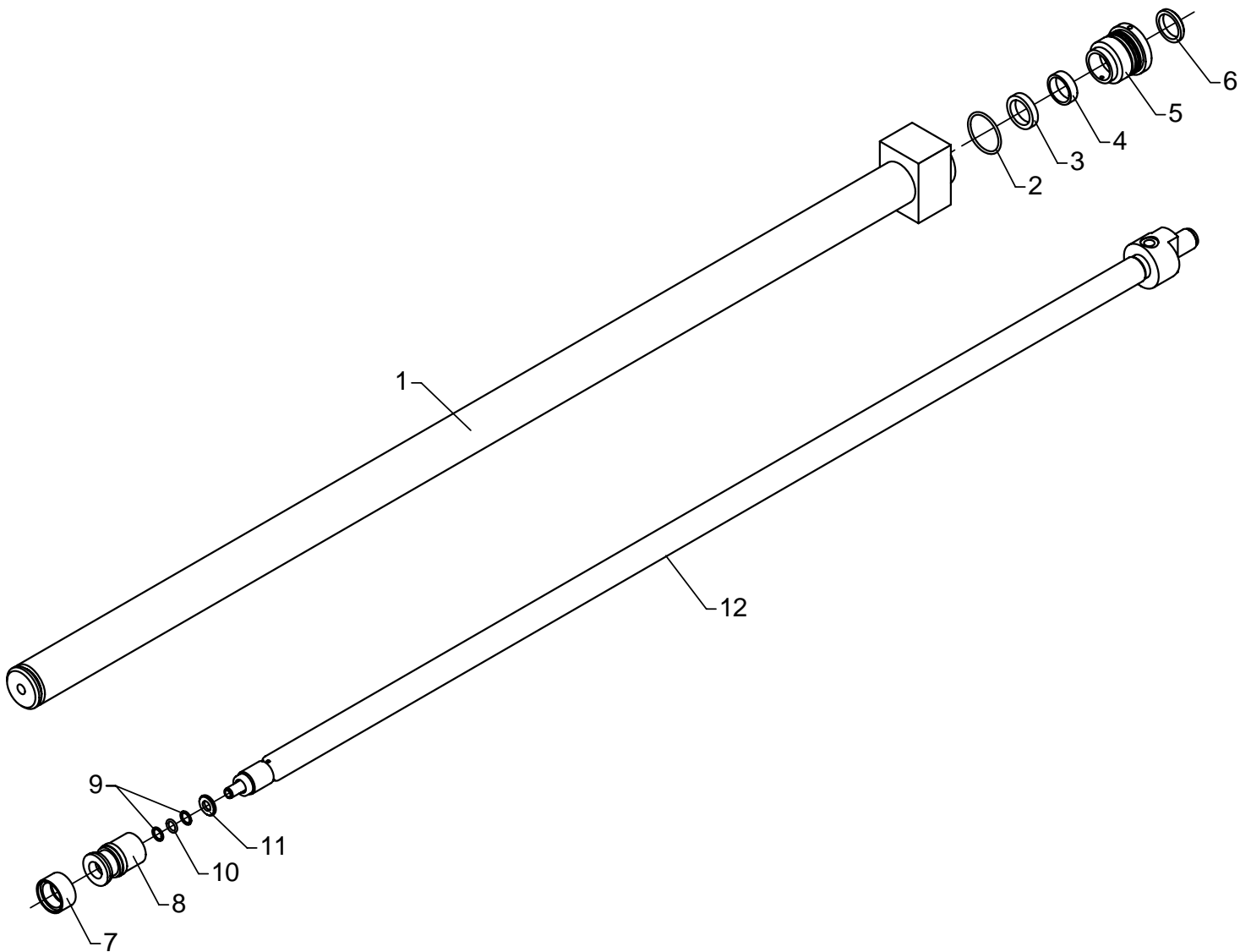
Created: 03.02.2005

Modified:

Item no.	Qty.	Part no.	Description	Remarks
	1	6393550	Seal kit	Pos. 2, 3, 4, 6, 7, 9, 10
1	1	1330111	Cylinder pipe	
2	1	20181	O-ring	OR 44,2 x 3
3	1	20973	Seal	SI/L 30/40 x 8
4	1	20974	Guide ring	PWR 30 x 36 x 10-A
5	1	1320142	Guide	
6	1	20972	Scraper	SDR 30 x 38 x 6 x 6,5
7	1	20971	Seal	MD 40/30 x 12,4
8	1	1320141	Piston	
9	2	20879	Back ring	11,3 x 2,4
10	1	20126	O-ring	OR 11,3 x 2,4
12	1	1320136	Piston rod	
11	1	1320143	Ring	
12	1	1330113	Piston rod	

2.5/18

Intern ref.: 1320110



Extension cylinder, II, C40-1300

As from / To loader no.:67 00 01/

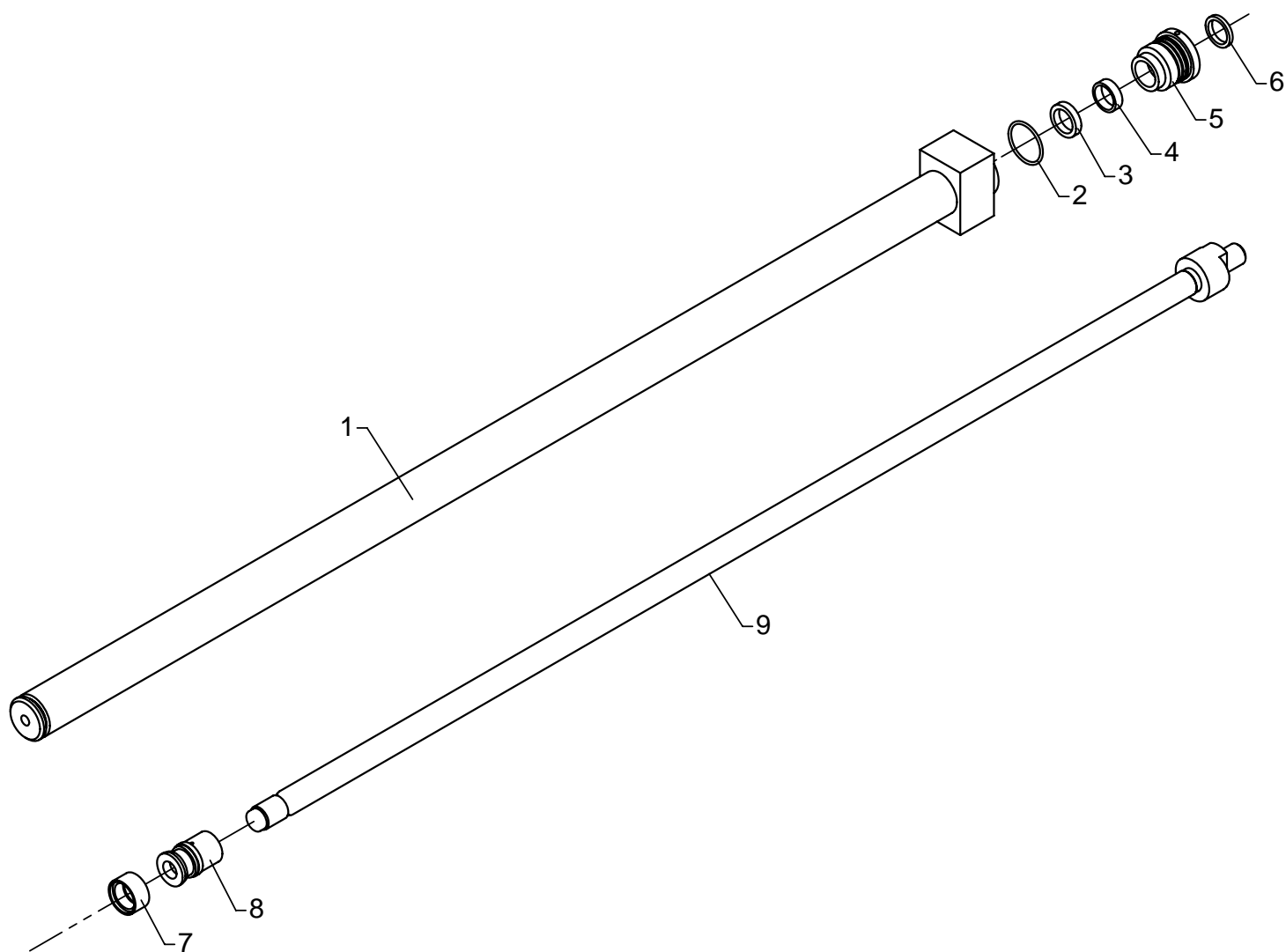
Created: 03.02.2005

Modified:

Item no.	Qty.	Part no.	Description	Remarks
	1	6393550	Seal kit	Pos. 2, 3, 4, 6, 7, 9, 10
1	1	1320132	Cylinder pipe	
2	1	20181	O-ring	OR 44,2 x 3
3	1	20973	Seal	SI/L 30/40 x 8
4	1	20974	Guide ring	PWR 30 x 36 x 10-A
5	1	1320142	Guide	
6	1	20972	Scraper	SDR 30 x 38 x 6 x 6,5
7	1	20971	Seal	MD 40/30 x 12,4
8	1	1320141	Piston	
9	2	20879	Back ring	11,3 x 2,4
10	1	20126	O-ring	OR 11,3 x 2,4
11	1	1320143	Ring	
12	1	1320136	Piston rod	

2.5/18

Intern ref.: 1320120



Extension cylinder, III, C40-1300

As from / To loader no.:67 00 01/

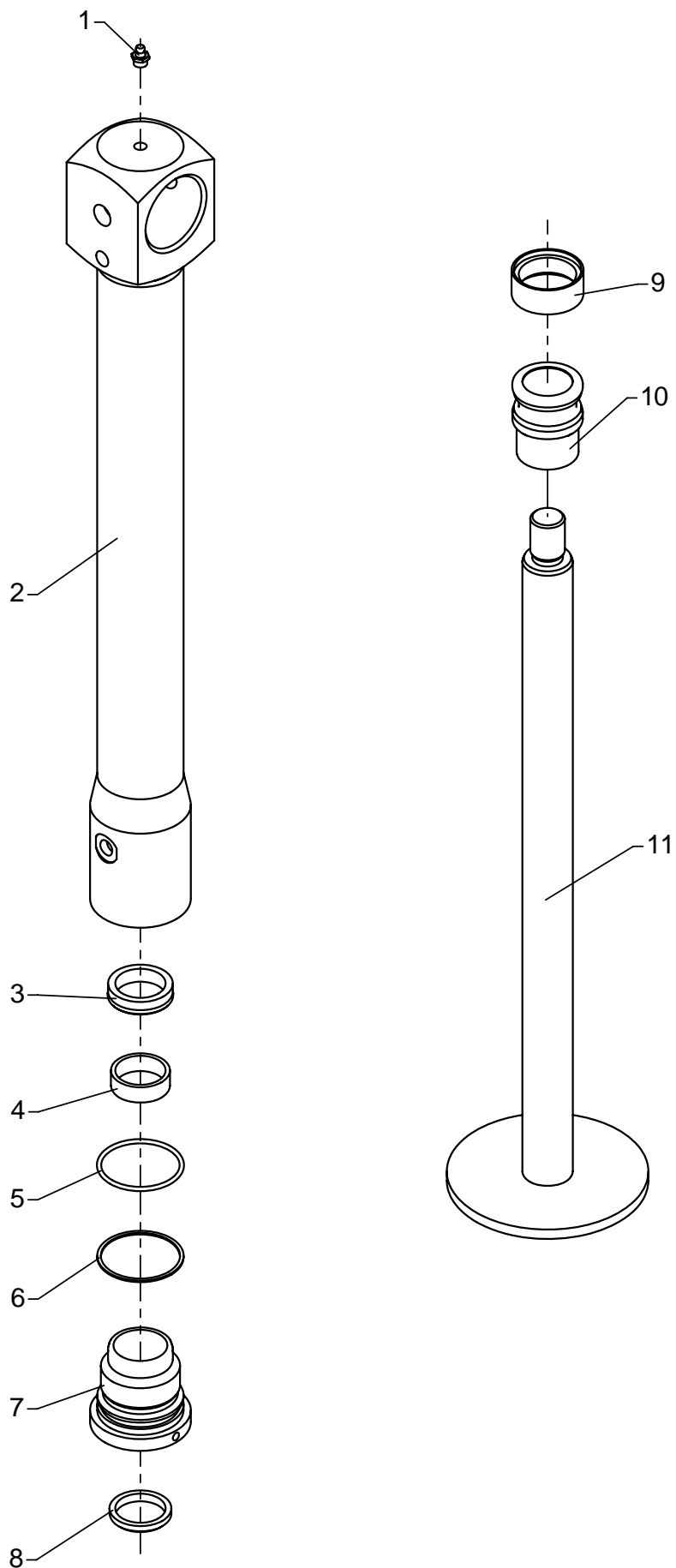
Created: 03.02.2005

Modified:

Item no.	Qty.	Part no.	Description	Remarks
	1	6893560	Seal kit	Pos. 2, 3, 4, 6, 7,
1	1	1320132	Cylinder pipe	
2	1	20181	O-ring	OR 44,2 x 3
3	1	20976	Seal	SI/L 28/38 x 8
4	1	20977	Guide ring	RWR 28/34 x 10-A
5	1	1320149	Guide	
6	1	20975	Scraper	PWD 28/36 x 5 x 5,8
7	1	20971	Seal	MD 40/30 x 12,4
8	1	1320148	Piston	
9	1	1320145	Piston rod	

2.5/18

Intern ref.: 1320070



Stabilizer cylinder, C50-335

As from / To loader no.:67 00 01/

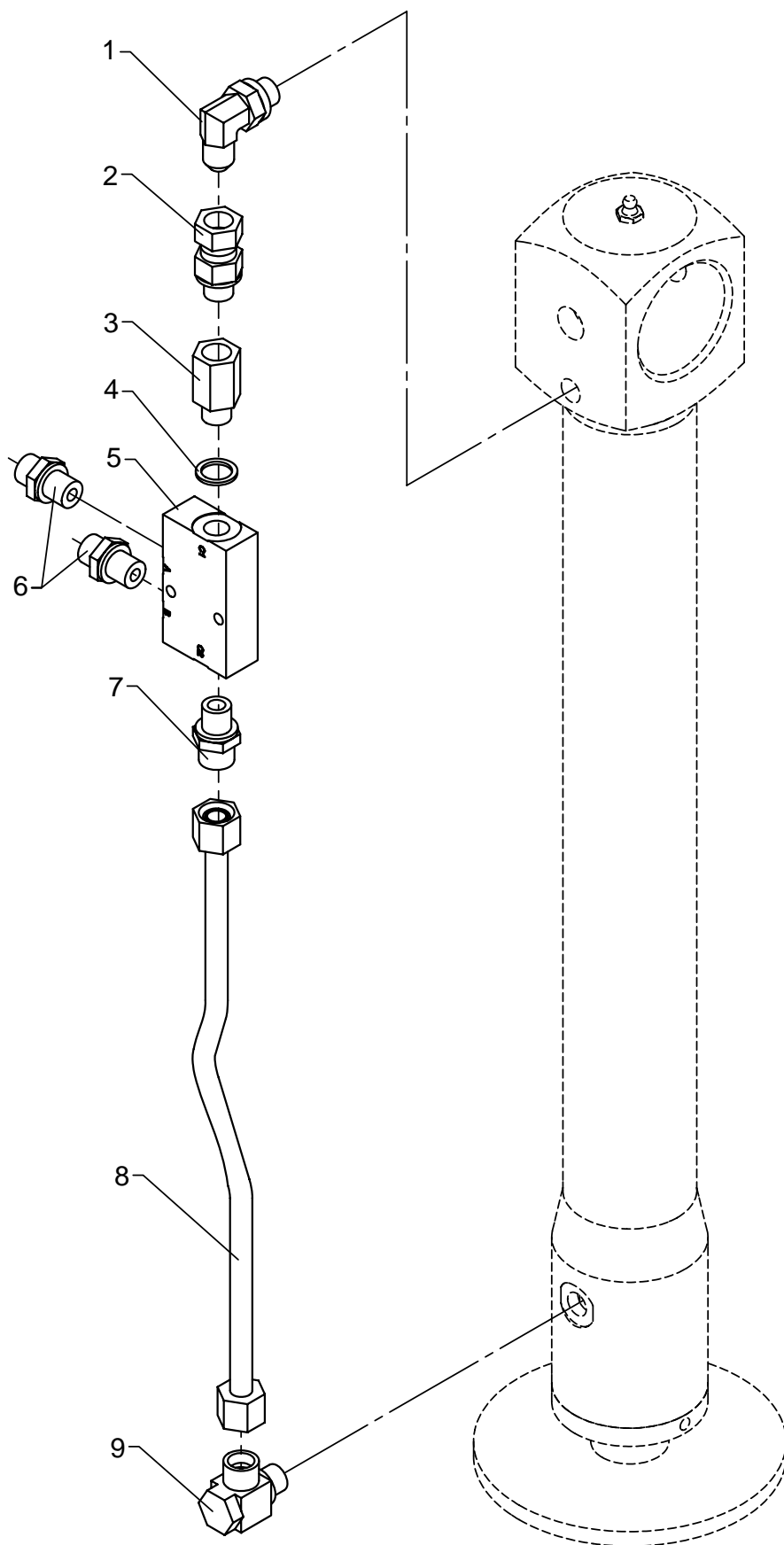
Created: 03.02.2005

Modified:

Item no.	Qty.	Part no.	Description	Remarks
	1	6893570	Seal kit	Pos. 3, 4, 5, 6, 8, 9
1	1	31318	Lubricator	1/8" RG
2	1	1320126	Cylinder pipe	
3	1	20967	Seal	SI/L 35/45 x 11
4	1	20969	Guide ring	RWR 34/41 x 13-A
5	1	20183	O-ring	OR 54,5 x 3
6	1	20882	Back ring	54,5 x 3
7	1	1320124	Guide	
8	1	20966	Scraper	SDR 35/42 x 6 x 6,5
9	1	20968	Seal	M 50/40 x 12,5
10	1	1320125	Piston	
11	1	1320121	Piston rod	

2.5/18

Intern ref.: 1330190



Stabilizer cylinder with piloted check-valve

As from / To loader no.:67 00 01/

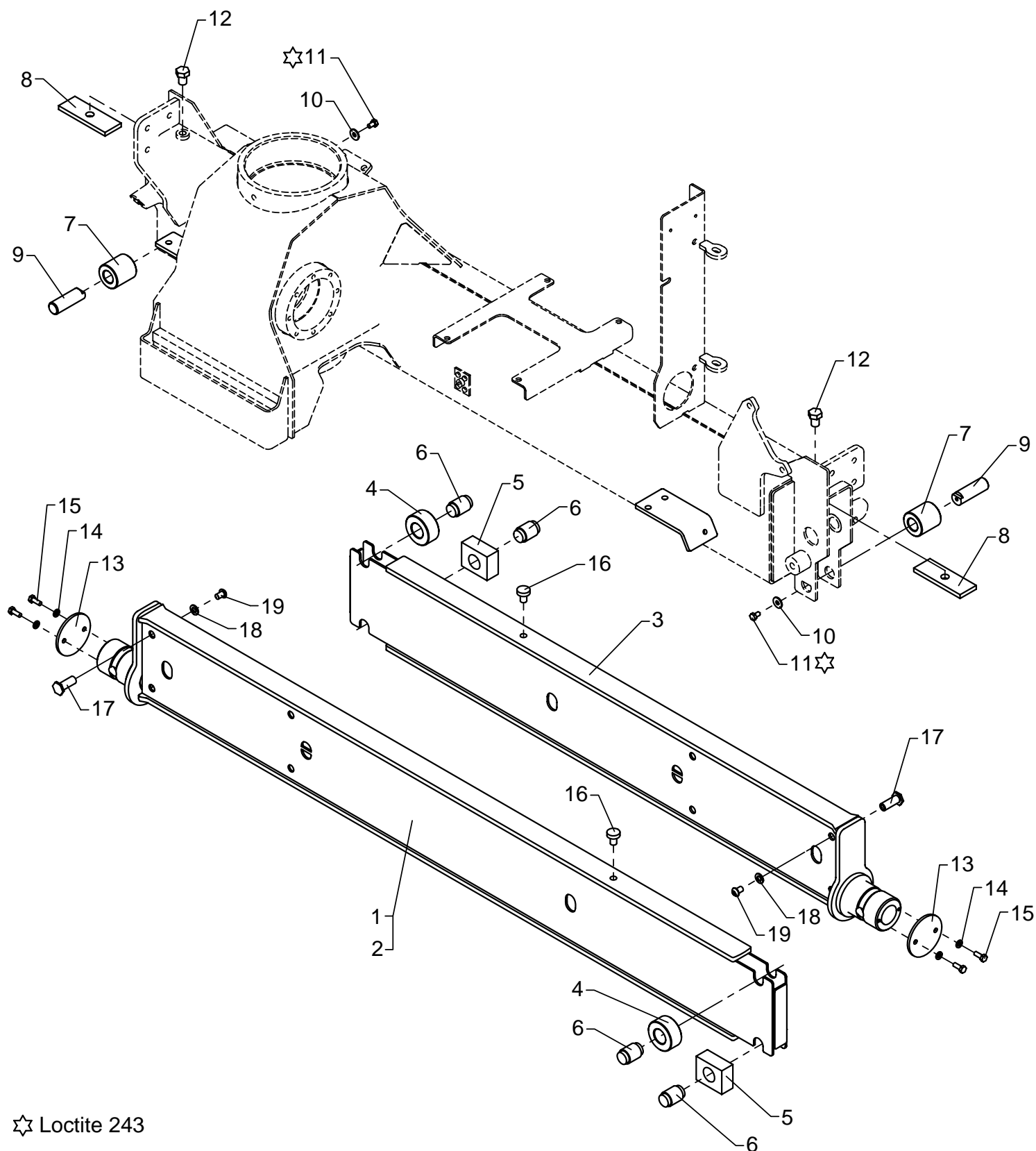
Created: 03.02.2005

Modified:

Item no.	Qty.	Part no.	Description	Remarks
1	1	25810	Elbow connection	C40XS 10-1/4 JIC
2	1	25733	Adaptor	F64XS 14/16 - 3/8" JIC
3	1	59077	Reducing nipple	1/4 BSP x 1/4 BSP
4	1	21102	Seal washer	ø14 x 18,7 x 1,5
5	1	59087	Piloted check-valve	
6	2	25109	Connection	GES 8 LR-WD
7	1	25121	Connection	GEV 10 LR-WD
8	1	1320311	Pipe	
9	1	25123	Banjo connection	P-RSWV 10 LR

2.5/18

Intern ref.: 1330060



☆ Loctite 243

Stabilizer beam, short and long

As from / To loader no.:67 00 01/

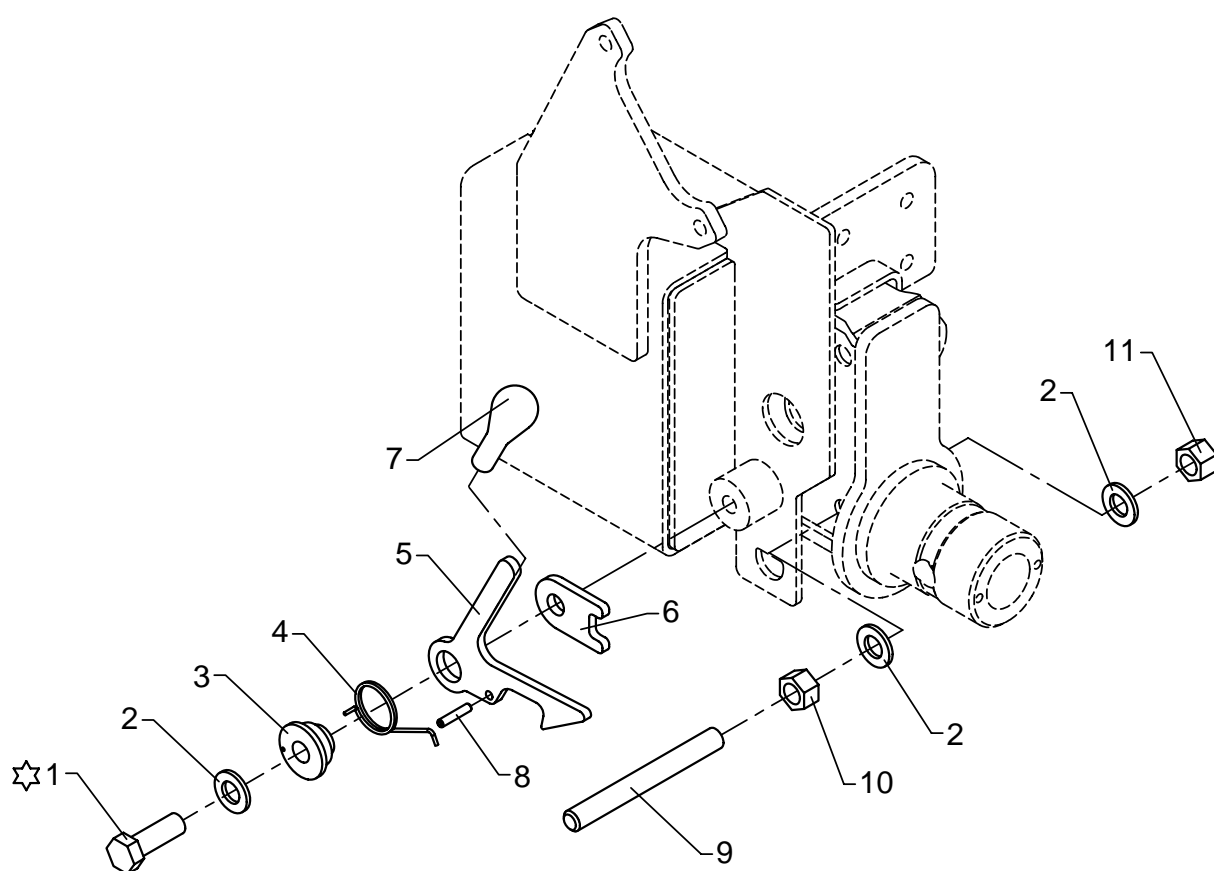
Created: 03.02.2005

Modified: 14.10.2005

Item no.	Qty.	Part no.	Description	Remarks
1	1	1330061	Single extension, 155mm, long	Kranbrede 1700 og 2000
2	1	1320538	Single extension, 155mm, long	Kranbrede 2000
3	1	1330065	Single extension, 155mm, short	Kranbrede 1700
4	2	63414	Guide roller	
5	2	63416	Spacer	
6	4	1330069	Pin	
7	2	63691	Guide roller	
8	2	63415	Spacer	
9	2	1330068	Pin	
10	2	31134	Washer, stainless	
11	2	30110	Set screw, stainless	M6 x 10
12	2	30174	Set screw	M12 x 16
13	2	1320094	End plate	
14	4	32302	Face washer, stainless	6 mm
15	4	30112	Set screw, stainless	M6 x 16
16	2	1320092	Stop	
17	2	1330188	Guide	
18	2	31147	Washer, stainless	8 mm
19	2	30924	Screw	M8 x 12

2.5/18

Intern ref.: 1320160



☆ Loctite 243

Safety lock

As from / To loader no.:67 00 01/

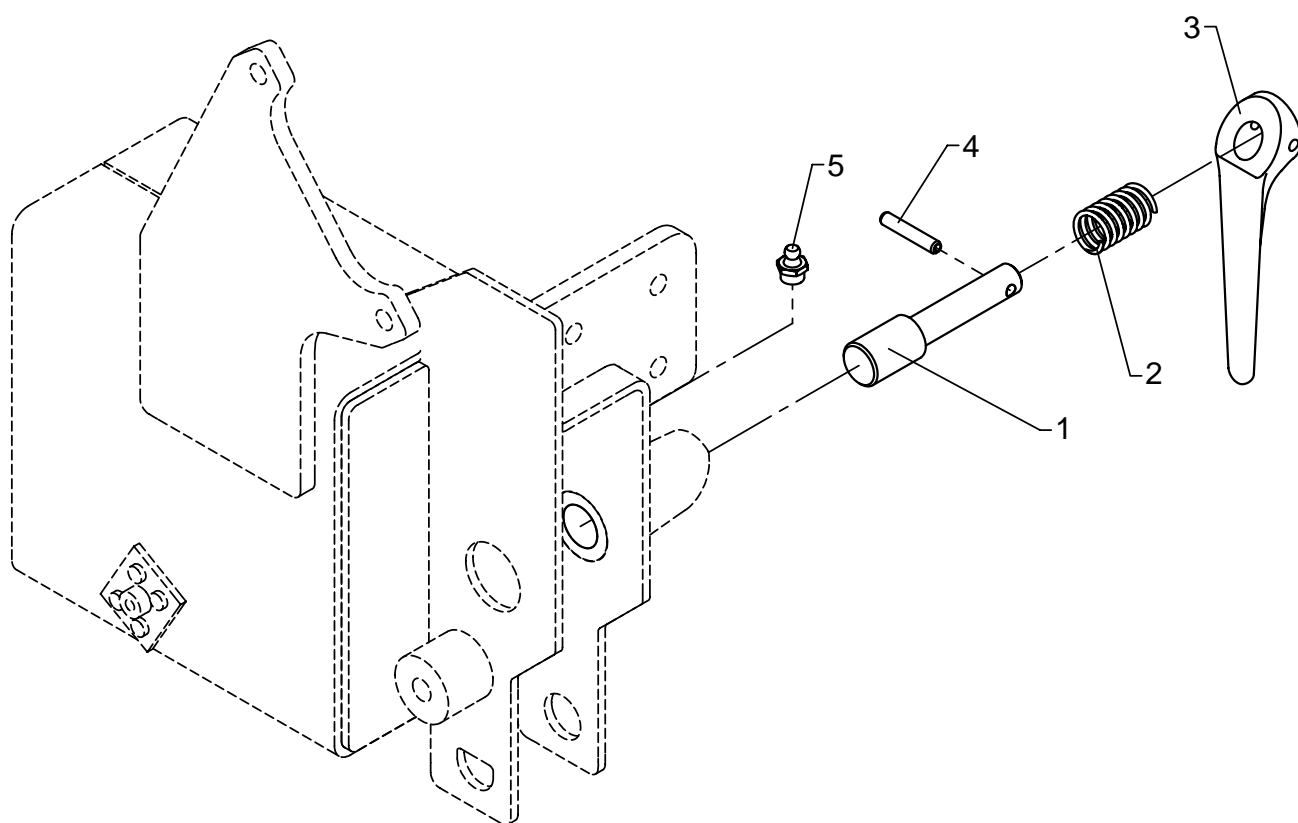
Created: 03.02.2005

Modified:

Item no.	Qty.	Part no.	Description	Remarks
1	1	30178	Set screw	M12 x 35
2	3	31131	Washer	12 mm
3	1	6323864	Spring guide	
4	1	33473	Spring	6179044
5	1	6323294	Hook	
6	1	6323914	Plate	
7	1	48406	Knob	-40 mm
8	1	31205	Retaining pin	ø5 x 16
9	1	1320223	Locking pin	
10	1	30860	Nut, stainless	M12
11	1	30890	Lock nut	M12

2.5/18

Intern ref.: 1330180



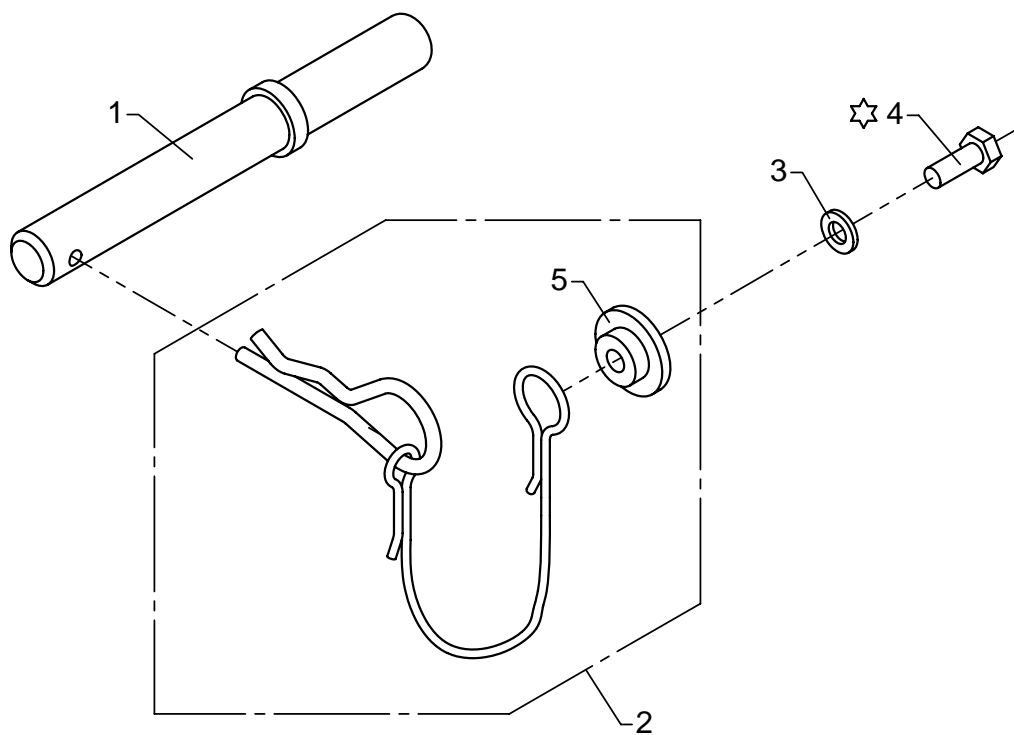
Stabilizer lock

As from / To loader no.: 67 00 01/
Created: 03.02.2005
Modified:

Item no.	Qty.	Part no.	Description	Remarks
1	1	1330205	Lock pin	
2	1	33367	Spring	6884924
3	1	1320221	Lever	
4	1	31586	Retaining pin, stainless	ø5 x 30
5	1	31318	Lubricator	1/8" RG

2.5/18

Intern ref.: 1320180



☆ Loctite 243

Lock bolt for stabilizer leg

As from / To loader no.:67 00 01/

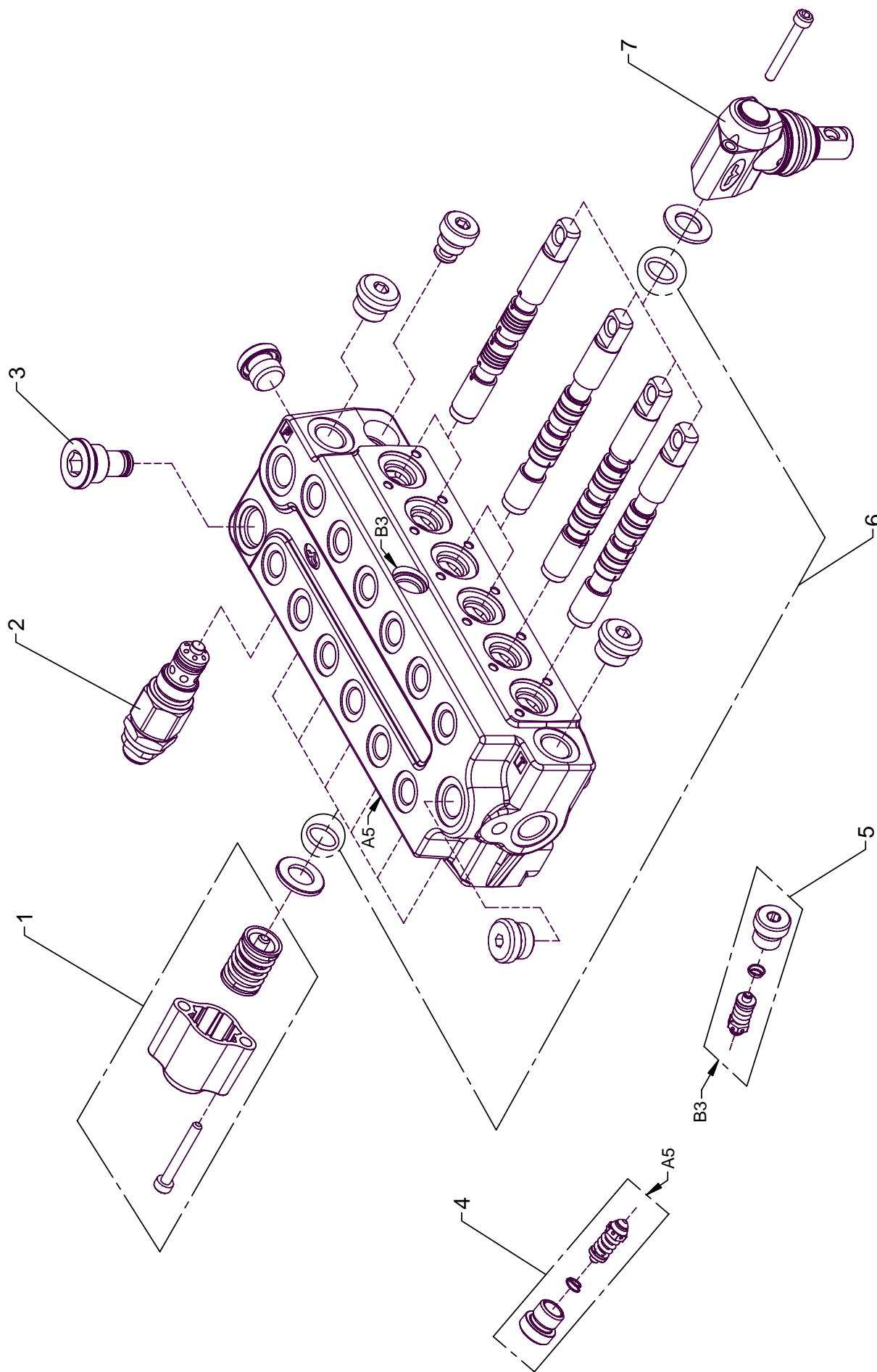
Created: 03.02.2005

Modified:

Item no.	Qty.	Part no.	Description	Remarks
1	1	1320225	Pin	
2	1	1320250	Wire, cpl.	
3	1	32302	Face washer, stainless	6 mm
4	1	30112	Set screw, stainless	M6 x 16
5		6323904	Chain attachment	

2.5/18

Intern ref.: 59797



Valve block SDM081

As from / To loader no.:68 00 01 /

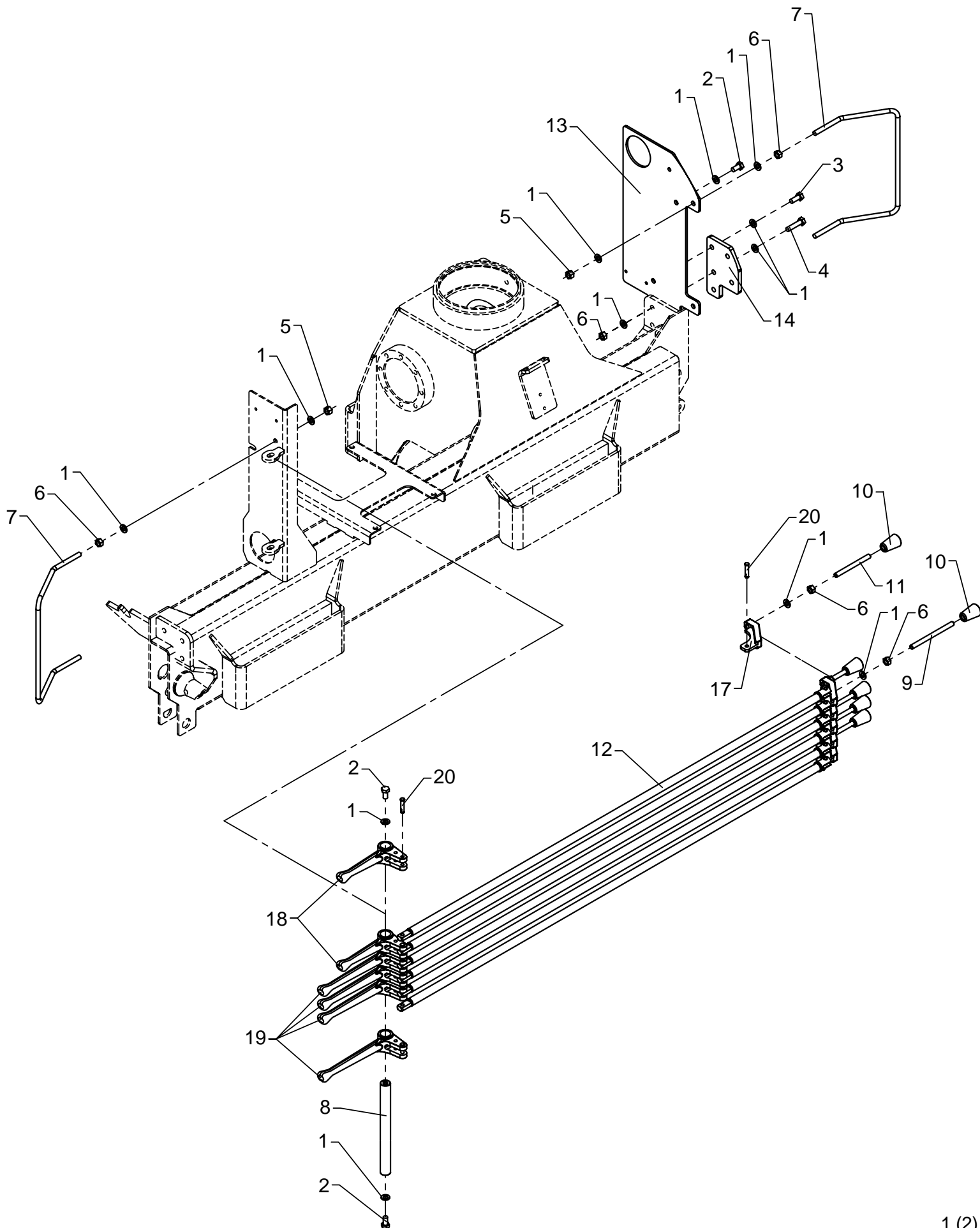
Created: 01.06.2005

Modified:

Item no.	Qty.	Part no.	Description	Remarks
		59797	Valve block	
1	1	55231	Cover with spring kit	
2	1	55240	Main relief valve	
3	1	55233	Plug	
4	1	55241	Anitscock valve	200 Bar
5	1	55236	Anitscock valve	120 Bar
6	1	55238	O-ring	
7	1	55235	Bracket for lever	

2.5/18

Intern ref.: 1330270



Valve bracket and dual control

As from / To loader no.:67 00 01 /

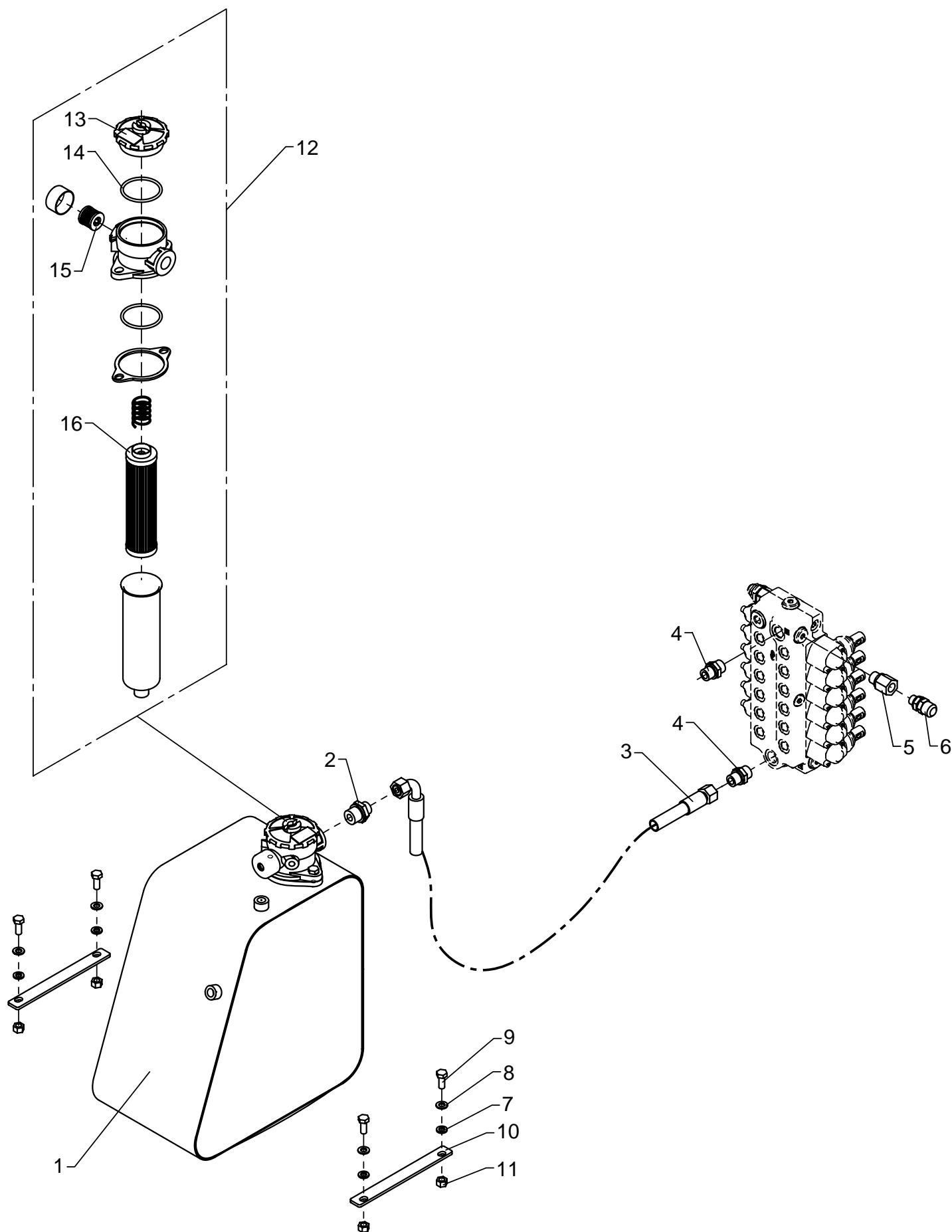
Created: 01.06.2005

Modified: 15.05.2006

Item no.	Qty.	Part no.	Description	Remarks
1	24	31147	Washer, stainless	8 mm
2	3	30131	Set screw, stainless	M8 x 16
3	1	30132	Set screw, stainless	M8 x 20
4	3	30136	Steel bolt, stainless	M8 x 35
5	4	30886	Lock nut, stainless	M8
6	13	30856	Nut, stainless	M8
7	2	1330184	Clamp	
8	1	1320237	Pin, 6 sect.	
9	4	1330187	Control lever, long, straight	
10	6	59224	Knob for lever	
11	2	1330185	Control lever, short, straight	
12	6	1330271	Connecting rod	
13	1	1330182	Valve bracket	
14	1	1330183	Plate for valve bracket	
17	6	63450	Adapter for dual controls	
18	2	63446	Lever for dual controls	
19	4	63445	Lever for dual controls	
20	12	63468	Split pin with spring lock	

2.5/18

Intern ref.: 1330170



Pump circuit incl. tank

As from / To loader no.:67 00 01 /

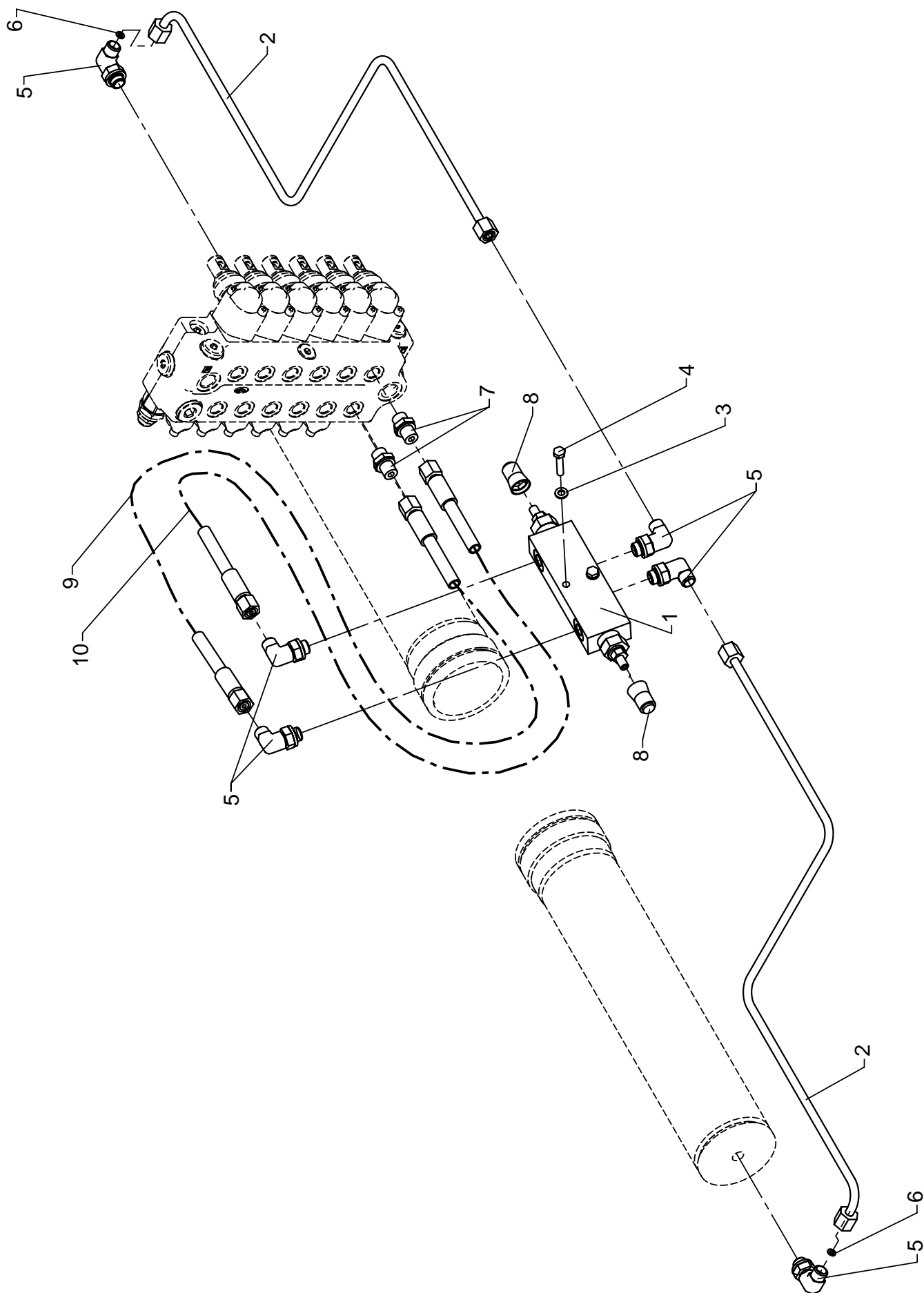
Created: 03.02.2005

Modified: 16.05.2006

Item no.	Qty.	Part no.	Description	Remarks
1	1	59329	Oil tank cpl. incl. filter	
2	1	25108	Connection	GES 12 L/R 1/2-WD
3	1	0017300	Hose	3/8" x 850 V/O
4	2	25127	Connection	GES 12 LR-WD
5	1	25225	Reducing connection	RED-R 3/8-WD/R 1/4
6	1	26103	Pressure-gauge connect.	
7	4	31155	Spring washer	8 mm
8	4	31147	Washer, stainless	8 mm
9	4	30132	Set screw, stainless	M8 x 20
10	2	1330177	Fittings	
11	4	30886	Lock nut, stainless	M8
12		58401	Return filter	
13		58404	Cover	
14		20235	O-ring	OR 50.8 X 3.53
15		58403	Air filter	
16		58402	Filter cartridge	

2.5/18

Intern ref.: 1330240



Hydraulic system, slewing

As from / To loader no.:67 00 01 /

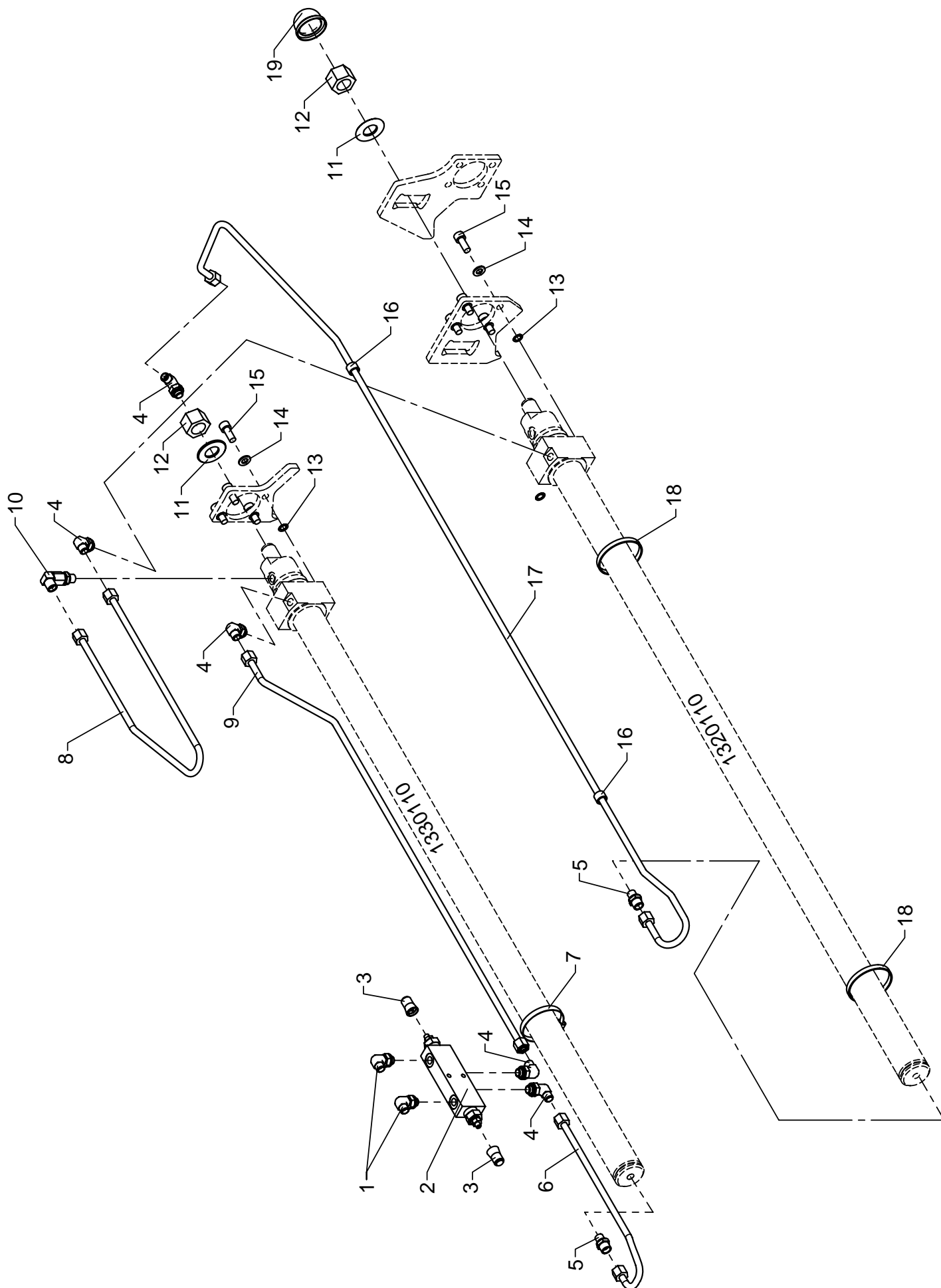
Created: 03.02.2005

Modified:

Item no.	Qty.	Part no.	Description	Remarks
1	1	58481	Doubel valve	
2	2	1330186	Pipe	
3	2	32302	Face washer, stainless	6 mm
4	2	30115	Steel bolt, stainless	M6 x 30
5	6	26898	Elbow connection	
6	2	60960	Washer	
7	2	25109	Connection	GES 8 LR-WD
8	2	59048	Rubber cover	
9	1	62498	Hose	1/4" x 370 M14 x 1,5 L/L
10	1	56321	Hose	1/4" x 300 M14 x 1,5 L/L

2.5/18

Intern ref.: 1330210



Fittings, ext. cyl., K1, K2

As from / To loader no.:67 00 01/

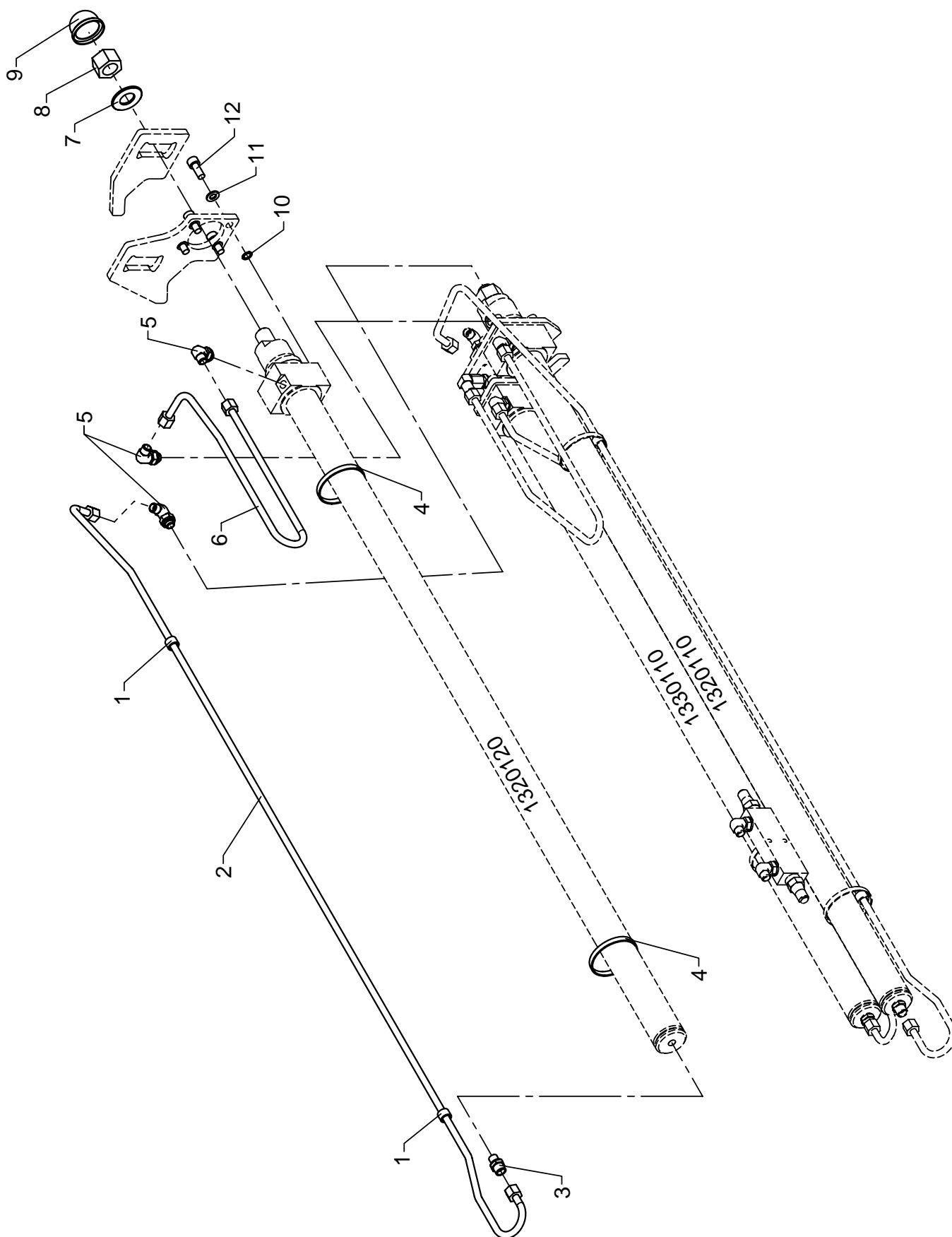
Created: 01.09.2005

Modified:

Item no.	Qty.	Part no.	Description	Remarks
1	2	26898	Elbow connection	
2	1	58482	Doubel valve	
3	2	59048	Rubber cover	
4	5	26896	Elbow connection	
5	3	25121	Connection	GEV 10 LR-WD
6	1	1330195	Pipe	
7	1	31500	Clip	
8	1	1320259	Pipe, K2 retract	
9	1	1330196	Pipe	
10	1	25120	Elbow connection	P-EWV 10 L-SV
11	2	1320171	Washer	
12	2	31051	Lock nut	M24 x 2
13	8	31765	Washer	PS 10 x 16 x 0,2
14	8	31565	Washer, stainless	10 mm
15	8	30453	Screw	MC10 x 25
16	2	62493	Plastic hose	12 mm
17	1	1330198	Pipe	
18	2	27275	Clip	
19	1	64380	Cover for nut	

2.5/18

Intern ref.: 1330220



Fittings, ext. cyl. K3

As from / To loader no.:67 00 01/

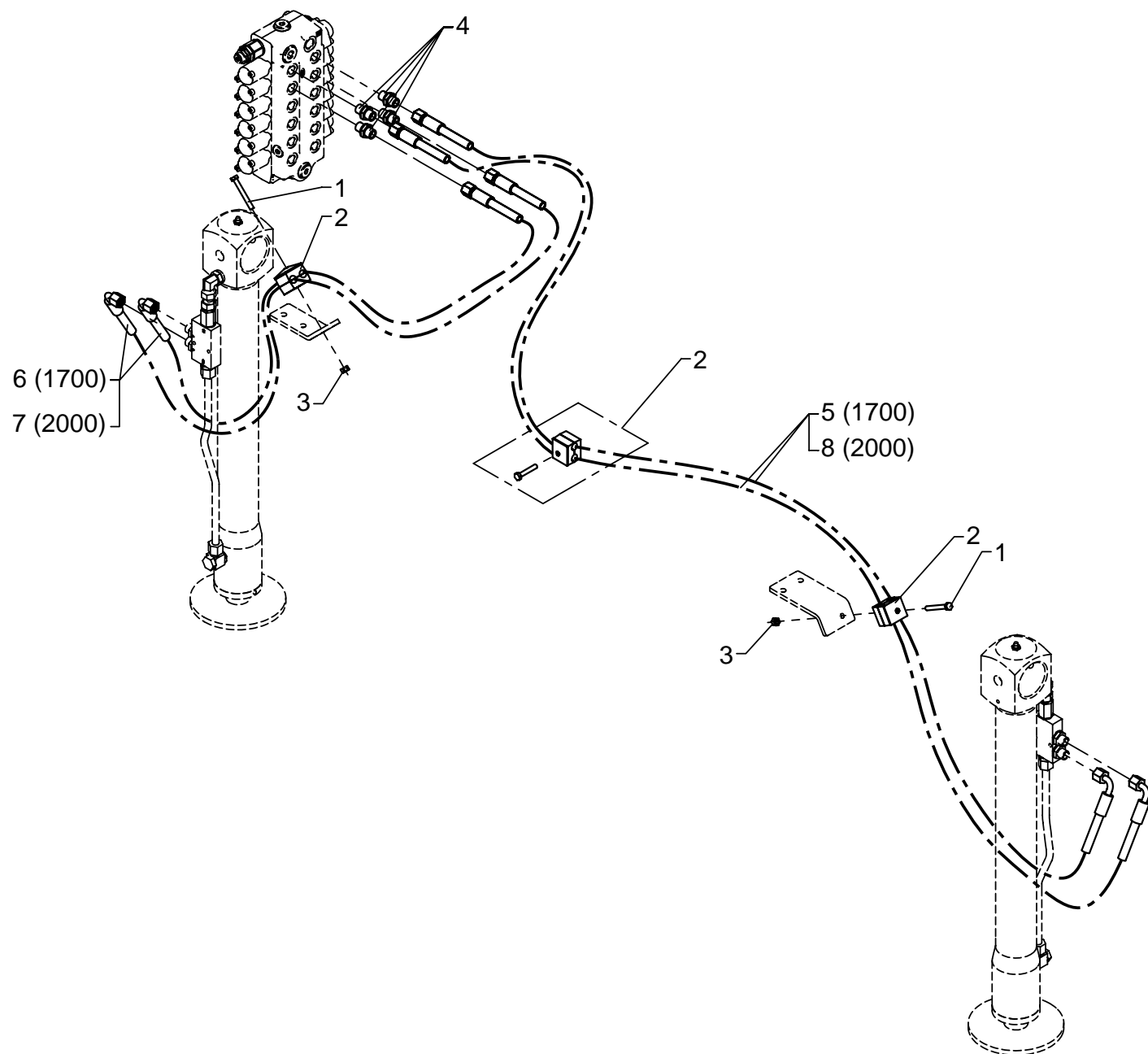
Created: 01.09.2005

Modified:

Item no.	Qty.	Part no.	Description	Remarks
1	2	62493	Plastic hose	12 mm
2	1	1330201	Pipe	
3	1	25121	Connection	GEV 10 LR-WD
4	2	27275	Clip	
5	3	26896	Elbow connection	
6	1	1330199	Pipe	
7	1	1320171	Washer	
8	1	31051	Lock nut	M24 x 2
9	1	64380	Cover for nut	
10	4	31765	Washer	PS 10 x 16 x 0,2
11	4	31565	Washer, stainless	10 mm
12	4	30453	Screw	MC10 x 25

2.5/18

Intern ref.: 1330260



Hydraulic system, stabilizers

As from / To loader no.:67 00 01 /

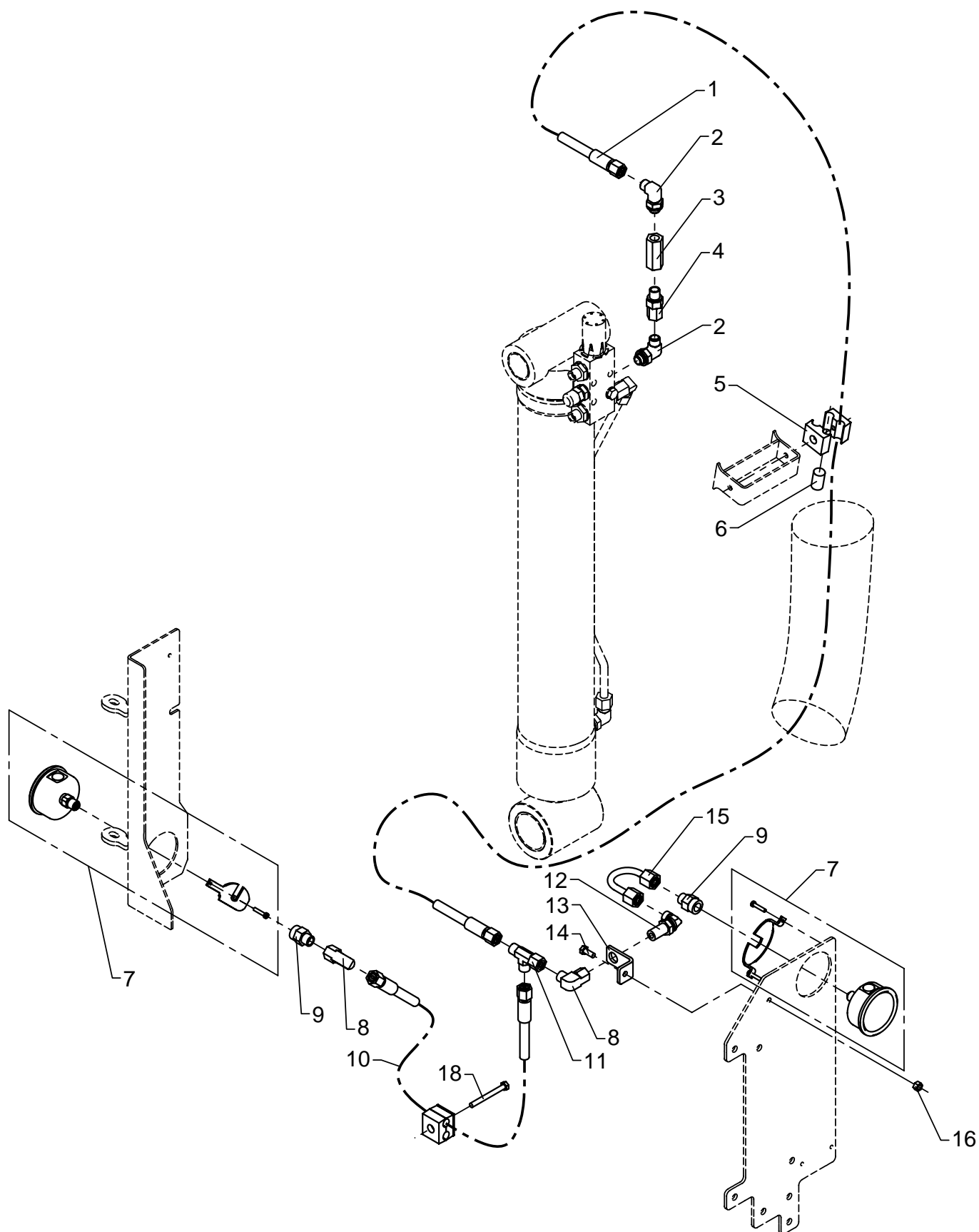
Created: 01.08.2005

Modified: 13.10.2005

Item no.	Qty.	Part no.	Description	Remarks
1	2	30119	Steel bolt, stainless	M6 x 50
2	3	31418	Clamp, double	2 x 12 mm
3	2	30884	Lock nut, stainless	M6
4	4	25109	Connection	GES 8 LR-WD
5	2	62485	Hose	1/4 x 2450 L/90
6	2	62496	Hose	1/4 x 1600 L/90
7	2	56411	Hose	1/4 x 1900 L/90
8	2	56283	Hose	1/4 x 2800 L/90

2.5/18

Intern ref.: 1330340



Load indicator

As from / To loader no.:67 00 01 /

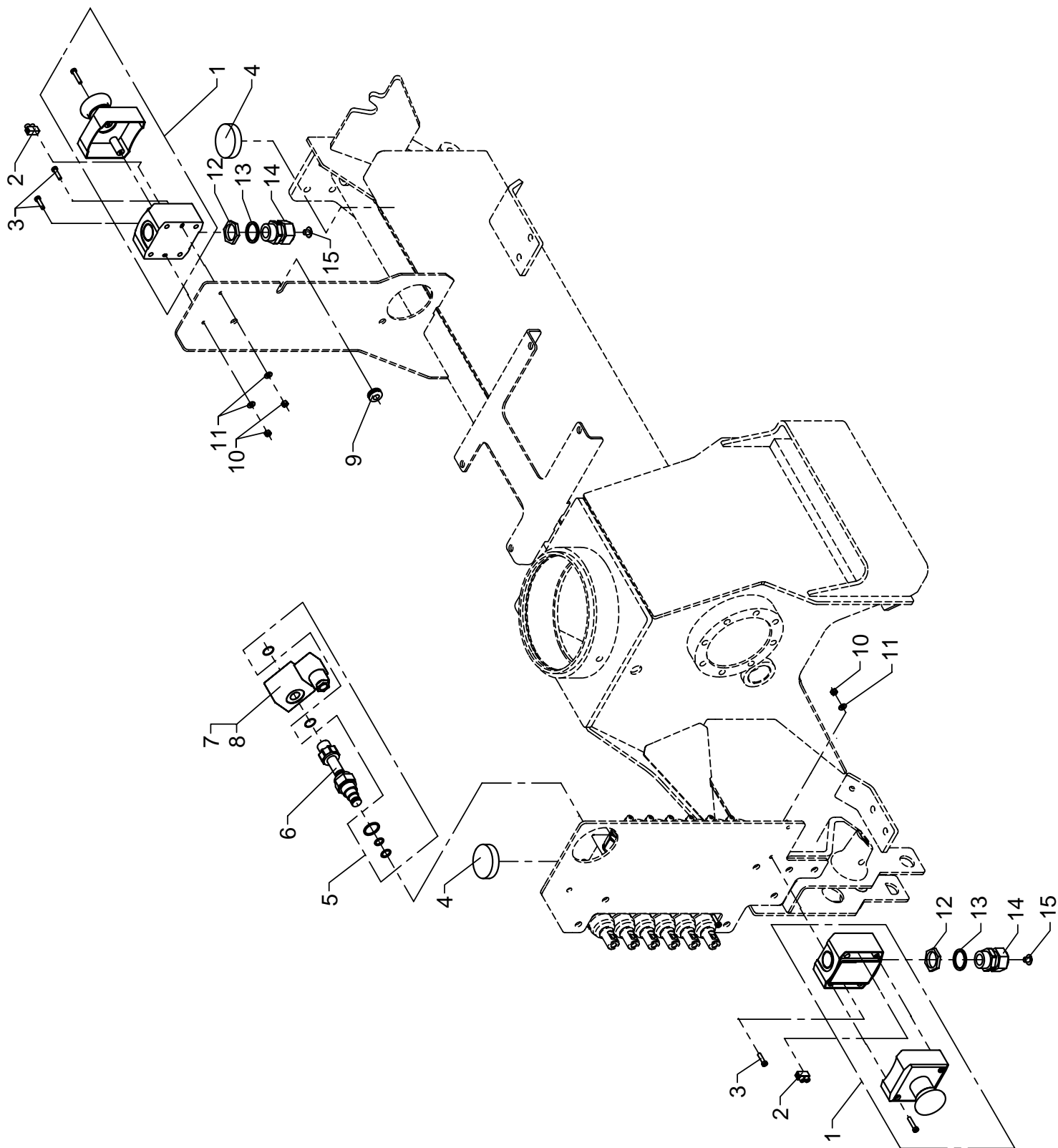
Created: 01.08.2005

Modified:

Item no.	Qty.	Part no.	Description	Remarks
1	1	62553	Hose	1/4 X 2000 L/L
2	2	26898	Elbow connection	
3	1	1330211	Housing + hose failure valve	
4	1	26104	Connection	EGESD 8 LR-WD
5	1	31846	Clamp	
6	1	1282544	Rubber plug	
7	2	60931	Pressure gauge	
8	2	26170	Elbow connection	EWSD 8 L
9	2	26106	Connection	P-MAV 8 LR
10	1	62619	Hose	1/4 X 1500 L/L
11	1	25249	Connection	ELVD 8 L
12	1	26864	Connection	ETXS 8 JIC
13	1	1330191	Fittings	
14	1	30112	Set screw, stainless	M6 x 16
15	1	1330204	Pipe	
16	1	30884	Lock nut, stainless	M6
17	1	31418	Clamp, double	2 x 12 mm
18	1	30120	Steel bolt, stainless	M6 x 60

2.5/18

Intern ref.: 1330350



Emergency stop kit

As from / To loader no.:67 00 01 /

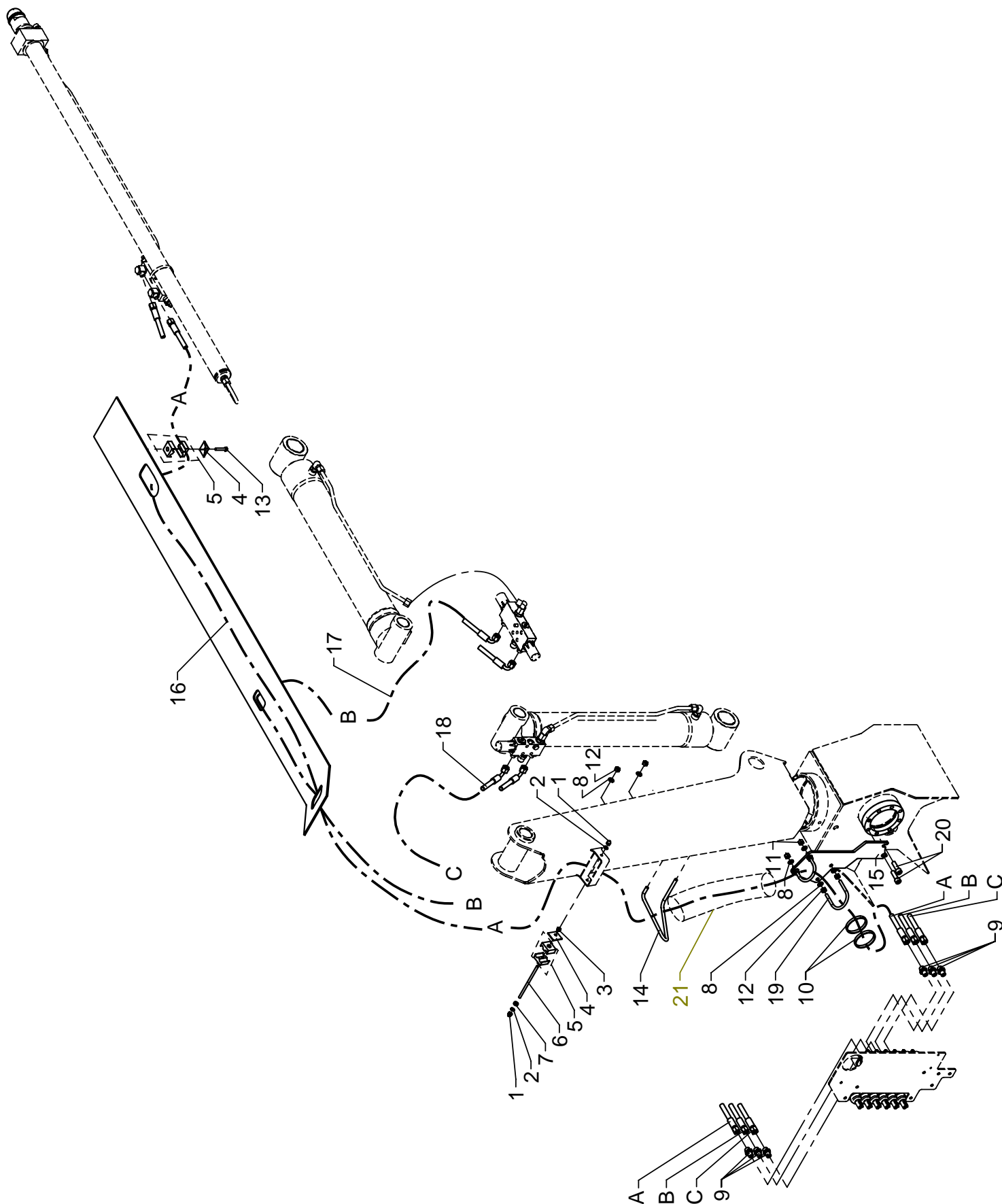
Created: 01.06.2005

Modified:

Item no.	Qty.	Part no.	Description	Remarks
1	2	28992	Emergency stop box	
2	2	27281	Terminal block	
3	4	30794	Screw	M4 x 16
4	2	59643	Bubble level	
5	1	61779	Seal kit	
6	1	59020	Magnetic cartridge	
7	1	61777	Solenoid	12V
8	1	61778	Solenoid	
9	1	27996	Lead-in	
10	4	30857	Lock nut	M4
11	4	31188	Washer, stainless	4 mm
12	2	28080	Nut	M12
13	2	28403	Sealing ring	
14	2	28123	Connection	PG 16
15	2	64507	Plastic plug	

2.5/18

Intern ref.:1330250 + 1330300



Hydraulic system, boom, jib and extension cylinders C=6 o'clock

As from / To loader no.:67 00 01 /

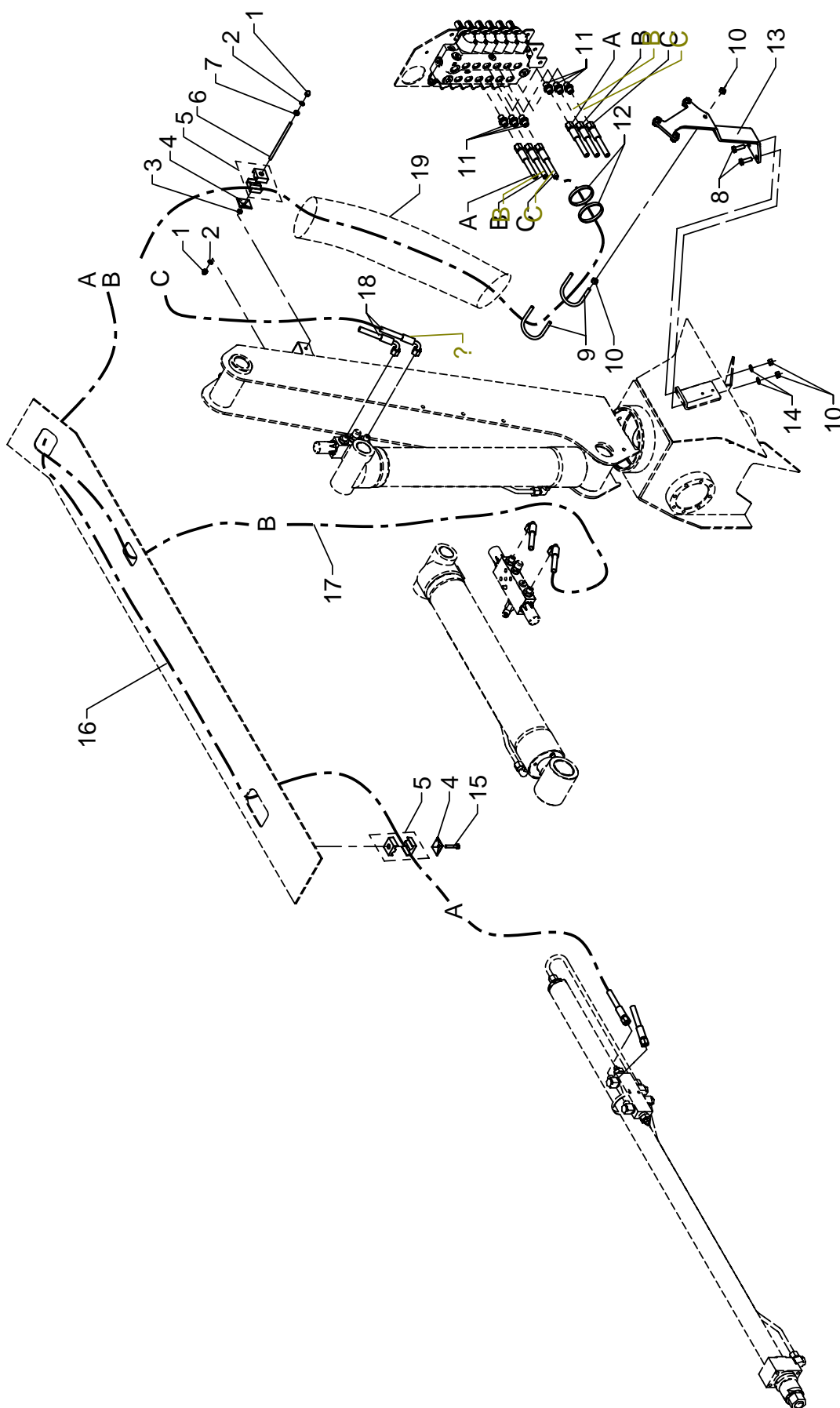
Created: 01.08.2005

Modified:

Item no.	Qty.	Part no.	Description	Remarks
1	2	64289	Nut	M6
2	2	32302	Face washer, stainless	6 mm
3	1	30854	Nut, stainless	M6
4	4	31847	Cover	
5	4	31846	Clamp	
6	1	1320229	Spacer	
7	2	27274	Clip	
8	10	31147	Washer, stainless	8 mm
9	6	25109	Connection	GES 8 LR-WD
10	2	27275	Clip	
11	4	30886	Lock nut, stainless	M8
12	6	30856	Nut, stainless	
13	1	30116	Steel bolt, stainless	M6 x 35
14	1	1320285	Clamp	
15	1	1320358	Hose bracket C=3, 6, 9 o'clock	
16	2	56284	Hose	1/4 x 4230 L/L
17	2	56283	Hose	1/4 x 2800 L/90
18	2	56282	Hose	1/4 x 2300 L/90
19	2	31419	Clamp	
20	2	30497	Sockethead screw	MC10 x 35
21	1	62598	Protective cover	

2.5/18

Intern ref.: 1330250 + 1330320



Hydraulic system, boom, jib and extension cylinders C=12 o'clock

As from / To loader no.:67 00 01 /

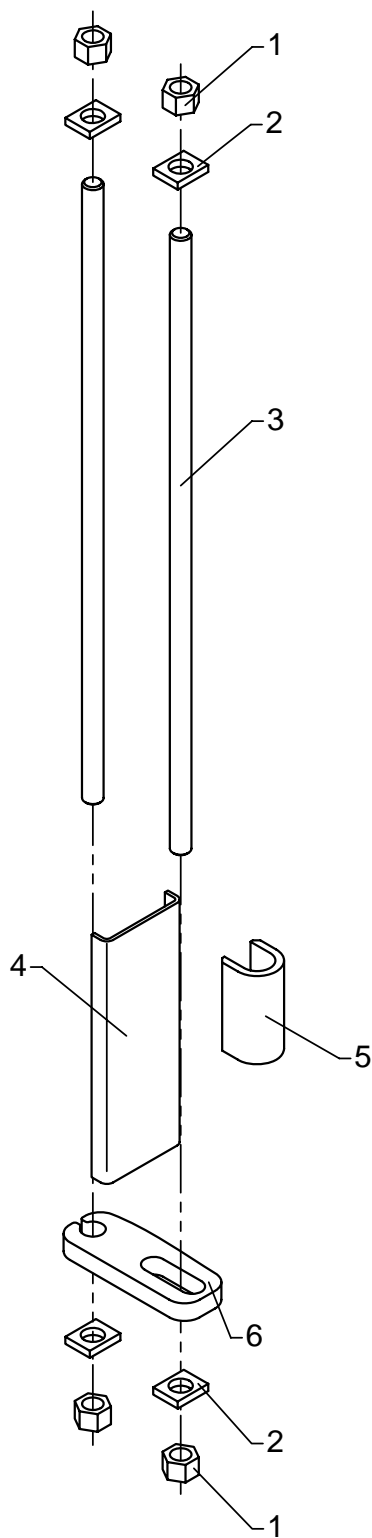
Created: 01.08.2005

Modified:

Item no.	Qty.	Part no.	Description	Remarks
1	2	64289	Nut	M6
2	2	32302	Face washer, stainless	6 mm
3	1	30854	Nut, stainless	M6
4	4	31847	Cover	
5	4	31846	Clamp	
6	1	1320229	Spacer	
7	2	27274	Clip	
8	2	30134	Set screw, stainless	M8 x 25
9	2	31419	Clamp	
10	10	30856	Nut, stainless	
11	6	25109	Connection	GES 8 LR-WD
12	2	27275	Clip	
13	1	1330166	Hose bracket	
14	2	31147	Washer, stainless	8 mm
15	1	30116	Steel bolt, stainless	M6 x 35
16	2	56284	Hose	1/4 x 4230 L/L
17	2	56283	Hose	1/4 x 2800 L/90
18	2	56282	Hose	1/4 x 2300 L/90
19	1	62598	Protective cover	

2.5/18

Intern ref.: 1320380



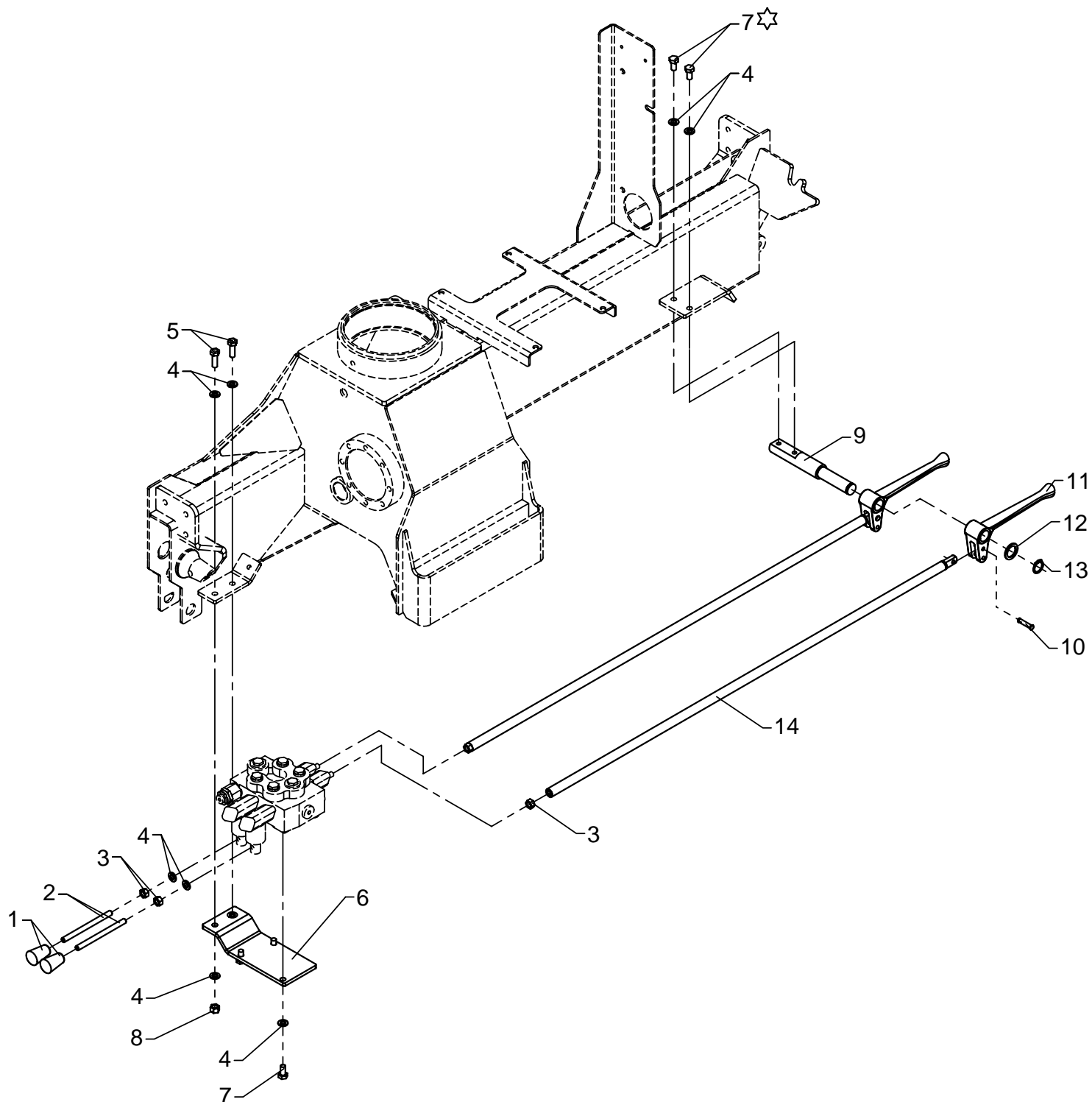
Mounting fittings

As from / To loader no.: 67 00 01/
Created: 03.02.2005
Modified:

Item no.	Qty.	Part no.	Description	Remarks
1	12	30894	Lock nut	M20
2	12	66110	Washer	1916234
3	6	66044	Pin	M20 x 700
4	3	1234544	U-section	
5	3	6659914	U-section	
6	3	1234534	Clamp	

2.5/18

Intern ref.: 1320780



Valve bracket + dual ctrl stab

As from / To loader no.:67 00 01 /

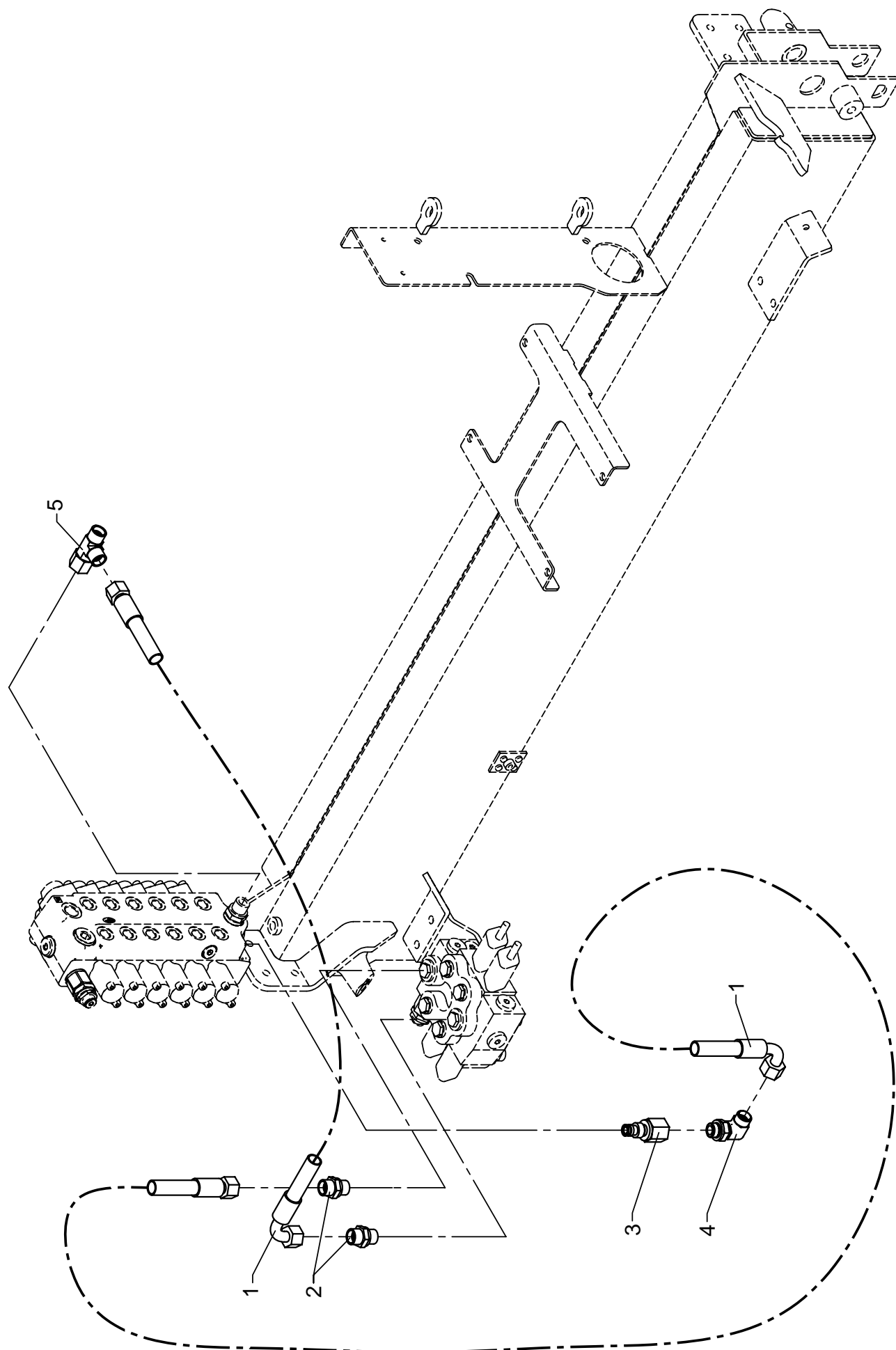
Created: 01.08.2005

Modified: 15.05.2006

Item no.	Qty.	Part no.	Description	Remarks
1	2	59224	Knob for lever	
2	2	1330187	Control lever, long, straight	
3	4	30856	Nut, stainless	
4	11	31147	Washer, stainless	8 mm
5	2	30134	Set screw, stainless	M8 x 25
6	1	1330207	Valve bracket, 2 sections	
7	5	30131	Set screw, stainless	M8 x 16
8	2	30886	Lock nut, stainless	M8
9	1	1330235	Pin	
10	2	63468	Split pin with spring lock	
11	2	63445	Lever for dual controls	
12	1	33227	Back ring	SS 20 x 28 x 2
13	1	33107	Circlip	19U
14	2	1320367	Connecting rod	

2.5/18

Intern ref.: 1320790



Series connection

As from / To loader no.:67 00 01 /

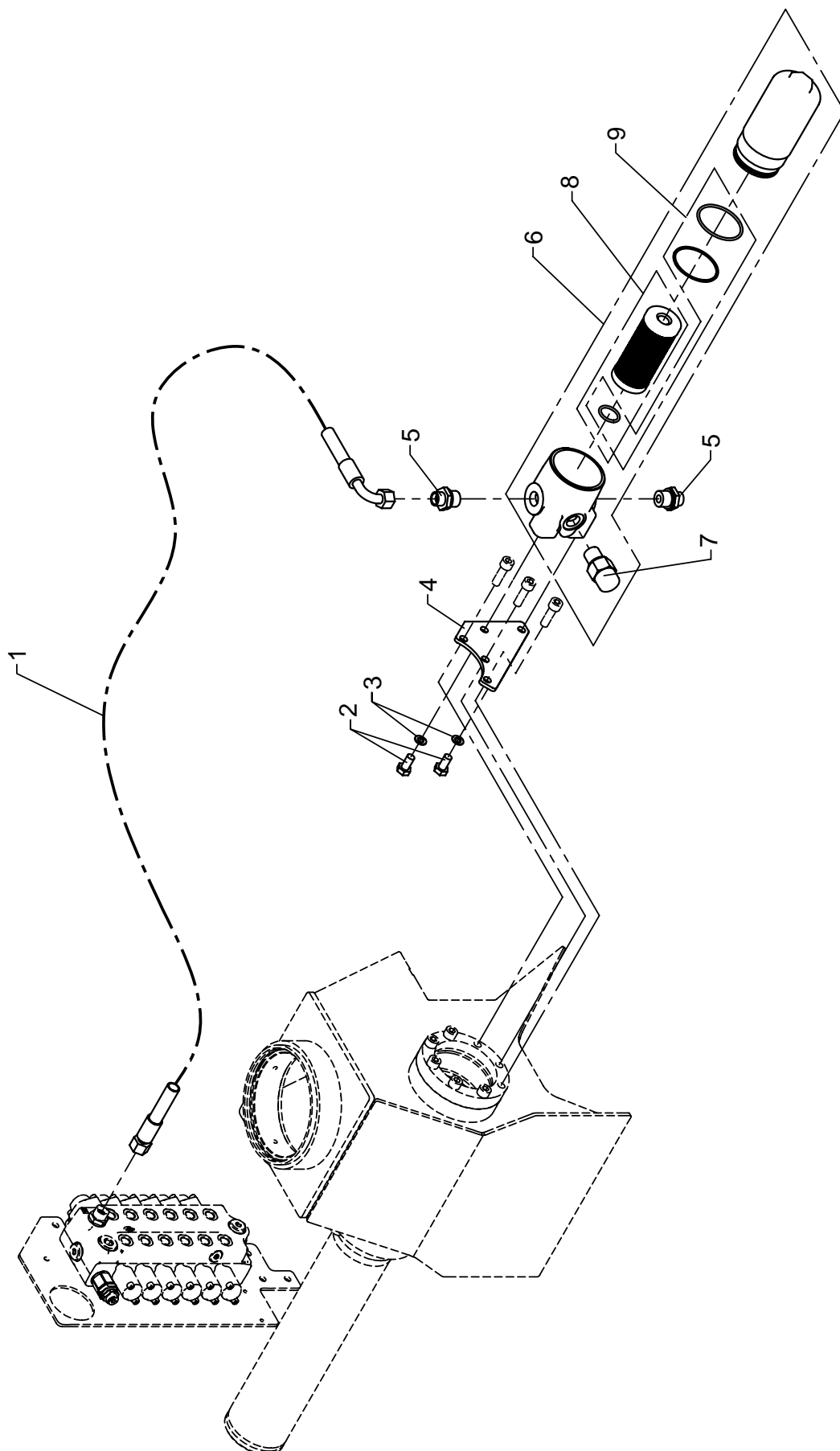
Created: 01.08.2005

Modified:

Item no.	Qty.	Part no.	Description	Remarks
1	2	0017710	Hose 3/8" x 350 mm v/o	3/8 x 350 v/o
2	3	25127	Connection	GES 12 LR-WD
3	1	55230	Series nipple	
4	1	26897	Elbow connection	
5	1	25270	Connection	ELSD 12 L

2.5/18

Intern ref.: 1320820



High pressure filter

As from / To loader no.:67 00 01 /

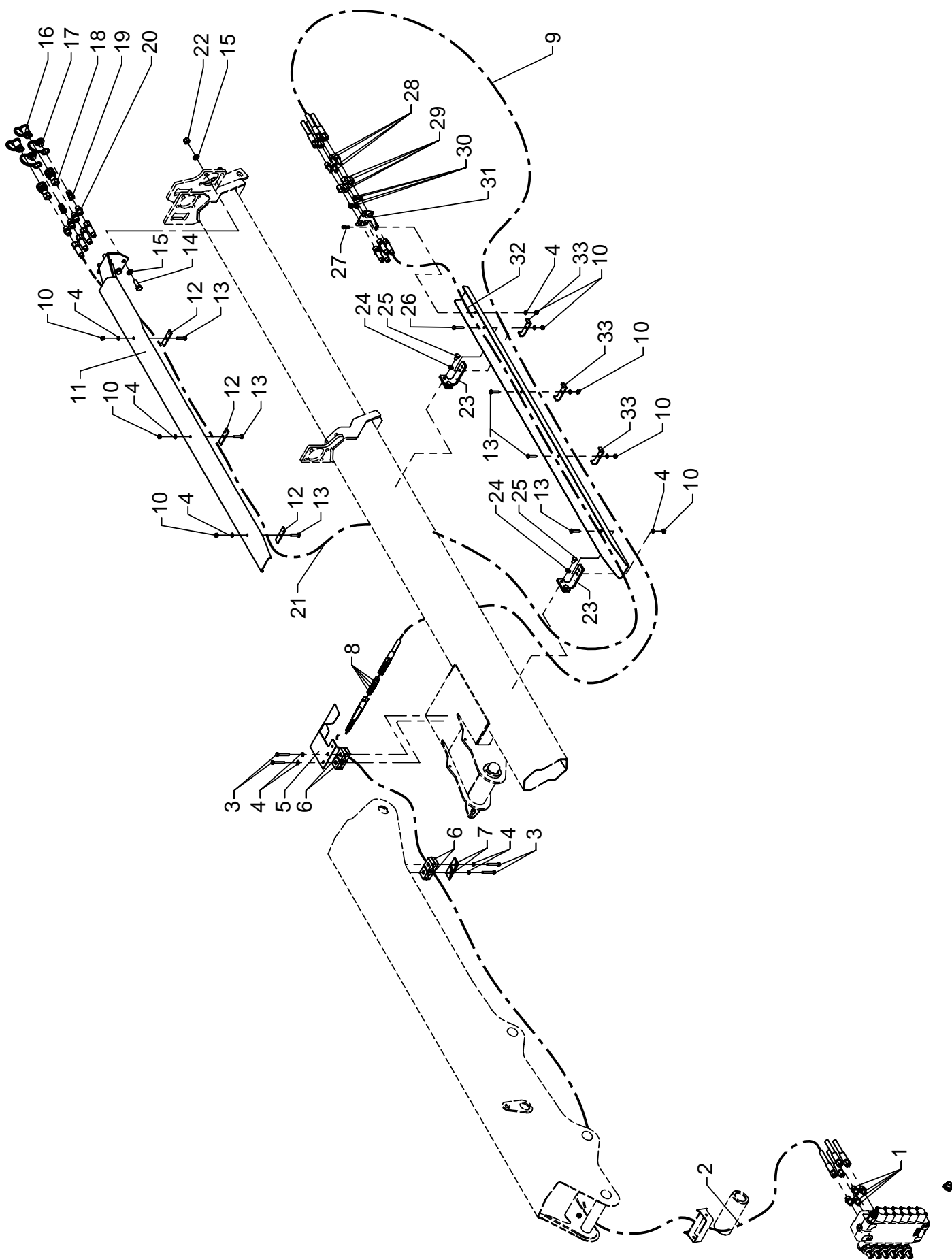
Created: 01.06.2005

Modified:

Item no.	Qty.	Part no.	Description	Remarks
1	1	0015280	Hose	3/8 x 950 v/o
2	2	31517	Set screw, stainless	M10 x 20
3	2	31147	Washer, stainless	8 mm
4	1	1320371	Bracket, high pressure filter	
5	2	25108	Connection	GES 12 L/R 1/2-WD
6	1	58405	High pressure filter	
7		58406	Indicator	
8		58407	Filter cartridge	
9		58408	Seal kit	

2.5/18

Intern ref.: 1330420



Kit for extra valves

As from / To loader no.:67 00 01 /

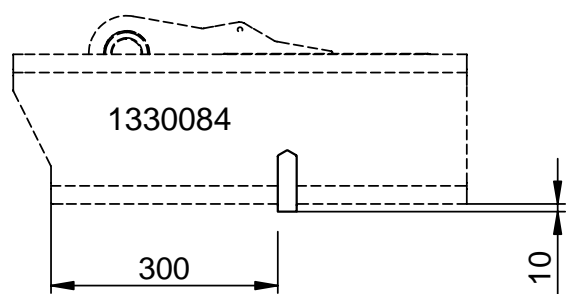
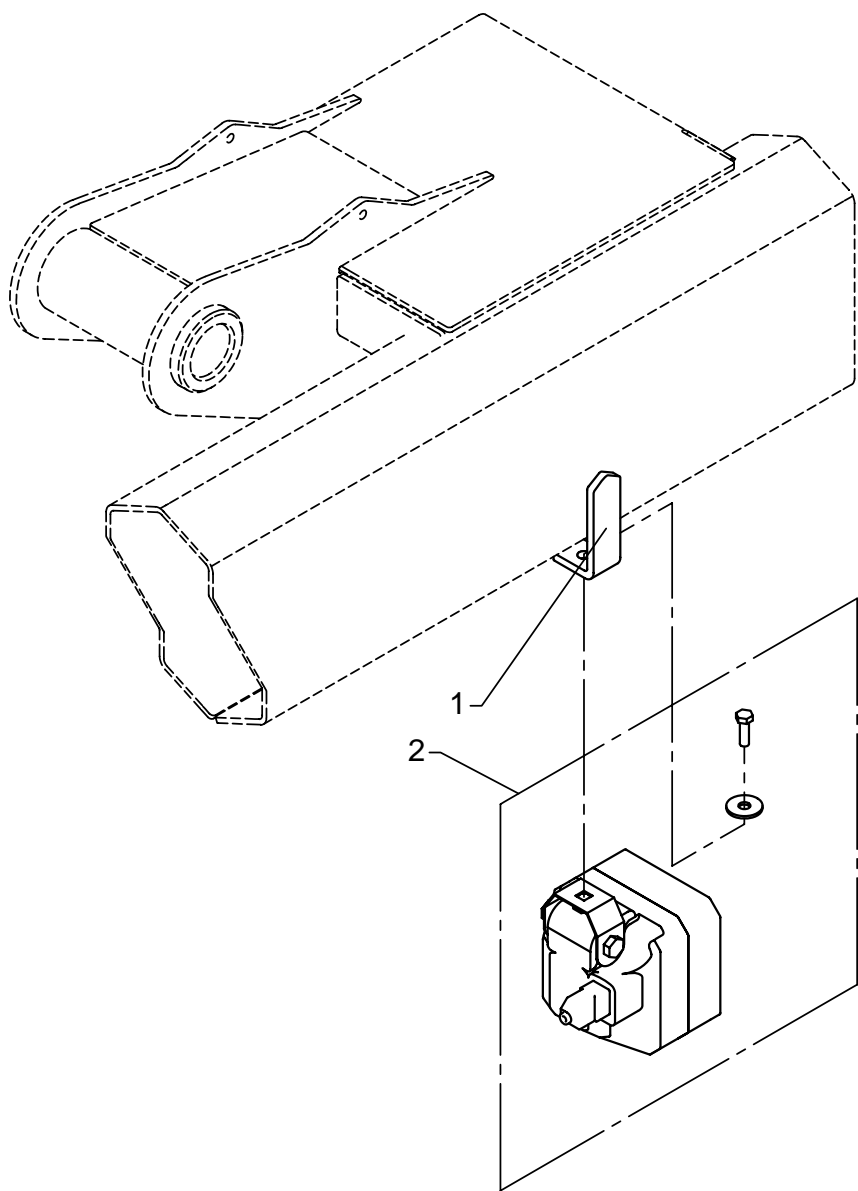
Created: 01.08.2005

Modified: 18.01.2006

Item no.	Qty.	Part no.	Description	Remarks
1	4	25109	Connection	GES 8 LR-WD
2	4	56284	Hose	1/4 x 4230 L/L
3	4	30118	Steel bolt, stainless	M6 x 45
4	12	32302	Face washer, stainless	6 mm
5	1	1320302	Shield	
6	4	31846	Clamp	
7	2	31847	Cover	
8	4	25246	Double connection	GV 8 L
9	4	62619	Hose	1/4 x 1500 L/L
10	8	30884	Lock nut, stainless	M6
11	1	1330241	Hose guide, upper	
12	3	1320301	Clamp	
13	6	30115	Steel bolt, stainless	M6 x 30
14	4	30156	Set screw, stainless	M10 x 30
15	8	31565	Washer, stainless	10 mm
16	2	60699	Dust cap. F.	1/4"
17	2	60698	Dust cap. M.	1/4"
18	2	60696	Quick-release coupling F	1/4"
19	2	60697	Quick-release coupling M	1/4"
20	4	25121	Connection	GEV 10 LR-WD
21	2	56278	Double hose	1/4 x 3000 S/O
22	4	30888	Lock nut	M10
23	2	1320296	Fitting, jib	
24	4	31147	Washer, stainless	8 mm
25	4	30130	Set screw, stainless	M8 x 12
26	1	30116	Steel bolt, stainless	M6 x 35
27	1	30113	Set screw, stainless	M6 x 20
28	4	25272	Reducing connection	REDV 10/8 L
29	4	25182	Coupling nut	M10 L
30	4	26116	Profile ring	R 10 L/S
31	1	24116	Fitting	
32	1	1330243	Hose guide, lower	
33	3	1320299	Clamp	

2.5/18

Intern ref.: 1330430



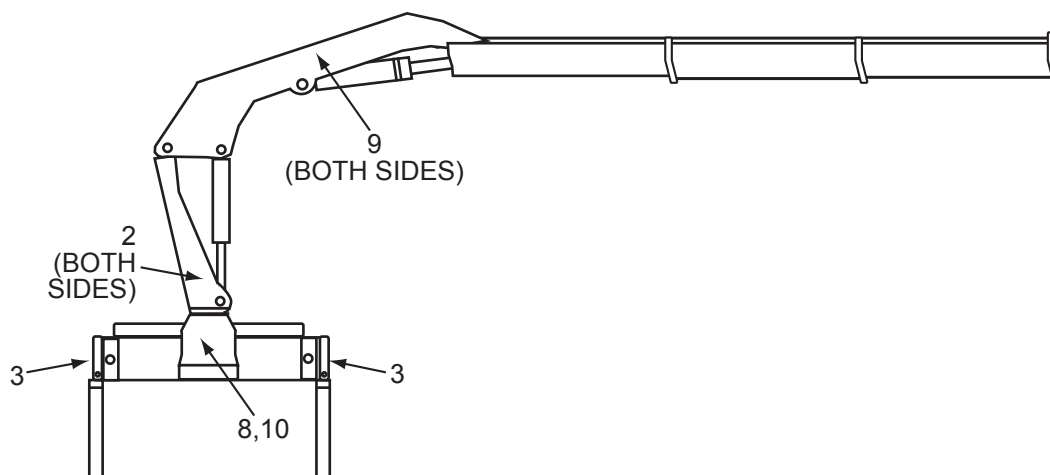
Spotlight

As from / To loader no.: 67 00 01/
Created: 29.09.2005
Modified:

Item no.	Qty.	Part no.	Description	Remarks
1	1	1330093	Fittings	
2	1	27138	Working lamp	

2.5/18

DECAL KIT 95720763 (DRAWING 99904152)



ITEM	PART #	DESCRIPTION	QTY	NOTES	PLACEMENT, IF NOT SHOWN
1.	70029119	PLACARD, SERIAL NUMBER	1		
2.	70396919	DECAL, DANGER ARTICULATED SMALL	2	PART OF 95720380	
3.	70392864	DECAL, DANGER O/R STAND CLEAR	2	PART OF 95720380	
4.	70392865	DECAL, DANGER ELEC HAZARD	4	PART OF 95720380	ON ALL 4 SIDES OF VEHICLE
5.	70392868	DECAL, DANGER CRANE LOADLINE	4	PART OF 95720380	ON ALL 4 SIDES OF VEHICLE
6.	70392891	DECAL, DANGER DRIVELINE	2	PART OF 95720380	AT OR NEAR DRIVELINE
7.	70394189	DECAL, MOBIL OIL RESERVOIR	1	PART OF 95720380	ON OIL RESERVOIR
8.	70391583	DECAL, DANGER STOW/UNFOLD	2	PART OF 95720380	
9.	70397038	DECAL-IDENTIFICATION 2.5/18	2		
10.	70397059	DECAL, GREASE 2.5/18 & 3.2/23	1		

REV. A 20080505