



B53 BLUELIFT

The BLUELIFT Series

Meet our new line of aerial lifts from the well-renowned Italian manufacturer Bluelift s.r.l., now exclusively distributed in the US, Canada and Mexico by ReachMaster, Inc. Innovation, quality, superior design and above all safety are trademarks of Bluelift s.r.l.. With working heights from 39 to 72 feet, in and outdoor use and access through a single or double door, We now offer the BlueLifts with lithium batteries and combustion motor combined. This combination is a first on the market for this size of compact lifts! The BlueLift series appeals to a broad range of applications: Rental industry (residential as well as commercial), window cleaners, building maintenance, tree care industry and HVAC operators to mention a few.

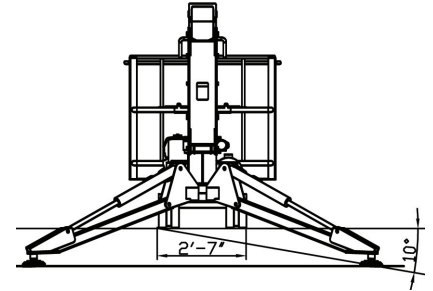
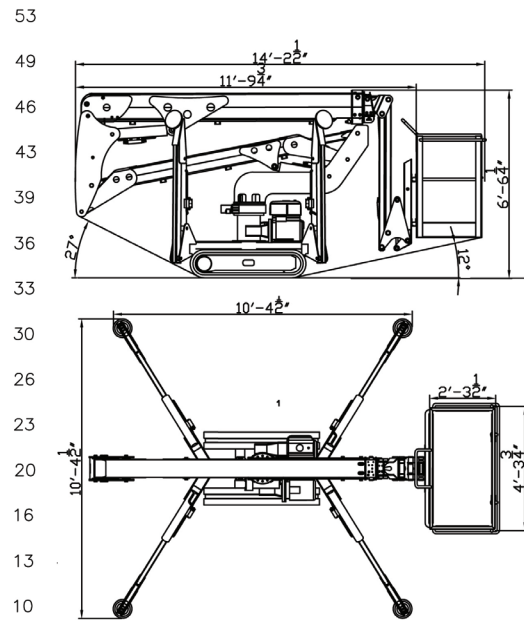
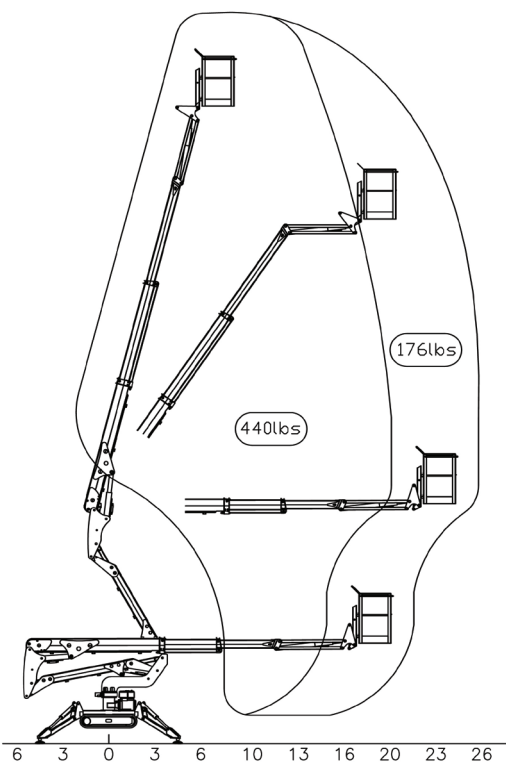
- Available in 4 models from 39ft - 72ft
- Now Available: Lithium battery and motor
- Pass through a single or double door opening
- Automatic outrigger setting
- Remote and wireless control
- 110V to the basket
- Set up on uneven surfaces
- Detachable basket

Model

B53

Working height	53ft
Basket height	47ft
Max outreach	27ft (176lbs)
Basket load	440lbs
Basket dims	4ft3 ³ / ₄ in x 2ft3 ¹ / ₂ in
Basket rotation	+/-90°
Turret rotation	360°
Height	6ft6 ¹ / ₂ in
Length (w/o basket)	11ft9 ³ / ₄ in
Length (w/ basket)	14ft2 ¹ / ₂ in
Width (w/o basket)	2ft7in
Footprint	10ft4 ¹ / ₂ in
Weight (approx)	4,730lbs
Max pressure, tracks	8.3psi
Max pressure, footplate	65.4psi
Track size (per track)	44in x 6 ¹ / ₂ in
Foot pad size (per pad)	48 ¹ / ₂ sq in
110V drive motor	Standard
Honda, iGX440	Standard
Hatz diesel engine	Option
Lithium battery	Option

We reserve the right to alterations



B53 BLUELIFT

Standard Equipment

- Automatic stability & outreach control
- 180° (+/-90°) basket rotation
- Computer controlled (can-bus)
- Non marking tracks
- Air/water to the basket
- Self propelled
- 110V drive motor
- Honda iGX440 15HP engine
- 360° non cont. turret rotation
- Manual pump for emergency lowering
- Width of only 2ft7in
- 2 person basket
- Air/water to the basket
- 110V to the basket
- Remote Control
- FMS (Function Memory System)
- Automatic turret center stop

Optional Equipment

- Adjustable tracks
- Lithium battery
- Hatz diesel engine
- Lombardi diesel engine
- Radio control

Additional Specifications

Boom angle	0°/ +75°
Oil tank capacity	8gal
Max windspeed	28mph
Operating speed	0.9mph
Travel speed	0.9mph
Drive gradability	15°/28%
Set-up gradability	10°/18%

