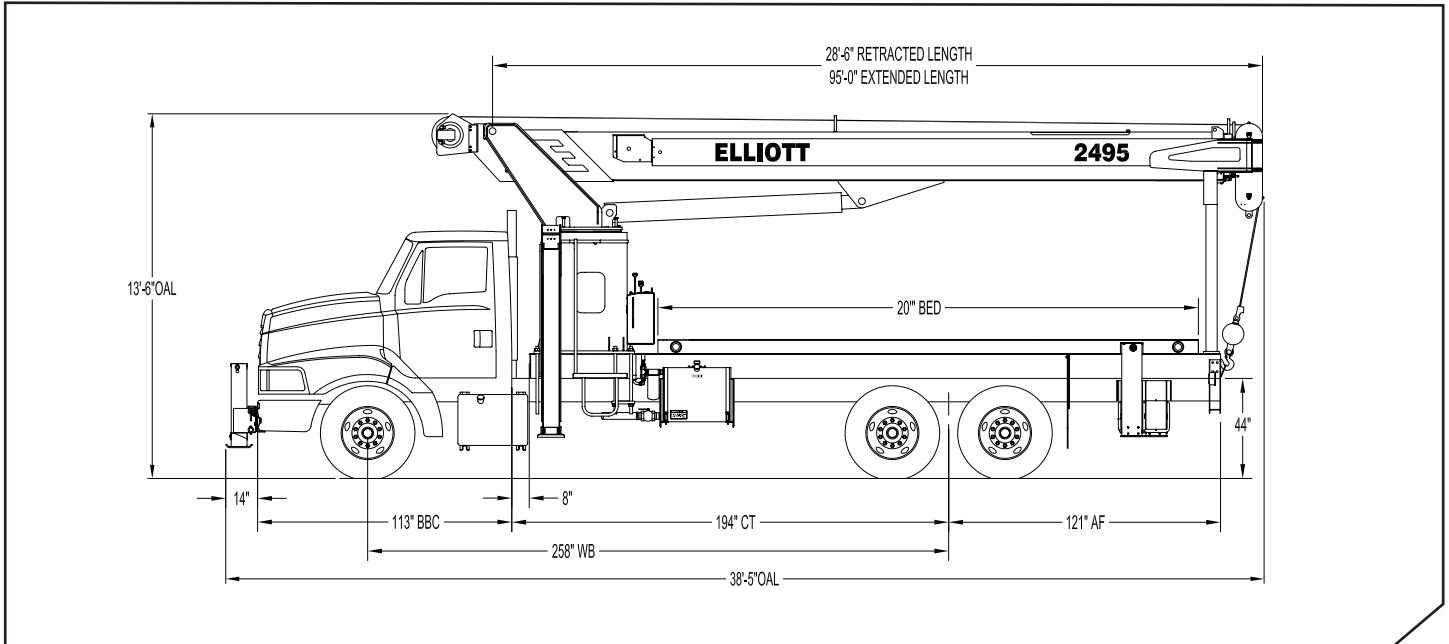


# BoomTruck™ 2495



## GENERAL UNIT DESCRIPTION

**BoomTruck** – When it comes to design and engineering, Elliott’s BoomTruck is generations apart from the traditional crane – making it ideal for the demands of today’s job sites. With a 24-ton capacity and boom length of 95’, the Elliott 2495F delivers high performance with increased efficiency – from its high speed winch and friction-free jib extension to its optional Superlink outriggers which allow for reduced span operation in a restricted area. Plus, our BoomTruck requires very little maintenance and offers the industry’s best warranty. These combined features improve efficiency, safety, control, and performance – to save you time and money.

Basic unit includes base assembly supporting front mounted rotating turret, hydraulically powered rotation mechanism, oil reservoir, oil, and dual operator console with levers linked to manual hydraulic control valve mounted to pedestal. Base mounted “A” frame link type outriggers hydraulically powered, individually controlled main outriggers. Underframe mounted rear stabilizers for rear stabilization. High strength steel three-section hydraulic and cable telescoping boom. Load Moment Indicator system with display and hydraulic function lockout for load capacities. Power take off and pump drive, pressure gauge, three-section gear pump, and holding valves on all cylinders. Control console is equipped with anti-two-block system, engine start/stop switch, variable speed foot throttle, burst of speed winch, and outrigger motion alarm. Additional equipment includes triangle reflector kit, backup alarm, and fire extinguisher. Paint BoomTruck white, outriggers, stabilizers, and boom rest red, and bed, reservoir, and subbase black. Installed on chassis, tested and ready to operate. Unit certified to ANSI B30.5 for Mobile and Locomotive cranes.

## Technical Specifications

**Crane Capacity:** 48,000 pounds at five feet load radius.

**Maximum Tip Height:** 107' height (152' with optional 45' jib)

**Control Console:** Dual operator control stations equipped with four single axis control levers for the main crane controls with independent controls for all outriggers for precise leveling. The levers for the outriggers and stabilizers are offset and shorter than the main crane control levers for added safety. Each side includes a bubble level gauge, engine start/stop switch, signal horn button, variable speed foot throttle, lifting capacity chart, range diagram chart, boom angle indicator, 12V DC power source, and cup holder. A system pressure gauge is located on the driver side console.

**Boom:** Four-section fully proportional, high strength steel plated rectangular tube sections. A maximum boom tip height of 107 feet mounted on a truck. The boom nose contains one floating upper sheave and three lower sheaves. Assembly includes heavy-duty cylinder fittings, pivot pins, and replaceable wear pads.

**Winch:** Mounted at the base of the boom for a long fleet angle and flat level spooling of cable. Winch is driven by a planetary reducer and powered by a hydraulic motor. Burst-of-speed winch provides increased line speed. The winch brake is a spring applied, pressure release design. Supplied with 425' of 9/16" diameter rotation resistant wire rope with a single line pull of 9,060 pounds, and a downhaul ball with hook for single part line.

**Load Moment Indicator System:** LMI system senses hoist cylinder pressures, boom length and boom angle with hydraulic function lockout. The display console is equipped with an integrated bar graph showing crane utilization, boom angle or boom length, mode select controls for main boom and jib operation, and an anti-two block with an audio/visual warning and shut-off functions to limit hook-boom point contact.

**Outriggers:** "A" frame link type outriggers for a minimum of 20'10" extended span. Additional stabilization provided by rear out-and-down stabilizers with 18'2" extended span.

**Frame:** Full length, all welded rigid 4-plate design sub-frame for 20' bed that bolts to the truck frame under the pedestal.

**Turret:** Turret is one-piece weldment. Turret rotates on large diameter ball bearing.

**Rotation:** Hydraulic motor drives turret through double reduction planetary swing drive for 372-degree non-continuous rotation. The swing drive system has a spring applied, pressure release brake.

**Boom Extension:** Incorporates a 2-stage hydraulic extension cylinder, attached to the largest boom sections, with a proportional cable extension system driving the outermost sections.

**Lift:** One double-acting full displacement, long stroke cylinder provides smooth and stable boom elevation. Holding valve prevents boom from lowering in event of hose failure.

**Cylinders:** All cylinders use microhoned cylinder tubing, chrome shafts, top grade packing and protective rod wipers. Cylinder-mounted holding valves provided on all load-holding cylinders.

**Hoses:** All high-pressure hose is wire braid reinforced with a minimum safety factor of 4 to 1.

**Oil Tank Capacity:** 120 gallon mounted to truck frame on roadside.

**Hydraulic System:** Equipped with cable-shift PTO, gear pump, SAE O-ring face seals on pressure lines, a 10-micron return line filter, and shut-off valve on suction line. The control valve distributes all flow to the hoist system, swing circuit, and other crane functions. System is parallel open center type.

**Cab Equipment:** PTO cable and switch with indicator light installed in truck cab. U/L approved 5:BC dry chemical fire extinguisher installed in truck cab.

**Operator Manual:** One hard copy and one CD copy of operation, maintenance, safety and parts manual provided with each unit.

**Installation:** Unit installed on truck, painted, system and tank filled with oil, tested, inspected, certified and ready to operate.

**Standard Paint:** Crane frame, boom, and above bed Elliott white. Main outriggers, rear stabilizers, operator platform, and boom rest red. Crane subbase, bed, and reservoir to be black.

**Bumper:** Bureau of Motor Carrier Safety rear bumper.

**Weight:** Approximately 24,700 lbs. without bed, less truck.

**Truck Chassis Requirements:** Approximately 192" C.T., 120" A.F., 18,000 lb. front axle, 34,000 lb. rear axle, and 52,000 lb. GVWR required. 15.9" cubed section modulus @ 110,000 psi (1,749,000 RBM). Trucks must have extended rear frame, increased cooling, heavy duty front and rear springs, 12V electrical system with high capacity alternator, cab clearance stop/tail/backup lights, and I.D. lamps. Additional equipment to consider: front tow hook, pintle hook, mud and snow tires for highway use. Recommended GVWR is minimum for BoomTruck with flatbed only. Integral extended front frame rails are required for front bumper stabilizer. Contact factory when additional equipment is to be added.

## Options

45' telescopic jib

26' telescopic jib

Superlink "short jack" for "A" style main outriggers

Radio remote control crane operation

Hook block for 2/3-part line load

Hook block for 4-part line load

Rear mount

Tool boxes

24" steel bulkhead

Front jack for 360-degree crane operation

Steel gravity leveled 2-person platform

Continuous rotation

Oil cooler

Boom mounted hose reel

Miscellaneous options: Contact factory for details



4427 South 76th Circle  
Omaha, NE 68127

Phone: 402-592-4500

Fax: 402-592-4553

Email: [info@elliottequip.com](mailto:info@elliottequip.com)

[www.elliottequip.com](http://www.elliottequip.com)

RANGE DIAGRAM

BOOM MUST BE FULLY RETRACTED WHEN JIB IS ERECTED, BEFORE RAISING OR LOWERING THRU THIS AREA

LOAD RADIUS FROM CENTERLINE OF ROTATION IN FEET

## ELLIOTT

EQUIPMENT COMPANY

# MODEL 2400 95-FT. BOOM

ALLOWABLE LINE PULL

1-PART LINE	2-PART LINE	3-PART LINE	4-PART LINE	5-PART LINE	6-PART LINE	NOTICE
						<ul style="list-style-type: none"> <li>- DO NOT DEAD-END LINE BLOCK AGAINST BOOM TIP WHEN EXTENDING BOOM.</li> <li>- KEEP AT LEAST 5 WRAPS OF LOADLINE ON THE WINCH DRUM AT ALL TIMES.</li> <li>- USE ONLY 3/8" DIAMETER WIRE ROPE, AS SPECIFIED BELOW, WITH THE PROPER BREAKING STRENGTHS LISTED.</li> <li>- ANTI-TWO-BLOCK SYSTEM MUST BE IN GOOD OPERATING CONDITION BEFORE OPERATING CRANE. SEE OPERATION &amp; SAFETY MANUAL.</li> <li>- MAXIMUM CAPACITY WITH "BURST OF SPEED" IS 500 LBS.</li> </ul>
MAX PULL: 9,600 lbs	19,200 lbs	28,800 lbs	38,400 lbs	48,000 lbs	48,000 lbs	
MAX PULL: 9,060 lbs	18,120 lbs	27,180 lbs	36,240 lbs	45,300 lbs	48,000 lbs	9/16" - SPIN RESISTANT (5.1 S.F.) 45,300-lbs BREAKING STRENGTH

DEDUCTIONS FROM RATED LOADS FOR HANDLING DEVICES SUPPLIED BY ELLIOTT EQUIPMENT CO.

OVERHAUL BALL ----- SEE OVERHAUL BALL MFG. NAMEPLATE  
LOAD BLOCK ----- SEE BLOCK MFG. NAMEPLATE

BOOM LOAD RATINGS

LOAD RATINGS IN LBS. WITH OUTRIGGERS FULLY EXTENDED HORIZONTALLY AND VERTICALLY

LOAD RADIUS IN FEET	LOADED BOOM ANGLE	A		B		C		D		E				
		28-FT.	43-FT.	56-FT.	69-FT.	82-FT.	95-FT.							
5	78	48,000												
8	71	37,000	78	28,500										
10	66.5	31,000	75	23,800	78.5	18,600								
12	62	26,500	72.5	20,300	76.5	17,500								
14	57	22,000	69.5	19,400	74.5	16,900	77.5	14,800						
16	51.5	19,000	66.5	17,300	72.5	16,000	76	14,400	78	12,800				
20	39	14,300	60	13,900	68	13,600	72.5	12,500	75	11,300	77.5	9,900		
25	32.5	10,200	51.5	10,900	62.5	10,800	68	10,600	71.5	10,100	74.5	9,100		
30			43	8,650	56.5	8,700	63.5	8,500	68	8,300	71	7,500		
35			30.5	6,950	49.5	7,000	58.5	6,950	64	6,800	68	6,400		
40					42	5,650	53.5	5,650	60	5,700	64.5	5,500		
45					33	4,650	48	4,650	56	4,700	61	4,650		
50						20.5	3,750	41.5	3,750	51.5	3,800	57.5	3,750	
55								34.5	3,050	46.5	3,050	54	3,050	
60								25.5	2,450	41.5	2,450	50	2,450	
65								10	2,050	35.5	2,050	45.5	2,050	
70										28.5	1,550	41	1,550	
75										19	1,250	36	1,250	
80												30	850	
85													23	500
0		6,000	0	3,000	0	1,000	0	500						

JIB LOAD RATINGS

LOAD RATINGS IN LBS WITH OUTRIGGERS AND STABILIZERS EXTENDED

LOAD RADIUS IN FEET	LOADED BOOM ANGLE	26-ft FIXED LENGTH JIB		26'-45' TWO SECTION JIB				
		26-ft JIB	RETRACTED 26' JIB		EXTENDED 45' JIB			
			LOAD RADIUS IN FEET	LOADED BOOM ANGLE	26-ft JIB	LOAD RADIUS IN FEET	LOADED BOOM ANGLE	45-ft JIB
25	77	5,550	25	77	5,300	25	79	3,000
30	74.5	4,750	30	74.5	4,500	30	77	2,800
35	72	4,250	35	72	4,000	35	74.5	2,550
40	69.5	3,750	40	69.5	3,500	40	72.5	2,300
45	66.5	3,150	45	66.5	2,900	45	70.5	2,050
50	64	2,700	50	64	2,450	50	68	1,900
55	61.5	2,150	55	61.5	1,900	55	66	1,650
60	58.5	1,900	60	58.5	1,550	60	63.5	1,400
65	55.5	1,600	65	55.5	1,350	65	61.5	1,100
70	52.5	1,400	70	52.5	1,150	70	59	1,000
75	49.5	1,050	75	49.5	800	75	56.5	800
80	46	850	80	46	600	80	54	600

AREA OF OPERATION

LINE THROUGH CENTERLINE OF ROTATION

A FRONT CENTER STABILIZER IS REQUIRED FOR 360° AREA OF OPERATION.

180° FULL CAPACITY WORK AREA

OPTIONAL 360° WORK AREA OPERATION

DEDUCTIONS FOR STOWED EXTENDABLE JIB (lbs)	900	600	450	350	300	250
DEDUCTIONS FOR STOWED FIXED LENGTH JIB (lbs)	600	400	300	250	200	200

DEDUCTIONS FOR STOWED EXTENDABLE JIB (lbs)	
DEDUCTIONS FOR STOWED FIXED LENGTH JIB (lbs)	

NOTE: 1. CAPACITIES DO NOT EXCEED 118% STABILITY. 2. PERSONNEL HANDLING IS ALLOWED ONLY WITH FULL SPAN OUTRIGGERS. 3. LOAD RATINGS ABOVE BOLD LINE ARE STRUCTURALLY LIMITED. 4. BOOM LOAD RATINGS ARE BASED ON LOADED BOOM RADIUS. 5. LOADED BOOM ANGLES ARE GIVEN AS A REFERENCE ONLY.

CRANE MEETS ASME B30.5 REQUIREMENTS AT TIME OF MANUFACTURE. DO NOT PAINT OVER ANY LABELS 1096730 071907

THIS AERIAL DEVICE IS NON-INSULATING. IT PROVIDES NO ELECTRICAL PROTECTION. CONTACT WITH OR INADEQUATE CLEARANCE TO AN ENERGIZED LINE OR APPARATUS IS AN ELECTROCUTION HAZARD.