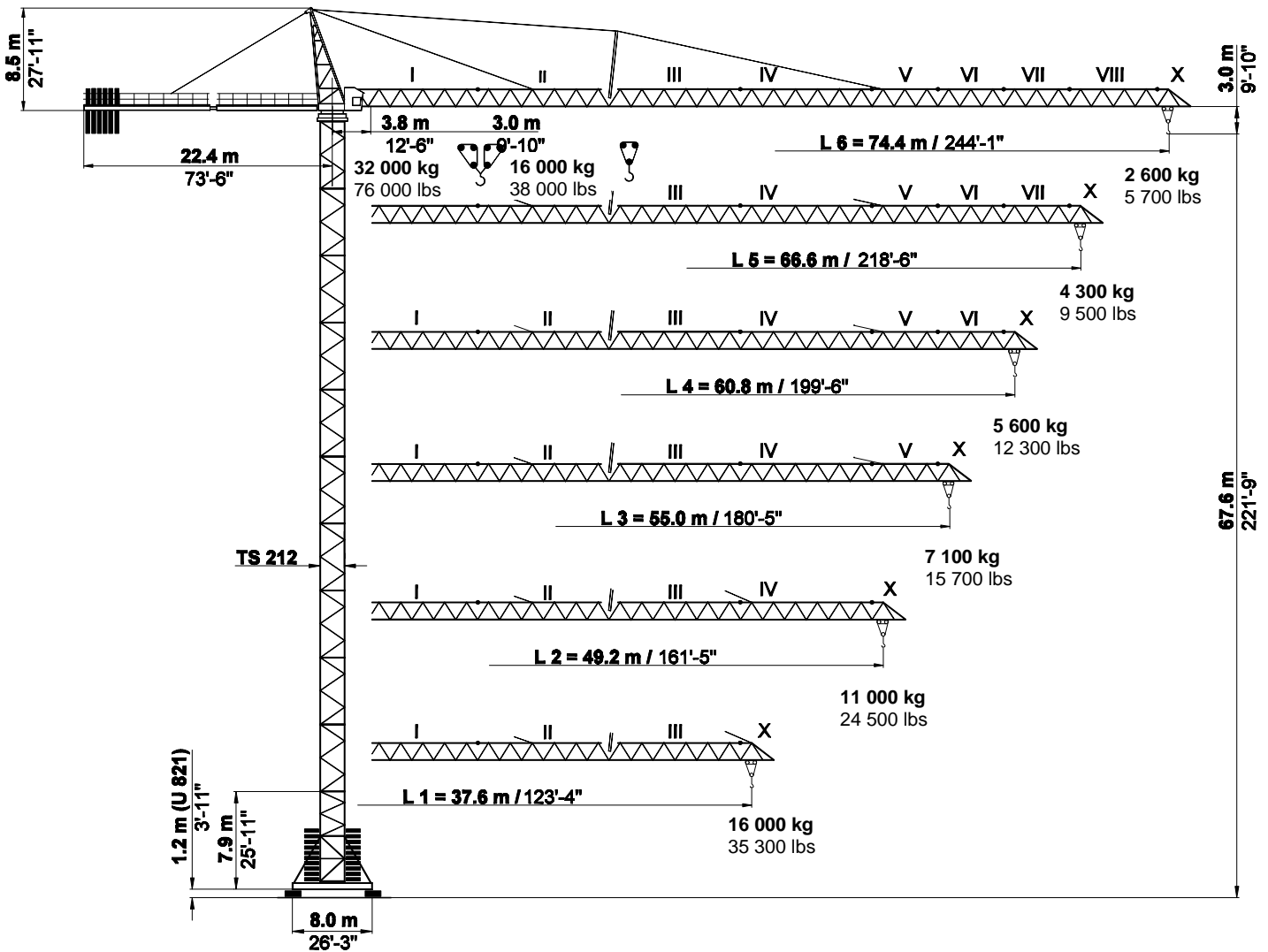
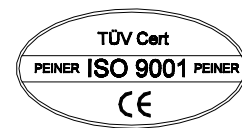


FEM 1001/3

A3

Max. Tragfähigkeit **16.0 / 32.0 t**
Lifting capacity 22 000 / 44 000 lbs
Force de levage

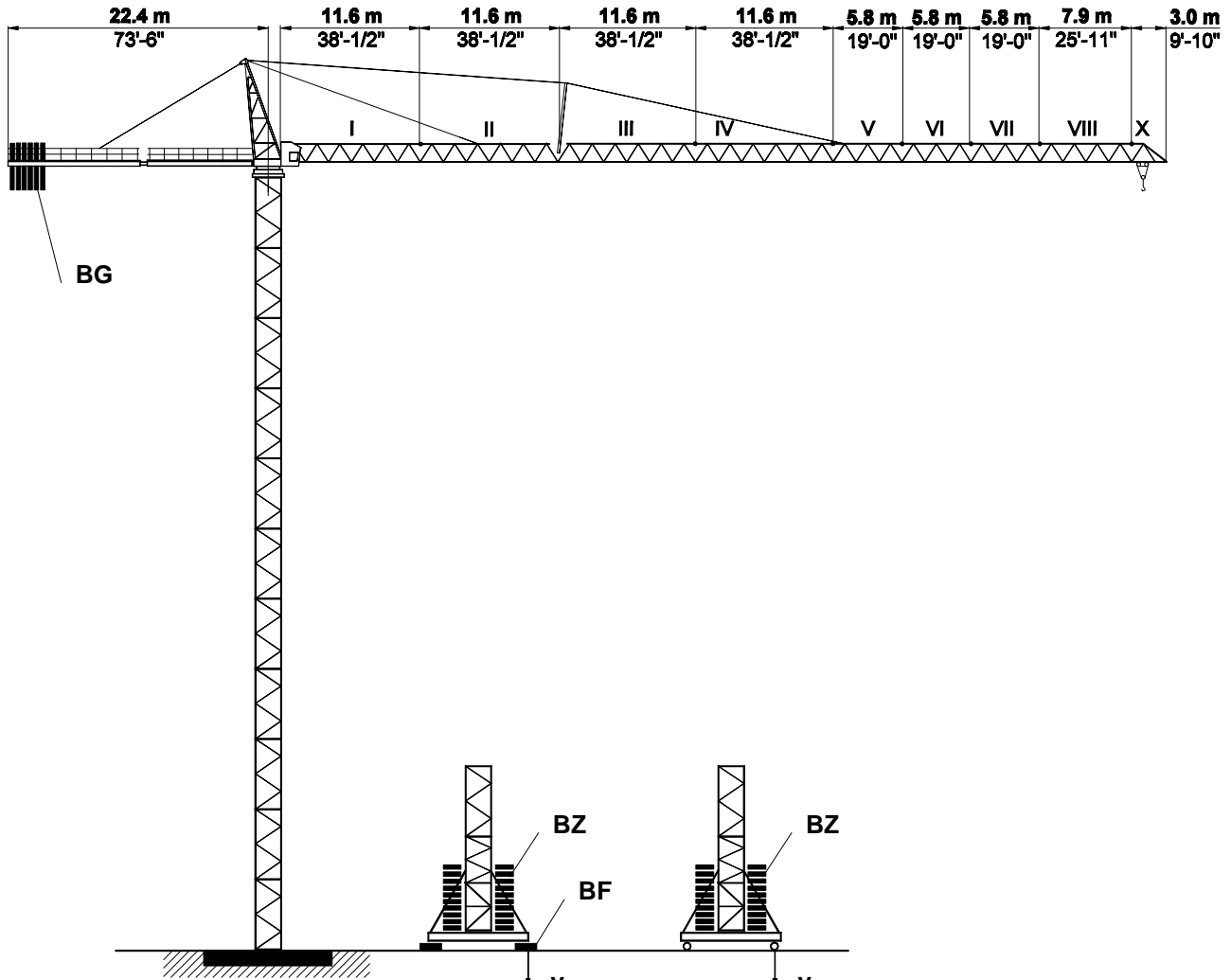
PEINER SK 565



Unsere Vertretung:
Our representative:
Notre représentant:

SK 565 Turmkombinationen, Hakenhöhen, Eckkräfte, Zentralballast

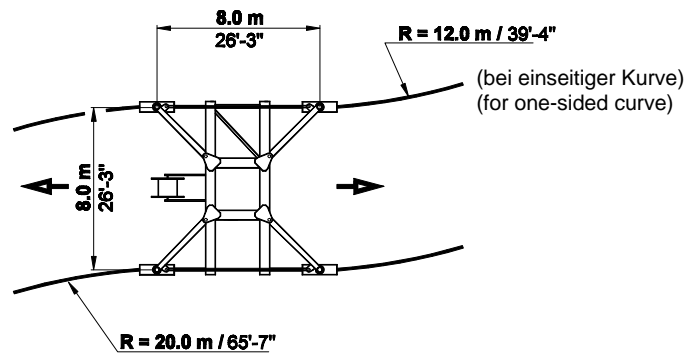
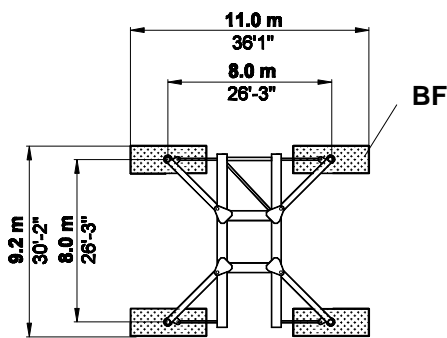
Combinations of tower section, hook heights, forces acting per corner, base ballast
 Combinations possibles et hauteur sous crochet, pressions par coin, contropoids central



Version:

U 821

UF 821



Bodenauflagen

Ground support
 Support sol

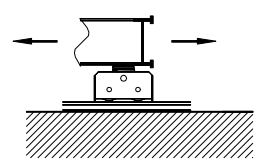
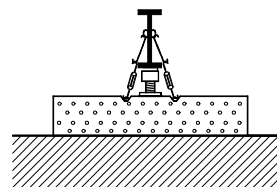
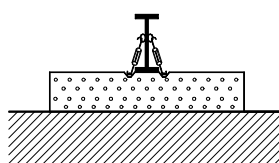
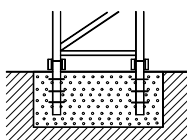
Version:

A

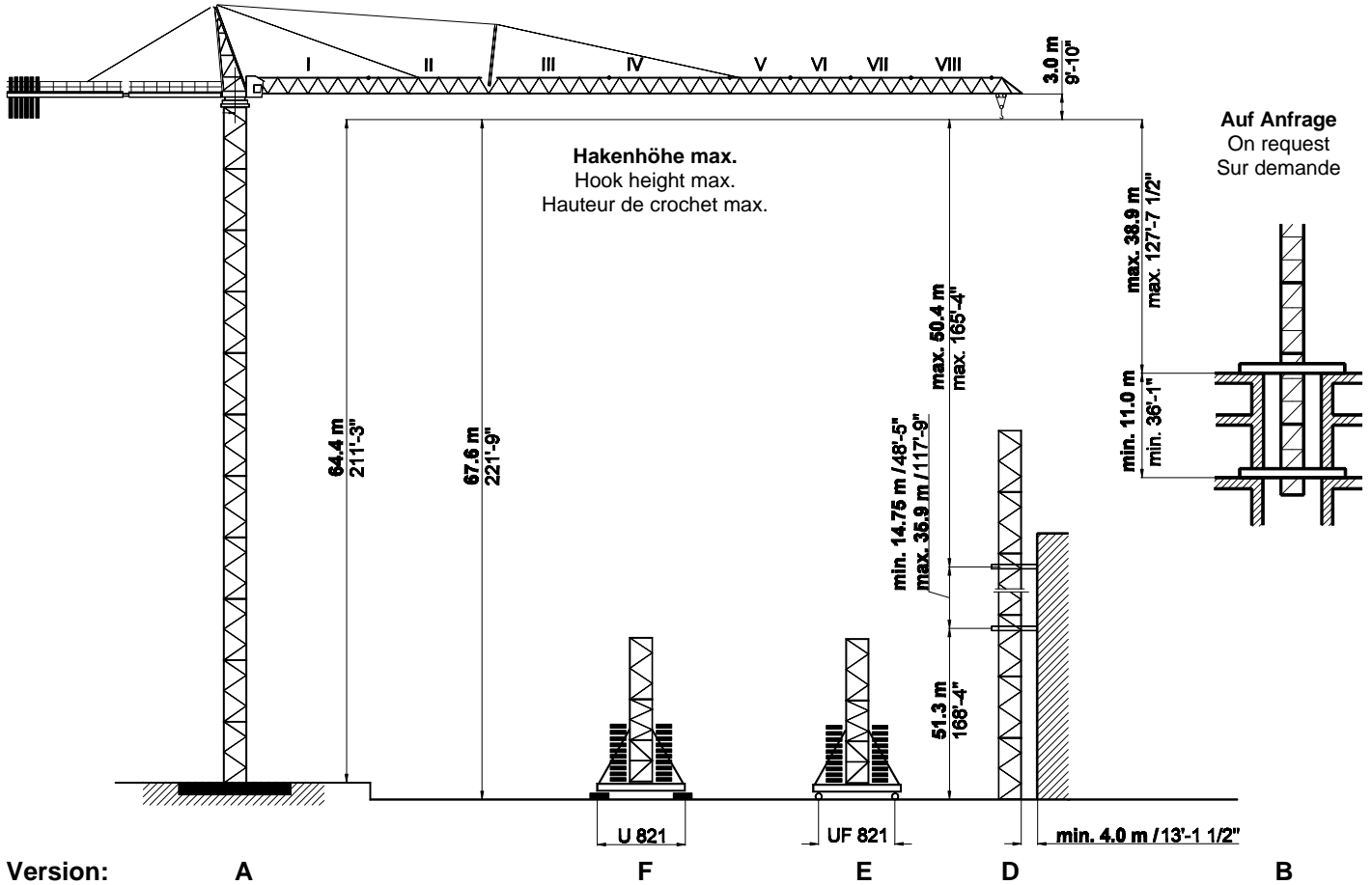
F

F / SP

E



SK 565 Turm / Tower / Tour TS 212



Version: A		Version F					Version E		
Turm Tower, Tour TS 212.1	HH m/ft	Turm Tower, Tour TSV 212.1	HH m/ft	BZ + BF t/kips	y i.B. a.B. kN/kips kN/kips		BZ t/kips	y i.B. a.B. kN/kips kN/kips	
11 x TS 212.1	64.4 m* 211'-3"	1 x TSV 212.1 10 x TS 212.1	67.6 m* 221'-9"	108.4 t 239.7 kips	1015 228	1138 568	118.8 t 261.9 kips	1105 248	1189 267
10 x TS 212.1	58.5 m 192'-0"	1 x TSV 212.1 9 x TS 212.1	61.7 m 202'-5"	95.2 t 210.6 kips	948 213	1005 226	105.6 t 232.8 kips	1033 232	1056 237
9 x TS 212.1	52.6 m 172'-8"	1 x TSV 212.1 8 x TS 212.1	55.8 m 183'-1"	82.0 t 181.5 kips	882 198	879 198	92.4 t 203.7 kips	963 217	929 209
8 x TS 212.1	46.7 m 153'-4"	1 x TSV 212.1 7 x TS 212.1	49.9 m 163'-9"	68.8 t 152.4 kips	817 184	758 170	79.2 t 174.6 kips	894 201	808 182
7 x TS 212.1	40.8 m 133'-11"	1 x TSV 212.1 6 x TS 212.1	44.0 m 144'-4"	55.6 t 123.3 kips	754 170	642 144	79.2 t 174.6 kips	860 193	725 163
6 x TS 212.1	34.9 m 114'-7"	1 x TSV 212.1 5 x TS 212.1	38.1 m 125'-0"	55.6 t 123.3 kips	725 163	566 127	66.0 t 145.5 kips	794 178	615 138
5 x TS 212.1	29.0 m 95'-3"	1 x TSV 212.1 4 x TS 212.1	32.2 m 105'-8"	55.6 t 123.3 kips	697 157	495 111	66.0 t 145.5 kips	763 172	544 122
4 x TS 212.1	23.1 m 75'-11"	1 x TSV 212.1 3 x TS 212.1	26.3 m 86'-3"	42.4 t 94.2 kips	638 143	469 105	52.8 t 116.4 kips	700 157	480 108
3 x TS 212.1	17.2 m 56'-6"	1 x TSV 212.1 2 x TS 212.1	20.4 m 66'-11"	42.4 t 94.2 kips	622 140	469 105	52.8 t 116.4 kips	671 151	480 108
2 x TS 212.1	11.3 m 37'-2"	1 x TSV 212.1 1 x TS 212.1	14.5 m 47'-7"	55.6 t 123.3 kips	622 140	469 105	52.8 t 116.4 kips	645 145	480 108
Fundament Foundation Fondaton 8.5 x 8.5 x 1.7 m 27'-11" x 27'-11" x 5'-7"					Unterwagen Stationary base Châssis fixe U 821		Unterwagen, kurvenfahrbar Railgoing base Châssis roulant UF 821		
Fundamentfüße Fixing angles Ancres de fondation 4 x FF 212				BF 4 x 6.0 t 4 x 8.99	BZ Block 6.6 t block 14.55 kips		Fahrschemel / bogie Kurve / curve / courbe F 500		

Bei Verwendung des TSK 212.1 erhöht sich die Hakenhöhe um 2 m. / Using the tower section TSK 212.1 the hook height is increased by 2 m. / La hauteur sous crochet augmente de 2 m lorsqu'on TSK 212.1 est utilisé. *Kletterstulpe abgesehen / without climbing cage / sans cage télescopique

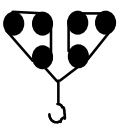
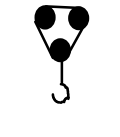
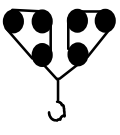
TS 212.1 = 5.9 m

TSV 212.1 = 7.9 m

TSK 212.1 = 2.0 m

SK 565

Ausladung und Tragfähigkeit / Radius and capacity / Portée et charge

Ausleger Jib / Flèche	L 1	L 2	L 3	L 4	L 5	L 6	Ausladung Radius/Portée
Ausladung Radius/Portée	37.6 m 123'-4"	49.2 m 161'-5"	55.0 m 180'-5"	60.8 m 199'-6"	66.6 m 218'-6"	74.4 m 244'-1"	m / ft
 <p>20.0 t 44 000 lbs</p> <p>Doppelkatze 2 - trolleys 2 - chariots</p>	22 000 kg 44 000 lbs	22 000 kg 44 000 lbs	22 000 kg 44 000 lbs	22 000 kg 44 000 lbs	22 000 kg 44 000 lbs	22 000 kg 44 000 lbs	3.8 / 3.0 (12'-6" / 9'-10")
	22 000 kg 44 000 lbs	22 000 kg 44 000 lbs	22 000 kg 44 000 lbs	22 000 kg 44 000 lbs	22 000 kg 44 000 lbs	15 100 kg 33 300 lbs	17.5 57'-5"
	22 000 kg 44 000 lbs	22 000 kg 44 000 lbs	22 000 kg 44 000 lbs	22 000 kg 44 000 lbs	17 300 kg 38 100 lbs	13 000 kg 28 700 lbs	19.8 65'-0"
	22 000 kg 44 000 lbs	22 000 kg 44 000 lbs	22 000 kg 44 000 lbs	18 900 kg 41 700 lbs	16 200 kg 35 700 lbs	12 200 kg 26 900 lbs	20.9 68'-7"
	22 000 kg 44 000 lbs	22 000 kg 44 000 lbs	19 300 kg 42 500 lbs	18 200 kg 40 100 lbs	15 600 kg 34 400 lbs	11 600 kg 25 600 lbs	21.6 70'-10"
	22 000 kg 44 000 lbs	19 100 kg 42 100 lbs	18 400 kg 40 600 lbs	17 300 kg 38 100 lbs	14 900 kg 32 800 lbs	11 000 kg 24 300 lbs	22.5 73'-10"
	18 600 kg 41 000 lbs	17 700 kg 39 000 lbs	17 100 kg 37 700 lbs	16 000 kg 35 300 lbs	13 800 kg 30 400 lbs	10 200 kg 22 500 lbs	24.0 78'-9"
	17 000 kg 37 500 lbs	16 200 kg 35 700 lbs	15 600 kg 34 400 lbs	14 600 kg 32 200 lbs	12 500 kg 27 600 lbs	10 000 kg 22 000 lbs	26.0 85'-4"
	15 600 kg 34 400 lbs	14 800 kg 32 600 lbs	14 300 kg 31 500 lbs	13 400 kg 29 500 lbs	11 500 kg 25 400 lbs	9 600 kg 21 200 lbs	28.0 91'-10"
	14 400 kg 31 700 lbs	13 700 kg 30 200 lbs	13 200 kg 29 100 lbs	12 300 kg 27 100 lbs	10 600 kg 23 400 lbs	8 900 kg 19 600 lbs	30.0 98'-5"
	13 300 kg 29 300 lbs	12 700 kg 28 000 lbs	12 200 kg 26 900 lbs	11 400 kg 25 100 lbs	10 000 kg 22 000 lbs	8 200 kg 18 100 lbs	32.0 105'-0"
	12 400 kg 27 300 lbs	11 800 kg 26 000 lbs	11 400 kg 25 100 lbs	10 600 kg 23 400 lbs	10 000 kg 22 000 lbs	7 700 kg 17 000 lbs	34.0 111'-7"
	11 600 kg 25 600 lbs	11 000 kg 24 300 lbs	10 600 kg 23 400 lbs	10 000 kg 22 000 lbs	9 400 kg 20 700 lbs	7 200 kg 15 900 lbs	36.0 118'-1"
	11 300 kg 24 900 lbs	10 700 kg 23 600 lbs	10 300 kg 22 700 lbs	10 000 kg 22 000 lbs	9 100 kg 20 100 lbs	7 100 kg 15 700 lbs	36.8 120'-9"
 <p>10.0 t 22 000 lbs</p> <p>oder / or / ou</p>  <p>Tragfähigkeit capacity charge</p> <p>- 0.8 t 1 800 lbs</p> <p>Ausladung radius portée</p> <p>- 0.8 m 2'-7 1/2"</p>	10 000 kg 22 000 lbs	10 500 kg 23 100 lbs	10 100 kg 22 300 lbs	10 000 kg 22 000 lbs	8 900 kg 19 600 lbs	6 900 kg 15 200 lbs	37.6 123'-4"
		10 300 kg 22 700 lbs	10 000 kg 22 000 lbs	10 000 kg 22 000 lbs	8 500 kg 18 700 lbs	6 800 kg 15 000 lbs	38.0 124'-8"
		10 000 kg 22 000 lbs	10 000 kg 22 000 lbs	9 400 kg 20 700 lbs	8 200 kg 18 100 lbs	6 400 kg 14 100 lbs	40.0 131'-3"
		10 000 kg 22 000 lbs	9 600 kg 21 200 lbs	9 000 kg 19 800 lbs	7 800 kg 17 200 lbs	6 000 kg 13 200 lbs	42.0 137'-10"
		9 100 kg 20 100 lbs	8 700 kg 19 200 lbs	8 100 kg 17 900 lbs	7 100 kg 15 700 lbs	5 500 kg 12 100 lbs	46.0 150'-11"
		8 400 kg 18 500 lbs	8 100 kg 17 900 lbs	7 500 kg 16 500 lbs	6 600 kg 14 600 lbs	5 000 kg 11 000 lbs	49.2 161'-5"
			7 900 kg 17 400 lbs	7 400 kg 16 300 lbs	6 400 kg 14 100 lbs	4 900 kg 10 800 lbs	50.0 164'-1/2"
			7 600 kg 16 800 lbs	7 100 kg 15 700 lbs	6 200 kg 13 700 lbs	4 700 kg 10 400 lbs	52.0 170'-7"
			7 300 kg 16 100 lbs	6 700 kg 14 800 lbs	5 900 kg 13 000 lbs	4 500 kg 9 900 lbs	54.0 177'-2"
			7 100 kg 15 700 lbs	6 600 kg 14 600 lbs	5 800 kg 12 800 lbs	4 400 kg 9 700 lbs	55.0 180'-5"
				6 500 kg 14 300 lbs	5 700 kg 12 600 lbs	4 300 kg 9 500 lbs	56.0 183'-9"
				6 200 kg 13 700 lbs	5 400 kg 11 900 lbs	4 100 kg 9 000 lbs	58.0 190'-3 1/2"
				6 000 kg 13 200 lbs	5 200 kg 11 500 lbs	4 000 kg 8 800 lbs	60.0 196'-10"
				5 900 kg 13 000 lbs	5 100 kg 11 200 lbs	3 900 kg 8 600 lbs	60.8 199'-6"
				5 000 kg 11 000 lbs	3 800 kg 8 400 lbs	62.0 203'-5"	
				4 800 kg 10 600 lbs	3 600 kg 7 900 lbs	64.0 210'-0"	
				4 700 kg 10 400 lbs	3 500 kg 7 700 lbs	66.0 216'-6 1/2"	
				4 600 kg 10 100 lbs	3 500 kg 7 700 lbs	66.6 218'-6"	
					3 400 kg 7 500 lbs	68.0 223'-1"	
					3 200 kg 7 100 lbs	70.0 229'-8"	
					3 100 kg 6 800 lbs	72.0 236'-2 1/2"	
					3 000 kg 6 600 lbs	74.4 244'-1"	

Geschwindigkeiten / Speeds / Vitesse

FU 8-200/4		$v = 0 \rightarrow 80 \text{ m / min. } (\sim 265 \text{ fpm})$		1 x 7.5 kW 1 x 10.2 HP	Bei 440 V bzw. 480 V / 60 Hz erhöhen sich die Antriebsleistungen um ~ 10% bzw. um ~ 20% und Geschwindigkeiten um ~ 20%. FU-Antriebe ausgenommen. At 440 V or 480 V / 60 Hz the power of the drive units are increased by ~ 10% or 20% and the speeds by ~ 20% . Excluded FC-drives.				
SR 10-190/3		$v = 0 \rightarrow 30 \text{ m / min. } (\sim 100 \text{ fpm})$		2 x 10.0 kW 2 x 13.6 HP					
K WB 150/4		$v = 0 \rightarrow 0.85 \text{ min}^{-1} \text{ (rpm)}$	L1; L2 L3, L4, L5, L6	2 x 7.5 kW 2 x 10.2 HP 3 x 7.5 kW 3 x 10.2 HP					
HK max. = 250 m 4- Lagen / 4-layers / 4- couches					400 V / 50 Hz / 3 ph				
Type SR WB 66-100/4F 66.0 kW ~ 90 HP				$\rightarrow 134 \text{ m/min}$ 440 fpm	2 500 kg 5 500 lbs		$\rightarrow 67 \text{ m/min}$ 220 fpm	5 000 kg 11 000 lbs	Motorenleistung Motor output ~ 95 kW Puisance moteur ohne/without/sans SR 10-90/3 ~ 130 HP
			$\rightarrow 88 \text{ m/min}$ 290 fpm	4 200 kg 9 250 lbs	$\rightarrow 44 \text{ m/min}$ 145 fpm		8 400 kg 18 500 lbs		
			$\rightarrow 58 \text{ m/min}$ 190 fpm	6 700 kg 14 750 lbs	$\rightarrow 29 \text{ m/min}$ 95 fpm		13 400 kg 29 500 lbs	Anschlußleistung Connected power 140 kVA Puisance installée	
			$\rightarrow 33 \text{ m/min}$ 110 fpm	10 000 kg 22 000 lbs	$\rightarrow 16 \text{ m/min}$ 50 fpm		20 000 kg 44 000 lbs		
HK max. = 250 m 4- Lagen / 4-layers / 4- couches									
Type SR WB 102-100/4F 102.0 kW ~ 140 HP				$\rightarrow 160 \text{ m/min}$ 530 fpm	2 800 kg 6 150 lbs		$\rightarrow 80 \text{ m/min}$ 265 fpm	5 600 kg 12 300 lbs	Motorenleistung Motor output ~ 130 kW Puisance moteur ohne/without/sans SR 10-90/3 ~ 175 HP
			$\rightarrow 100 \text{ m/min}$ 330 fpm	4 800 kg 10 500 lbs	$\rightarrow 50 \text{ m/min}$ 165 fpm		9 600 kg 21 000 lbs		
			$\rightarrow 63 \text{ m/min}$ 210 fpm	8 000 kg 17 500 lbs	$\rightarrow 61 \text{ m/min}$ 100 fpm		16 000 kg 35 000 lbs	Anschlußleistung Connected power 200 kVA Puisance installée	
			$\rightarrow 40 \text{ m/min}$ 130 fpm	10 000 kg 22 000 lbs	$\rightarrow 20 \text{ m/min}$ 65 fpm		20 000 kg 44 000 lbs		

Gegengewichtsballast / Counterweight / Contrepoids

Ausleger / Jib / Flèche		L 1	L 2	L 3	L 4	L 5	L 6
Gegengewicht Counterweight Contrepoids	BG	13 850 kg	18 400 kg	21 500 kg	21 500 kg	22 950 kg	23 150 kg
	[t]	4 x 3.10 1 x 1.45	5 x 3.10 2 x 1.45	6 x 3.10 2 x 1.45	6 x 3.10 2 x 1.45	6 x 3.10 3 x 1.45	7 x 3.10 1 x 1.45
	[lbs]	4 x 6 800 1 x 3200	5 x 6 800 2 x 3 200	6 x 6 800 2 x 3 200	6 x 6 800 2 x 3 200	6 x 6 800 3 x 3 200	7 x 6 800 1 x 3 200

SK 505 / 565 Transportmaße und Transportgewichte

Dimensions and weights of transport
Dimensions et poids pour transport

Montagegewichte siehe Betriebsanleitung!
Mounting weights see operating manual!
Poids de montage voir instruction de service!

	Benennung Designation Désignation		Abmessungen (m / ft) Dimensions (m / ft)			Gewicht Weight Poids t / kips	Volumen Volume m³ / ft³	
			l	b	h			
1	Ausleger / Jib / Flèche Schuss / Section / Élément I		11.80 38.72	1.87 6.14	2.17 7.12	3.52 7.76	47.9 1693	
	Schuss / Section / Élément II		11.80 38.72	1.84 6.04	1.82 5.97	3.02 6.66	39.4 1396	
	Schuss / Section / Élément III		11.80 38.72	1.84 6.04	1.82 5.97	1.64 3.62	39.4 1396	
	Schuss / Section / Élément IV		11.80 38.72	1.84 6.04	1.82 5.97	2.00 4.41	39.4 1396	
	Schuss / Section / Élément V		6.00 19.69	1.84 6.04	1.82 5.97	0.89 1.96	20.0 710	
	Schuss / Section / Élément VI		6.00 19.69	1.84 6.04	1.83 6.00	0.73 1.61	20.1 716	
	Schuss / Section / Élément VII		6.00 19.69	1.84 6.04	1.83 6.00	0.55 1.21	20.1 716	
	Schuss / Section / Élément VIII		7.95 26.08	1.84 6.04	1.83 6.00	0.66 1.45	26.7 945	
	Seilstation / Jib tip / Bout de flèche X		3.08 10.11	1.92 6.30	2.16 7.09	0.46 1.01	12.8 452	
	2		Turmsspitze kpl. Tower top compl. Chevalet compl.		8.90 29.20	2.14 7.02	2.50 8.20	3.42 7.54
3	Drehbühne mit Drehkranzaufgabe u. Motoren Turntable with slewing ring support and motors Plateforme tournante avec support de couronne d'orientation et moteurs		2.89 9.48	2.33 7.64	2.20 7.22	9.25 20.40	14.8 523	
4	Kabine mit Podest und Geländer Cabin with support and railing Cabine avec appui et garde corps		3.10 10.17	1.50 4.92	2.21 7.25	0.95 2.09	10.3 364	
5	Gegenausleger mit Hubwinde Counter jib with hoist winch Contre-flèche et mécanisme de levage		11.75 38.55	2.50 8.20	1.78 5.84	6.56 14.46	52.3 1846	
			G2	9.37 30.74	2.02 6.63	0.57 1.87	2.10 4.63	10.8 381
6	Gegengewichtsballast Counter jib ballast Contrepoids		1.55 5.08	0.19 0.63	4.50 14.76	3.10 6.80	1.3 47.3	
			BG	1.20 3.94	0.14 0.46	2.74 8.99	1.45 3.20	0.5 16
7	Turmschuss mit Streben Tower section with struts Élément de tour avec étançons	TS 212.1		5.95 19.52	2.37 7.78	2.45 8.01	4.14 9.13	34.4 1216
		TSV 212.1		9.50 31.17	3.00 9.84	3.05 10.00	9.22 20.33	86.9 3067
		TSK 212.1		2.02 6.63	2.40 7.87	3.00 9.84	2.80 6.17	14.5 513
8	Unterwagen, kurvenfahrbar, geklappt Movable undercarriage, folded Châssis roulant, replié	UF 821		12.5 41.01	2.97 9.74	2.15 7.05	15.90 35.10	79.8 2816
9	Unterwagen, stationär, geklappt Stationary undercarriage, folded Châssis fixe, replié	U 821		10.53 34.55	2.76 9.06	0.85 2.79	7.77 17.10	24.7 873
10	Zentralballaststein Central ballast block Bloc de fondation	BZ		4.50 14.77	2.05 6.73	0.40 1.31	6.60 14.55	3.7 130
11	Fundamentblock Foundation pad Bloc de fondation	BF		3.00 9.84	1.20 3.94	0.75 2.46	6.00 13.22	2.7 95
12	Diverse Montageteile Accessories Accessoires							