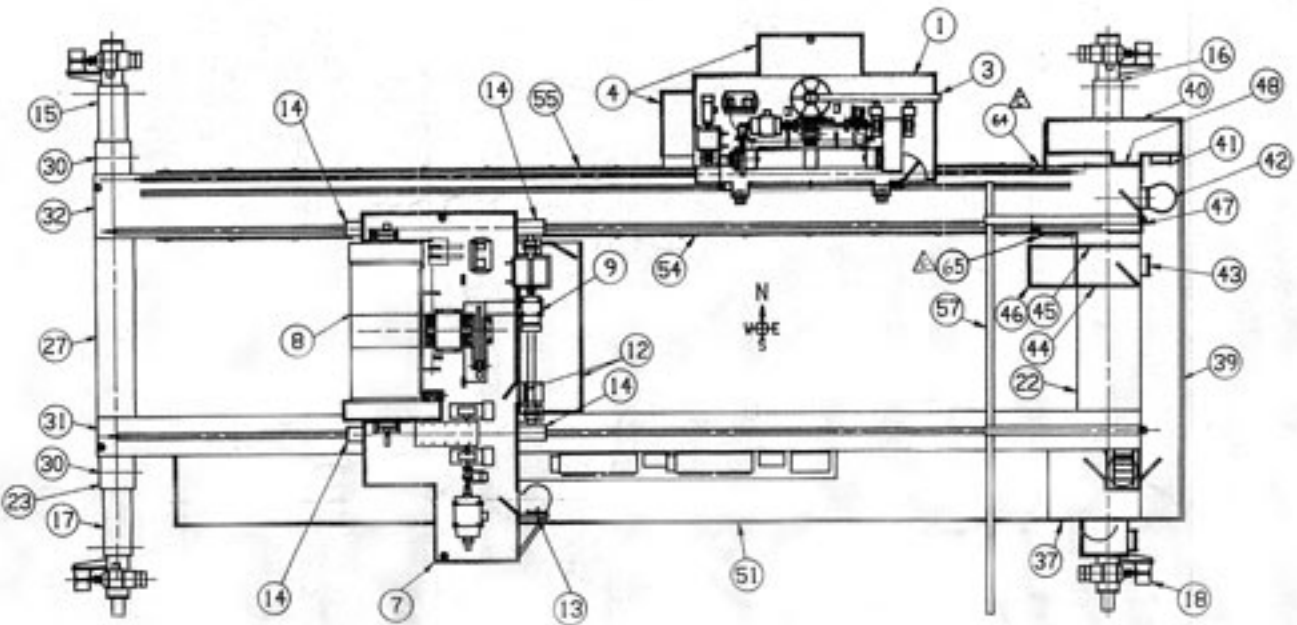


LTN	REVISIONS	DATE	BY	CHK	ENG	APPO	APPO	APPO
C	ADDED ITEMS 63, 64, 65 - (SEE AT BOTTOM)	12-4-92	BELA	CT	ZFI			

		REVISIONS						
LTN	DESCRIPTION	DATE	BY	CHK	ENG	APPO	APPO	APPO
A	GENERAL REVISION	8-20-92	EPR	DEM	LH			
B	REVISED WEIGHTS	10-22-92	EPR					

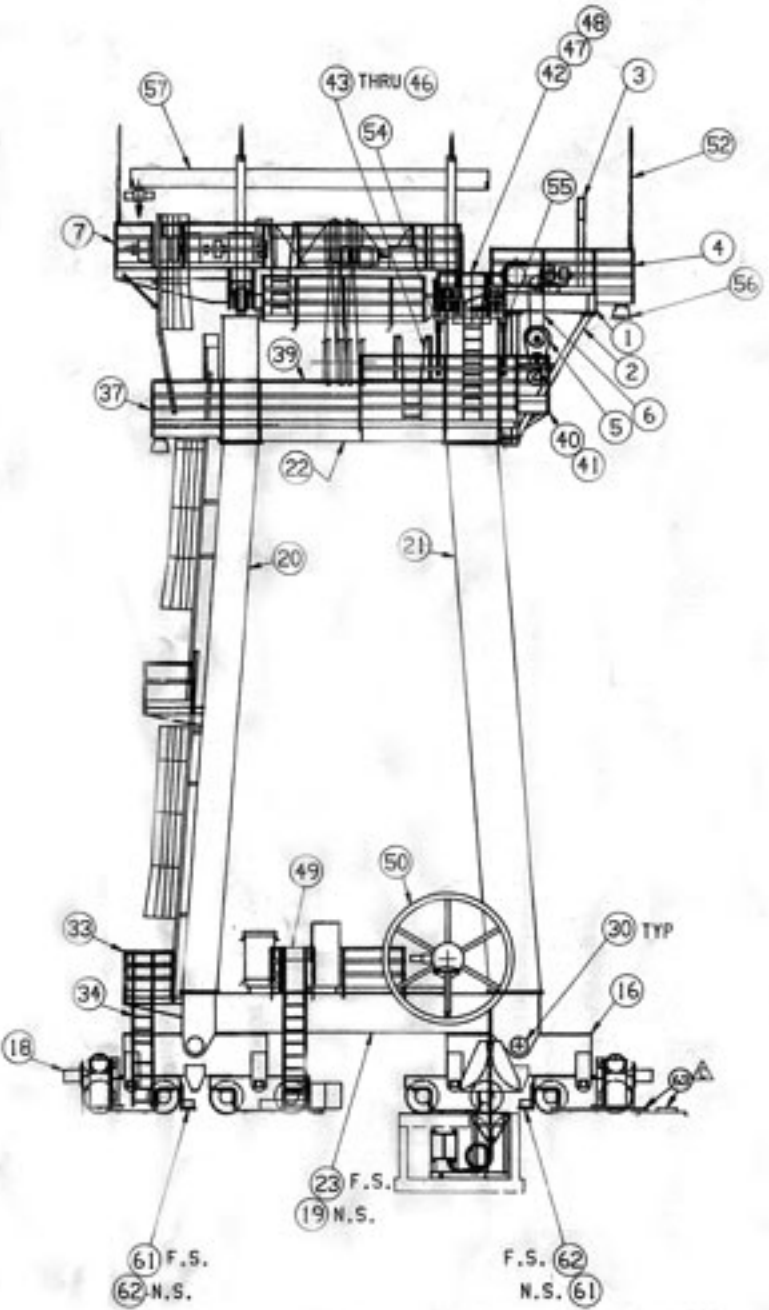
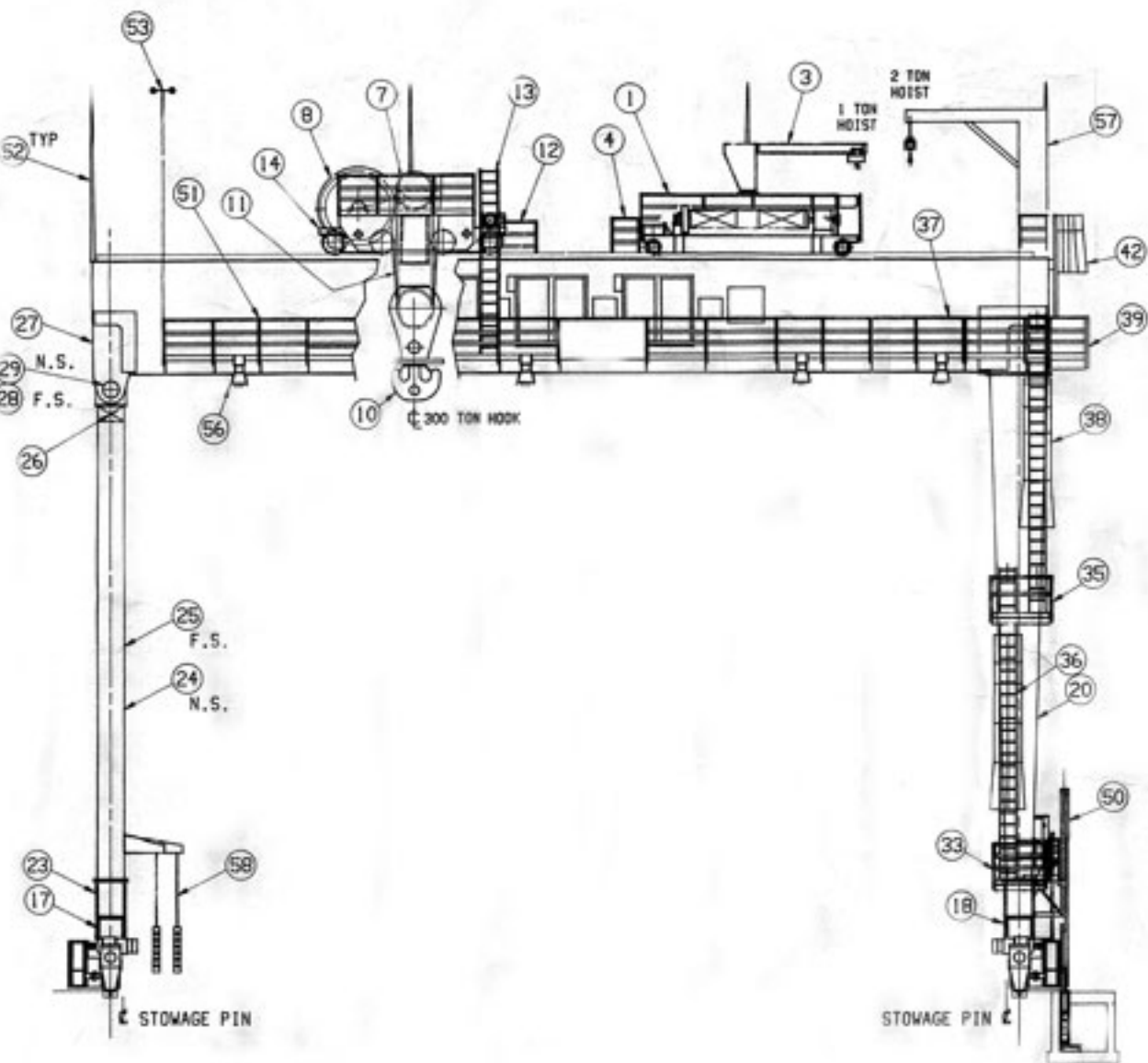


REFERENCE INFORMATION :

N.A.S.A. P.O. NUMBER	NAS13-400
SPECIFICATION NUMBER	1445 / 04
EDERER SERIAL NUMBER	F-2319
EQUIPMENT NUMBER	75-4-1000-503

NOTES:

- 1....FOR CRANE DIMENSIONS AND DATA SEE CLEARANCE DRAWING PA-1826 .
- 2....BURN LIFTING LOGS OFF TOP OF GIRDER AFTER ERECTION . CUT LINE IS 1" FROM FACE OF GIRDER STEEL .
- 3....FOR MATCHMARK AND BOLT LOCATION DRAWING SEE A-15163



ITEM NO.	DESCRIPTION	QTY	MATERIAL	WEIGHT
62	SKIEWING SENSOR ASSY	2	A-15156-1	337
61	SKIEWING SENSOR ASSY	2	A-15156-2	337
60	ERECTION BOLTS	BOX	C-24983	800
59	MISC. ELEC & MECH	LOT	-	2000
58	PENDANTS	2	B-18910	200
57	JIB HOIST ASSY 2 TON	1	A-15111	5700
56	LIGHTS	6	B-18901	320
55	AUXILIARY TROLLEY FESTOON	1	A-15154	500
54	MAIN TROLLEY FESTOON	1	A-15155	560
53	ANOMETER	1	A-15187	227
52	LIGHTING PROTECTION SYS	1	A-15176	509
51	BOLTED WALKWAYS - A-GIRDER	4	A-15066 MK-1,2,3	6853
50	CABLE REEL & DIVERTER ASSY	1	A-15130	4865
49	TRANSFORMER & ACCESS ASSY	1	A-15140	3990
48	HANDRAIL	1	A-15067 MK-7	165
47	HANDRAIL	1	A-15067 MK-6	92
46	PLATFORM	1	A-15067 MK-9	444
45	HANDRAIL	1	A-15067 MK-12	119
44	HANDRAIL	1	A-15067 MK-11	127
43	LADDER	1	A-15067 MK-13	90
42	LADDER	1	A-15067 MK-2	230
41	LADDER	1	A-15067 MK-8	60
40	BOLTED WALKWAY - B-GIRDER	1	A-15067 MK-14	1315
39	END TIE WALKWAY	1	A-15067 MK-1	2331
38	LADDER	1	A-15065 MK-5	537
37	BOLTED WALKWAY - A-GIRDER	1	A-15066 MK-4	1384
36	LADDER	1	A-15065 MK-4	522
35	PLATFORM	1	A-15065 MK-2	568
34	LADDER	1	A-15065 MK-3	144
33	PLATFORM	1	A-15065 MK-1	639
32	B-GIRDER SUB ASSY	1	A-14913	82000
31	A-GIRDER SUB ASSY W/ELECT.	1	A-14914	67500
30	EQUALIZER PIN	4	C-24679	7064
29	PIN (PIVOT LEG AT A-GIRD)	1	C-24638	2156
28	PIN (PIVOT LEG AT B-GIRD)	1	C-24637	3039
27	GIRDER END TIE - PIN END	1	A-14935	12334
26	HORIZ BRACE (PIVOT LEG)	1	A-14945	452
25	PIVOT LEG - B-GIRDER	1	A-14942	12639
24	PIVOT LEG - A-GIRDER	1	A-14941	10791
23	SILL BEAM (WEST END)	1	A-14961	10716
22	GIRDER END TIE - FIXED END	1	A-14934	14929
21	PIER LEG - B-GIRDER	1	A-14940	16930
20	PIER LEG - A-GIRDER	1	A-14939	13706
19	SILL BEAM (EAST END)	1	A-14943	10716
18	GANTRY TRUCKS ASSY - SOUTH EAST	1	A-15156-4	21424
17	GANTRY TRUCKS ASSY - SOUTH WEST	1	A-15156-3	21424
16	GANTRY TRUCKS ASSY - NORTH EAST	1	A-15156-2	20525
15	GANTRY TRUCKS ASSY - NORTH WEST	1	A-15156-1	20383
14	TRUCKS ASSY	2/2	A-14964 ITEMS 2, 3, 4, 5, 6, 15 & 16	15644
13	LADDER & BRACKET	1	A-14964 ITEM 21	422
12	PLATFORM & LADDER	1	A-14964 ITEM 12	3000
11	REEVING	1	A-14964 ITEM 9	4870
10	LOWER BLOCK	1	A-14964 ITEM 8	11347
9	TROLLEY DRIVE	1	A-14964 ITEM 7	5817
8	DRUM SUB ASSY	1	A-14964 ITEM 11	35346
7	MAIN TROLLEY SUB ASSY	1	A-14964	54891
6	REEVING	1	A-14965 ITEM 9	372
5	LOWER BLOCK	1	A-14965 ITEM 8	1916
4	REMOVABLE PLATFORMS	1/1	A-14965 ITEMS 12 & 13	2535
3	JIB CRANE & HOIST 1 TON	1/1	A-14965 ITEMS 14 & 15	1175
2	TRUSS	1	A-14965 ITEM 2	2149
1	AUX TROLLEY SUB ASSY	1	A-14965	22179

41418
45 568
52
52

LIST OF MATERIALS

ITEMS WITH SPECIAL QUALITY REQUIREMENTS 0

SCALE 1/8" = 1 FT - 0" TOTAL WT. 546,452 LBS.

EDERER INCORPORATED
WASHINGTON STAR CRANES

ERECTION DRAWING
300 / 30 TON GANTRY CRANE
N.A.S.A. STENNIS SPACE CENTER MS.

A-15050

REV C

ITEM	DESCRIPTION	QTY	MATERIAL	WEIGHT
65	SHIELD	1	C-25136	50
64	SHIELD	1	C-25135	180
63	L.S. ARRGT. - BRIDGE	1	A-15183	95