

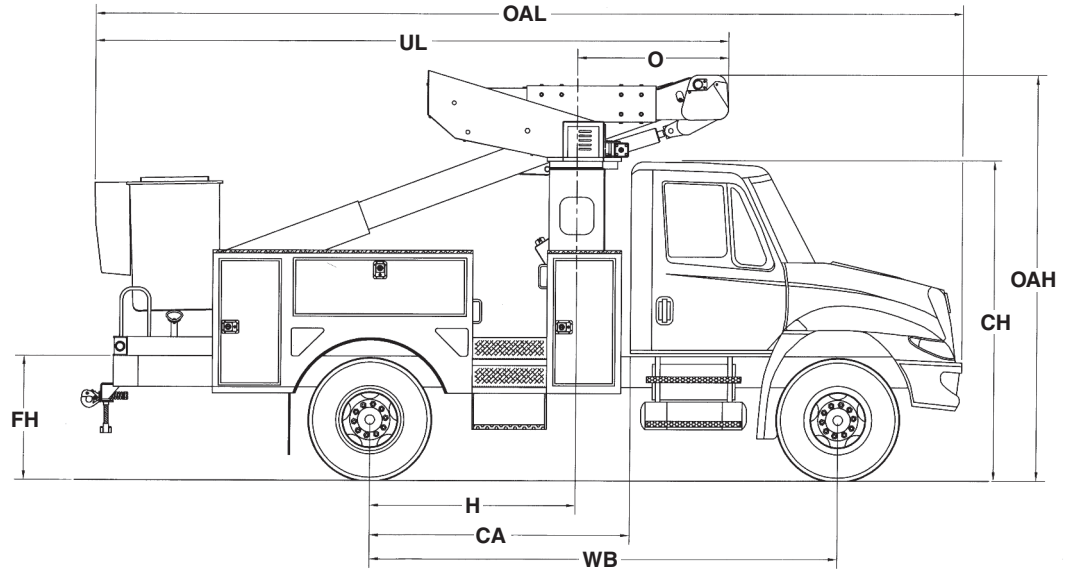


TEREX®

TPL SERIES Hi-Ranger Telescopic Articulating Aerial Device

AERIAL DEVICES

Terex® Hi-Ranger Aerial Devices are known throughout the industry. They come with a long history featuring quality and innovative design.



Measurements	TPL36	TPL40
	BC	BC
Typical Frame Height (FH)	40 in. (101.6 cm)	40 in. (101.6 cm)
Typical Cab Height (CH)	108 in. (274.3 cm)	108 in. (274.3 cm)
Offset (O)	48 in. (121.9 cm)	48 in. (121.9 cm)
Overall Height (OAH)	10' 8" (3.3 m)	10' 8" (3.3 m)
Overall Length (OAL)	21' 2" (6.5 m)	22' 7" (6.9 m)
Unit Length (UL)	13' 10" (4.2 m)	16' 1" (4.9 m)
Center of Rotation (H)	42 in. (106.7 cm)	66 in. (167.6 cm)
Cab to Axle (CA)	60 in. (152.4 cm)	84 in. (213.4 cm)
Wheel Base (WB)	132 in. (335.3 cm)	156 in. (396.2 cm)
Front Axle (FA)	6,000 lb. (2,722 kg)	6,000 lb. (2,722 kg)
Rear Axle (RA)	13,500 lb. (6,124 kg)	13,500 lb. (6,124 kg)
Gross Vehicle Weight Rating (GVWR)	17,500 lb. (7,938 kg)	17,500 lb. (7,938 kg)
Recommended Weight for Stability (with Outriggers)	11,500 lb. (5,221 kg)	13,500 lb. (6,124 kg)
Frame Section Modulus	10.1 in ³	10.1 in ³
Frame Yield Strength	36,000 psi	36,000 psi
Frame RBM	360,000 in-lbs	360,000 in-lbs



TEREX®

500 Oakwood Drive
PO BOX 1150
Watertown, SD 57201-6150
USA

Phone: (605) 882-4000
Facsimile: (605) 882-1842
www.terexutilities.com
E-mail: utilities.info@terex.com

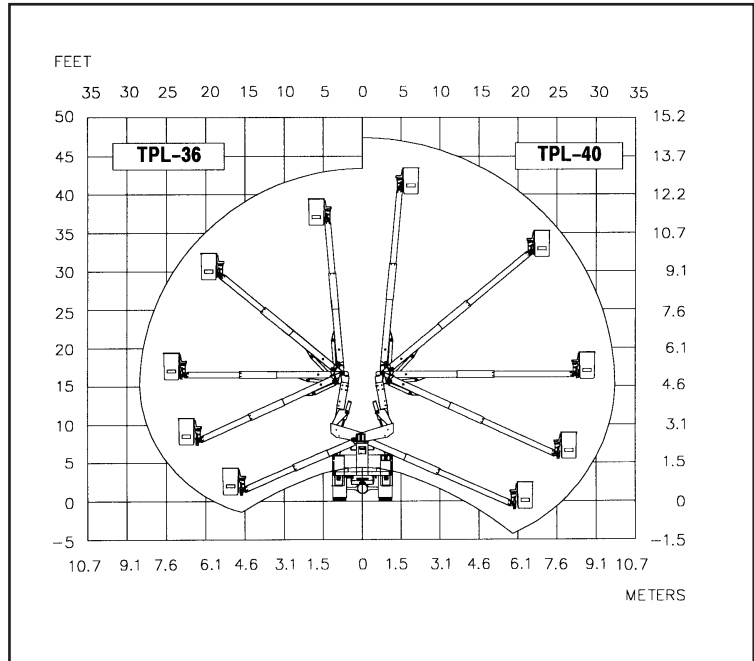
Distributed By:

TPL SERIES

Hi-Ranger Telescopic Articulating Aerial Device

STANDARD EQUIPMENT

- 24" x 30" x 42" One-Person End Mount Platform
- Platform Capacity of up to 400 lbs (181.4 kg) on TPL36 and up to 350 lbs (159.0 kg) on TPL40
- Control-Plus "3-D" Single Stick
- Safety Harness With Attached Lanyard
- Continuous Unrestricted Rotation
- Rectangular, Bi-Axial Epoxy Resin, Filament Wound Fiberglass Booms
- Category "C" Rating Per ANSI A92.2
- Hydraulic Platform Tilt At Upper Controls
- Hydraulic Platform Leveling
- Full Pressure, Open-Center Hydraulic System
- 20 Gallon Hydraulic Oil Reservoir Integral With Pedestal
- Padded Boom And Platform Rest
- Boom Interlock
- Moving Outrigger Alarm
- Truck Level Indicator



CAPACITIES & DIMENSIONAL DATA (Based on a 40 Inch Frame Height)

	Bottom of Platform Height (A)	Working Height (B)	Horizontal Reach (C)	Boom Travel Platform	
				Above Horizontal	Below Horizontal
TPL36	36.0 ft (11.0 m)	41.0 ft (12.5 m)	25.6 ft (7.8 m)	85°	25°
TPL40	40.0 ft (12.2 m)	45.0 ft (13.7 m)	29.6 ft (9.0 m)	85°	25°

OPTIONAL EQUIPMENT

- 24" x 48" x 42" End Mount Platform
- Various Platform Covers
- Liners With or Without Steps
- 180° Hydraulic Platform Rotator
- Control-Plus 4-Function Single Stick
- Hydraulic Tool Outlets
- Engine Stop/Start
- Auxiliary Power System
- Auxiliary Let Down System
- 20 Gallon Remote Oil Reservoir
- Boom Overstow Protection
- Boom/Boom Stow Interlock
- Outrigger Sag Light
- Various Types of Outriggers
- Truck Grounding Cable & Clamp
- Hybrid Enable
- HyPower™ Hybrid System by Terex®

Effective Date: March, 2010. Product specifications and prices are subject to change without notice or obligation. The photographs and/or drawings in this document are for illustrative purposes only. Refer to the appropriate Operator's Manual for instructions on the proper use of this equipment. Failure to follow the appropriate Operator's Manual when using our equipment or to otherwise act irresponsibly may result in serious injury or death. The only warranty applicable to our equipment is the standard written warranty applicable to the particular product and sale and Terex makes no other warranty, express or implied. Products and services listed may be trademarks, service marks or trade-names of Terex Corporation and/or its subsidiaries in the USA and other countries. All rights are reserved. Terex® is a registered trademark of Terex Corporation in the USA and many other countries. Copyright 2010 Terex Corporation.