

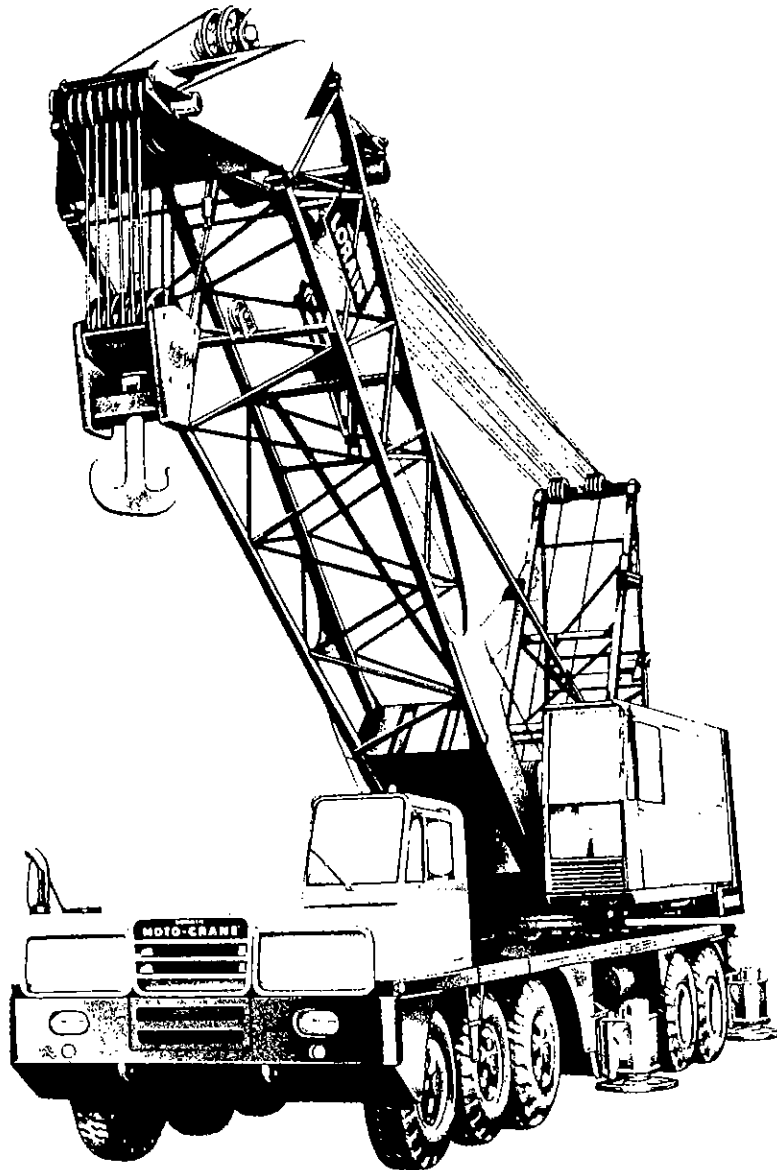
VALUE IS OUR FIRST SPECIFICATION

# LORAIN MC-8150

## MOTO-CRANE<sup>®</sup>

### SPECIFICATIONS

#### 10X4



### OUTSTANDING PERFORMANCE FEATURES

**TANDEM DRUM DESIGN** for outstanding cable capacity.

**ALL-GEAR DRIVE** . . . enclosed gears lubricated by forced filtered oil.

**HYDRAULIC SWING** . . . independent precision control.

**ONE-PIECE TURNTABLE BED AND SIDE FRAMES** . . . maximum strength, perfect shaft alignment.

**VERY LOW WEIGHT** for its rating, for better roadability.

**BRAND NEW SUPERSTRUCTURE DESIGN.**  
**LORAIN-DESIGNED AND BUILT CARRIER**  
10 x 4, box frame chassis, planetary axles.

**HAMMERHEAD BOOM PEAK** . . . for short boom, maximum lifts.

**LONG TAPERED BOOM PEAK** . . . available for maximum reaches, capacities.

**POWER LOAD LOWERING** . . . available on both hoist drums.

**EXCLUSIVE SQUARE-TUBULAR-CHORD BOOM** . . . round tubular lacing . . . aircraft type alloy steel . . . long-lived, light weight, sturdy.

**POWERSPAN OUTRIGGERS** . . . set in seconds, precise leveling, plus straight down motion.

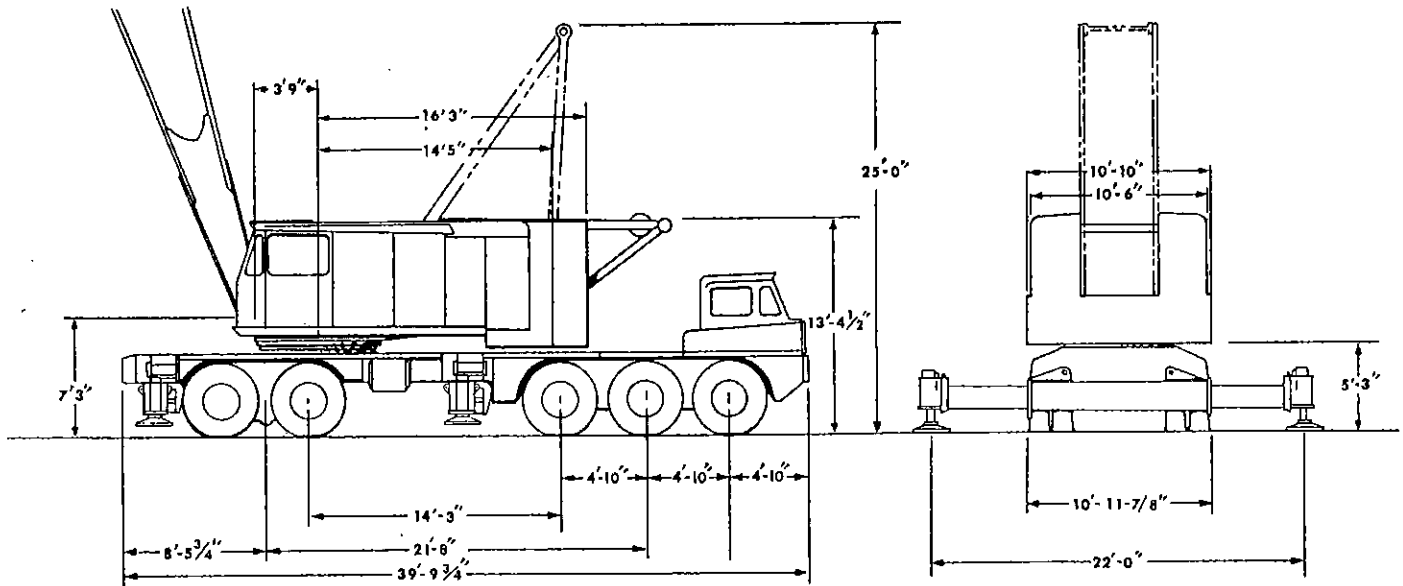
**EXCLUSIVE SHEAR-BALL<sup>®</sup> TURNTABLE CONNECTION** . . . 10-year written warranty.

**BIG, DUAL DRUM, 2-SPEED BOOM HOIST** . . . metered air controls.

**RETARDER** . . . for precision work . . . standard.

**TORQUE CONVERTER** . . . standard.

# DIMENSIONS AND SPECIFICATIONS... 10X4... D-21 BOOM



## TURNTABLE SPECIFICATIONS

<b>Power</b>	Cummins N-855-C-TC, 6 cyl.	
Diesel	5 1/2 in. x 6 in.	
Bore and Stroke	855 cu. in.	
Displacement	246 H.P.	
Horsepower	Torque Converter	
Power Take-Off	100 gals.	
Fuel Tank		

### Operating Characteristics

Line Pulls and Line Speeds:	Hand Throttle	Foot Throttle
Rear Drum 25" P.D. Lagging		
1st Layer	26,940# @ 196 F.P.M.	21,870# @ 297 F.P.M.
3rd Layer	23,620# @ 224 F.P.M.	19,170# @ 340 F.P.M.
Front Drum 21" P.D. Lagging		
1st Layer	30,470# @ 166 F.P.M.	24,730# @ 252 F.P.M.
3rd Layer	25,600# @ 198 F.P.M.	20,775# @ 300 F.P.M.
Swing Speed	0-4 R.P.M.	

### Controls

Hoist and Derricking Clutches	Metered Air
Swing	Independent Hydraulic

### Other Equipment

Boom Hoist	2-Speed, Dual Drum
Gantry	Power Operated Back Hitch
Counterweights (with Hydraulic Kit for Removal)	24,100 and 34,500 lbs.

**Turntable Connection** ..... Internal Gear Shear-Ball®

## MOTO-CRANE SPECIFICATIONS

<b>Power</b>	Cummins, NTC-335, 6 cyl.	
Diesel	5 1/2 in. x 6 in.	
Bore and Stroke	855 cu. in.	
Displacement	335 H.P.	
Horsepower	Plate Clutch	
Power Take-Off	120 gals.	
Fuel Tank		

### Transmissions

Main	11 Speeds
Auxiliary	3 Speeds
Speeds Forward	33
Speeds Reverse	6

**Speeds:** Low-low ..... 0.7 M.P.H. High-high ..... 38.0 M.P.H.

**Outriggers** ..... POWRSPAN, Hydraulically Operated, Complete with Floats.

### Rear Bogie

Axles (Planetary) ..... Double Reduction Gear Drive  
 First reduction thru hypoid gears; final reduction thru planetary wheel hubs; high-traction differentials. Interaxle differentials with lockout.

<b>Mounting</b> .....	Two axles in tandem, with "through-drive", mounted on equalizer beams.
<b>Front Tridem</b> .....	Three non-driving axles on equalizer beams
<b>Steering</b> .....	Centralized, Hydraulic Power Assist
<b>Turning Radius (to Front Corner of Vehicle)</b> .....	67 ft.
<b>Brakes (Spring-set for Emergency and Parking)</b> .....	Air
Rear	4 Brakes; 20 1/2 in. dia. x 7 in. wide
Front	6 Brakes; 17 in. dia. x 4 in. wide
<b>Tires (Tube)</b> .....	14:00 x 24, 18-P.R.
<b>Guide Rails for undecking turntable</b> .....	Available

## BOOM EQUIPMENT

<b>Crane Boom</b>	Square-Tubular-Chord	
Design	Pin-Connected	
Type of Connection	33 ft; 30-ft. base, 3 ft. top	
Basic Length—Hammerhead Boom	90 ft; 30-ft. base, 60 ft. (2 pc) top	
Long Tapered Boom	Number of Hoist Line Sheaves on Anti-Friction Bearings	
	Hammerhead Boom	6
	Long Tapered Boom	4
	(Additional Sheave Available for Hammerhead Boom)	

<b>Jib</b>	Two-Piece*Pin-Connected Type	30 ft.
	*Extendible with 10-ft. & 20-ft. Center Sections to 70 ft.	

### Lifting Crane Component

Lagging	21 in. and 25 in. P.D. Full Width
Floating Harness	16 Parts of Line
Boom Stops	Telescopic Type
Swing Brake	Standard
Harness Extending Cylinder	Standard
Retarder	Standard
Power Load Lowering Both Hoist Drums	Available
Third Drum	Available
High Speed Hoist	Available

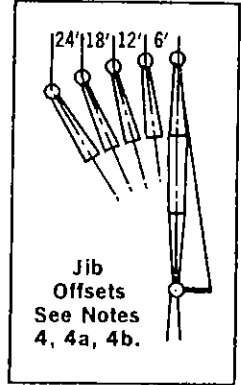
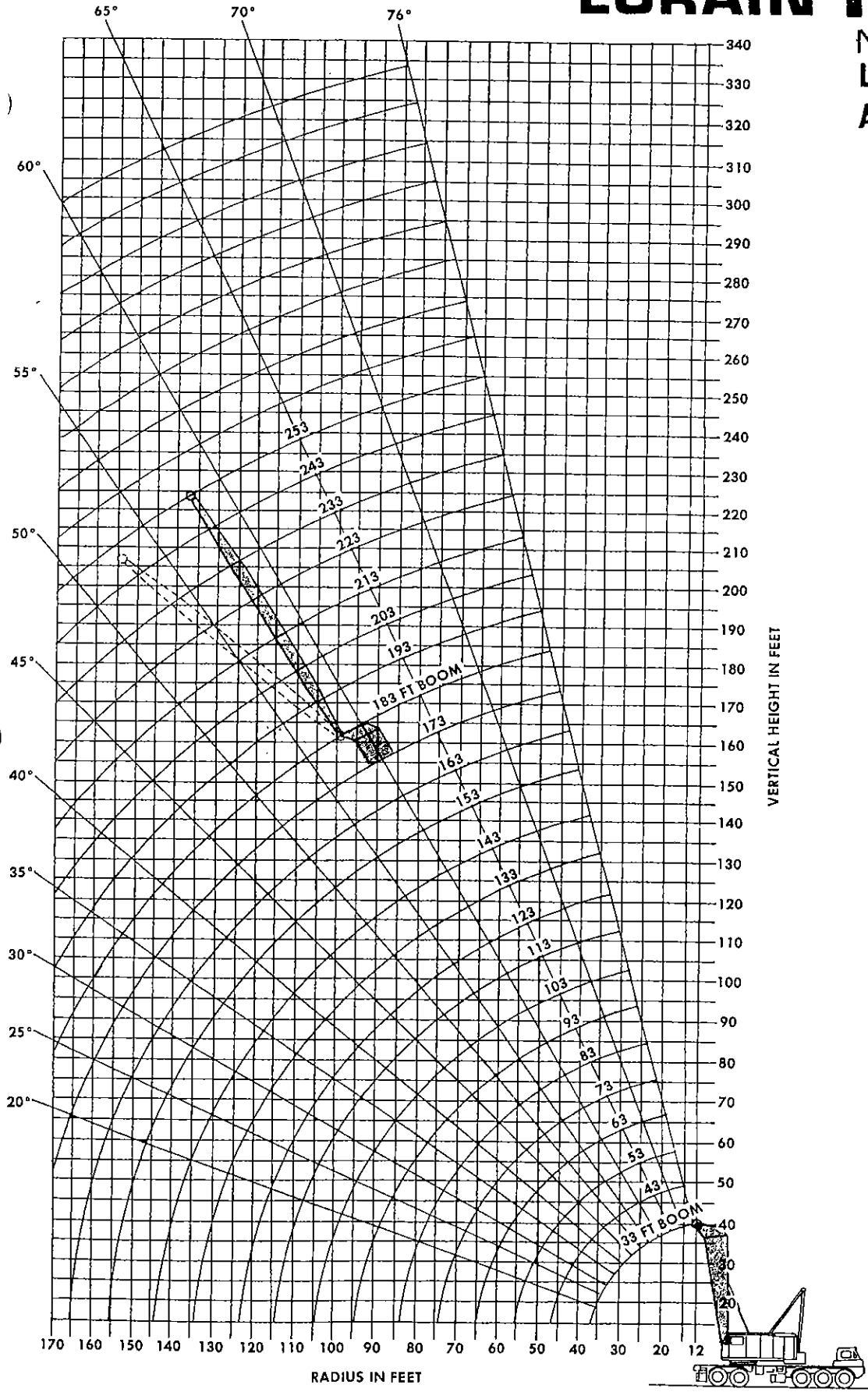
## APPROXIMATE SHIPPING WEIGHTS\*

Standard Equipped Machines with Basic Boom  
 Lifting Crane (Hammerhead Boom) ..... 201,500 lbs.  
 \*Total weight of unit may be reduced 58,600 lbs. by taking off removable counterweights for road travel—(hydraulic removal kit included.) Additional reductions may be made by removal of outriggers boxes and beams and undecking turntable.

VALUE IS OUR FIRST SPECIFICATION

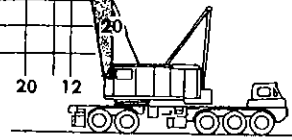
# LORAIN MC-8150

## MOTO-CRANE LIFTING CAPACITIES AND WORKING RANGES



**D-21 BOOM  
WORKING  
RANGES  
MC-8150  
10 X 4**

**HAMMERHEAD  
BOOM**



# MC-8150 WITH D-21 HAMMERHEAD BOOM - 10 X 4 CRANE LIFTING CAPACITIES - POUNDS

<b>MAXIMUM COUNTERWEIGHT</b>											
Boom Length	Radius	Boom Angle	With Outriggers Over Rear And Side	Boom Length	Radius	Boom Angle	With Outriggers Over Rear And Side	Boom Length	Radius	Boom Angle	With Outriggers Over Rear And Side
33 Ft.	12	82.5	300000	123 Ft.	30	79.4	123400	<b>CAPACITIES BELOW INCLUDE JIB (See Note 4a)</b>			
	15	73.2	248300		40	74.6	81000				
	20	68.0	193400		50	69.6	58900	193 Ft.	40	80.2	30000
	25	57.9	155000		60	64.6	45600		50	77.2	30000
	30	45.9	126200		70	59.3	36700		60	74.2	30000
43 Ft.	15	80.2	247500		80	53.7	30300		80	67.8	20000
	20	73.2	192800		90	47.6	25400		100	61.3	19900
	25	66.1	154500		100	40.7	21700	120	54.2	14400	
	30	58.4	126100		110	32.7	18700	140	46.4	10600	
	40	39.6	82600		120	22.0	16200	160	37.4	7800	
53 Ft.	15	82.0	247000	133 Ft.	30	80.2	116800	180	25.7	5700	
	20	76.5	192300		40	75.8	80800	190	17.4	4800	
	25	70.8	154000		50	71.4	58700	203 Ft.	45	79.1	30000
	30	64.9	125900		60	66.7	45400		50	77.9	30000
	40	51.9	82400		70	61.9	36500		60	75.0	30000
50	35.1	60500	80	56.9	30000	80	69.0		20000		
63 Ft.	20	78.7	191900	143 Ft.	90	51.5	25200		100	62.9	19600
	25	74.1	153500		100	45.6	21400	120	56.3	14100	
	30	69.2	125700		110	39.0	18400	140	49.1	10300	
	40	58.9	82200		120	31.4	16000	160	41.0	7600	
	50	47.2	60300		130	21.1	13900	180	31.3	5400	
	60	31.9	47100		153 Ft.	35	78.9	98200	200	16.9	3800
73 Ft.	20	80.2	191400	40		76.9	80600	213 Ft.	45	79.8	30000
	25	76.3	153100	50		72.7	58500		50	78.4	30000
	30	72.2	125600	60		68.3	45200		60	75.7	30000
	40	63.6	82000	70		64.0	36200		80	70.1	20000
	50	54.3	60100	80		59.5	29800		100	64.2	19400
	60	43.4	46800	90		54.7	24900		120	58.0	13900
83 Ft.	20	81.3	184700	100		49.5	21200	140	51.4	10100	
	25	77.9	152300	110		43.9	18200	160	44.1	7300	
	30	74.3	125400	120		37.6	15700	180	35.5	5200	
	40	66.9	81800	130	30.2	13700	200	24.4	3500		
	50	59.1	59800	163 Ft.	35	79.7	96400	223 Ft.	45	80.2	22000
	60	50.5	46600		40	77.7	80400		50	79.0	22000
	70	40.4	37700		50	73.9	58300		60	76.4	22000
	80	27.4	31300		60	69.9	44900		80	71.0	14000
93 Ft.	25	79.2	151800		70	65.8	36000		100	65.4	14000
	30	76.0	125300		80	61.7	29500		120	59.7	13600
	40	69.4	81600		90	57.3	24700		140	53.5	9800
	50	62.8	59600		100	52.7	20900		160	46.7	7000
	60	55.5	46400	110	47.7	17900	180	39.0	4900		
	70	47.4	37500	120	42.3	15400	233 Ft.	50	79.4	15000	
80	38.0	31000	130	36.3	13400	60		76.9	15000		
90	25.7	26200	140	29.1	11700	80		71.8	10000		
103 Ft.	25	80.2	149800	150	19.6	10200		100	66.5	10000	
	30	77.4	125100	173 Ft.	40	78.4		80200	120	61.0	10000
	40	71.7	81400		50	74.9		58000	140	55.2	9500
	50	65.6	59400		60	71.2	44700	160	49.0	6700	
	60	59.3	46100		80	63.5	29300	180	42.0	4600	
	70	52.5	37200		100	55.9	20700	243 Ft.	50	79.8	12000
80	44.9	30800	120		46.1	15200	60		77.5	12000	
90	36.0	25900	140	35.0	11400	80	72.6		8000		
100	24.3	22200	160	18.9	8600	100	67.5		8000		
113 Ft.	25	81.0	140900	170	18.2	7300	120		62.4	8000	
	30	78.5	124900	183 Ft.	40	79.2	80000		140	56.9	8000
	40	73.3	81200		50	75.8	57800	160	51.0	6500	
	50	67.8	59200		60	72.4	44400	180	44.6	4300	
	60	62.3	45900		80	65.2	29100	253 Ft.	50	80.0	10000
	70	56.3	37000		100	57.7	20400		60	77.7	10000
	80	49.9	30500		120	49.3	14900		80	73.1	7000
	90	42.7	25700		140	39.7	11100		100	68.1	7000
	100	34.2	21900		160	27.4	8400		120	63.3	7000
	110	23.1	18900		180	17.6	6000		140	58.1	7000
								160	52.6	6200	
							180	46.6	4100		

# STANDARD COUNTERWEIGHT (24,100 LBS.)

Boom Length	Radius	Boom Angle	With Outriggers		Without Outriggers		Boom Length	Radius	Boom Angle	With Outriggers		Without Outriggers		Boom Length	Radius	Boom Angle	With Outriggers		Without Outriggers	
			Over Rear	Over Side	Over Rear	Over Side				Over Rear	Over Side	Over Rear	Over Side				Over Rear	Over Side		
33 Ft.	12	82.5	300000	122900	117700	123 Ft.	30	79.4	88200	33900	29400	<b>CAPACITIES BELOW INCLUDE JIB (See Note 4a)</b>								
	15	73.2	224500	90100	83600		40	74.6	56000	22500	19000									
	20	68.0	171300	61600	55500		50	69.6	39600	15900	13100									
	25	57.9	120600	46200	40900		60	64.6	29900	11700	9300									
	30	45.9	89600	36600	32000		70	59.3	23400	8800	6700									
43 Ft.	15	80.2	224000	89800	83400		80	53.7	18900	6600	4700	193 Ft.	40	80.2	30000	20400	16900			
	20	73.2	170800	61300	55300		90	47.6	15500	4900	3200		50	77.2	30000	13900	11000			
	25	66.1	120500	45900	40600		100	40.7	12800	3600	60		74.2	28300	9600	7300				
	30	58.4	89500	36300	31700		110	32.7	10700		80		67.8	17200	4500					
	40	39.6	57400	24900	21300		120	22.0	9000		100		61.3	11100						
53 Ft.	15	82.0	223800	89500	83100		133 Ft.	30	80.2	88000	33600	29100	203 Ft.	45	79.1	30000	16400	13300		
	20	76.5	170400	6100	55000			40	75.8	55800	22200	18700		50	77.9	30000	13600	10800		
	25	70.8	120400	45600	40300			50	71.4	39400	15700	12800		60	75.0	28100	9400	7000		
	30	64.9	89300	36000	31400	60		66.7	29600	11400	9000	80		69.0	16900	4200				
	40	51.9	57200	24600	21000	70		61.9	23200	8500	6400	100		62.9	10800					
63 Ft.	20	78.7	170000	60700	54700	80		56.9	18600	6300	4400	213 Ft.		45	79.8	30000	16100	13100		
	25	74.1	120200	45300	40100	90		51.5	15200	4600	3000			50	78.4	30000	13300	10500		
	30	69.2	89100	35700	31100	100		45.6	12600	3300	60			75.7	27800	9100	6700			
	40	58.9	57100	24300	20700	110		39.0	10500		80			70.1	16700	3900				
	60	31.9	31200	13500	11000	120		31.4	8800		100			64.2	10500					
73 Ft.	20	80.2	169500	60400	54400	143 Ft.		35	78.9	68800	26700	22700		223 Ft.	45	80.2	22000	15800	12800	
	25	76.3	120100	45000	39800			40	76.9	55600	21900	18400			50	79.0	22000	13000	10200	
	30	72.2	89000	35400	30800			50	72.7	39200	15400	12500			60	76.4	22000	8800	6400	
	40	63.6	56900	24000	20400		60	68.3	29400	11100	8700	80	71.0		14000	3600				
	50	54.3	40600	17400	14500		70	64.0	23000	8200	6100	100	65.4		10300					
83 Ft.	20	81.3	169000	60100	54100		80	59.5	18400	6000	4200	233 Ft.	50		79.4	15000	12700	9900		
	25	77.9	120000	44700	39500		90	54.7	15000	4300	60		76.9		15000	8500	6100			
	30	74.3	88800	35100	30500		100	49.5	12300		80		71.8		10000	3300				
	40	66.9	56700	23700	20100		110	43.9	10200		100		66.5		10000					
	50	59.1	40400	17100	14200		120	37.6	8500		120		61.0		6100					
93 Ft.	25	79.2	119900	44400	39200		153 Ft.	35	79.7	68600	26400	22500	243 Ft.		50	79.8	12000	12000	9600	
	30	76.0	88700	34800	30200			40	77.7	55400	21600	18100			60	77.5	12000	8200	5800	
	40	69.4	56500	23400	19800			50	73.9	39000	15100	12200			80	72.6	8000	3000		
	50	62.8	40200	16800	13900	60		69.9	29200	10800	8400	100		67.5	8000					
	60	55.5	30500	12600	10200	70		65.8	22700	7900	5800	120		62.4	5900					
103 Ft.	25	80.2	119800	44100	38900	80		61.7	18200	5700	3900	253 Ft.	50	80.0	10000	10000	9300			
	30	77.4	88500	34500	30000	90		57.3	14700	4000	60		77.7	10000	7900	5500				
	40	71.7	56300	23100	19500	100		52.7	12100		80		73.1	7000						
	50	65.6	40000	16500	13600	110		47.7	10000		100		68.1	7000						
	60	59.3	30300	12300	9900	120		42.3	8200		120		63.3	5600						
113 Ft.	25	81.0	119700	43800	38600	163 Ft.		40	78.4	55300	21300	17800	173 Ft.	50	79.2	55100	21000	17500		
	30	78.5	88300	34200	29700			50	74.9	38700	14800	11900		60	75.8	38500	14500	11600		
	40	73.3	56200	22800	19200			60	71.2	29000	10500	8100		80	72.4	28700	10200	7800		
	50	67.8	39800	16200	13400		80	63.5	17900	5400	3600	100		65.2	17700	5100	3300			
	60	62.3	30100	12000	9600		100	55.9	11800			120		57.7	11600					
123 Ft.	25	82.0	119600	43500	38300		183 Ft.	40	79.7	54900	20700	17200	183 Ft.	40	79.7	54900	20700	17200		
	30	79.1	88100	34000	29400			50	76.6	38300	14200	11300		50	76.6	38300	14200	11300		
	40	74.1	56100	22700	19000			60	73.3	28500	9900	7600		60	73.3	28500	9900	7600		
	50	68.1	40100	16100	13100			80	66.6	17400	4800	3000		80	66.6	17400	4800	3000		
	60	62.1	30100	12000	9600			100	59.6	11300				100	59.6	11300				
133 Ft.	25	83.0	119500	43200	38000			120	52.0	7400			193 Ft.	40	80.2	30000	20400	16900		
	30	80.1	88000	33800	29100			140	43.4	4800				50	77.2	30000	13900	11000		
	40	75.1	56000	22600	18900									60	74.2	28300	9600	7300		
	50	69.1	40000	16000	13000							80		67.8	17200	4500				
	60	63.1	30000	12000	9600							100		61.3	11100					

See Notes  
Page

# NOTES

1. The rated loads as determined by boom length, radius and weight of load apply to this machine as originally manufactured and equipped and as mounted on a Lorain manufactured MC-8150, 10 x 4 carrier. **THEY ARE MAXIMUM** lifting capacities and comply with standards of the Power Crane & Shovel Association as issued by the U.S. Department of Commerce Commercial Standard CS90-58 and the SAE Crane Load Stability Test Code J765.
- 1a. Do not exceed the "over-the-rear" capacities when lifting over a corner.
- 1b. All lifting must be done with gantry erected.
- 1c. Maximum counterweight suitable for lifting crane service only. **OUTRIGGERS MUST BE FULLY EXTENDED.**
- 1d. Standard counterweight suitable for lifting crane, dragline and clamshell service.
- 1e. The total weight of bucket plus load must not exceed the rated "without outriggers" lifting capacities up to a maximum of 15,000 lbs. for dragline service and 18,000 lbs. for clamshell service.
2. Load-handling devices are part of the load. For jib, see notes 4, 4a and 4b.
3. Maximum length of main boom ..... 183 ft.
4. Jibs may be used straight or goosenecked. 30 ft. jib is two-piece and may be extended to 70 ft. with center sections. The following data apply:

Jib Lgth.	Radius	Max. Lgth. of Boom Incl. Jib		Maximum Lifting Capacity (Lbs.)					Weight of Jib & Backstays
		Std. Cwt.	Max. Cwt.	Offset From Extended Centerline of Boom					
				0 Ft.	6 Ft.	12 Ft.	18 Ft.	24 Ft.	
30 Ft.	Up thru 70'	213 ft.	213 ft.	30000	30000	30000			1980 lbs.
	Over 70'			20000	20000	20000			
40 Ft.	Up thru 70'	223 ft.	223 ft.	22000	22000	22000	16000		2350 lbs.
	Over 70'			14000	14000	14000	10000		
50 Ft.	Up thru 70'	233 ft.	233 ft.	15000	15000	15000	14000	12000	2560 lbs.
	Over 70'			10000	10000	10000	9000	8000	
60 Ft.	Up thru 70'	243 ft.	243 ft.	12000	12000	11000	10000	9000	2900 lbs.
	Over 70'			8000	8000	7500	7000	6000	
70 Ft.	Up thru 70'	253 ft.	253 ft.	10000	9000	8000	7000	6000	3150 lbs.
	Over 70'			7000	6500	6000	5500	4500	

- 4a. Capacities for jibs are the same as for the boom length which is equal to the length of main boom plus jib, but in no case may they exceed the capacities shown in note 4.

- 4b. With jib installed, lifting capacities over main boom head must be reduced as follows:
 

2070 lbs. for 30 ft. jib	3200 lbs. for 60 ft. jib
2500 lbs. for 40 ft. jib	3500 lbs. for 70 ft. jib
2770 lbs. for 50 ft. jib	

5. With gantry erected (25 ft. 0 in. overall height), the following maximum lengths may be carried\* over the rear:
 

Standard counterweight
103 ft. boom without jib
93 ft. boom and 30 ft. jib
83 ft. boom and 70 ft. jib
Speed restricted to 5 MPH max.
Maximum counterweight
153 ft. boom without jib
133 ft. boom and 40 ft. jib
123 ft. boom and 70 ft. jib

Speed restricted to low-low gear.  
\*For straight back and forward movement. Remove 10 ft. of boom from that specified for conditions which require maneuverability.

With gantry lowered (13 ft. 4 1/2 in. overall height without jib, 19 ft. 0 in. overall height with jib), the following maximum lengths may be carried over the rear:

- |                                |
|--------------------------------|
| Standard counterweight         |
| 93 ft. boom without jib        |
| 93 ft. boom with 30 ft. jib    |
| 83 ft. boom with 70 ft. jib    |
| Speed restricted to 5 MPH max. |

- |                                   |
|-----------------------------------|
| Maximum counterweight             |
| 93 ft. boom without jib           |
| 93 ft. boom with 70 ft. jib       |
| Speed restricted to low-low gear. |

6. With outriggers set and gantry erected, the following maximum boom lengths may be raised unassisted, from horizontal over the rear:
 

Standard counterweight
183 ft. boom without jib
163 ft. boom and 40 ft. jib
153 ft. boom and 70 ft. jib
Maximum counterweight
183 ft. boom without jib
183 ft. boom and 70 ft. jib
- 6a. For boom and jib combinations longer than shown in Note 6 and up to 183 ft. boom and 70 ft. jib, rear auxiliary outriggers are required.
7. Minimum number of parts of hoist line to be determined by dividing the load to be lifted by 25,000 lbs. for 1 in. hoist cable with breaking strength of 44.9 tons.



Koehring  
Lorain Division  
Lorain, Ohio 44055

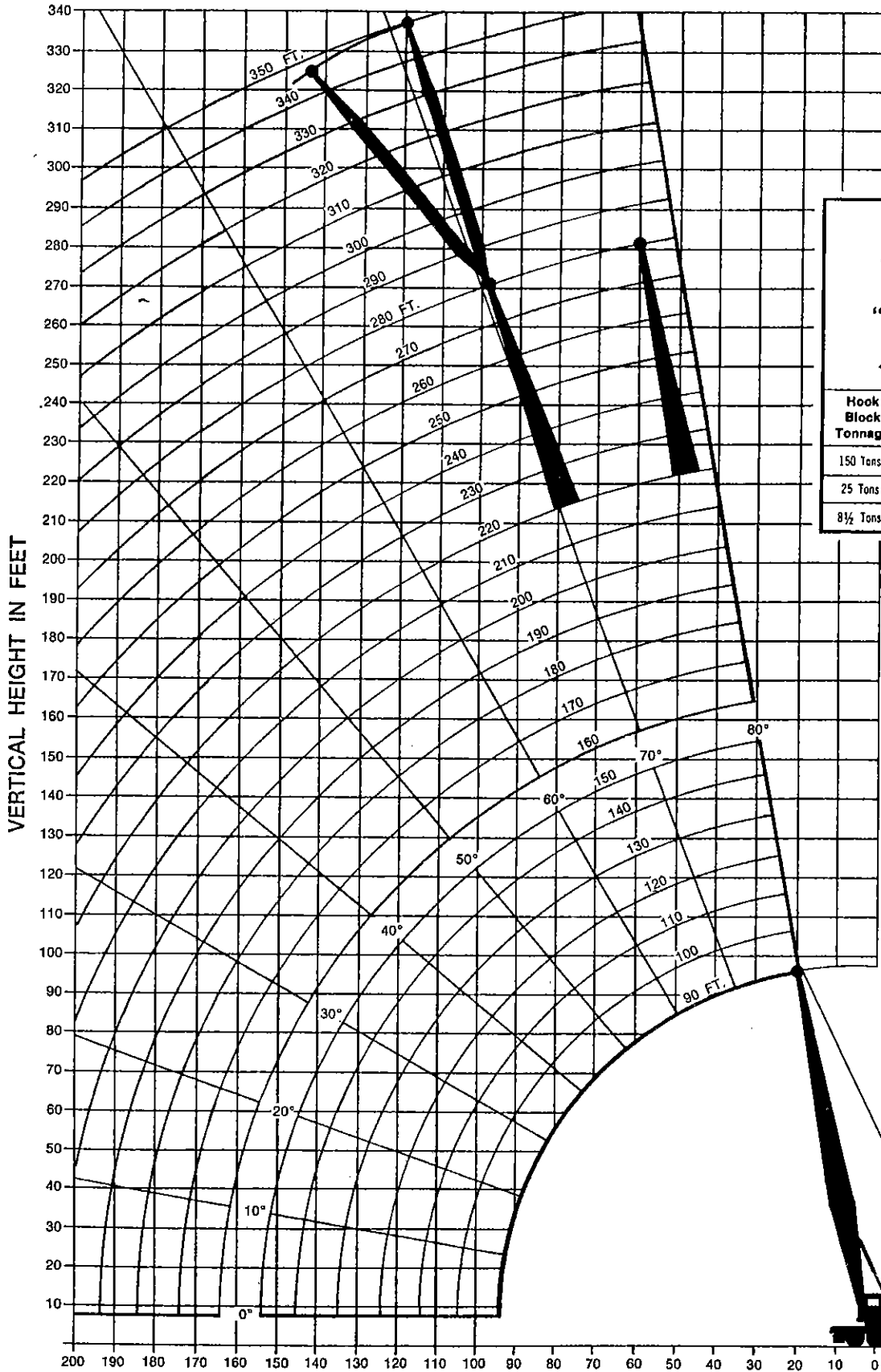
# LORAIN

strong on performance

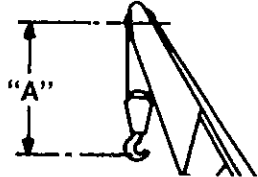
# MC-8150

# MOTO-CRANE<sup>®</sup>

## LOAD RATINGS



**HOOK BLOCK CLEARANCES**



Hook Block Tonnage	Number of Sheaves	Hook Block Weight	Dimension "A"
150 Tons	6	3000 Lbs.	10'-3"
25 Tons	1	1145 Lbs.	8'-0"
8½ Tons	None	615 Lbs.	6'-0"

**LONG TAPERED  
PEAK BOOM**

**MC-8150  
10 X 4**

**RADIUS IN FEET**  
**WORKING RANGES**

# CRANE LOAD RATINGS - POUNDS

## MAXIMUM COUNTERWEIGHT (58,600 LBS.)

Boom Rad. Ft.	Boom Ang. Deg.	Boom Peak Height Ft.	With Outriggers	
			Over Rear	Over Side
<b>90 Ft. Boom</b>				
20	79.6	95.5	191600*	191600*
25	76.3	94.5	154900*	154900*
30	73.0	93.1	126800	126800
40	66.2	89.4	83100	83100
50	59.1	84.2	61100	61100
60	51.3	77.3	47800	47800
70	42.6	67.9	38900	38900
80	32.1	54.8	32500	32500
90	16.6	32.7	27600	27600
<b>100 Ft. Boom</b>				
25	77.7	104.7	154400*	154400*
30	74.8	103.5	126500	126500
40	68.7	100.2	82800	82800
50	62.5	95.7	60800	60800
60	55.8	89.7	47500	47500
70	48.5	81.9	38600	38600
80	40.3	71.7	32200	32200
90	30.4	57.6	27300	27300
100	15.7	34.1	23600	23600
<b>110 Ft. Boom</b>				
25	78.9	114.9	153600*	153600*
30	76.2	113.8	126300	126300
40	70.8	110.9	82500	82500
50	65.1	106.8	60500	60500
60	59.2	101.5	47200	47200
70	53.0	94.8	38300	38300
80	46.1	86.3	31800	31800
90	38.4	75.3	27000	27000
100	29.0	60.3	23300	23300
110	15.0	35.5	20300	20300
<b>120 Ft. Boom</b>				
30	77.4	124.1	126100	126100
40	72.4	121.4	82300	82300
50	67.3	117.7	60200	60200
60	62.0	113.0	46900	46900
70	56.5	107.1	38000	38000
80	50.5	99.7	31500	31500
90	44.0	90.4	26700	26700
100	36.7	78.7	22900	22900
110	27.7	62.8	19900	19900
120	14.4	36.8	17500	17500
<b>130 Ft. Boom</b>				
30	78.4	134.3	125400*	125400*
40	73.8	131.8	82000	82000
50	69.2	128.5	59900	59900
60	64.4	124.2	46600	46600
70	59.4	118.9	37700	37700
80	54.1	112.3	31200	31200
90	48.4	104.3	26400	26400
100	42.2	94.4	22600	22600
110	35.2	81.9	19600	19600
120	26.6	65.2	17200	17200
130	13.8	38.0	15100	15100
<b>140 Ft. Boom</b>				
35	77.1	143.5	99300	99300
40	75.0	142.2	81700	81700
50	70.7	139.1	59600	59600
60	66.3	135.2	46300	46300
70	61.8	130.3	37400	37400
80	57.0	124.4	30900	30900
90	52.0	117.3	26100	26100
100	46.6	108.7	22300	22300
110	40.6	98.2	19000	19000
120	33.9	85.0	16800	16800
130	25.6	67.5	14800	14800
140	13.3	39.2	13100	13100

Boom Rad. Ft.	Boom Ang. Deg.	Boom Peak Height Ft.	With Outriggers	
			Over Rear	Over Side
<b>150 Ft. Boom</b>				
35	78.0	153.7	99100	99100
40	76.0	152.6	81500	81500
50	72.0	149.7	59300	59300
60	68.0	146.1	46000	46000
70	63.8	141.6	37100	37100
80	59.4	136.2	30600	30600
90	54.9	129.7	25800	25800
100	50.1	122.0	22000	22000
110	44.9	112.9	19000	19000
120	39.2	101.8	16500	16500
130	32.7	88.0	14500	14500
140	24.7	69.7	12700	12700
150	12.8	40.3	11300	11300
<b>160 Ft. Boom</b>				
40	76.9	162.8	81200	81200
50	73.2	160.2	59000	59000
60	69.4	156.8	45700	45700
80	61.5	147.7	30300	30300
100	53.0	134.8	21700	21700
120	43.4	116.9	16200	16200
140	31.6	90.9	12400	12400
160	12.4	41.4	9700	9700
<b>170 Ft. Boom</b>				
40	77.7	173.1	80900	80900
50	74.2	170.6	58700	58700
60	70.7	167.4	45400	45400
80	63.4	158.9	30000	30000
100	55.5	147.1	21400	21400
120	46.9	131.0	15900	15900
140	36.7	108.7	12100	12100
160	23.2	74.0	9300	9300
170	12.1	42.5	8100	8000
<b>180 Ft. Boom</b>				
40	78.4	183.3	80600*	80600*
50	75.1	181.0	58400	58400
60	71.8	178.0	45100	45100
80	64.9	170.1	29700	29700
100	57.7	159.1	21000	21000
120	49.8	144.4	15600	15500
140	40.8	124.6	11800	11700
160	29.8	96.4	9000	9000
180	11.7	43.6	6900	6800
<b>190 Ft. Boom</b>				
40	79.0	193.5	76100*	76100*
50	75.9	191.3	58200	58200
60	72.8	188.5	44800	44800
80	66.3	181.0	29400	29400
100	59.6	170.8	20700	20700
120	52.3	157.3	15200	15200
140	44.2	139.4	11400	11400
160	34.7	115.1	8700	8600
180	21.9	78.0	6600	6500
190	11.4	44.6	5600	5500
<b>200 Ft. Boom</b>				
45	78.1	202.7	66600*	66600*
50	76.6	201.6	57900	57900
60	73.7	198.9	44500	44500
80	67.6	191.9	29100	29000
100	61.2	182.3	20400	20300
120	54.5	169.7	14900	14800
140	47.1	153.4	11100	11000
160	38.6	131.8	8300	8300
180	28.2	101.5	6200	6100
200	11.1	45.5	4600	4500

Boom Rad. Ft.	Boom Ang. Deg.	Boom Peak Height Ft.	With Outriggers	
			Over Rear	Over Side
<b>210 Ft. Boom</b>				
45	78.7	212.9	62800	62800
50	77.3	211.8	57600	57600
60	74.5	209.3	44200	44200
80	68.7	202.7	28800	28700
100	62.7	193.6	20100	20000
120	56.4	181.9	14600	14500
140	49.5	166.8	10800	10700
160	41.9	147.3	8000	7900
180	32.9	121.2	5900	5800
200	20.8	81.7	4200	4100
<b>220 Ft. Boom</b>				
50	77.9	222.1	56000*	56000*
60	75.2	219.7	43900	43900
80	69.7	213.4	28500	28400
100	64.1	204.8	19800	19700
120	58.1	193.8	14300	14100
140	51.7	179.7	10500	10300
160	44.7	161.9	7700	7500
180	36.8	138.7	5600	5400
200	26.9	106.4	3900	3700
<b>230 Ft. Boom</b>				
50	78.4	232.3	53100*	53100*
60	75.8	230.0	43400	43400
80	70.6	224.0	28100	28000
100	65.3	215.9	19400	19300
120	59.6	205.5	13900	13800
140	53.7	192.3	10100	10000
160	47.2	175.8	7300	7200
180	40.0	154.8	5200	5100
200	31.4	126.9	3500	3400
<b>240 Ft. Boom</b>				
50	78.9	242.5	50000*	50000*
60	76.4	240.3	43100*	43100*
80	71.5	234.6	27800	27700
100	66.4	226.9	19100	19000
120	61.0	217.0	13600	13400
140	55.4	204.6	9800	9600
160	49.4	189.2	7000	6800
180	42.7	169.9	4900	4700
<b>250 Ft. Boom</b>				
55	78.2	251.7	43100*	43100*
60	77.0	250.6	40300*	40300*
80	72.2	245.1	27500	27400
100	67.4	237.7	18800	18600
120	62.3	228.3	13200	13100
140	57.0	216.6	9400	9300
160	51.3	202.2	6700	6500
180	45.2	184.3	4500	4300
<b>260 Ft. Boom</b>				
55	78.6	261.9	40800*	40800*
60	77.5	260.8	38100*	38100
80	72.9	255.6	27100	27100
100	68.3	248.5	18400	18300
120	63.4	239.6	12900	12800
140	58.4	228.4	9100	8900
160	53.1	214.8	6300	6100
180	47.3	198.1	4200	4000
<b>270 Ft. Boom</b>				
55	79.1	272.1	38500*	38500*
60	78.0	271.1	36000*	36000*
80	73.6	266.0	26800	26700
100	69.1	259.3	18100	18000
120	64.5	250.7	12600	12400
140	59.7	240.1	8800	8600
160	54.6	227.2	6000	5800
180	49.2	211.5	3900	3600



**CRANE LOAD RATINGS - POUNDS**  
**MAXIMUM COUNTERWEIGHT (58,600 LBS.)**  
 (Continued)

**CRANE LOAD RATINGS - POUNDS**  
**STANDARD COUNTERWEIGHT (24,100 LBS.)**

Boom Rad. Ft.	Boom Ang. Deg.	Boom Peak Height Ft.	With Outriggers	
			Over Rear	Over Side
<b>280 Ft. Boom</b>				
60	78.4	281.3	33800*	33800*
80	74.2	276.4	26100*	26100*
100	69.9	269.9	17800	17600
120	65.5	261.7	12300	12100
140	60.9	251.6	8500	8200
160	56.1	239.3	5700	5400
180	51.0	224.6	3500	3300
Load Ratings Below Include Jib				
<b>290 Ft. Boom</b>				
60	78.8	291.5	30000*	30000*
80	74.8	286.3	20000*	20000*
100	70.6	280.6	17000*	17000*
120	66.4	272.7	12000	11700
140	62.0	263.0	8100	7900
160	57.4	251.3	5300	5100
<b>300 Ft. Boom</b>				
60	79.2	301.7	30000*	30000*
80	75.3	297.1	20000*	20000*
100	71.3	291.1	15400*	15400*
120	67.2	283.6	11600*	11400
140	63.0	274.3	7800	7500
160	58.6	263.1	5000	4700
<b>310 Ft. Boom</b>				
60	79.5	311.9	28200*	28200*
80	75.8	307.5	19200*	19200*
100	71.9	301.7	14700*	14700*
120	68.0	294.4	10600*	10600*
140	63.9	285.5	7600*	7200
160	59.7	274.7	4800	4400
<b>320 Ft. Boom</b>				
60	79.9	322.0	22000*	22000*
80	76.2	317.8	14000*	14000*
100	72.5	312.2	13200*	13200*
120	68.7	305.1	9100*	9100*
140	64.8	296.5	6500*	6500*
160	60.8	286.3	4100*	4000
<b>330 Ft. Boom</b>				
60	80.2	332.2	15000*	15000*
80	76.6	328.1	10000*	10000*
100	73.0	322.7	10000*	10000*
120	69.4	315.8	8200*	8200*
140	65.6	307.6	5400*	5400*
160	61.7	297.7	3100*	3100*
<b>340 Ft. Boom</b>				
60	80.5	342.3	12000*	12000*
80	77.0	338.3	8000*	8000*
100	73.6	333.1	8000*	8000*
120	70.0	326.5	6900*	6900*
140	66.4	318.5	4000*	4000*
<b>350 Ft. Boom</b>				
60	80.8	352.5	10000*	10000*
80	77.4	348.6	7000*	7000*
100	74.0	343.5	7000*	7000*
110	72.3	340.5	7000*	7000*
120	70.6	337.1	5700*	5700*

Boom Rad. Ft.	Boom Ang. Deg.	Boom Peak Height Ft.	With Outriggers		Without Outriggers	
			Over Rear	Over Side	Over Rear	Over Side
<b>90 Ft. Boom</b>						
20	79.6	95.5	170200*	170200*	61200	55300
25	76.3	94.5	121400	121400	45800	40600
30	73.0	93.1	90100	90100	36200	31700
40	66.2	89.4	58000	58000	24800	21200
50	59.1	84.2	41700	41700	18300	15400
60	51.3	77.3	32000	32000	14000	11600
70	42.6	67.9	25600	25600	11100	9000
80	32.1	54.8	21100	21100	8900	7000
90	16.6	32.7	17700	17700	7200	5500
<b>100 Ft. Boom</b>						
25	77.7	104.7	121200	121200	45400	40300
30	74.8	103.5	88900	88900	35800	31300
40	68.7	100.2	57800	57800	24400	20900
50	62.5	95.7	41400	41400	17900	15000
60	55.8	89.7	31700	31700	13700	11200
70	48.5	81.9	25300	25300	10700	8600
80	40.3	71.7	20800	20800	8500	6700
90	30.4	57.6	17400	17400	6900	5200
100	15.7	34.1	14700	14700	5500	4000
<b>110 Ft. Boom</b>						
25	78.9	114.9	121000	121000	45100	39900
30	76.2	113.8	89700	89700	35500	31000
40	70.8	110.9	57500	57500	24100	20500
50	65.1	106.8	41100	41100	17500	14700
60	59.2	101.5	31400	31400	13300	10900
70	53.0	94.8	25000	25000	10400	8300
80	46.1	86.3	20500	20500	8200	6300
90	38.4	75.3	17100	17100	6500	4800
100	29.0	60.3	14400	14400	5200	3700
110	15.0	35.5	12300	12300	4100	
<b>120 Ft. Boom</b>						
30	77.4	124.1	89400	89400	35100	30600
40	72.4	121.4	57300	57300	23700	20200
50	67.3	117.7	40800	40800	17200	14300
60	62.0	113.0	31100	31100	13000	10500
70	56.5	107.1	24700	24700	10000	7900
80	50.5	99.7	20100	20100	7800	6000
90	44.0	90.4	16700	16700	6100	4500
100	36.7	78.7	14100	14100	4800	3300
110	27.7	62.8	12000	12000	3700	
120	14.4	36.8	10300	10300		
<b>130 Ft. Boom</b>						
30	78.4	134.3	89200	89200	34700	30300
40	73.8	131.8	57000	57000	23400	19900
50	69.2	128.5	40600	40600	16800	14000
60	64.4	124.2	30800	30800	12600	10200
70	59.4	118.9	24400	24400	9700	7600
80	54.1	112.3	19800	19800	7500	5600
90	48.4	104.3	16400	16400	5800	4100
100	42.2	94.4	13800	13800	4500	3000
110	35.2	81.9	11700	11700	3400	
120	26.6	65.2	9900	9900		
130	13.8	38.0	8500	8500		
<b>140 Ft. Boom</b>						
35	77.1	143.5	69900	69900	27800	23900
40	75.0	142.2	56800	56800	23000	19500
50	70.7	139.1	40300	40300	16500	13600
60	66.3	135.2	30500	30500	12300	9900
70	61.8	130.3	24100	24100	9300	7200
80	57.0	124.4	19500	19500	7100	5300
90	52.0	117.3	16100	16100	5400	3800
100	46.6	108.7	13500	13500	4100	
110	40.6	98.2	11200	11200		
120	33.9	85.0	9600	9600		
130	25.6	67.5	8200	8200		
140	13.3	39.2	7000	7000		

# CRANE LOAD RATINGS - POUNDS

## STANDARD COUNTERWEIGHT (24,100 LBS.)

(Continued)

Boom Rad. Ft.	Boom Ang. Deg.	Boom Peak Height Ft.	With Outriggers		Without Outriggers	
			Over Rear	Over Side	Over Rear	Over Side
<b>150 Ft. Boom</b>						
35	78.0	153.7	69700	69700	27400	23500
40	76.0	152.6	56500	56500	22700	19200
50	72.0	149.7	40000	40000	16100	13300
60	68.0	146.1	30300	30300	11900	9500
70	63.8	141.6	23800	23800	9000	6900
80	59.4	136.2	19200	19200	6800	4900
90	54.9	129.7	15800	15800	5100	3500
100	50.1	122.0	13200	13200	3800	
110	44.9	112.9	11000	11000		
120	39.2	101.8	9300	9300		
130	32.7	88.0	7900	7900		
140	24.7	69.7	6700	6700		
150	12.8	40.3	5600	5600		
<b>160 Ft. Boom</b>						
40	76.9	162.8	56300	56300	22300	18800
50	73.2	160.2	39700	39700	15800	12900
60	69.4	156.8	30000	30000	11600	9200
80	61.5	147.7	18900	18900	6400	4600
100	53.0	134.8	12800	12800	3400	
120	43.4	116.9	9000	9000		
140	31.6	90.9	6300	6300		
160	12.4	41.4	4400	4400		
<b>170 Ft. Boom</b>						
40	77.7	173.1	56000	56000	21900	18500
50	74.2	170.6	39500	39500	15400	12600
60	70.7	167.4	29700	29700	11200	8800
80	63.4	158.9	18600	18600	6100	4200
100	55.5	147.1	12500	12500	3100	
120	46.9	131.0	8700	8700		
140	36.7	108.7	6000	6000		
160	23.2	74.0	4100	4100		
170	12.1	42.5	3300	3300		
<b>180 Ft. Boom</b>						
40	78.4	183.3	55800	55800	21600	18100
50	75.1	181.0	39200	39200	15100	12200
60	71.8	178.0	29400	29400	10900	8500
80	64.9	170.1	18300	18300	5700	3900
100	57.7	159.1	12200	12200		
120	49.8	144.4	8300	8300		
140	40.8	124.6	5700	5700		
160	29.8	96.4	3700	3700		
<b>190 Ft. Boom</b>						
40	79.0	193.5	55500	55500	12100	17800
50	75.9	191.3	38900	38900	14700	11900
60	72.8	188.5	29100	29100	10500	8100
80	66.3	181.0	18000	18000	5400	3600
100	59.6	170.8	11900	11900		
120	52.3	157.3	8000	8000		
140	44.2	139.4	5300	5300		
160	34.7	115.1	3400	3400		
<b>200 Ft. Boom</b>						
45	78.1	202.7	45700	45700	17200	14100
50	76.6	201.6	38600	38600	14400	11600
60	73.7	198.9	28800	28800	10200	7800
80	67.6	191.9	17700	17700	5000	3200
100	61.2	182.3	11600	11600		
120	54.5	169.7	7700	7700		
140	47.1	153.4	5000	5000		

Boom Rad. Ft.	Boom Ang. Deg.	Boom Peak Height Ft.	With Outriggers		Without Outriggers	
			Over Rear	Over Side	Over Rear	Over Side
<b>210 Ft. Boom</b>						
45	78.7	212.9	45500	45500	16900	13800
50	77.3	211.8	38400	38400	14000	11200
60	74.5	209.3	28500	28500	9800	7400
80	68.7	202.7	17400	17400	4700	
100	62.7	193.6	11200	11200		
120	56.4	181.9	7400	7400		
140	49.5	166.8	4700	4700		
<b>220 Ft. Boom</b>						
50	77.9	222.1	38100	38100	13700	10900
60	75.2	219.7	28200	28200	9500	7100
80	69.7	213.4	17100	17100	4300	
100	64.1	204.8	10900	10900		
120	58.1	193.8	7000	7000		
140	51.7	179.7	4400	4400		
<b>230 Ft. Boom</b>						
50	78.4	232.3	37700	37700	13100	10300
60	75.8	230.0	27800	27800	8900	6600
80	70.6	224.0	16700	16700	3800	
100	65.3	215.9	10600	10600		
120	59.6	205.5	6700	6700		
140	53.7	192.3	4000	4000		
<b>240 Ft. Boom</b>						
50	78.9	242.5	37400	37400	12700	9900
60	76.4	240.3	27500	27500	8500	6200
80	71.5	234.6	16400	16400	3500	
100	66.4	226.9	10200	10200		
120	61.0	217.0	6400	6400		
140	55.4	204.6	3700	3700		
<b>250 Ft. Boom</b>						
55	78.2	251.7	31600	31600	10100	7500
60	77.0	250.6	27300	27300	8200	5900
80	72.2	245.1	16100	16100	3100	
100	67.4	237.7	9900	9900		
120	62.3	228.3	6000	6000		
140	57.0	216.6	3300	3300		
<b>Load Ratings Below Include Jib</b>						
<b>260 Ft. Boom</b>						
55	78.6	261.9	30000 *	30000 *	9700	7200
60	77.5	260.8	27000	27000	7800	5500
80	72.9	255.6	15800	15800		
100	68.3	248.5	9600	9600		
120	63.4	239.6	5700	5700		
<b>270 Ft. Boom</b>						
55	79.1	272.1	15000 *	15000 *	9400	6900
60	78.0	271.1	15000 *	15000 *	7500	5200
80	73.6	266.0	10000 *	10000 *		
100	69.1	259.3	9300	9300		
120	64.5	250.7	5400	5400		
<b>280 Ft. Boom</b>						
60	78.4	281.3	10000 *	10000 *	7100	4800
80	74.2	276.4	7000 *	7000 *		
100	69.9	269.9	7000 *	7000 *		
120	65.5	261.7	5100	5100		

# NOTES

1. Crane load ratings in pounds as determined by boom length, radius or boom angle apply to the MC-8150 Moto-Crane only as originally manufactured, equipped and mounted on a 10 x 4 Lorain MC-8150 carrier. **THEY ARE MAXIMUM CRANE LOAD RATINGS.**

2. Operating radius is the horizontal distance from the axis of rotation before loading, to the center of the vertical hoist line or tackle with load applied. Crane load ratings are for machines with 24,100 lbs. of standard counterweight or 58,600 lbs. of maximum counterweight, and do not exceed 85% of tipping loads. Ratings identified with asterisk (\*) are based on the machine's structural competence and not on the machine stability. Weight of hooks, hook blocks, slings and all other handling devices, except hoist rope shall be considered a part of the load. Crane load ratings with outriggers are based on outrigger fully extended and set to a distance of 11 ft.-0 in. from the longitudinal axis of the carrier to the outrigger float pivot connection and wheels within the boundary of the outriggers. Crane load ratings without outriggers depend on tire capacity and condition of tires inflated to 100 P.S.I.

3. Crane load ratings are based on freely suspended loads with the machine leveled and standing on a firm, uniform supporting surface. Practical working loads depend on supporting surface, wind and other factors affecting stability, hazardous surroundings, experience of personnel and proper handling, all of which must be taken into account by the operator. Positioning or operation at radii and boom or jib lengths beyond the maximum and minimum shown, is not intended or approved.

4. The operator and other personnel should fully read and acquaint themselves with Operator's Manual furnished by the manufacturer BEFORE operating this machine, and Rules for Safe Operation of equipment should be adhered to at all times.

5. This crane and its load ratings are in accordance with Power Crane and Shovel Association Standards No. 1, SAE Crane Load Stability Test Code J-765a, SAE Method of Test for Crane Structure J-987 and Safety Code for Cranes, Derricks and Hoists, ANSI B30.5-1968.

6. All ratings are with gantry in raised position.

7. Do not exceed the "over-the-rear" capacities when lifting over a corner.

8. Use blocking under front tires or front part of carrier frame if boom and/or load is to be moved forward of front outriggers.

9. The crane, equipped with maximum counterweight, is suitable for lifting crane service only. **OUTRIGGERS MUST BE FULLY EXTENDED.**

10. "Without Outriggers" crane load ratings are for over rear and over side as indicated. If loads are to be rotated over the corners of the vehicle, the outriggers should be extended to reduce tire and axle loadings.

11. The crane, equipped with standard counterweight, is suitable for crane, dragline and clamshell service.

12. The total weight of bucket plus load must not exceed the "Without Outriggers" crane load ratings up to a maximum of 15,000 lbs. for dragline service and 18,000 lbs. for clamshell service.

13. Boom 190 ft. and over requires mast in addition to raised gantry. Mast with raised gantry may also be used with boom lengths under 190 ft.

14. More than one part hoist line must be used on any boom when lifting radius is less than 20 ft.

15. Intermediate suspension required for booms 240 ft. and over.

16. Maximum length of boom (without jib).....280 ft.

17. With gantry in raised position (25 ft. 0 in. overall height), the following maximum lengths may be carried \* over rear without outriggers:

Standard Counterweight	Maximum Counterweight
120 ft. boom without jib	160 ft. boom without jib
100 ft. boom and 30 ft. jib	150 ft. boom and 30 ft. jib
90 ft. boom and 70 ft. jib	140 ft. boom and 50 ft. jib
	130 ft. boom and 70 ft. jib

Speed restricted to 5 MPH maximum      Speed restricted to low-low gear

\* For straight back and forward movement, remove 10 ft. of boom from that specified for conditions which require maneuverability.

18. With gantry in lowered position or gantry lowered and mast pinned to the base section (13 ft. 4½ in. overall height less jib) (19 ft. 0 in. with jib), the following maximum boom lengths may be carried over the rear without outriggers (Standard Counterweight or Maximum Counterweight):

120 ft. boom without jib
90 ft. boom and 70 ft. jib
Speed restricted to 5 MPH maximum (Standard Counterweight)
Speed restricted to low-low gear (Maximum Counterweight)

19. With outriggers set and mast and gantry in raised position, the following maximum boom lengths may be raised unassisted, from the horizontal over the rear:

Standard Counterweight	Maximum Counterweight
190 ft. boom without jib	240 ft. boom without jib
170 ft. boom and 50 ft. jib	220 ft. boom and 30 ft. jib
160 ft. boom and 70 ft. jib	210 ft. boom and 60 ft. jib
	200 ft. boom and 70 ft. jib

20. Rear auxiliary outriggers are required for boom and jib combinations longer than those shown in note 19.

Standard Counterweight	Maximum Counterweight
250 ft. boom without jib	280 ft. boom without jib
230 ft. boom and 30 ft. jib	270 ft. boom and 60 ft. jib
220 ft. boom and 50 ft. jib	260 ft. boom and 70 ft. jib
210 ft. boom and 70 ft. jib	

21. Rear auxiliary outriggers and 16,000 lbs. bumper counterweight are required for boom and jib combinations longer than those shown in note 20.

Maximum Counterweight
280 ft. boom and 70 ft. jib
280 ft. boom and 60 ft. jib
270 ft. boom and 70 ft. jib

22. When working with boom lengths that require auxiliary outriggers for erection, do not exceed the radii as shown on crane load rating chart.

23. The rear hinged auxiliary outrigger beams are to be used only when raising or lowering long booms. They are never to be used or placed under load during hoisting operations.

24. Hoist Cable Reeving:

Number of Parts of Hoist Lines	1	2	3	4	5	6	7	8
Maximum Loads (Lbs.)	25000	50000	75000	100000	125000	150000	175000	191600

Use 1 in. diameter hoist cable (6 x 25, IWRC) of 44.9 tons breaking strength.

25. Crane load ratings are based on the use of dual pairs of 1¼ in. diameter swaged pendants (6 x 25, IWRC) of 87 tons breaking strength and 16 parts of ¾ in. diameter derricking cable (6 x 30G, IWRC) of 28.1 tons breaking strength.

## NOTES FOR JIB APPLICATION

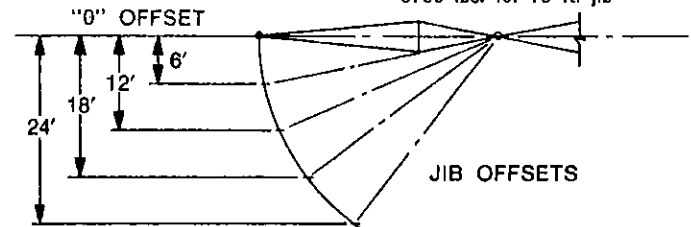
1. Jibs may be used straight or offset. 30 ft. jib is of two-piece design and may be extended to 70 ft. with center sections. The following data apply:

Jib Lgh.	Radius	Max. Lgh. of Boom Incl. Jib		Jib Offset and Max. Load Ratings (Lbs.)					Weight of Jib and Backlays
		Std. Cwt.	Max. Cwt.	0 Ft.	6 Ft.	12 Ft.	18 Ft.	24 Ft.	
30 Ft.	Up thru 70' Over 70'	260 Ft.	310 Ft.	30000 20000	30000 20000	30000 20000			2230 Lbs.
40 Ft.	Up thru 70' Over 70'	260 Ft.	320 Ft.	22000 14000	22000 14000	22000 14000	16000 10000		2600 Lbs.
50 Ft.	Up thru 70' Over 70'	270 Ft.	330 Ft.	15000 10000	15000 10000	15000 10000	14000 9000	12000 8000	2810 Lbs.
60 Ft.	Up thru 70' Over 70'	270 Ft.	340 Ft.	12000 8000	12000 8000	11000 7500	10000 7000	9000 6000	3150 Lbs.
70 Ft.	Up thru 70' Over 70'	280 Ft.	350 Ft.	10000 7000	9000 6500	8000 6000	7000 5500	6000 4500	3460 Lbs.

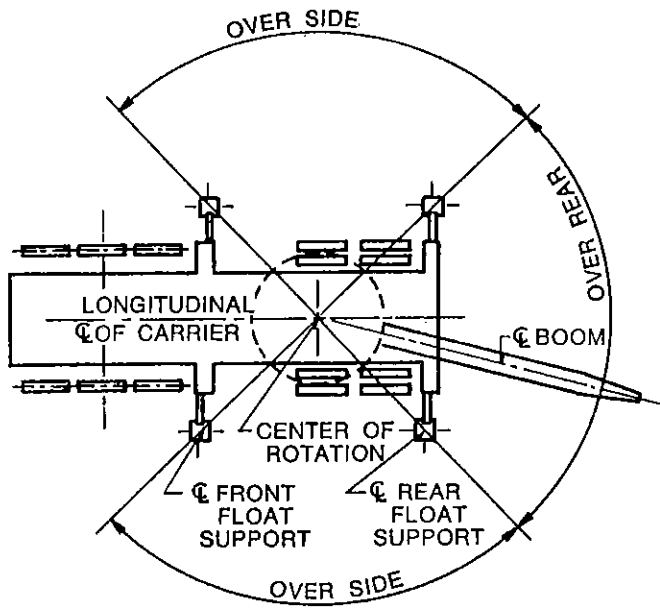
2. Load ratings for jibs are the same as for the boom length which is equal to the length of main boom plus jib but in no case may they exceed the capacities shown above.

3. With jib installed, load ratings over main boom head must be reduced as follows:

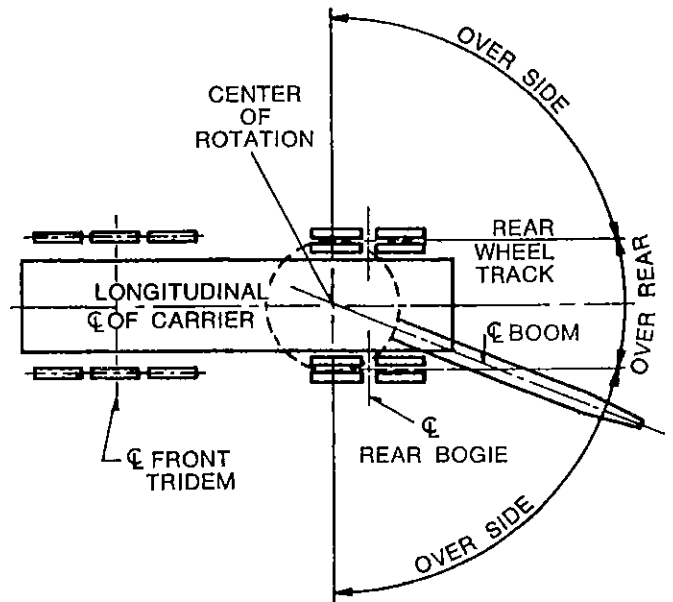
2320 lbs. for 30 ft. jib	3020 lbs. for 50 ft. jib
2750 lbs. for 40 ft. jib	3450 lbs. for 60 ft. jib
	3750 lbs. for 70 ft. jib



# CRANE WORKING AREAS



Carrier With Outriggers



Carrier Without Outriggers

We reserve the right to amend these specifications at any time without notice. The only warranty applicable is our standard written warranty. We Make No Other Warranty, Expressed Or Implied.



**Koehring**  
**Lorain Division**  
 Chattanooga, Tennessee 37405