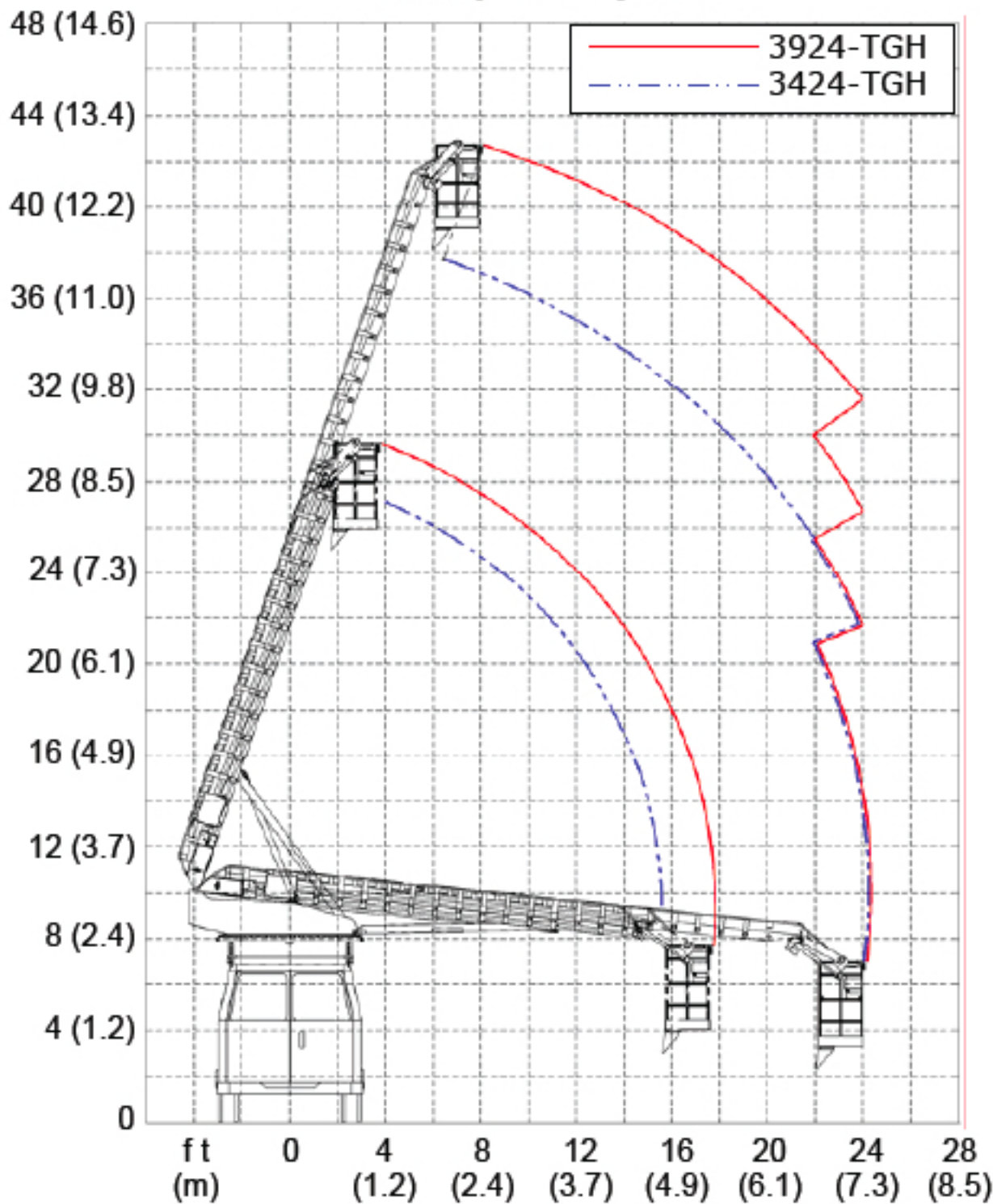


## REACH DIAGRAM



| Models                        | 3924-TGH                   | 3424-TGH                   |
|-------------------------------|----------------------------|----------------------------|
| Working height (typical) a    | 45ft (13.7m)               | 40ft (12.2m)               |
| Height to bottom of bucket a  | 39ft (11.9m)               | 34ft (10.4m)               |
| Horizontal reach              | 24ft (7.3m)                | 24ft (7.3m)                |
| Stowed travel height a        | 11.3ft (3.45m)             | 11.3ft (3.45m)             |
| Bucket capacity               | 350lb (159kg) <sup>b</sup> | 350lb (159kg) <sup>b</sup> |
| Approx. unit weight c         | 1200lb (544kg)             | 1170lb (531kg)             |
| 360 deg. continuous rotation  | Yes                        | Yes                        |
| Front bumper bucket entry     | Yes                        | Yes                        |
| Ground level bucket entry     | Yes                        | Yes                        |
| Max. acceptable ground slope  | 5 deg.                     | 5 deg.                     |
| Minimum Vehicle Requirements: |                            |                            |
| Van                           | 1 ton                      | 1 ton                      |
| Truck                         | 1 ton ext. (8ft box)       | 1 ton (8ft box)            |

a Based on 80° Cab Height

b 300 lb capacity when requiring compliance with CAN/CSA C225-M88

cWeight does not include installation components which vary by vehicle type