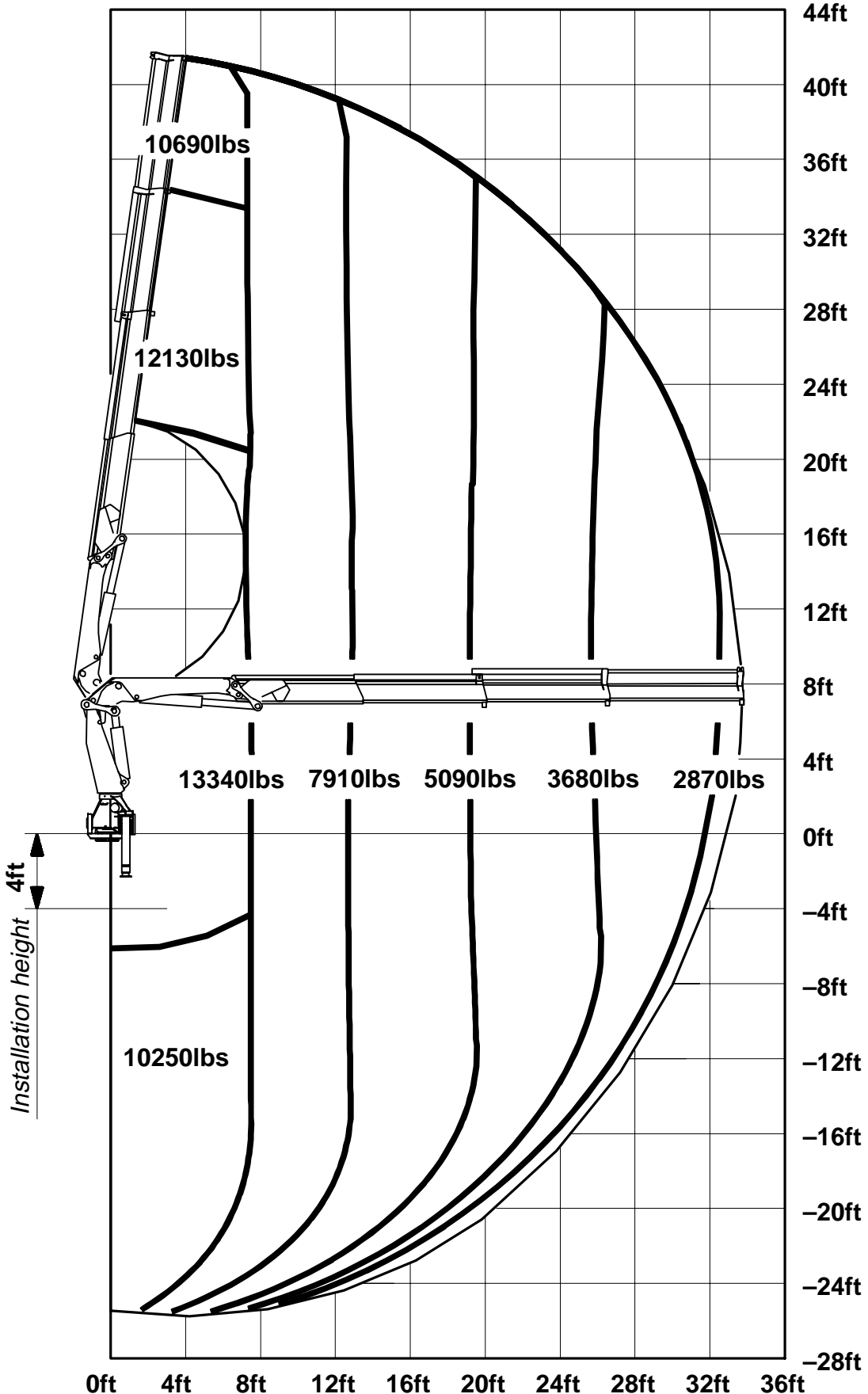


Overall height = vertical outreach + approx. 4ft installation height



Subject to change, production tolerances have to be taken into account.