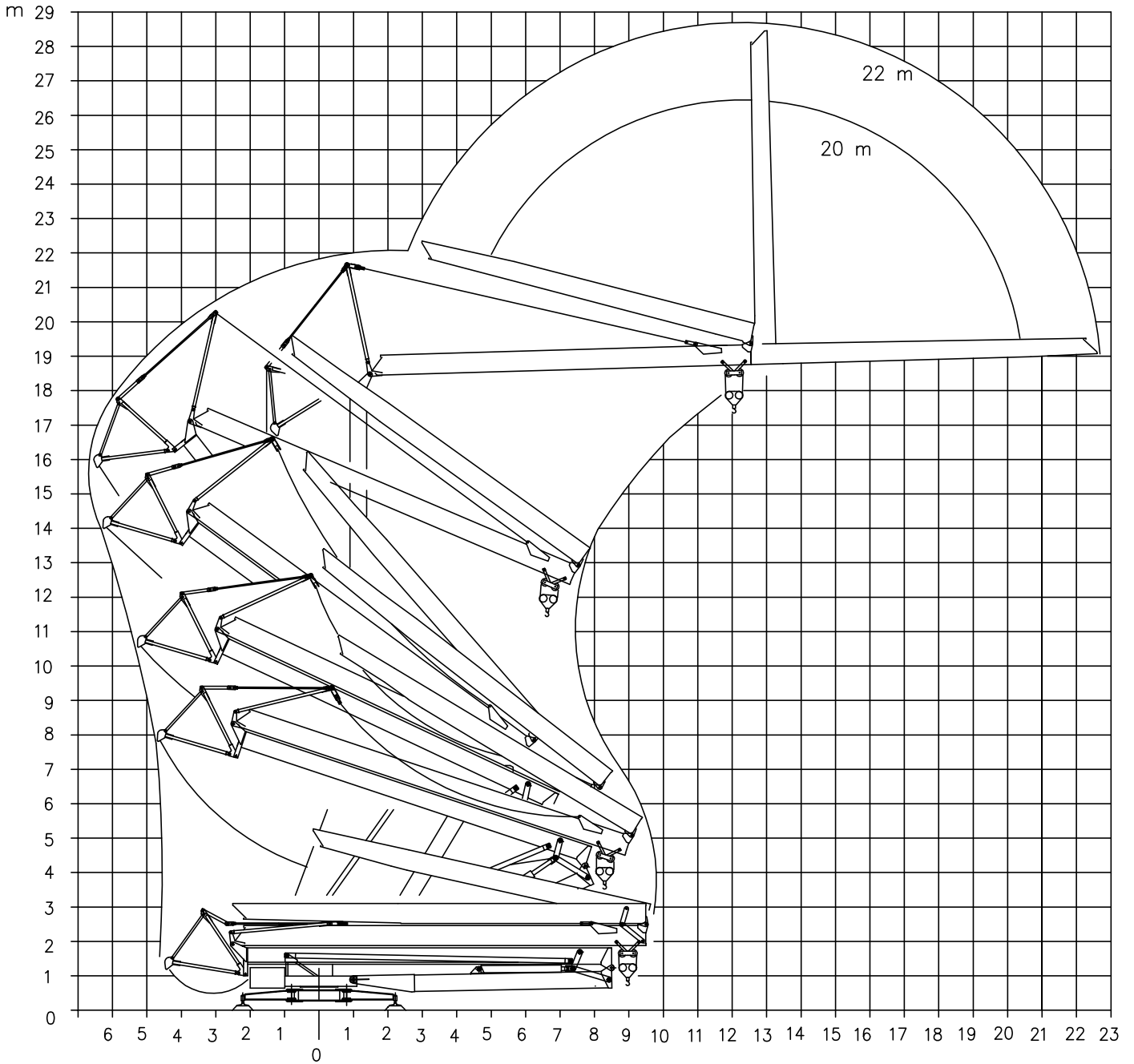


○ MONOTRIPHASE

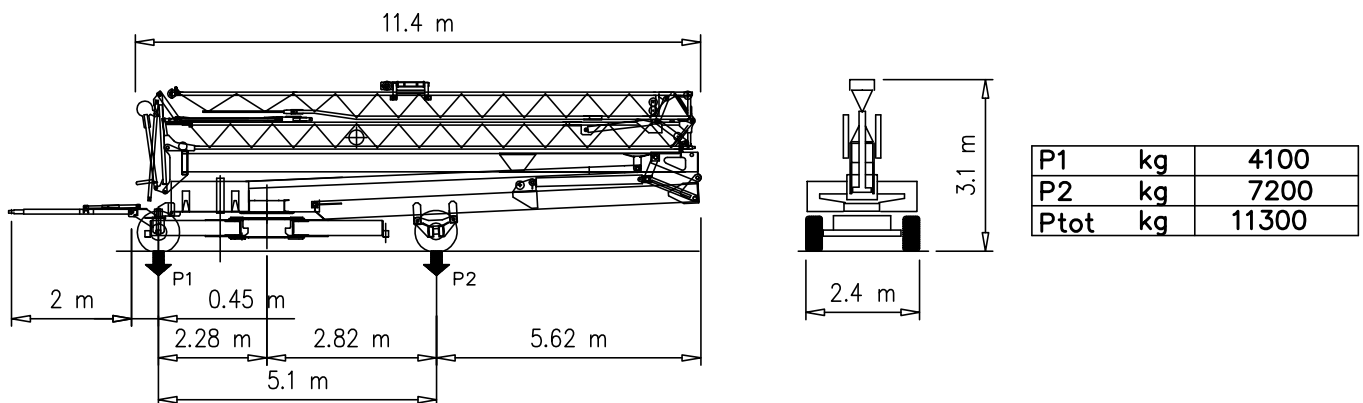
☒ 230/400 V

GRU A MONTAGGIO RAPIDO  
 GRUE A MONTAGE RAPIDE  
 GRUA DE RAPIDO MONTAJE  
 GRUA DE MONTAGEM RAPIDA  
 QUICK SELFRECTING CRANE  
 HYDRAULISCHER SCHNELLMONTAGEKRAN

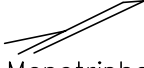


Montaggio – Montage – Erection – Montage – Montaje – Montagem



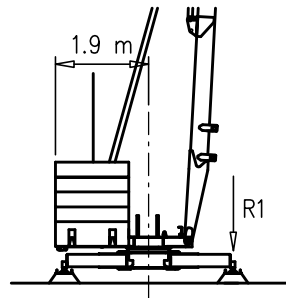
Trasporto – Transport – Transport – Transport – Transporte



Curve di carico – Courbes de charges – Load diagrams – LastKurven – Curvas de cargas

 Monotriphase	☒ 400 V	3	21.5	m						
	☒ 230/400V	500	500	kg						
 Monotriphase	☒ 400 V	3	10.5	12	14	16	18	20	22	m
		1500	1500	1270	1050	890	770	670	600	kg
	☒ 230/400V	3	11.3	12	14	16	18	20	m	
		1500	1500	1400	1160	980	850	750	kg	
 Monotriphase	☒ 400 V	3	11.3	m						
	☒ 230/400V	1500	1500	kg						

Reazioni – Reactions – Réactions – Eckdrücke – Reacciones – Reacções



R1 ● 10.5 t ■ 6.9 t  
 ▲ 6.8 t ○ 10.6 t

- |                               |                                       |                                      |
|-------------------------------|---------------------------------------|--------------------------------------|
| ● Reazioni in servizio        | ● Reactions in service                | ● Réactions en service               |
| ■ Reazioni fuori servizio     | ■ Reactions out of service            | ■ Réactions hors service             |
| ▲ Peso della gru senza assali | ▲ Dead weight without transport axles | ▲ Poids de construction sans essieux |
| ○ Peso zavorra rotante        | ○ Ballast weight                      | ○ Poids du lest                      |
- 
- |  |  |  |
|--|--|--|
| ● Reaktionskräfte in betrieb               | ● Reacciones en servicio                 | ● Em serviço                           |
| ■ Reaktionskräfte außer betrieb            | ■ Reacciones fuera de servicio           | ■ Fora de serviço                      |
| ▲ Konstruktionsgewicht ohne transportachse | ▲ Peso de la grua sin tren de transporte | ▲ Peso de grua sem carro de transporte |
| ○ Ballastgewicht                           | ○ Peso de lastre                         | ○ Peso de lastre rotativo              |

Meccanismi – Mechanisms – Mécanismes – Antriebe – Mecanismos – Montagem

V5,5.32 230 Volt Sollevamento Hoisting Levage Heben Elevaciõn Elevaçao					 m/min vs t	 m/min vs t	V5,5.32 4 kW (5.5 kW) 2-8 kVA 
	m/min	4	11	25			
	t	1.5	1.5	0.75			

V5,5.32 400 Volt Sollevamento Hoisting Levage Heben Elevaciõn Elevaçao					 m/min vs t	 m/min vs t	V5,5.32 4 kW (5.5 kW) 8 kVA 
	m/min	4	11	30			
	t	1.5	1.5	0.75			

Carrello Trolleying Distribution Katzfahren Distribuciõn Distribuiçao		1a	0 → 30	m/min	1.85 kW (2.5 Hp)
		1a			
		2a			
Rotazione Slewing Orientation Schwenken Orientaciõn Rotaçao		1a	0 → 0.8	giri/min tr/min rp/min	1.1 kW (1.5 Hp)
		2a			
		3a			

Rete elettrica – Réseau – Mains supply – Netzstrom – Red – Rede electrica	230/400V – 50 Hz
---	------------------

Potenza elettrica necessaria – Puissance électrique nécessaire Necessary electric power – Anschlusswert – Potencia electrica necesaria	1/3PH 2-8 kVA
---	---------------

**AFM Gru** FMgru s.r.l.  
 via Emilia 11-29010 Pontenure PC ITALY  
 tel. 0523/510446 ric.aut. fax 0523/510365  
 www.fmgru.it e-mail: info@fmgru.com

DIN 15018 2000/14/CE
-------------------------



Documento commerciale non contrattuale  
Per tutte le informazioni tecniche riferirsi  
alle corrispondenti istruzioni

Unverbindliches Vertriebsdokument.  
Für technische Informationen, siehe die  
entsprechenden Anweisungen.

This commercial document is not legally  
binding. For any technical information, please  
refer to the corresponding instructions.

Documento comercial no contractual  
Para cualquier información técnica,  
ver la noticia correspondiente.

Code: 15ICA37B20A0			
Ed.	Data	Rev	Data
1	05.06.03	1	17.03.10