

**AO-02343**

L2001R Short Tower

**AO-02344**

L2000R Tall Tower

**AO-02346**

L2001 Short Tower

**AO-02347**

L2000 Tall Tower



Heavy-duty industrial grade contactors.  
No automotive-grade solenoids used.

Power rotation utilizes robust, all steel  
turntable bearing with self-locking worm  
gear final drive.

Boom positions at 0°, 35°, and 55° for  
flexibility needed to adapt to any job.

Industrial planetary hoist provides fast  
line speeds, power efficiency and  
rugged dependability.

**Thaintainer**

**2001R - 2000R CRANES**

# specifications

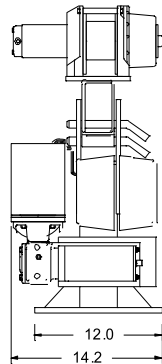
Maintainer 2000R & 2001R cranes come complete with 25' power cable, a crane ground cable, a 225 amp fuse, a 4' frame grounding cable, 16' remote control pendant, mounting bolts and owner's manual. 600 amp CCA battery and 100 amp alternator recommended. Stifflegs recommended for most installations

<b>MODELS</b>	<b>AO-02343</b>	<b>L2001R Short Tower</b> (elect. 12 volt, Power Rotate) 2,000 lbs. max. cap (6500 ft*lb) Manual extend from 4' to 6' 6", 16 ft. tethered remote, crane is painted standard powder-coat white (consult factory for other colors), installation included.
	<b>AO-02344</b>	<b>L2000R Tall Tower</b> (elect. 12 volt, Power Rotate) 2000 lbs. max. cap. (6500 ft* lb) Manual extend from 4' to 6' 6", 16 ft. tethered remote, crane is painted standard powder-coat white (consult factory for other colors), installation included.
	<b>AO-02346</b>	<b>L2001 Short Tower</b> (elect. 12 volt, Manual Rotate) 2000 lbs. max. cap. (8000 ft* lb) Manual extend from 4' to 6' 6", 16 ft. tethered remote, crane is painted standard powder-coat white (consult factory for other colors), installation included.
	<b>AO-02347</b>	<b>L2000 Tall Tower</b> (elect. 12 volt, Manual Rotate) 2000 lbs. max. cap. (8000 ft* lb) Manual extend from 4' to 6' 6", 16 ft. tethered remote, crane is painted standard powder-coat white (consult factory for other colors), installation included.

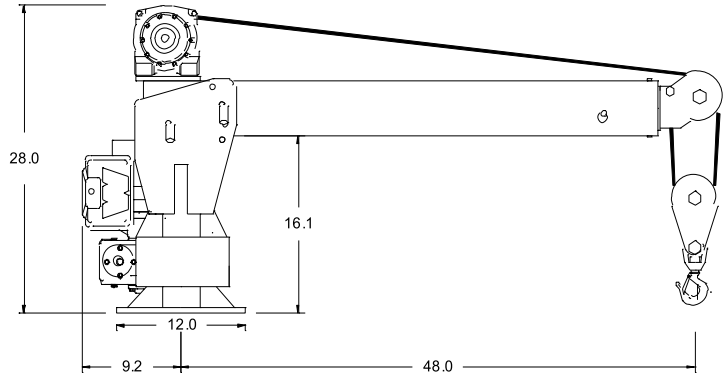
### Maximum Lifting Capacities

2000 lbs	2'4"
2000 lbs	2'10"
1857 lbs	3'6"
1625 lbs	4'0"
1500 lbs	4'4"
1259 lbs	5'2"
1181 lbs	5'6"
1040 lbs	6'3"
1000 lbs	6'6"

- Crane Base Plate: 14" x 16"
- Bolt Pattern: 14 3/4" x 11 1/2"



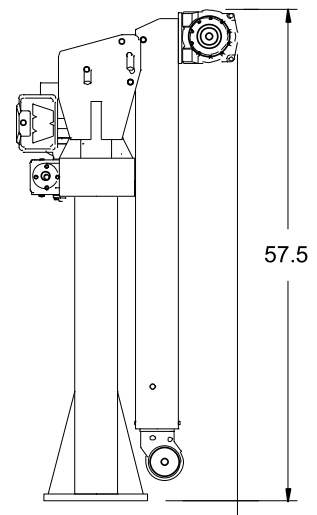
L2001R From Rear



L2001R From Side

### FEATURES

- Boom extends manually from 4' to 6'6".
- Boom locks in 4 positions for lifting: 0°, 15°, 35°, and 55°.
- Boom folds down when not in use on 2000R models.
- Smooth, 12 volt planetary hoist with low maintenance gearbox, high reliability and efficient operation.
- Hoist drum and rope sheaves meet ANSI standards (18 times wire rope diameter).
- 28' x 3/16" wire rope. 30 feet per minute hoist line speed.
- Industrial grade motor contactors. No automotive type solenoids.
- Load block with safety latch and swivel for loads over 1200 pounds.
- All steel worm gear rotation drive is mounted on steel slewing ring crane bearing and provides power rotation.
- Powder coat finish for high gloss and durability.
- 16' non-metallic remote control pendant controls hoisting and rotation.
- Polymer wire rope pulleys are permanently lubricated to extend life and reduce wire rope wear.
- Mounting bolts provided (4 ea. 3/4" dia. Gr. 8).



L2000R From Rear



**MAINTAINER CORPORATION OF IOWA, INC.**  
 1701 S. 2nd Avenue Sheldon, Iowa 51201  
 Ph: 800-831-8588 Fax: 712-324-3526 www.maintainer.com